

2h

SAFADO / MARLEEN

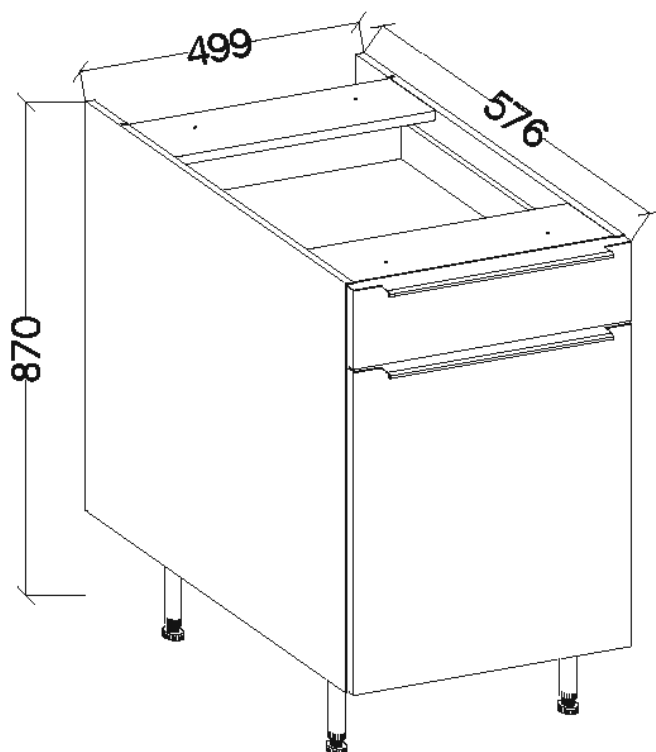
84-170-...






84-176-...





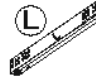

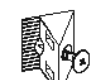
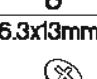


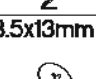
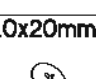
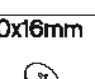
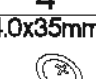
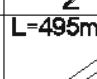
84-17A-...



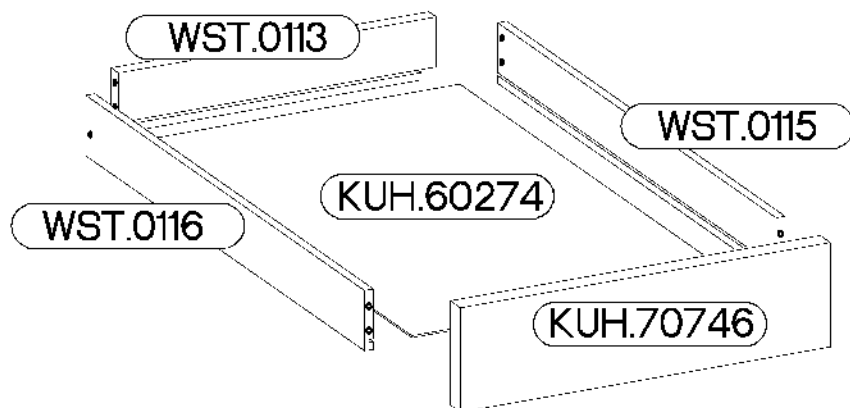
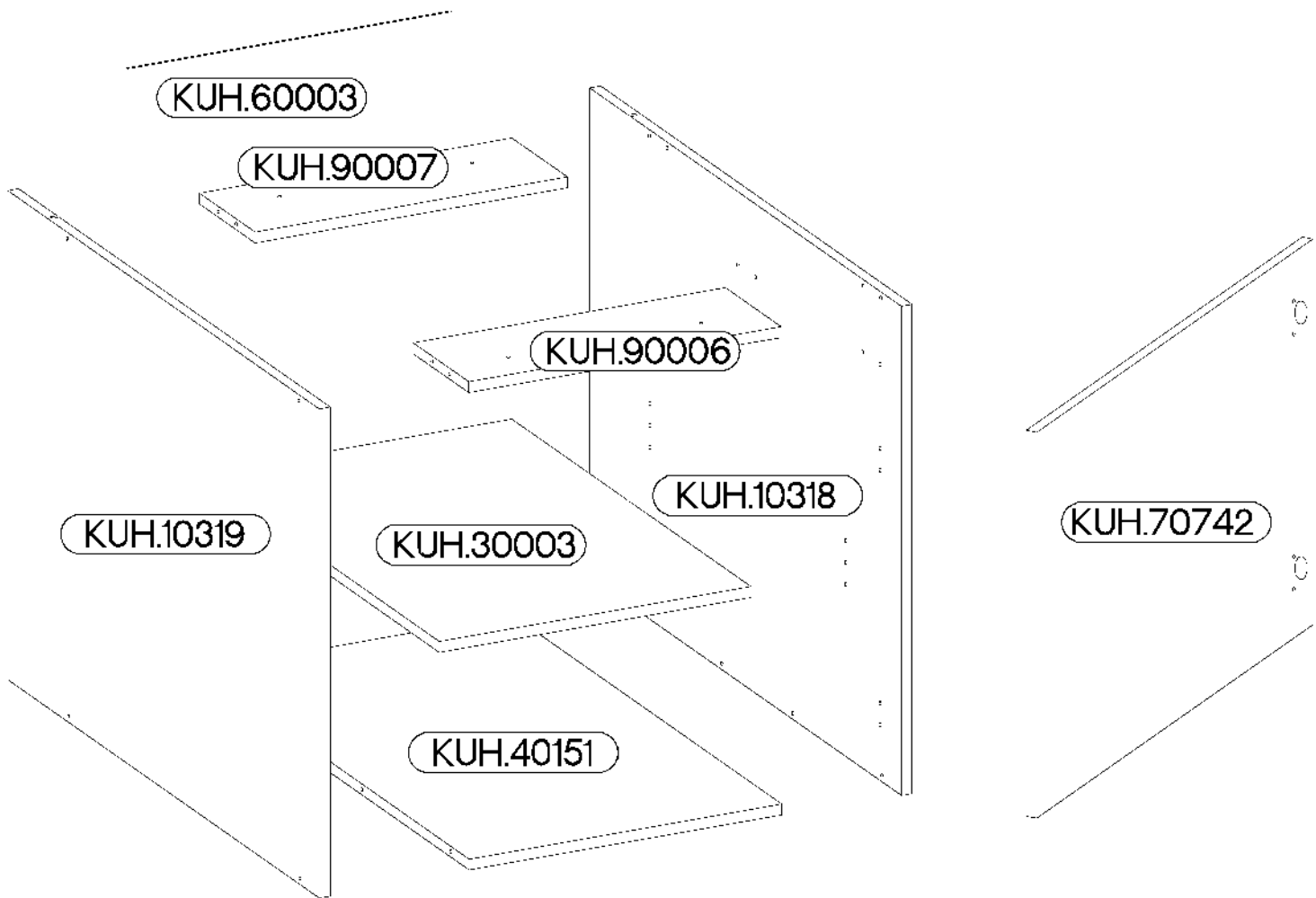
respekta®



 A	 B	 B2	 C5	 D2
12	8	2	2	2

 E1	 F15	 F16	 HG L=450mm	 I1	 J3	 L	
8	4	6	2	1	4	2	
 M2	 O	 O1	 P5	 P7	 P11	 R3	 SL50
8	1	1	32	8-10	6	4	2

ISM-KUH-01600


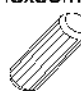



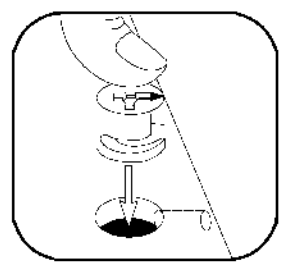
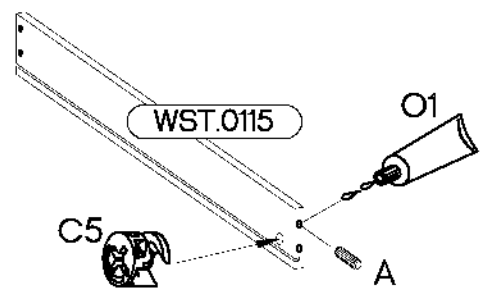
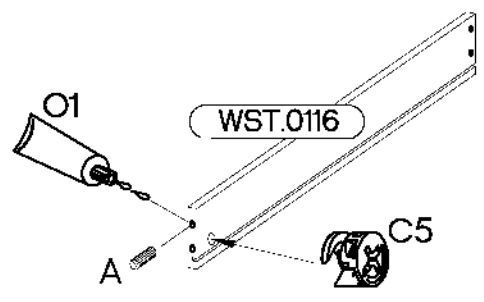
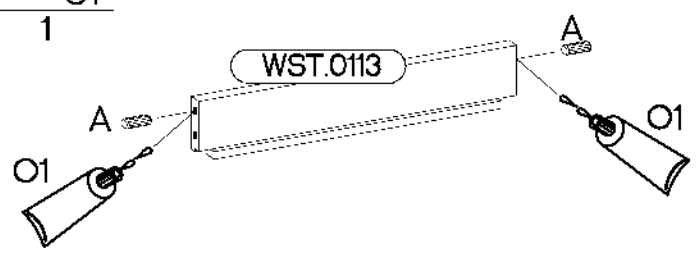
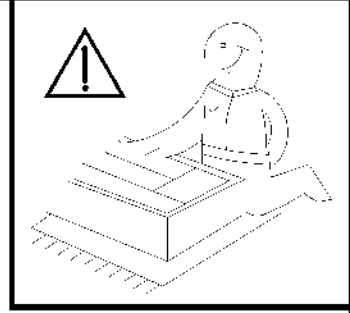
Colli	Spare Part	Dimension
Colli 1/6	KUH.10318	720x560x16
	KUH.10319	720x560x16
	KUH.30003	466x430x16
	KUH.40151	467x485x16
	KUH.60003	713x485x2,5
	KUH.60274	448x437x2,5
	KUH.70742	568x496x16
	KUH.70746	138x496x16
	KUH.90006	467x100x16
	KUH.90007	467x100x16
	WST.0113	427x80x12
	WST.0115	450x80x12
	WST.0116	450x80x12



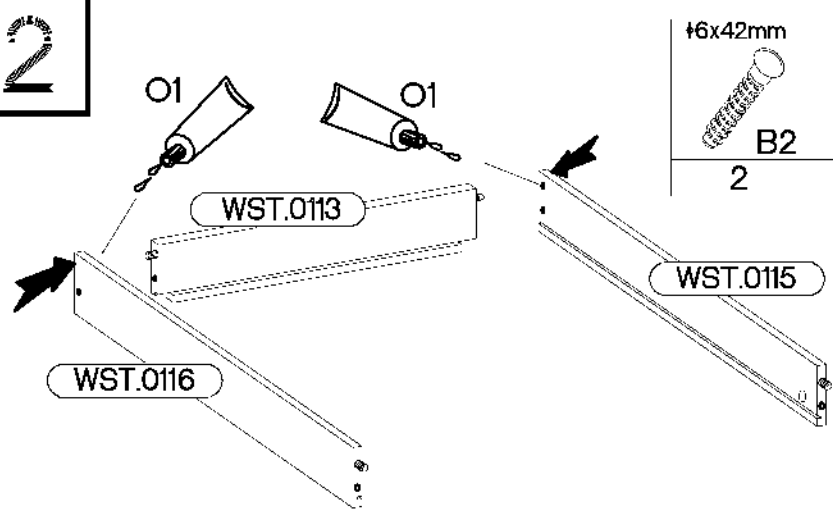
KUH.30003



KUH.40151

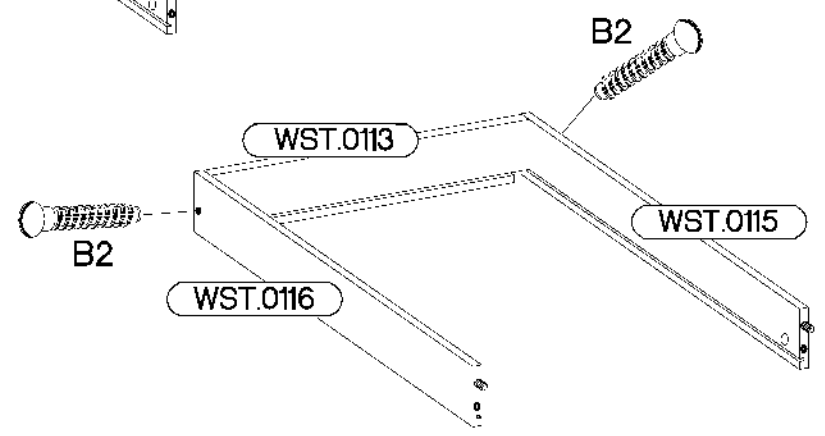
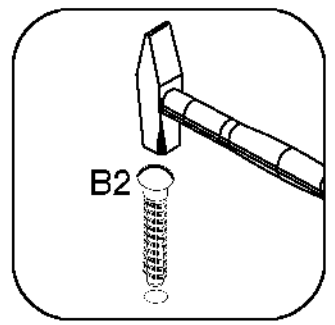
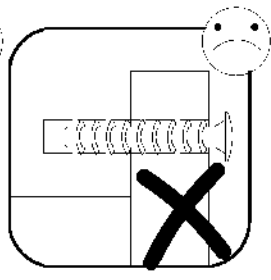
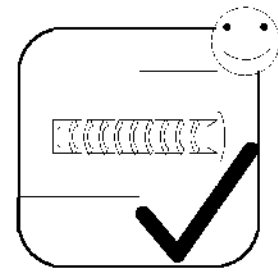
#12/10mm  C5 2	#8x30mm  A 4	 O1 1
---	---	---




2

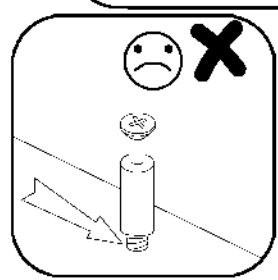
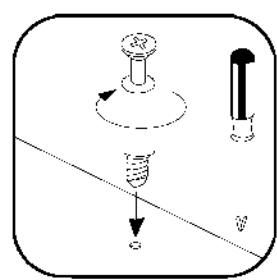
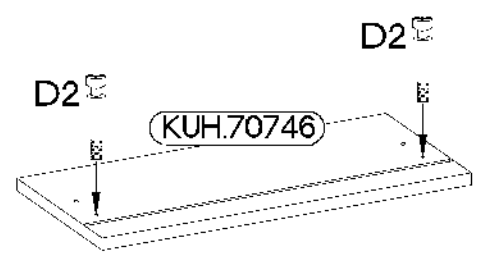


#6x42mm  B2 2	 O1 1
---	--

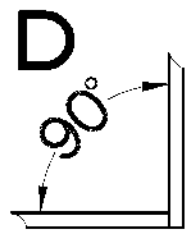
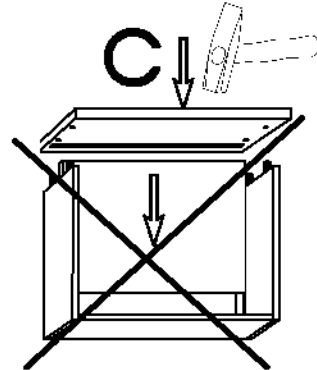
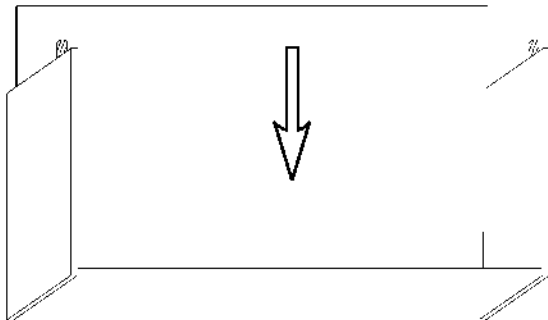
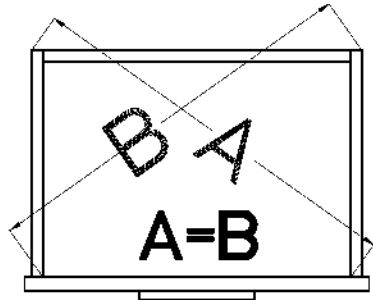
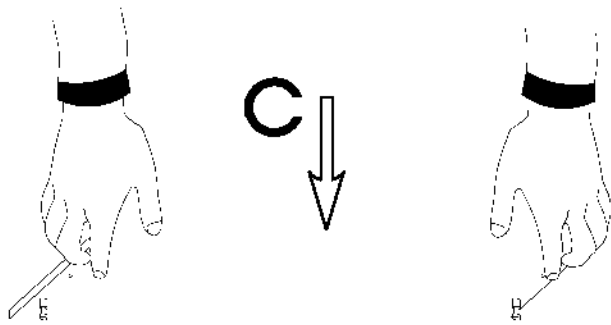
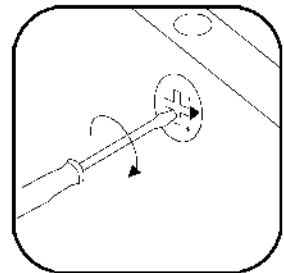
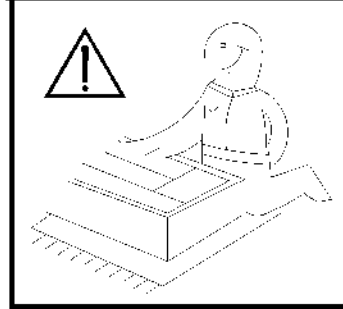
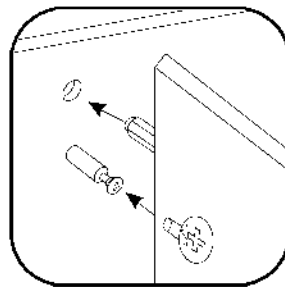
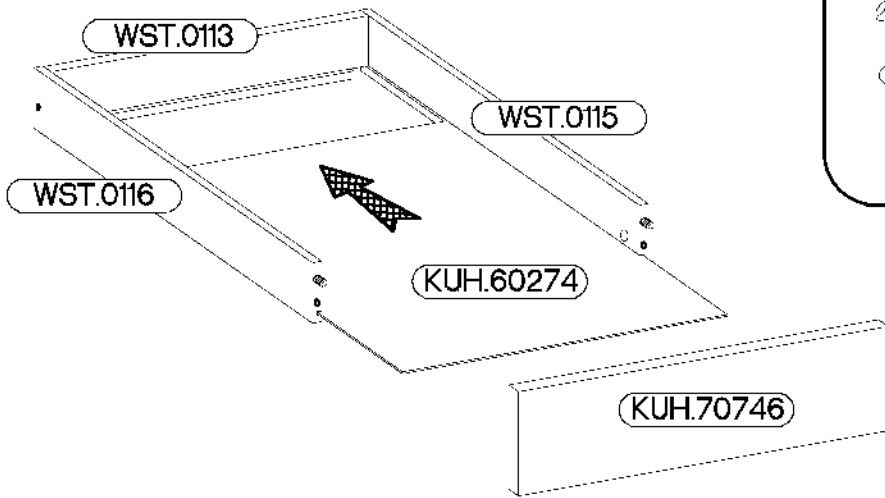


3

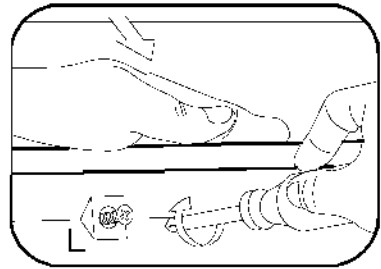
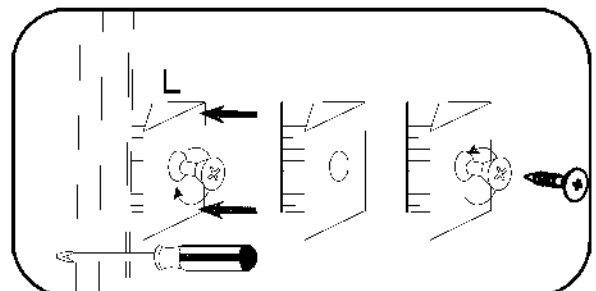
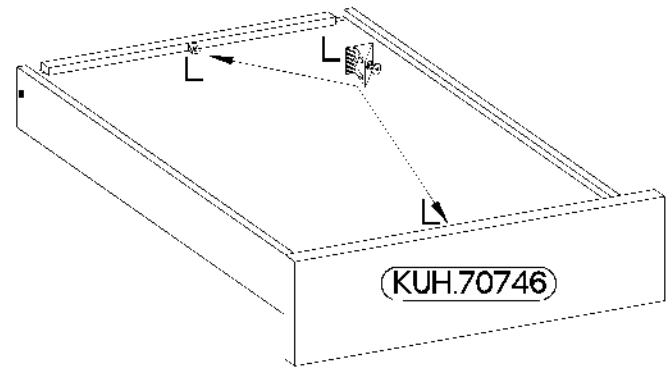
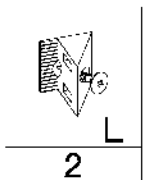
L=20mm  D2 2
--



4

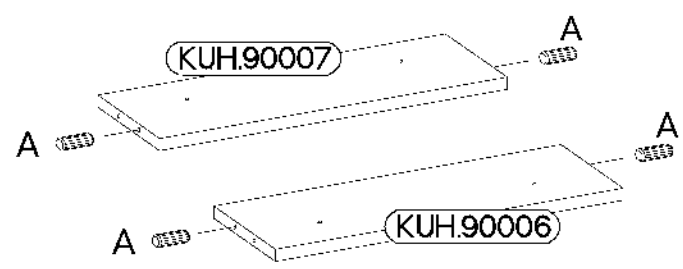
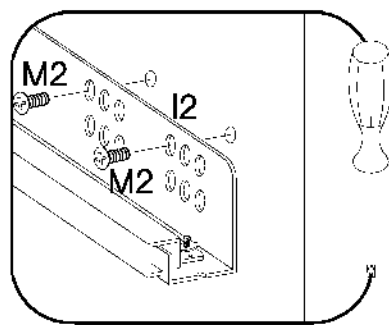
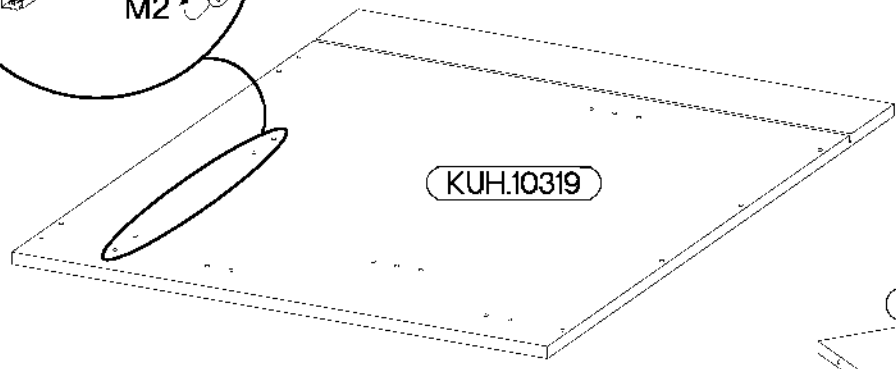
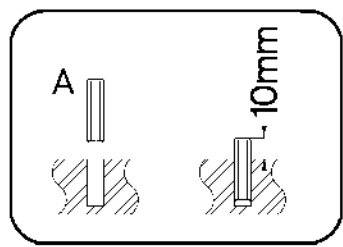
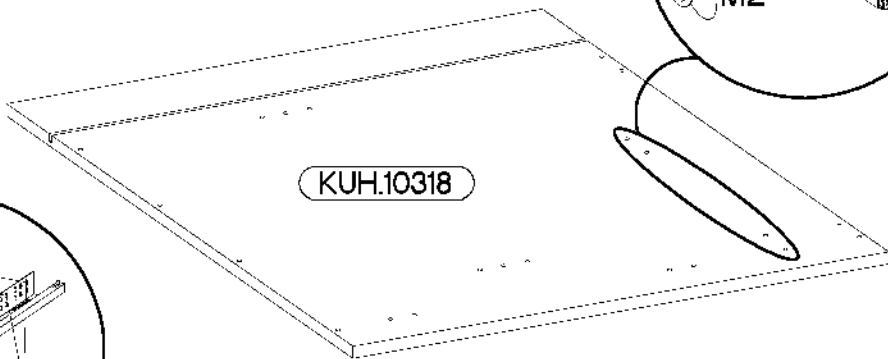
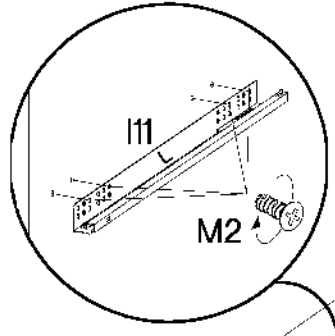
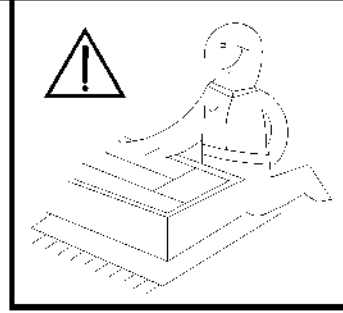
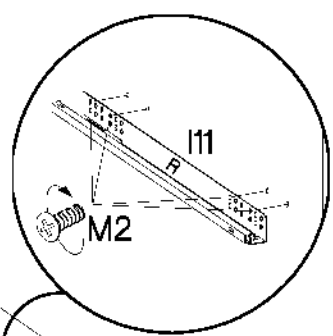


5



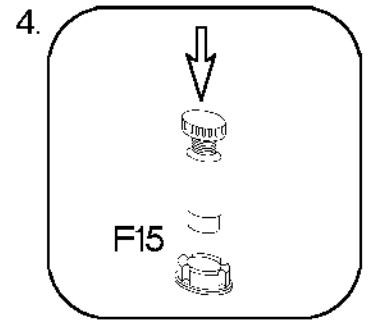
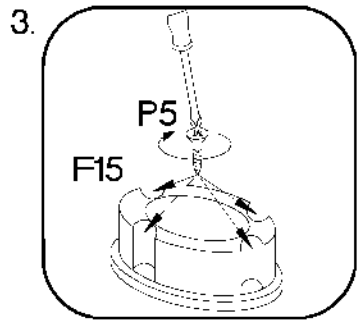
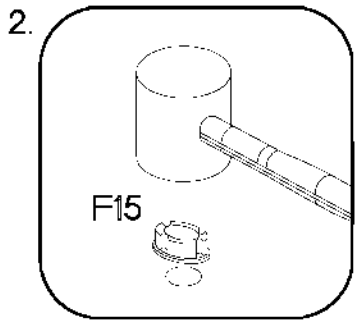
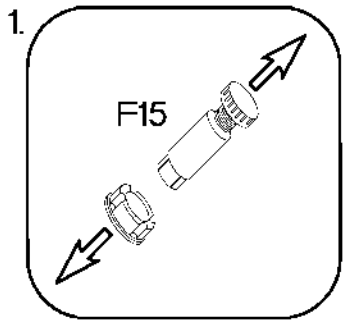
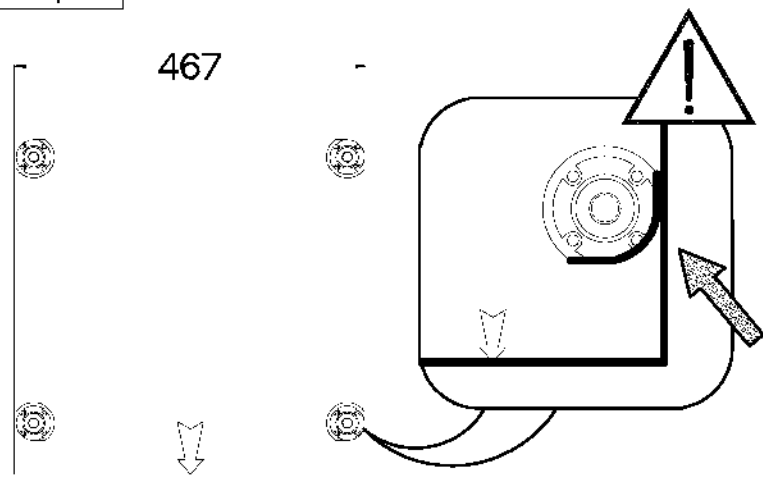
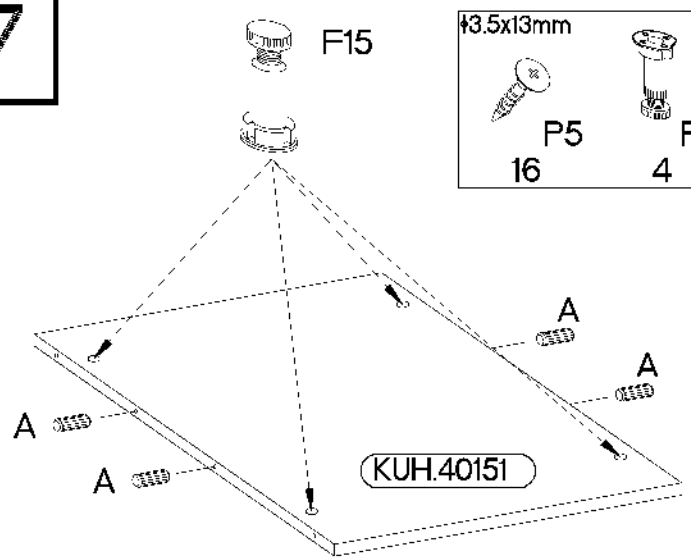
6

- 4 $\varnothing 8 \times 30 \text{mm}$
- 1 L=450mm
- 1 I11
- 8 $\varnothing 6.3 \times 13 \text{mm}$ M2



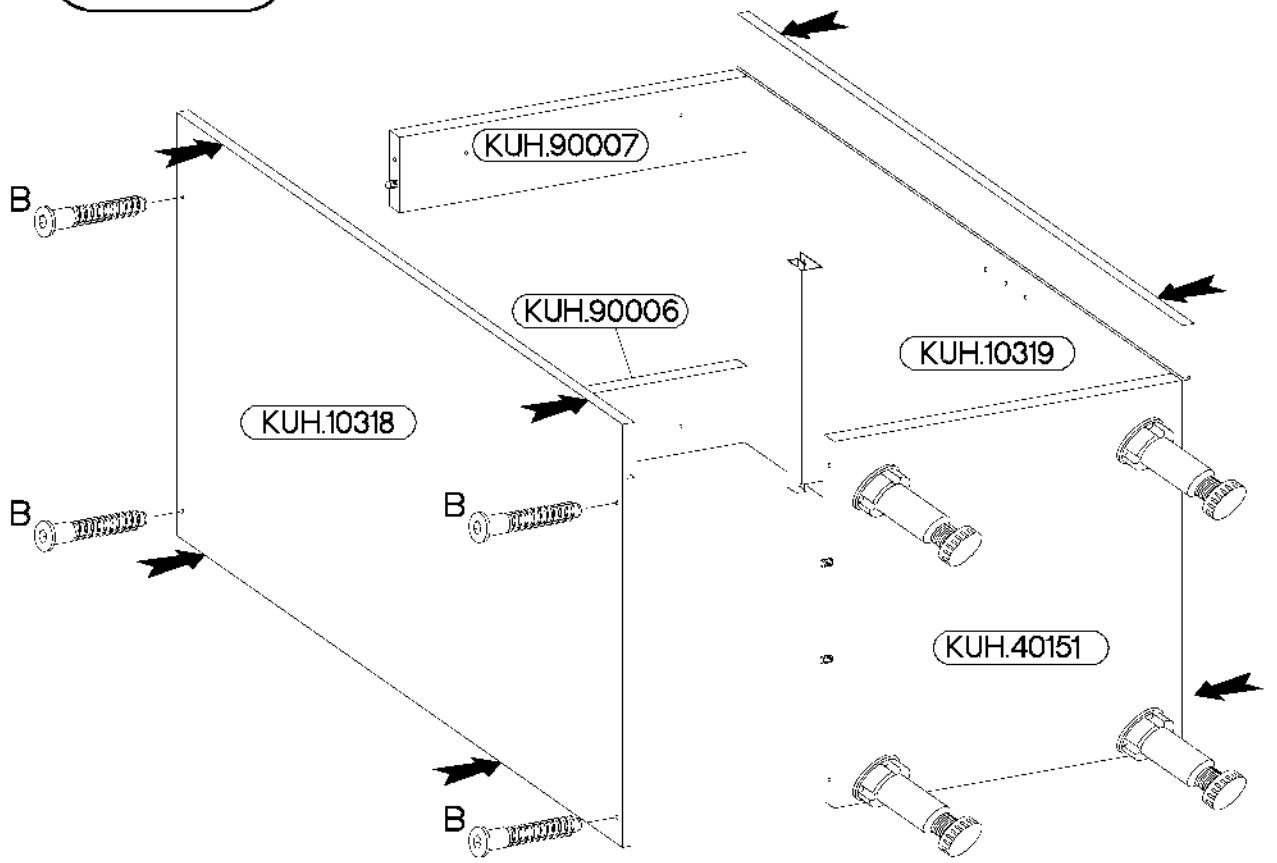
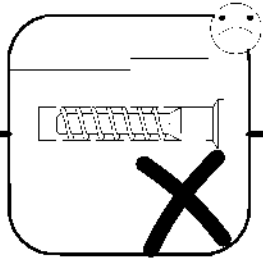
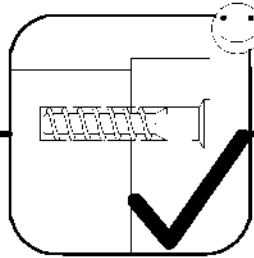
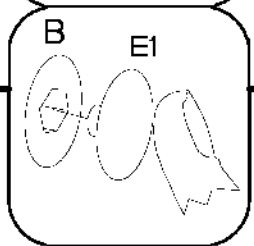
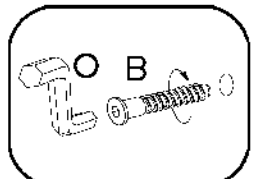
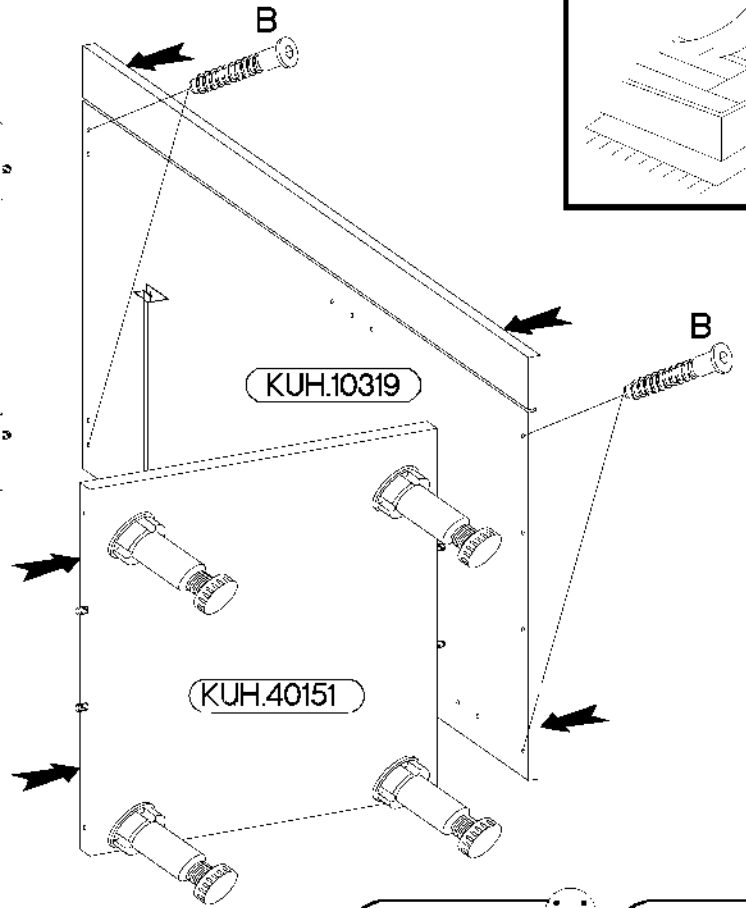
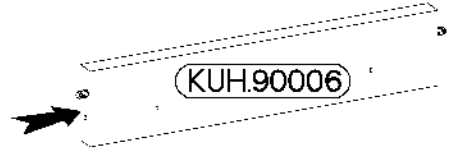
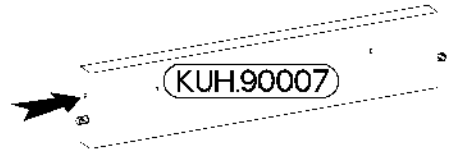
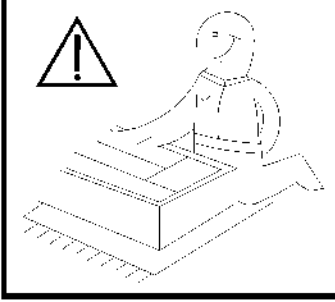
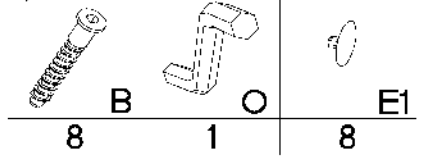
7

- 16 $\varnothing 3.5 \times 13 \text{mm}$ P5
- 4 F15
- 4 $\varnothing 8 \times 30 \text{mm}$ A





6,4 x 50mm

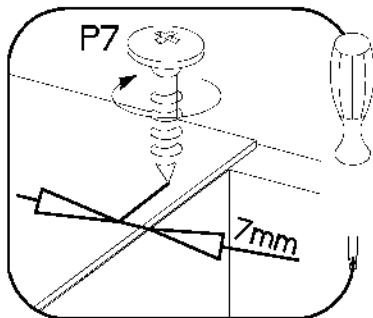
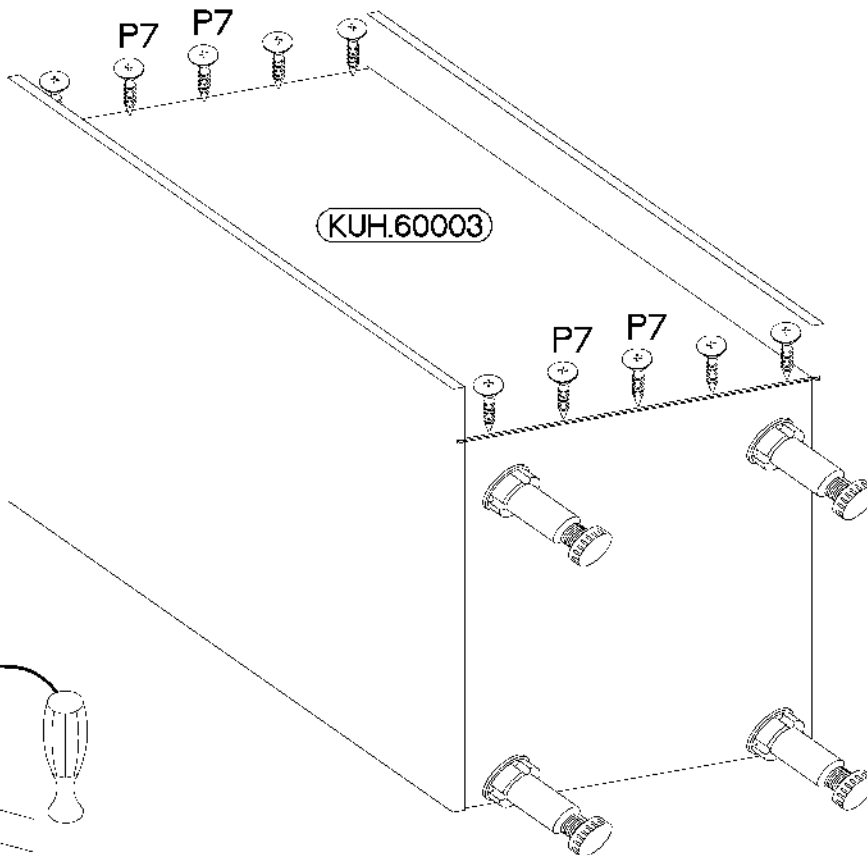
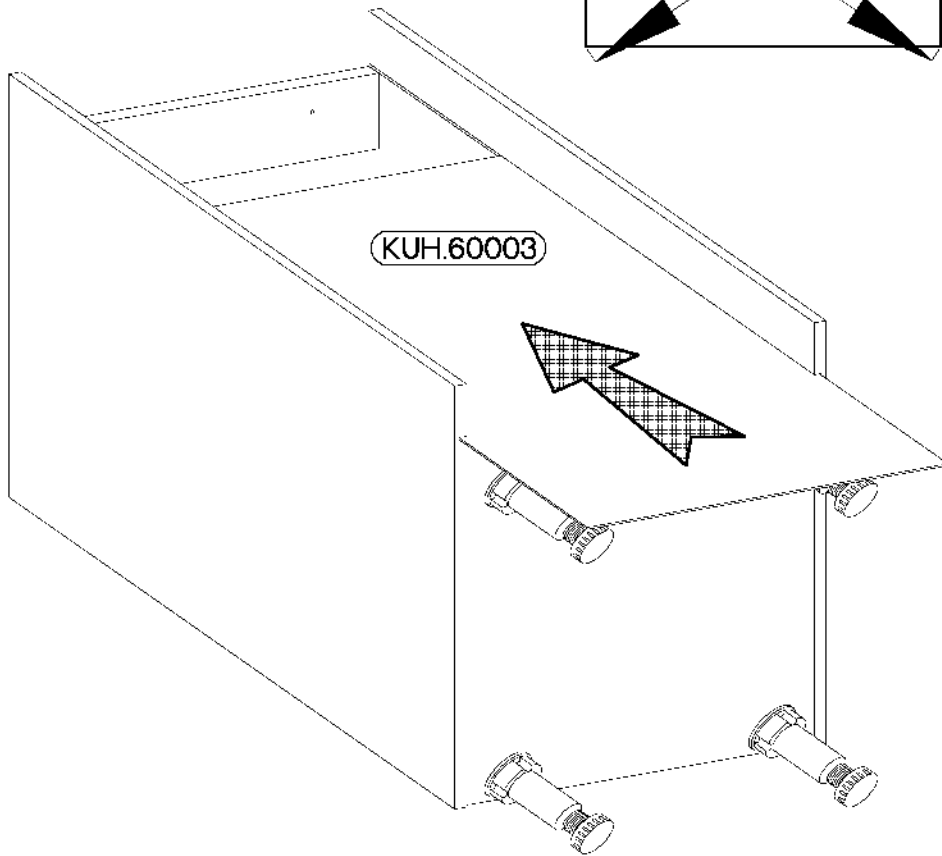
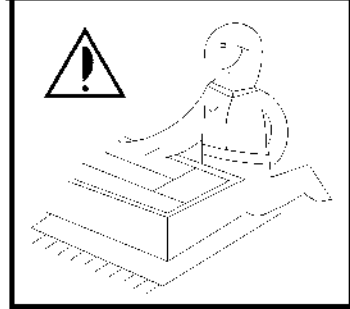
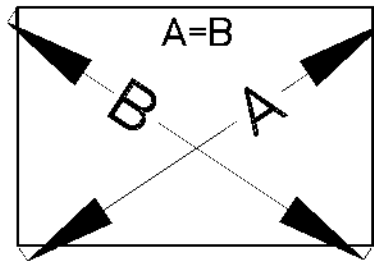


3.0x20mm



P7

8-10



1

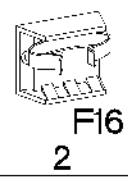
4.0x35mm 3.5x13mm



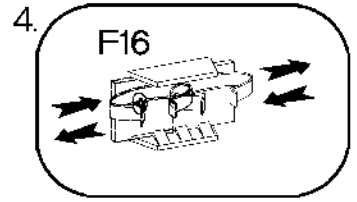
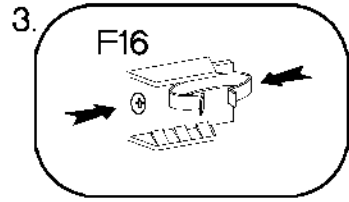
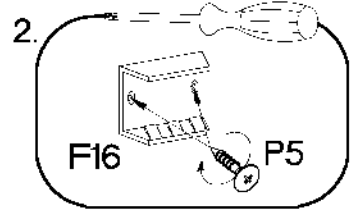
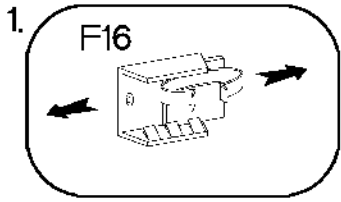
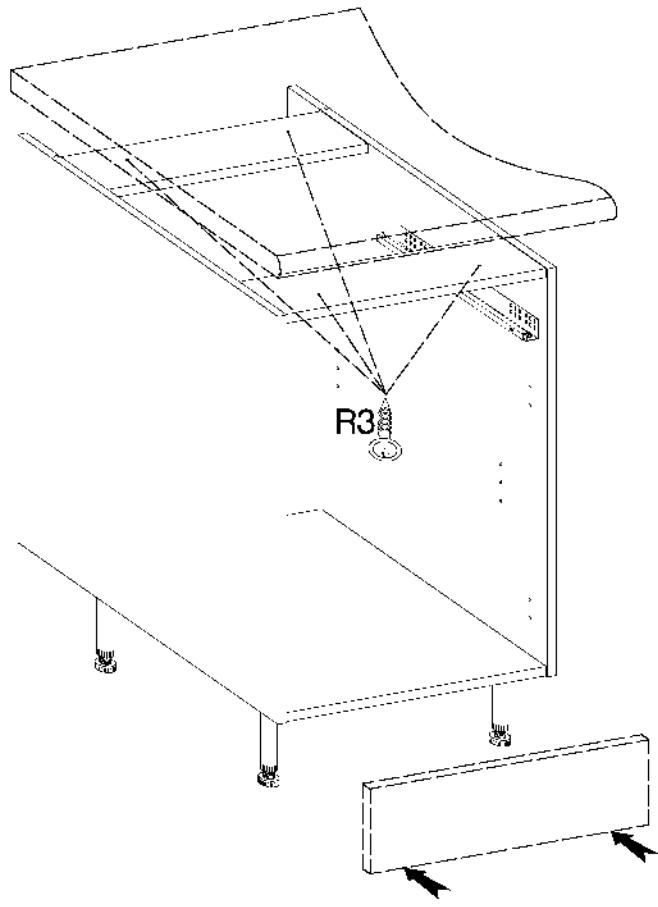
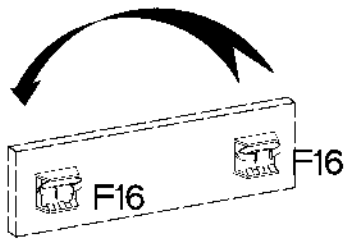
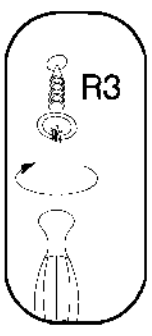
R3
4



P5
4



F16
2

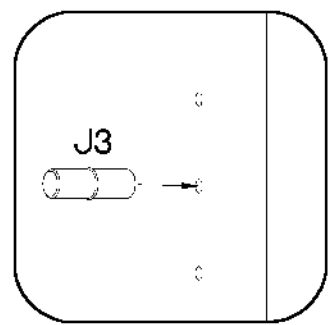
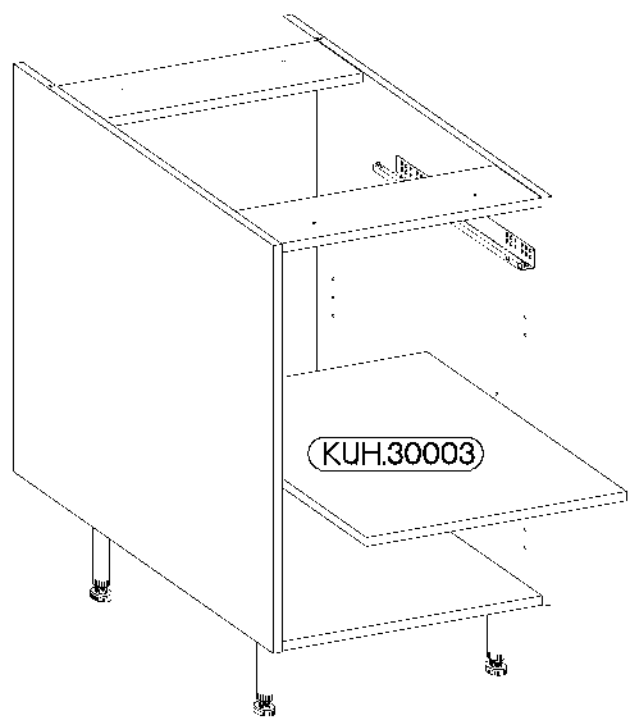


2

5/16mm

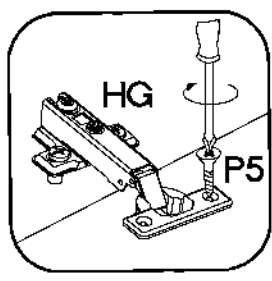
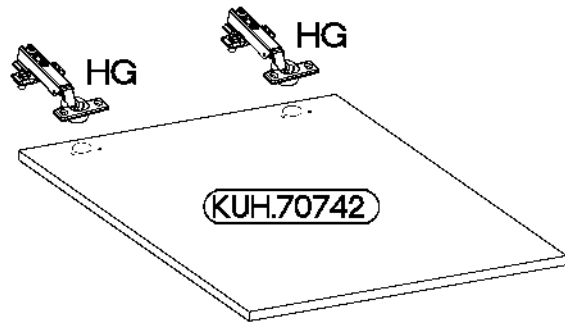


J3
4



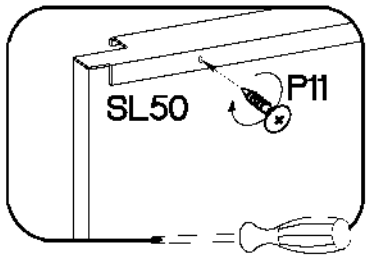
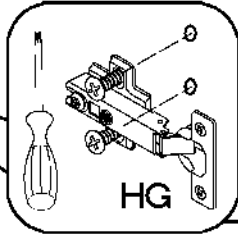
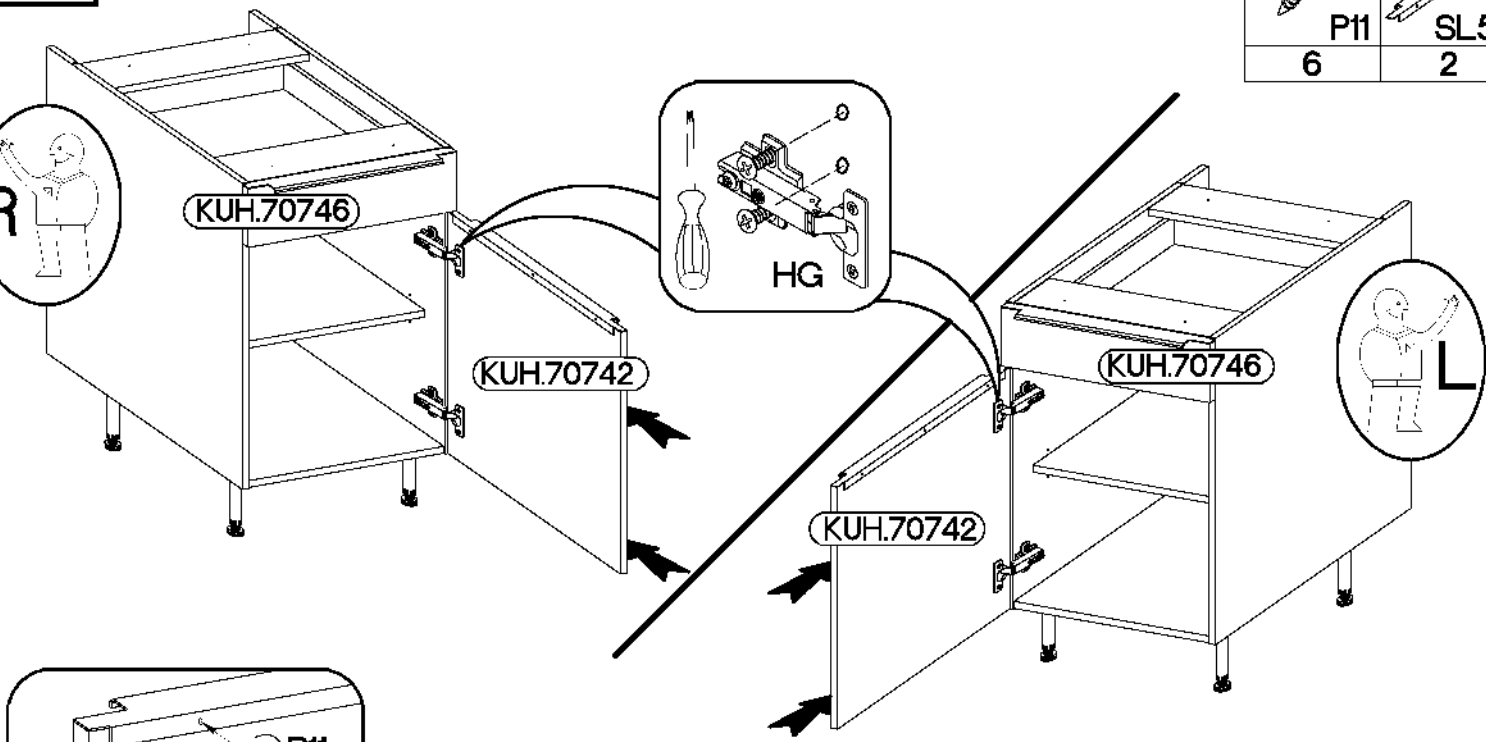
13

∅35/0mm HG 2	∅3.5x13mm P5 4
--------------------	----------------------

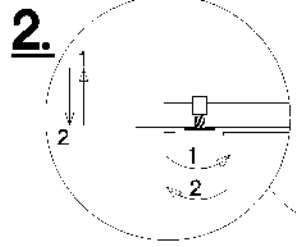
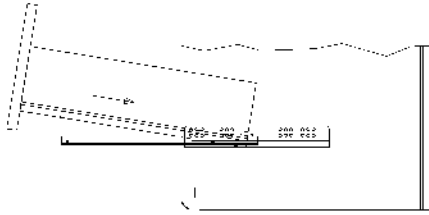


14

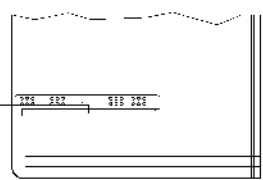
∅3.0x16mm P11 6	L=495mm SL50 2
-----------------------	----------------------



1.

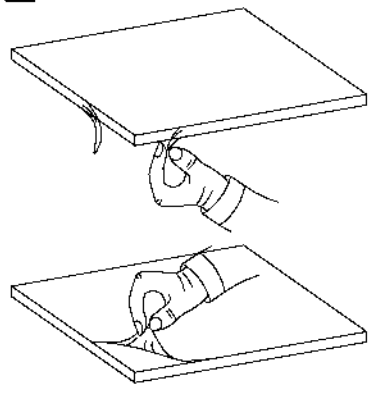


2.



VARIANT HIGH GLOSS

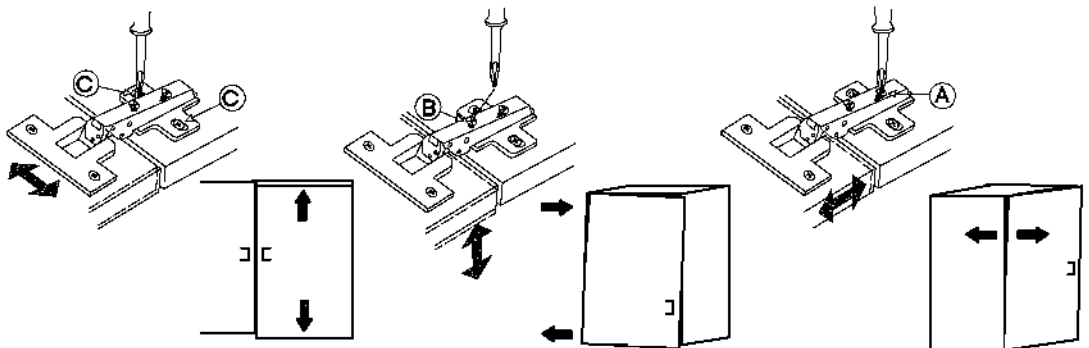
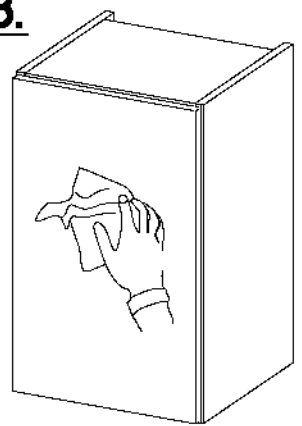
1.

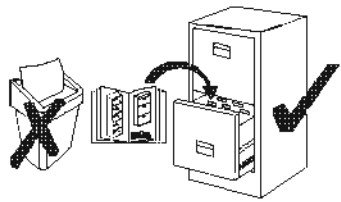
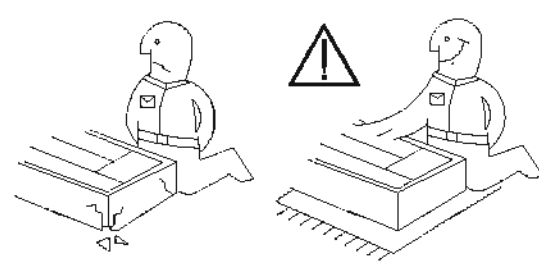
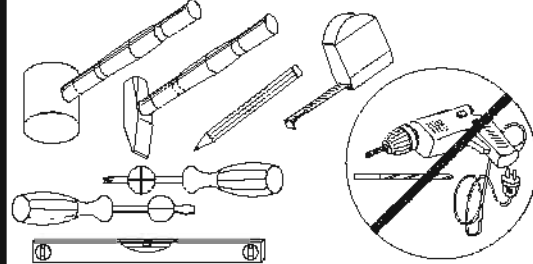
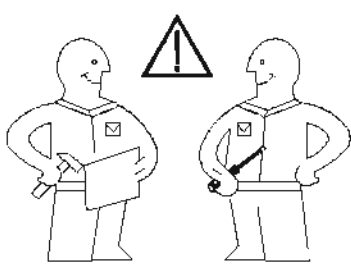


2.



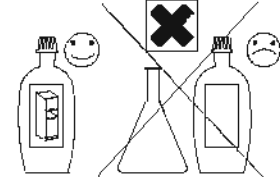
3.



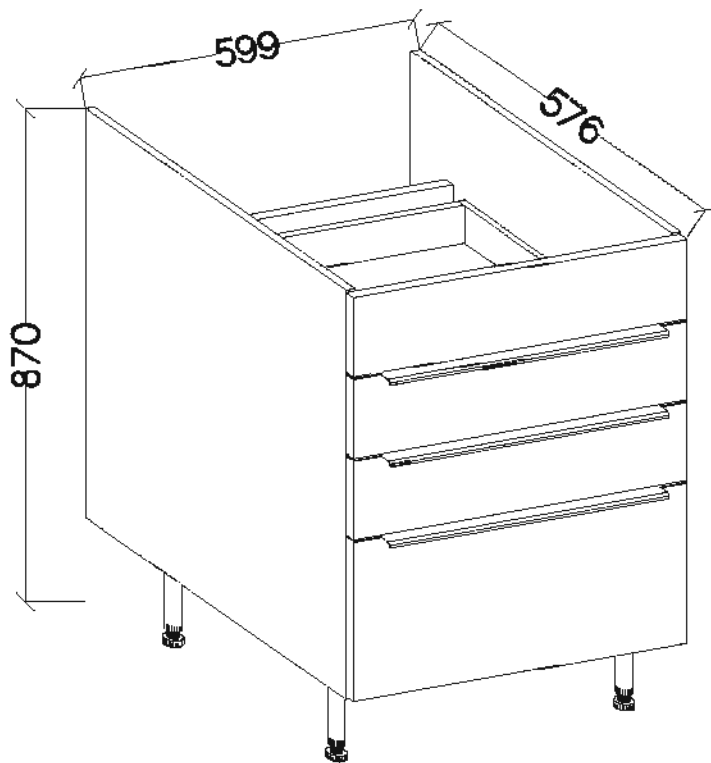


SAFADO / MARLEEN

84-176-...
84-17H-...

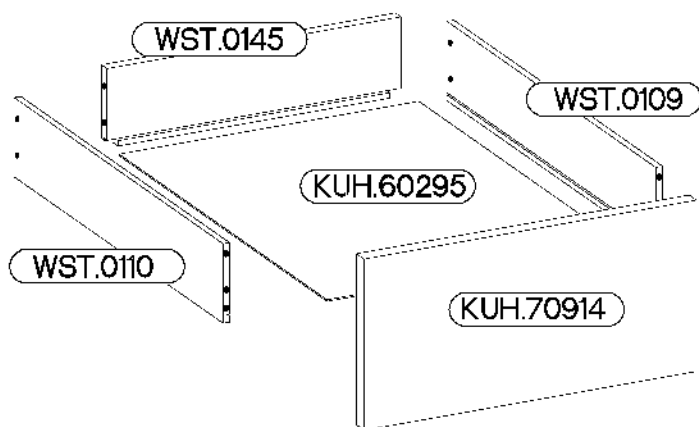
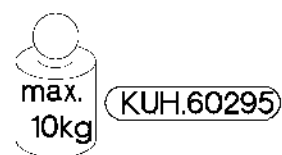
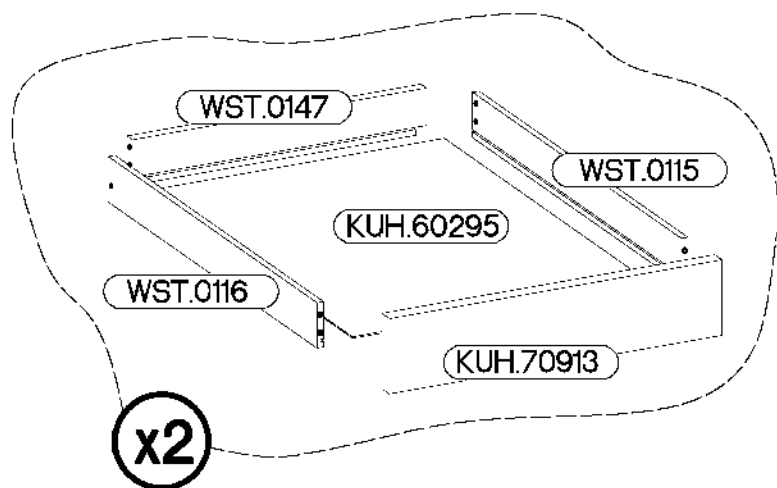
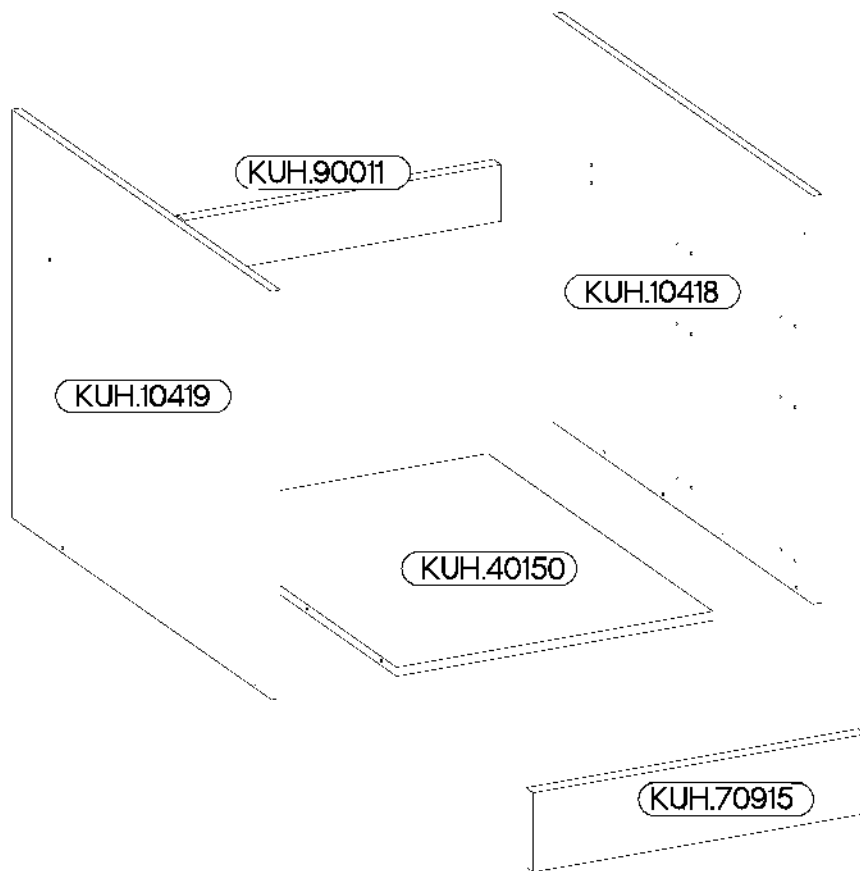


respekta®




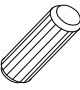
 +8x30mm A 18	 6,4 x 50mm B 6	 +6x42mm B2 8	 +12/10mm C5 6	 L=20mm D2 6	 E1 6	 F15 4
 F16 2	 L=450mm L R 3	 L=450 mm K34 3		 L 12	 +6.3x13mm M2 24	
 O 1	 +4.0x16mm P1 4	 +3.5x13mm P5 30	 +3.0x16mm P11 12	 L=595mm SL60 3	 T3 2	 T10 2

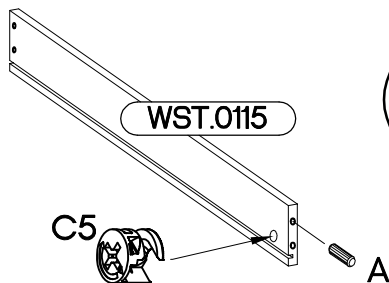
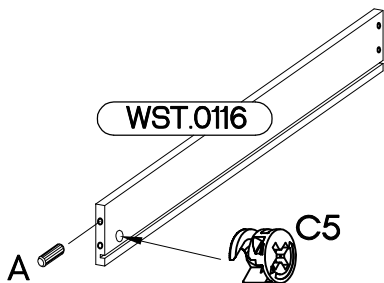
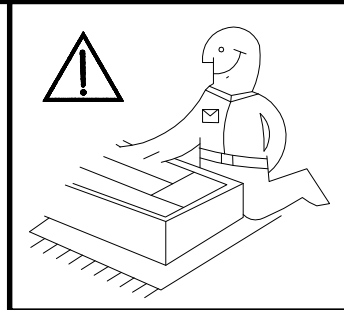
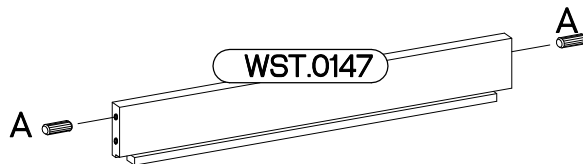
ISM-KUH-01593



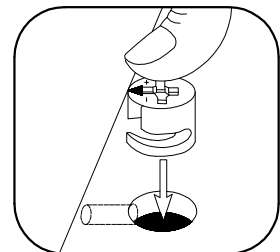
Colli	Spare Part	Dimension
Colli 2/6	KUH.10418	720x560x16
	KUH.10419	720x560x16
	KUH.40150	567x485x16
	KUH.60295 x3	537x448x2,5
	KUH.70913 x2	138x596x16
	KUH.70914	281x596x16
	KUH.70915	140x596x16
	WST.0109	450x140x12
	WST.0110	450x140x12
	WST.0115 x2	450x80x12
	WST.0116 x2	450x80x12
	WST.0145	527x140x12
	WST.0147 x2	527x80x12

1

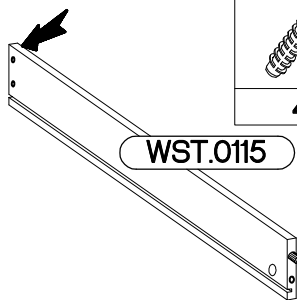
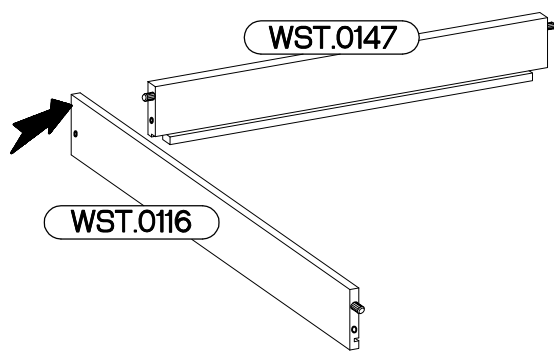
±12/10mm  C5 4	±8x30mm  A 8
---	---




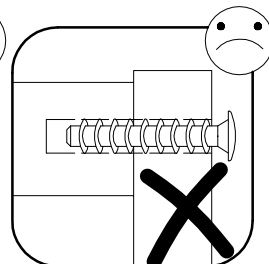
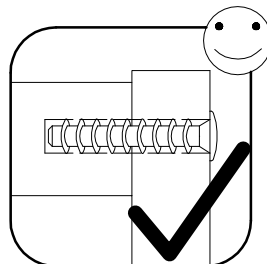
x2



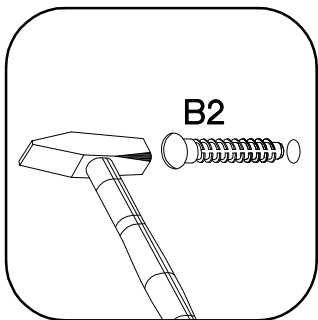
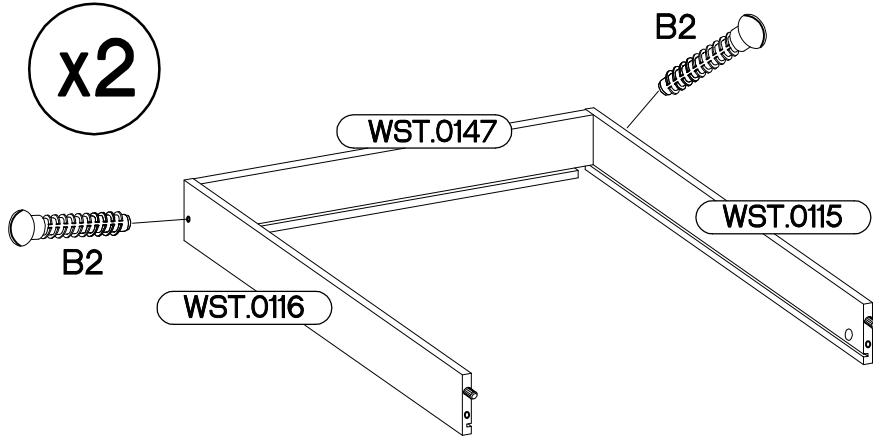
2



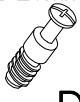
±6x42mm  B2 4

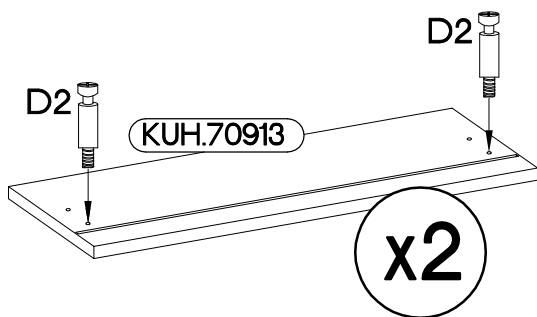


x2

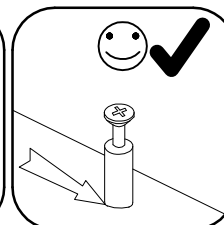
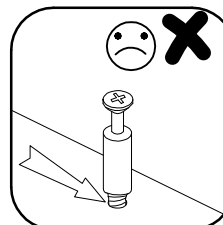
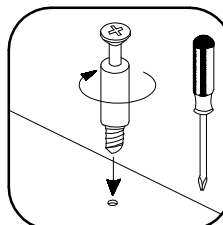
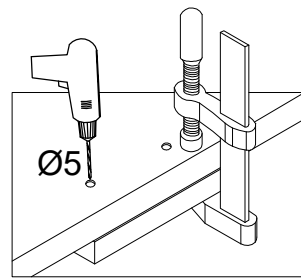
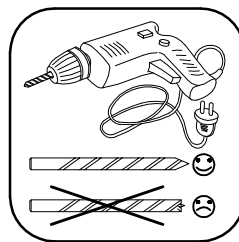


3

L=20mm  D2 4
--

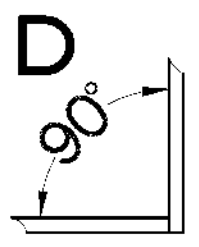
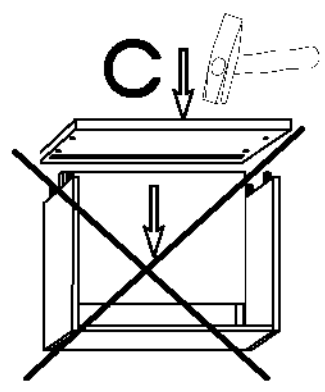
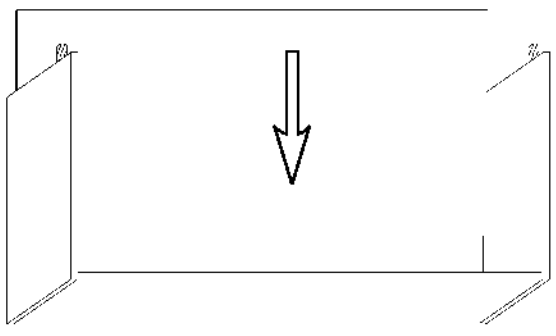
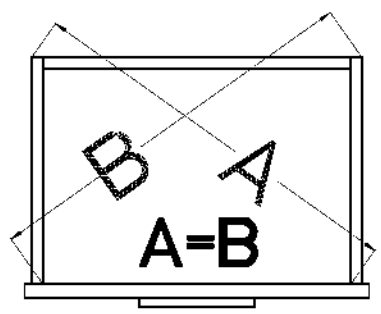
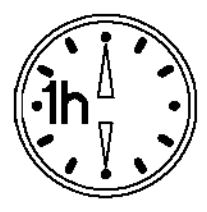
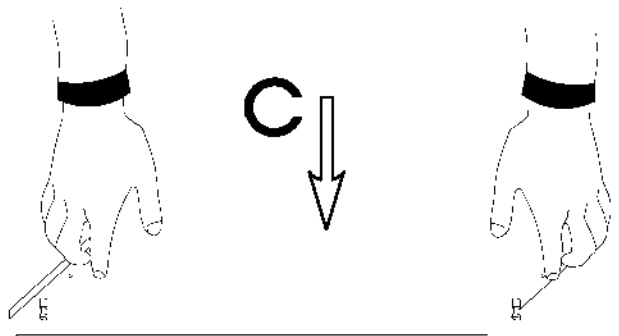
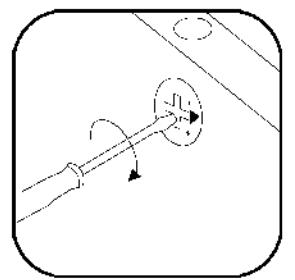
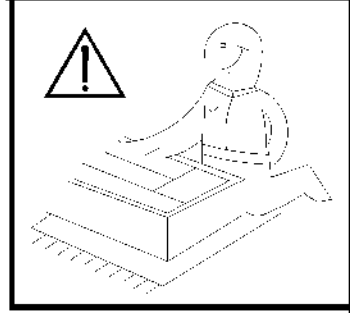
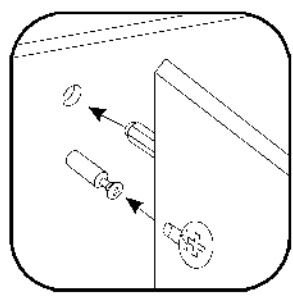
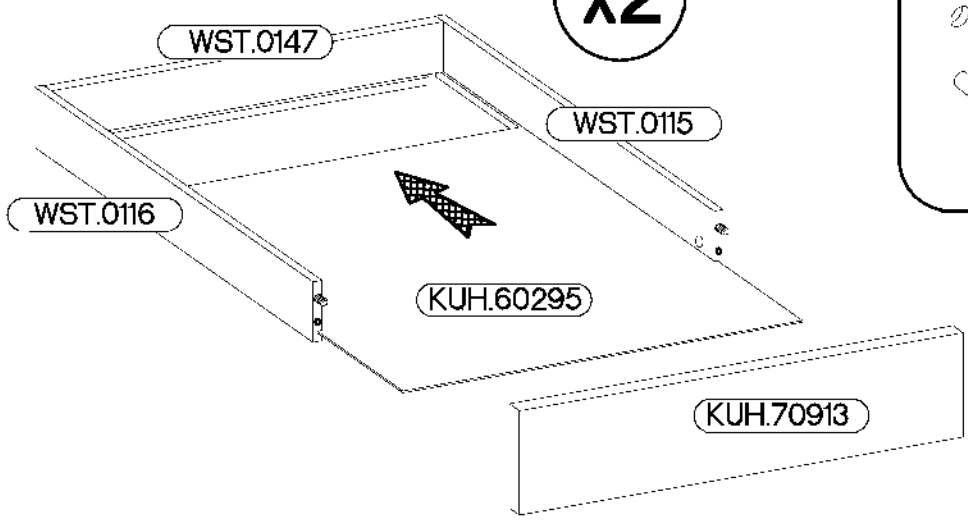


x2



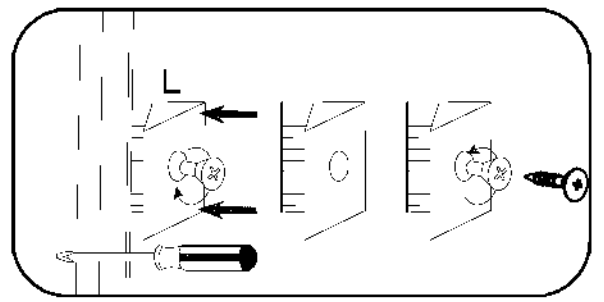
4

x2

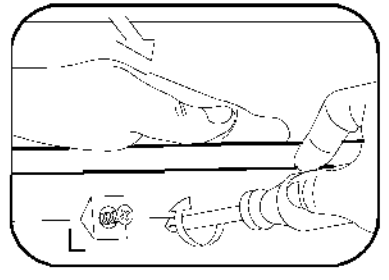
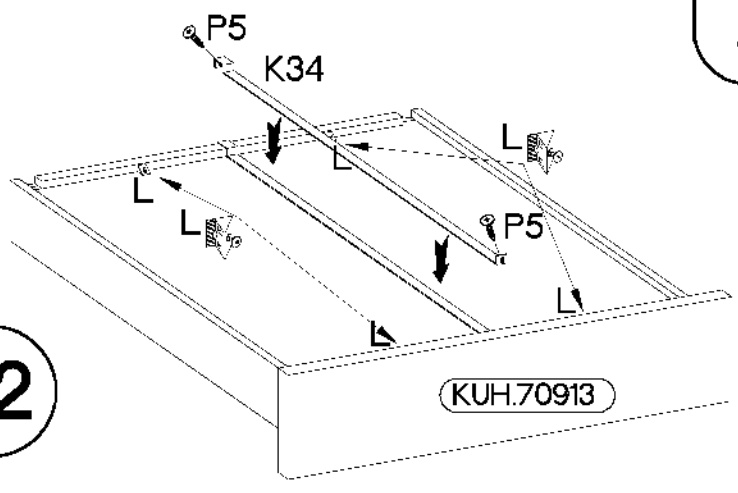


5


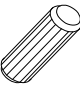
	L=450 mm		±3.5x13mm
L		K34	P5
8	2	4	

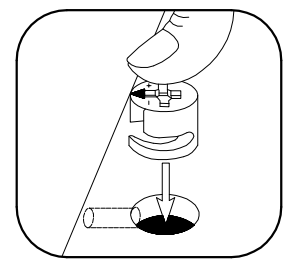
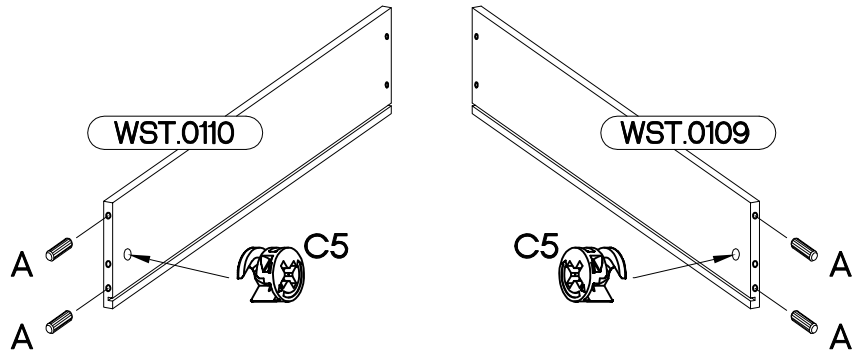
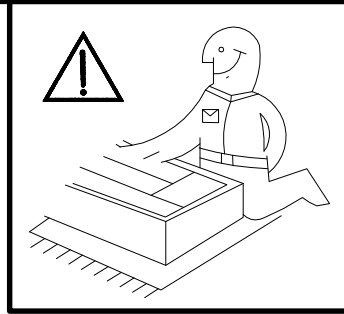


x2




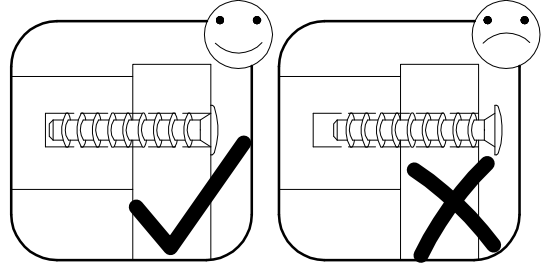
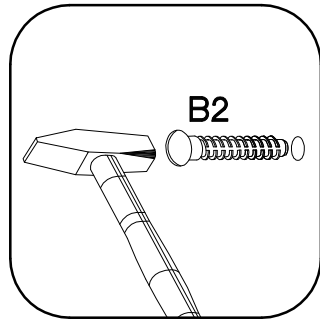
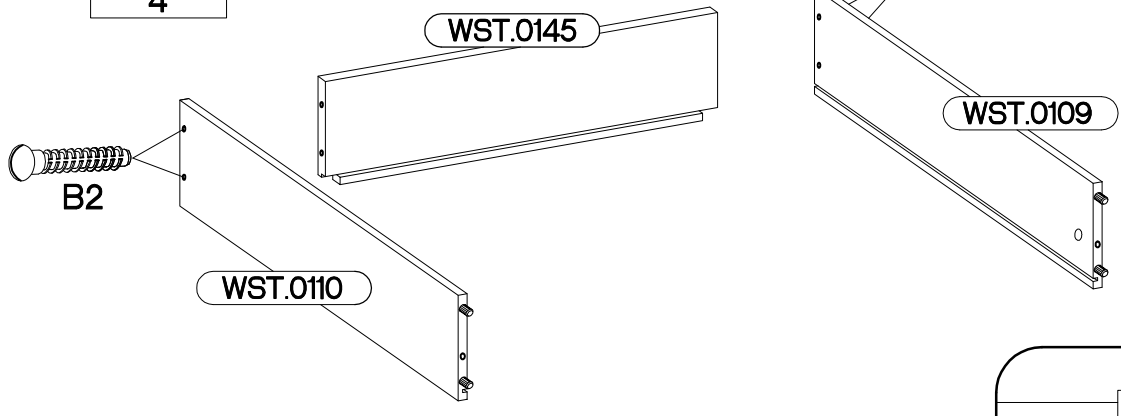
6

 C5 2	 A 4
---	--




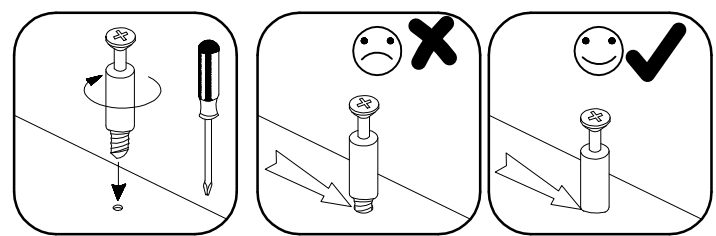
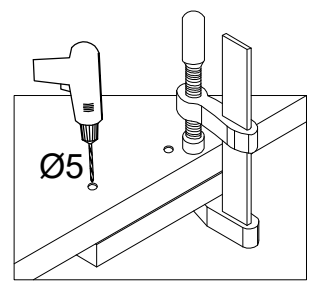
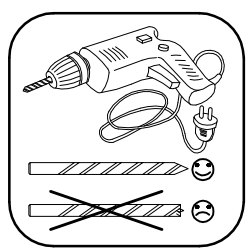
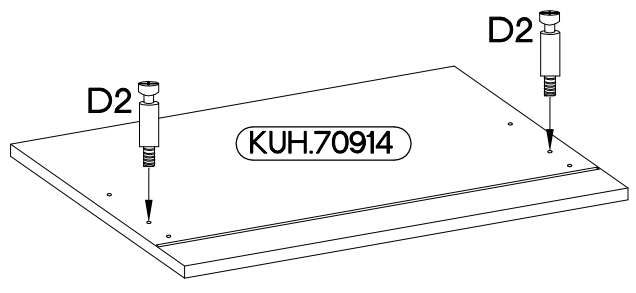
7

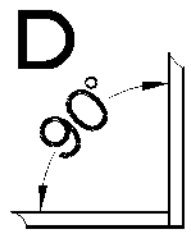
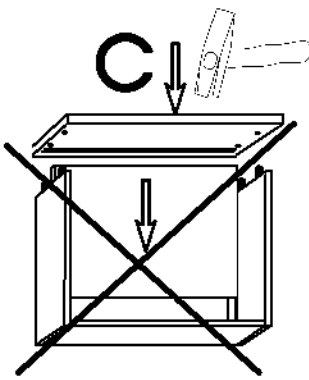
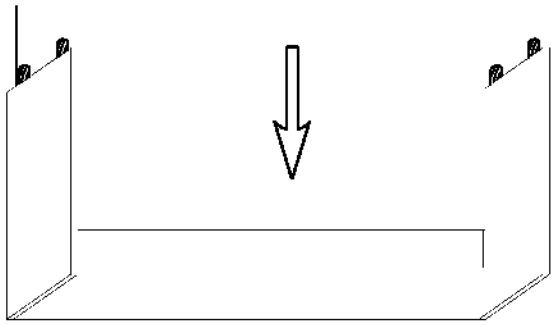
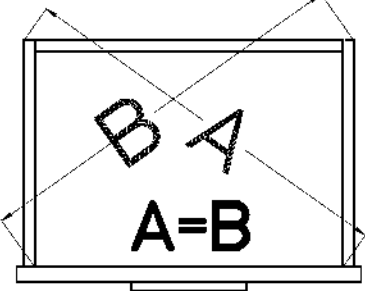
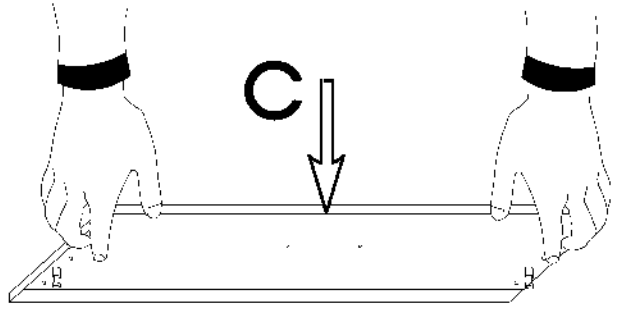
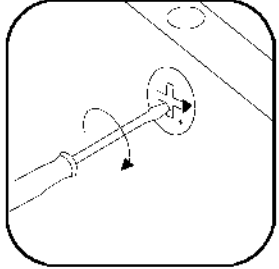
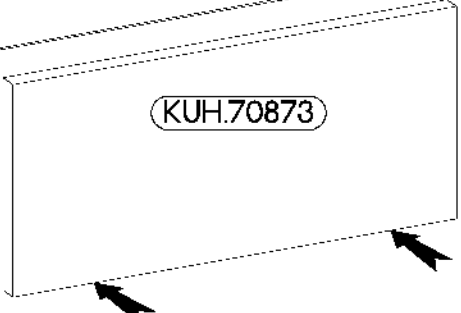
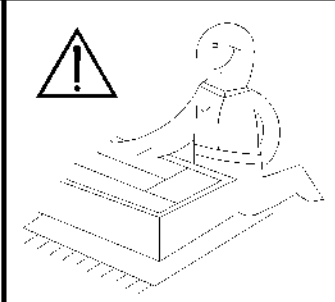
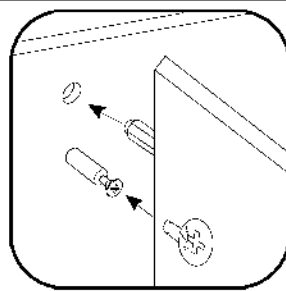
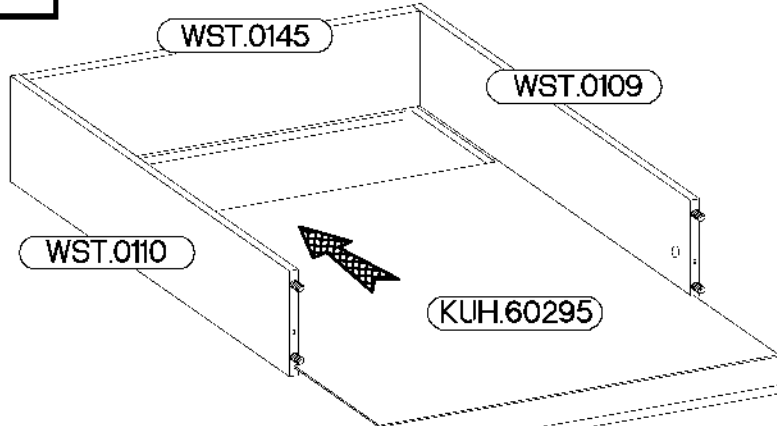
 B2 4
--



8

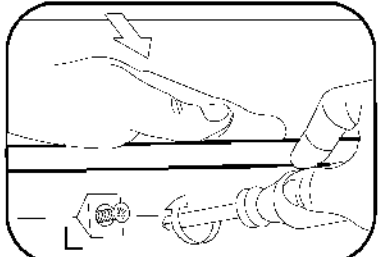
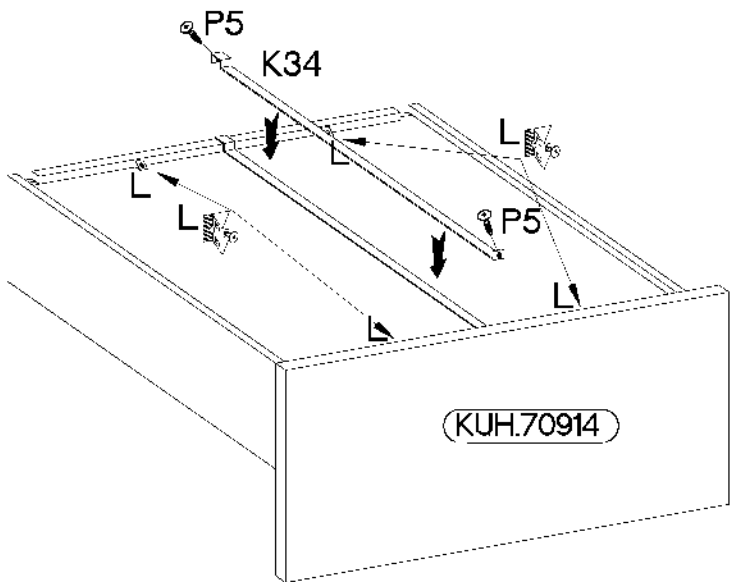
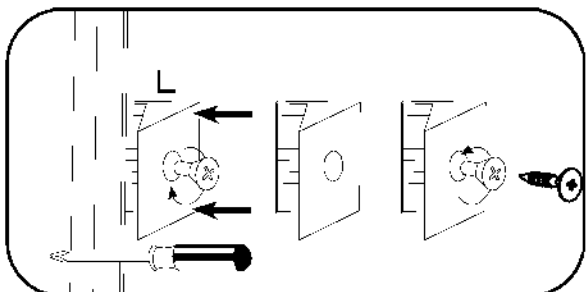
 D2 2
--





10

	L=450 mm		$\pm 3.5 \times 13 \text{ mm}$	
L		K34		P5
4	1			2



KUH.70914



+8x30mm



2

L



A L=450mm

3

R

I11

+6.3x13mm



24

M2



2

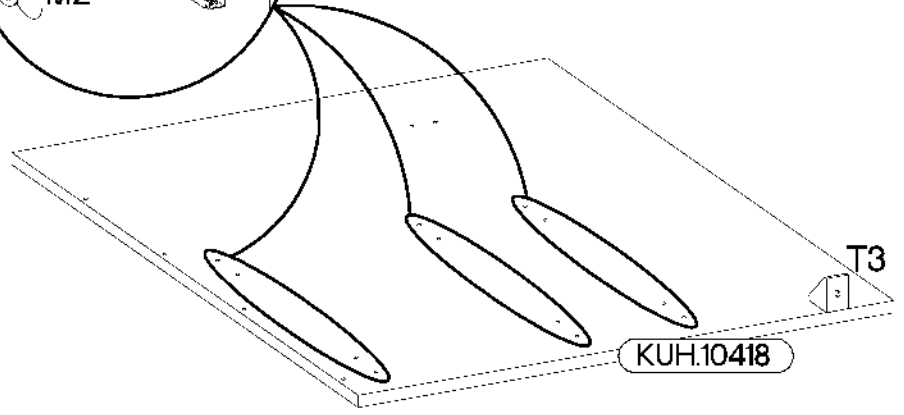
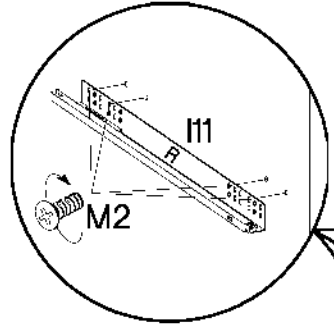
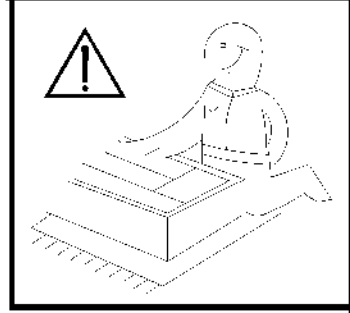
T3

+4.0x16mm

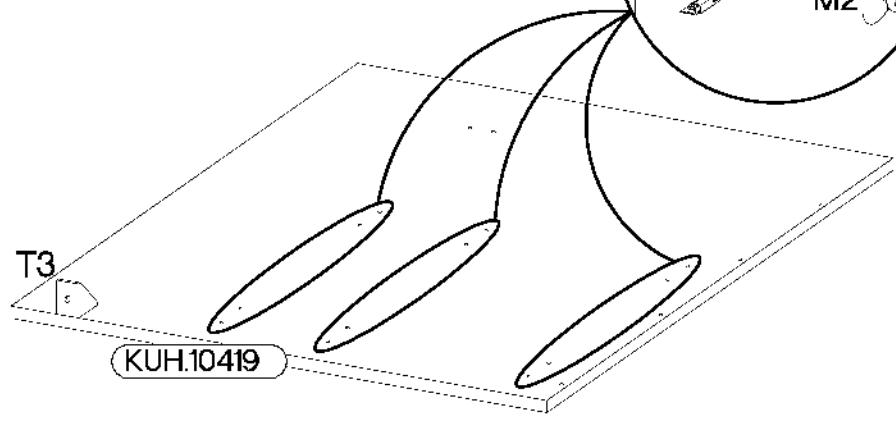
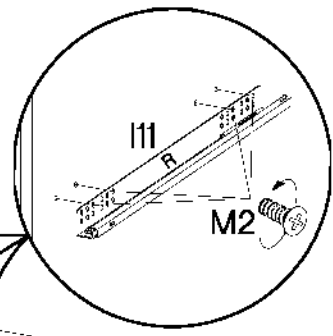
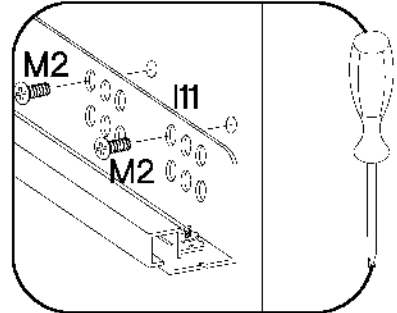


2

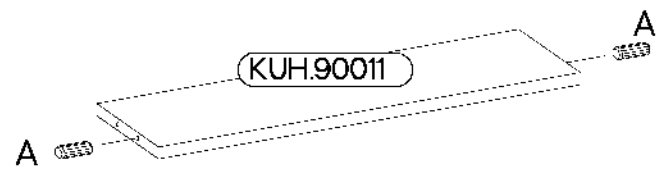
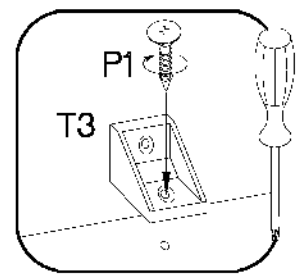
P1



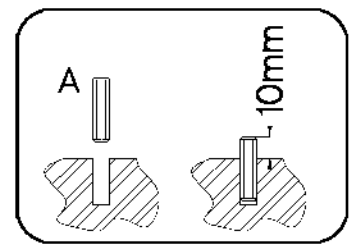
KUH.10418



KUH.10419



KUH.90011



A

L 10mm

2

φ3.5x13mm



P5

16



F15

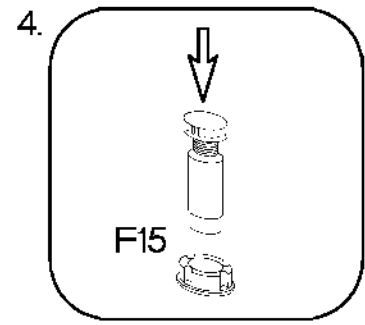
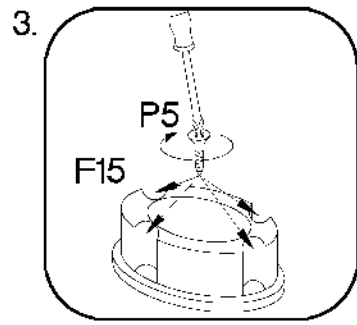
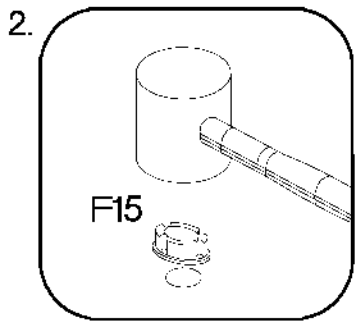
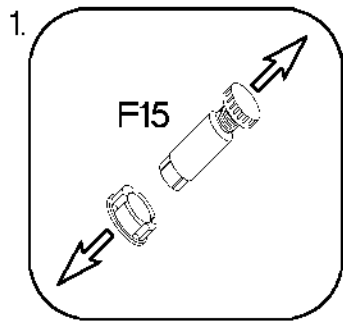
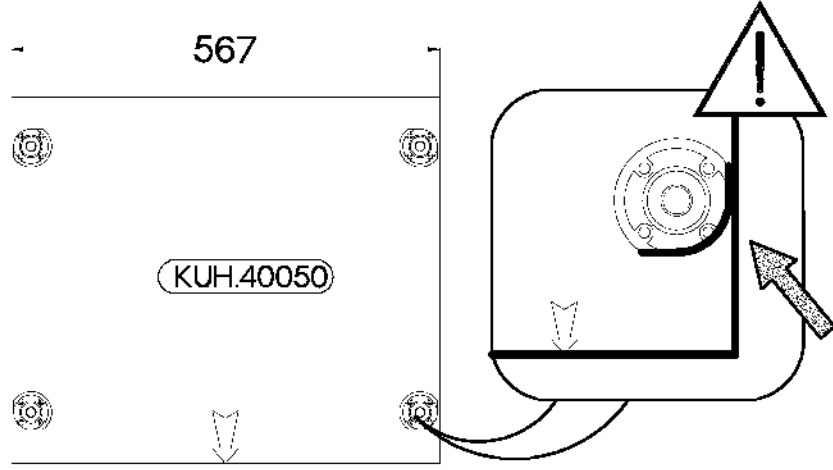
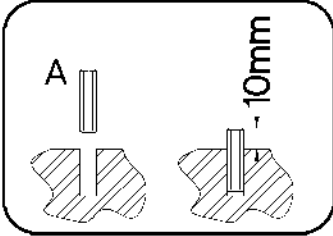
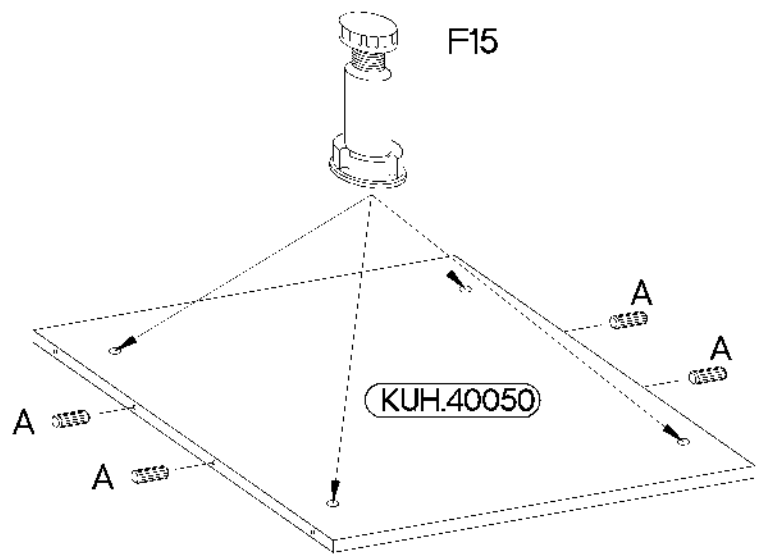
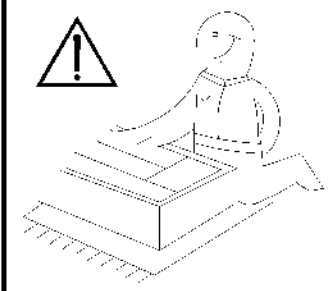
4

+8x30mm



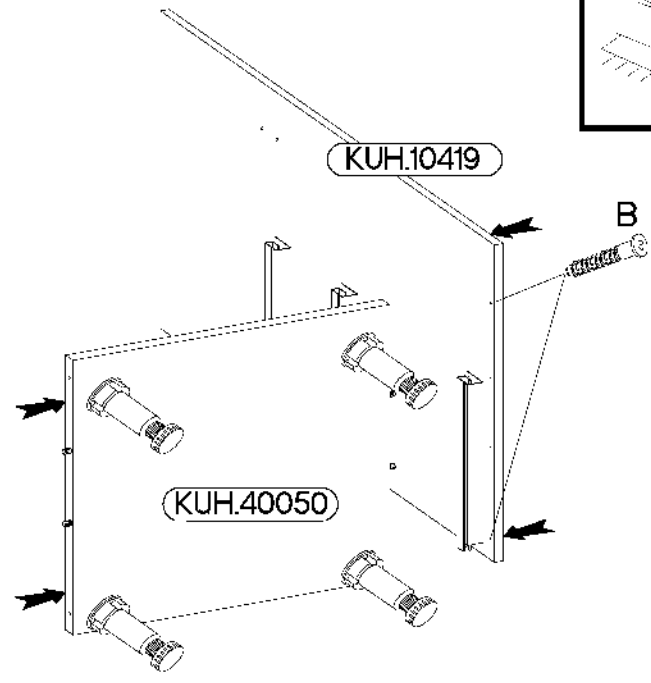
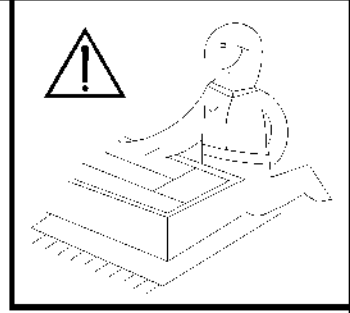
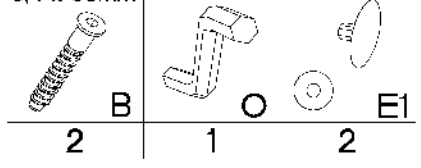
A

4

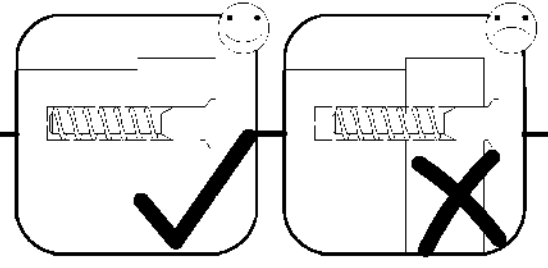
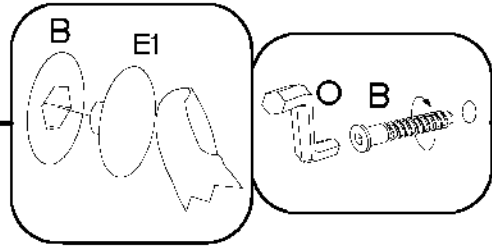




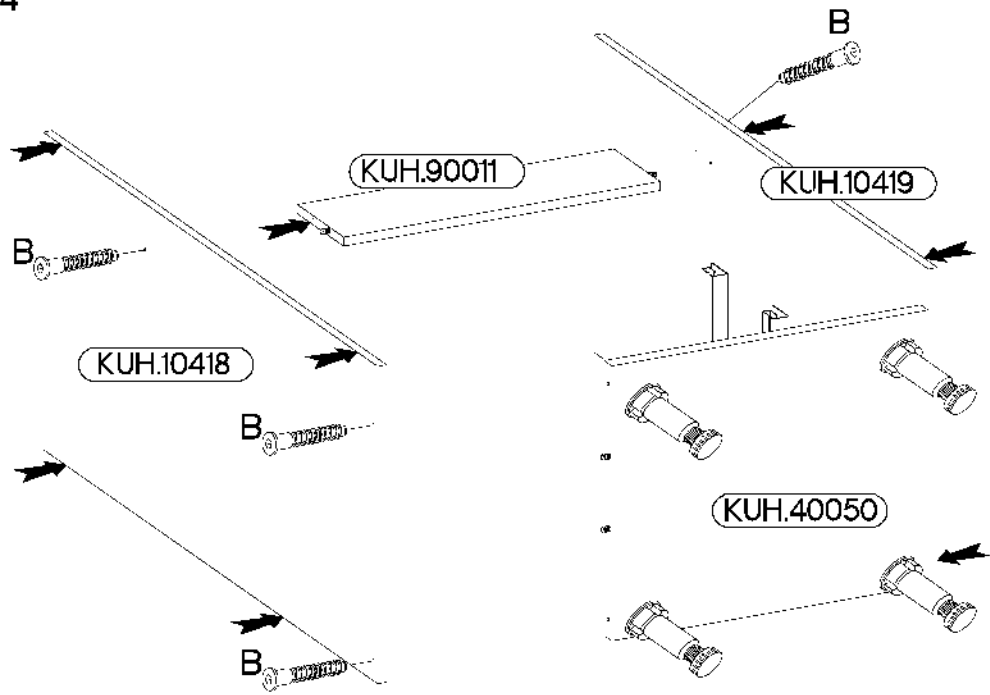
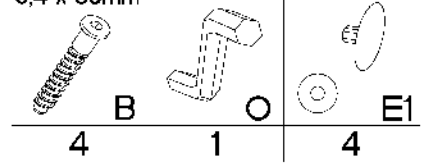
6,4 x 50mm



14



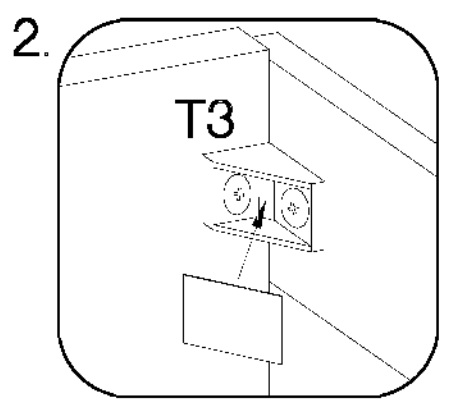
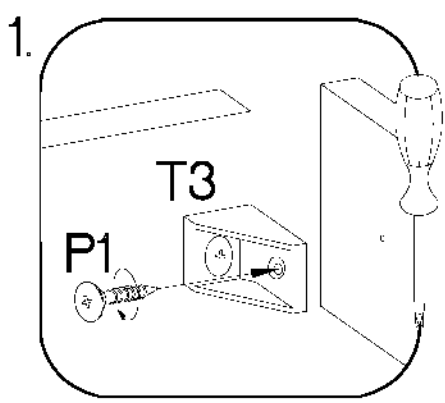
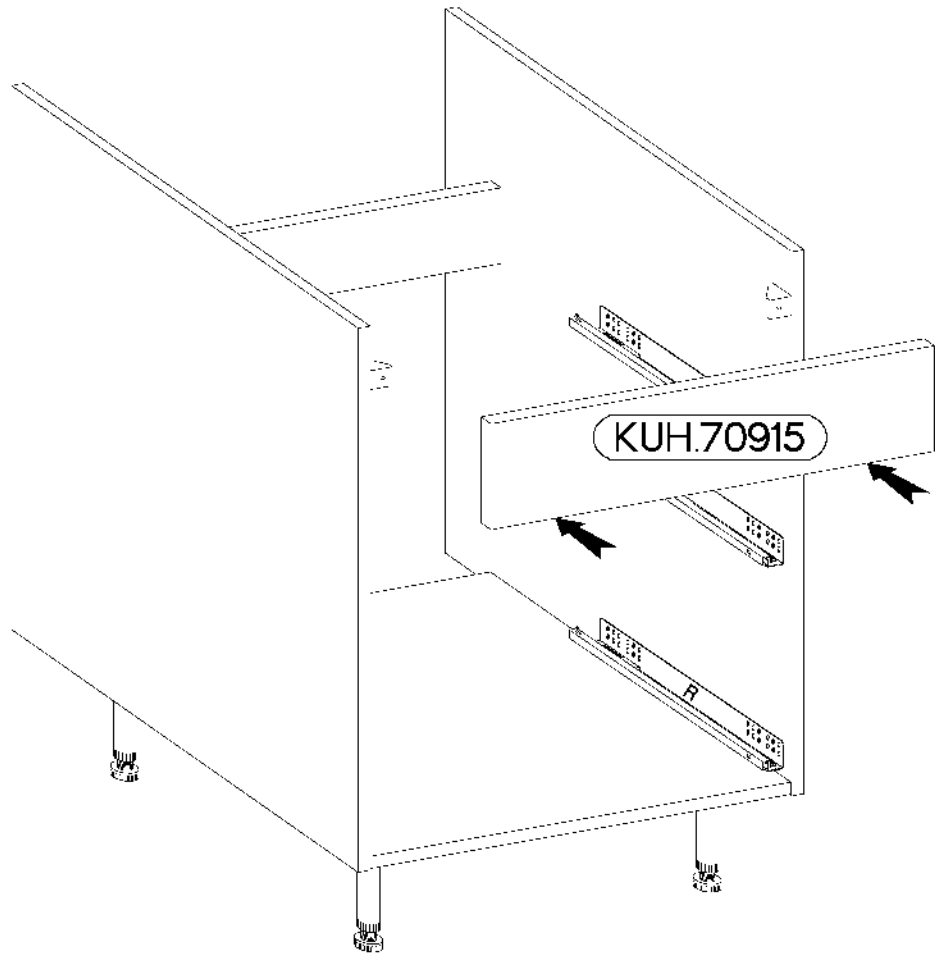
6,4 x 50mm







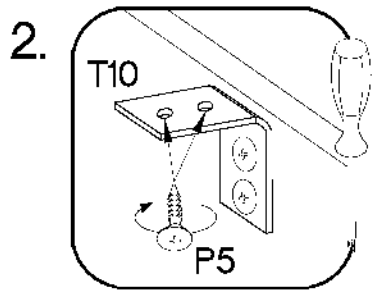
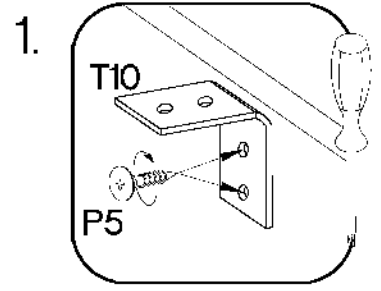
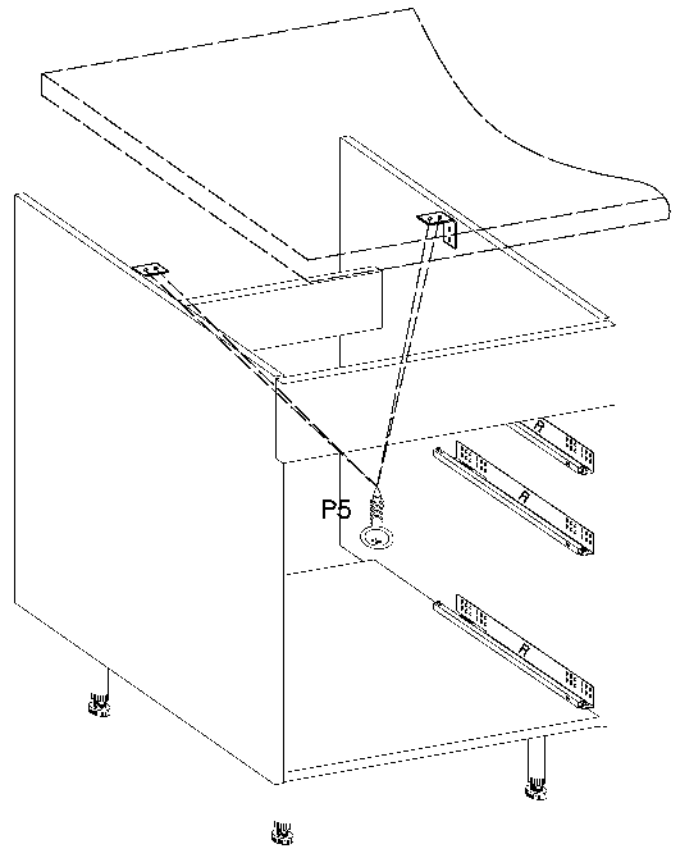
P1

2





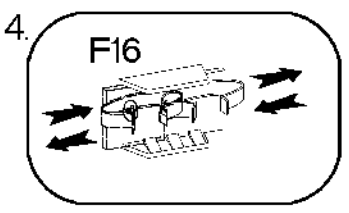
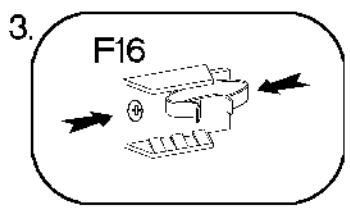
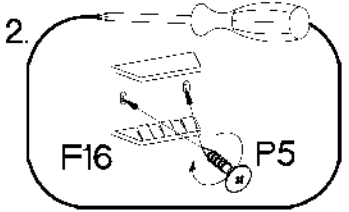
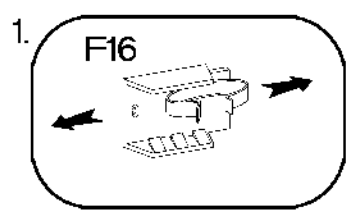
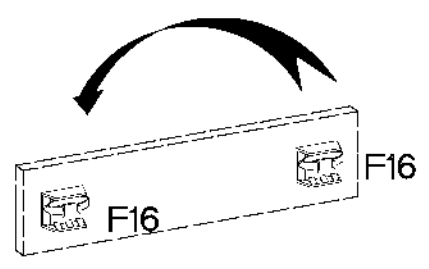
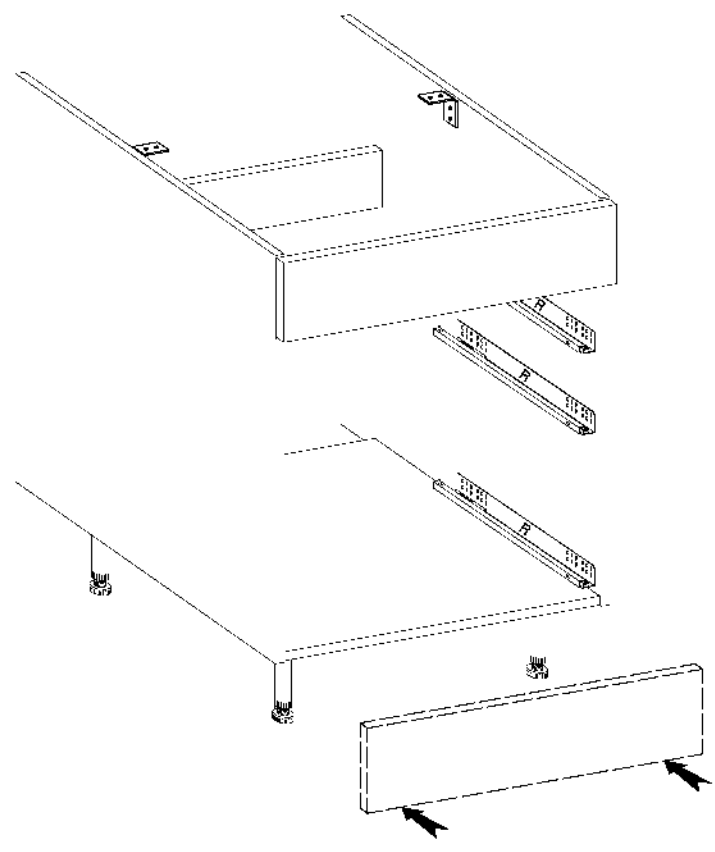
±3.5x13mm



	
P5	T10
8	2

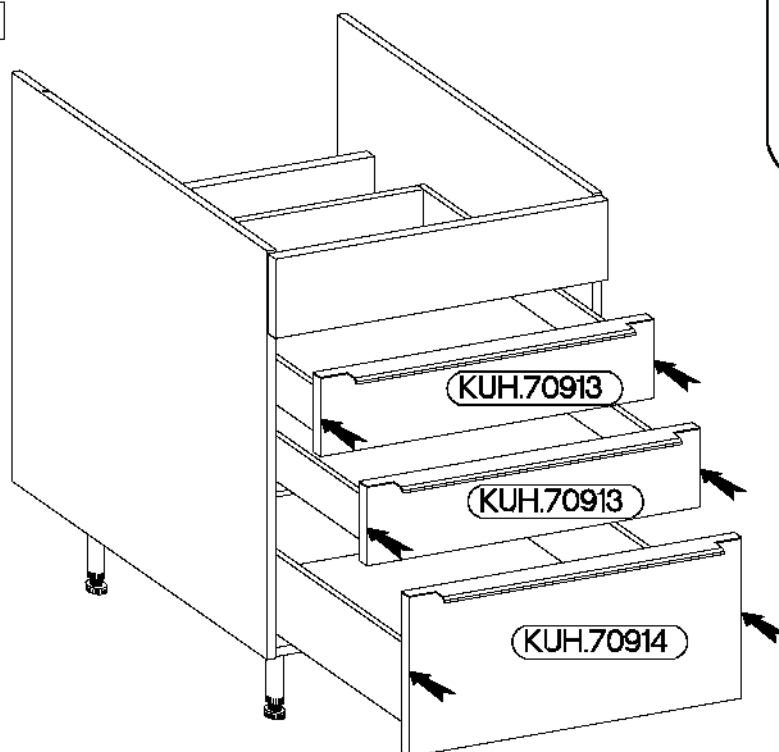
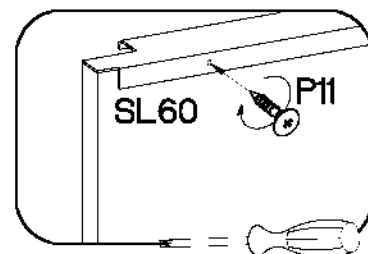


±3.5x13mm

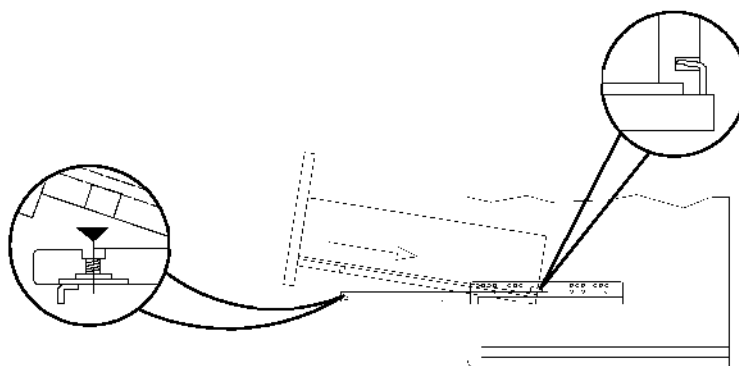
	
P5	F16
4	2



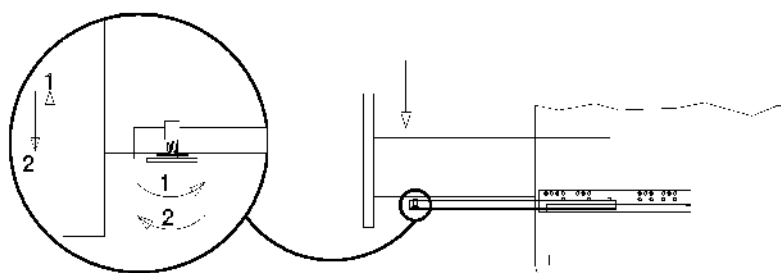
±3.0x16mm	L=595mm
	
P11	SL60
12	3



1.

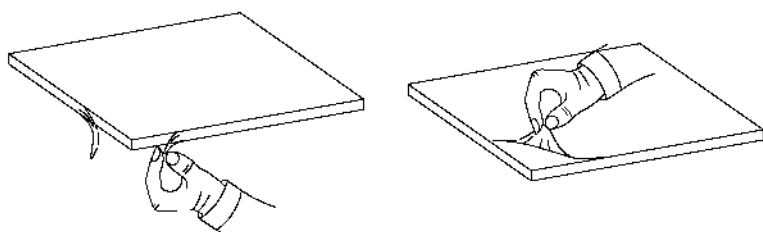


2.

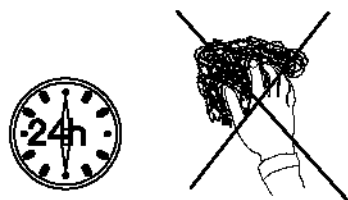


VARIANT HIGH GLOSS

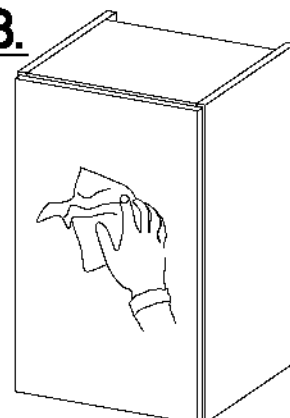
1.

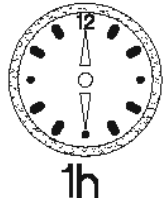
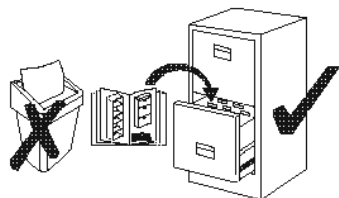
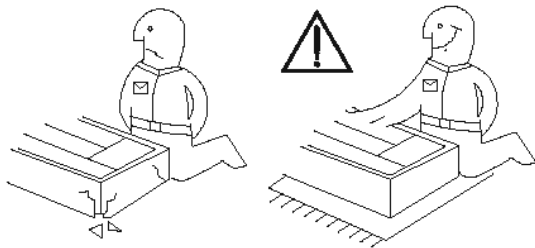
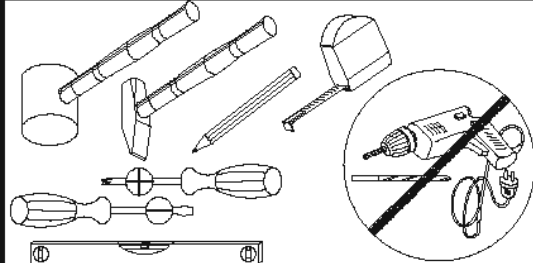
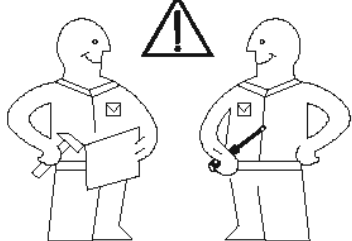


2.



3.





SAFADO / MARLEEN

84-170-...

84-176-...

84-17C-...

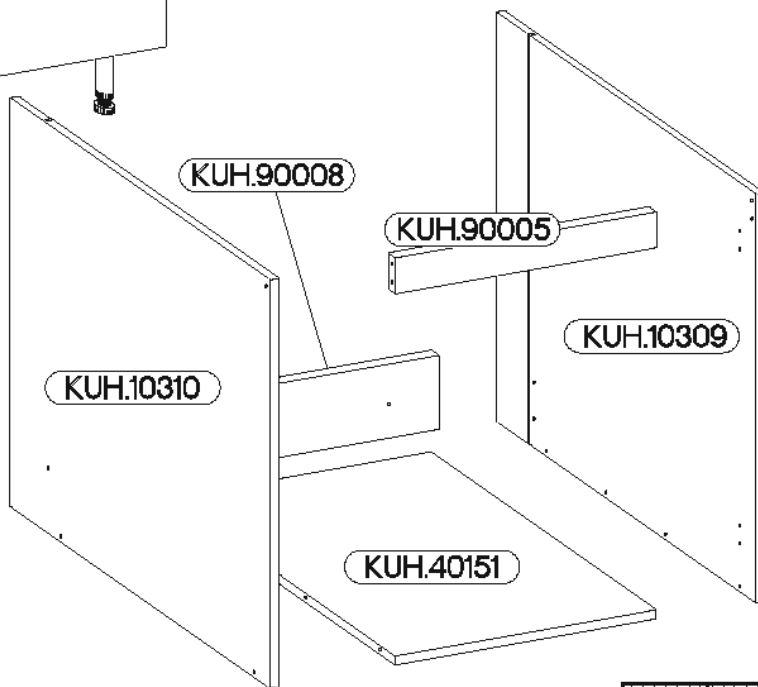
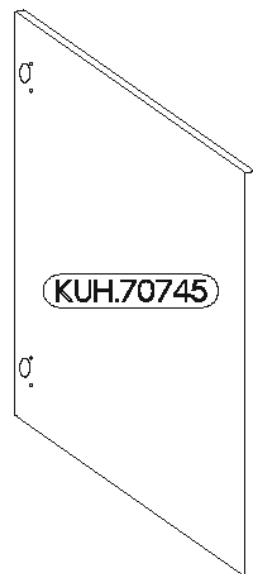
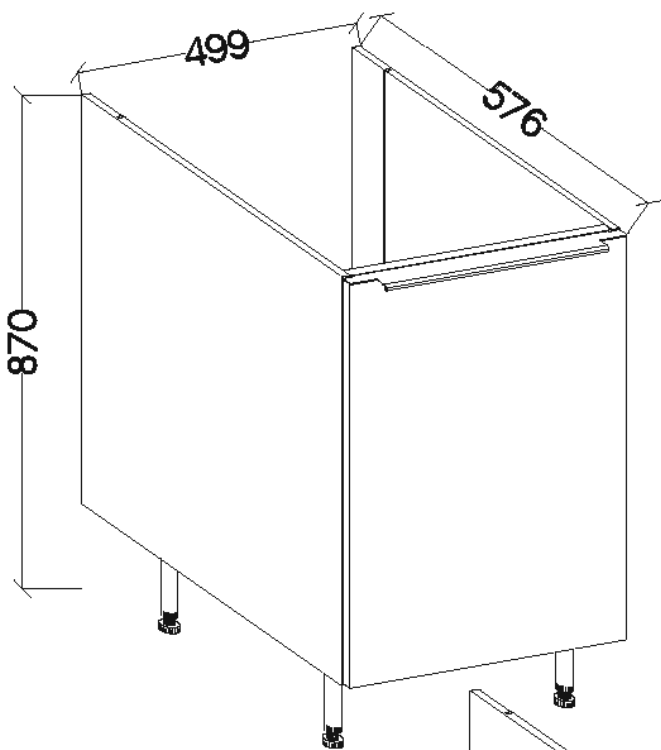


respekta®



max.
10kg

KUH.40151



±8x30mm A	6,4 x 50mm B	 E1	 L37	 L38
8	8	8	2	2
 F15	 F16	±35/0mm HG	 O	±3.5x13mm P5
4	2	2	1	32
		±3.0x16mm P11	L=495mm SL50	 T10
		17	1	2

Colli	Spare Part	Dimension
Colli 3/6	KUH.10309	720x560x16
	KUH.10310	720x560x16
	KUH.40151	467x485x16
	KUH.70745	711x496x16
	KUH.90005	467x63x16
	KUH.90008	467x130x16

ISM-KUH-01603

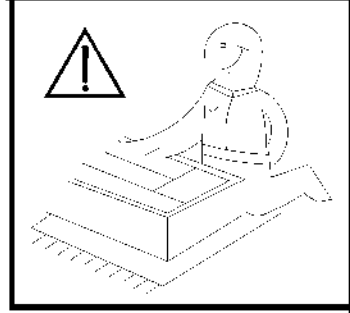
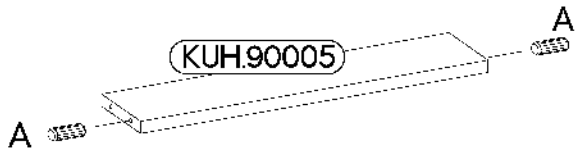
±8x30mm



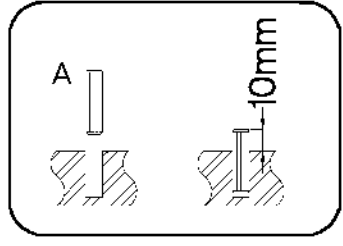
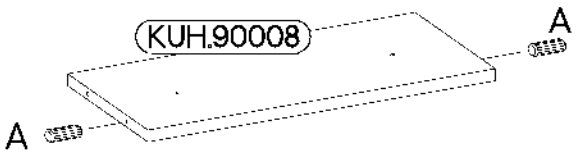
A

4

KUH.90005



KUH.90008



2

±8x30mm ±3.5x13mm



4

A



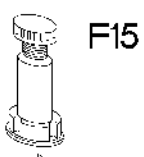
P5

16

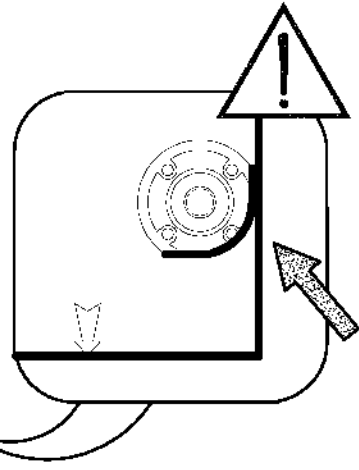
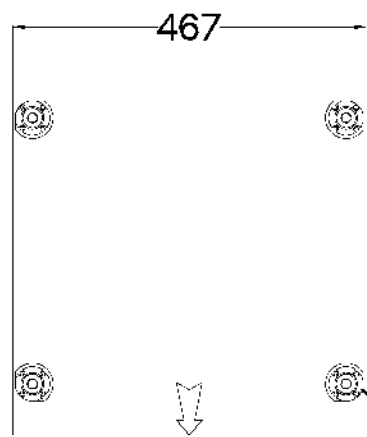
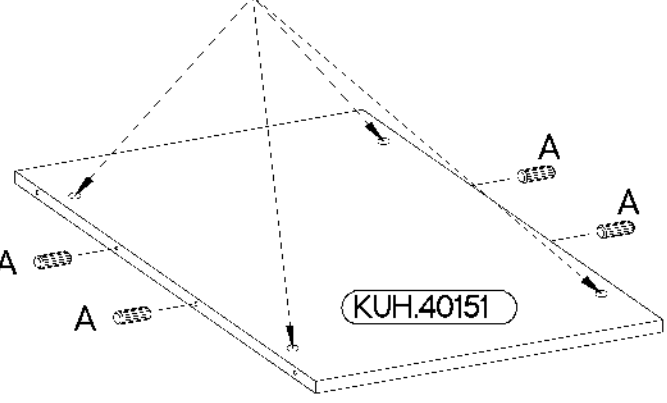


F15

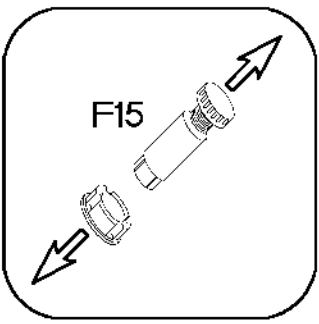
4



F15

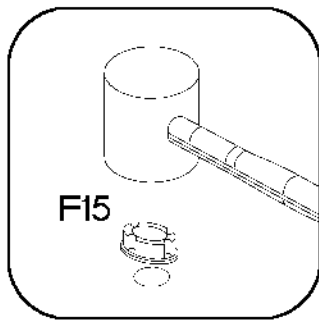


1.



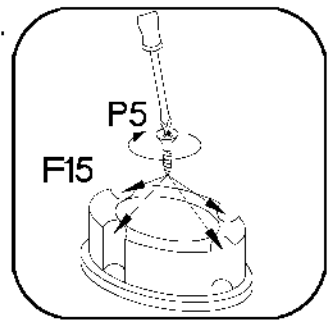
F15

2.



F15

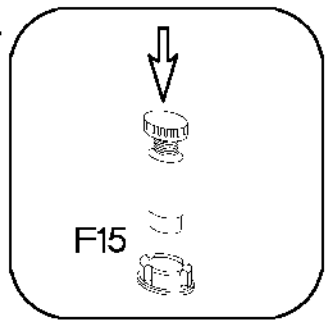
3.



P5

F15

4.



F15

3

±35/0mm ±3.5x13mm



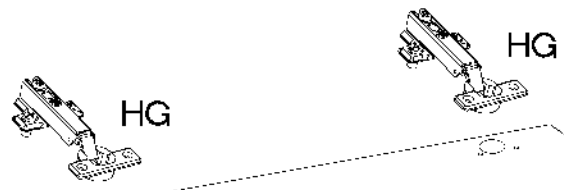
HG

2

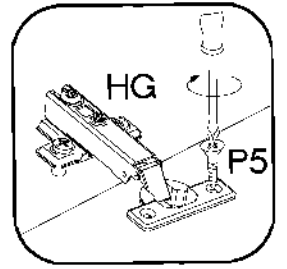


P5

4



KUH.70745

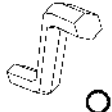


4

6,4 x 50mm



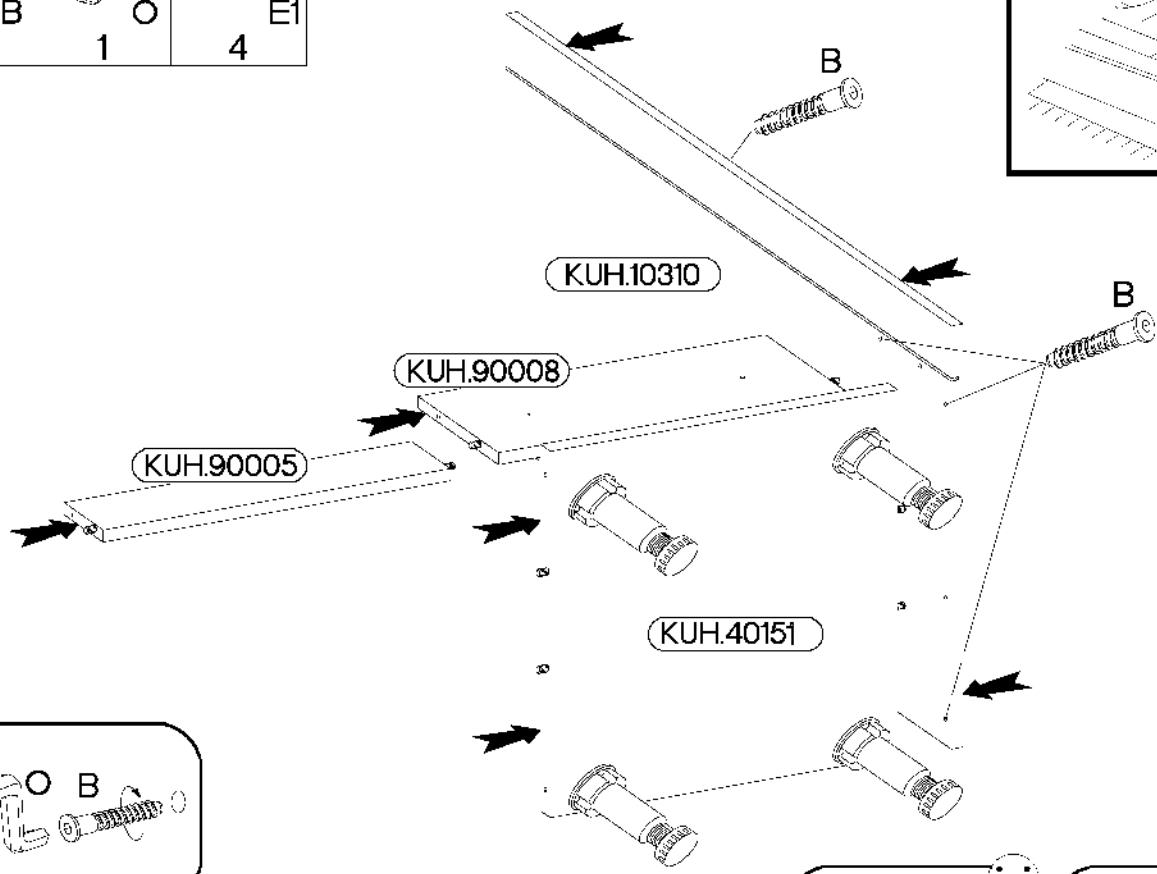
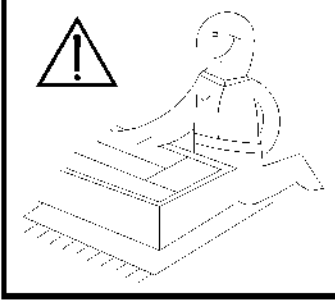
4



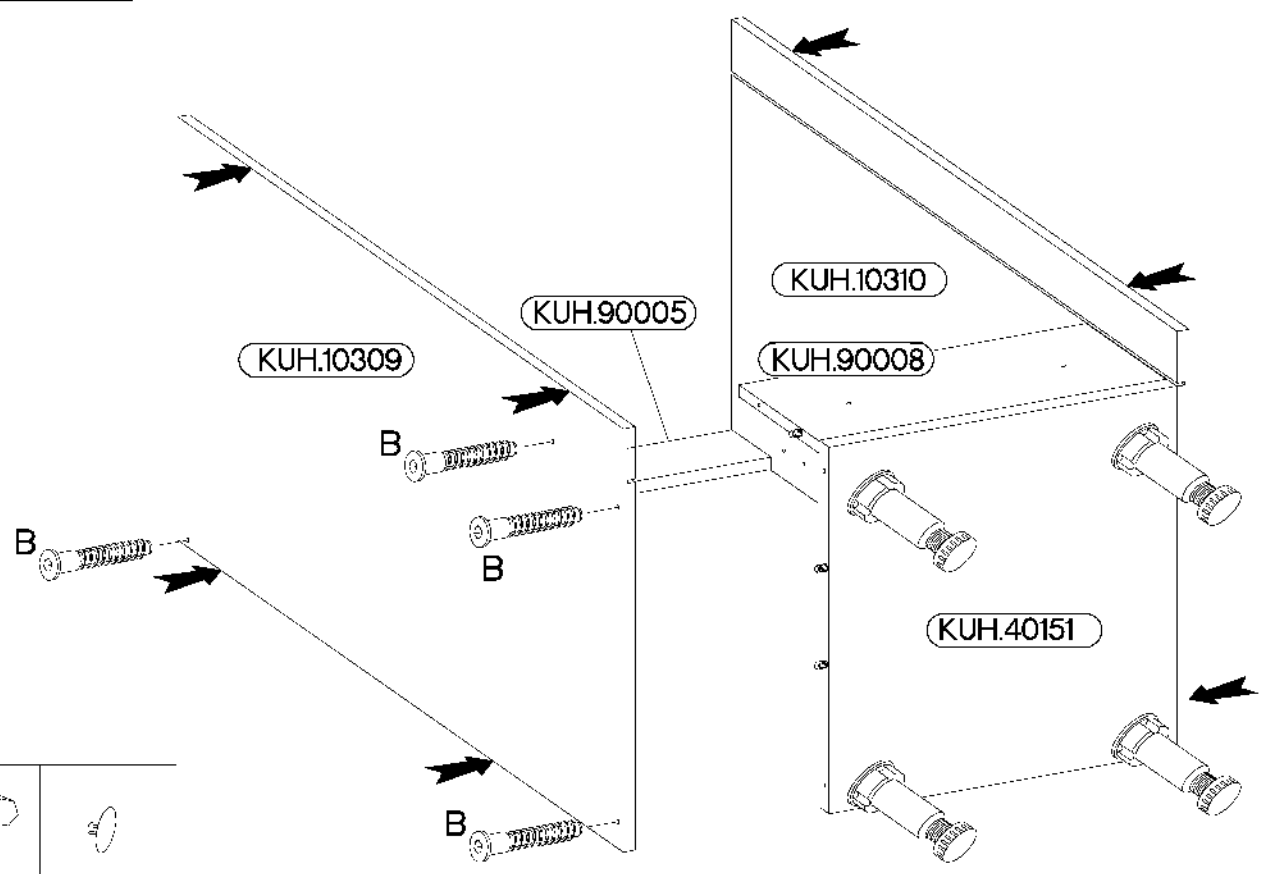
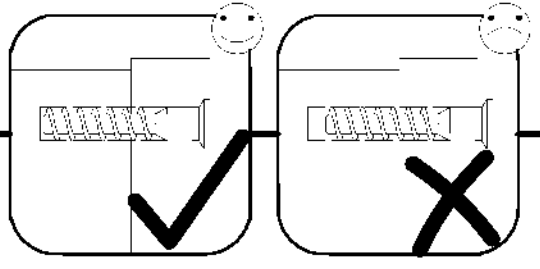
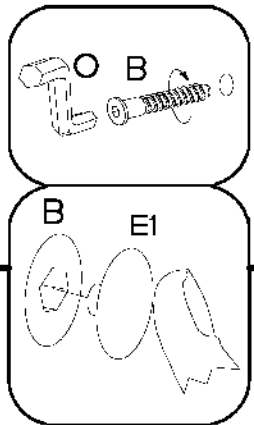
1



4



5



6,4 x 50mm



4



1



4

6

+3.5x13mm



P5

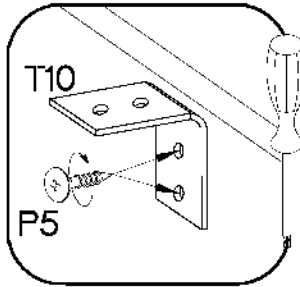
8



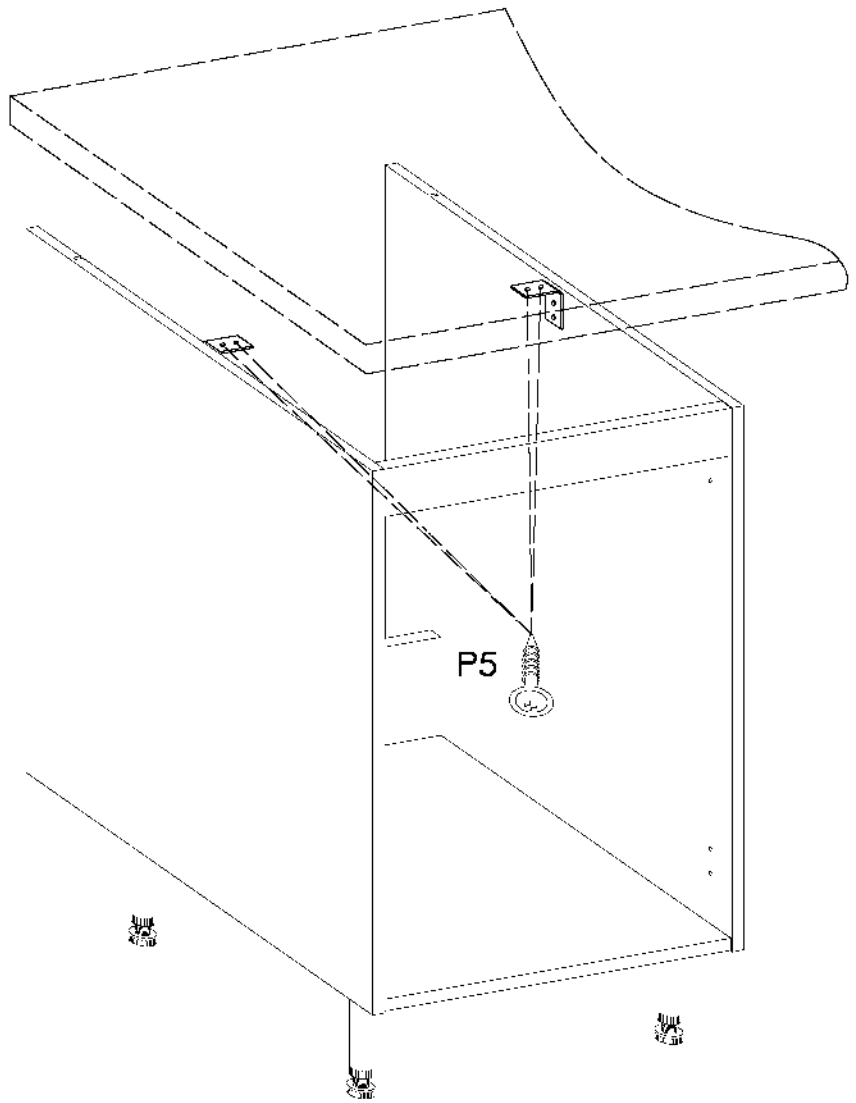
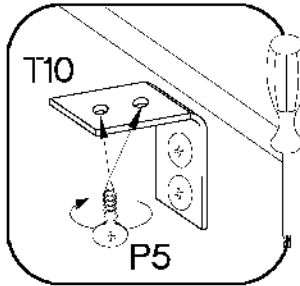
T10

2

1.



2.

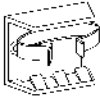
**7**

+3.5x13mm



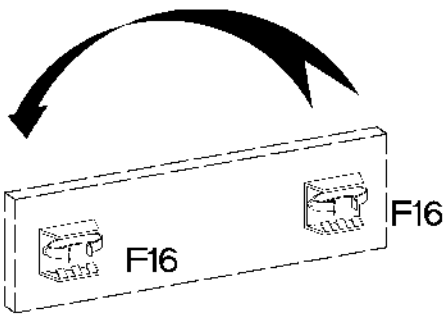
P5

4

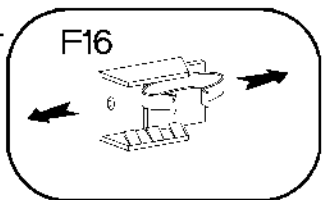


F16

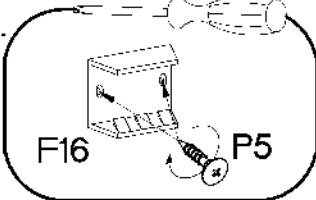
2



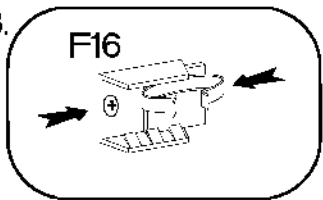
1.



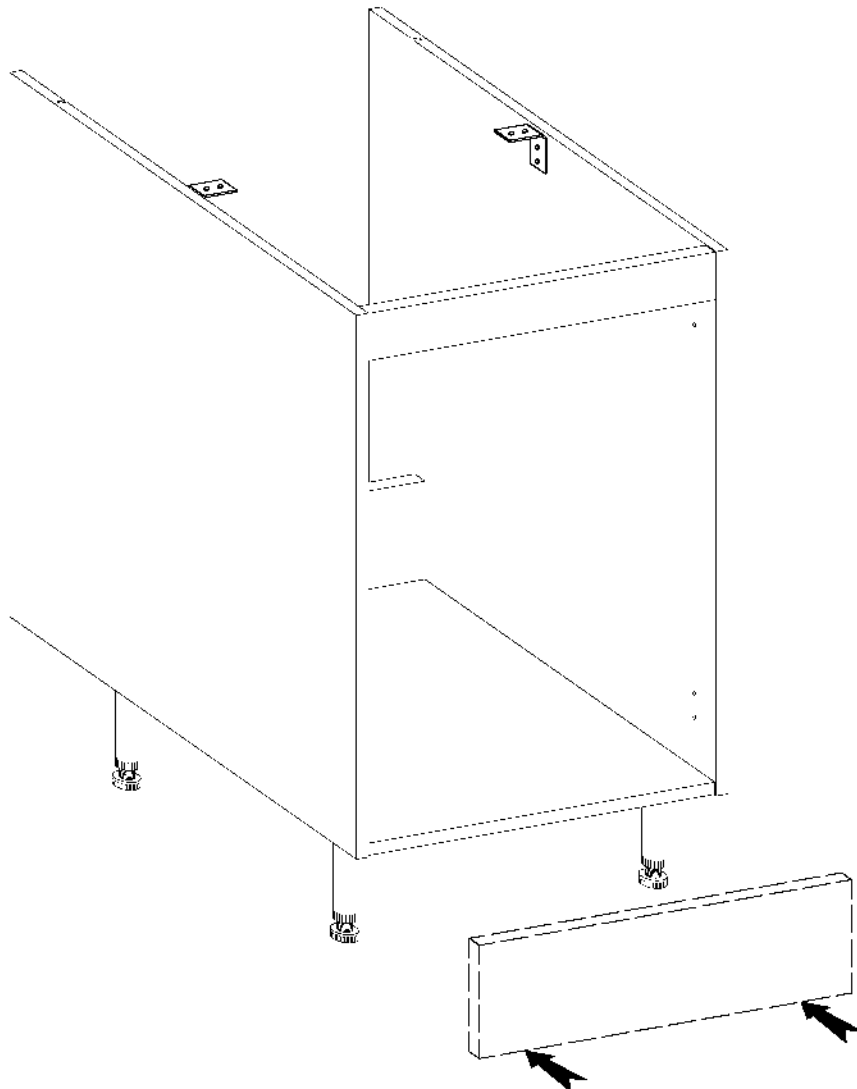
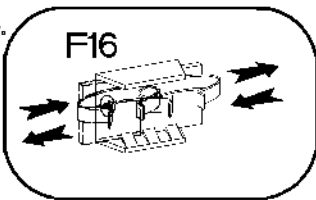
2.





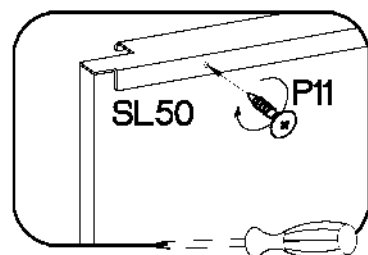
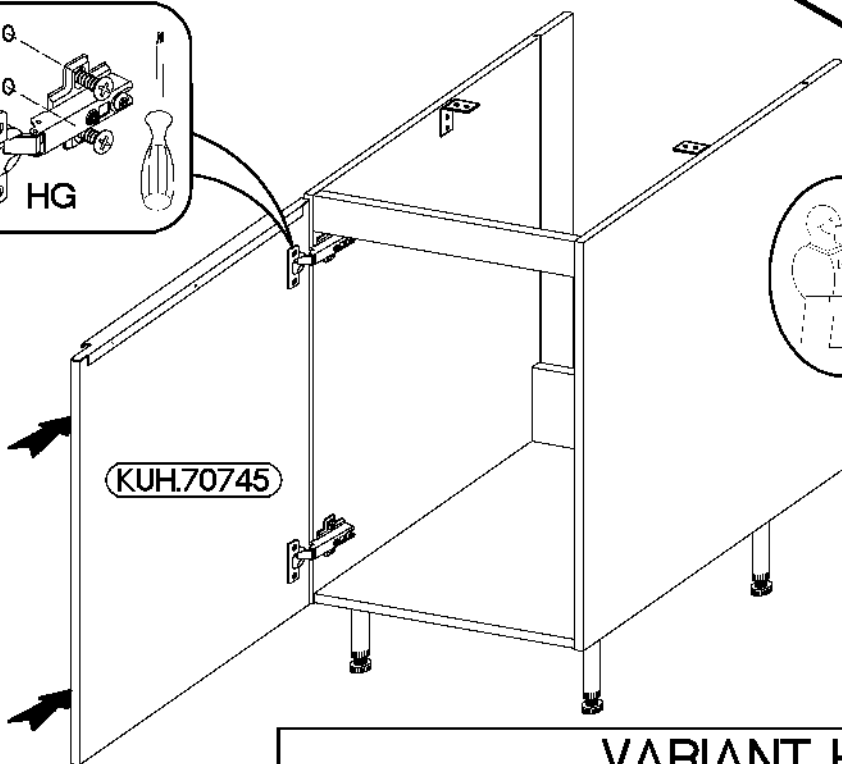
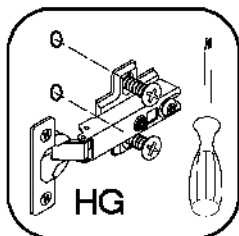
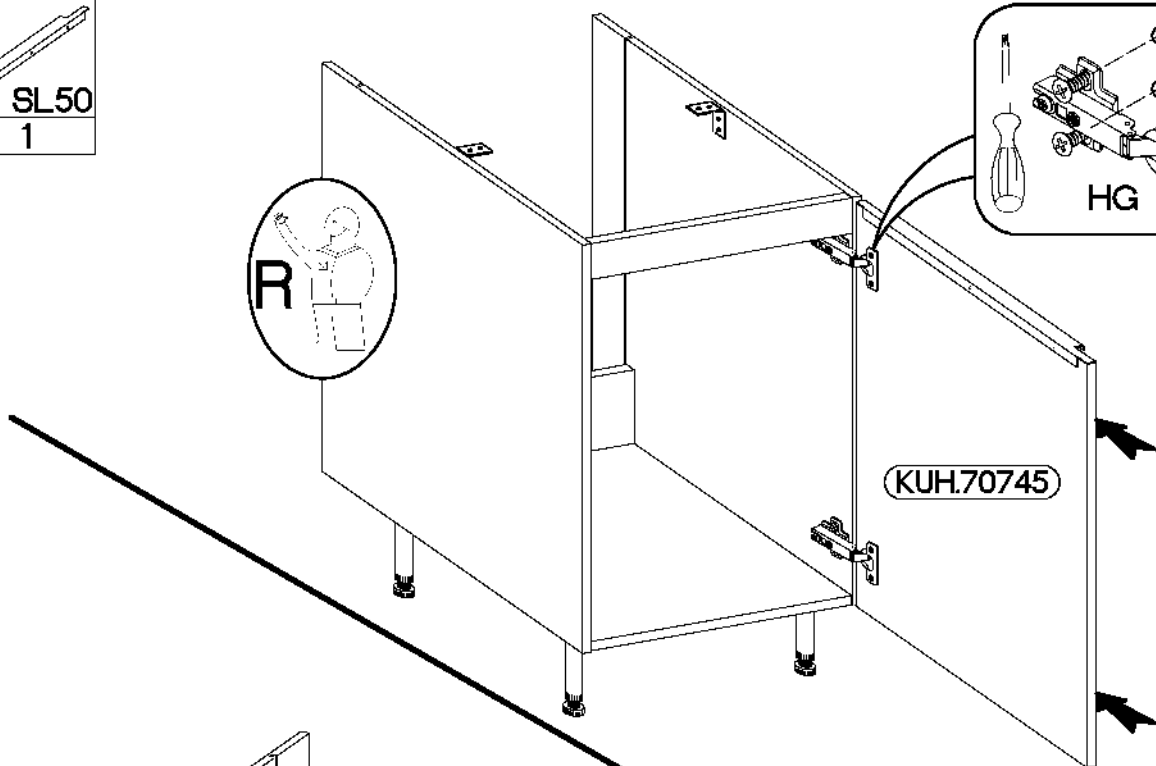
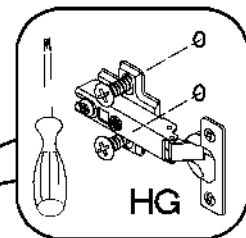
3.



4.

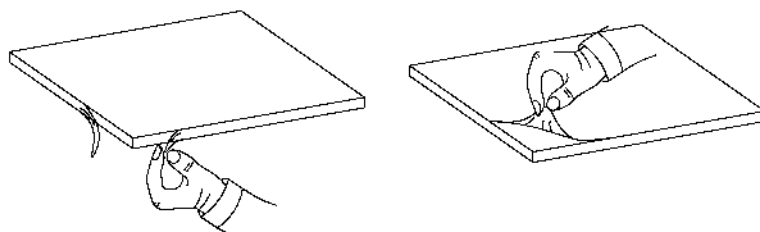


Ø3.0x16mm	L=495mm
	
P11	SL50
3	1



VARIANT HIGH GLOSS

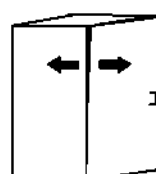
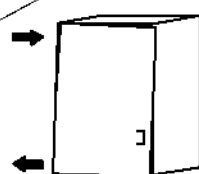
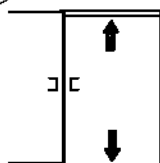
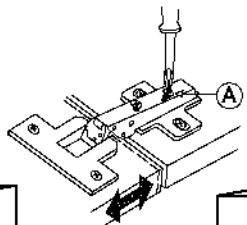
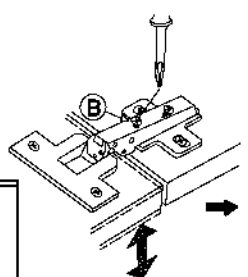
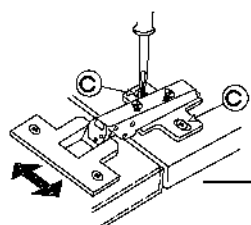
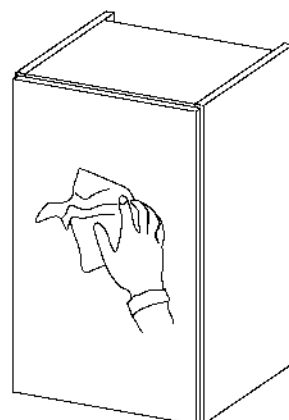
1.

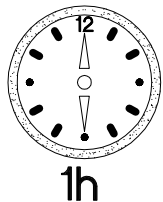
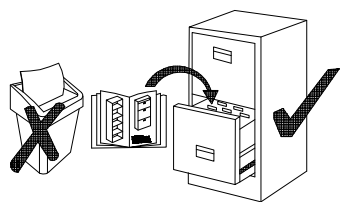
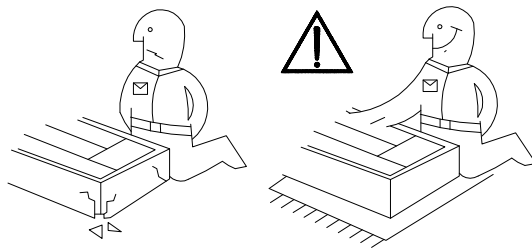
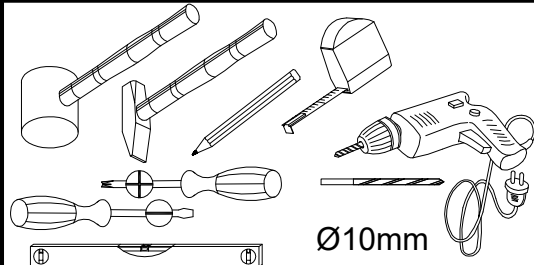
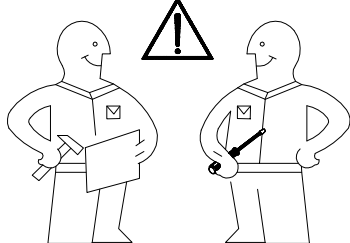


2.



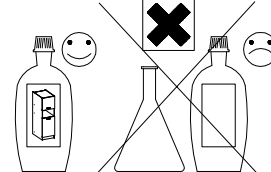
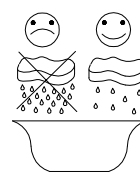
3.



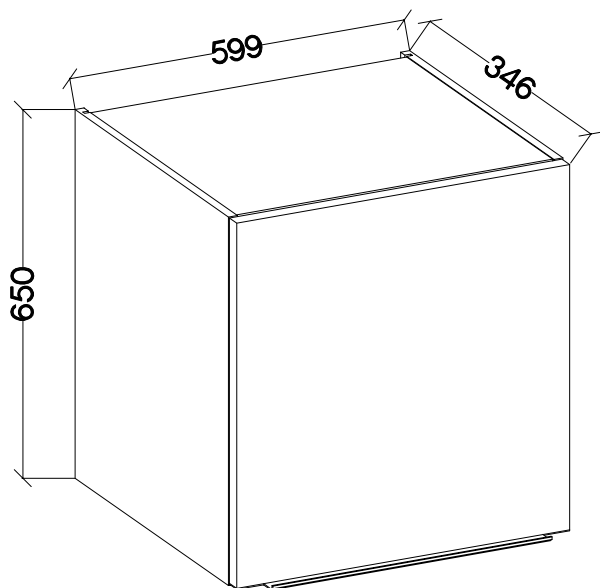


SAFADO / MARLEEN

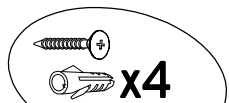
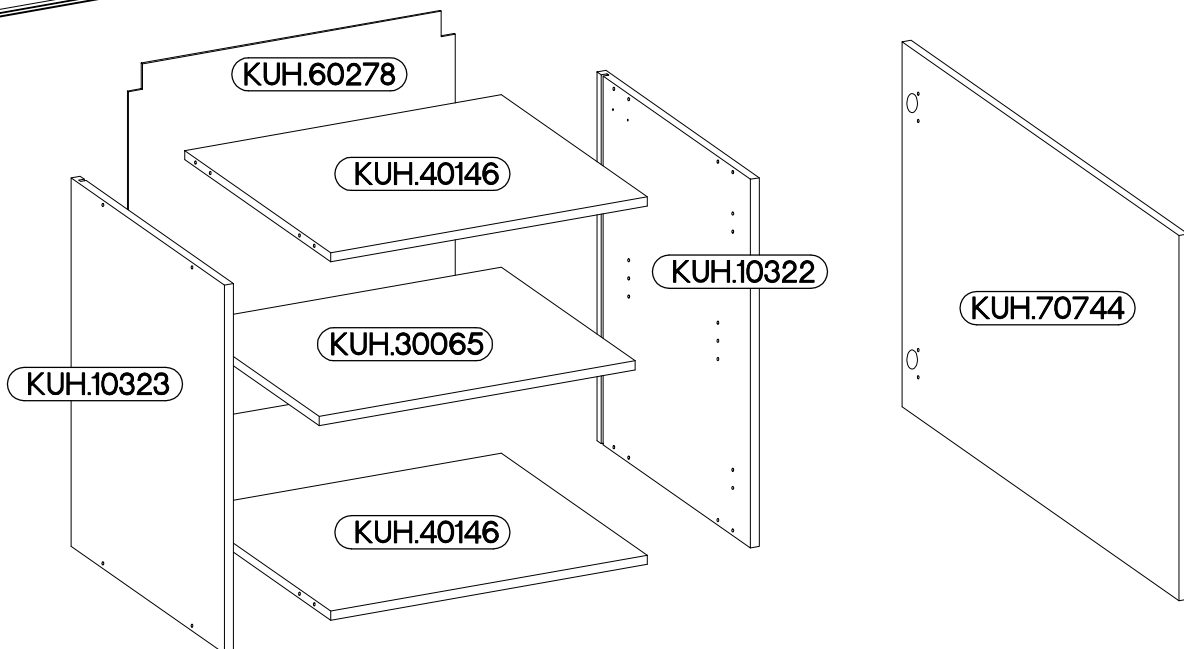
84-170-...
84-176-...
84-17E-...



respekta®



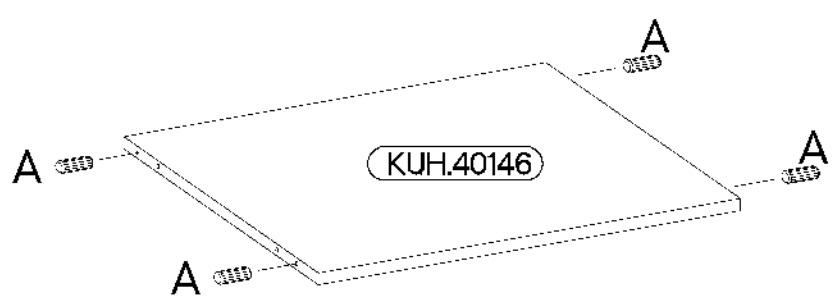
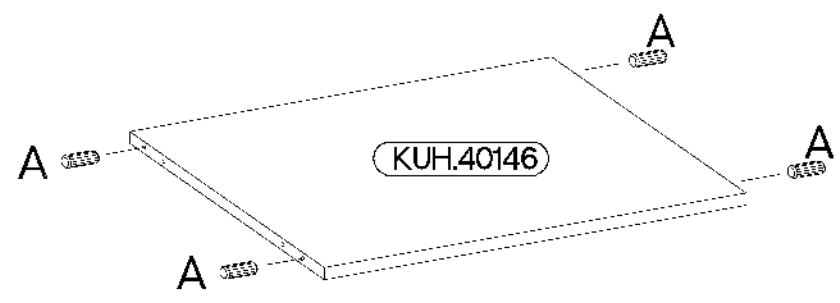
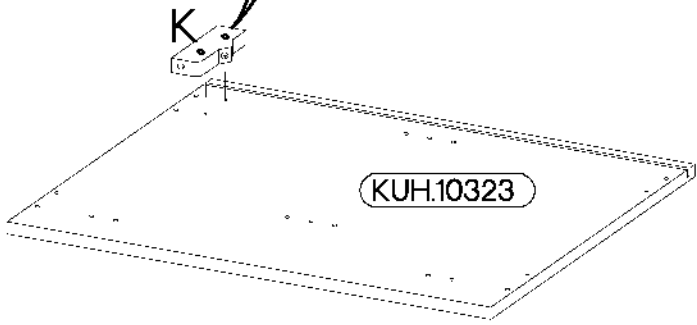
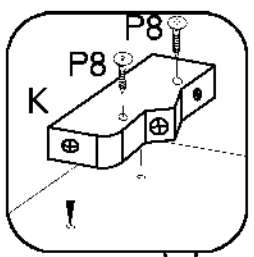
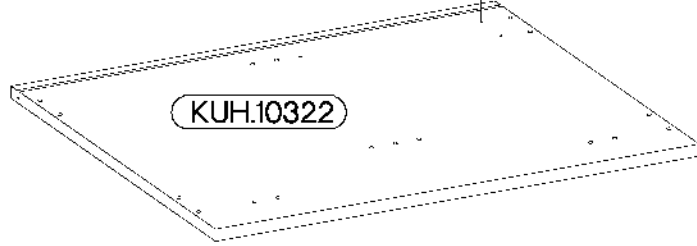
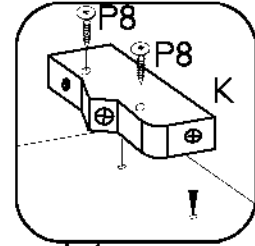
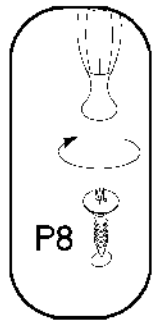
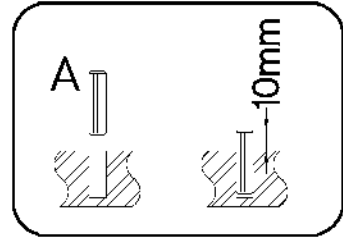
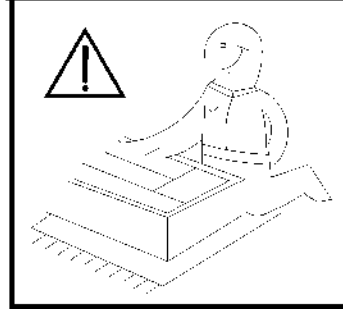
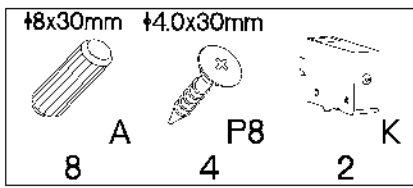
max. 5kg
KUH.30065
KUH.40146



 A 8	 B 8	 E1 8	 HG 2	 J3 4	 K 2	 K16 2
 O 1	 P5 4	 P7 10-15	 P8 4	 P11 4	 R 2	 SL60 1

Colli	Spare Part	Dimension
Colli 5/6	KUH.10322	650x330x16
	KUH.10323	650x330x16
	KUH.30065	566x288x16
	KUH.40146 x2	567x314x16
	KUH.60278	646x585x2,5
	KUH.70744	644x596x16

ISM-KUH-01604



2

6,4 x 50mm



4

B



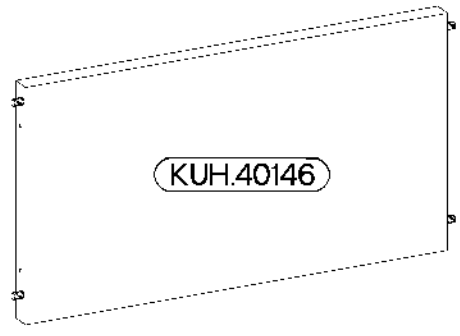
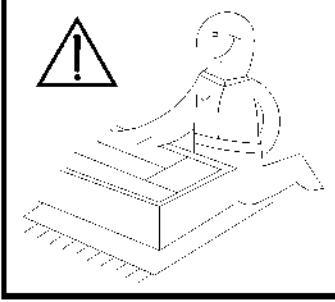
1

O

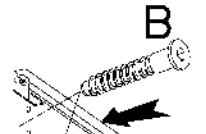


4

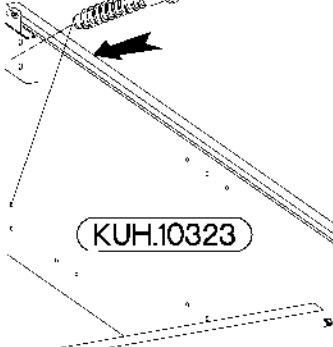
E1



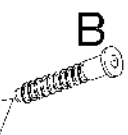
KUH.40146



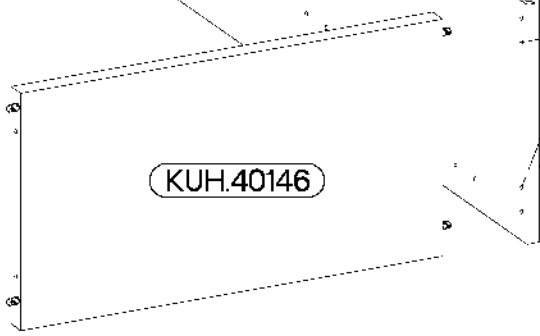
B



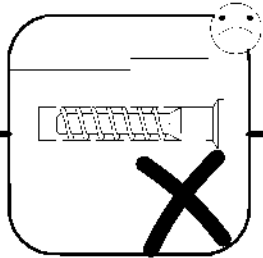
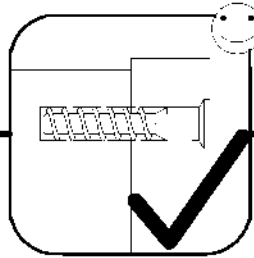
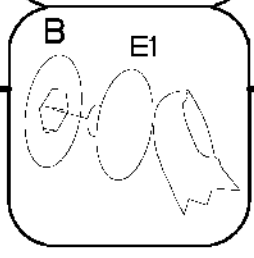
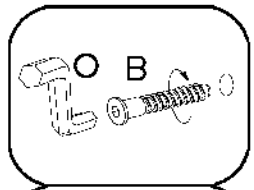
KUH.10323



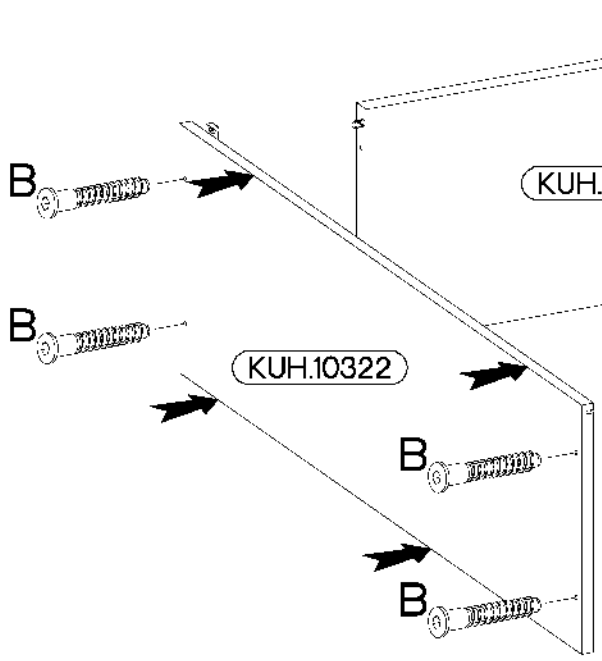
B



KUH.40146



3



KUH.40146

KUH.10322

KUH.10323

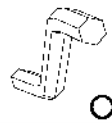
KUH.40146

6,4 x 50mm



4

B



1

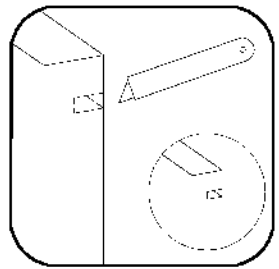
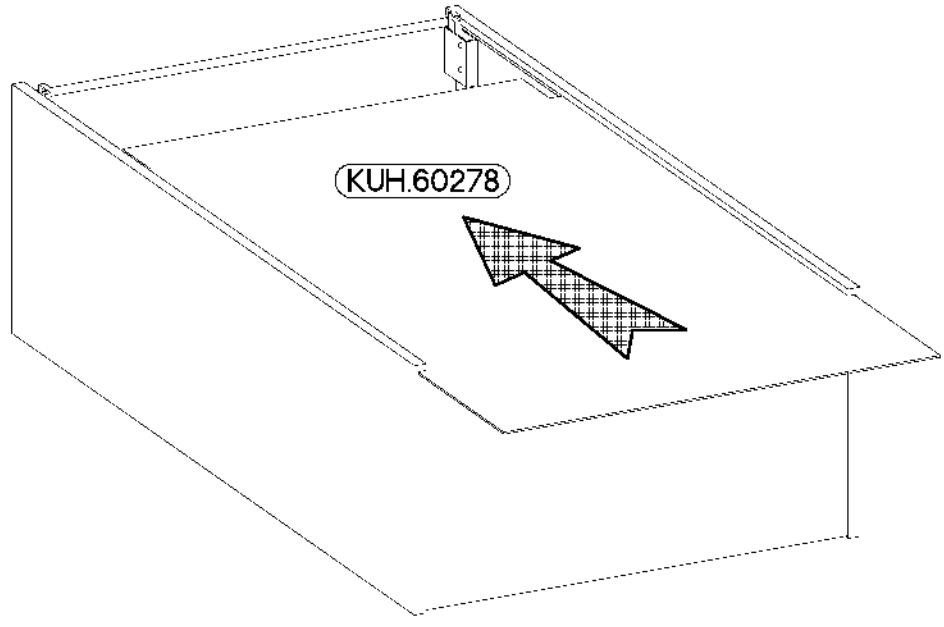
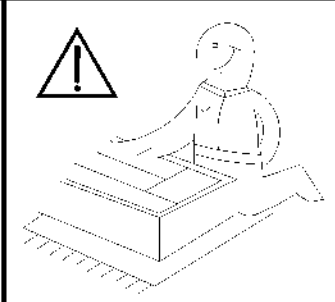
O



4

E1

4



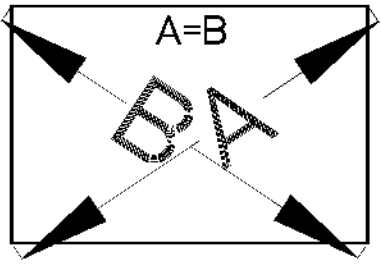
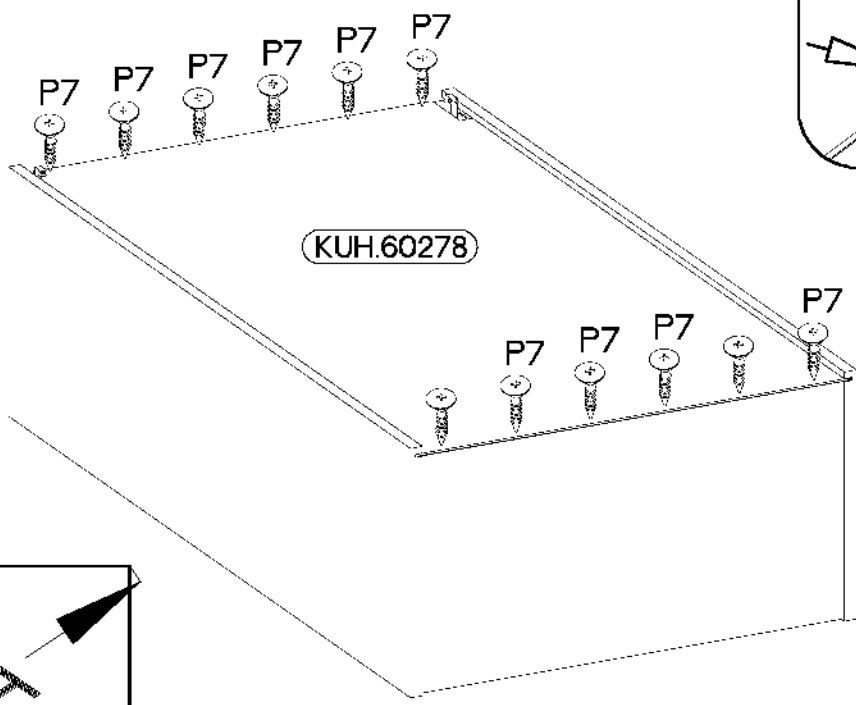
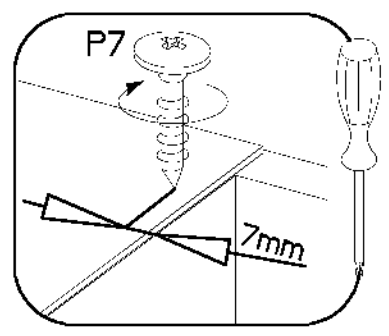
5

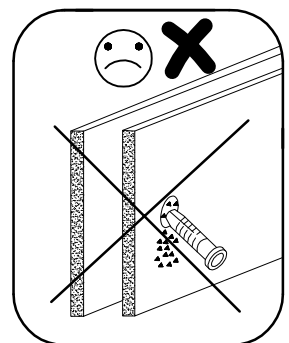
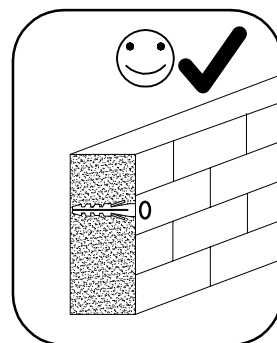
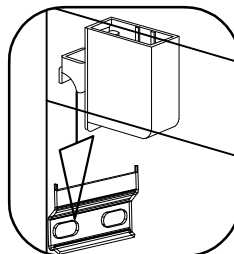
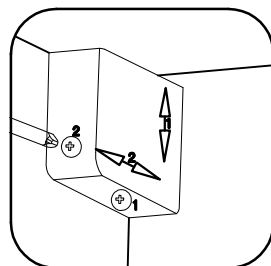
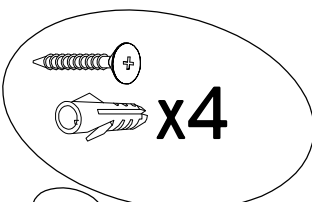
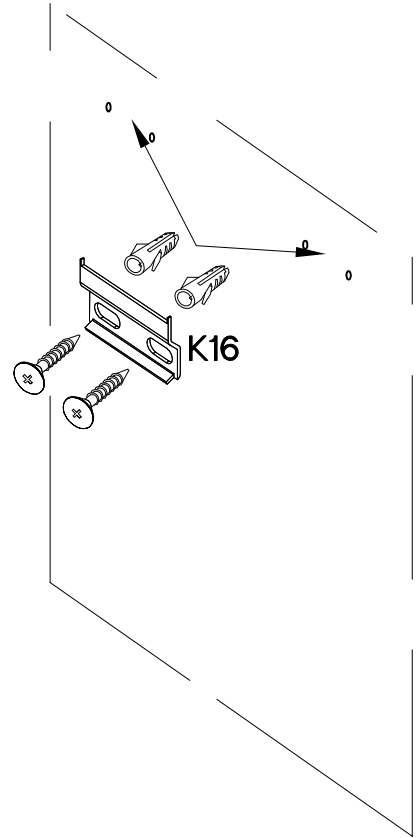
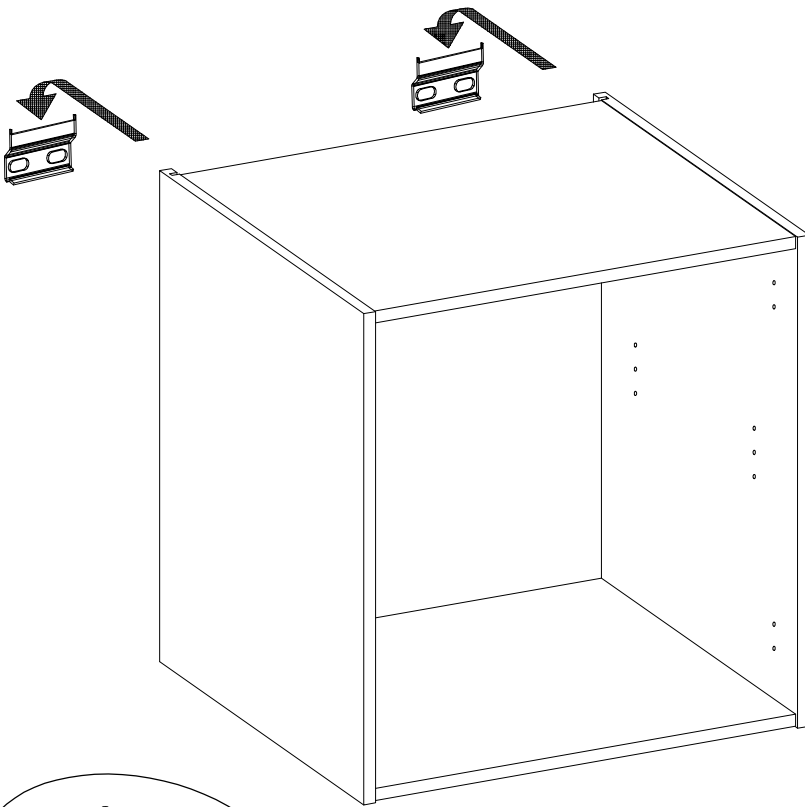
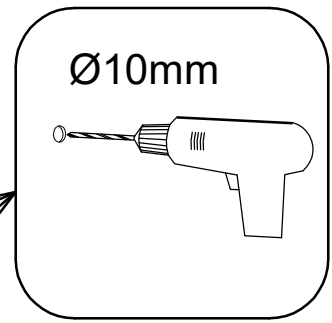
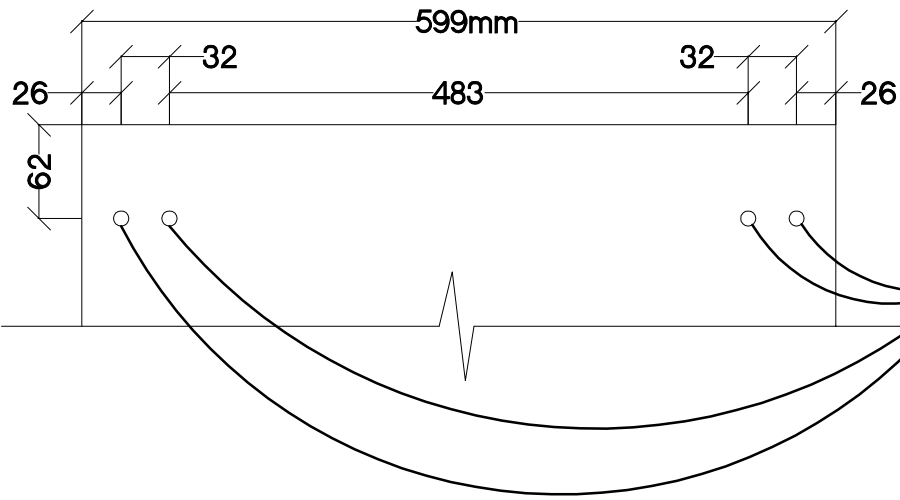
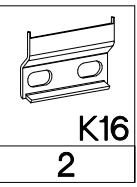
±3.0x20mm



P7

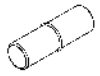
10-15





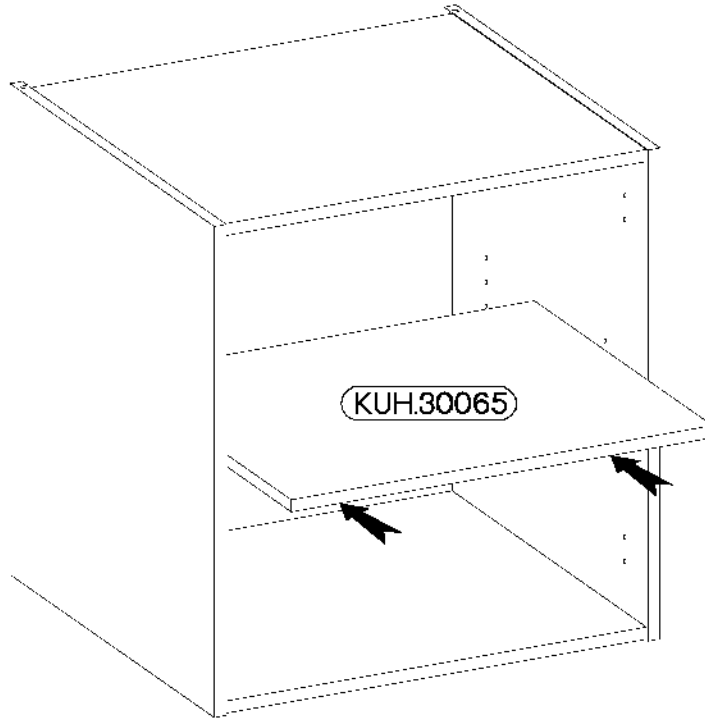
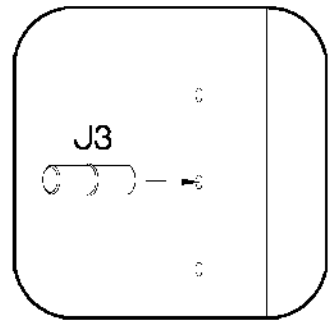


±5/16mm



J3

4



8

±35/0mm

±3.5x13mm



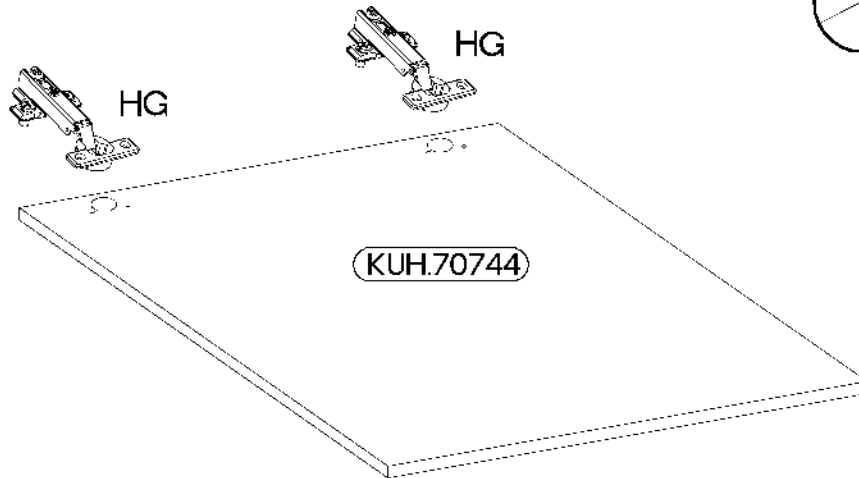
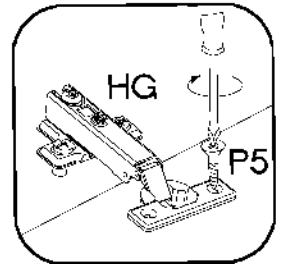
HG

2


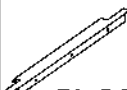


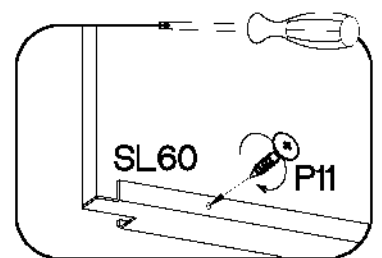
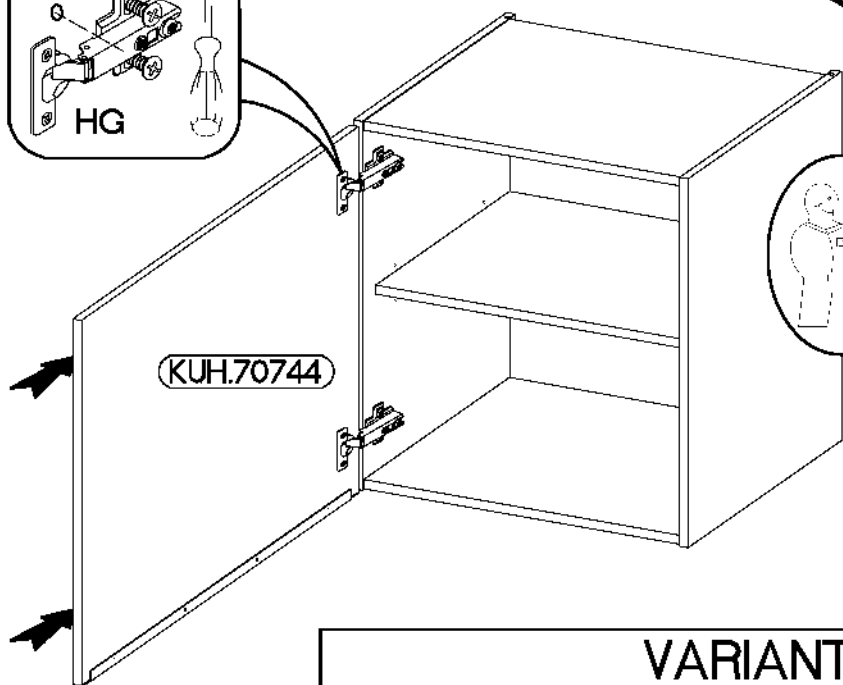
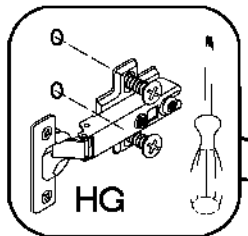
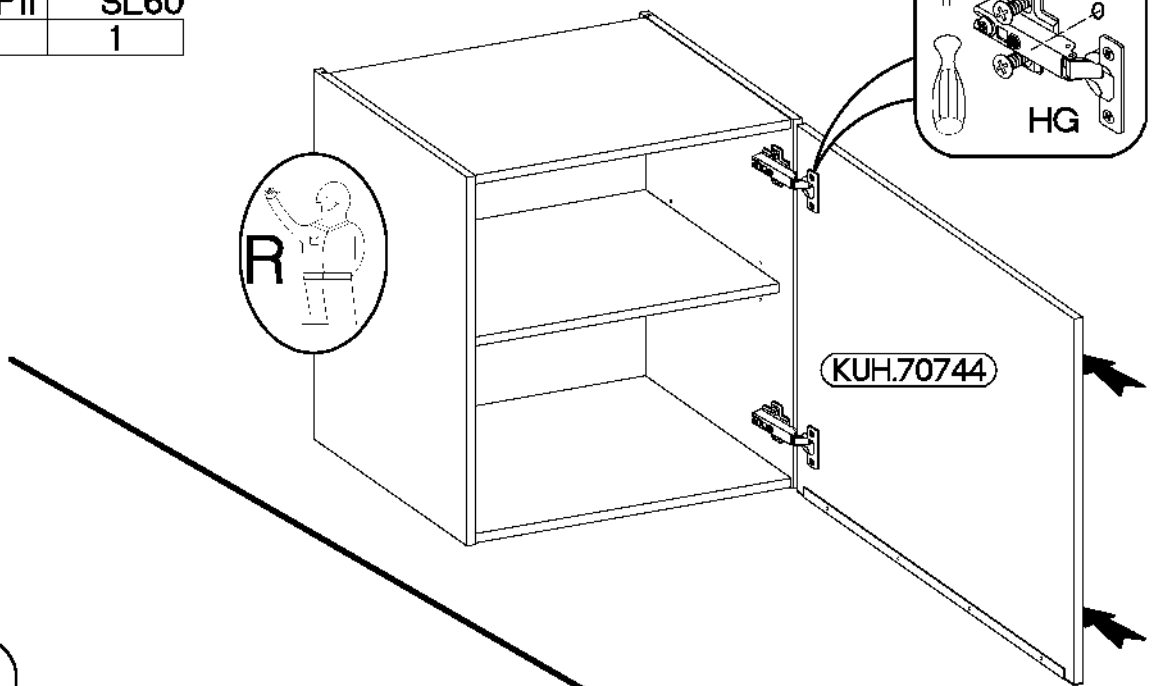
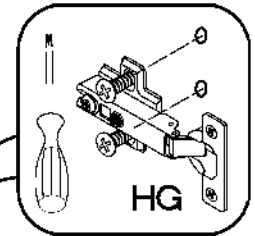
P5

4

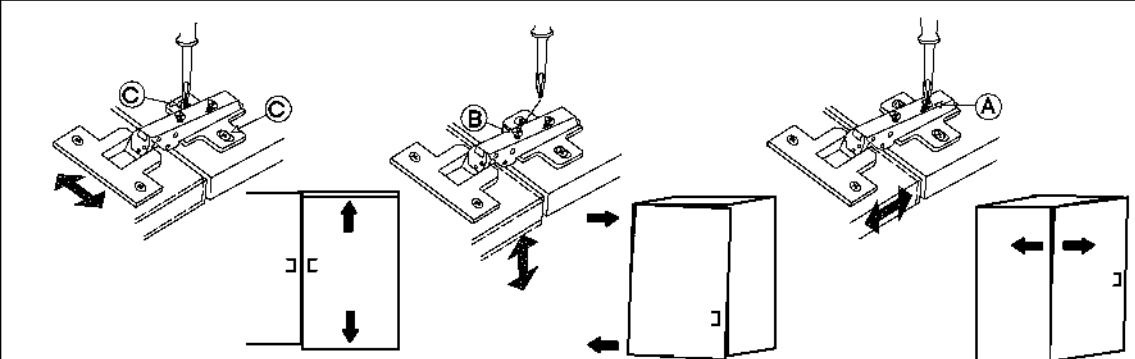
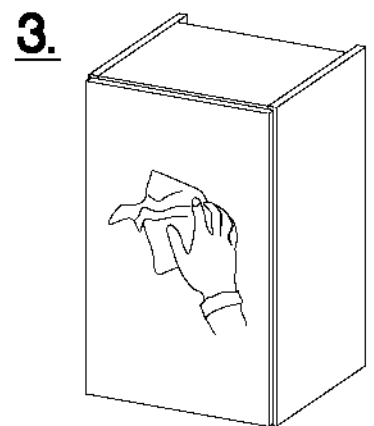
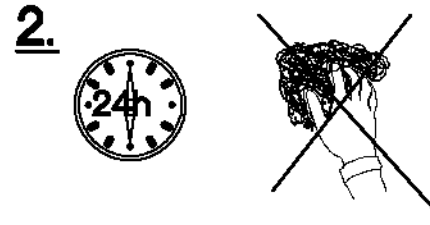
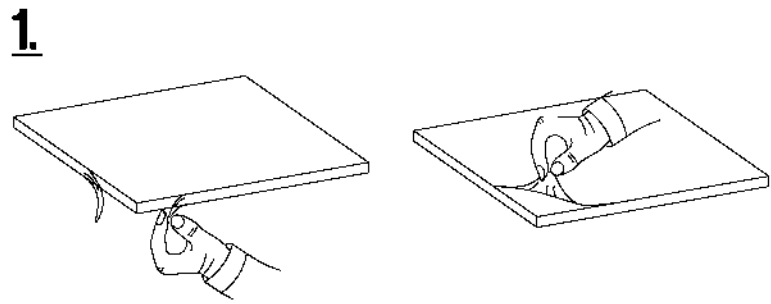


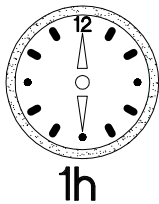
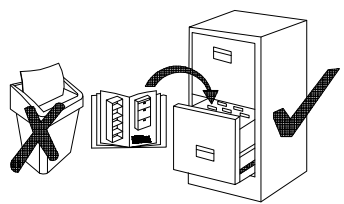
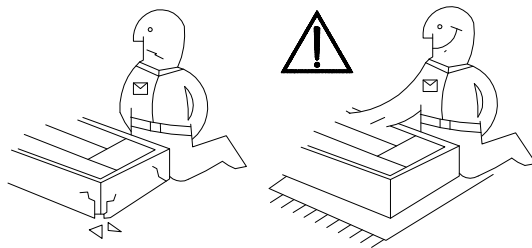
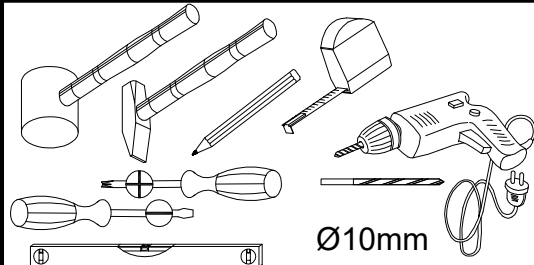
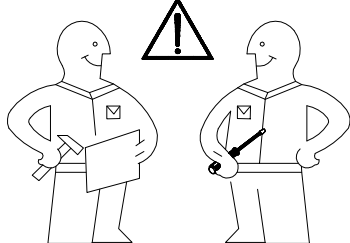
9

3.0x16mm	L=595mm
	
P11	SL60
4	1

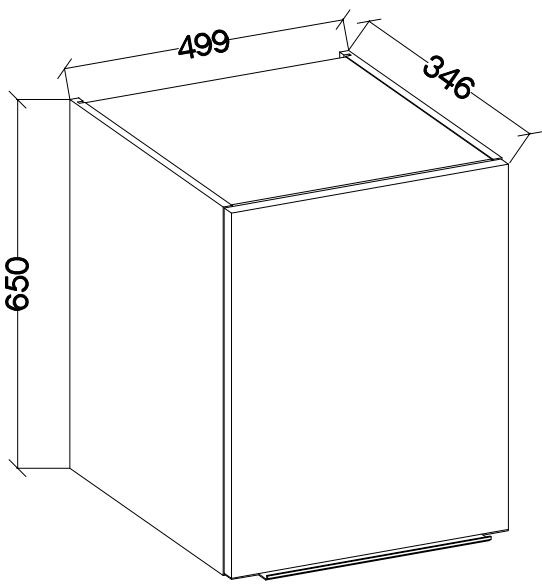


VARIANT HIGH GLOSS

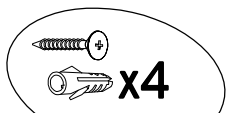
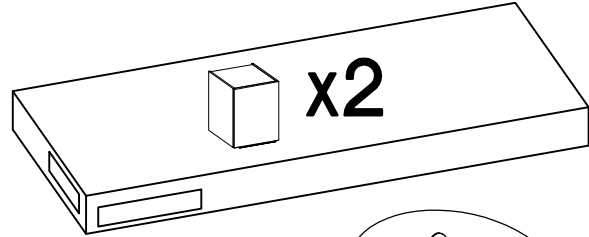




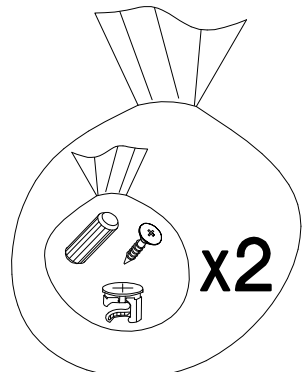
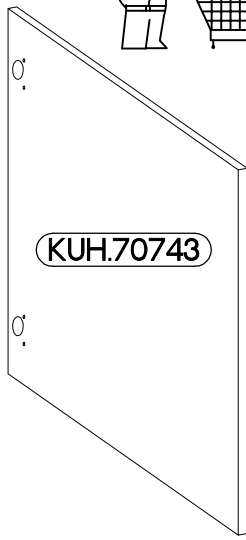
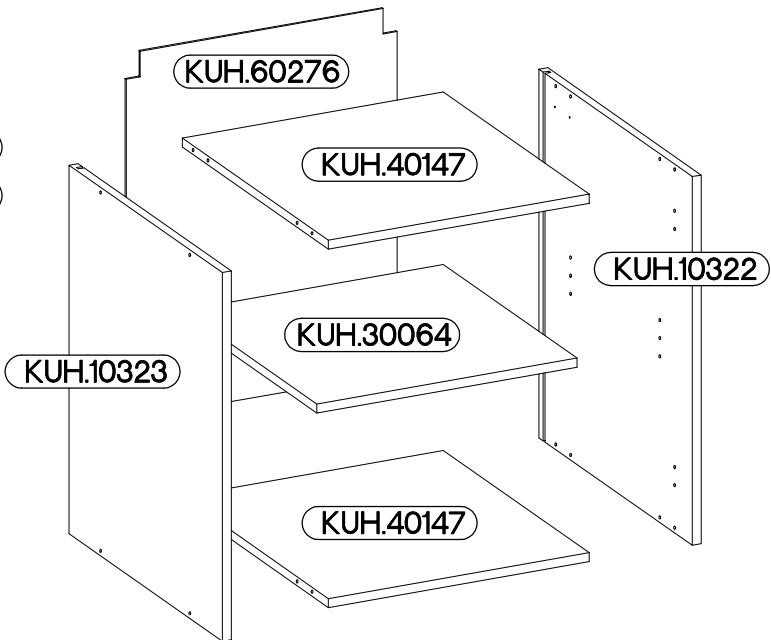
SAFADO / MARLEEN
 84-170-...
 84-176-...
 84-17D-...



respekta®



max. 5kg
 KUH.30064
 KUH.40147

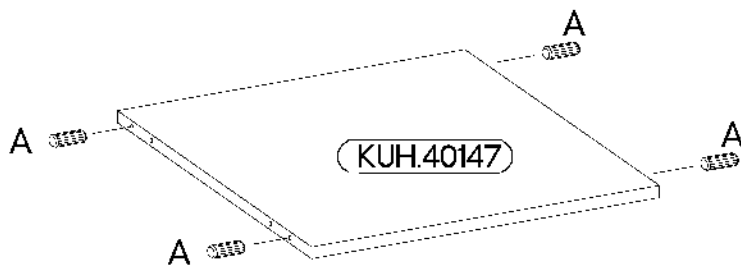
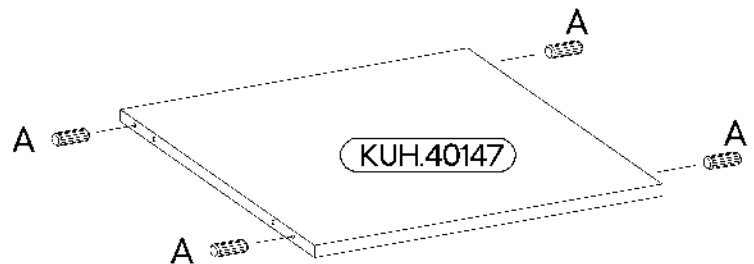
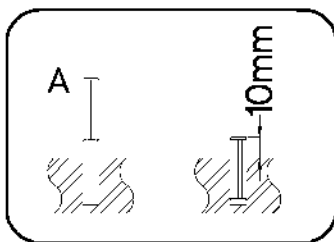
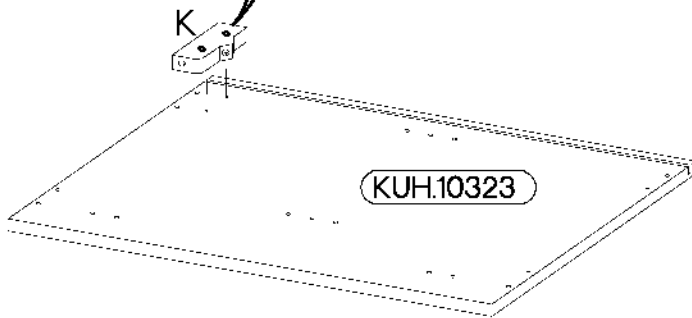
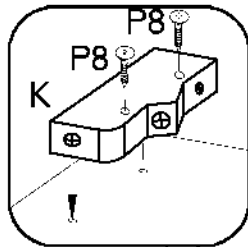
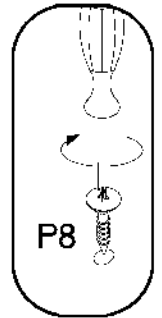
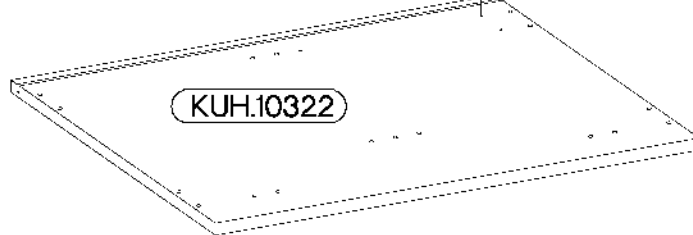
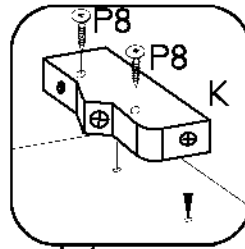
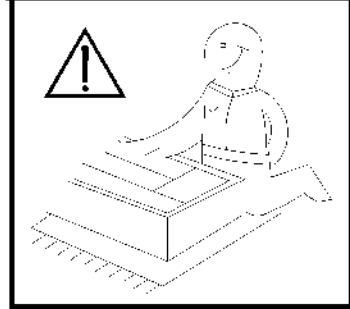
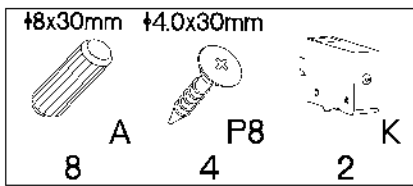


Colli	Spare Part	Dimension
Colli 4/6	KUH.10322	650x330x16
	KUH.10323	650x330x16
	KUH.30064	466x288x16
	KUH.40147 x2	467x314x16
	KUH.60276	646x485x2,5
	KUH.70743	644x496x16

x2

†8x30mm A 8	6,4 x 50mm B 8	 E1 8	†35/0mm HG 2	†5/16mm J3 4	 K 2
 K16 2	 O 1	†3.5x13mm P5 4	†3.0x20mm P7 8-10	†4.0x30mm P8 4	†3.0x16mm P11 3
L=495mm SL50 1					

ISM-KUH-01605



2

6,4 x 50mm



4

B



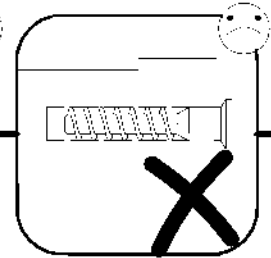
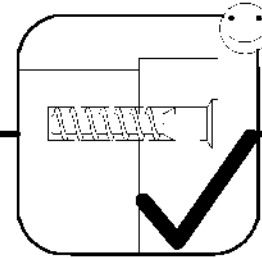
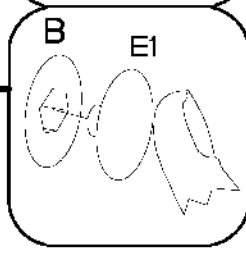
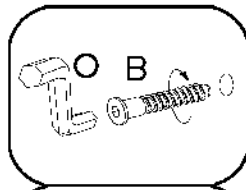
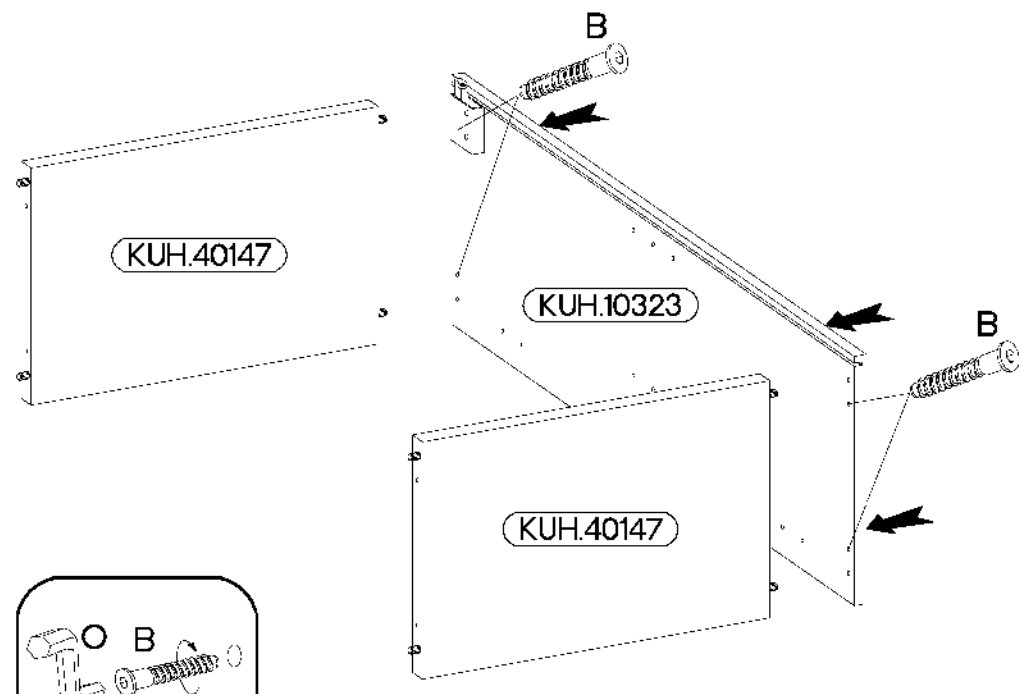
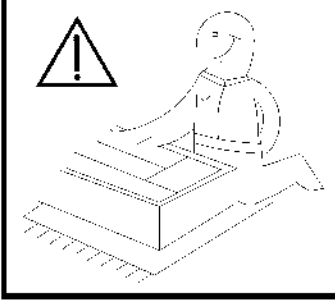
1

O

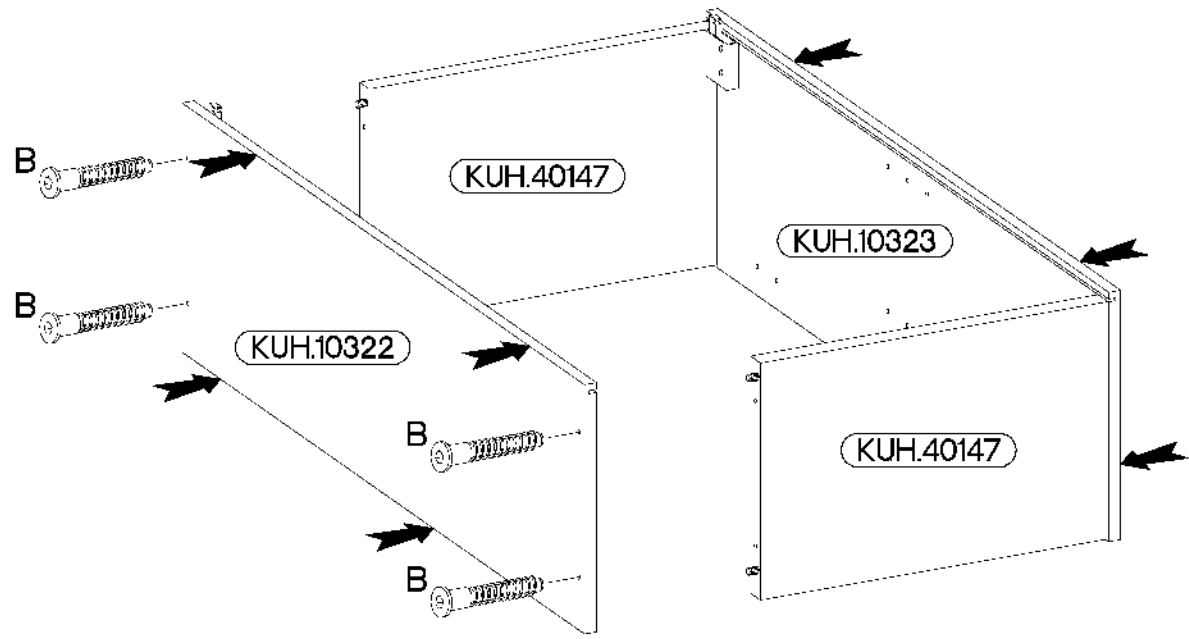


4

E1



3

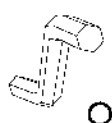


6,4 x 50mm



4

B



1

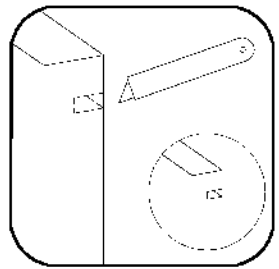
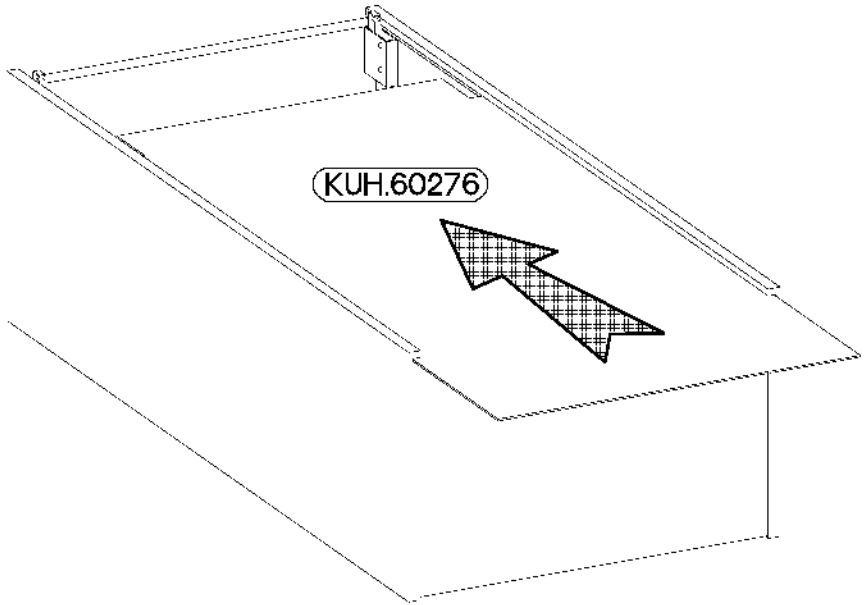
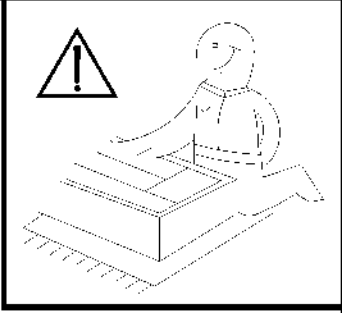
O



4

E1

4



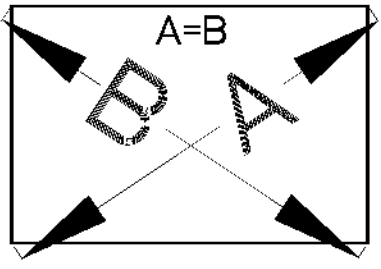
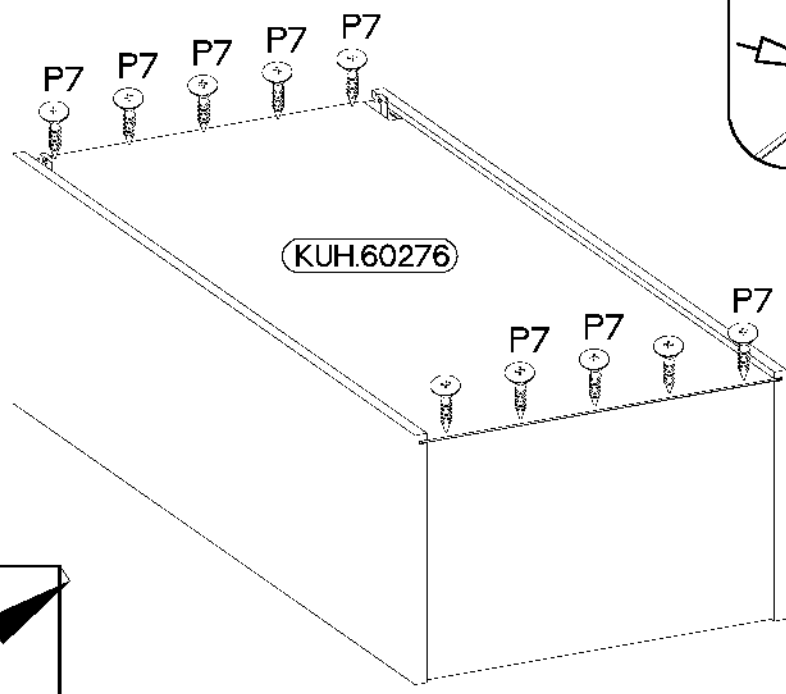
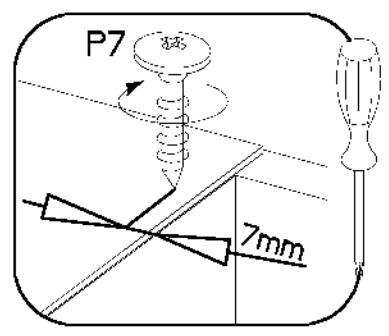
5

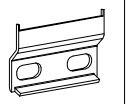
±3.0x20mm



P7

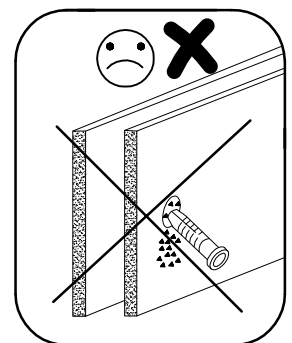
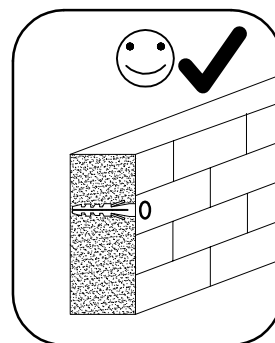
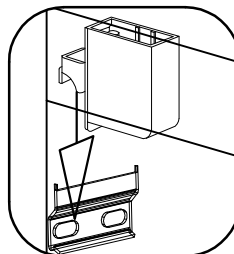
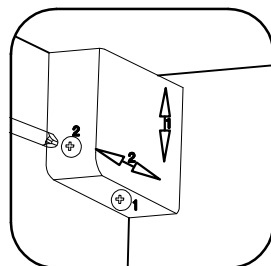
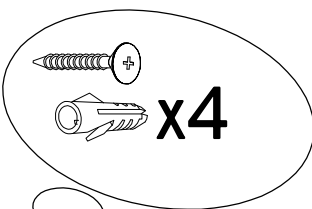
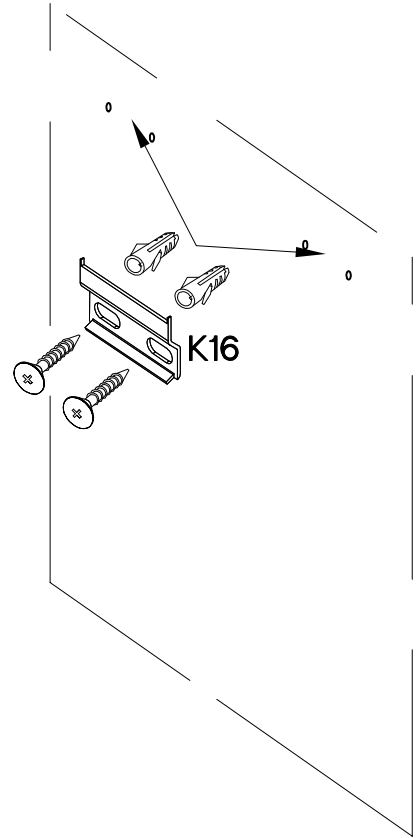
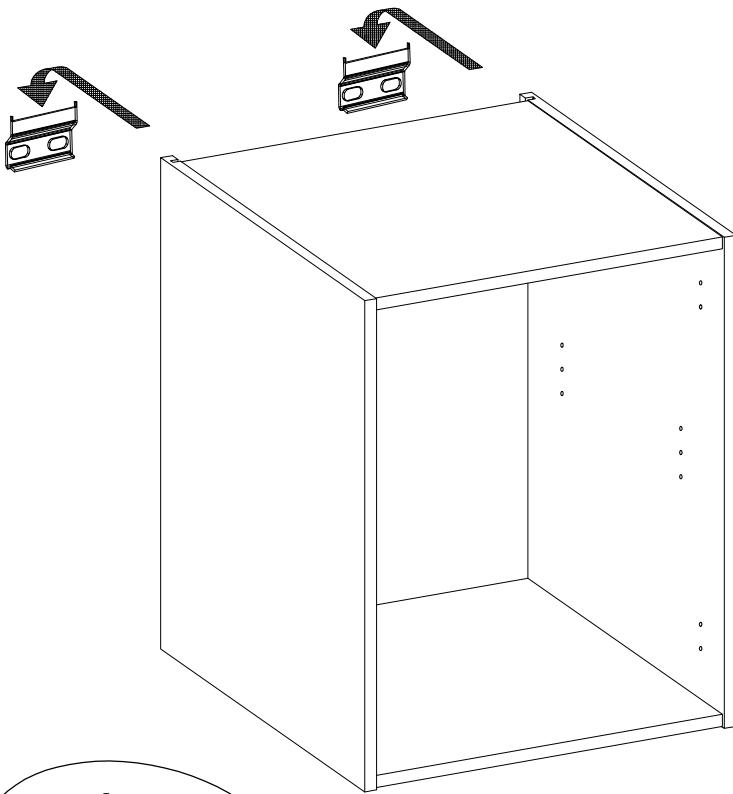
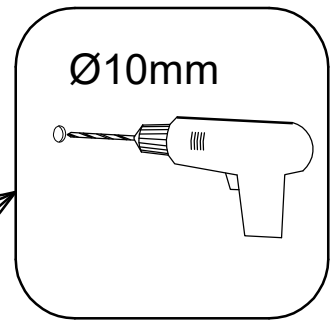
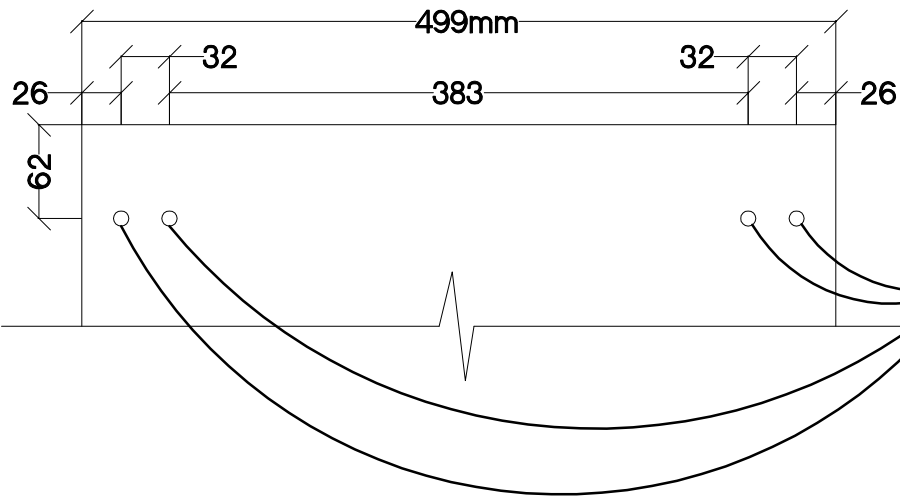
8-10





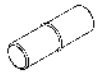
K16

2



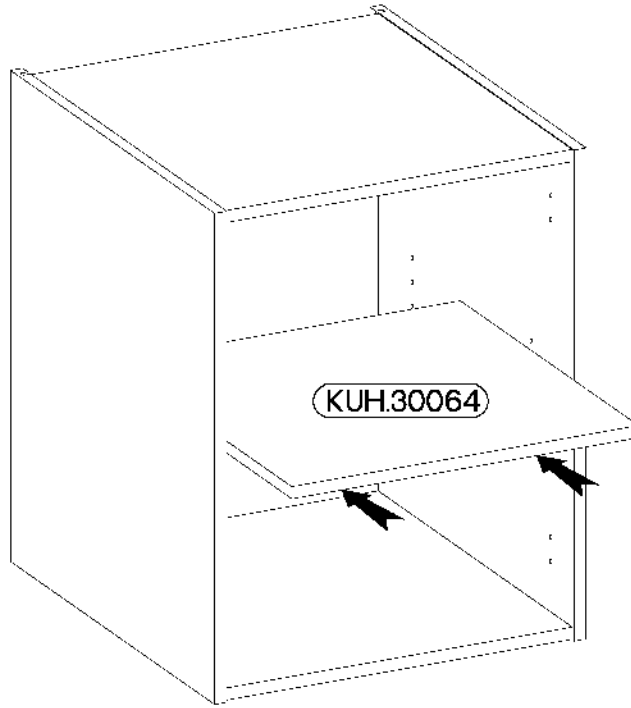
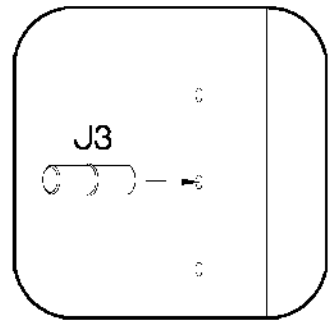


±5/16mm



J3

4



8

±35/0mm

±3.5x13mm



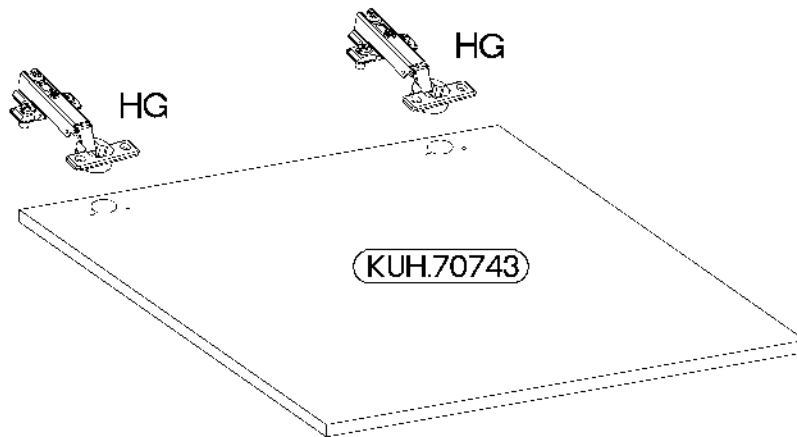
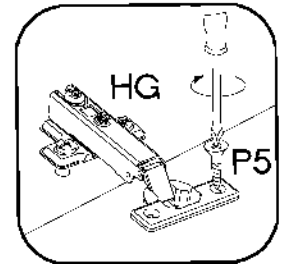
HG



2

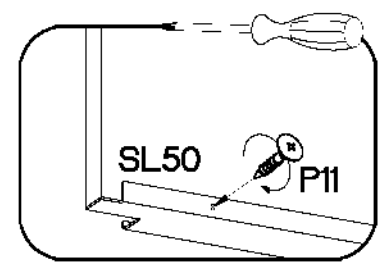
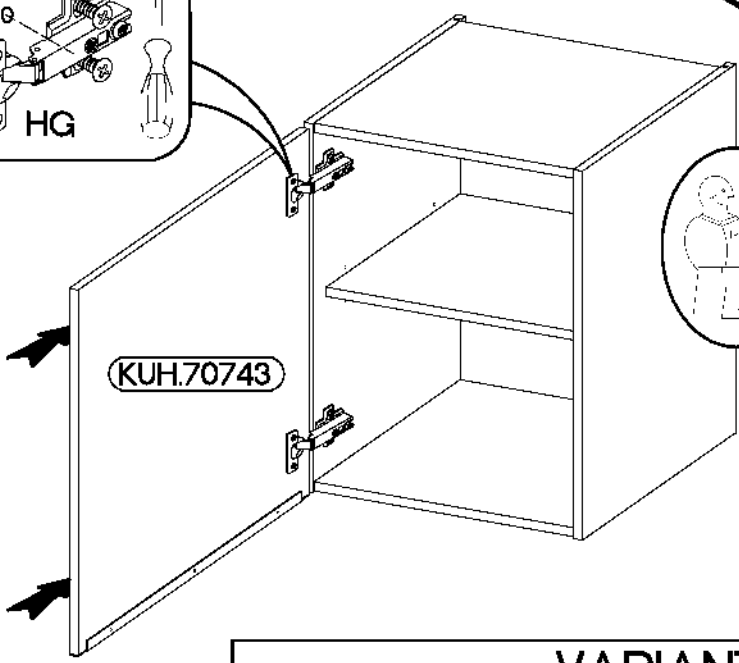
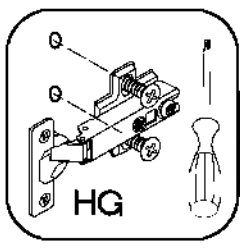
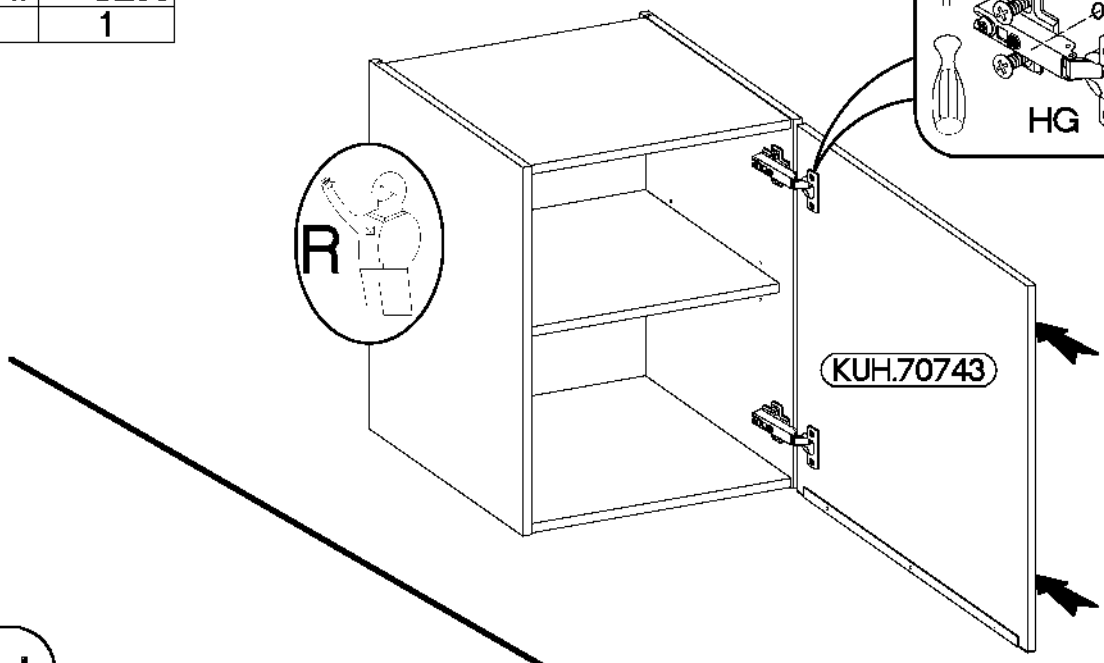
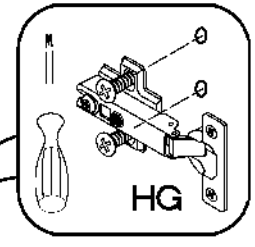
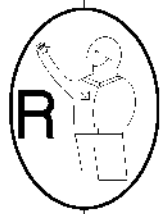


P5

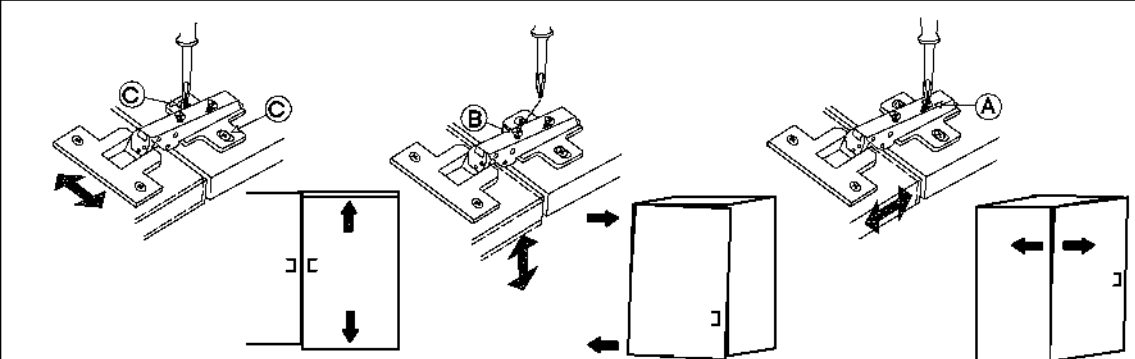
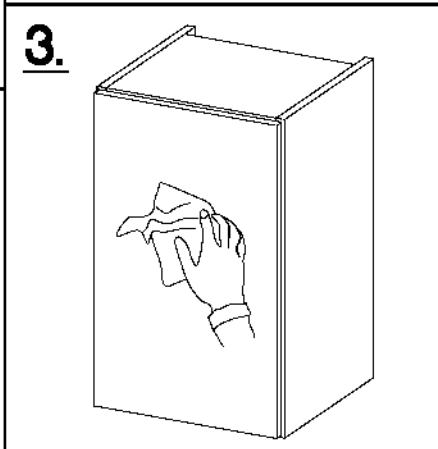
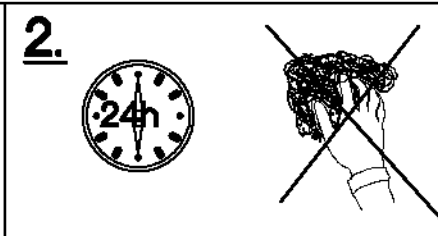
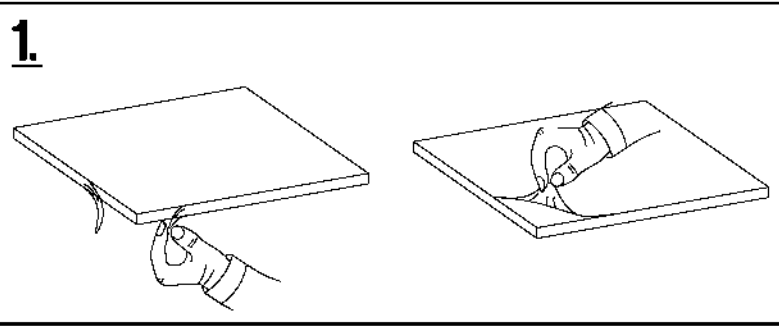
4

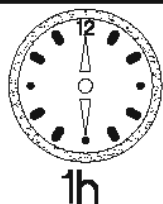
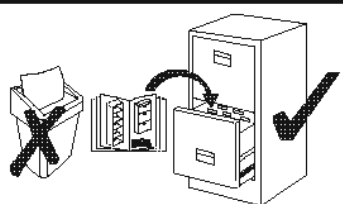
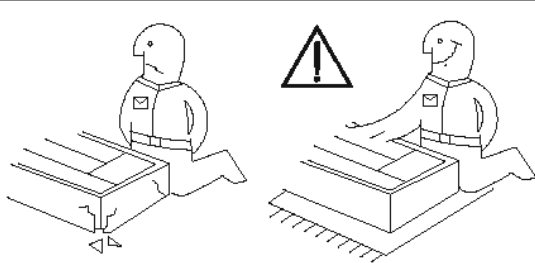
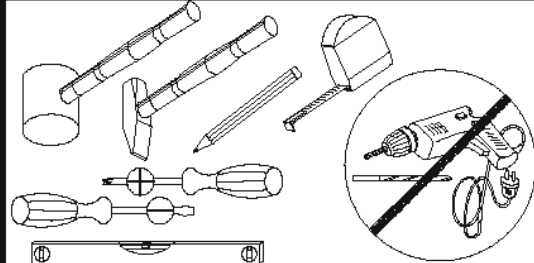
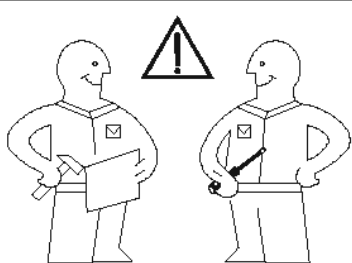


∅3.0x16mm	L=495mm
 P11	 SL50
3	1



VARIANT HIGH GLOSS



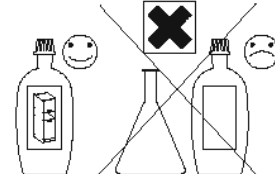


SAFADO / MARLEEN

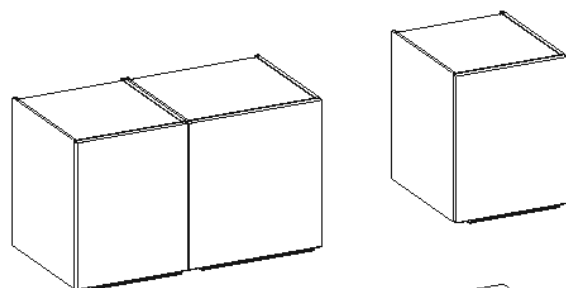
84-170-...

84-176-...

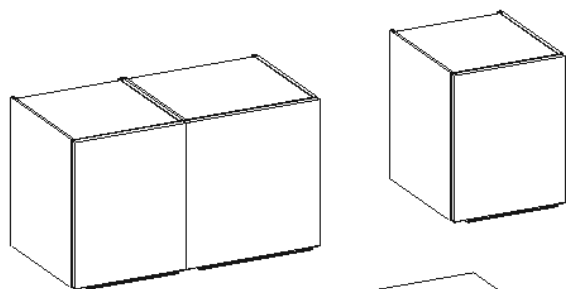
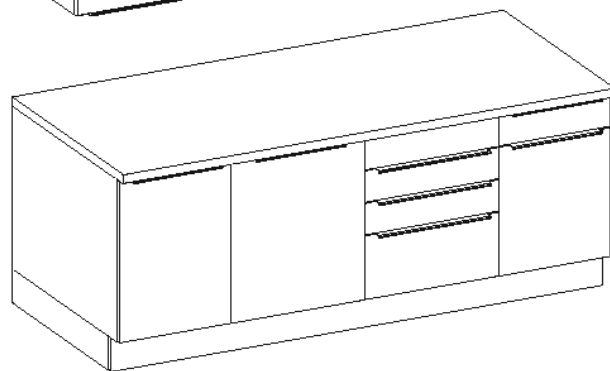
84-17F-...



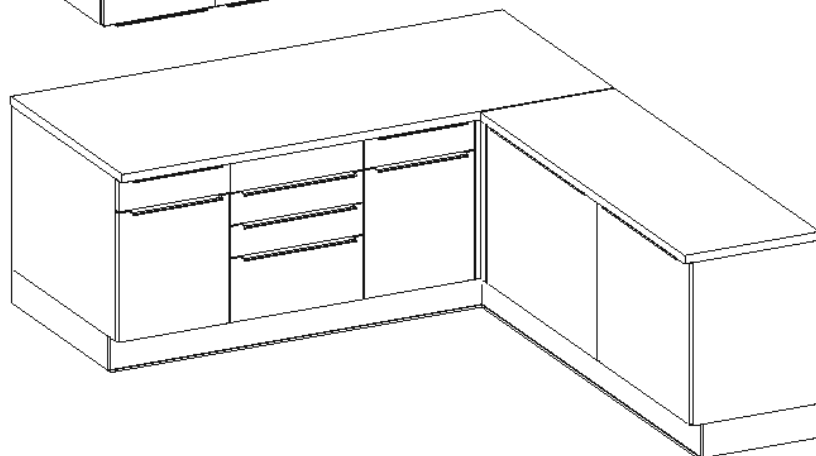
RESPEKTA®



VARIANT 1

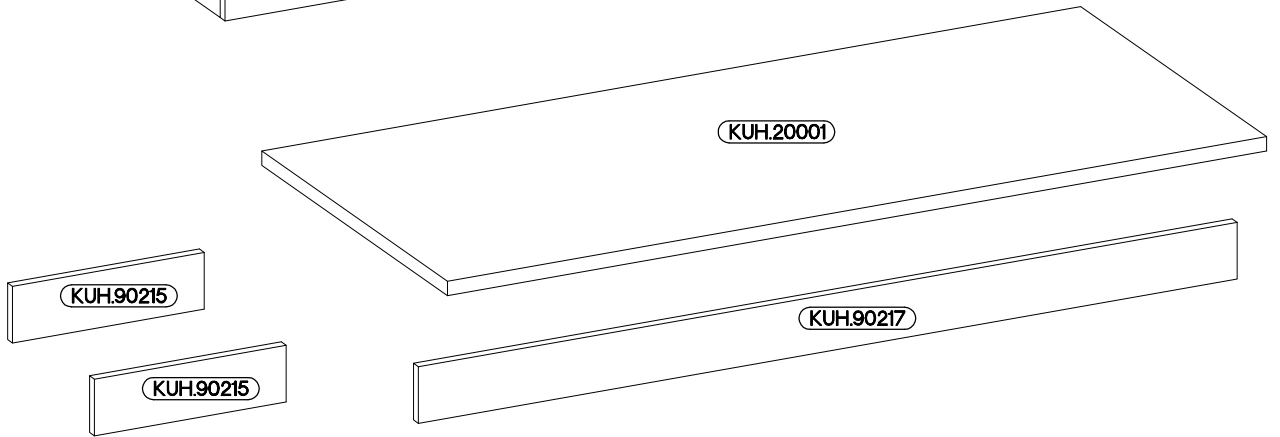
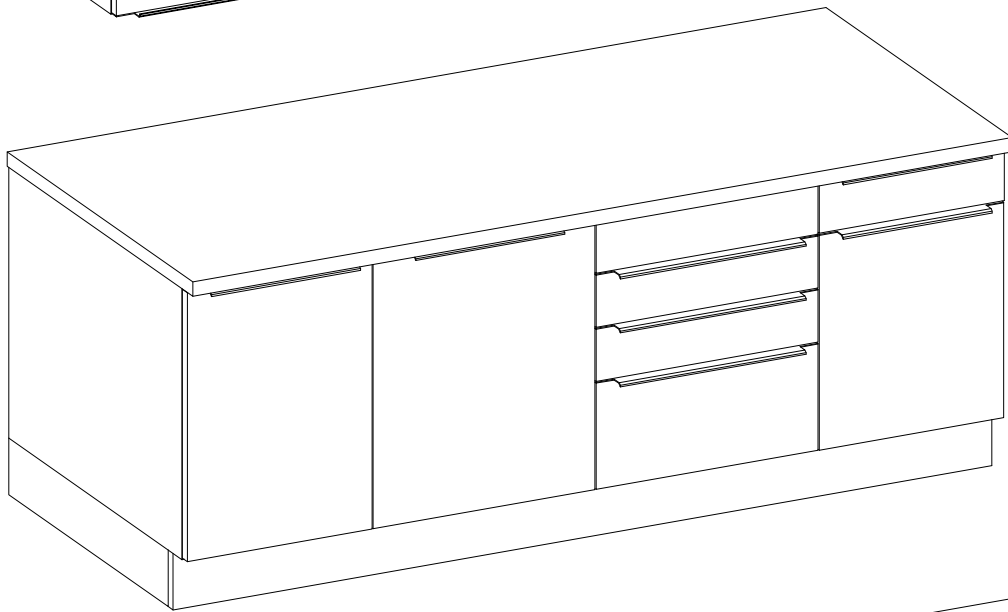
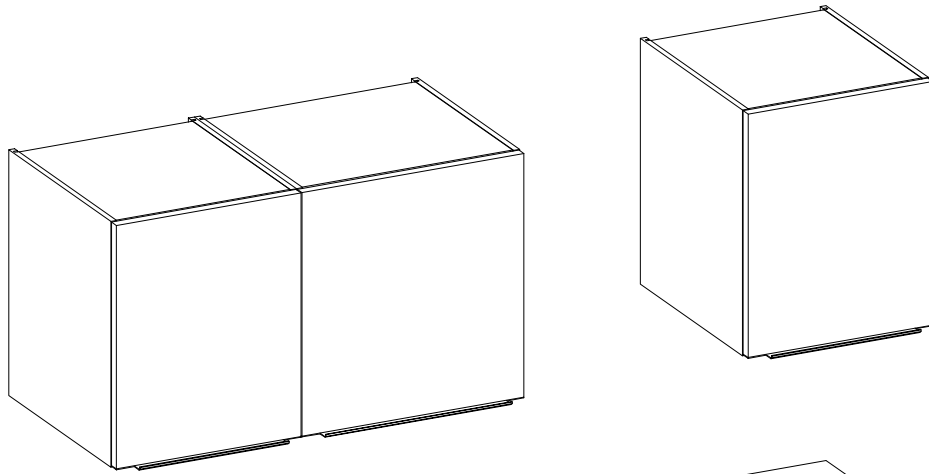


VARIANT 2



ISM-KUH-01597

VARIANT 1



Colli	Spare Part	Dimension
	KUH.20001	2200x600x38
Colli 6/6	KUH.90215 x2	515x150x16
	KUH.90217	2199x150x16

±3.5x13mm



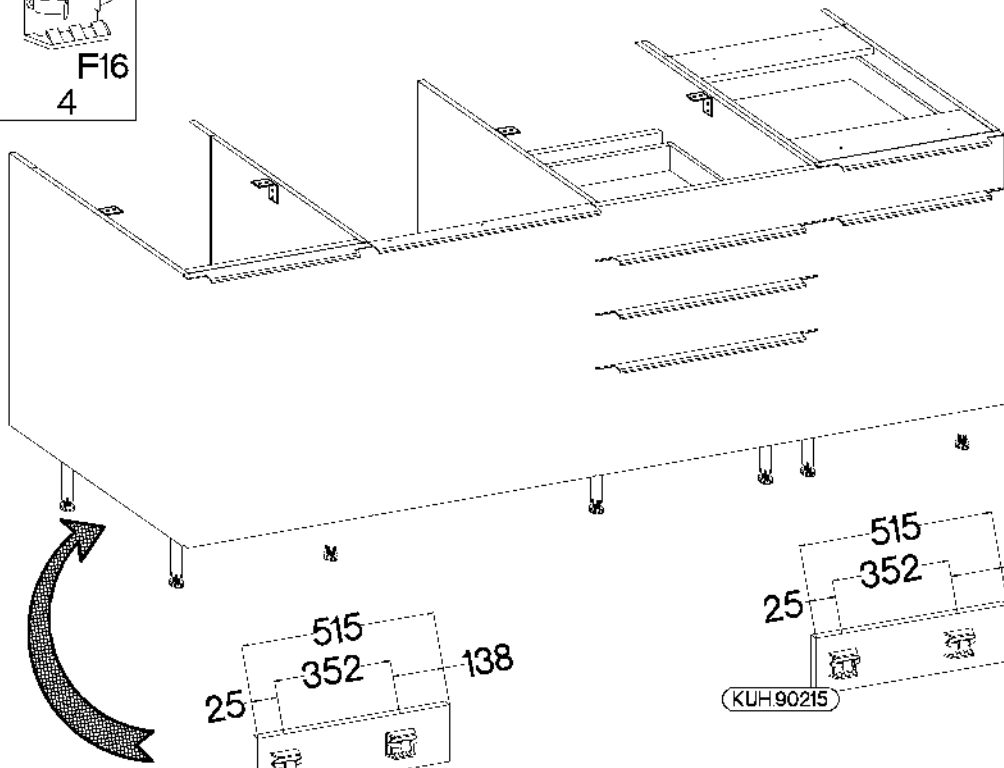
P5

8



F16

4

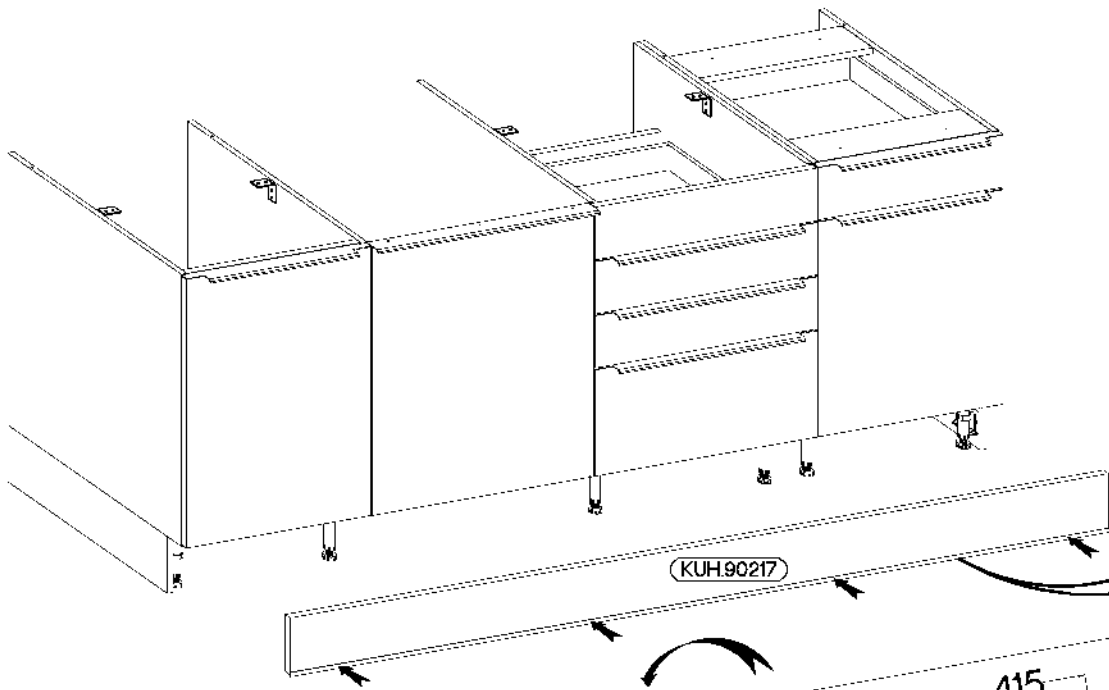


KUH.90215

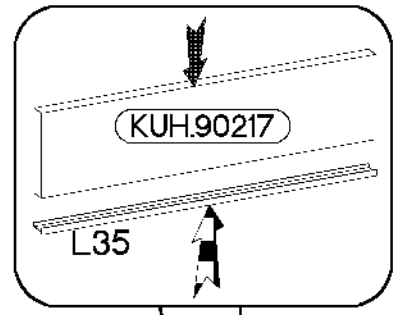
KUH.90215

2

- 1.
- 2.
- 3.
- 4.

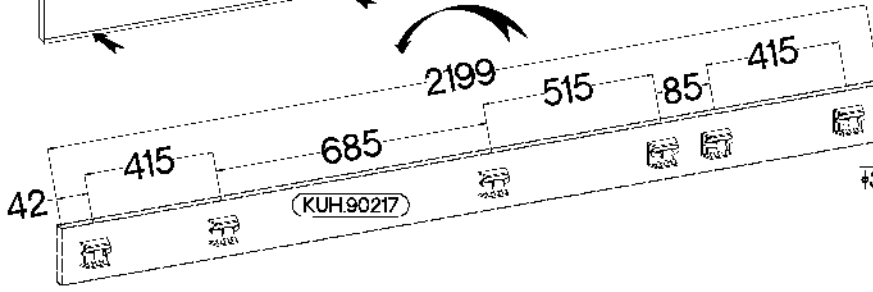


KUH.90217



KUH.90217

L35



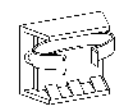
KUH.90217

±3.5x13mm



P5

12



F16

6



L=2200mm

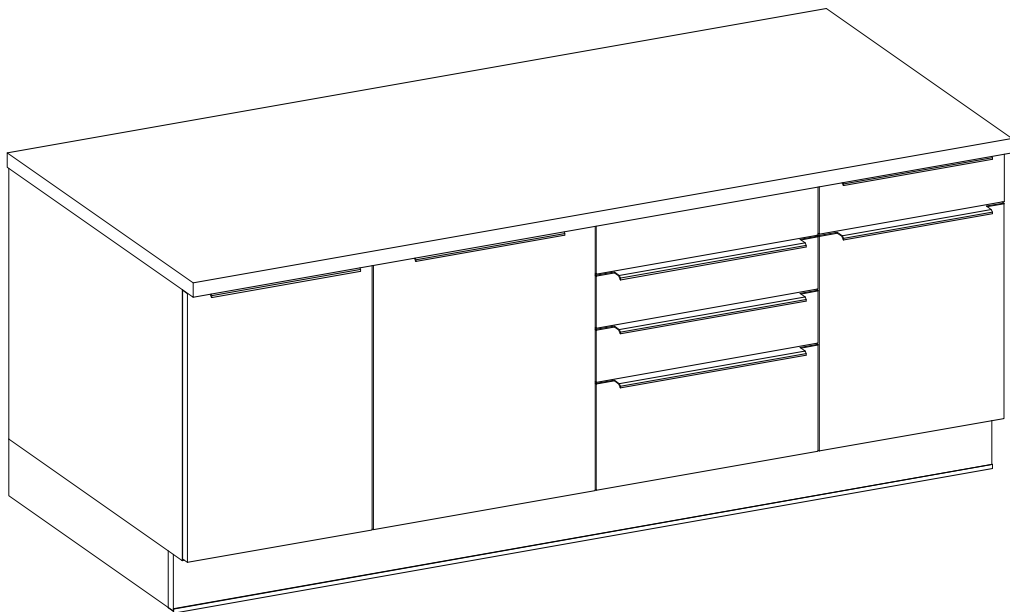
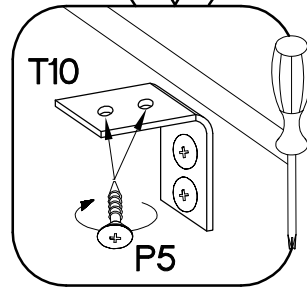
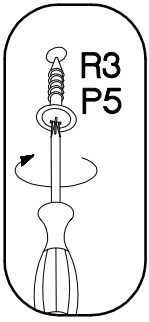
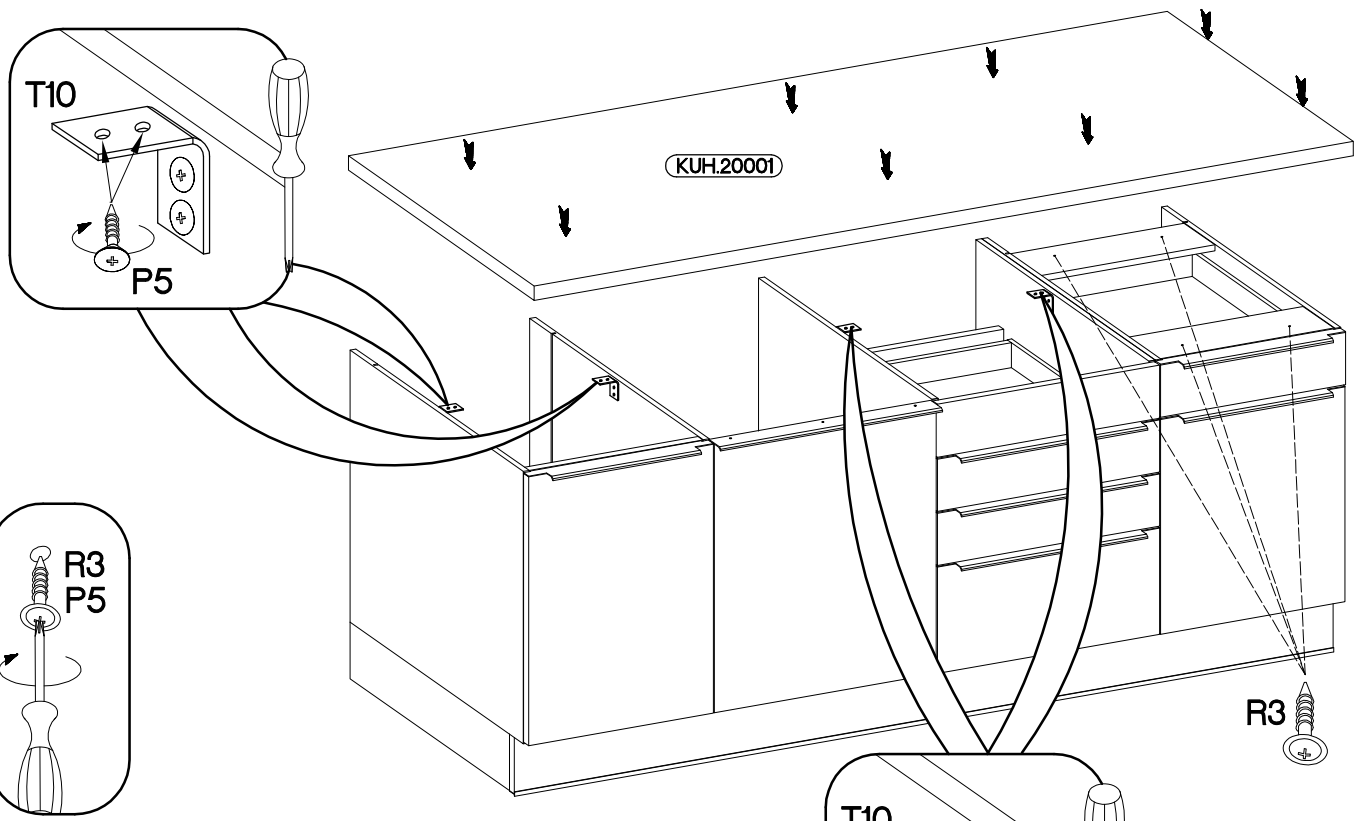





L35

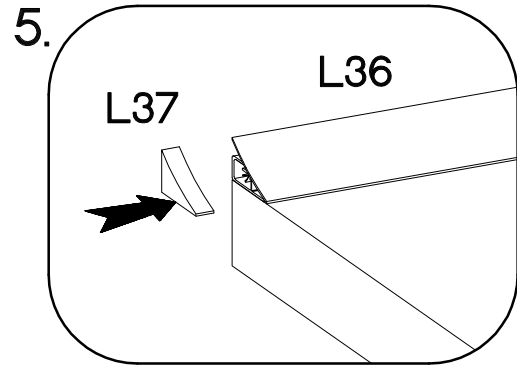
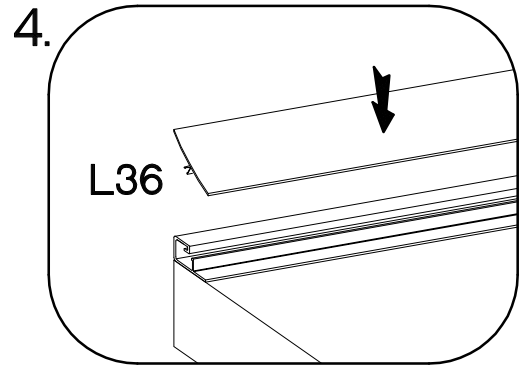
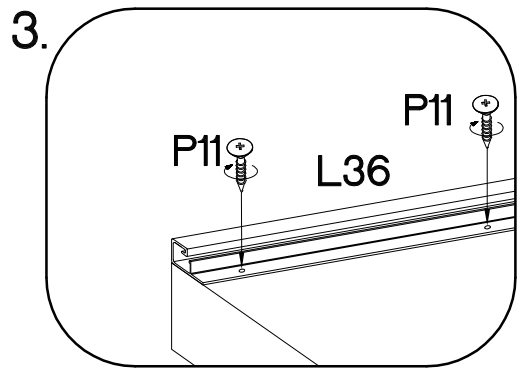
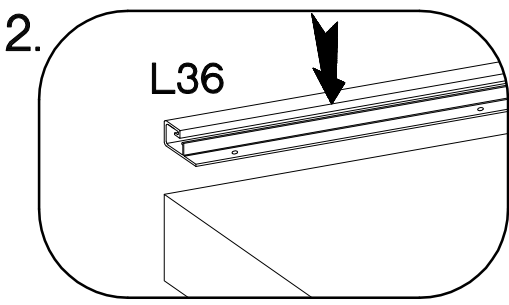
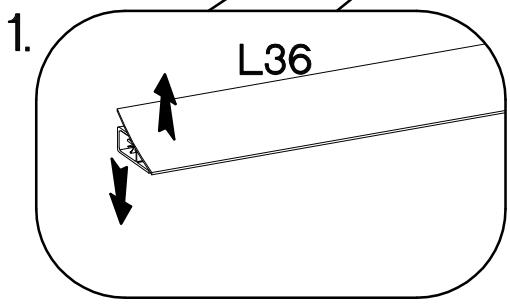
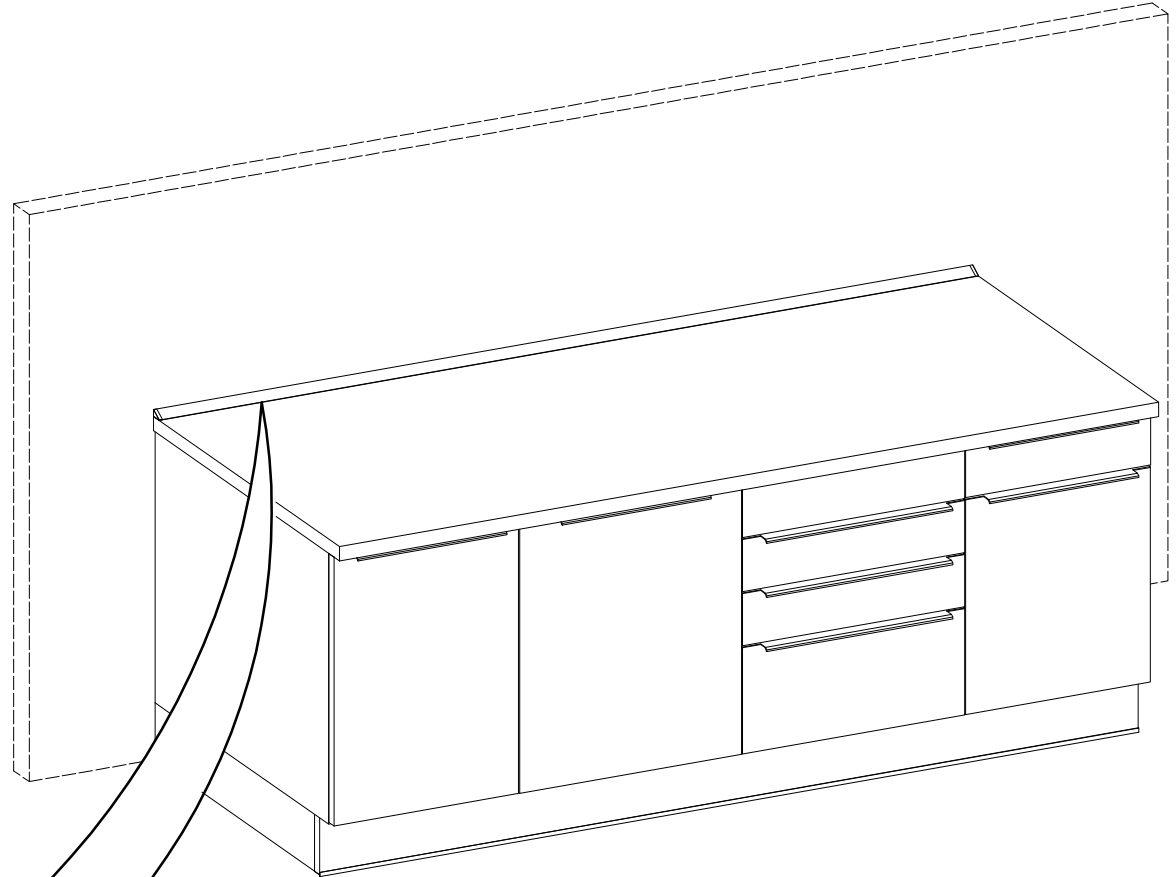
1

3

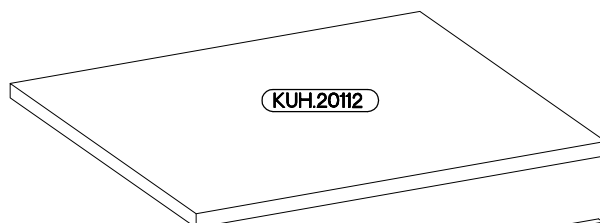
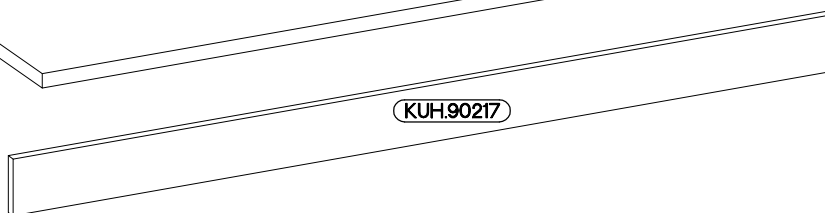
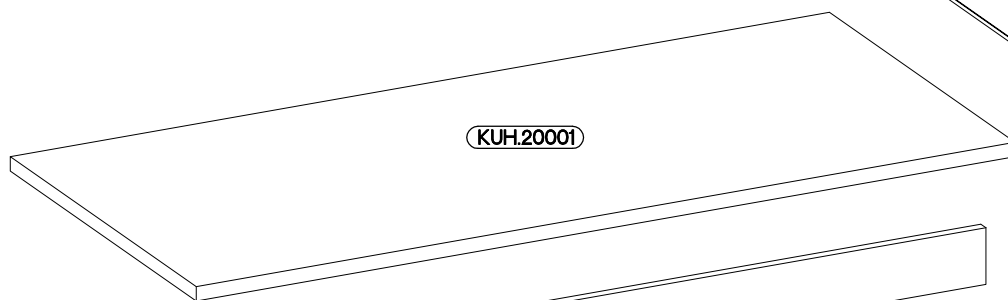
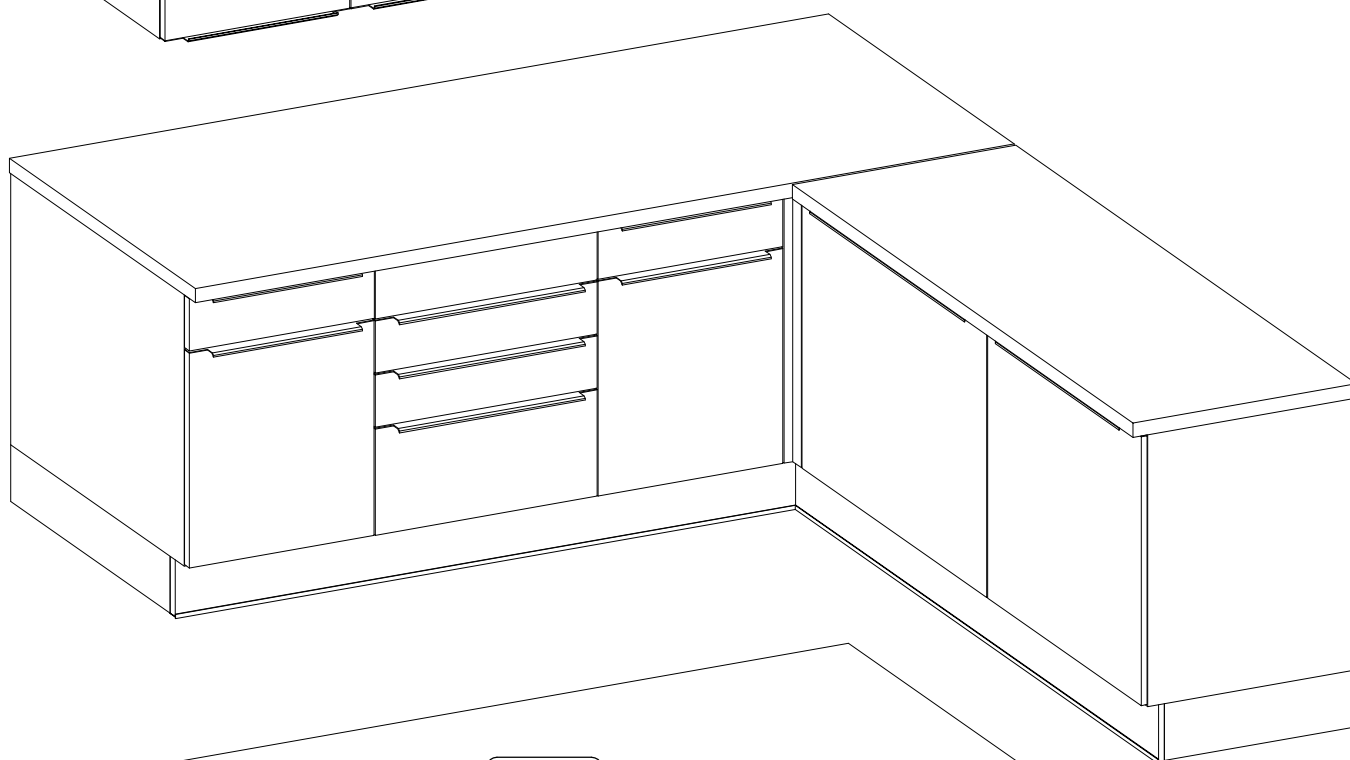
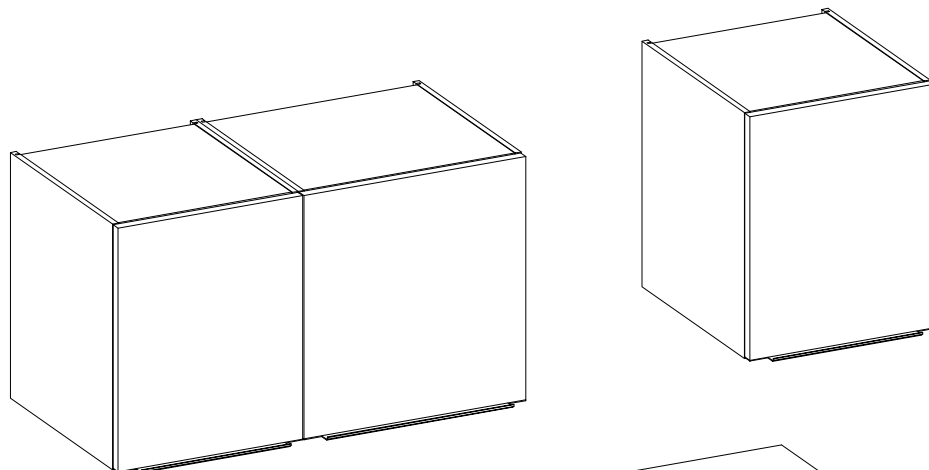
4.0x35mm	3.5x13mm
	
R3	P5
4	8



$\phi 3.0 \times 16 \text{mm}$  P11 8	L=2200mm  L36 1	 L37 2
--	--	--

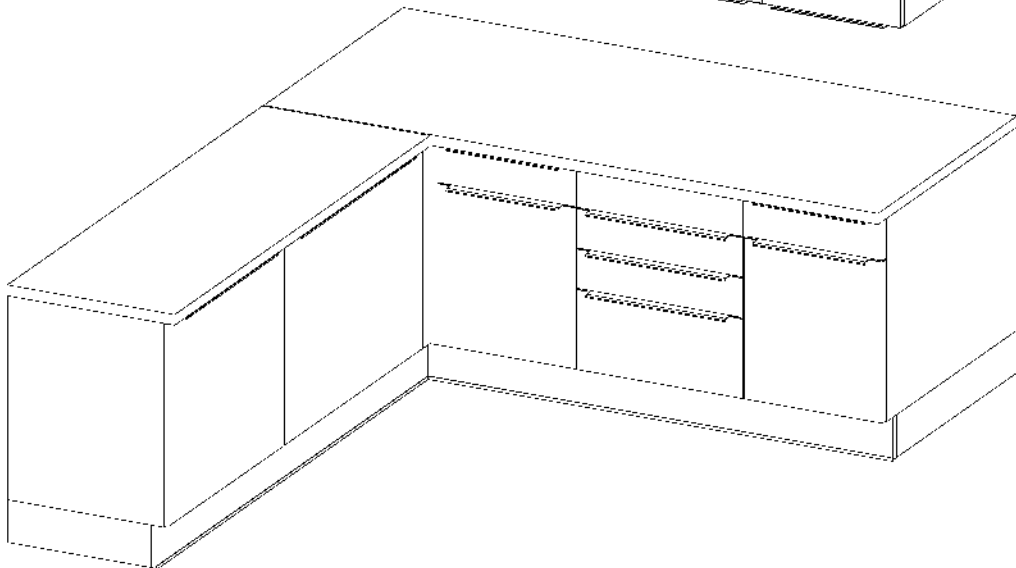
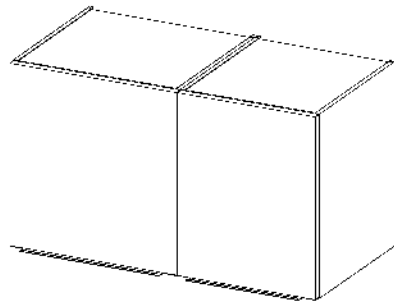
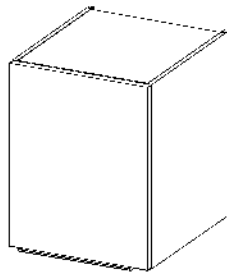
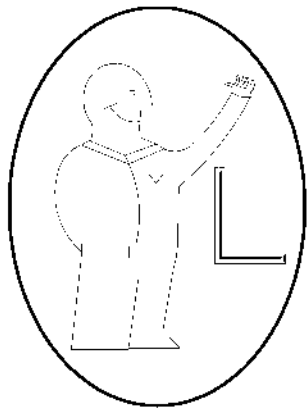
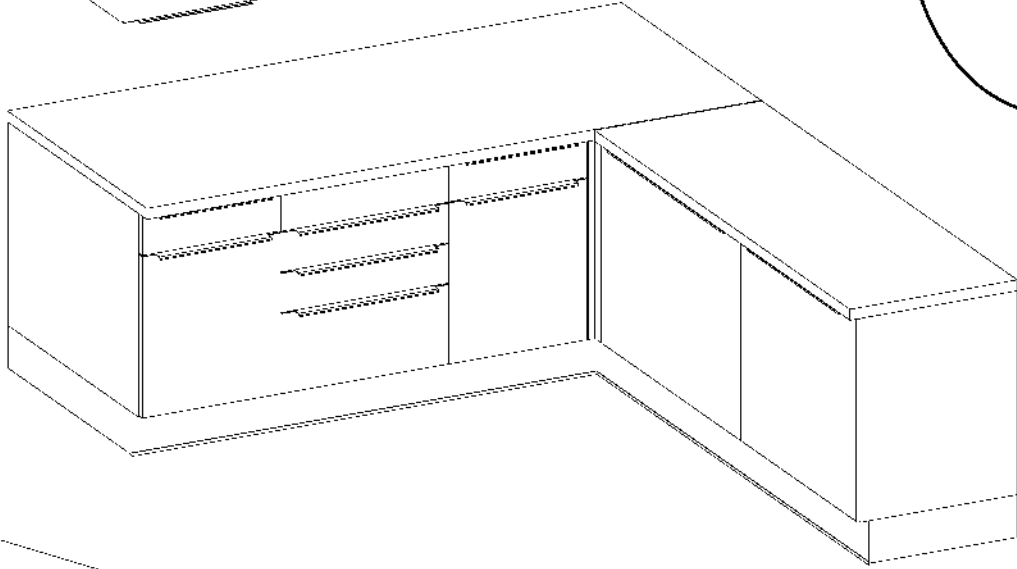
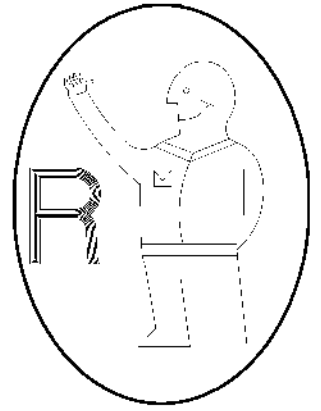
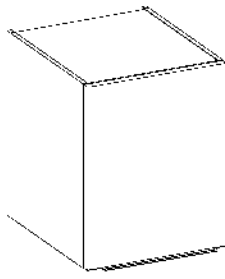
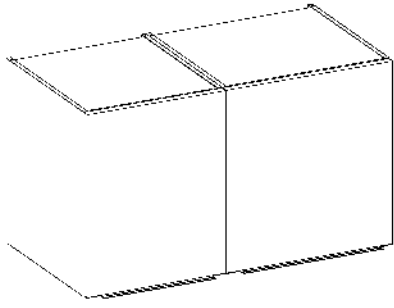


VARIANT 2



Colli	Spare Part	Dimension
Colli 2/2	KUH.20112	1100x600x38
	KUH.90258	1172x150x16

Colli	Spare Part	Dimension
Colli 6/6	KUH.20001	2200x600x38
	KUH.90215 x2	515x150x16
	KUH.90217	2199x150x16

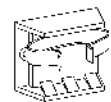


±3.5x13mm



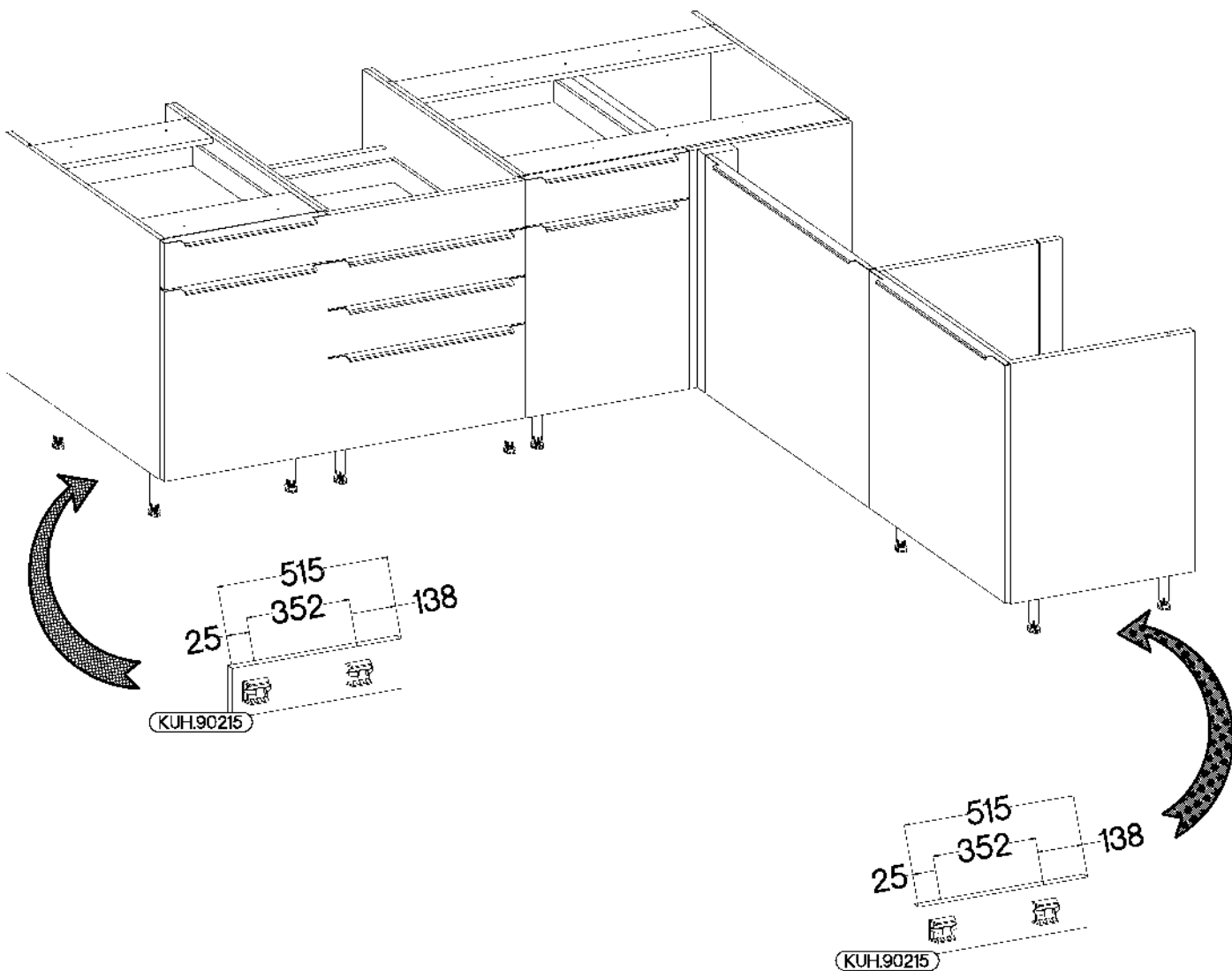
P5

8



F16

4



1. F16
2. F16 P5
3. F16
4. F16

3.5x13mm

L=2200mm



P5

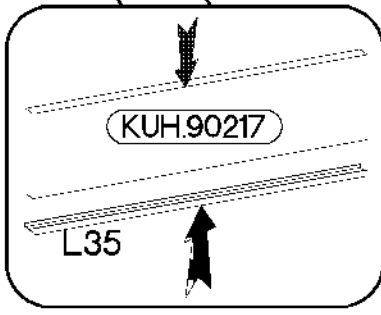
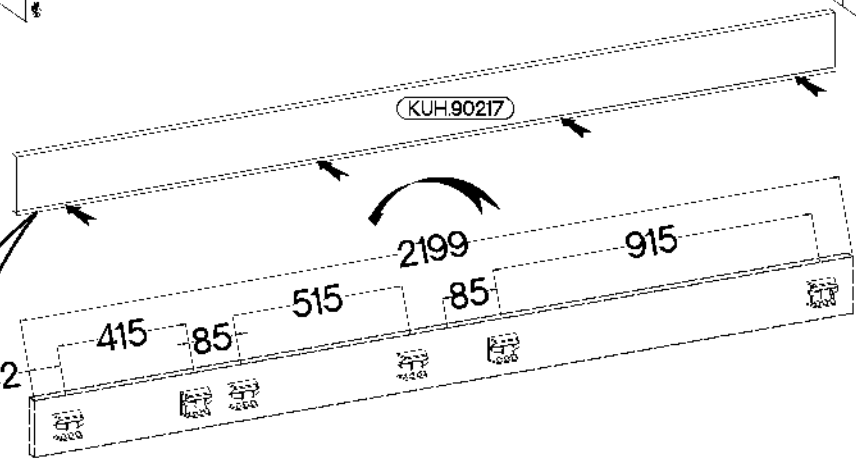
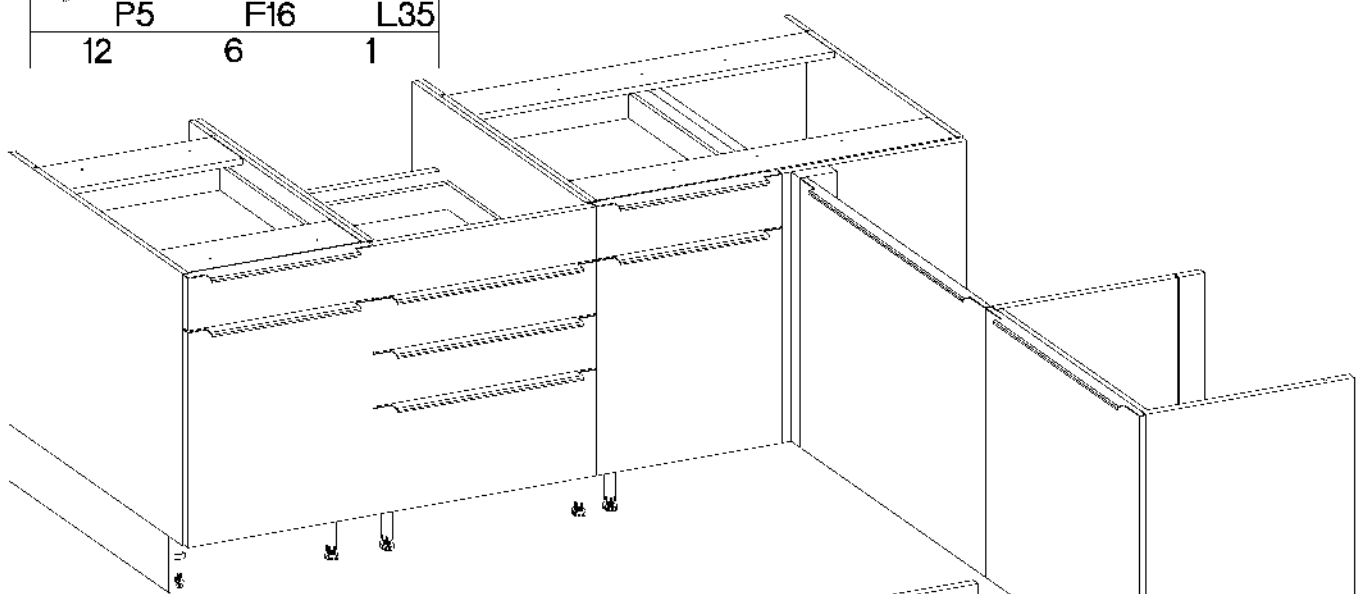
F16

L35

12

6

1



1. F16
2. F16 P5
3. F16
4. F16

7

±3.5x13mm

L=1172mm



P5

4



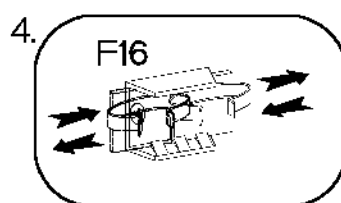
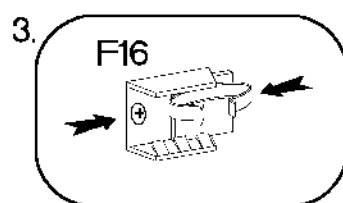
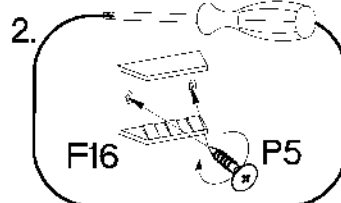
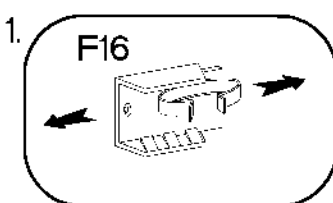
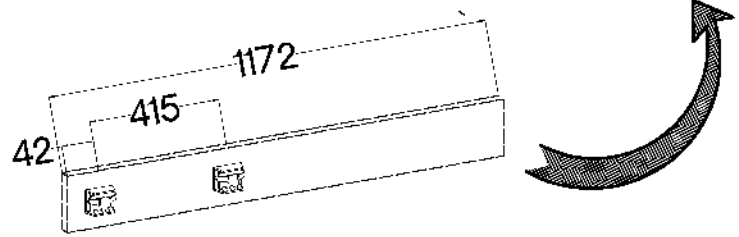
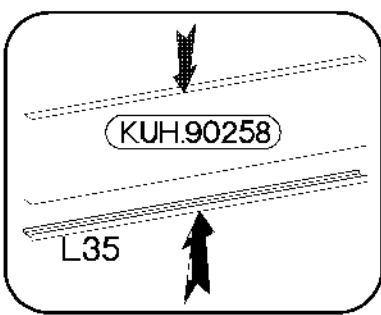
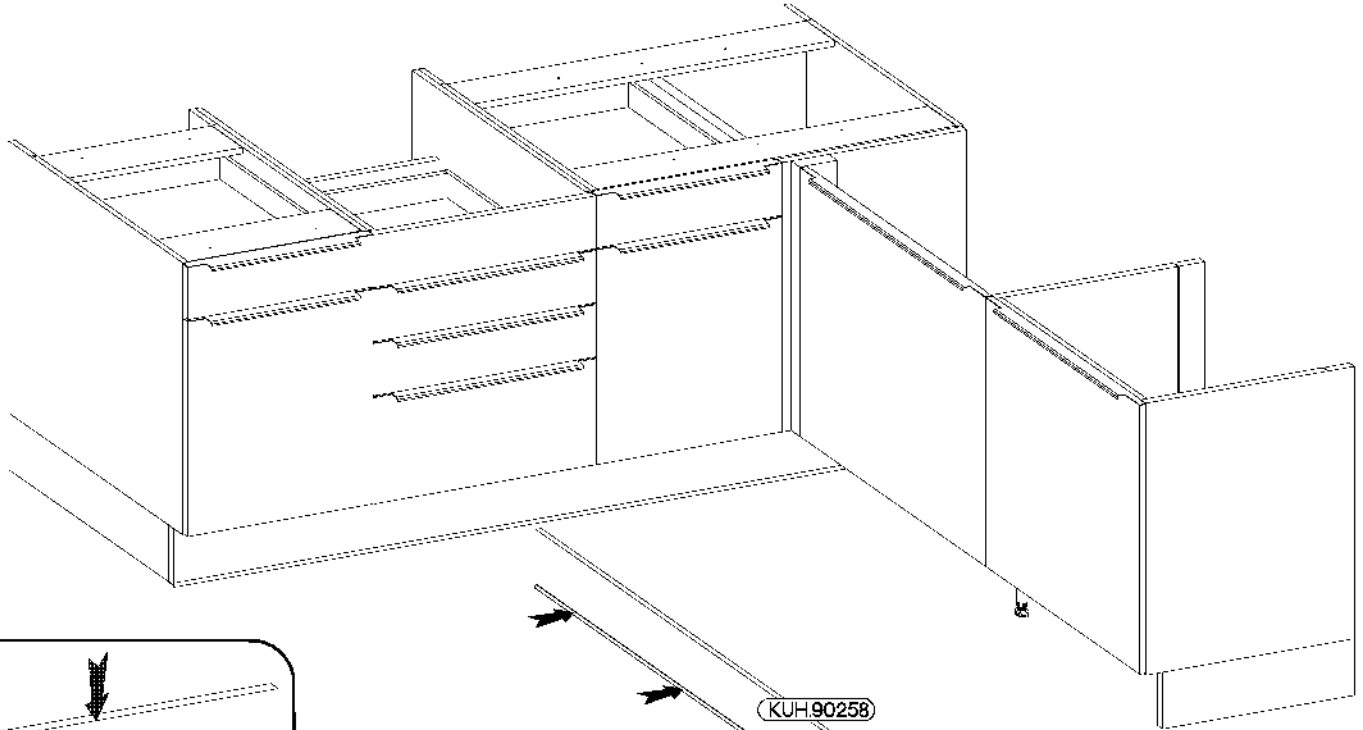
F16



2

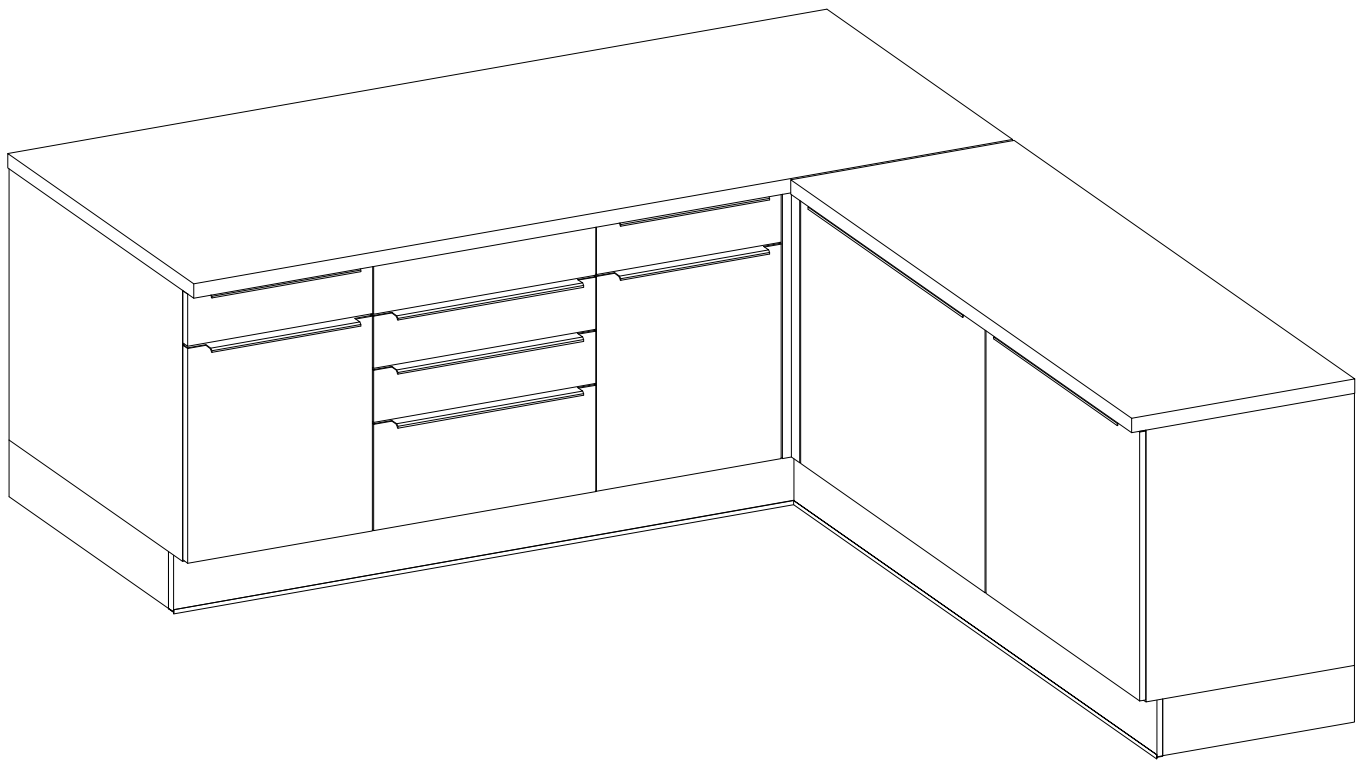
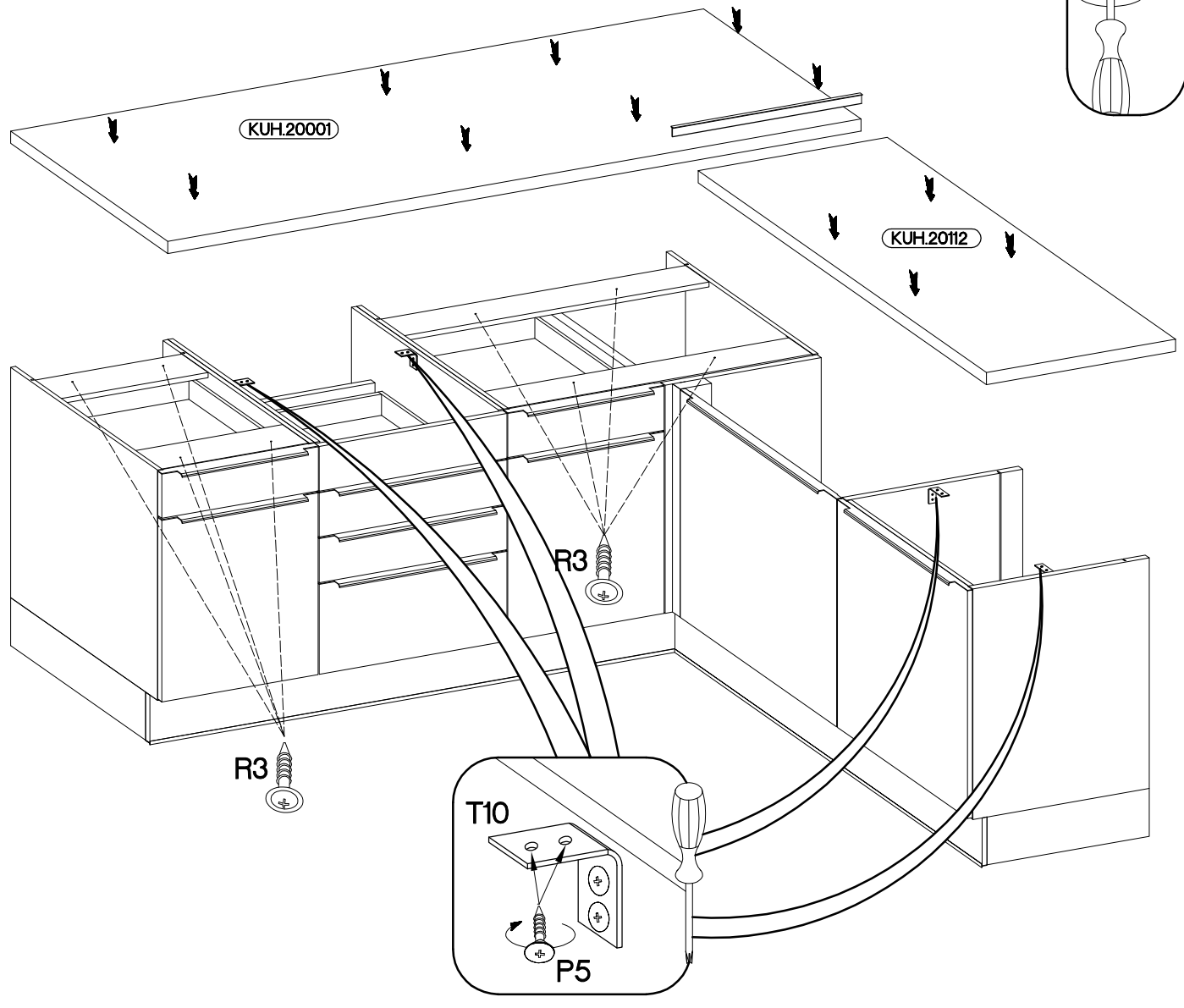
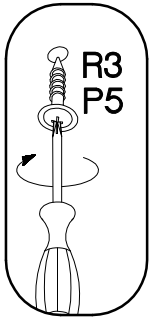


L35

1




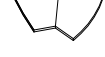


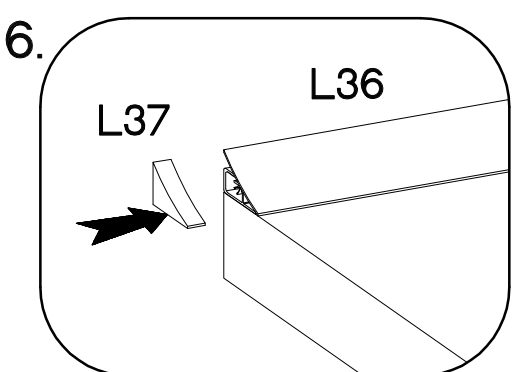
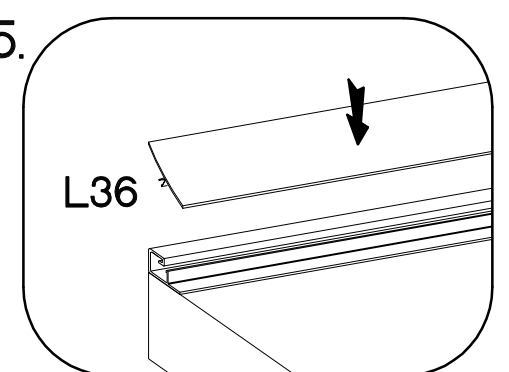
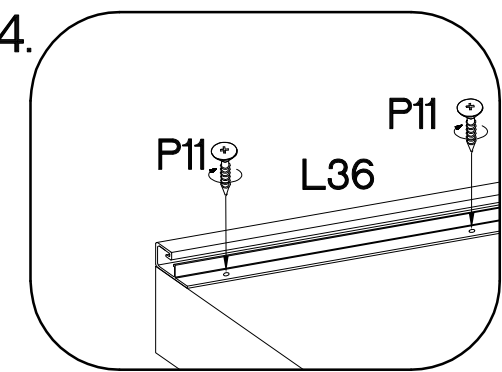
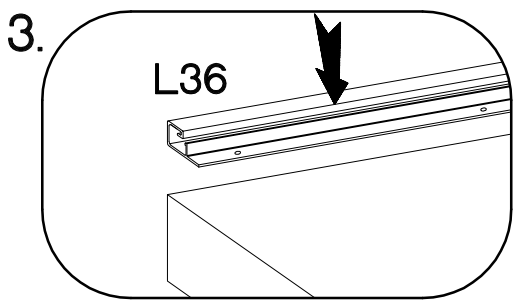
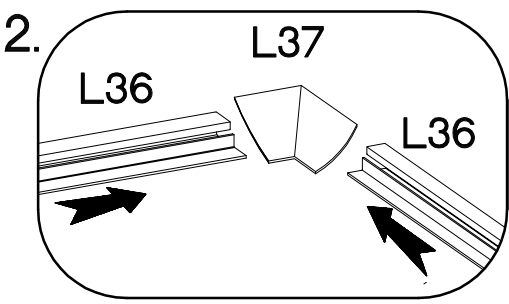
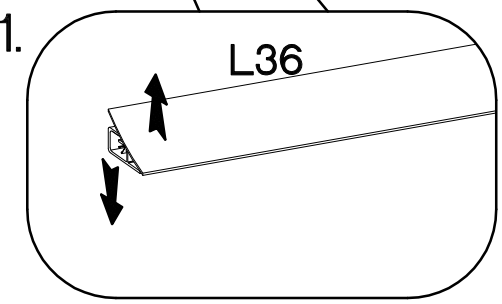
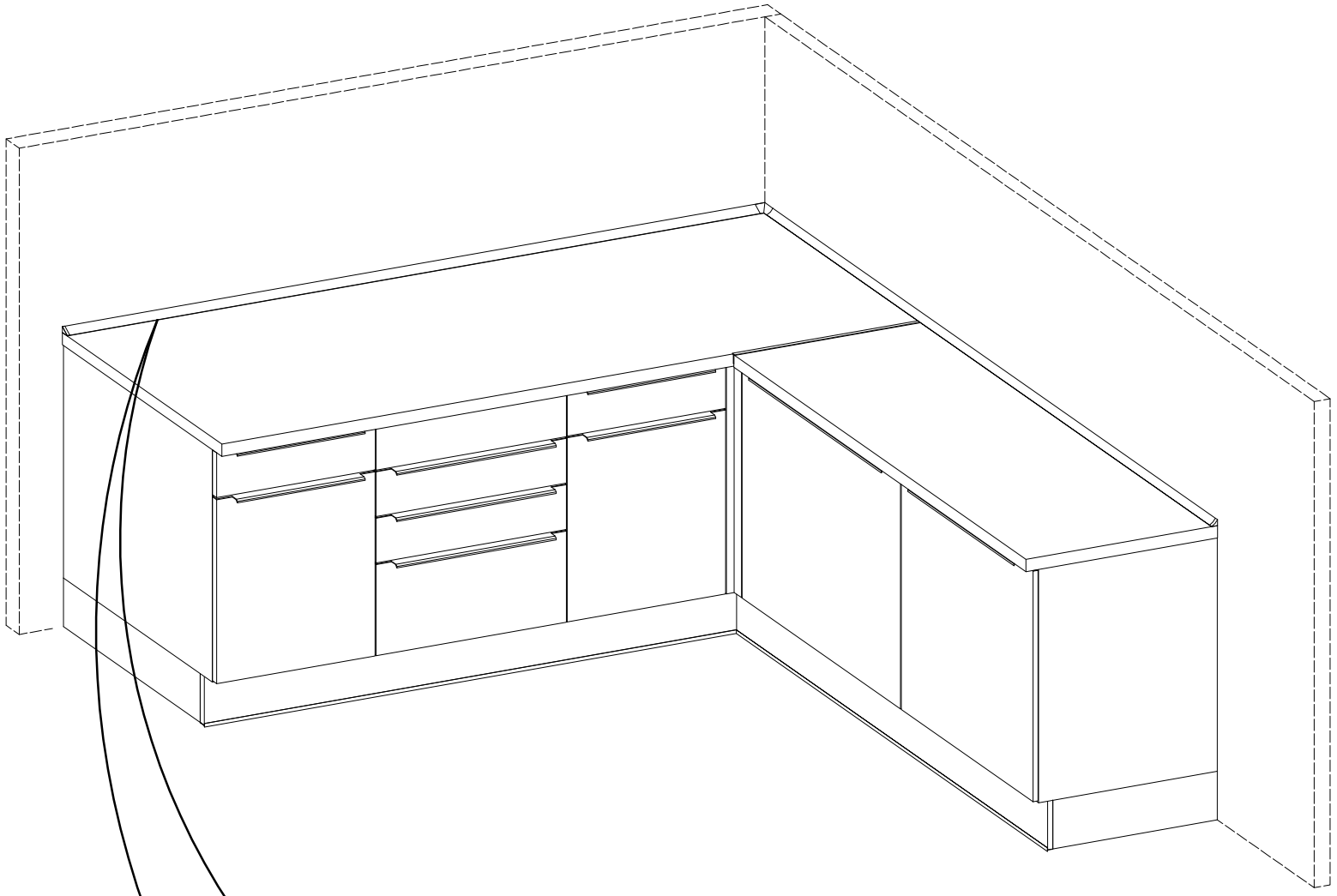
4.0x35mm	3.5x13mm
	
R3	P5
8	8



φ3.0x16mm

L=2200mm

			
P11	L36	L37	L38
14	2	2	1



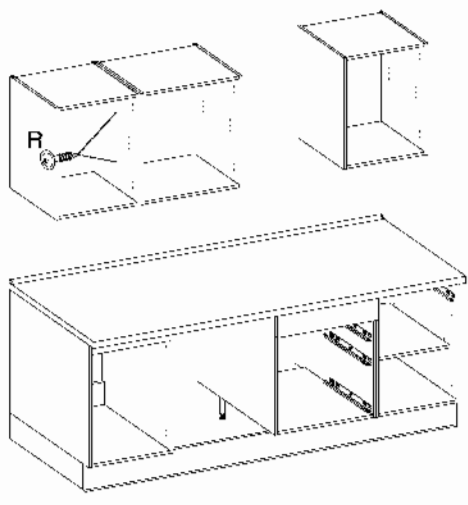
10

4.0x25mm



2

V 1

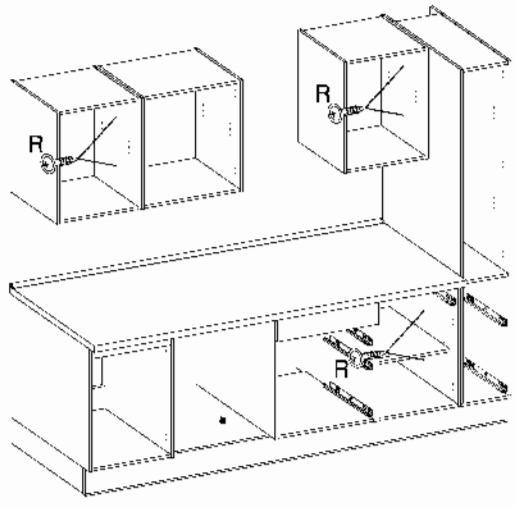


4.0x25mm



6

V 2

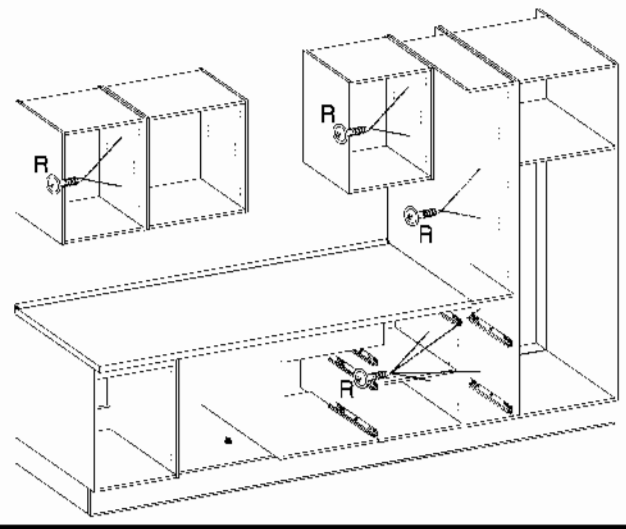


4.0x25mm



10

V 3

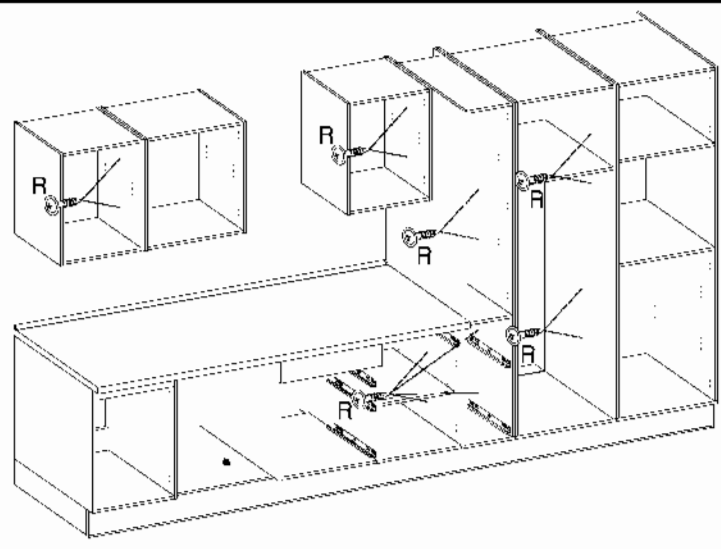


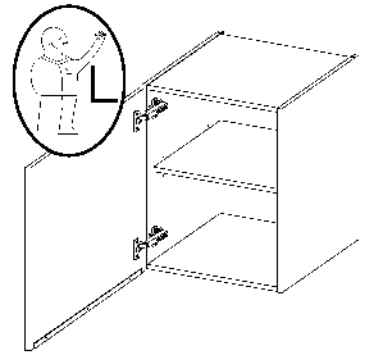
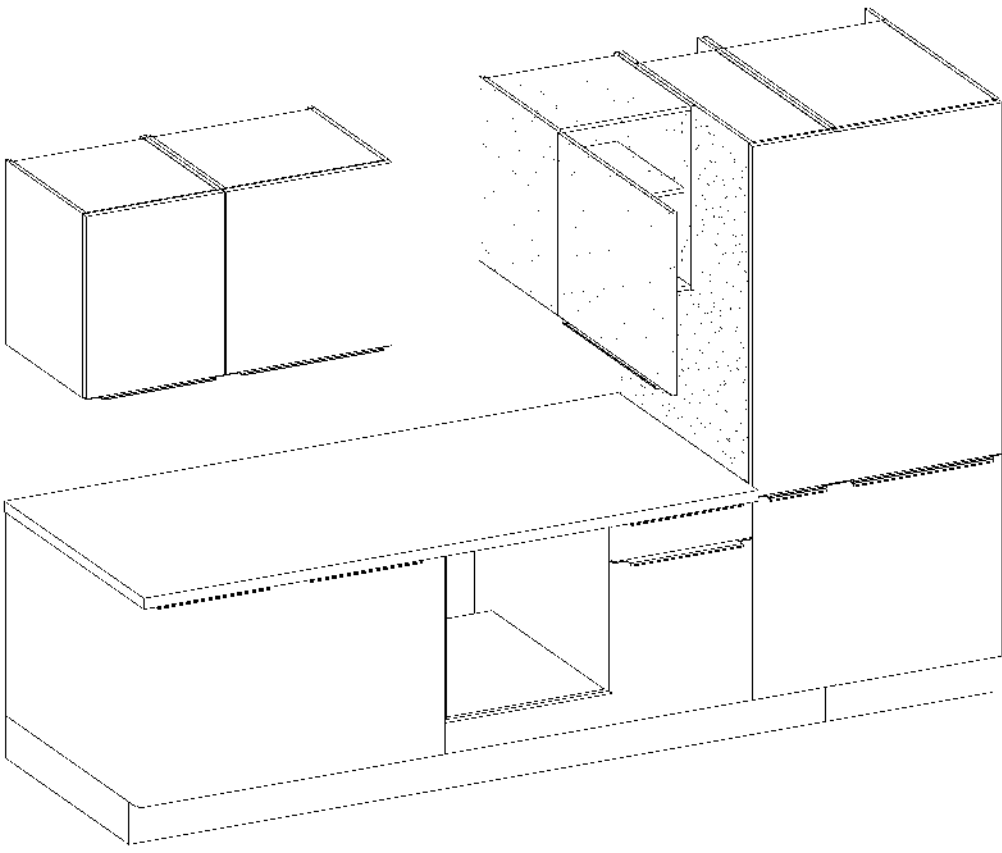
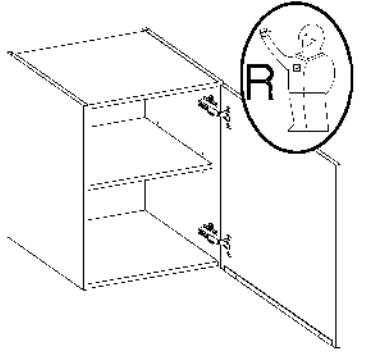
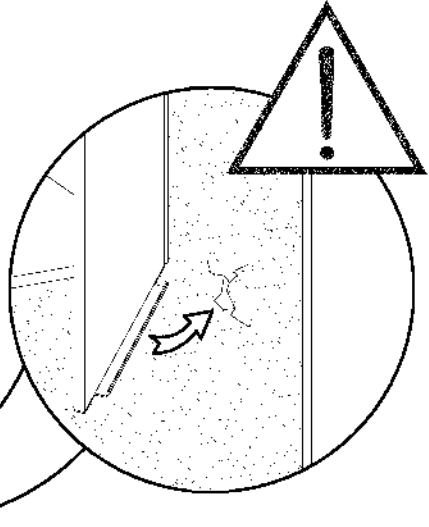
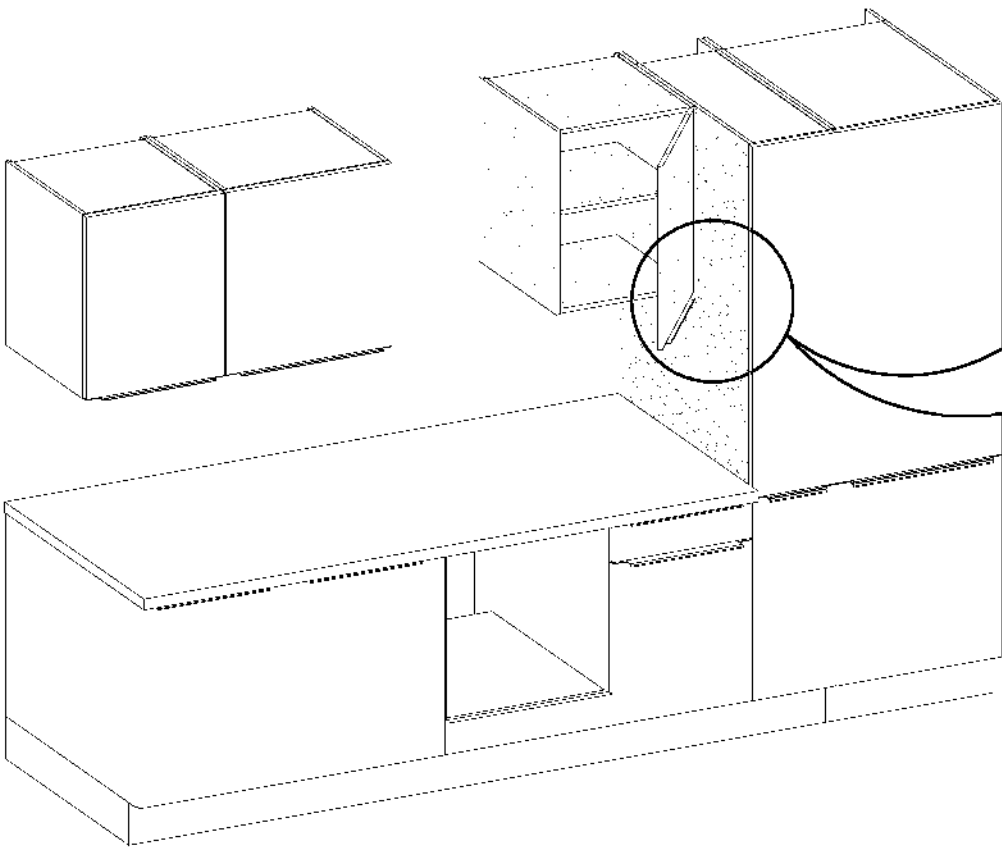
4.0x25mm

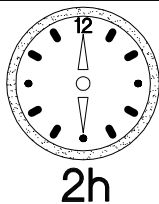
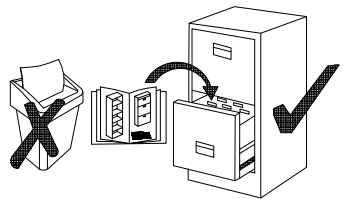
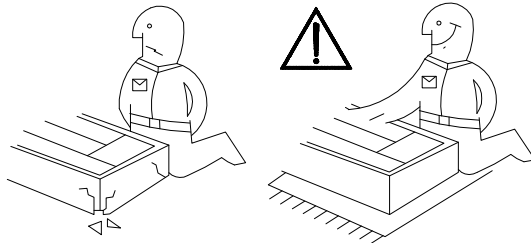
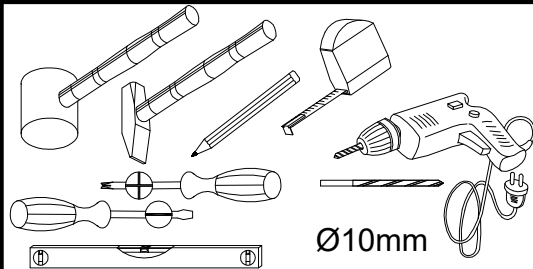
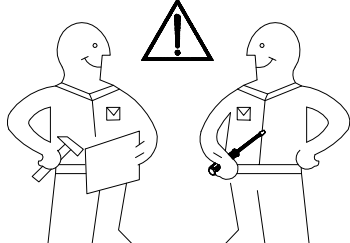


14

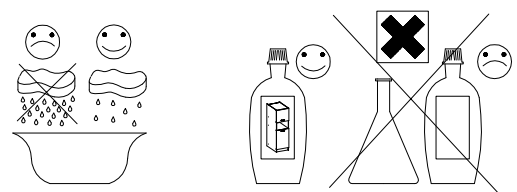
V 4



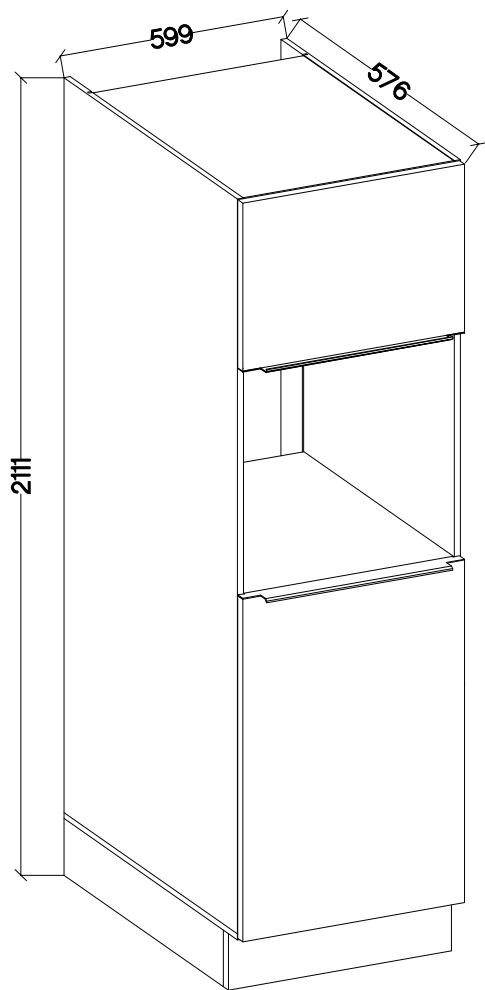




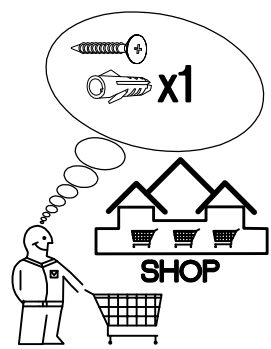
SAFADO / MARLEEN
 73-154-...
 73-15C-...
 73-15D-...



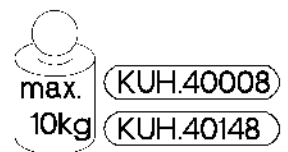
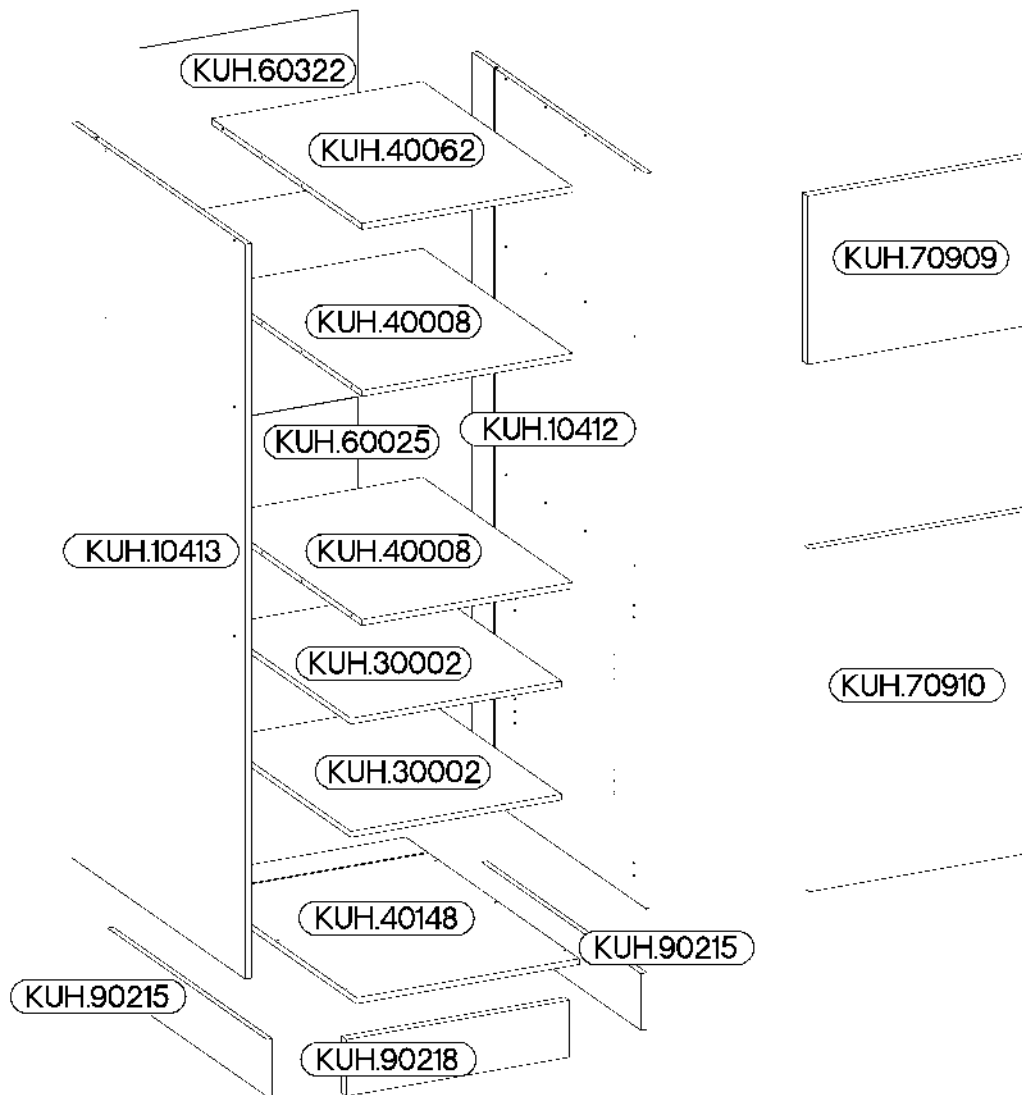
respekta®



 A 12	 B 18	 E1 12	 F15 4	 F16 6	
 HG 4	 J3 8	 J5 2	 K24 2	 L35 1	 R 4
 L25 1	 O 1	 P5 38	 P7 12-15	 P11 8	 SL60 2



ISM-KUH-01595

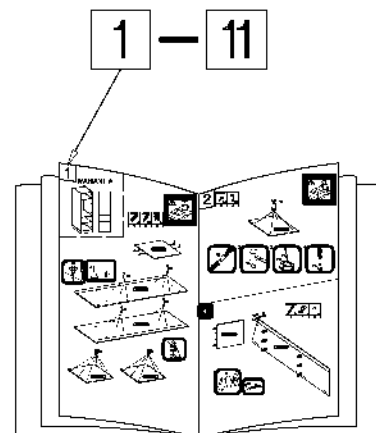
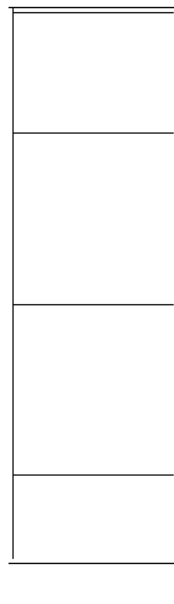
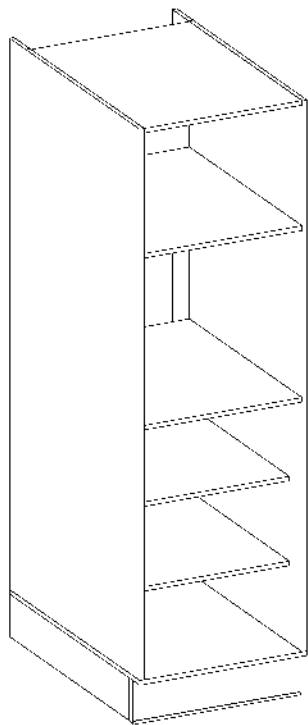
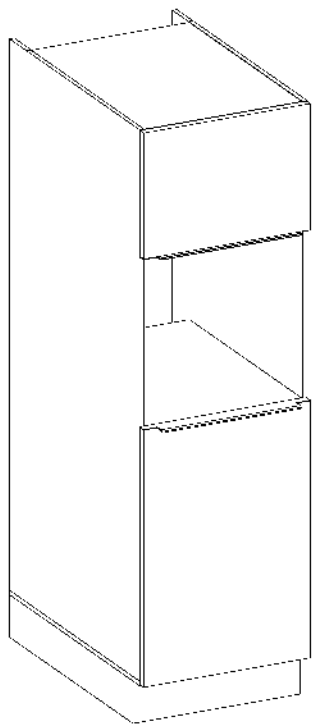


KUH.40008

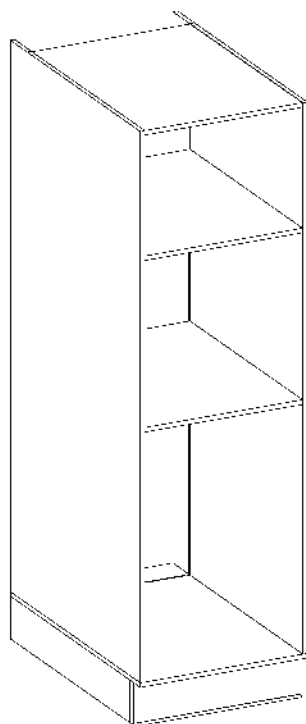
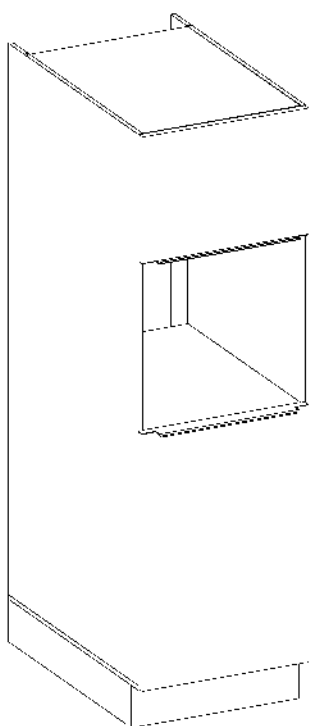
KUH.40148

Colli	Spare Part	Dimension
Colli 1/2	KUH.40148	599x560x16
	KUH.30002 x2	566x430x16
	KUH.60025	905x585x2,5
	KUH.60322	454x585x2,5
	KUH.70910	907x596x16
	KUH.79090	445x596x16
	KUH.90215 x2	515x150x16
	KUH.90218	599x150x16
Colli 2/2	KUH.10412	1945x560x16
	KUH.10410	1945x560x16
	KUH.40008 x2	567x485x16
	KUH.40062	567x485x16

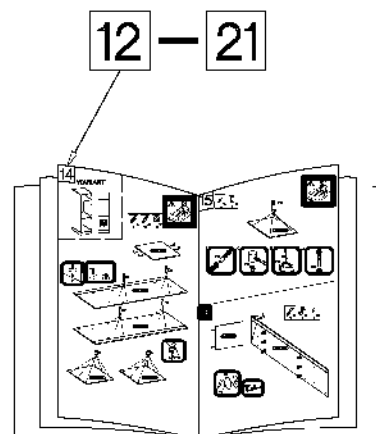
VARIANT 1



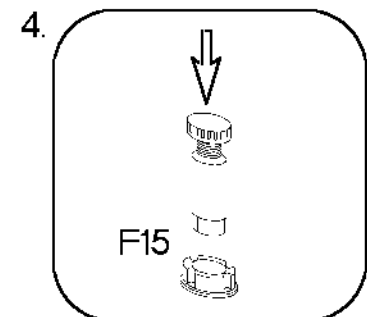
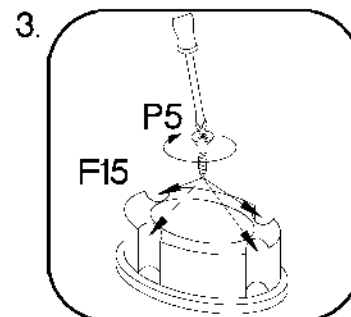
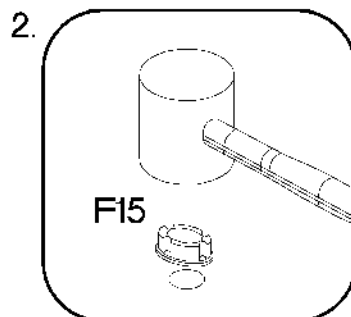
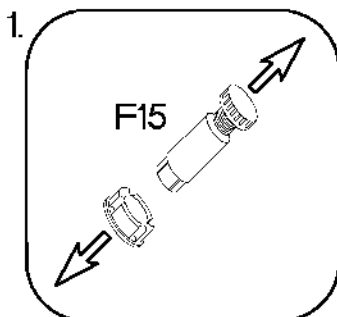
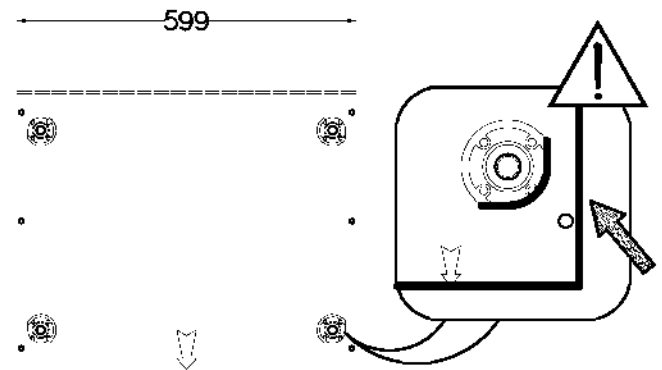
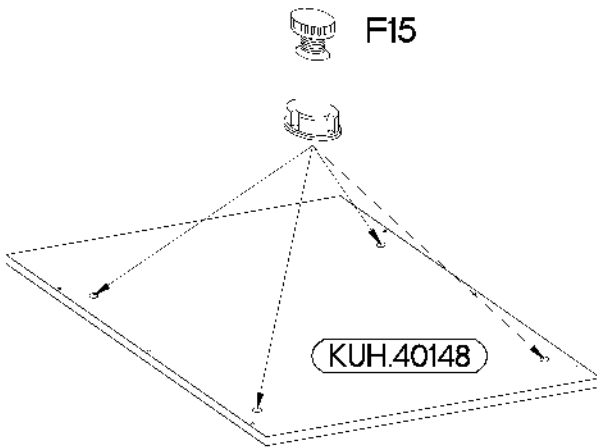
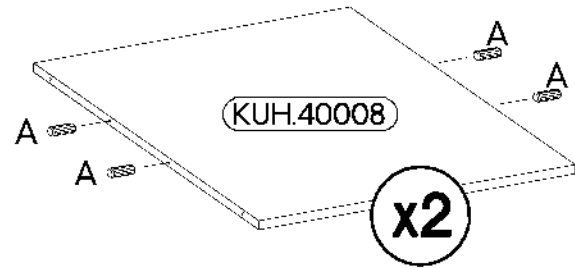
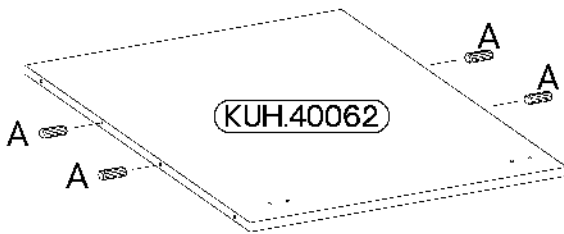
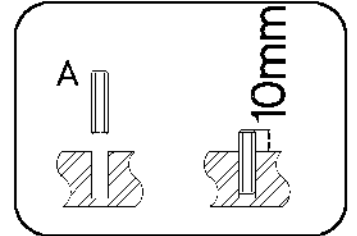
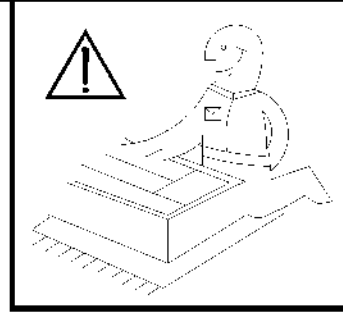
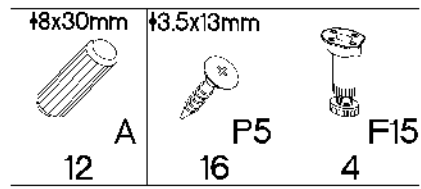
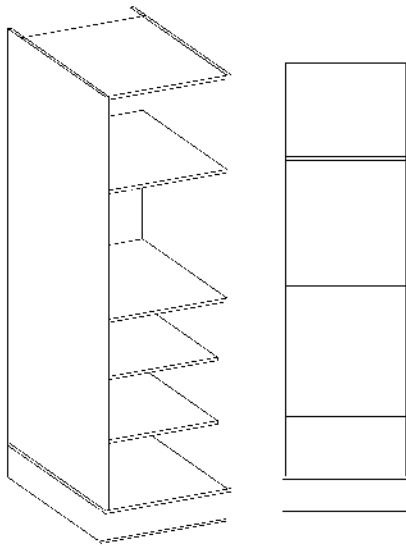
VARIANT 2



880



VARIANT 1



2

6,4 x 50mm



B

6



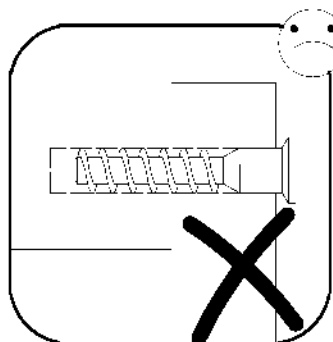
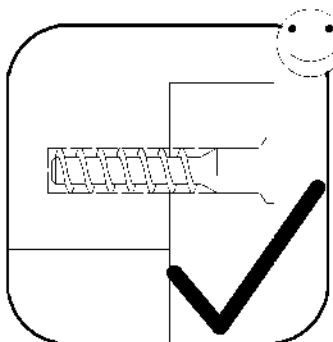
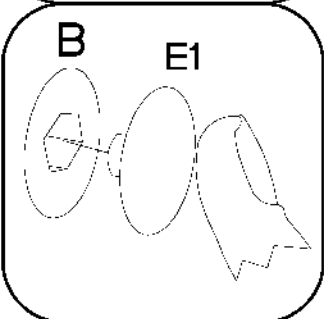
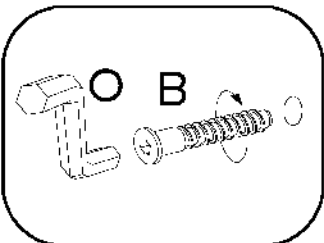
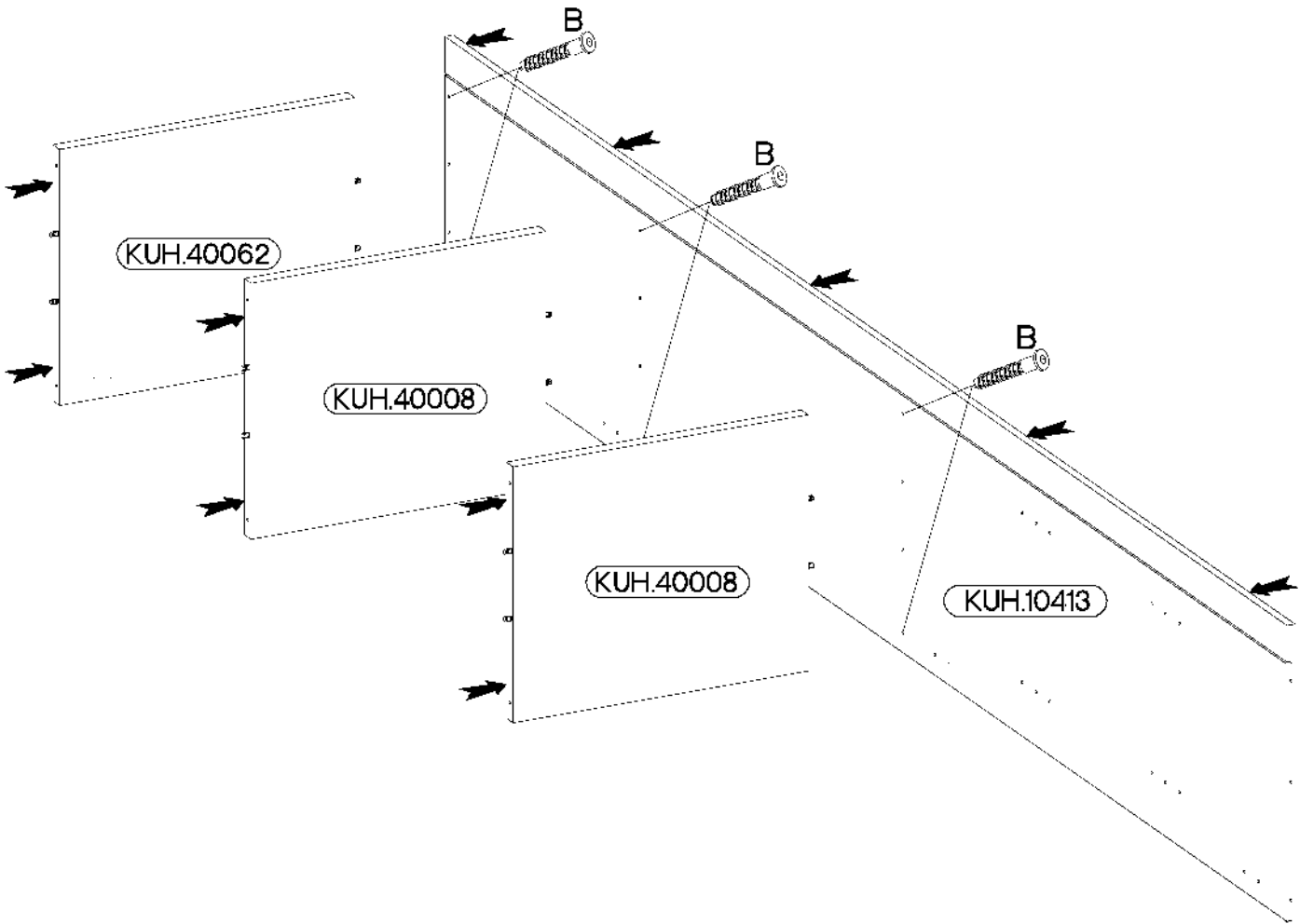
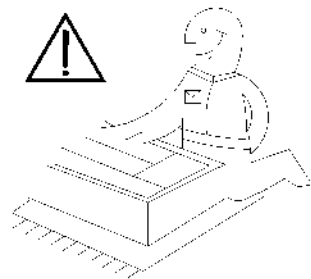
O

1



E1

6

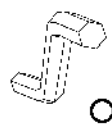


6,4 x 50mm



B

6



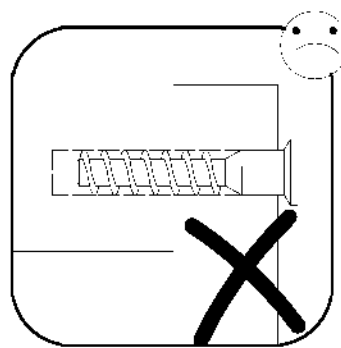
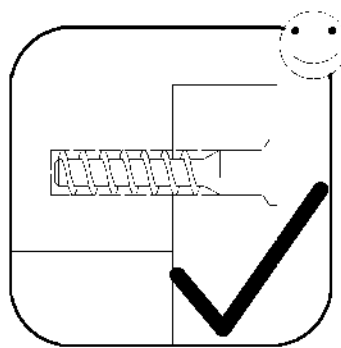
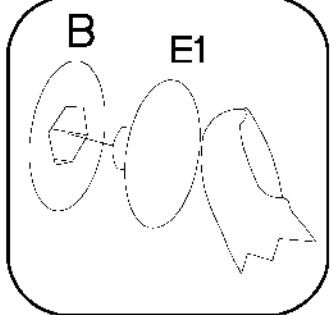
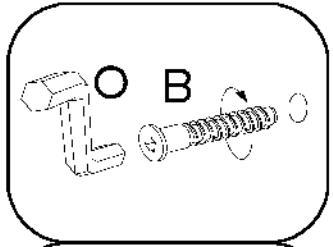
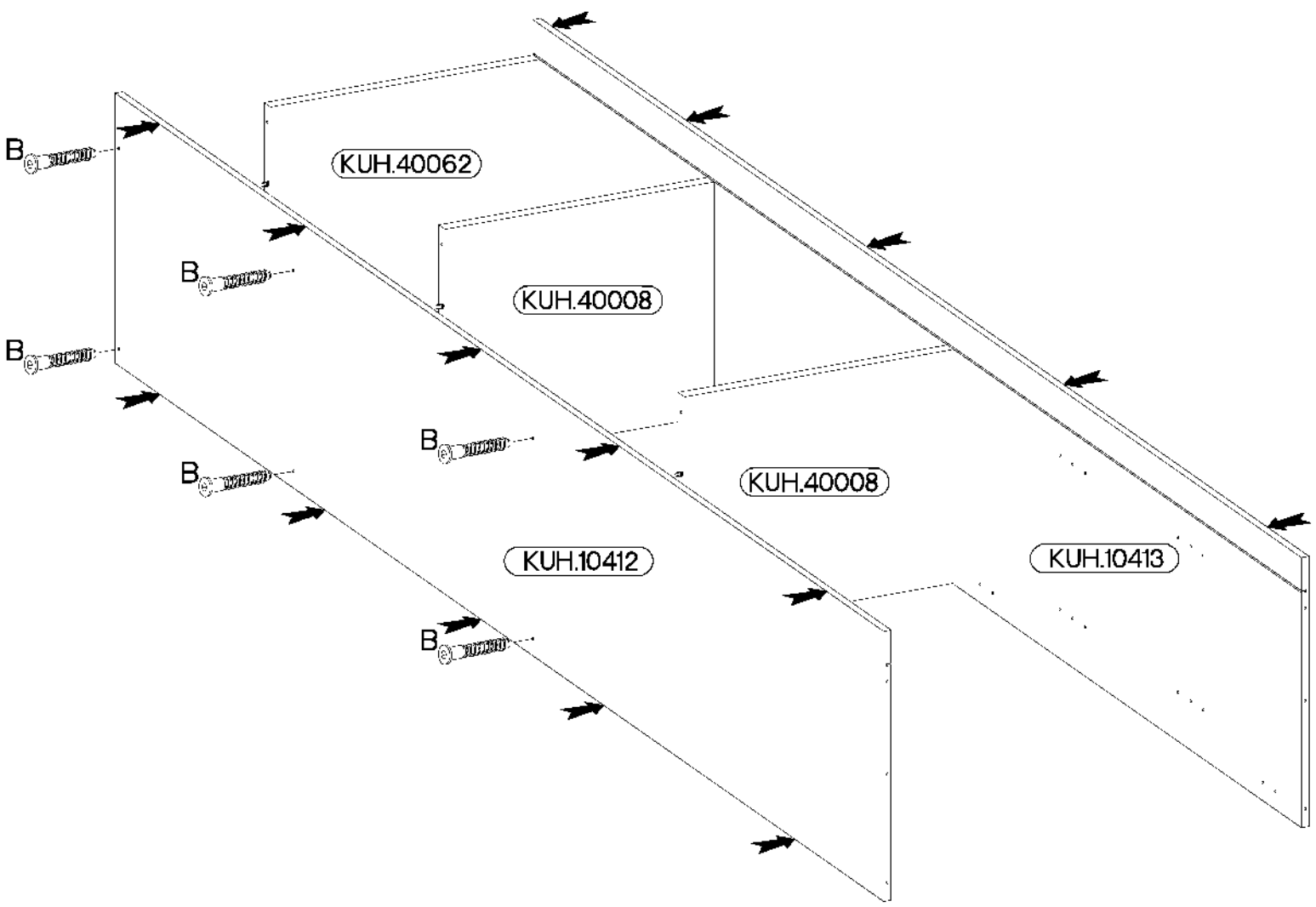
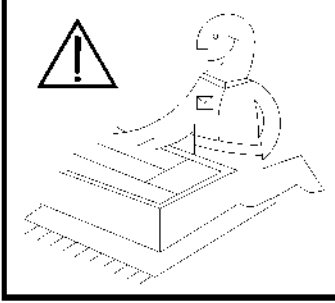
O

1



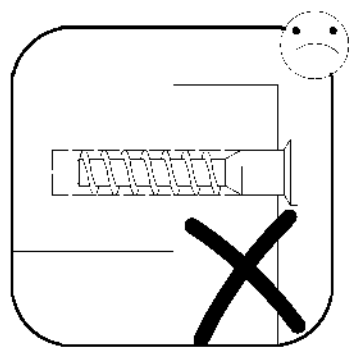
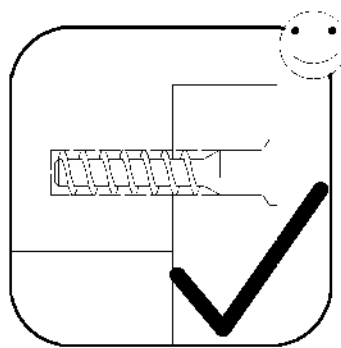
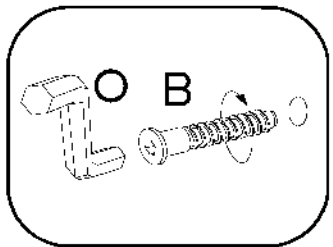
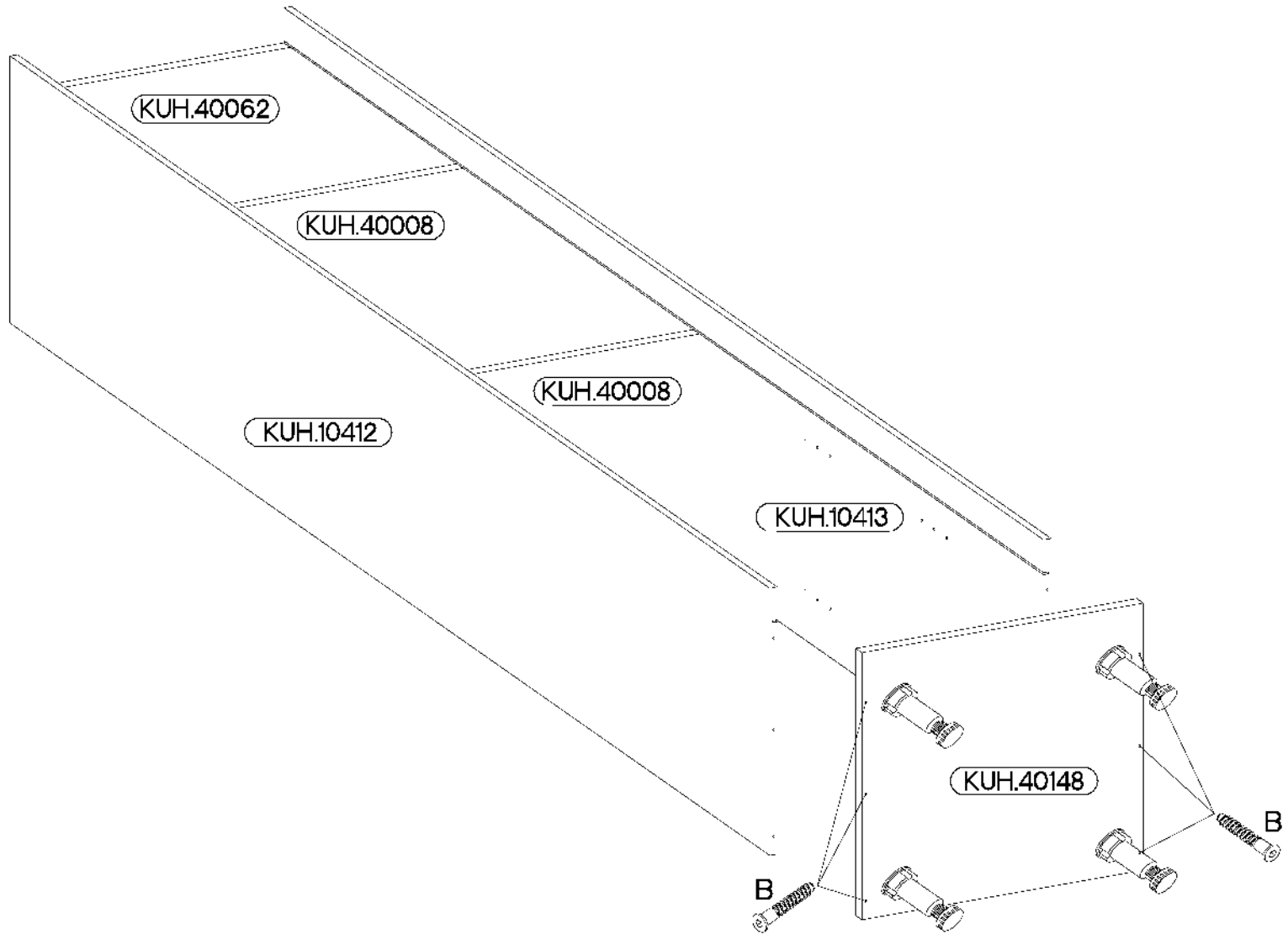
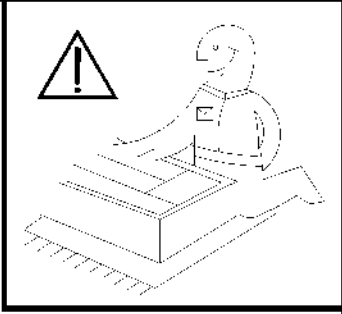
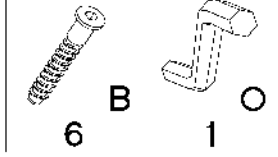
E1

6

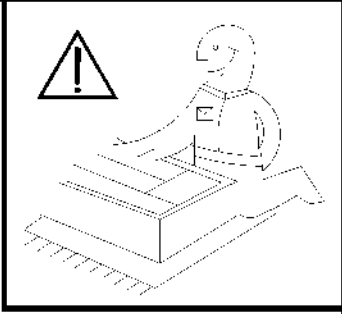
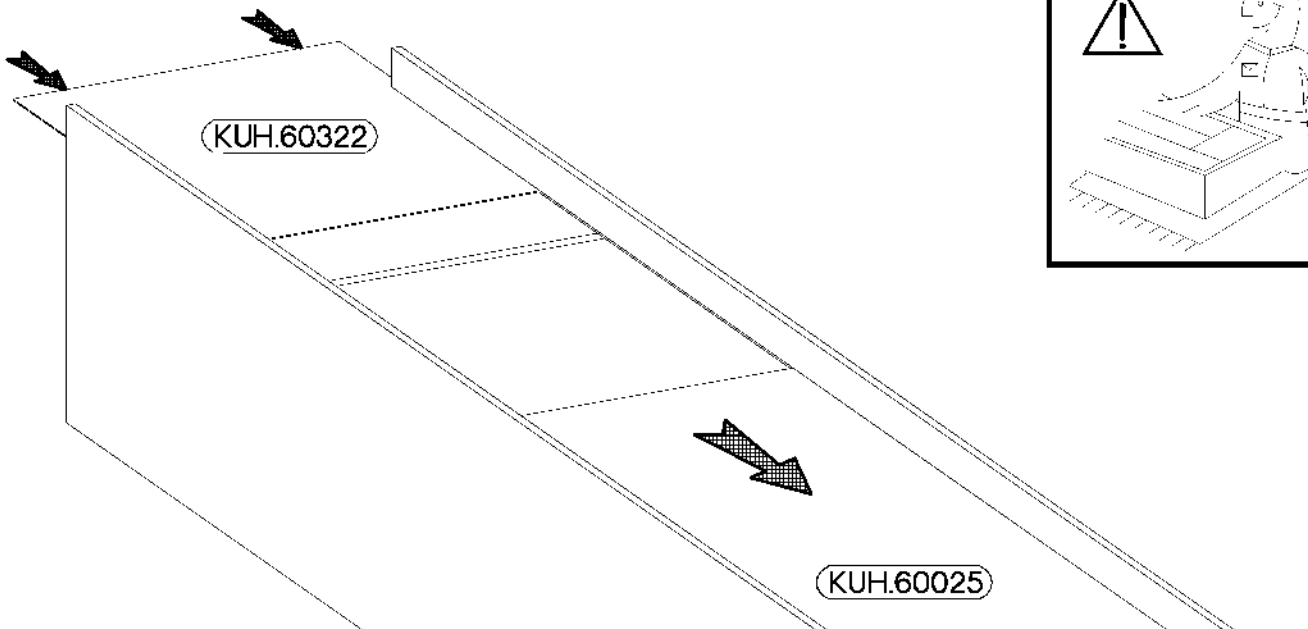




6,4 x 50mm

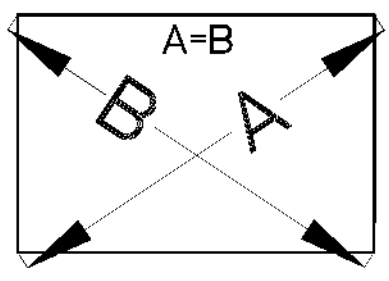
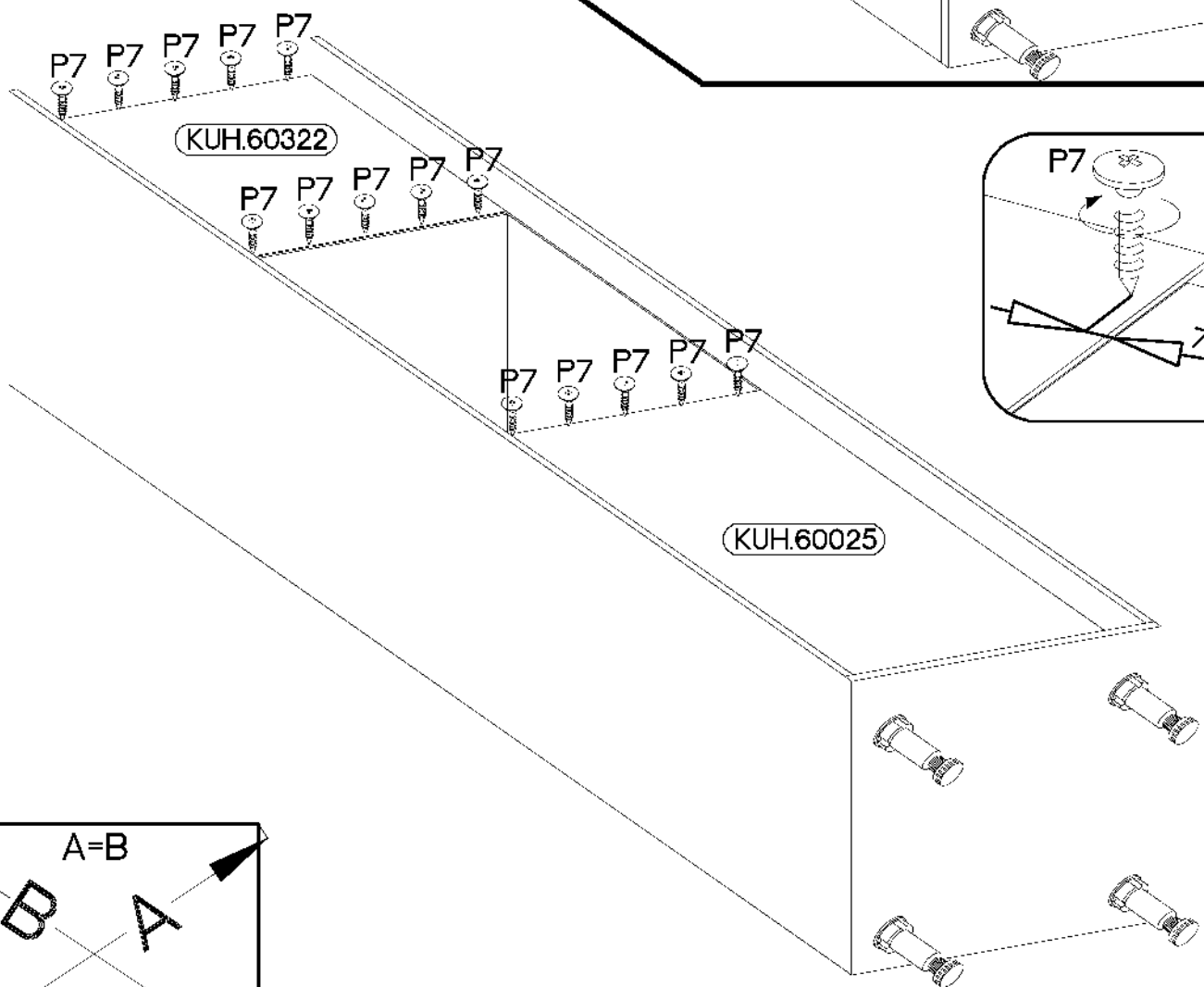
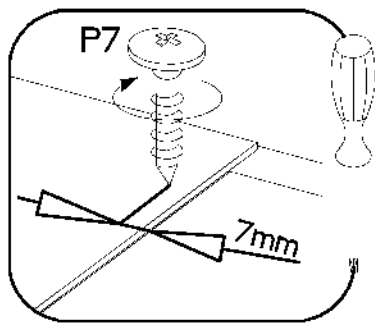
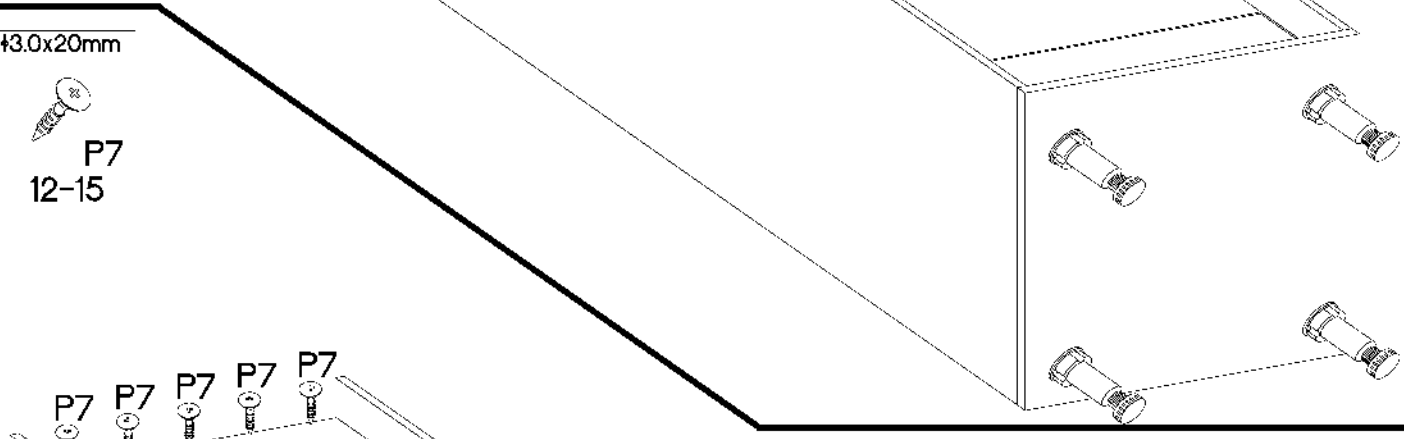


5



6

φ3.0x20mm
P7
12-15



7

+3.5x13mm

L=600mm



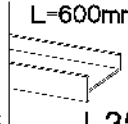
P5

12



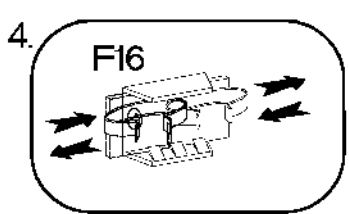
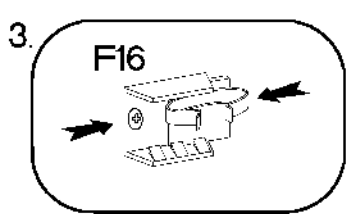
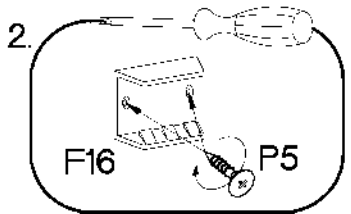
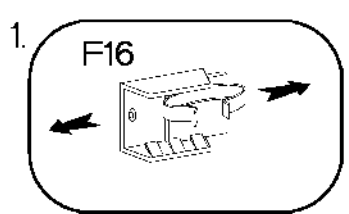
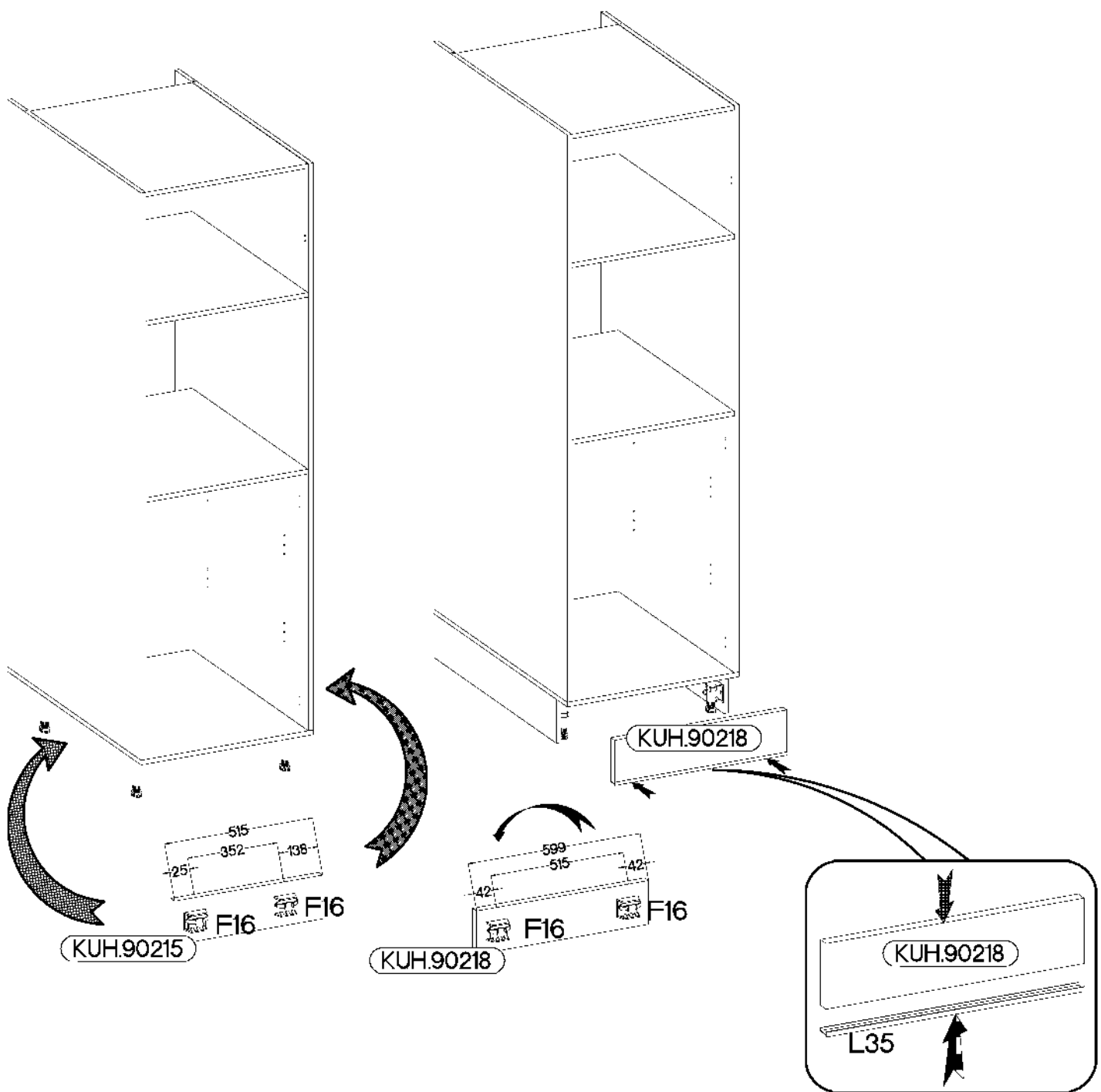
F16


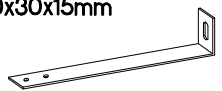
6

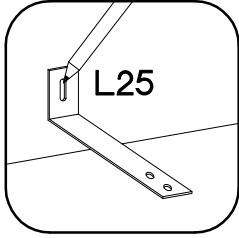
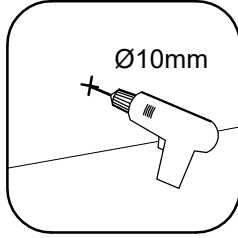
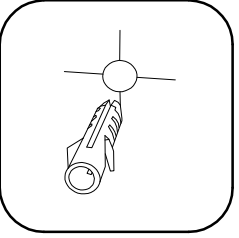
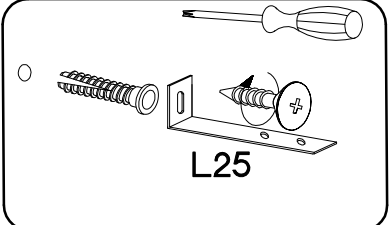
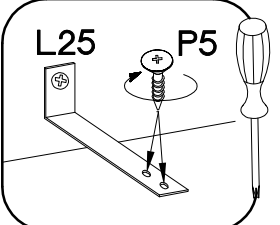


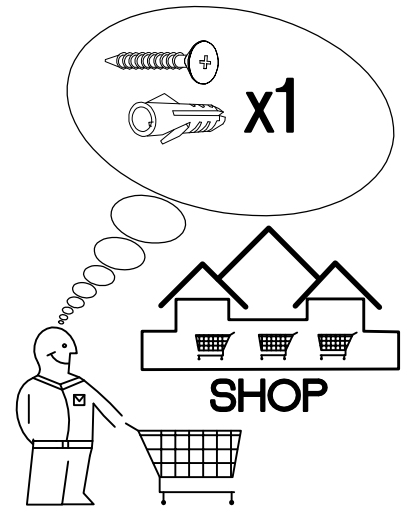
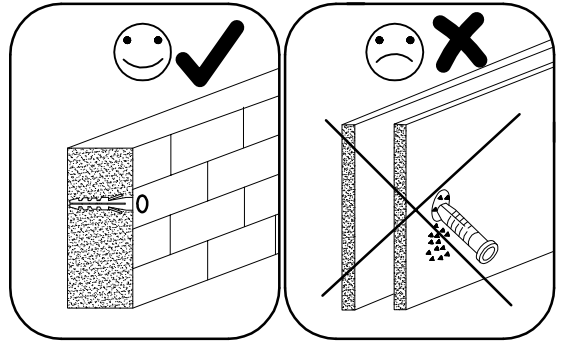
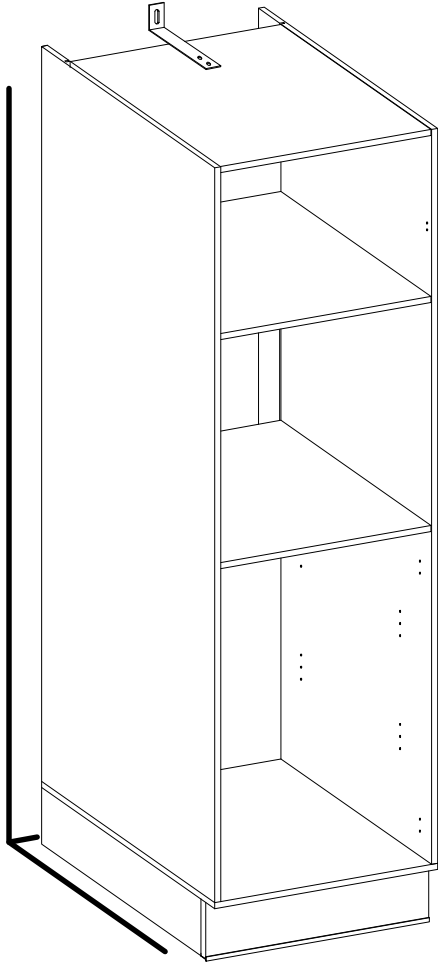
L35

1



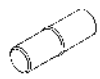
±3.5x13mm  P5 2	120x30x15mm  L25 1
--	---

- 
- 
- 
- 
- 



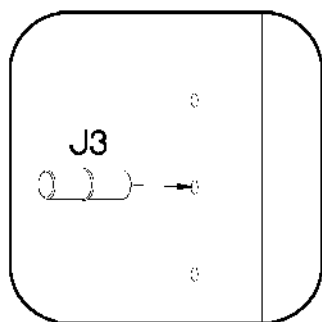
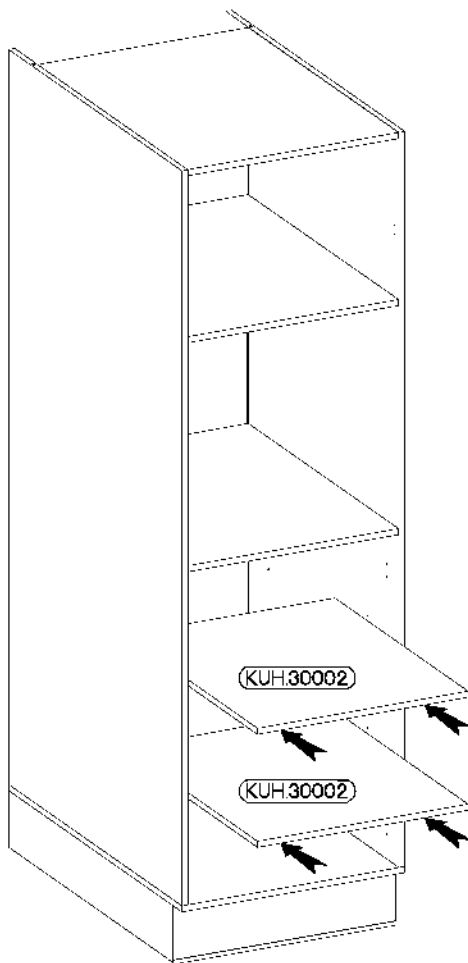


±5/16mm



J3

8



10

±35/0mm ±3.5x13mm



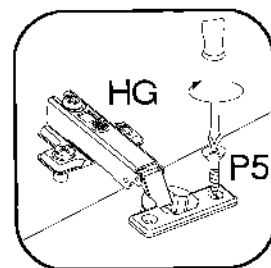
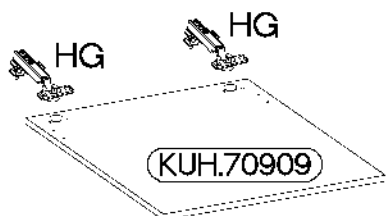
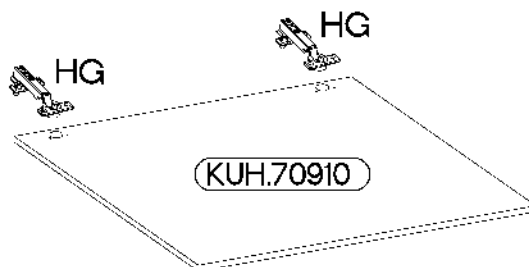
HG

4



P5

8





3.0x16mm

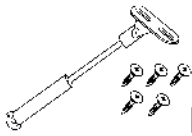
L=595mm



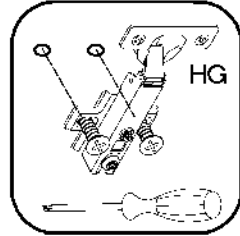
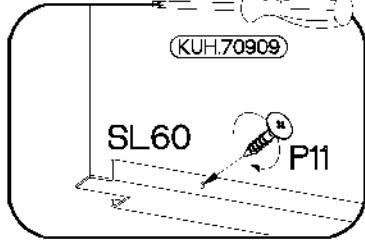
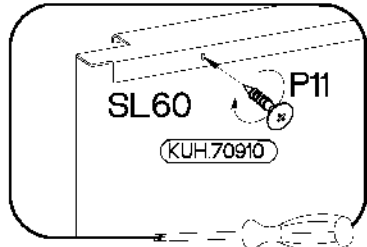
P11
8



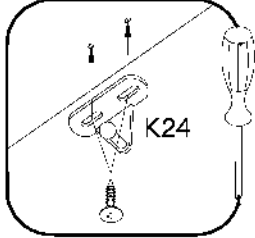
SL60
2



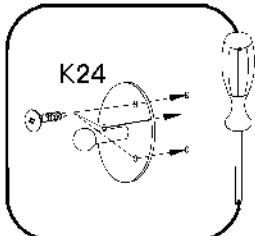
K24
2



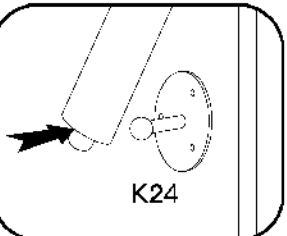
HG



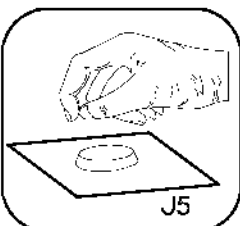
K24



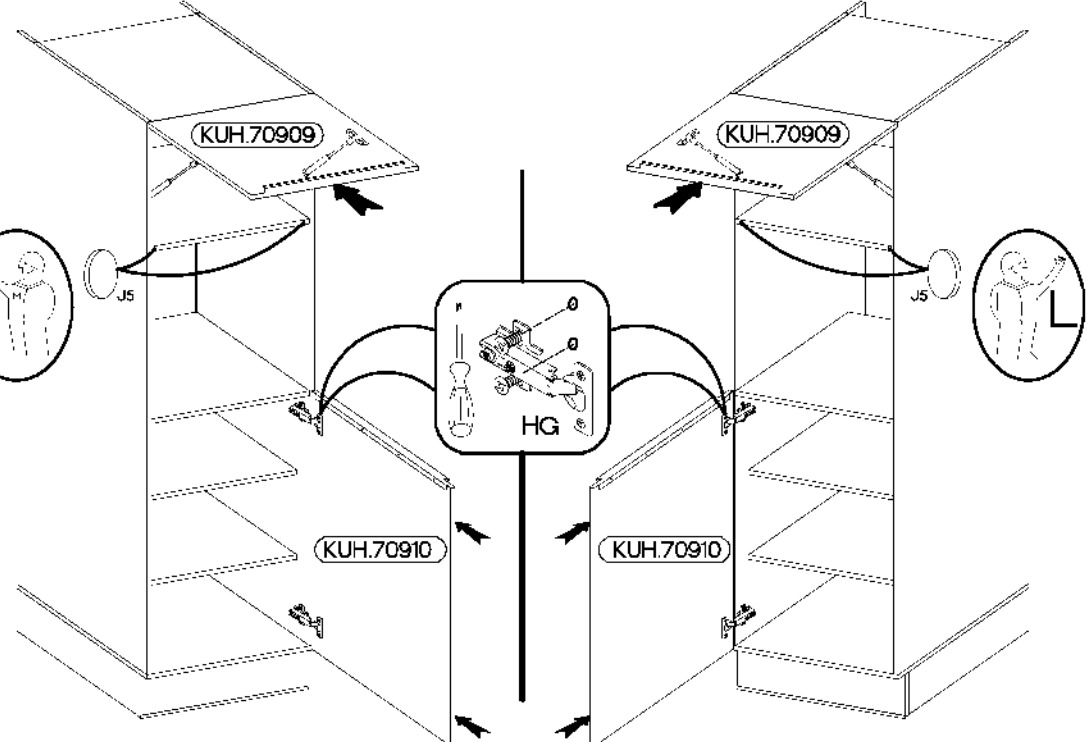
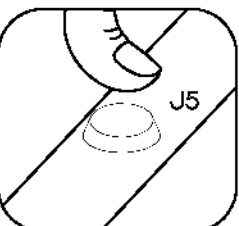
K24



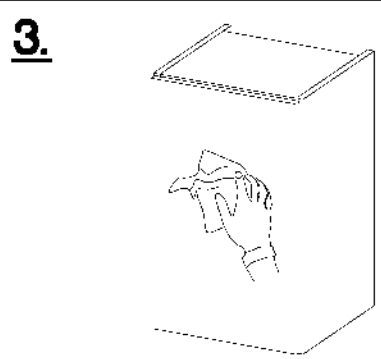
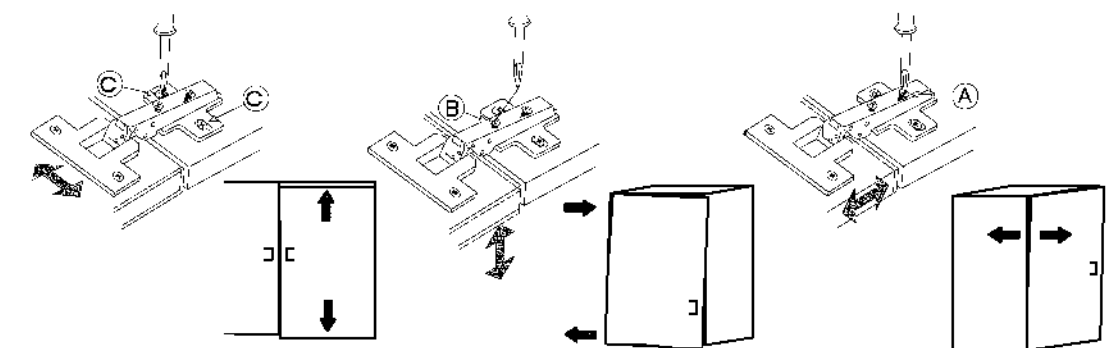
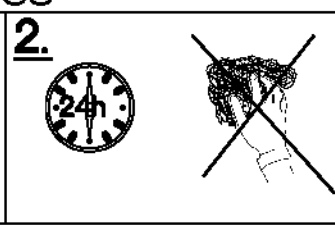
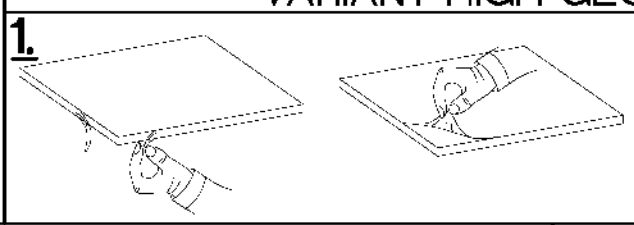
K24



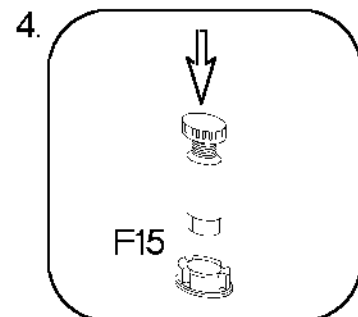
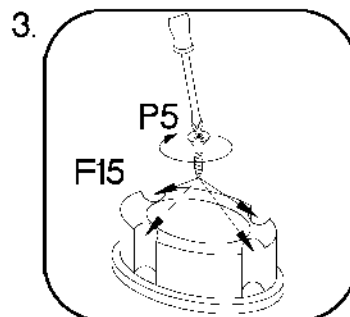
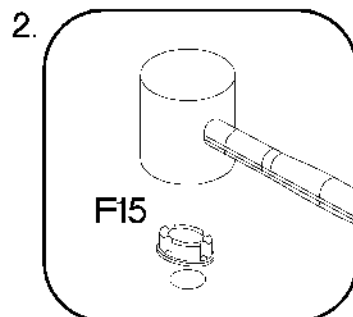
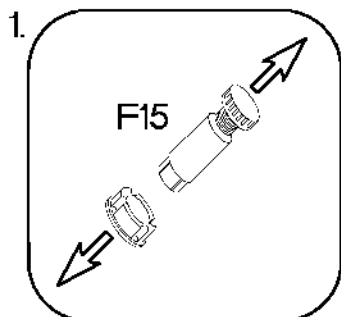
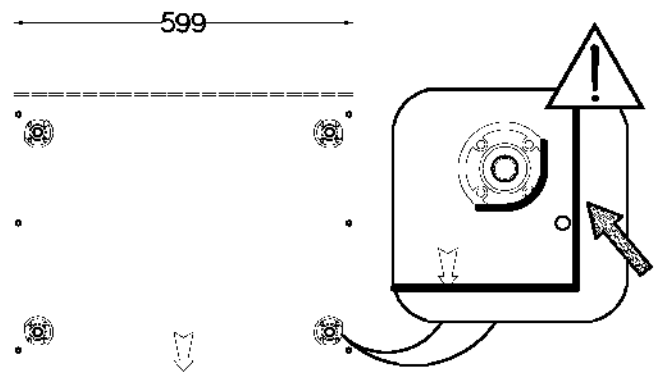
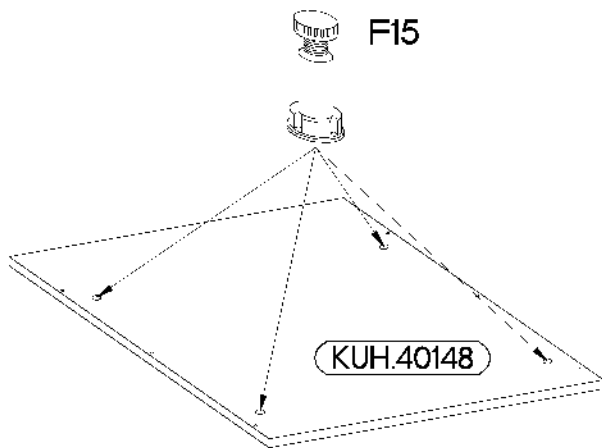
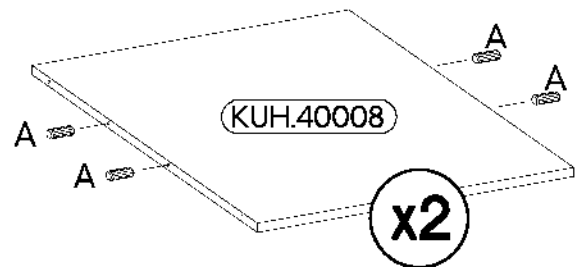
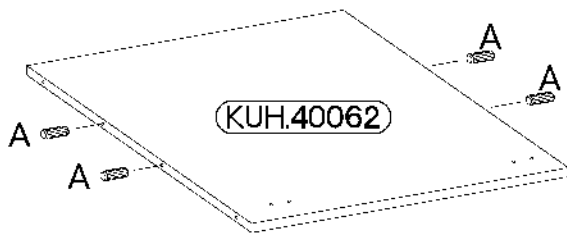
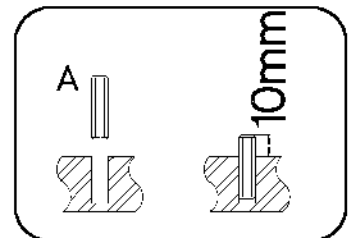
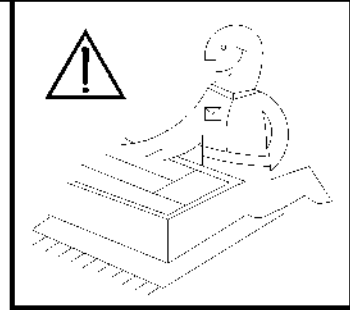
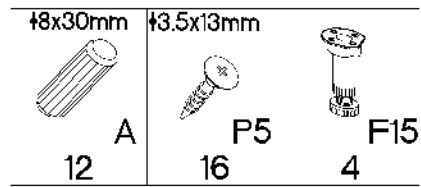
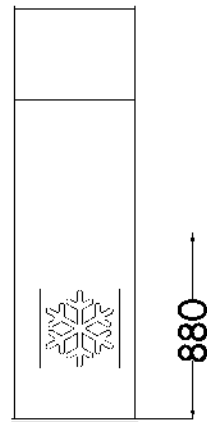
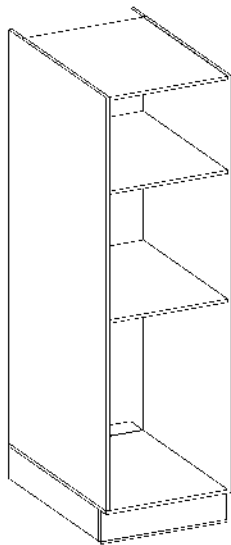
J5



VARIANT HIGH GLOSS



VARIANT 2

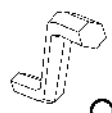


6,4 x 50mm



B

6



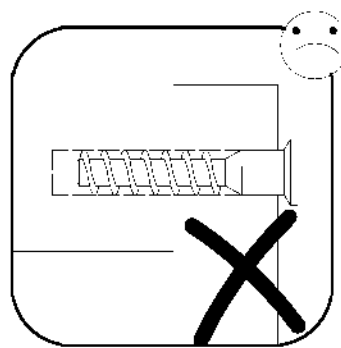
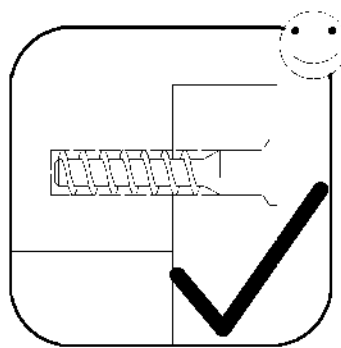
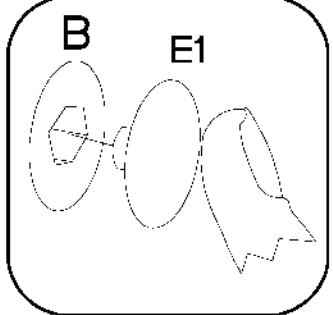
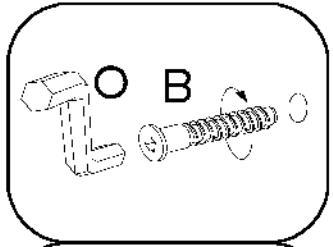
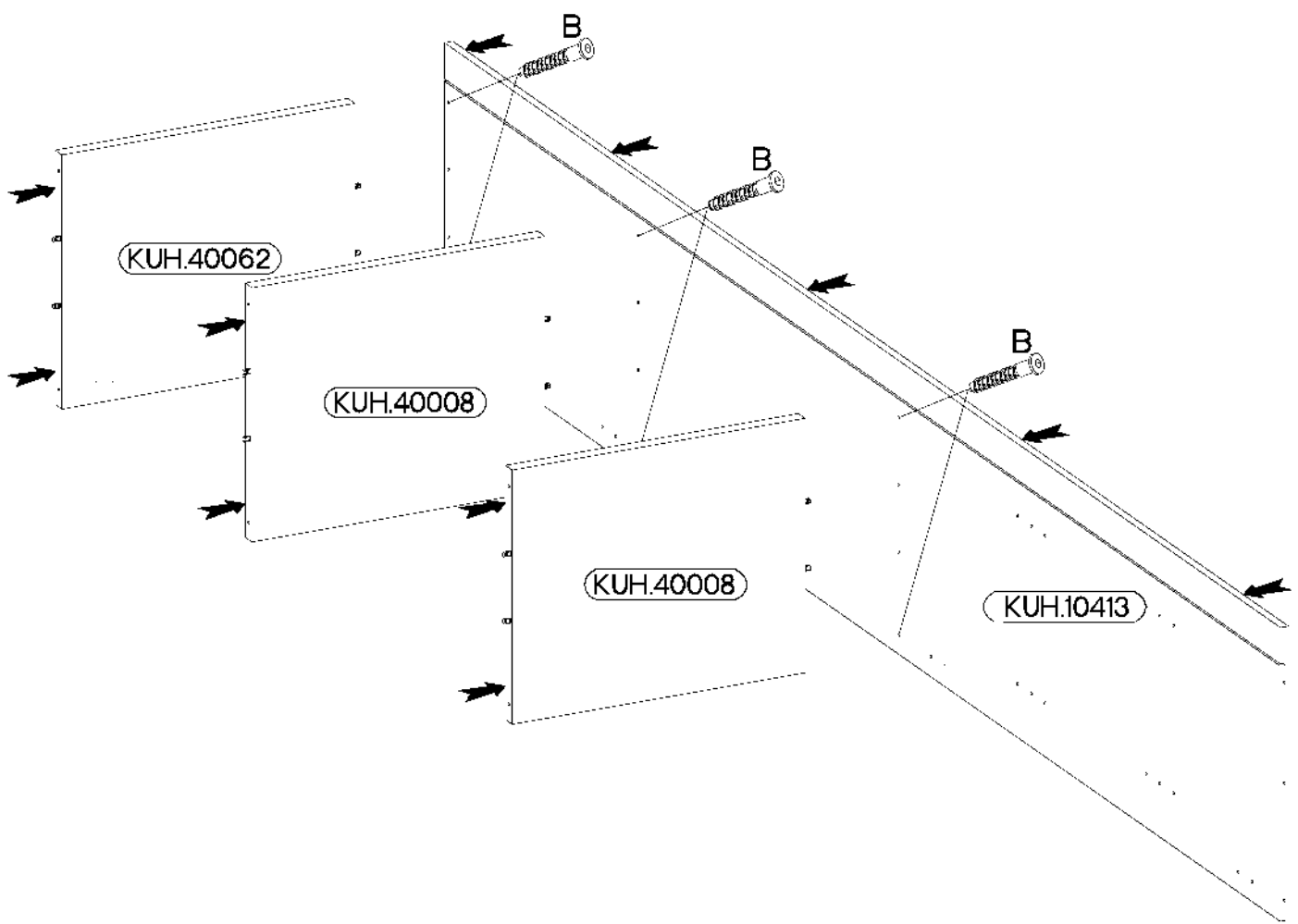
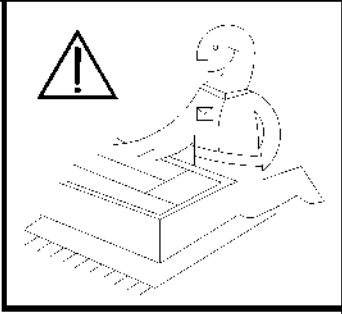
O

1



E1

6

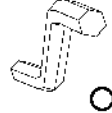


6,4 x 50mm



B

6



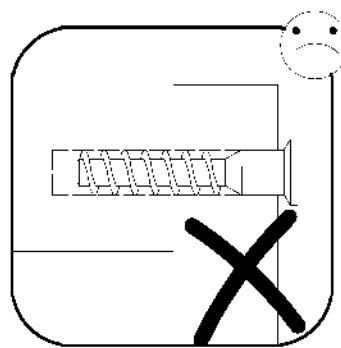
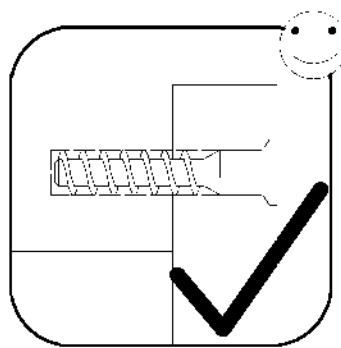
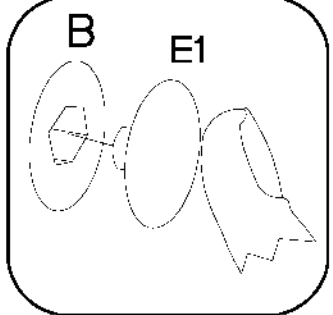
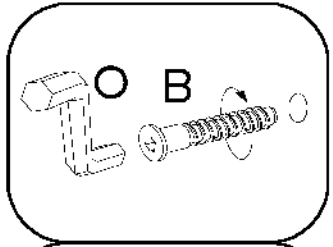
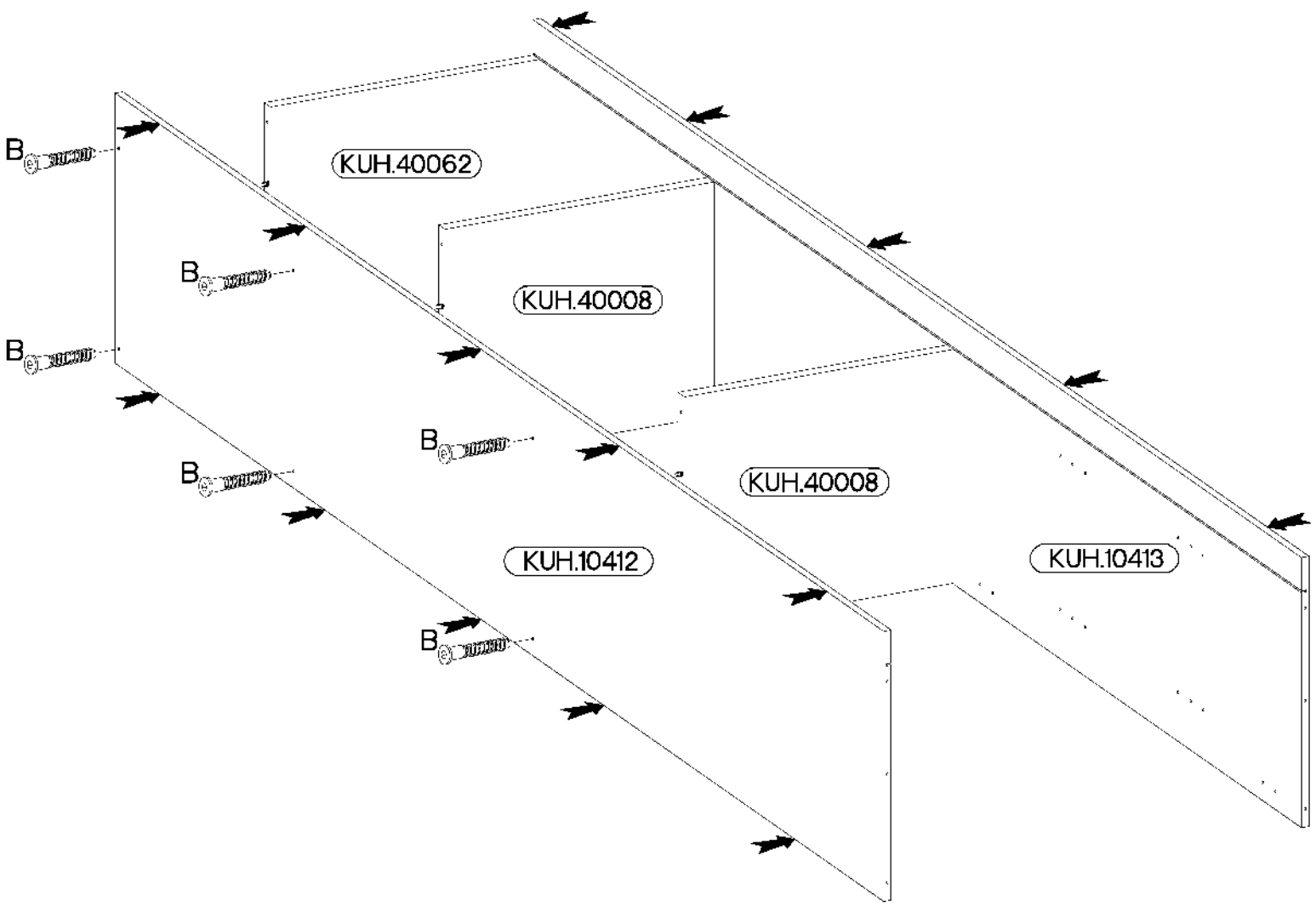
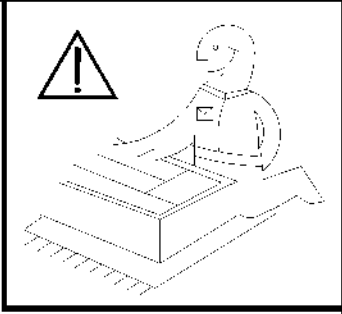
O

1

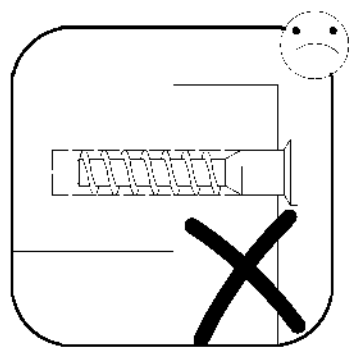
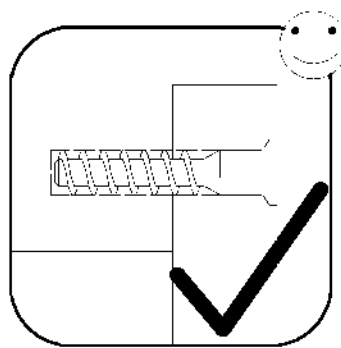
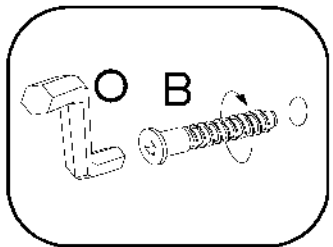
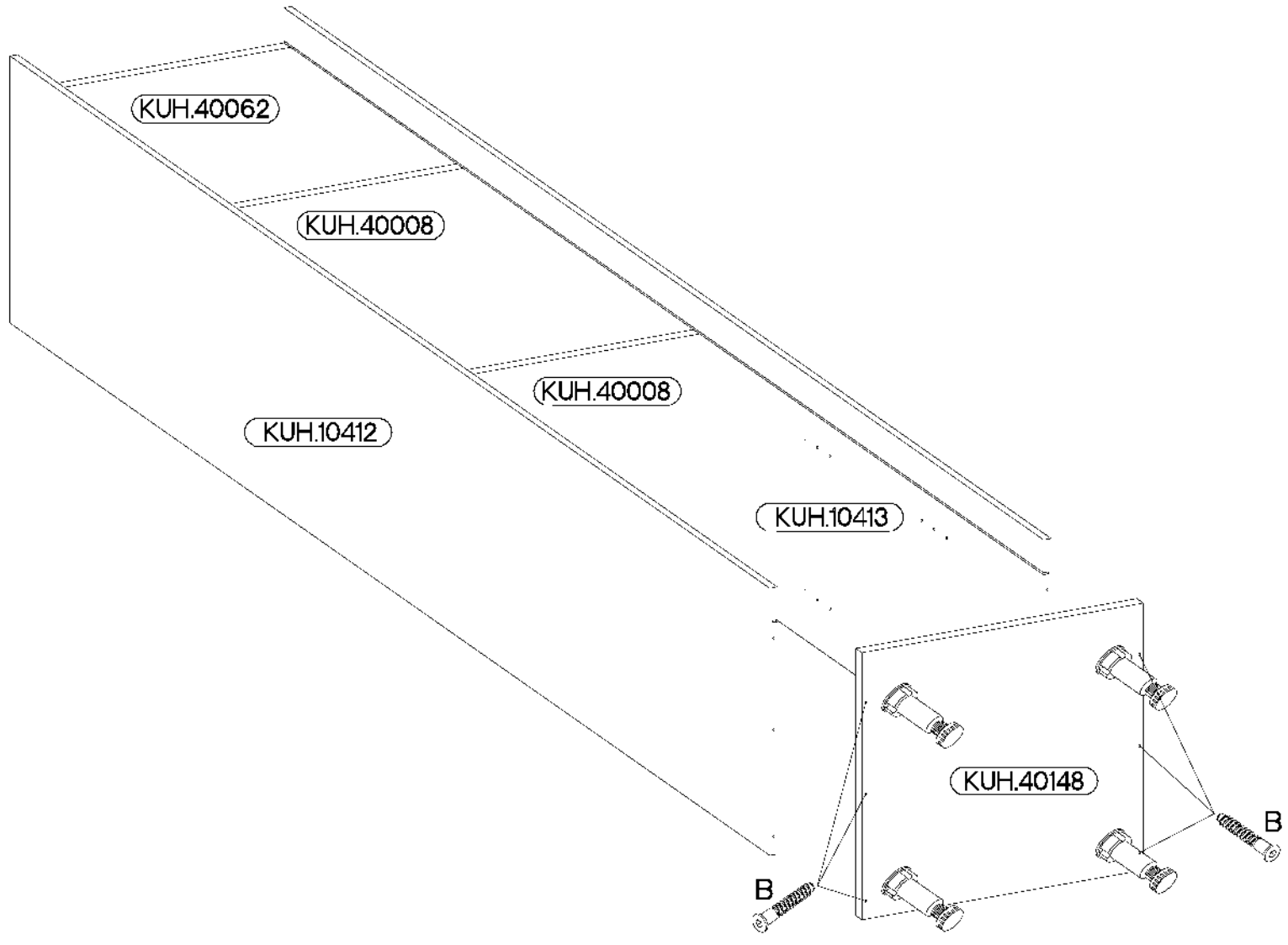
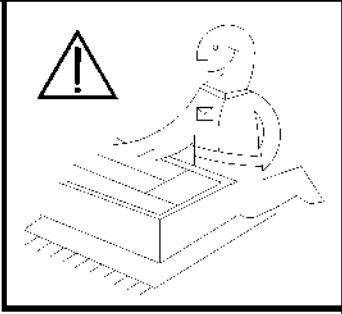
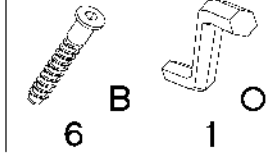


E1

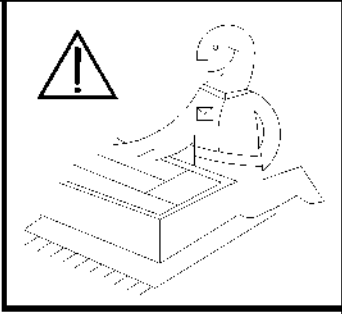
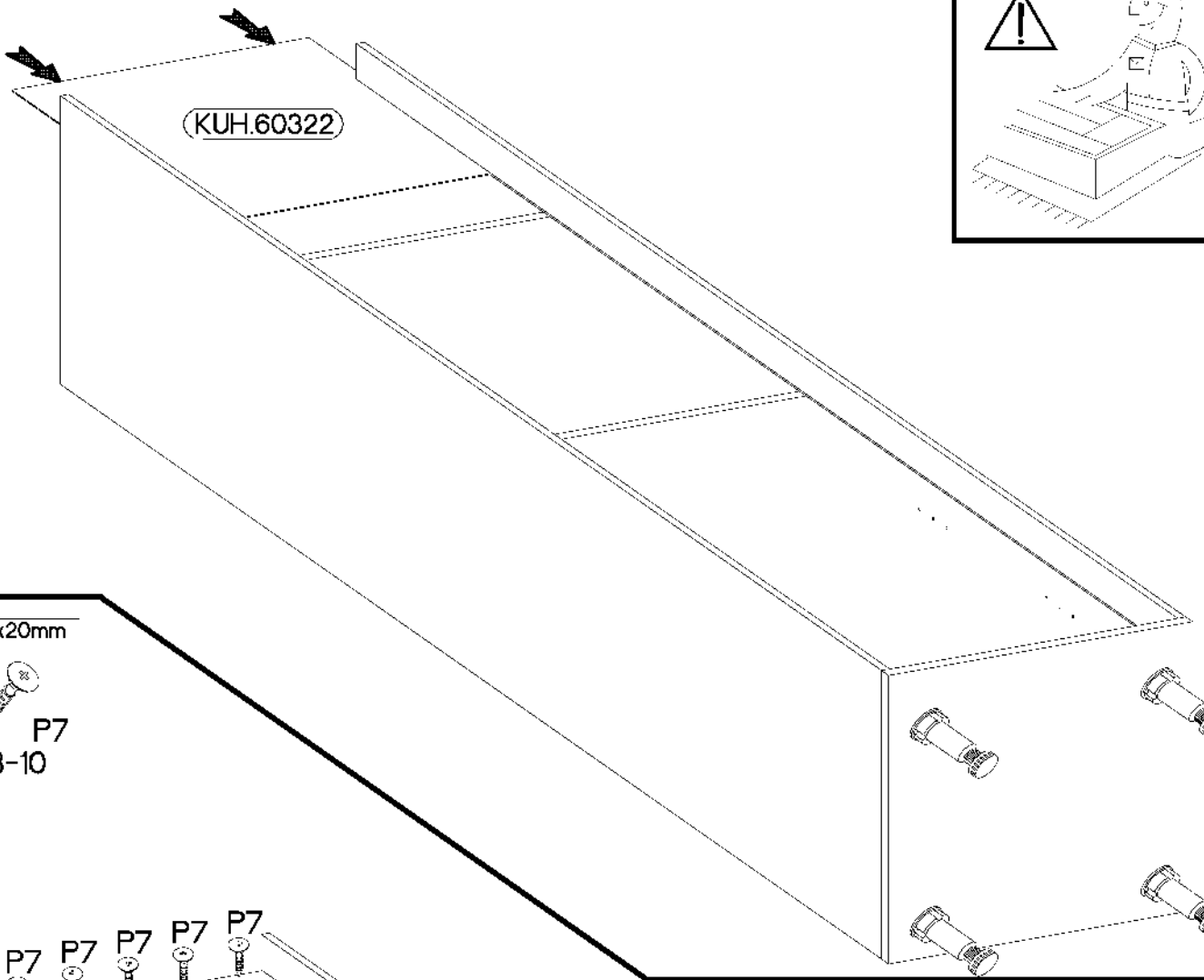
6



6,4 x 50mm

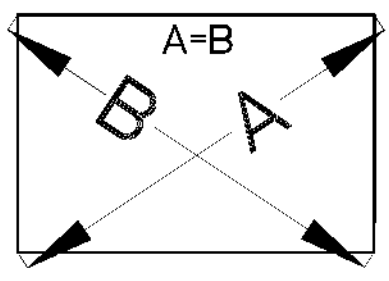
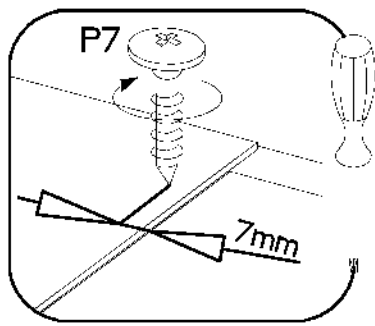
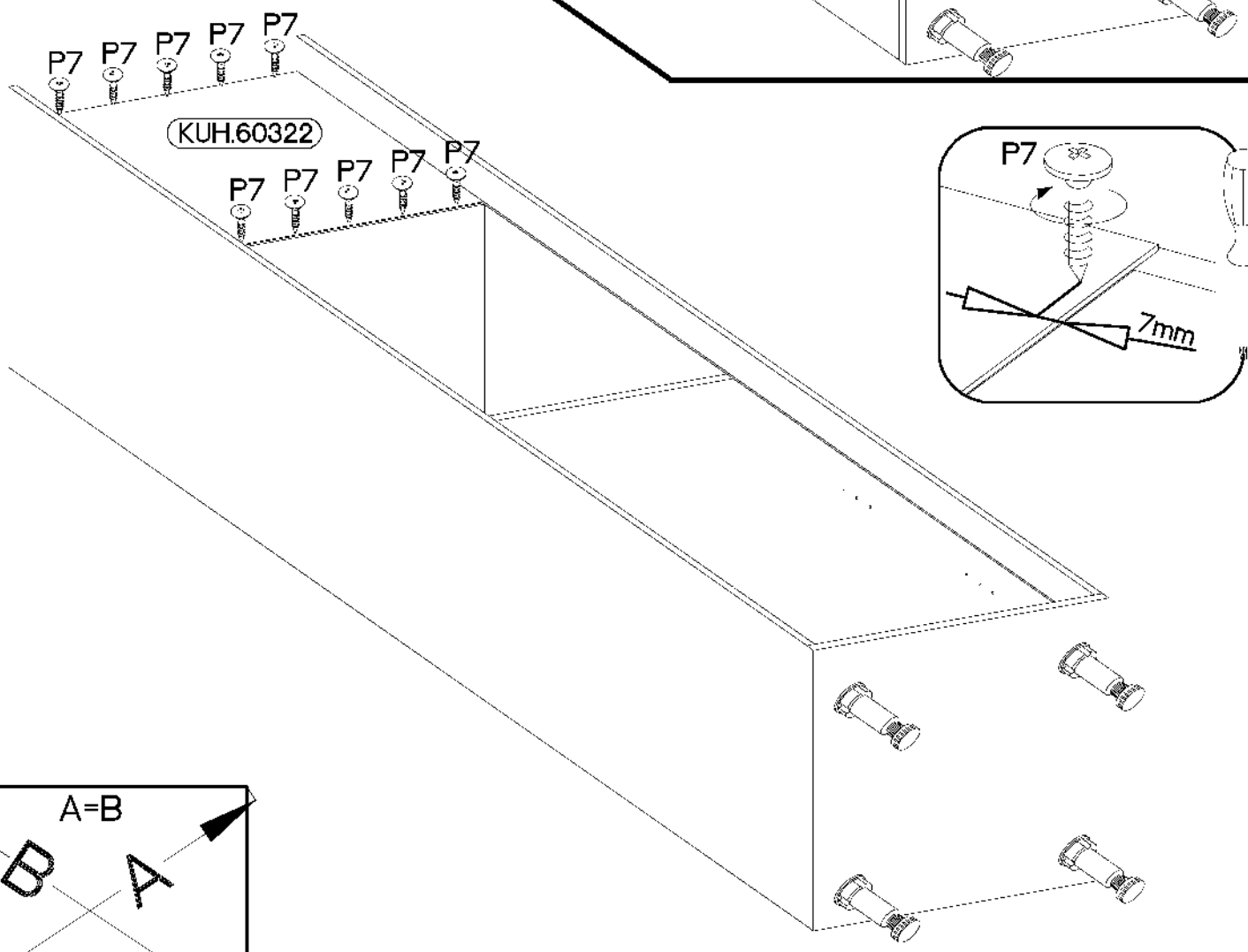


16



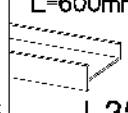
17

φ3.0x20mm
P7
8-10



+3.5x13mm

L=600mm



P5

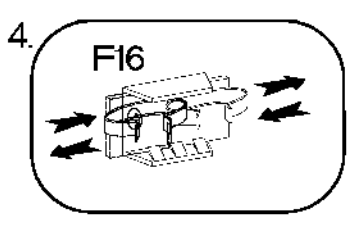
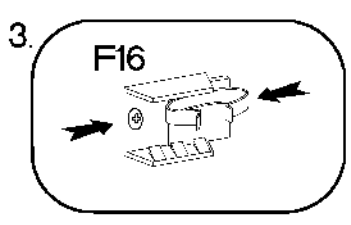
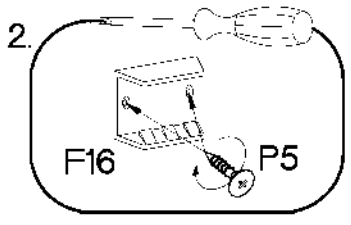
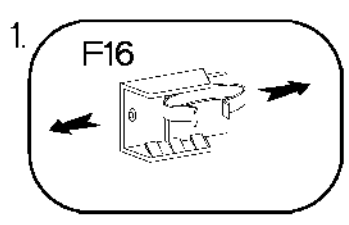
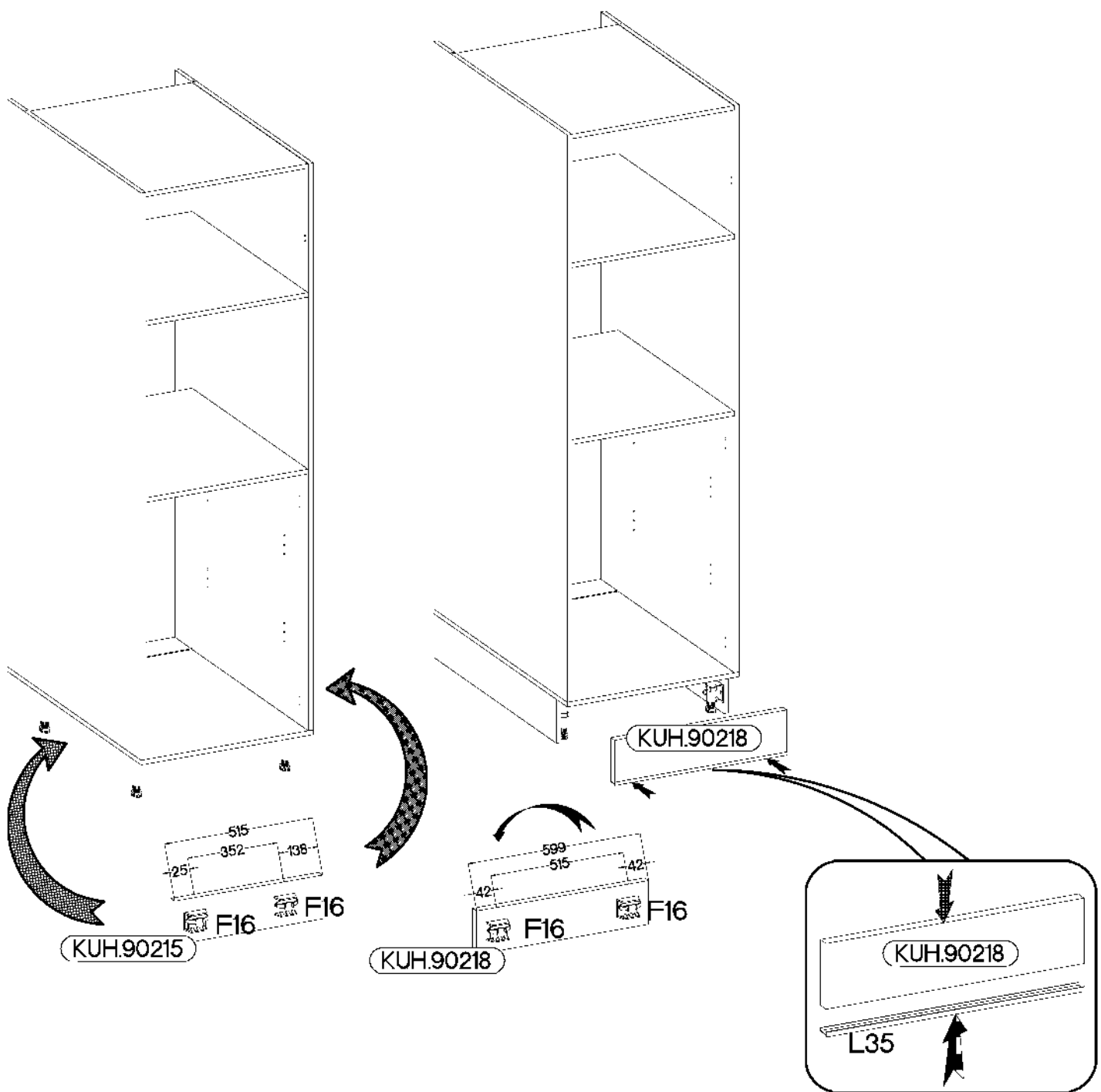
F16


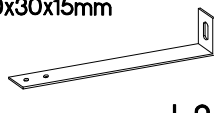
L35

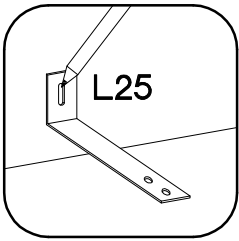
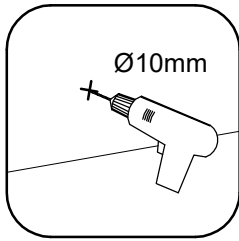
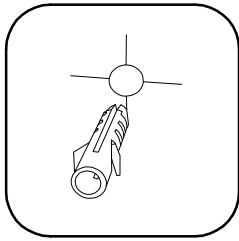
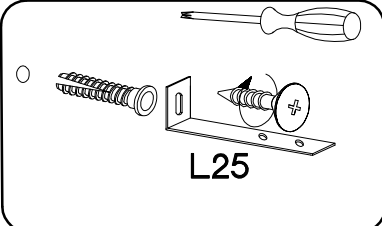
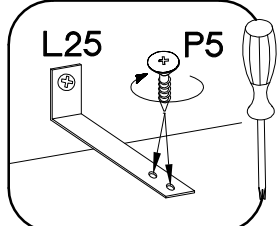
12

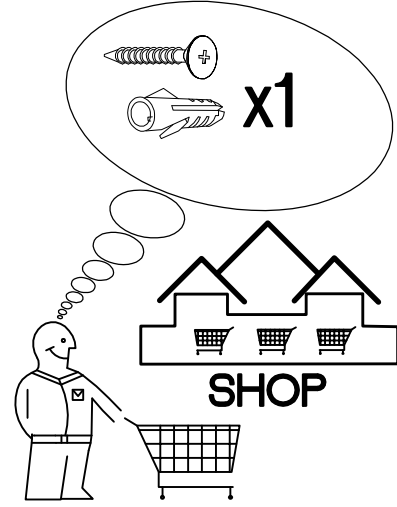
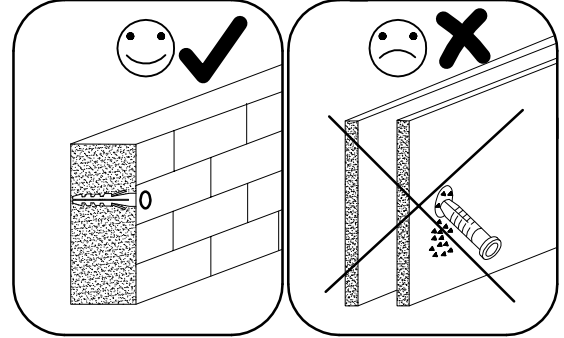
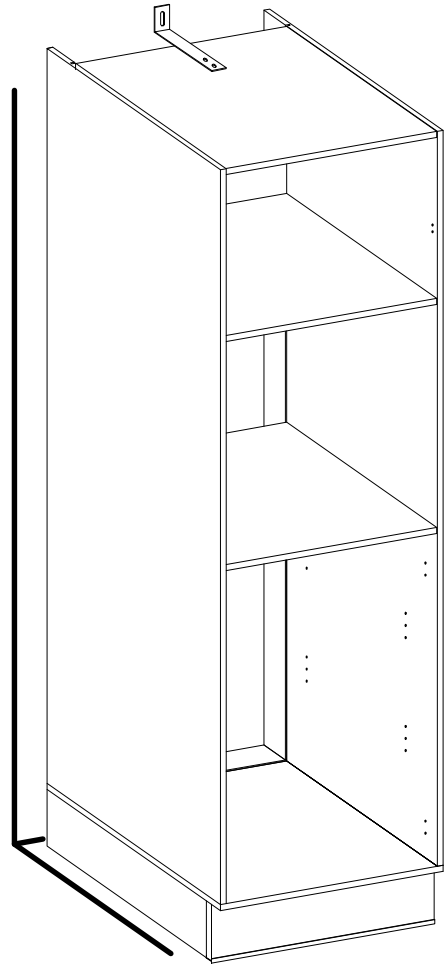
6



1

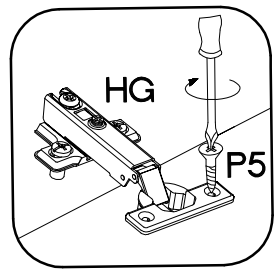
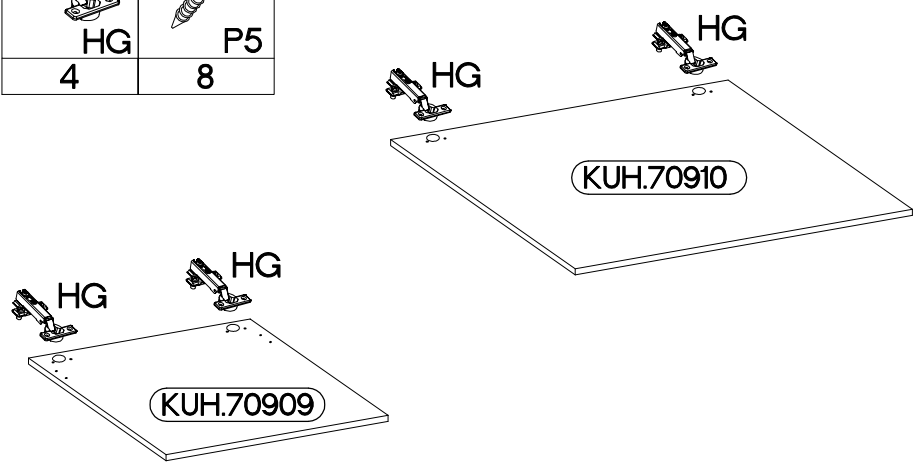


$\pm 3.5 \times 13 \text{mm}$  P5 2	$120 \times 30 \times 15 \text{mm}$  L25 1
---	--

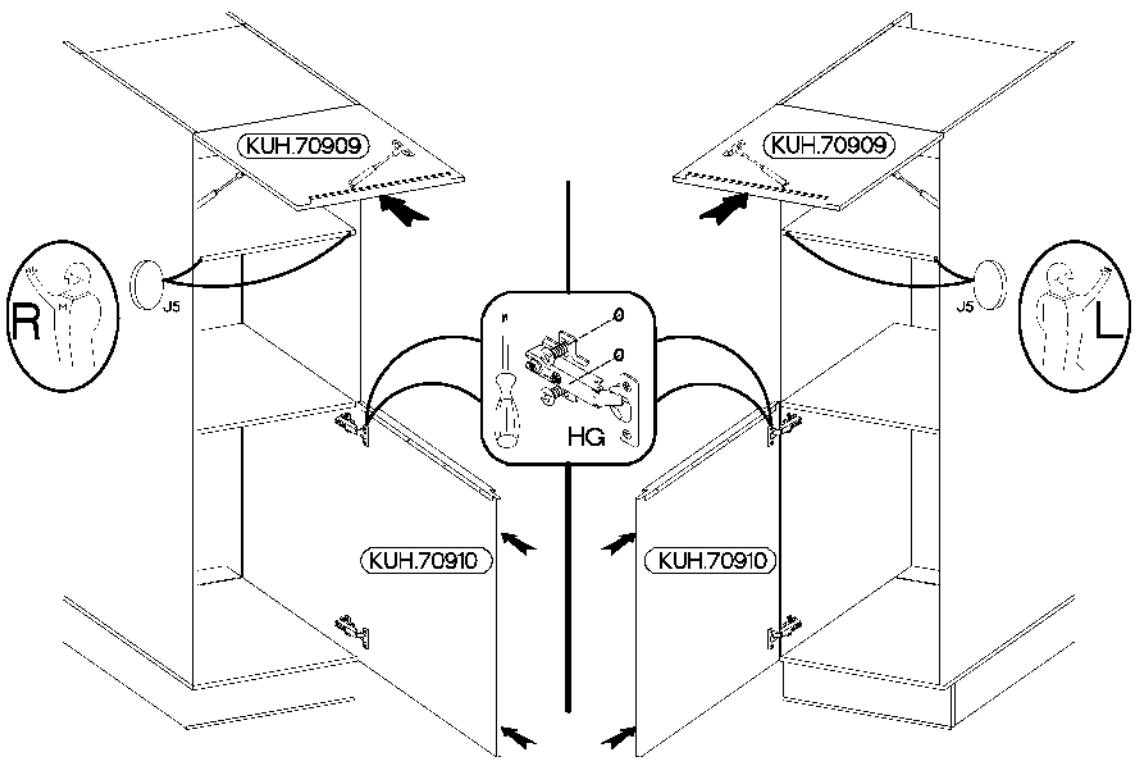
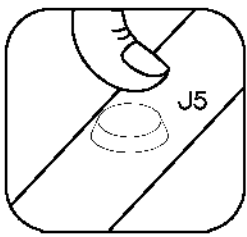
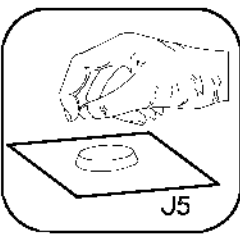
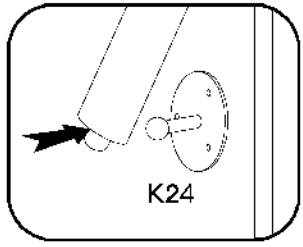
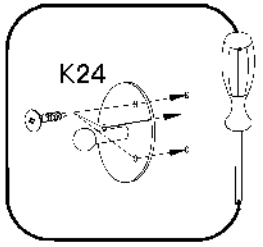
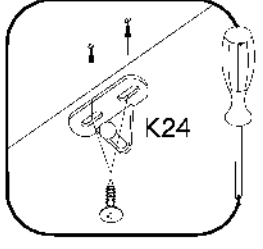
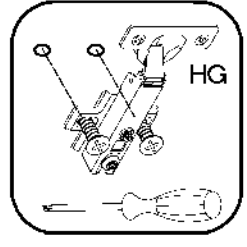
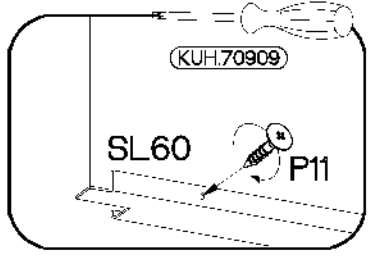
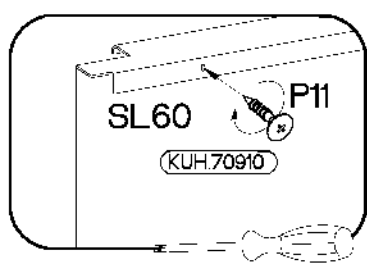
- 
- 
- 
- 
- 



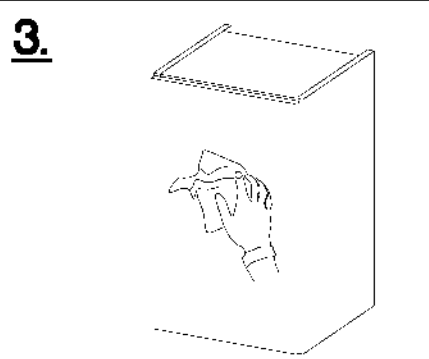
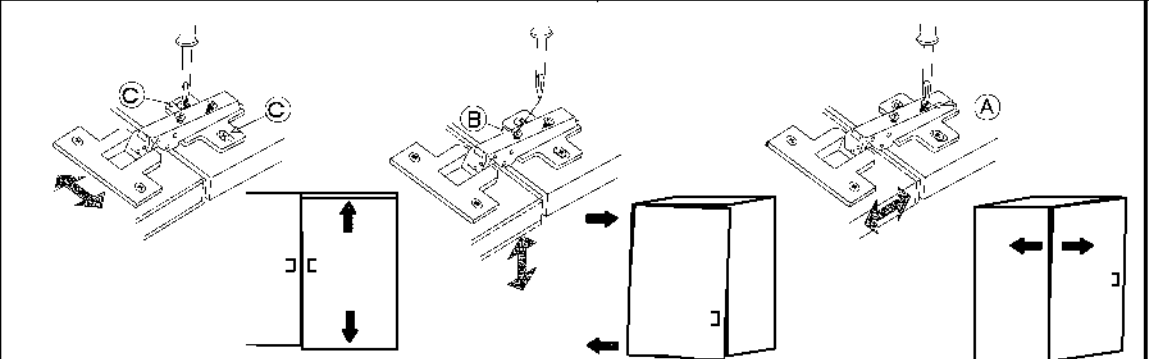
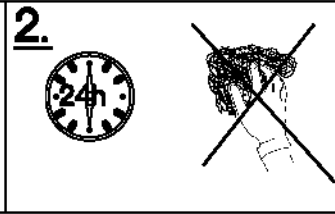
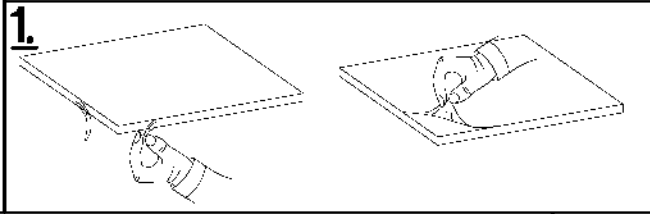
$\pm 35 / 0 \text{mm}$  HG 4	$\pm 3.5 \times 13 \text{mm}$  P5 8
---	--

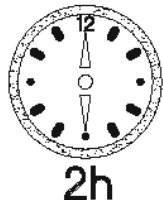
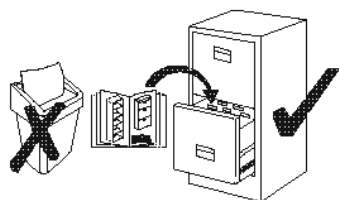
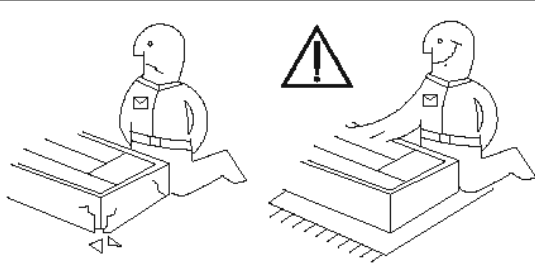
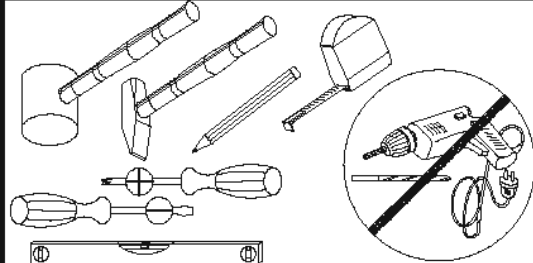
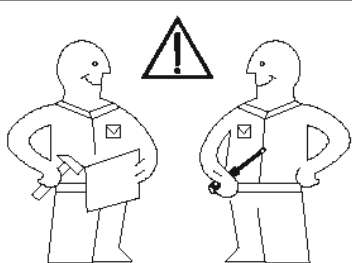


- $\pm 3.0 \times 16 \text{mm}$ P11 8
- $L=595 \text{mm}$ SL60 2
- K24 2



VARIANT HIGH GLOSS



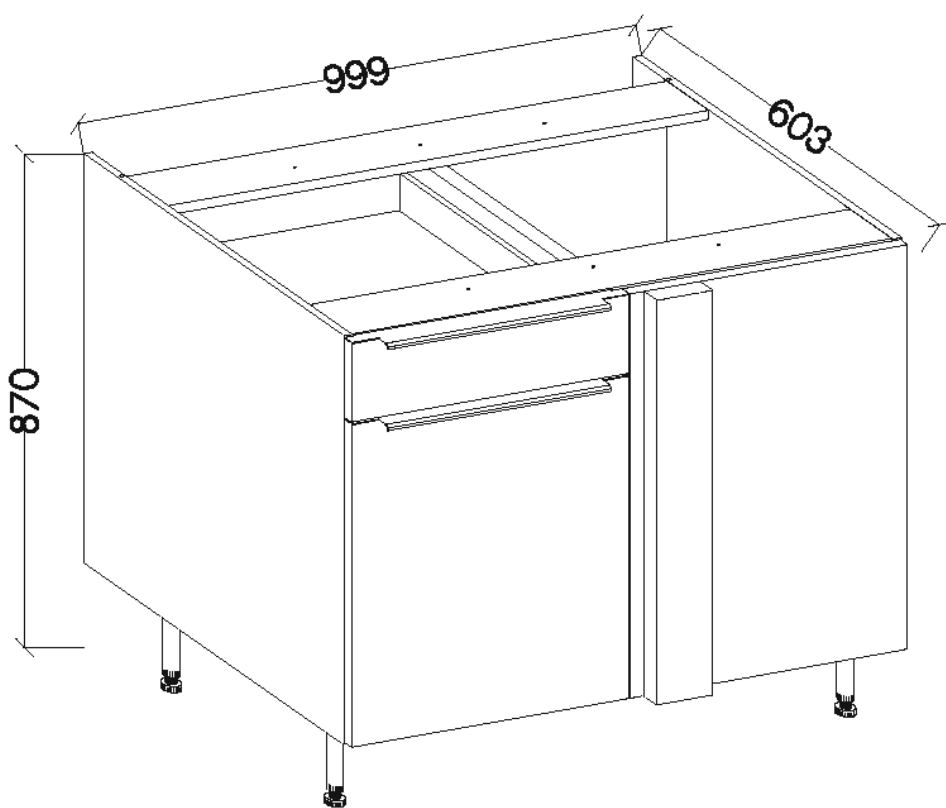


SAFADO / MARLEEN

73-156-...
73-15G-...
73-15H-...



respekta®



±8x30mm 	6,4 x 50mm 	±6x42mm
A	B	B2

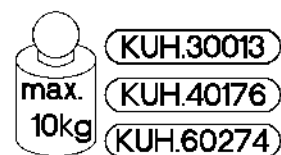
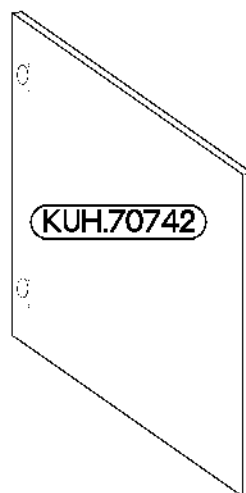
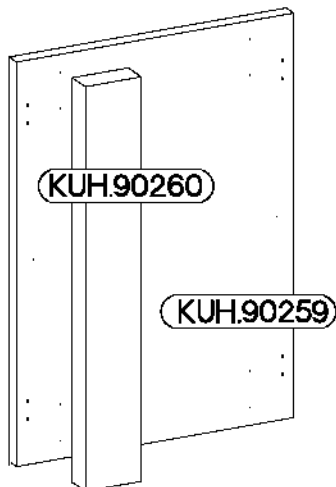
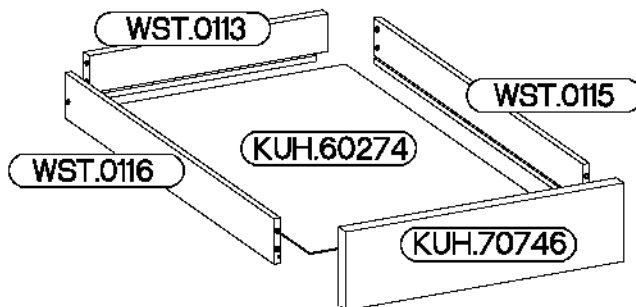
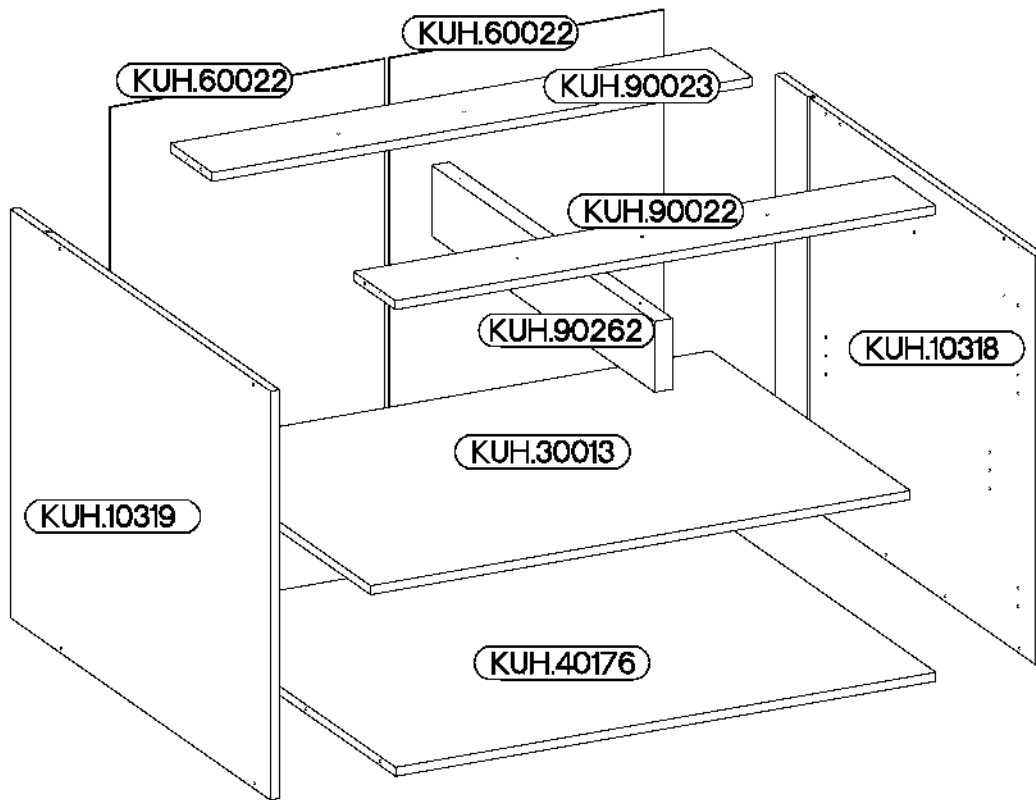
12	10	2
±12/10mm 	L=20mm 	
C5	D2	E1

±6.3x13mm 		
M2	O	O1

		±35/90° 			±5/16mm 		L=680mm
F15	F16	HG6	L=450mm	I11	J3	L	L1
4	2	2	1	1	4	2	1

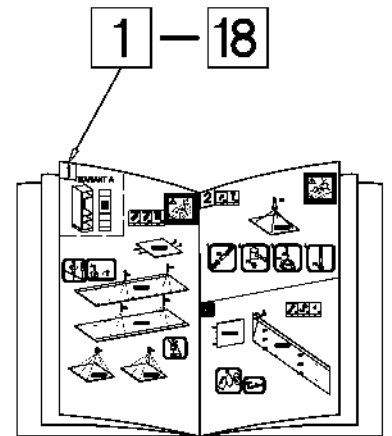
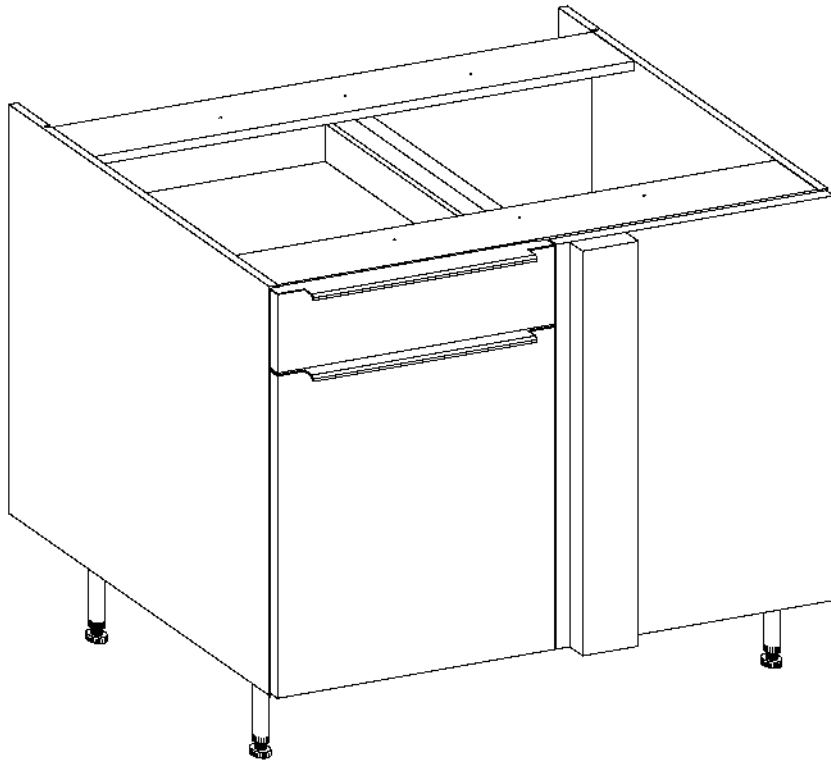
±4.0x16mm 	±3.5x13mm 	±3.0x20mm 	±4.0x30mm 	±3.0x16mm 	±4.0x35mm 	L=495mm 	
P1	P5	P7	P8	P11	R3	SL50	T3
10	24	15-20	2	6	4	2	5

ISM-KUH-01596

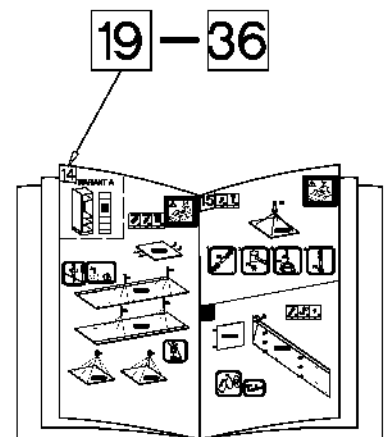
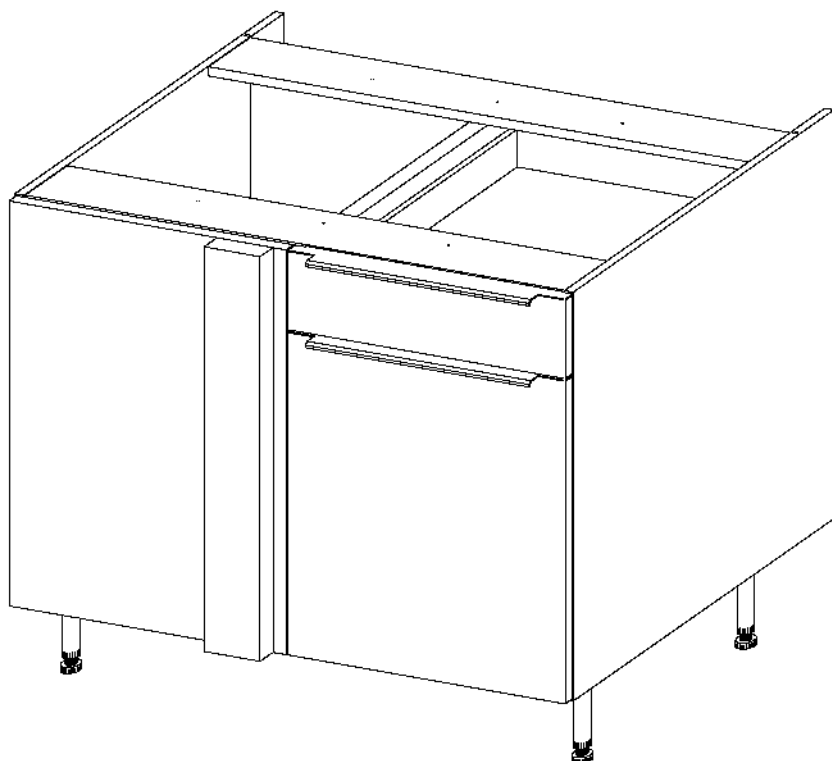


Colli	Spare Part	Dimension
Colli 1/2	KUH.10318	720x560x16
	KUH.10319	720x560x16
	KUH.30013	966x430x16
	KUH.40176	967x485x16
	KUH.60022 x2	713x491x2,5
	KUH.60274	448x437x2,5
	KUH.70742	568x496x16
	KUH.70746	138x496x16
	KUH.90259	713x496x16
	KUH.90260	713x100x28
	KUH.90262	480x125x32
	WST.0113	427x80x12
	WST.0115	450x80x12
WST.0116	450x80x12	
Colli 2/2	KUH.90022	967x90x16
	KUH.90023	967x90x16

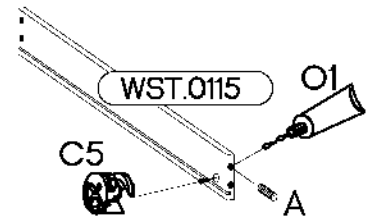
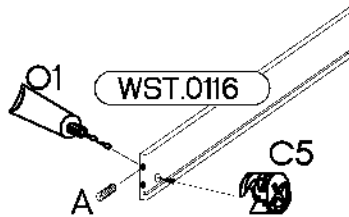
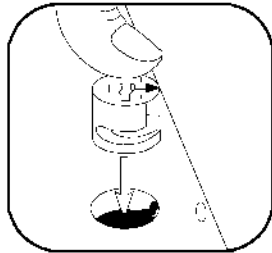
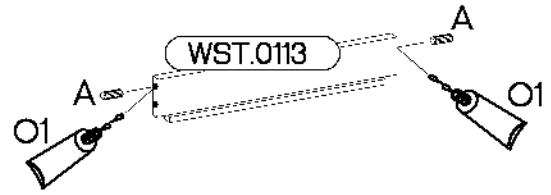
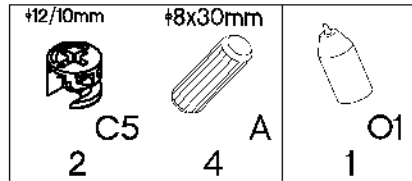
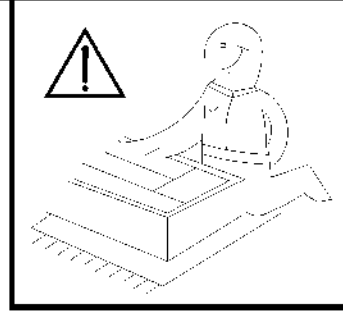
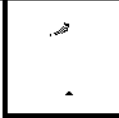
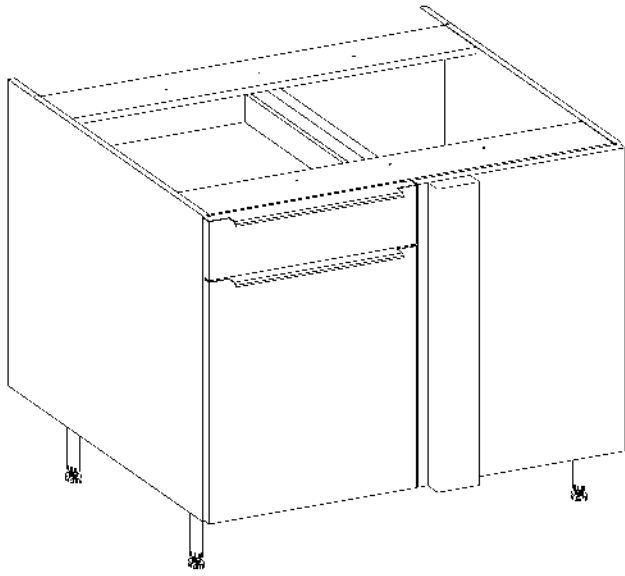
VARIANT L



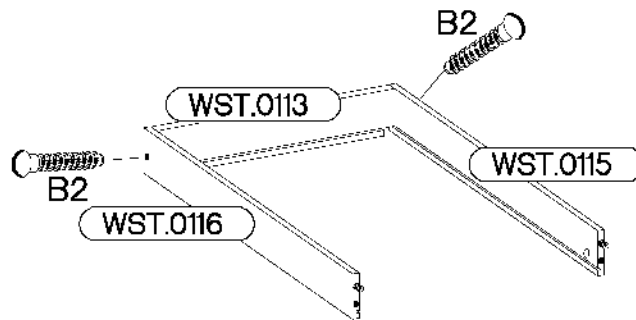
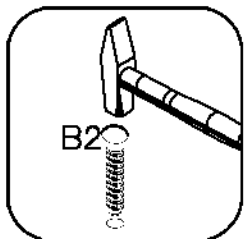
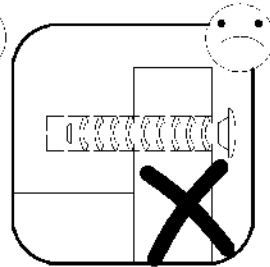
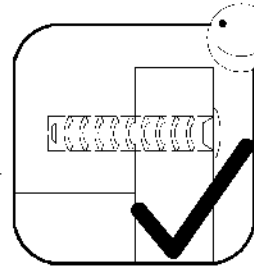
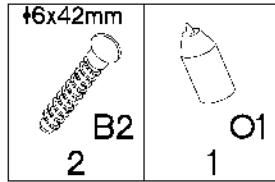
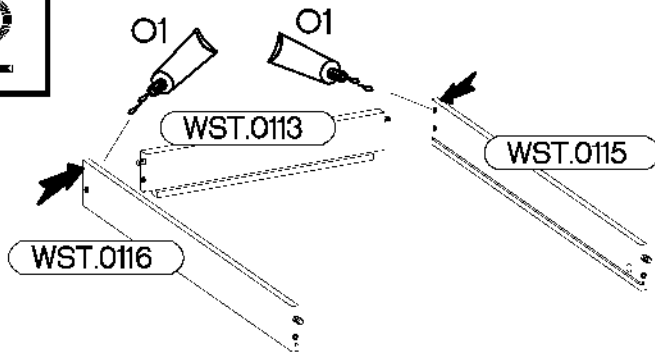
VARIANT R



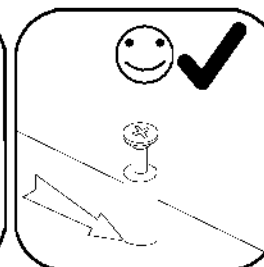
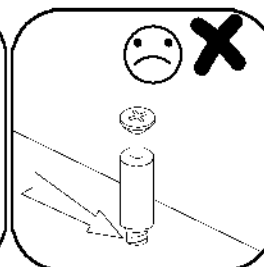
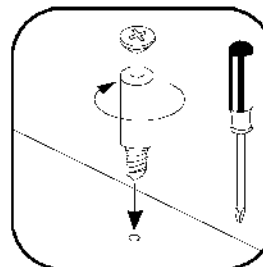
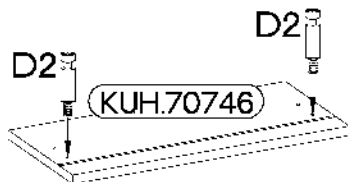
VARIANT L



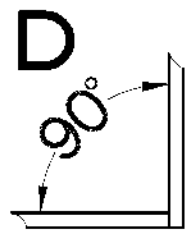
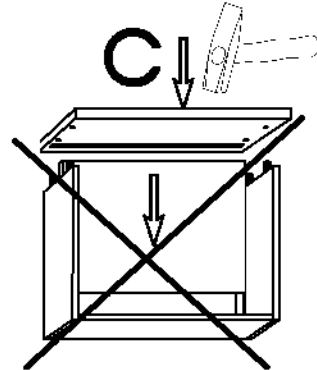
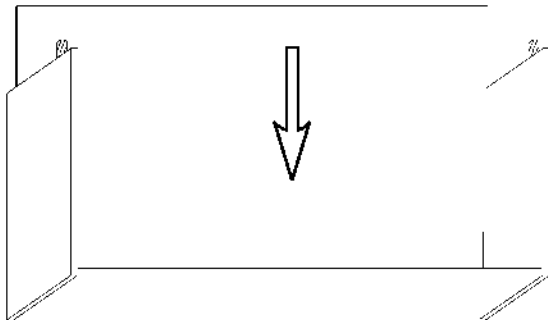
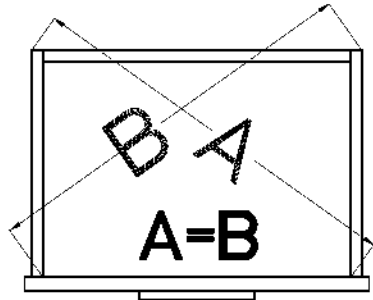
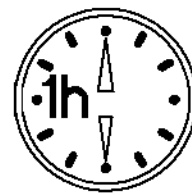
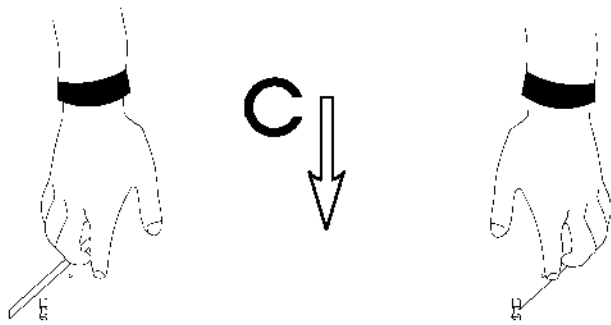
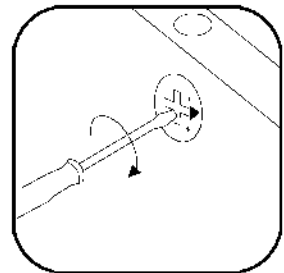
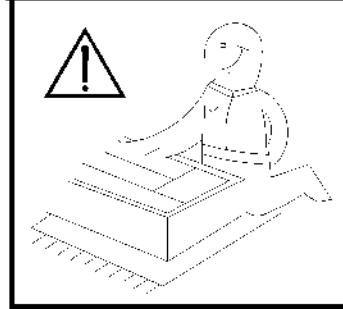
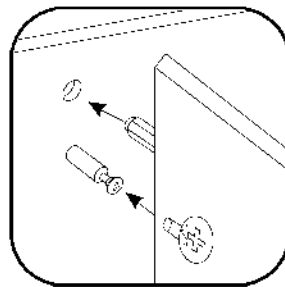
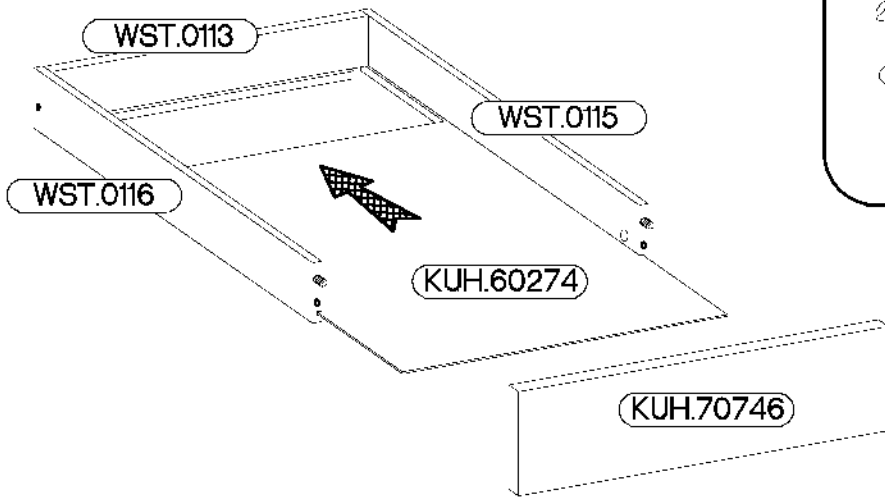
2



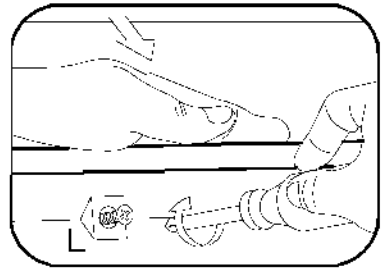
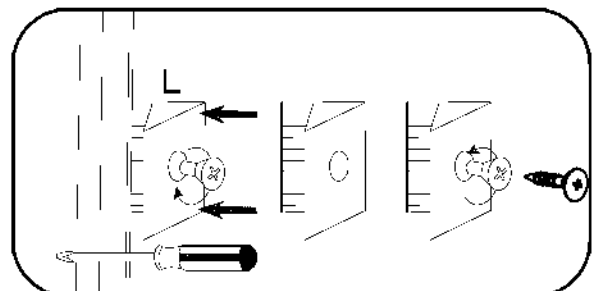
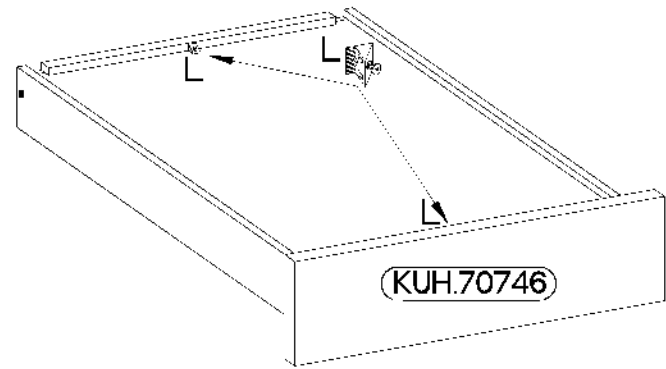
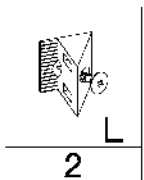
3



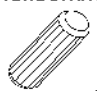

4

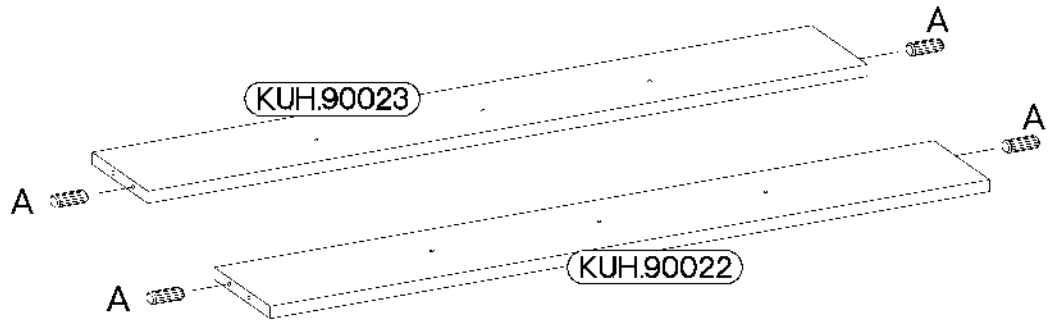
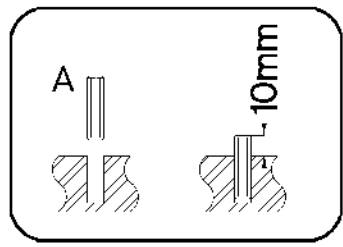
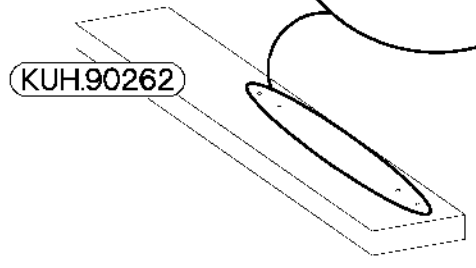
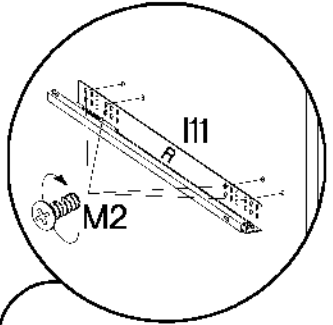
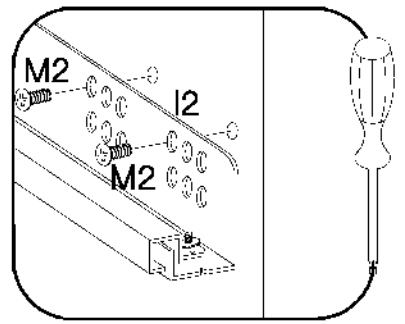
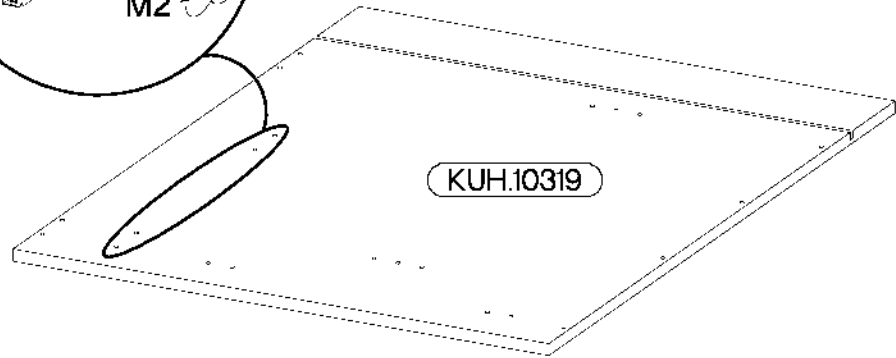
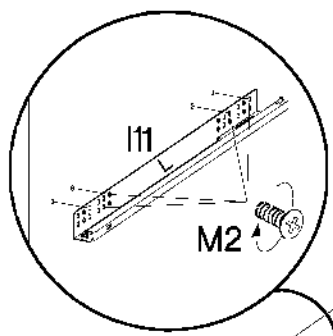
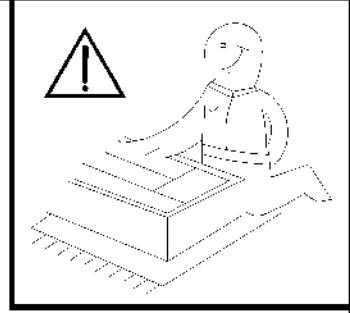


5





$\varnothing 8 \times 30 \text{mm}$ 	$\varnothing 6.3 \times 13 \text{mm}$ 	
A L=450mm 4	I11 R 1	M2 8





φ3.5x13mm



P5

16



F15

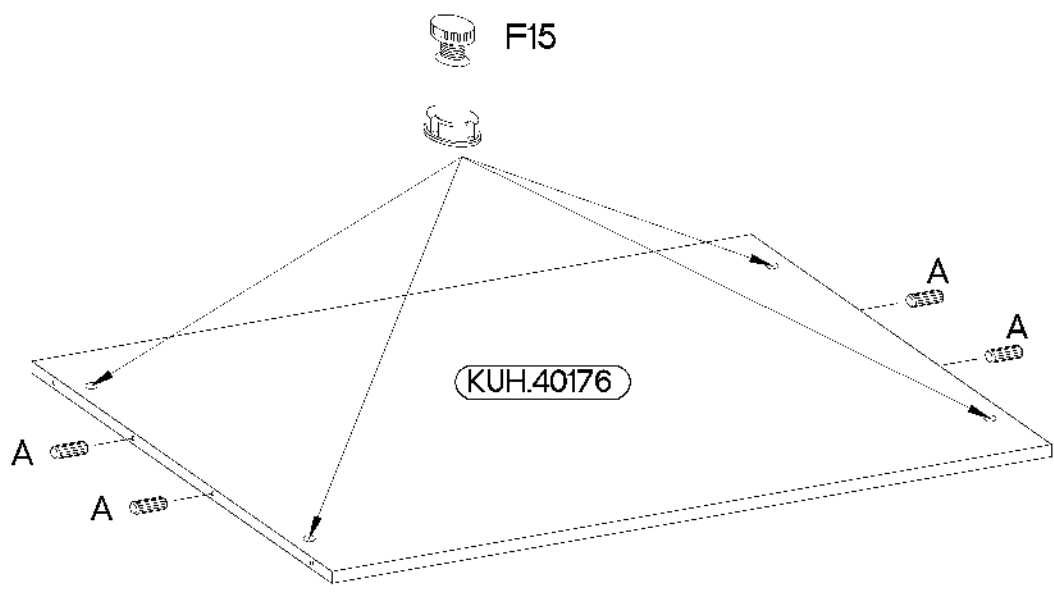
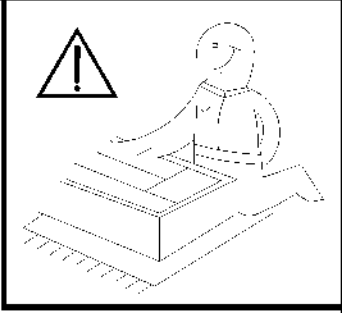
4

φ8x30mm

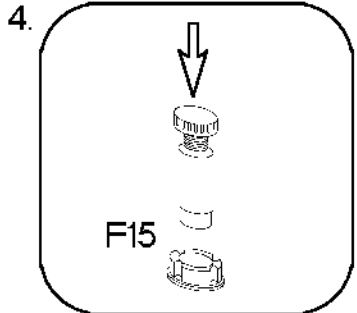
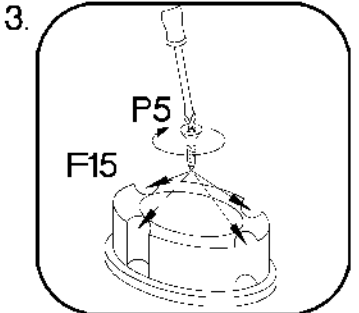
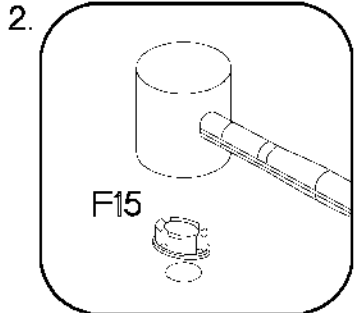
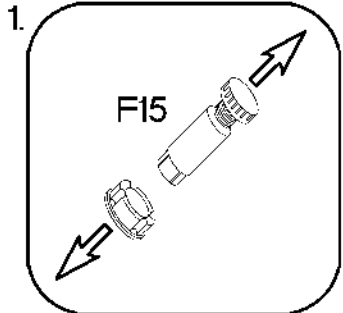
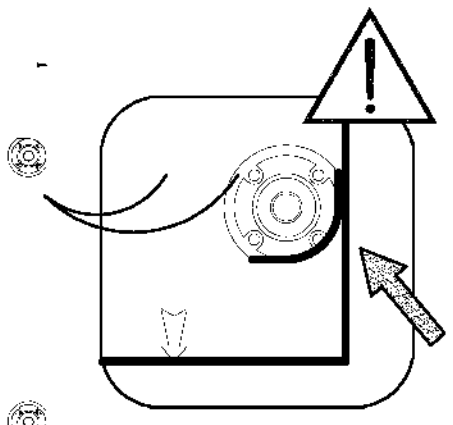


A

4



967





6,4 x 50mm



B

4



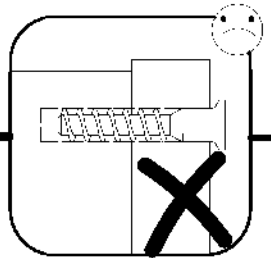
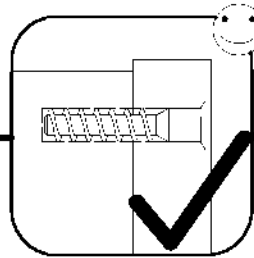
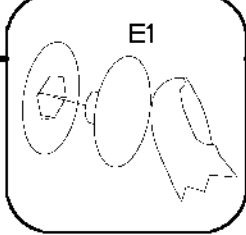
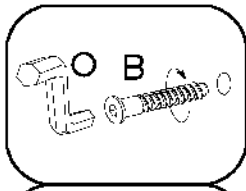
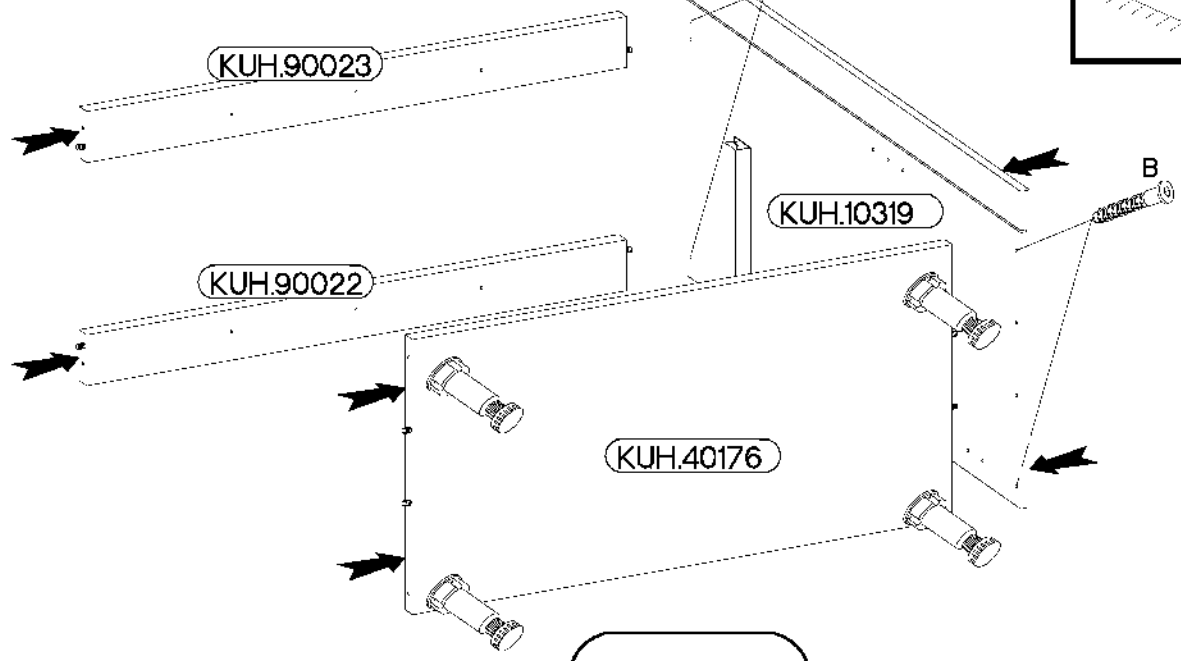
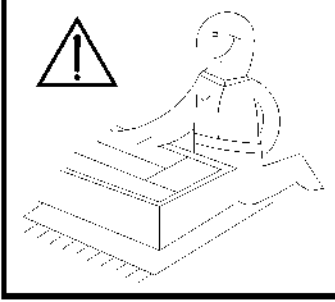
O

1



E1

4



6,4 x 50mm



B

4



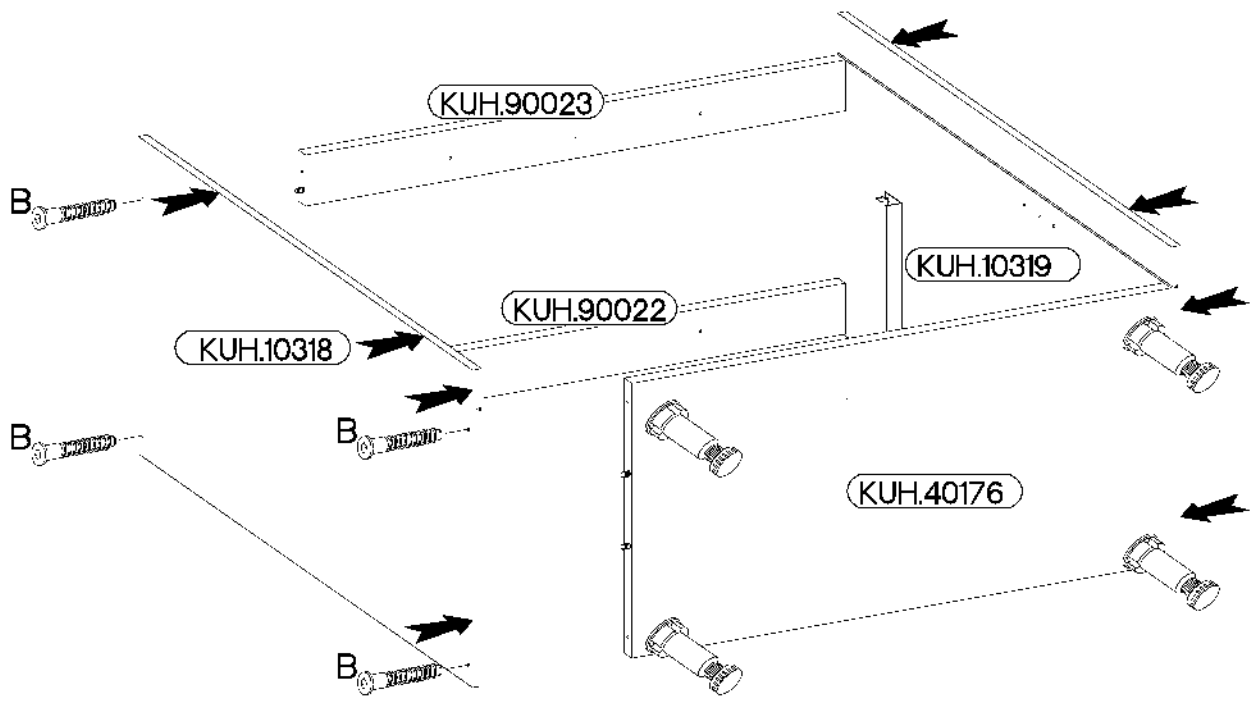
O

1



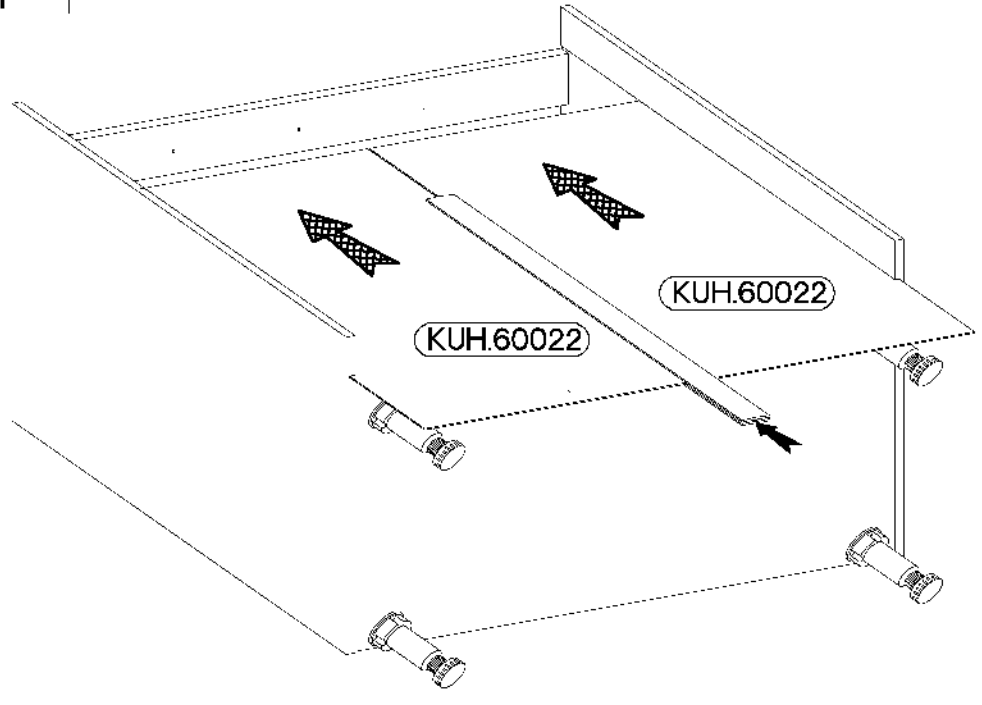
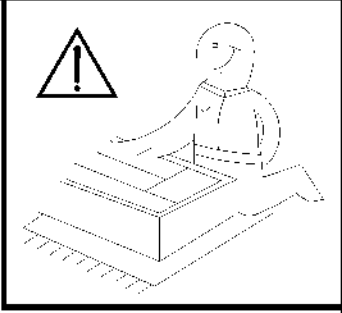
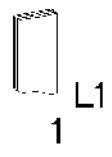
E1

4



10

L=680mm



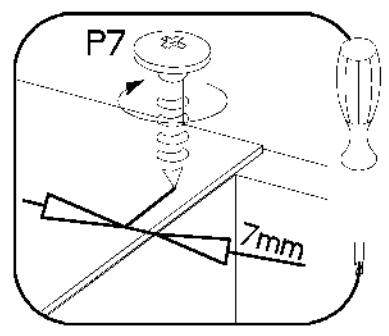
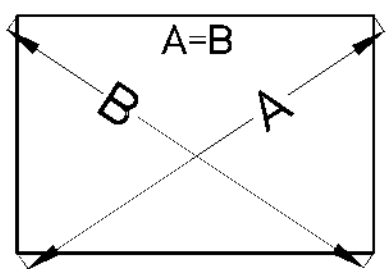
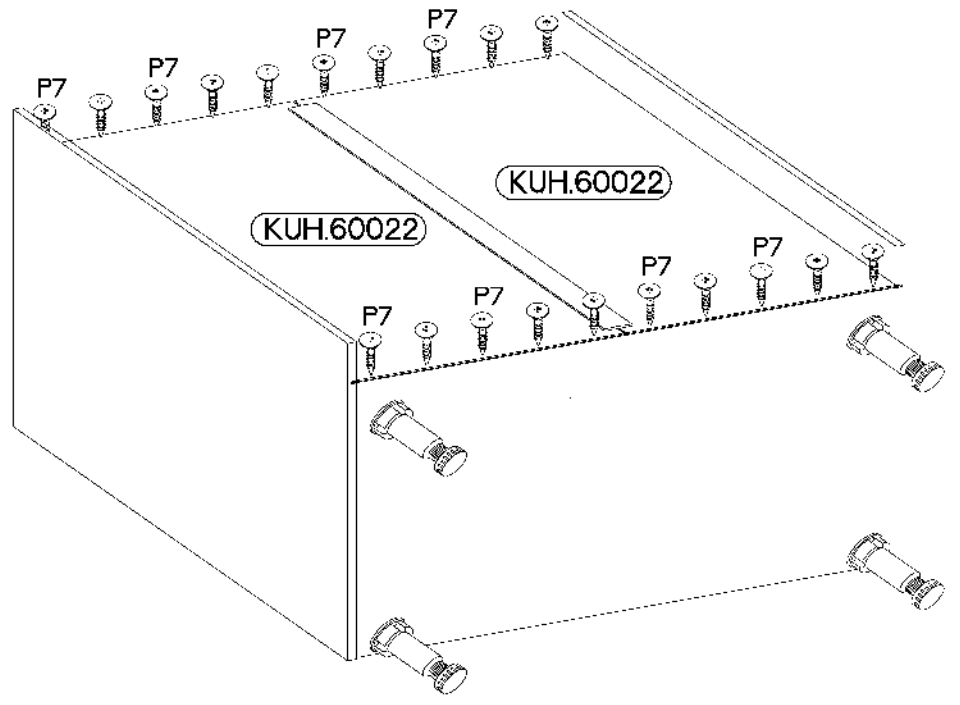
11

3.0x20mm

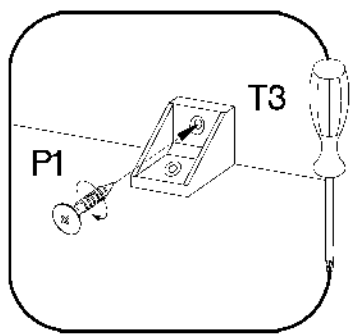
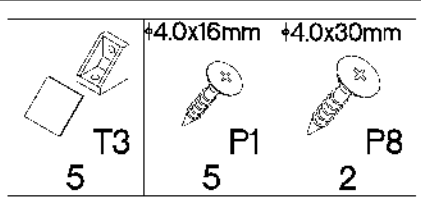


P7

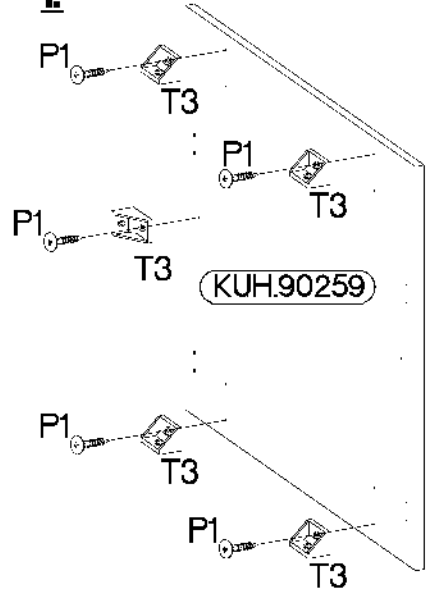
15-20



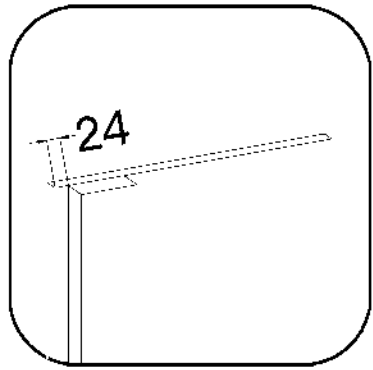
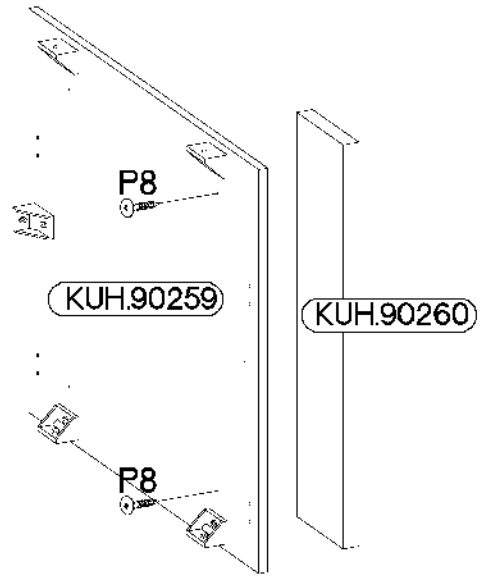
2



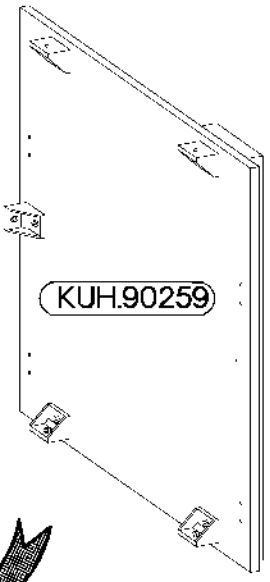
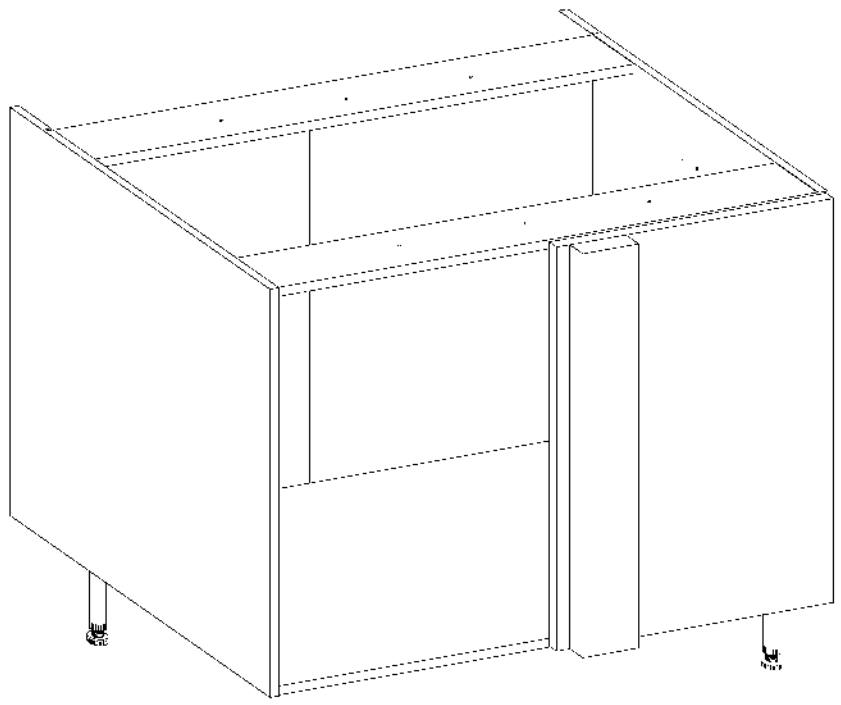
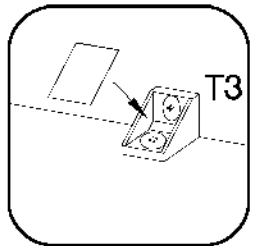
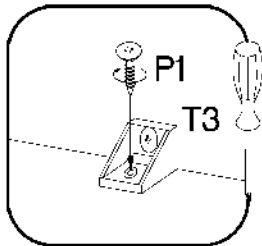
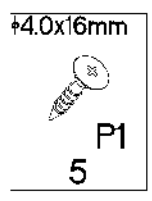
1



2



3



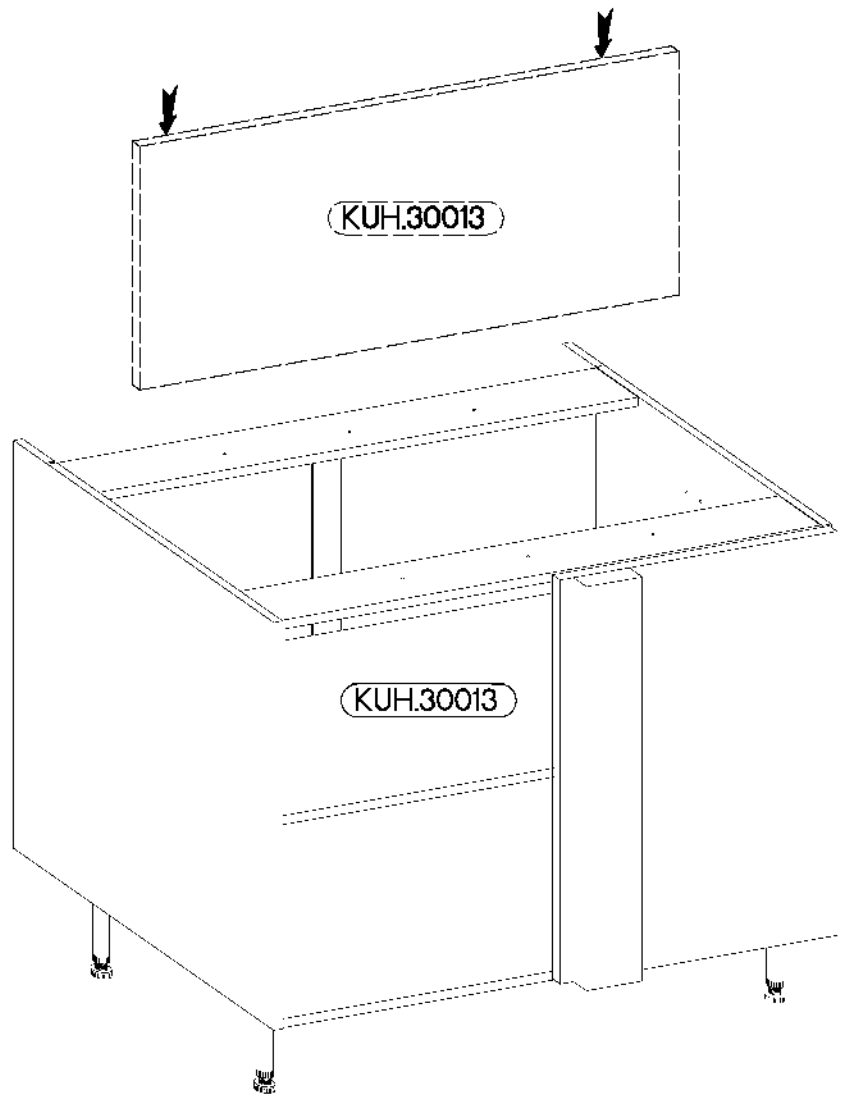
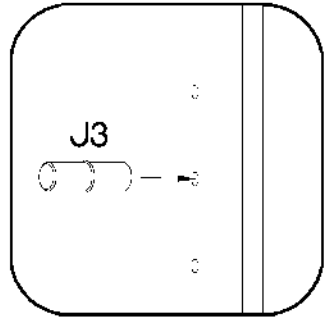
14

±5/16mm



J3

4



15

6,4 x 50mm



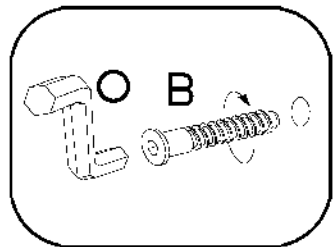
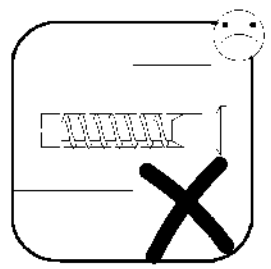
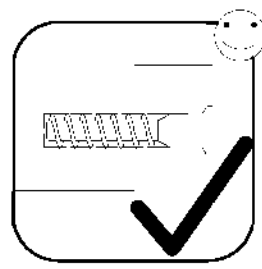
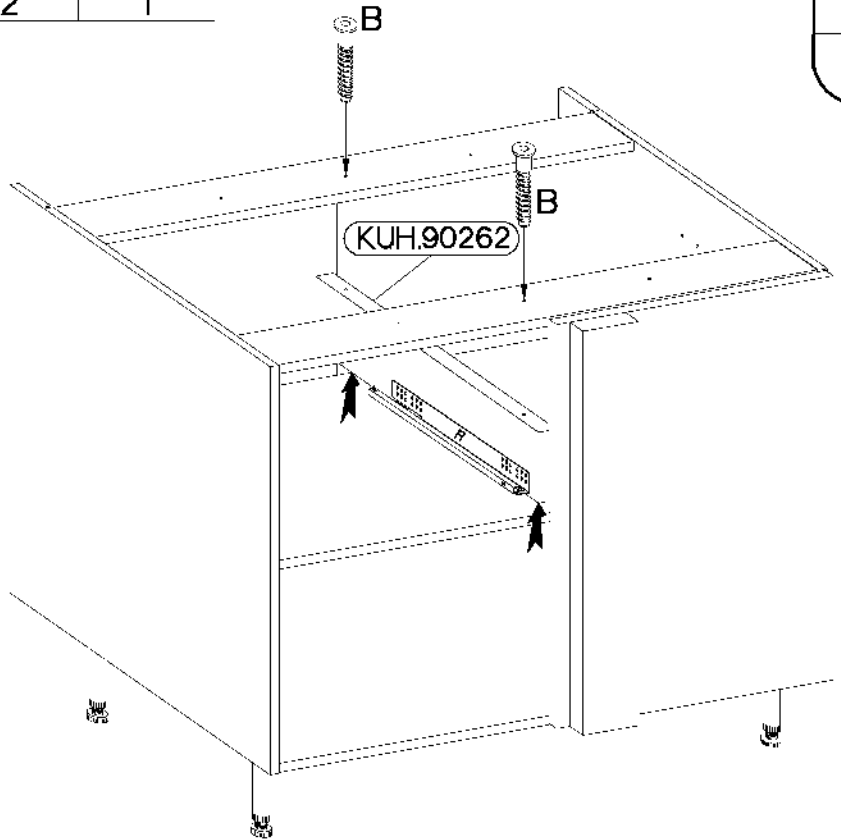
2

B



1

O



16

±4.0x35mm

±3.5x13mm



R3

4



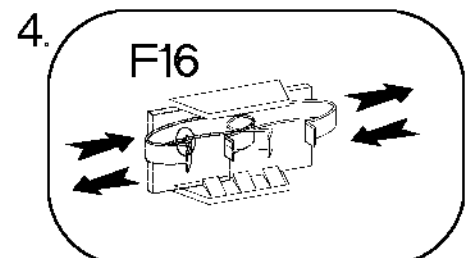
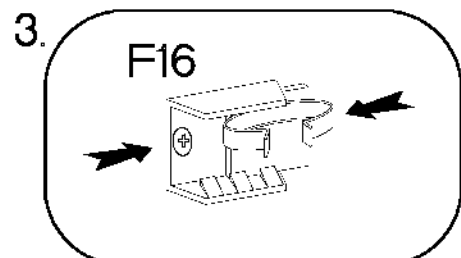
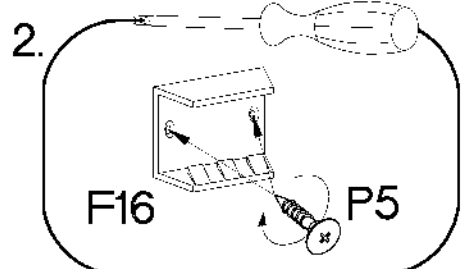
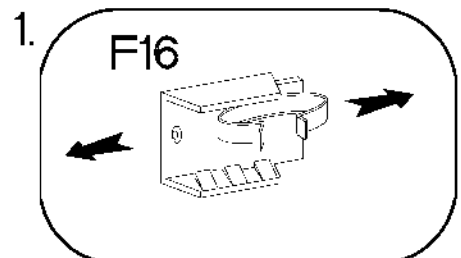
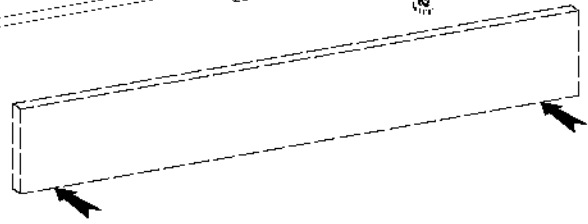
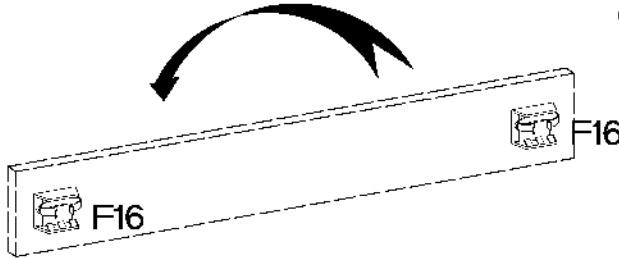
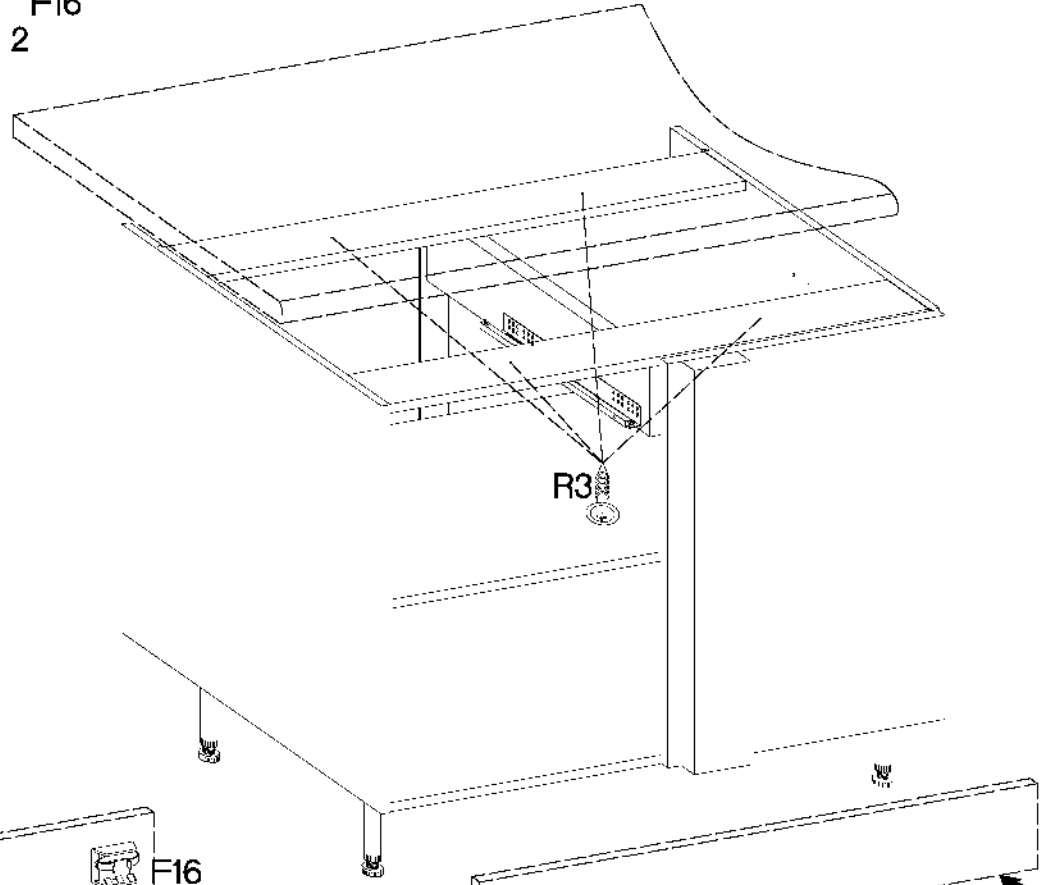
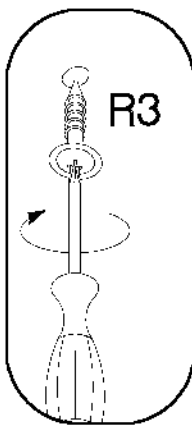
P5

4



F16

2



17

±35/90°

±3.5x13mm



HG6

2



P5

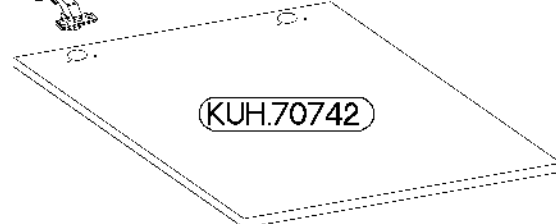
4



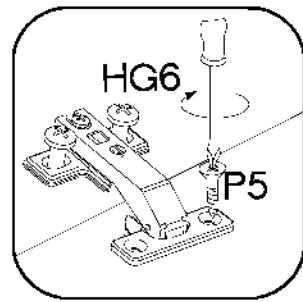
HG6





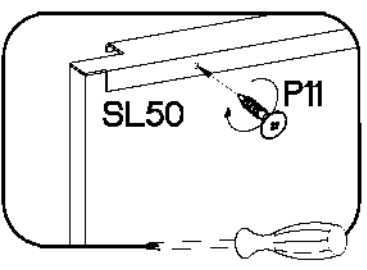
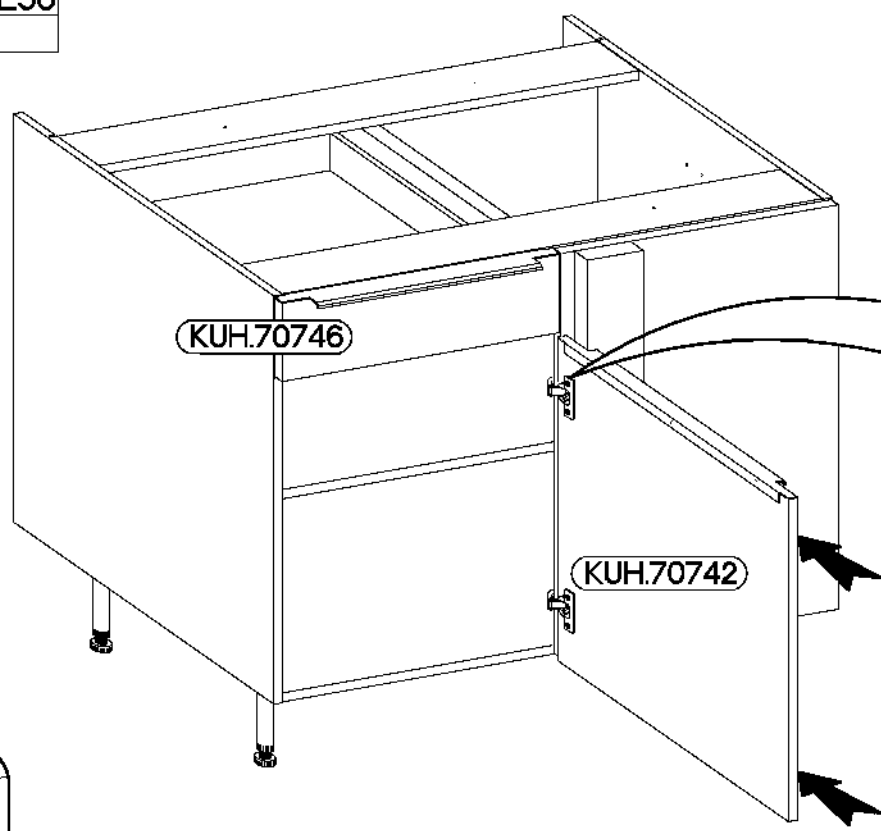
HG6



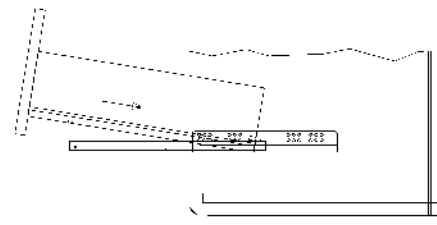
KUH.70742



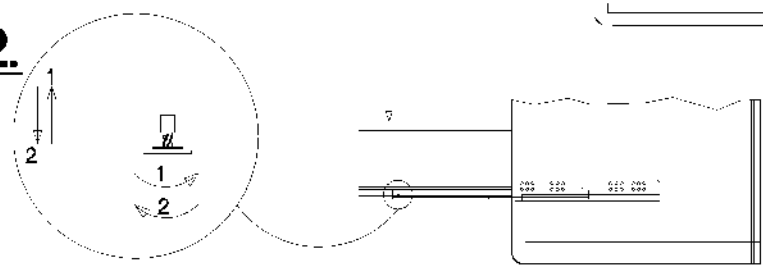
3.0x16mm	L=495mm
	
P11	SL50
6	2



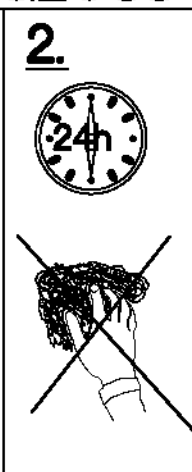
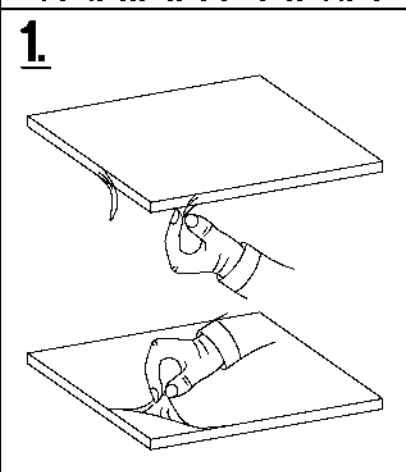
1.



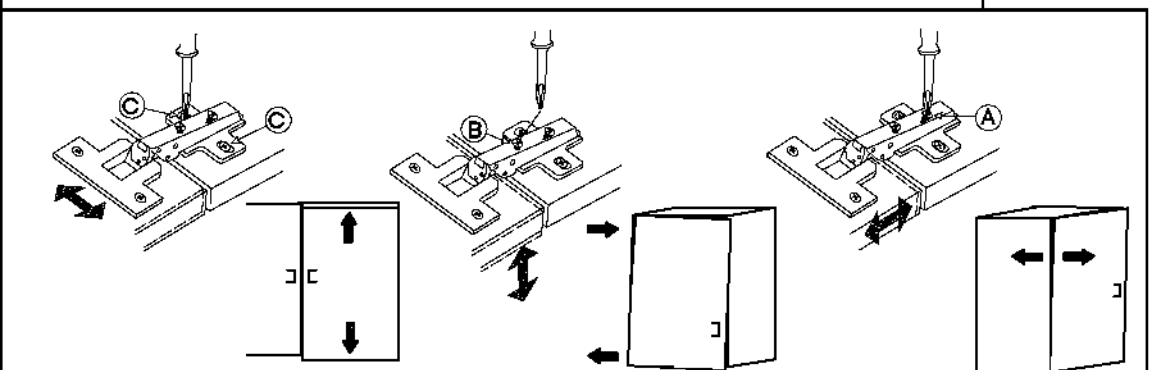
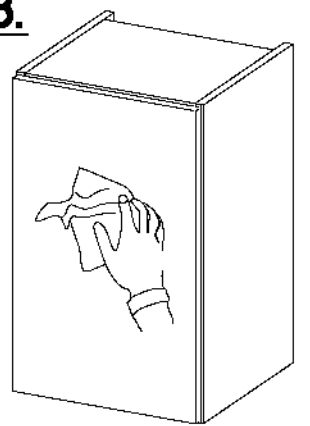
2.



VARIANT HIGH GLOSS

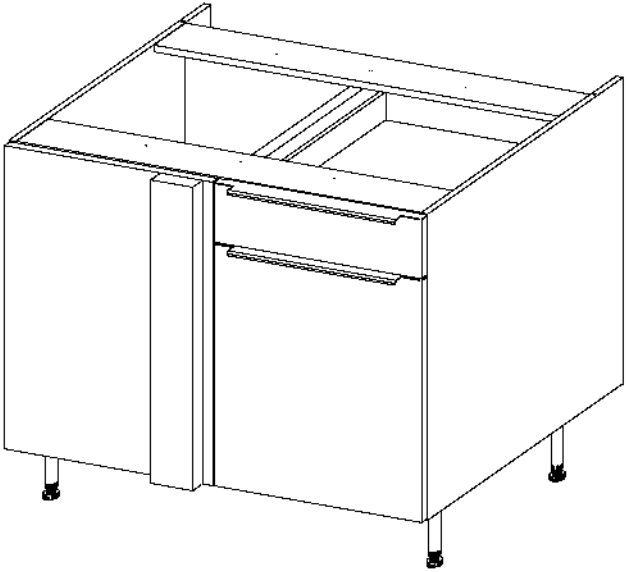
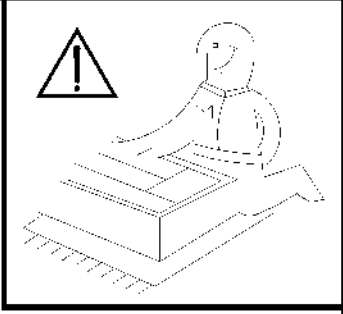


3.

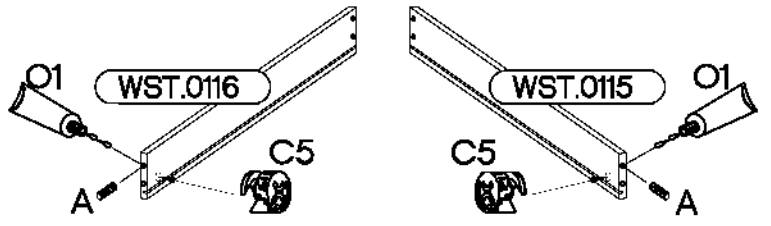
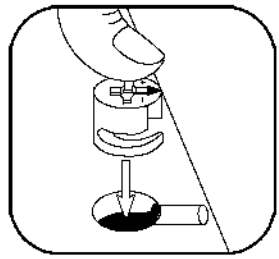
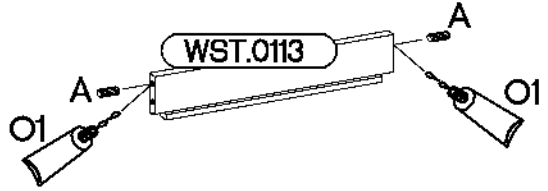


VARIANT R

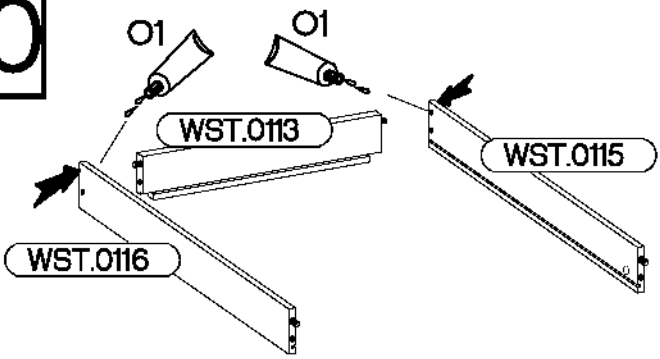
19



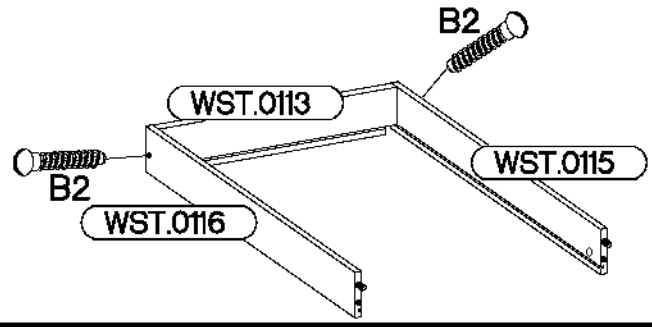
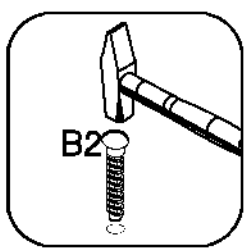
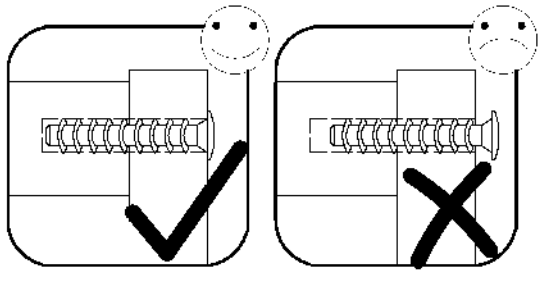
†12/10mm C5 2	†8x30mm A 4	 O1 1
--------------------------------	------------------------------	--------------------



20

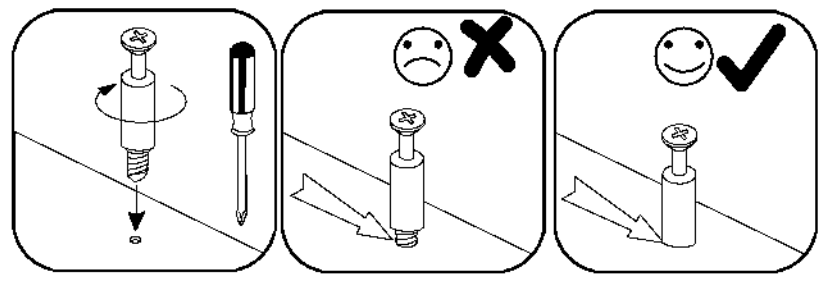
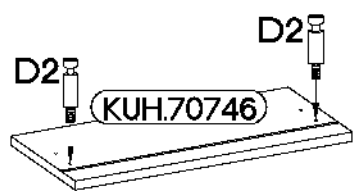


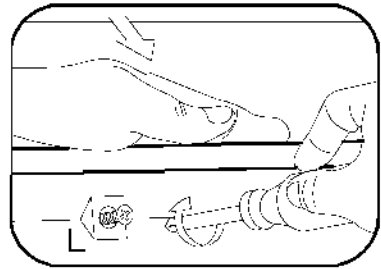
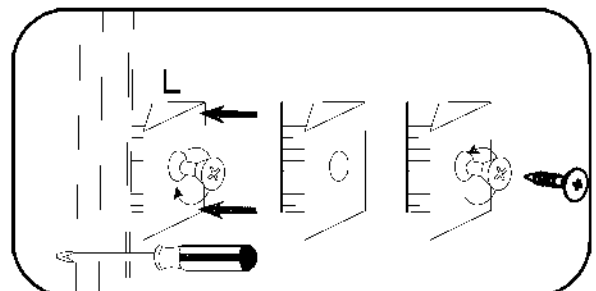
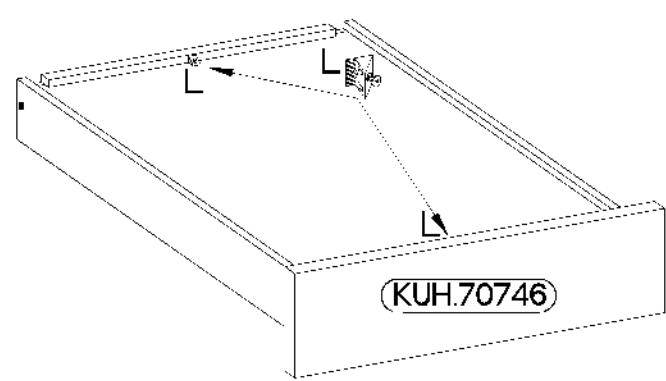
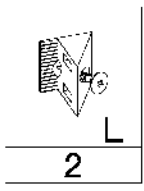
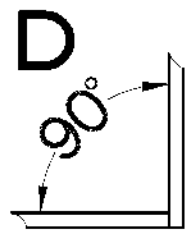
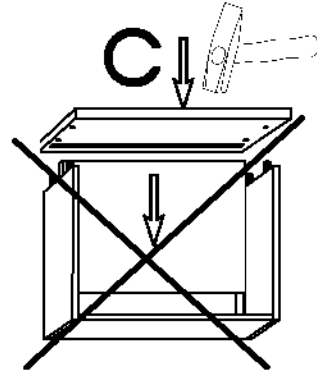
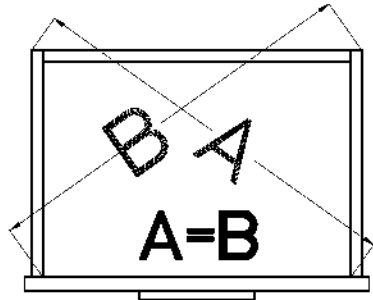
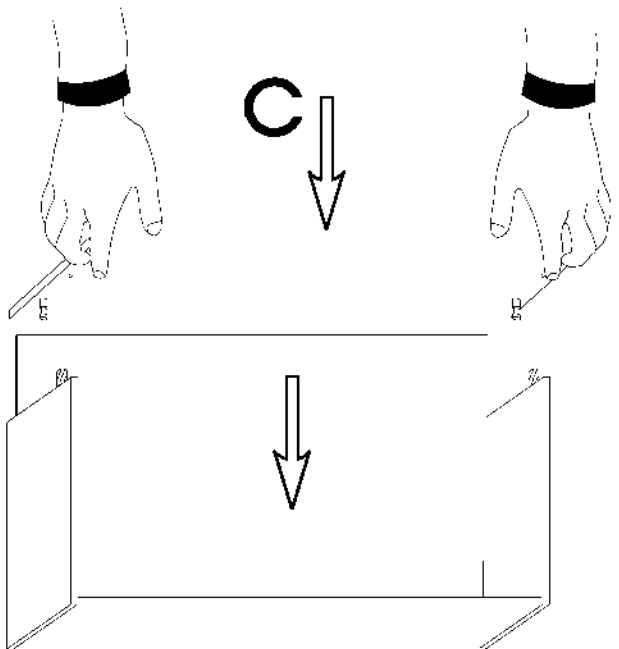
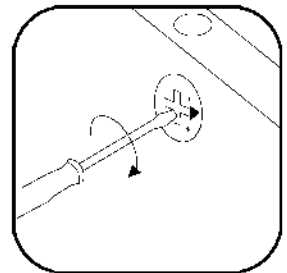
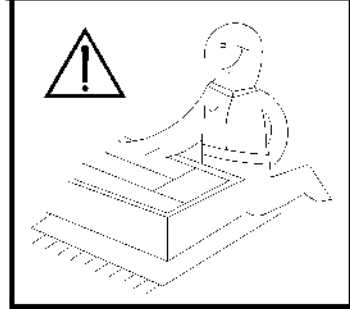
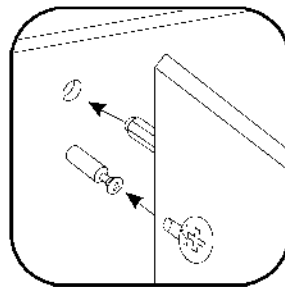
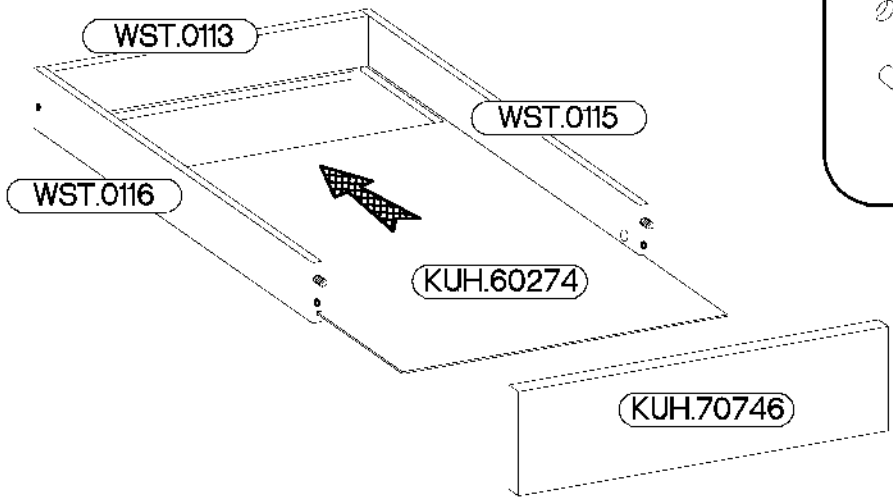
†6x42mm B2 2	 O1 1
-------------------------------	--------------------

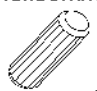



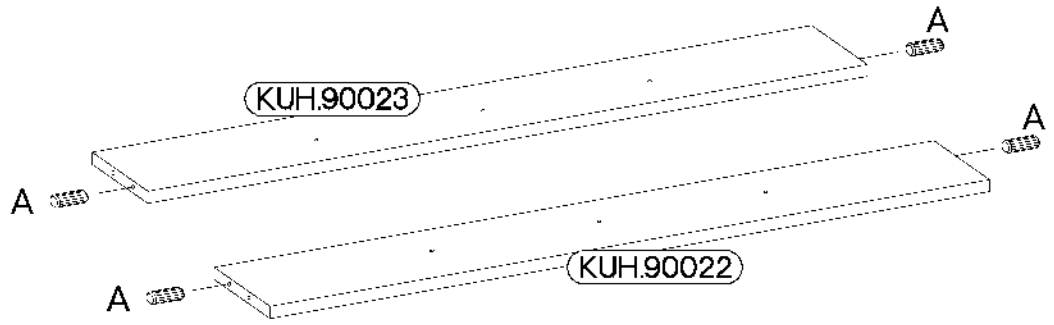
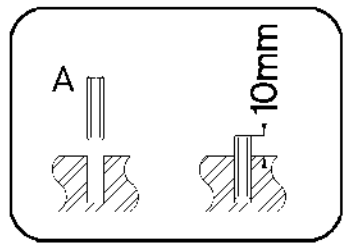
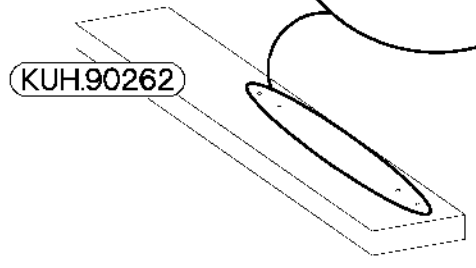
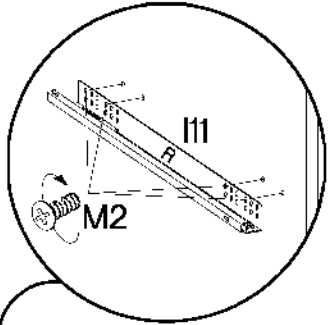
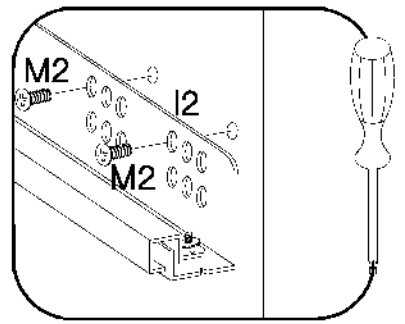
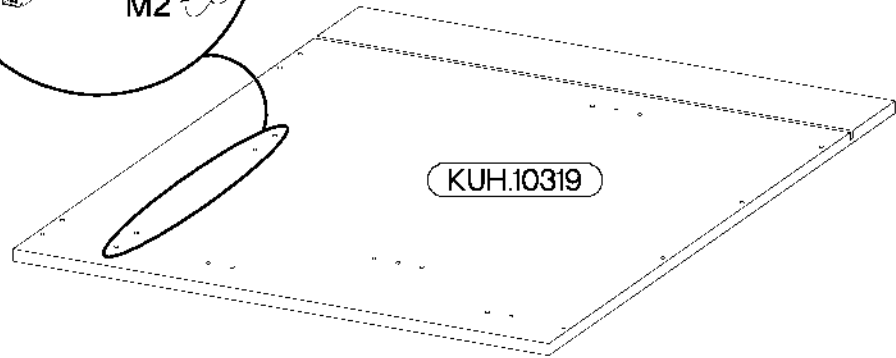
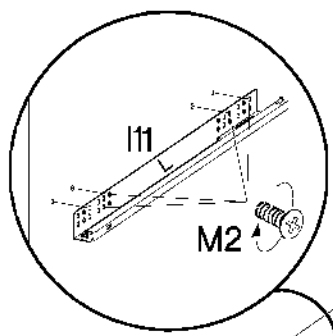
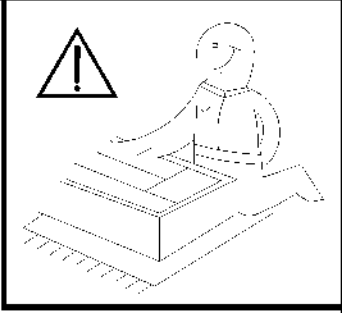
21

L=20mm D2 2





$\varnothing 8 \times 30 \text{mm}$	$\varnothing 6.3 \times 13 \text{mm}$
	
A	M2
L=450mm	
4	8



±3.5x13mm

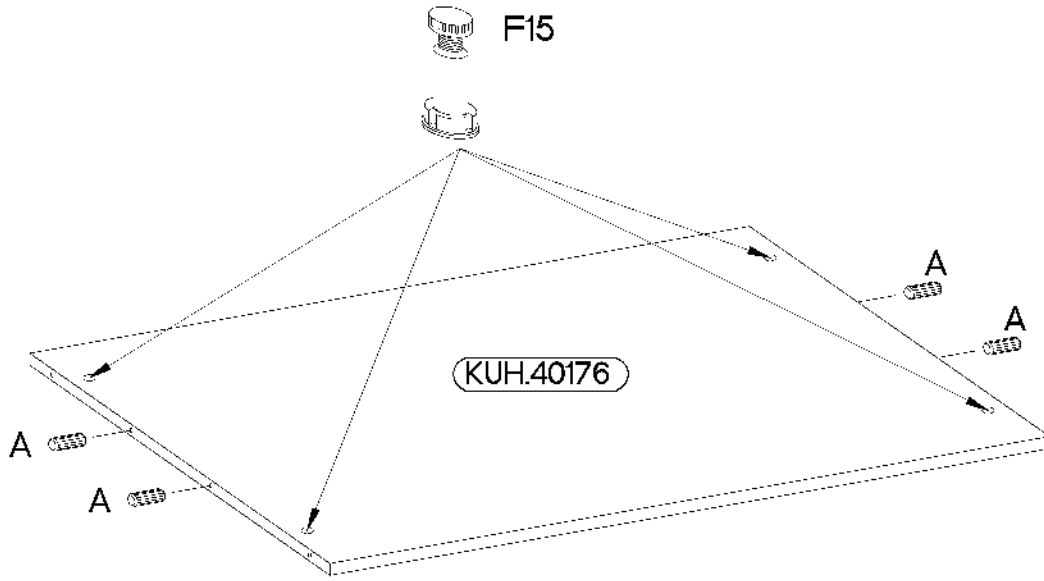
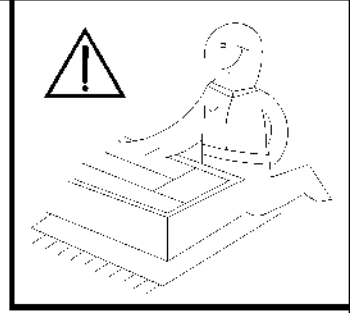


F15
4

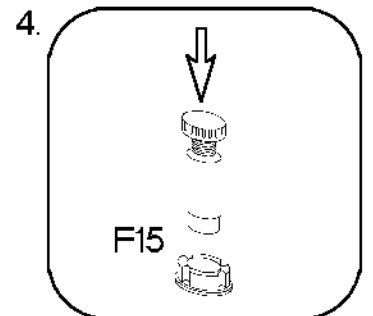
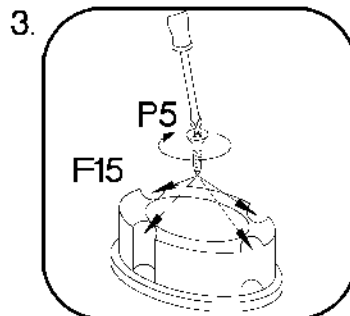
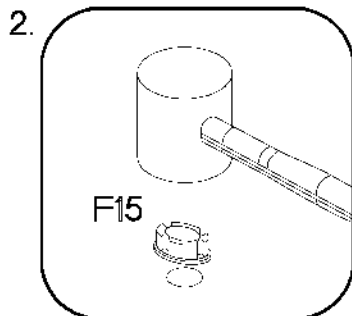
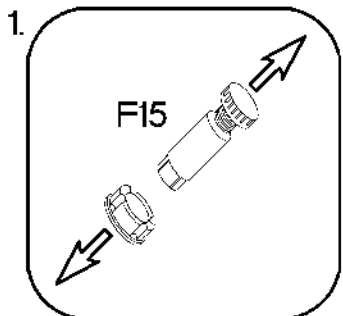
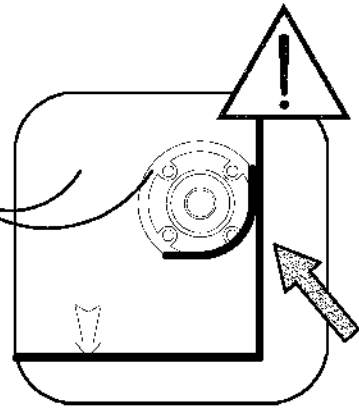
±8x30mm



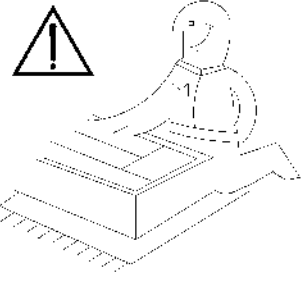
A
4


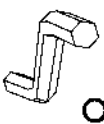



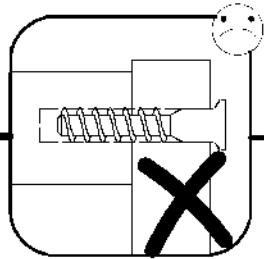
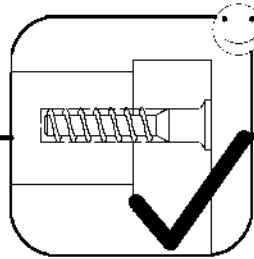
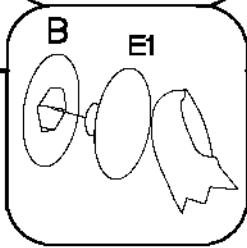
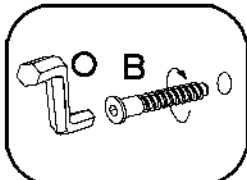
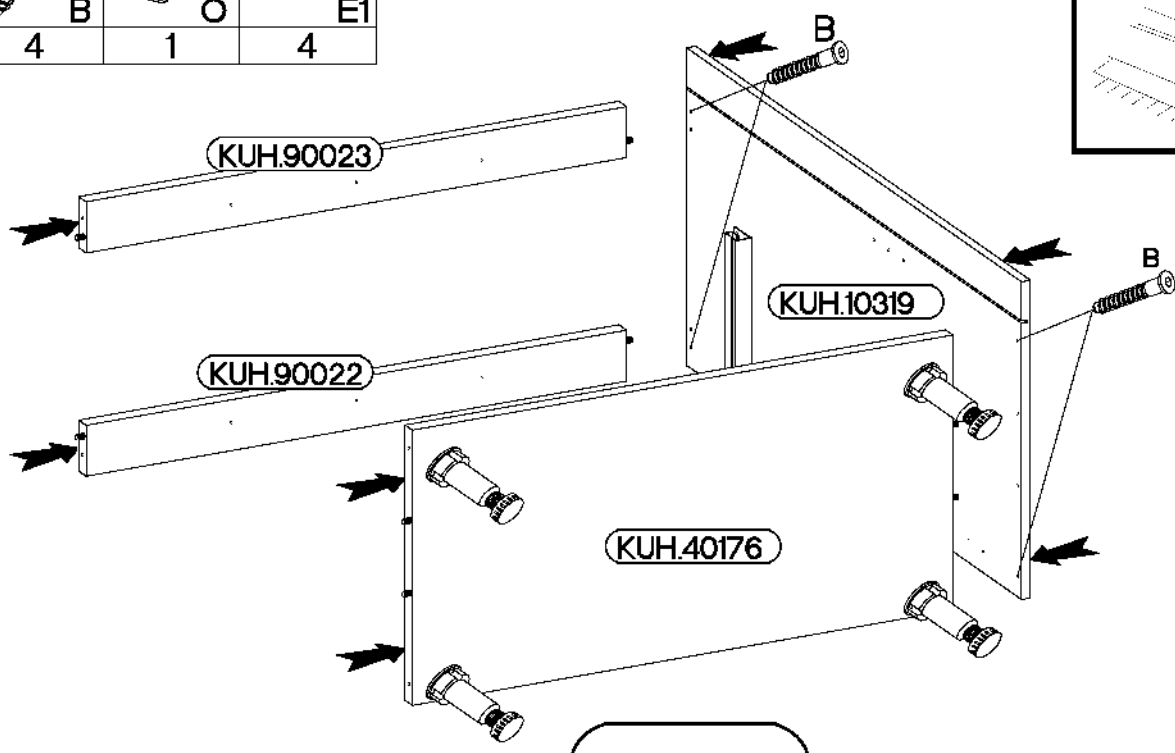
967




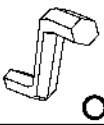

26

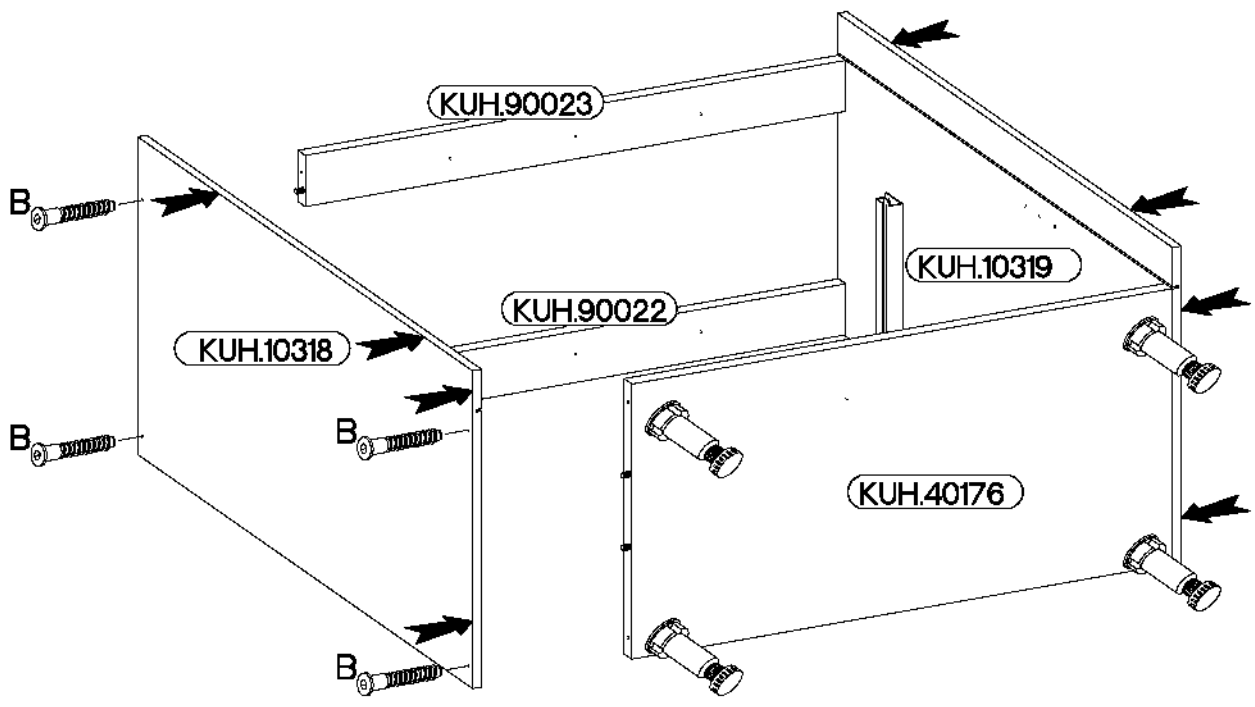


6,4 x 50mm		
		
B	O	E1
4	1	4



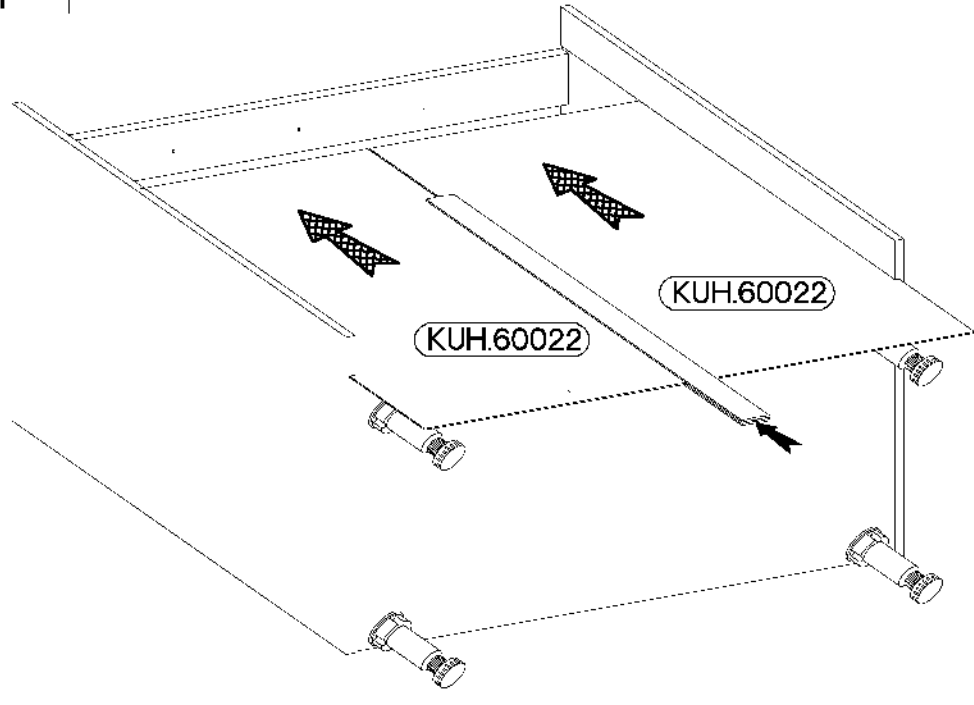
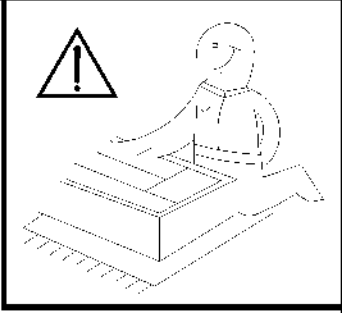
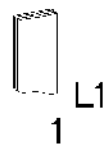
27

6,4 x 50mm		
		
B	O	E1
4	1	4



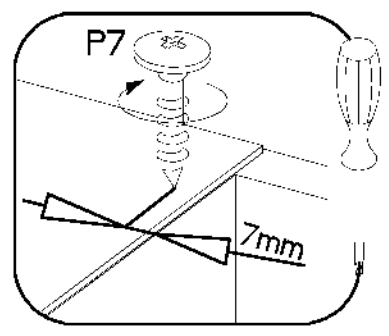
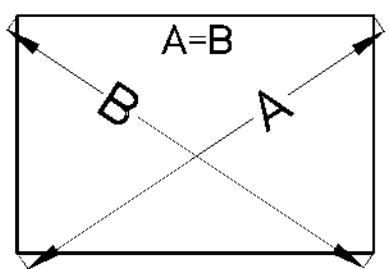
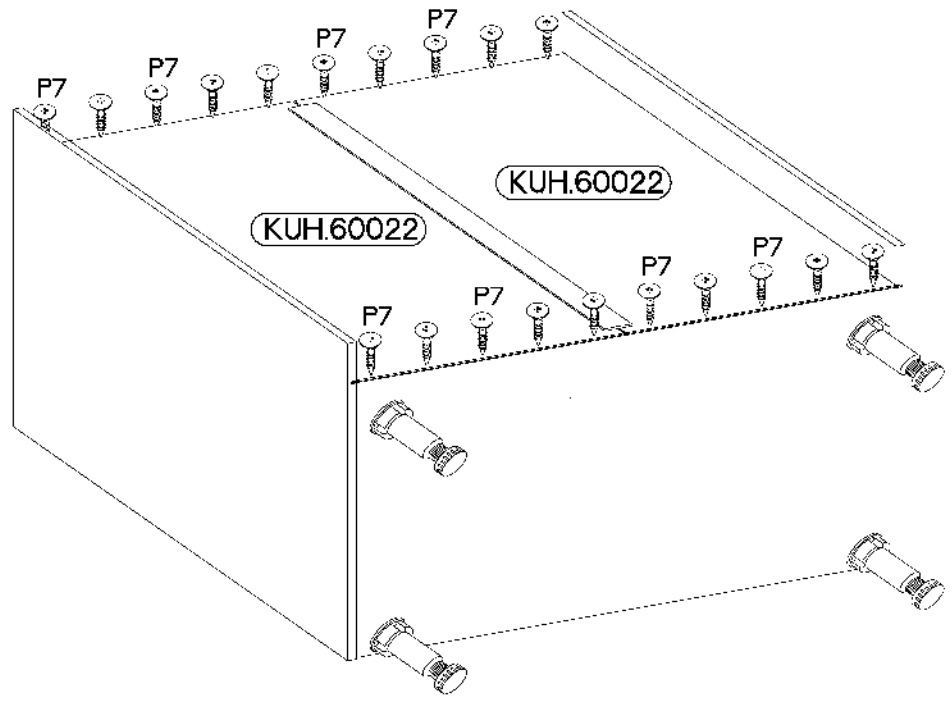
28


L=680mm

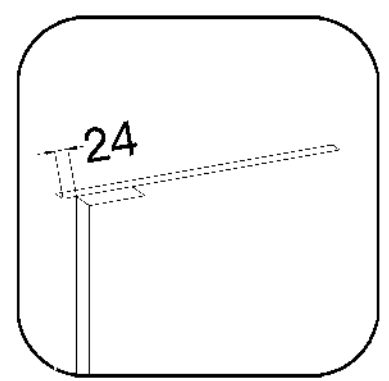
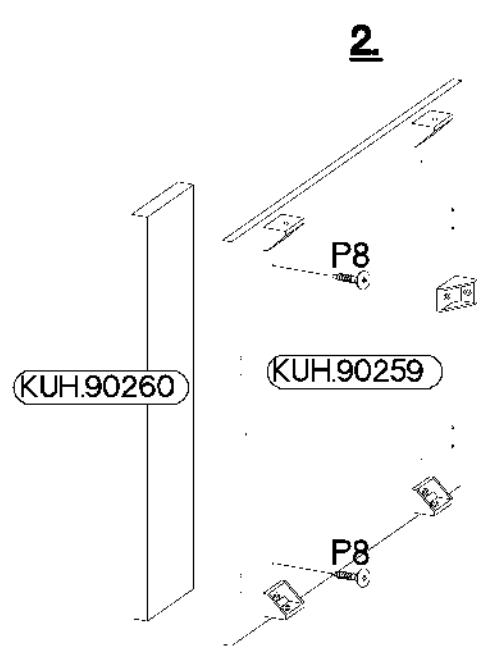
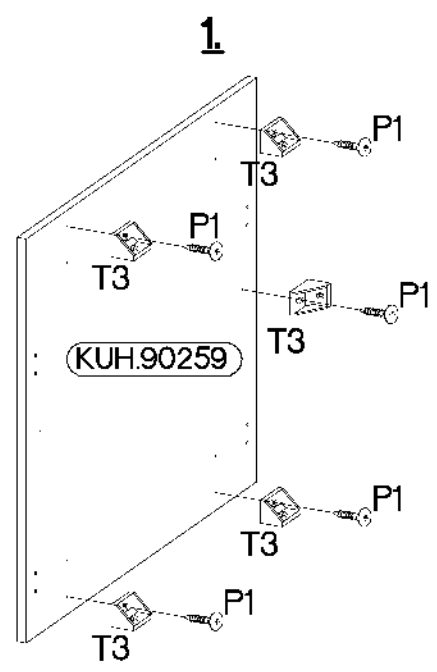
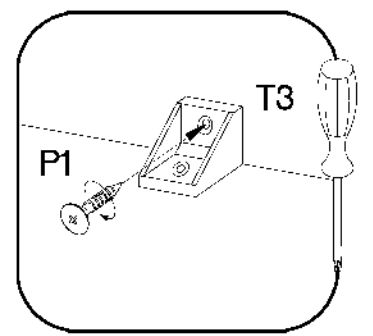



29

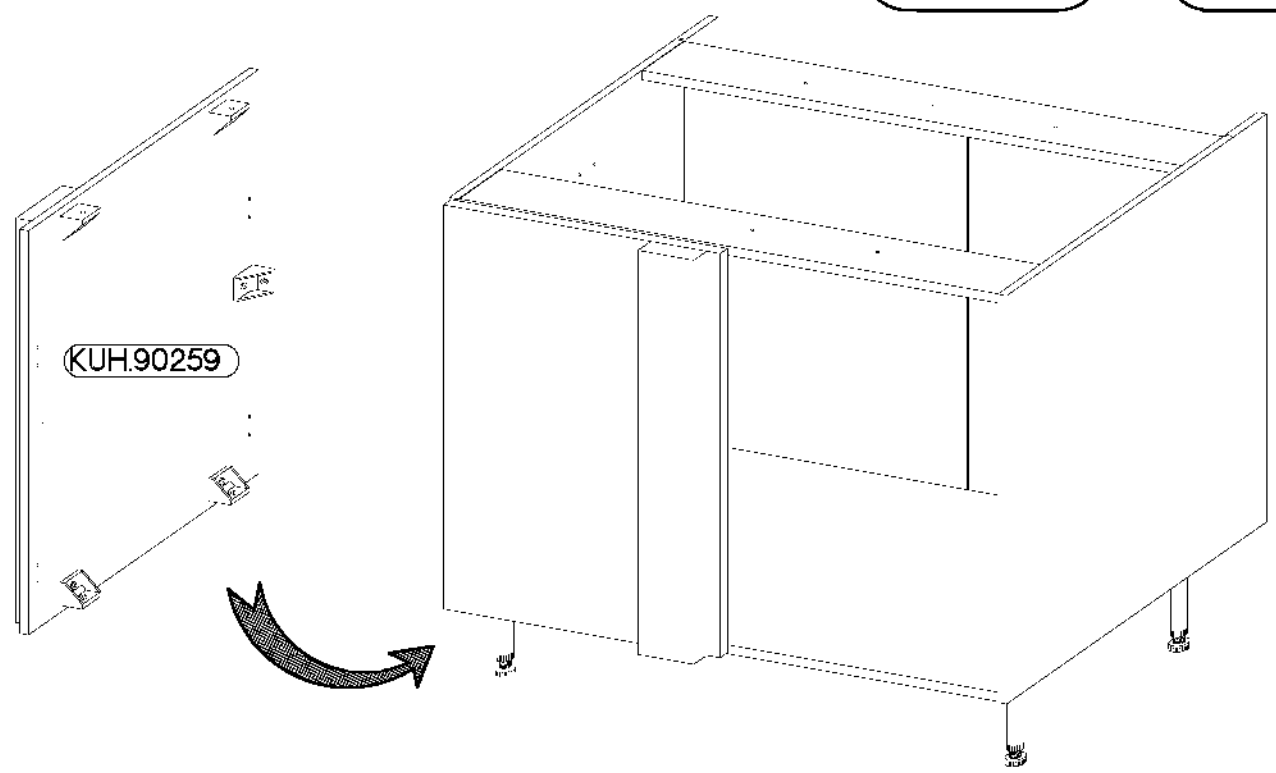
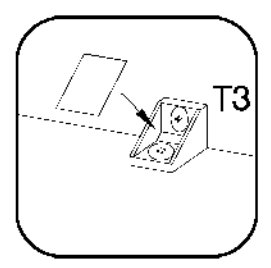
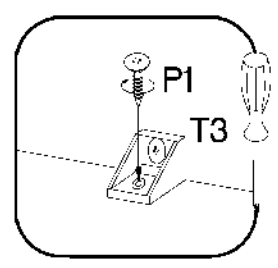
3.0x20mm



	$\pm 4.0 \times 16 \text{mm}$	$\pm 4.0 \times 30 \text{mm}$
T3	P1	P8
5	5	2



$\pm 4.0 \times 16 \text{mm}$

P1
5



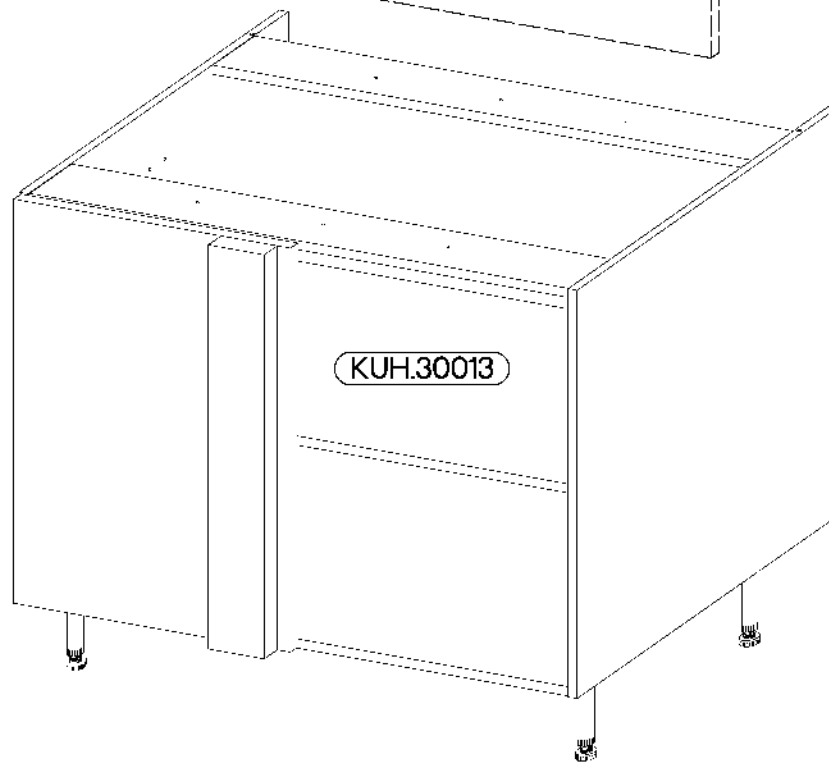
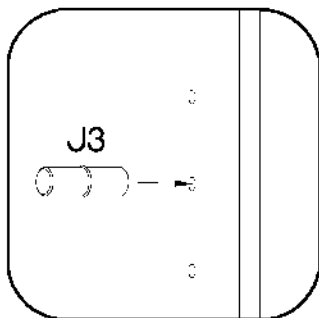
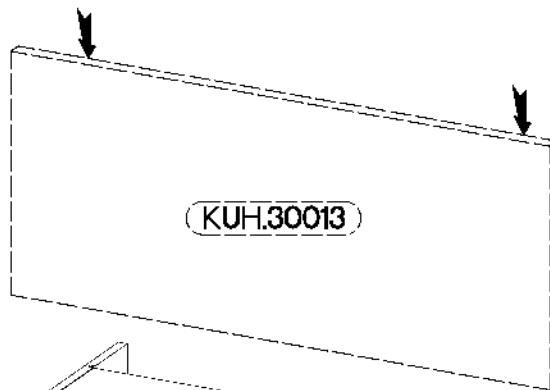
32

±5/16mm



J3

4



33

6,4 x 50mm



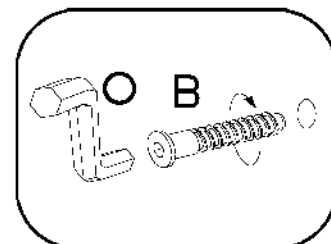
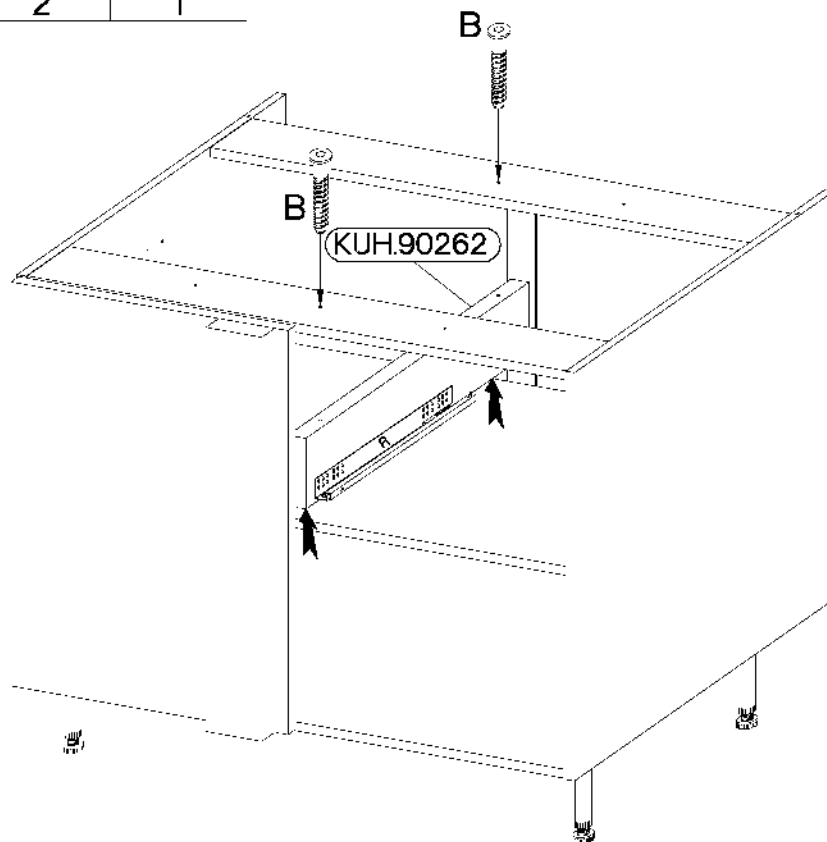
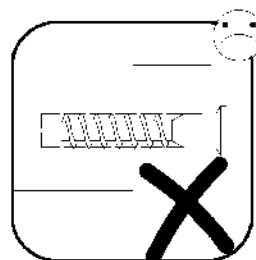
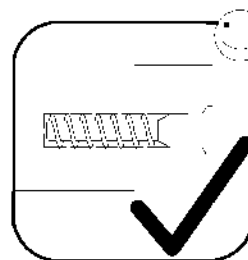
2

B



1

O



34

4.0x35mm

3.5x13mm



R3

4



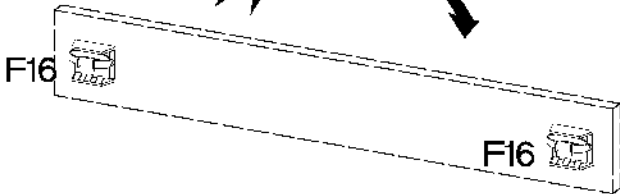
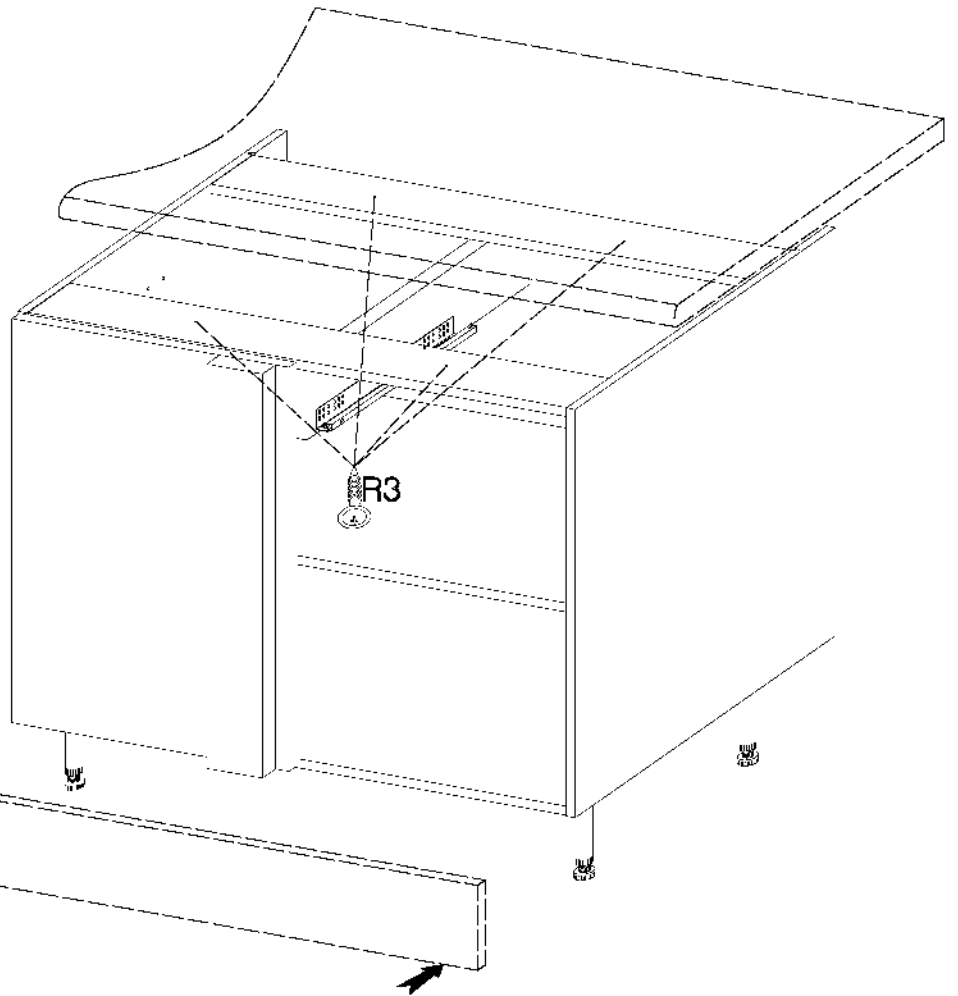
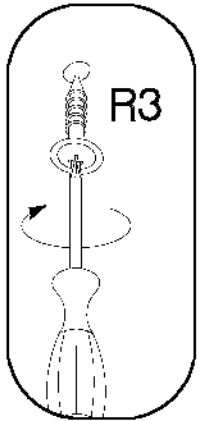
P5

4

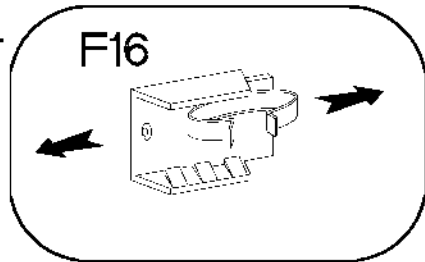


F16

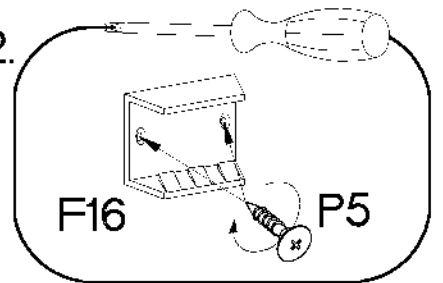
2



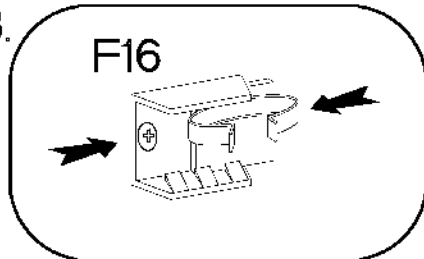
1.



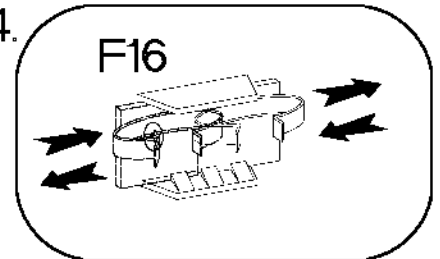
2.



3.



4.



35

35/90°

3.5x13mm



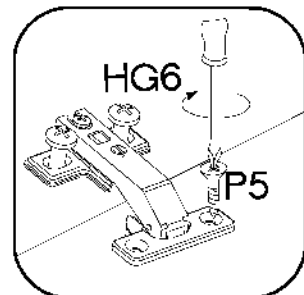
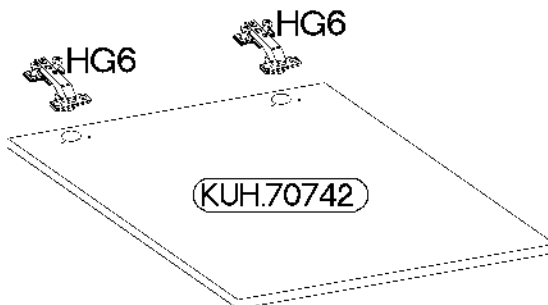
HG6



2

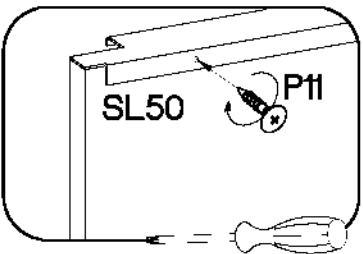
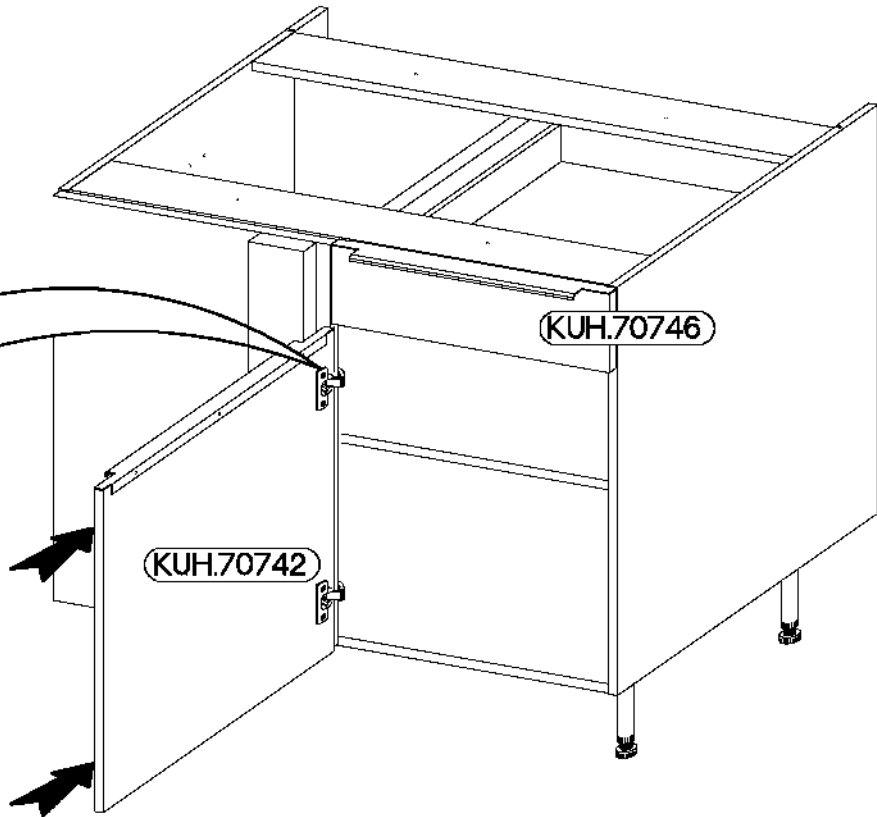
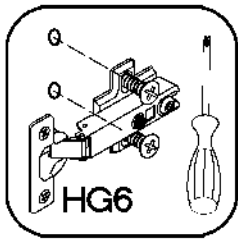


P5

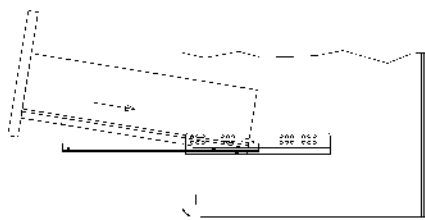
4



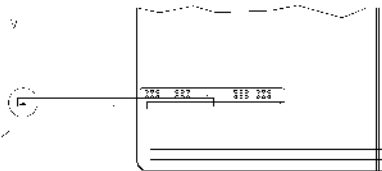
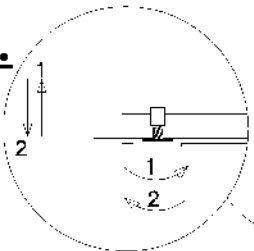
 P11 6	 SL50 2
--	---



1.

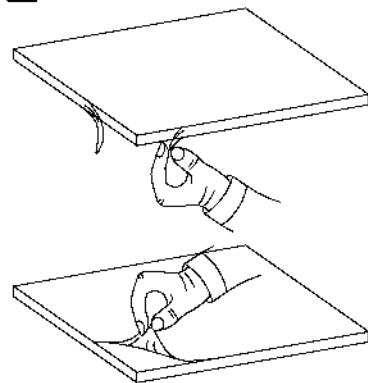


2.

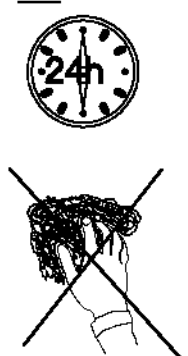


VARIANT HIGH GLOSS

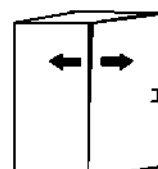
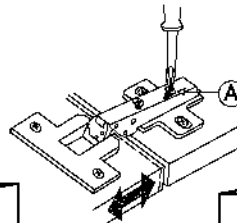
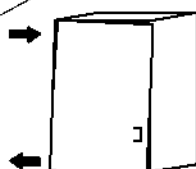
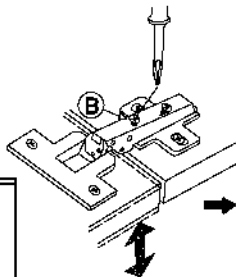
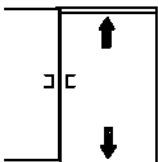
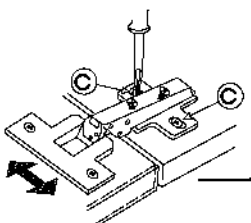
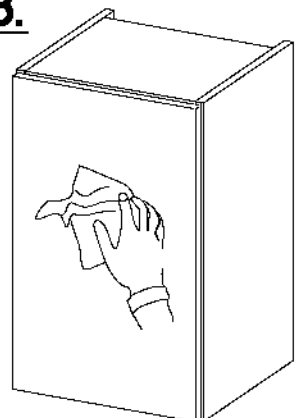
1.

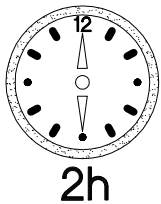
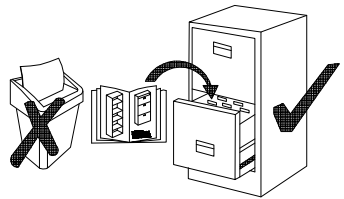
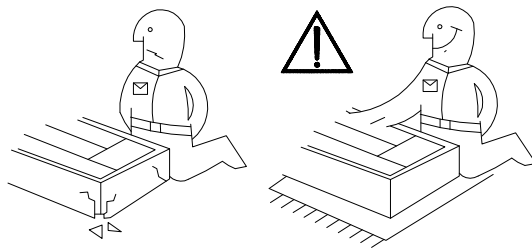
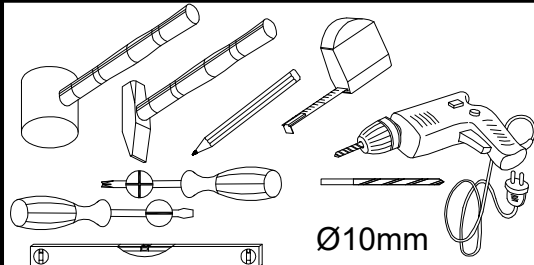
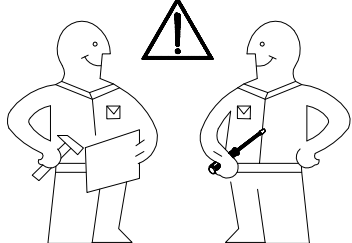


2.



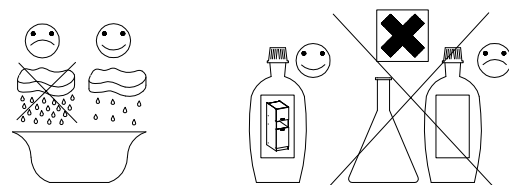
3.



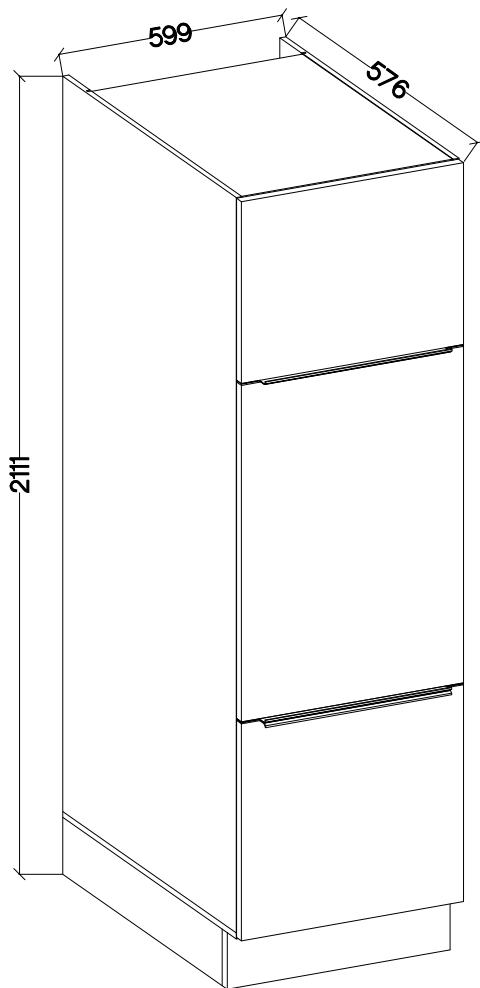


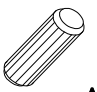
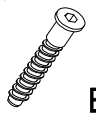

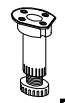

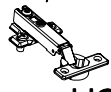
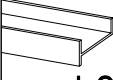
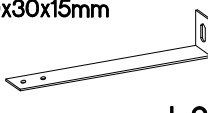





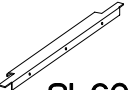
SAFADO / MARLEEN

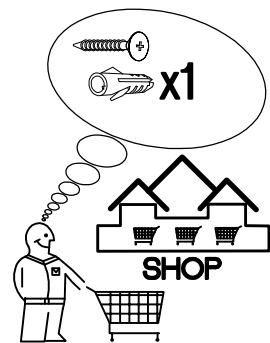
73-155-...
73-15E-...
73-15F-...



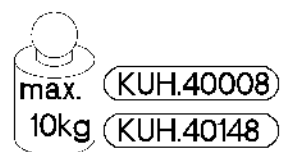
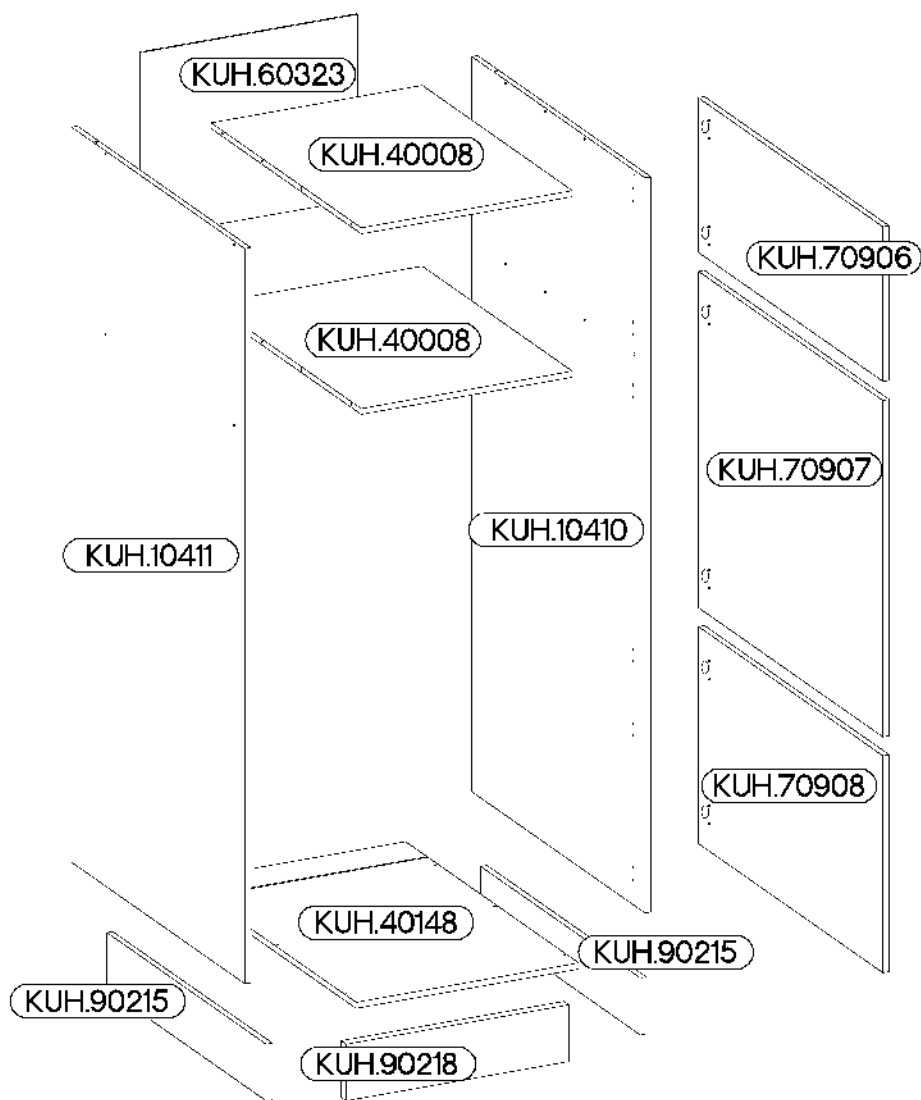
respekta®



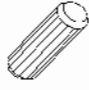


 A 8	 B 14	 E1 8	 F15 4	 F16 6	 HG 6	 L35 1	
 L25 1		 O 1	 P5 42	 P7 8-10	 P11 12	 R 4	 SL60 3

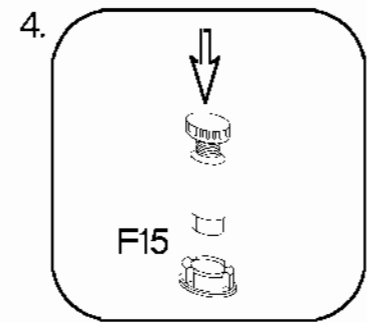
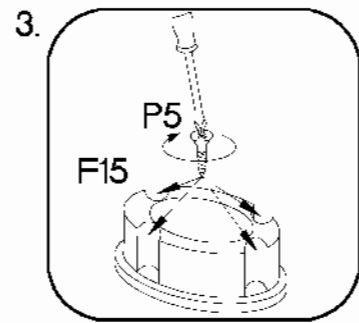
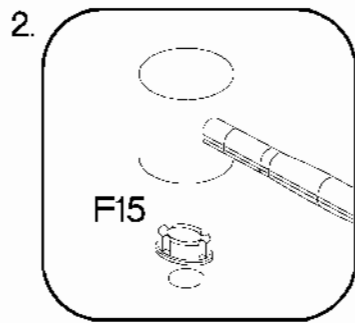
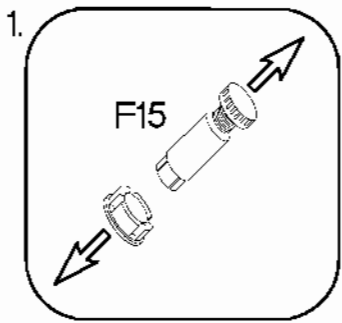
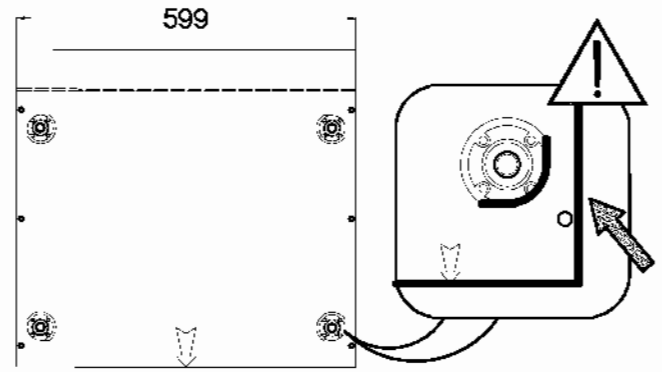
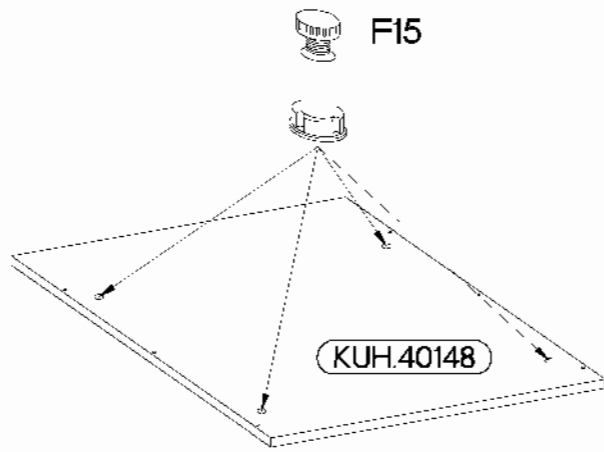
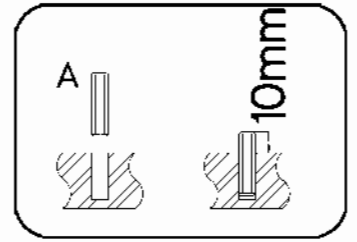
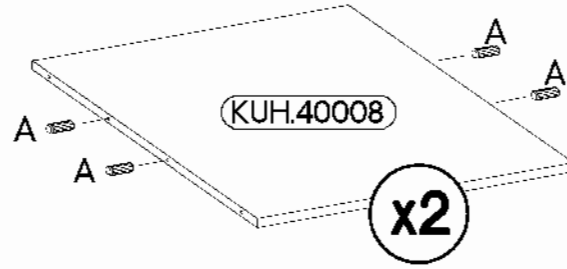
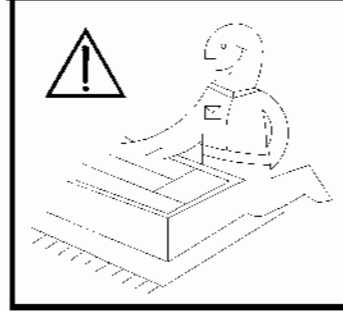


ISM-KUH-01594



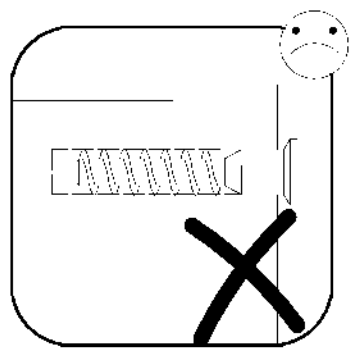
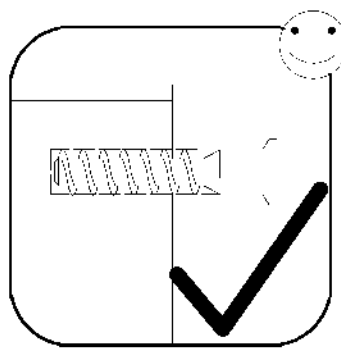
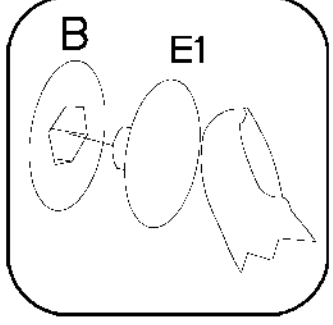
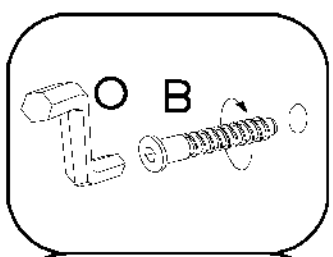
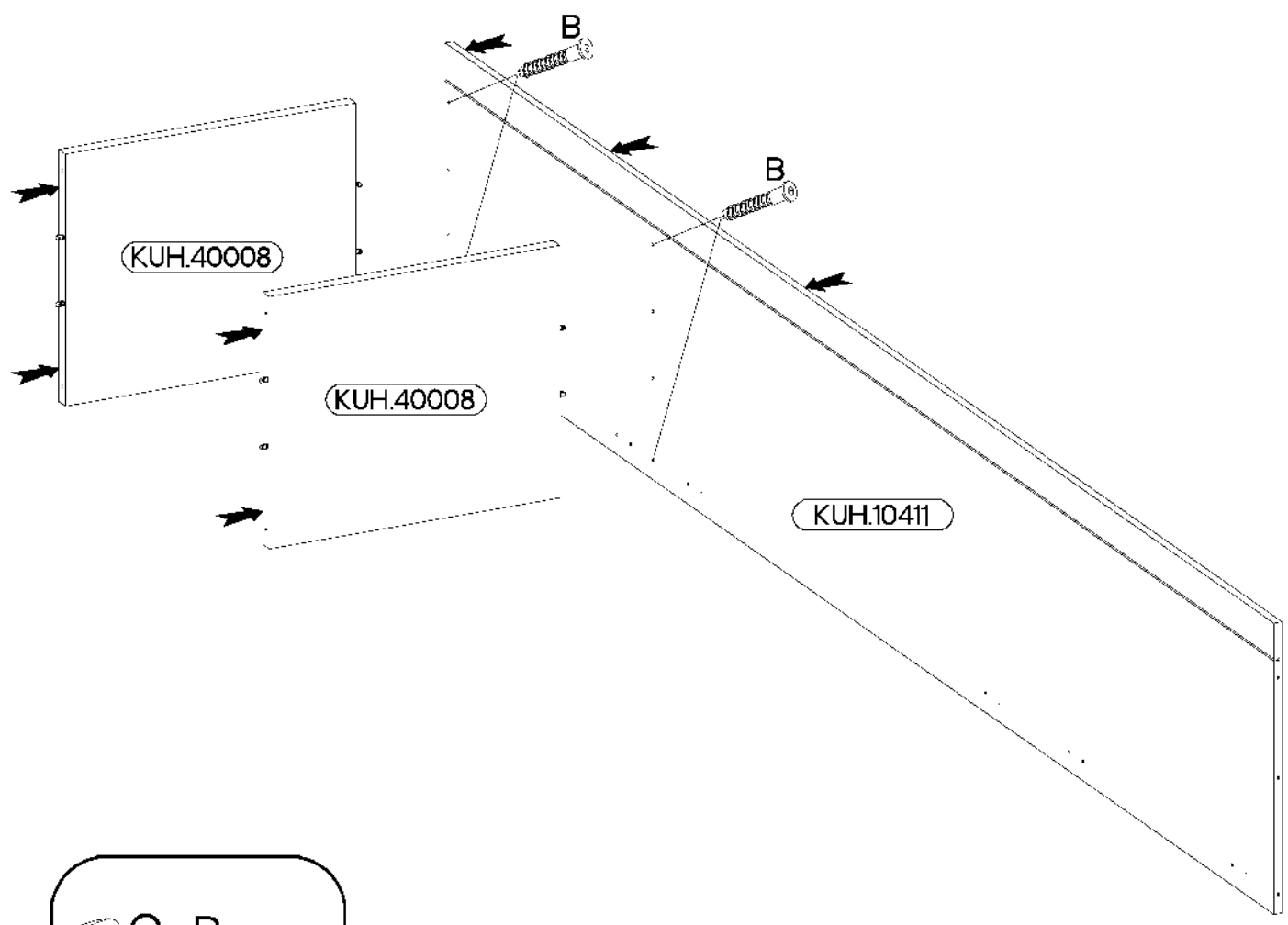
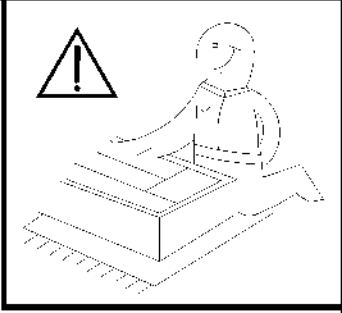
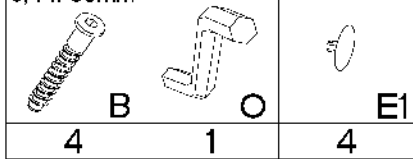
Colli	Spare Part	Dimension
Colli 1/2	KUH.40008 x2	567x485x16
	KUH.40148	599x560x16
	KUH.60323	490x585x2,5
	KUH.70906	481x596x16
	KUH.70907	890x596x16
	KUH.70908	574x596x16
	KUH.90215 x2	515x150x16
	KUH.90218	599x150x16
Colli 2/2	KUH.10410	1945x560x16
	KUH.10411	1945x560x16

$\pm 8 \times 30 \text{mm}$  A 8	$\pm 3.5 \times 13 \text{mm}$  P5 16	 F15 4
---	---	--


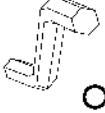



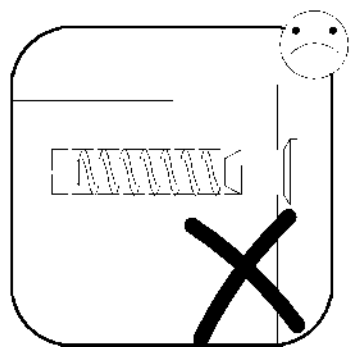
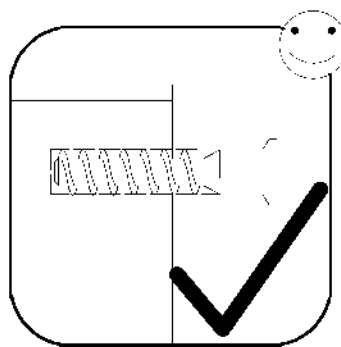
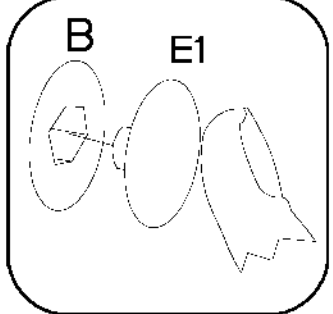
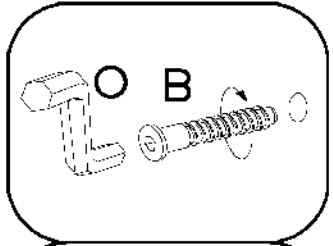
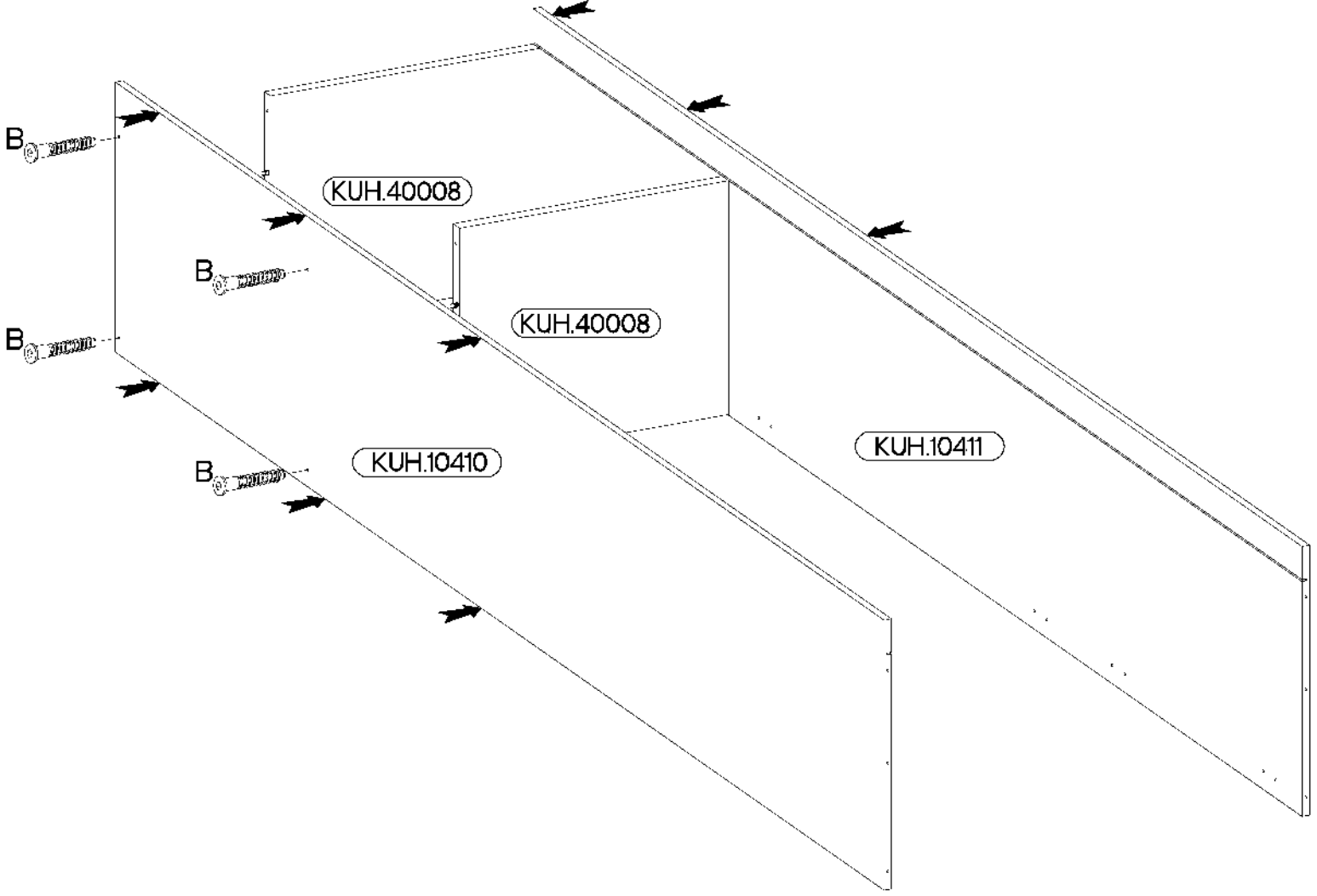
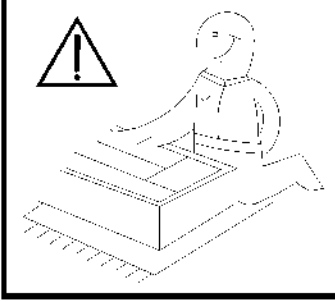
2

6,4 x 50mm



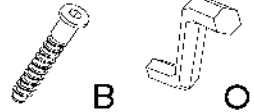
6,4 x 50mm

		
B	O	E1
4	1	4

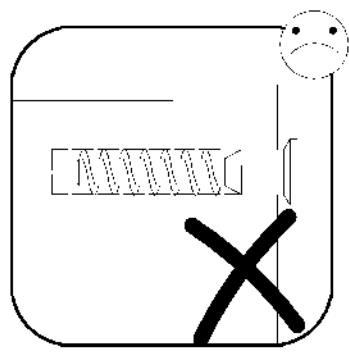
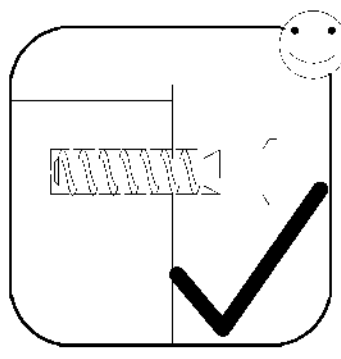
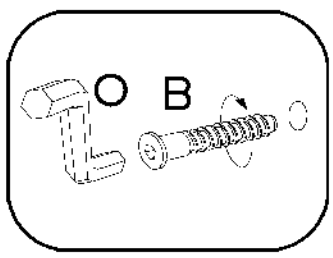
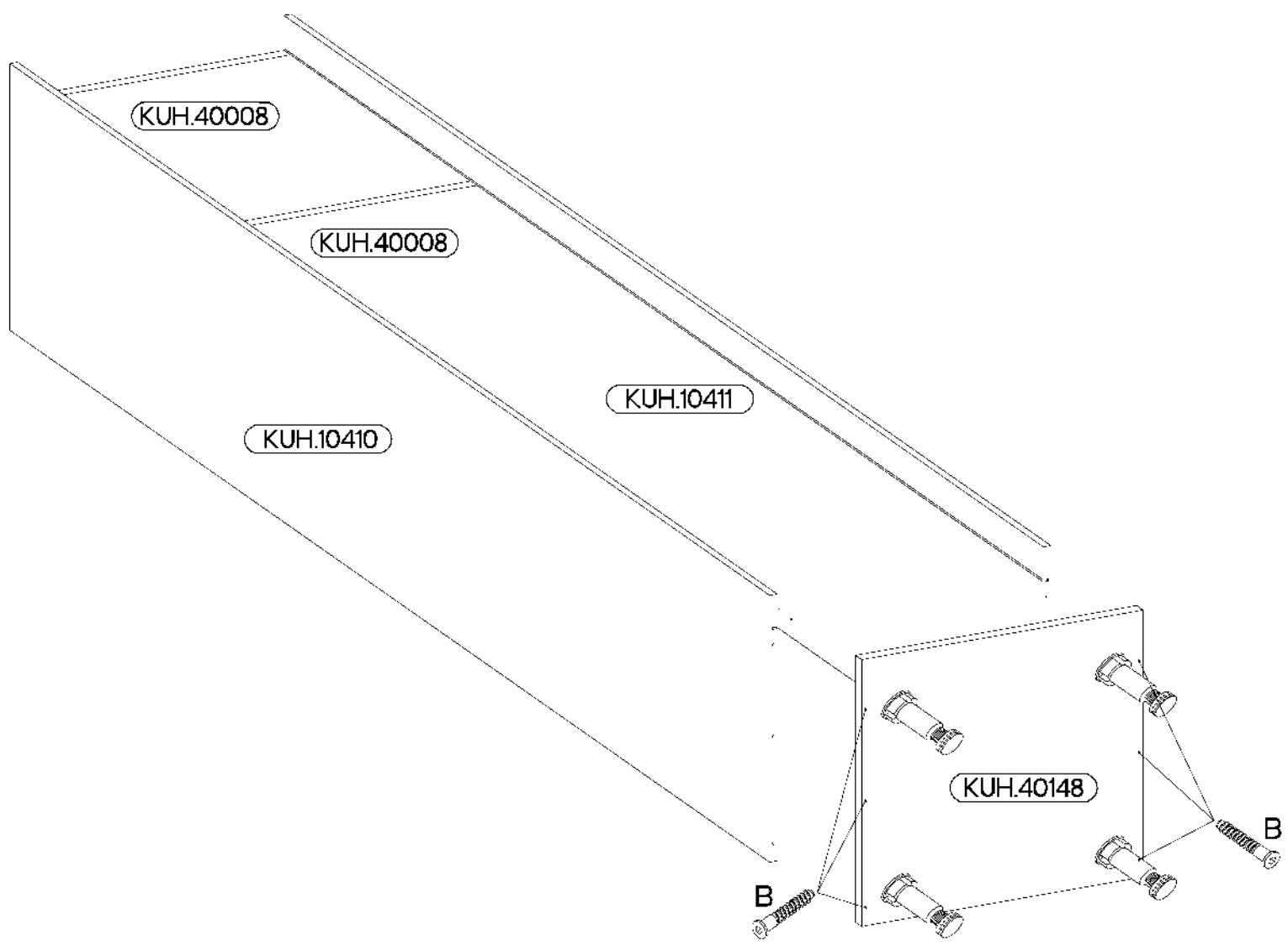
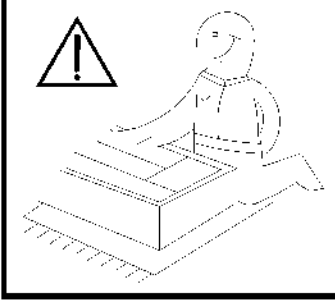


4

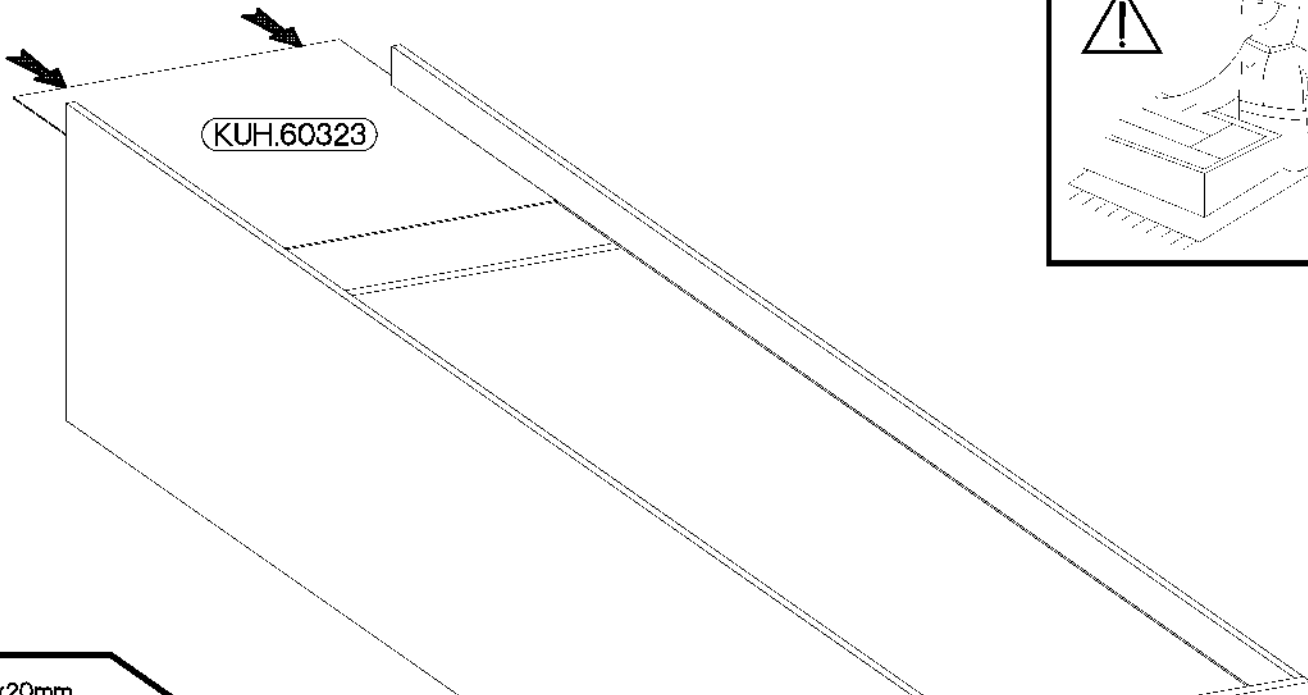
6,4 x 50mm



6 B 1 O



5



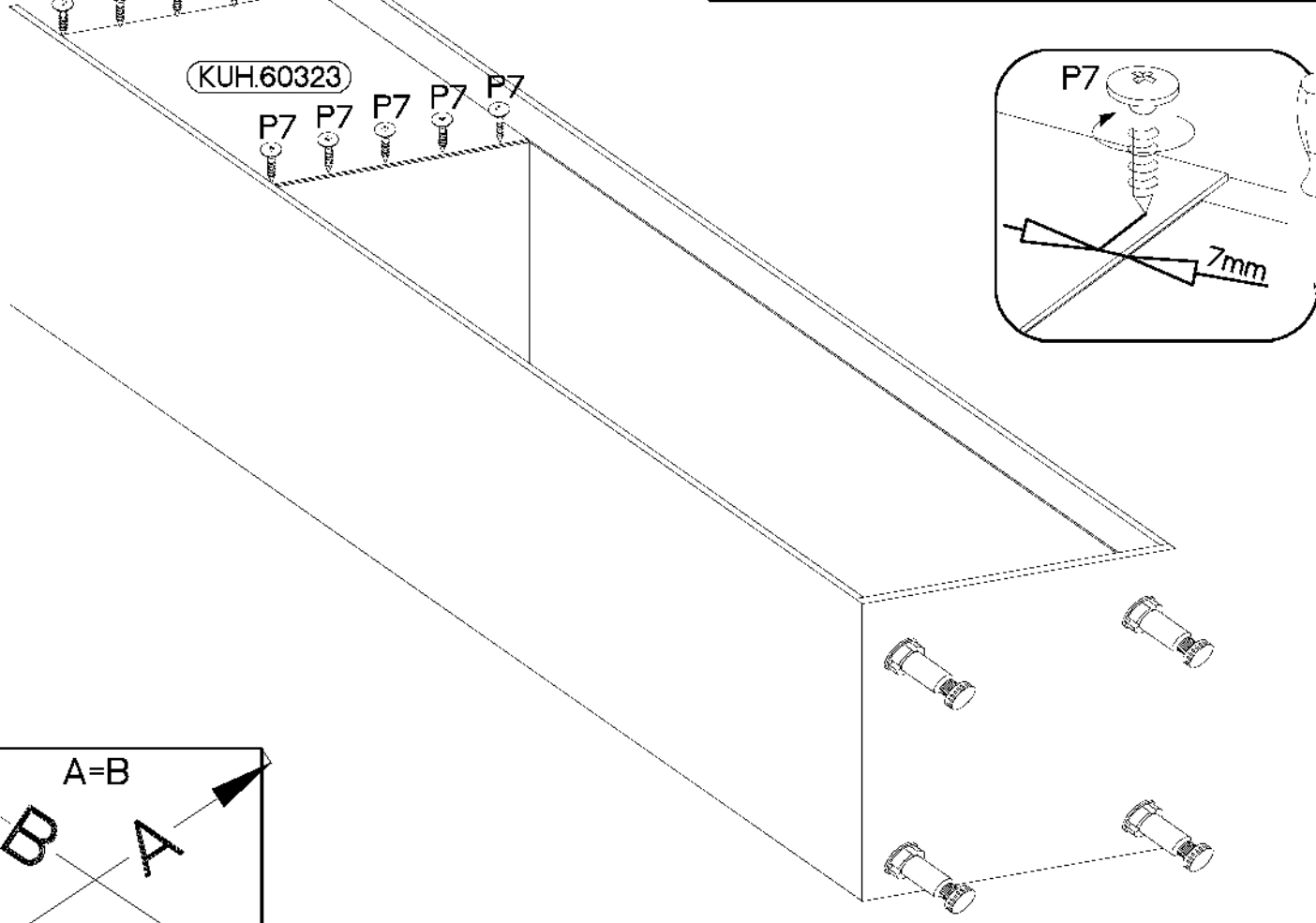
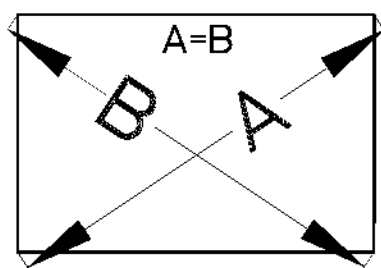
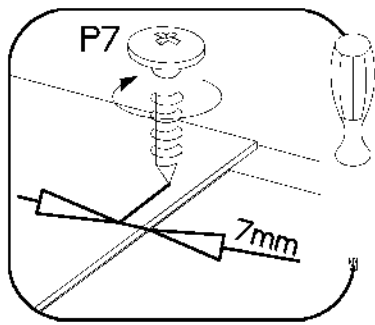
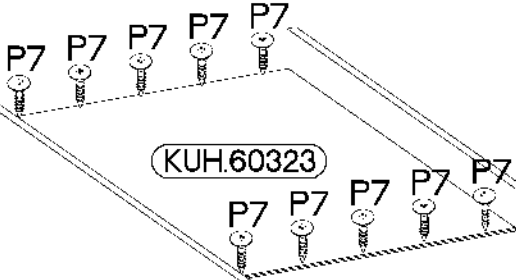
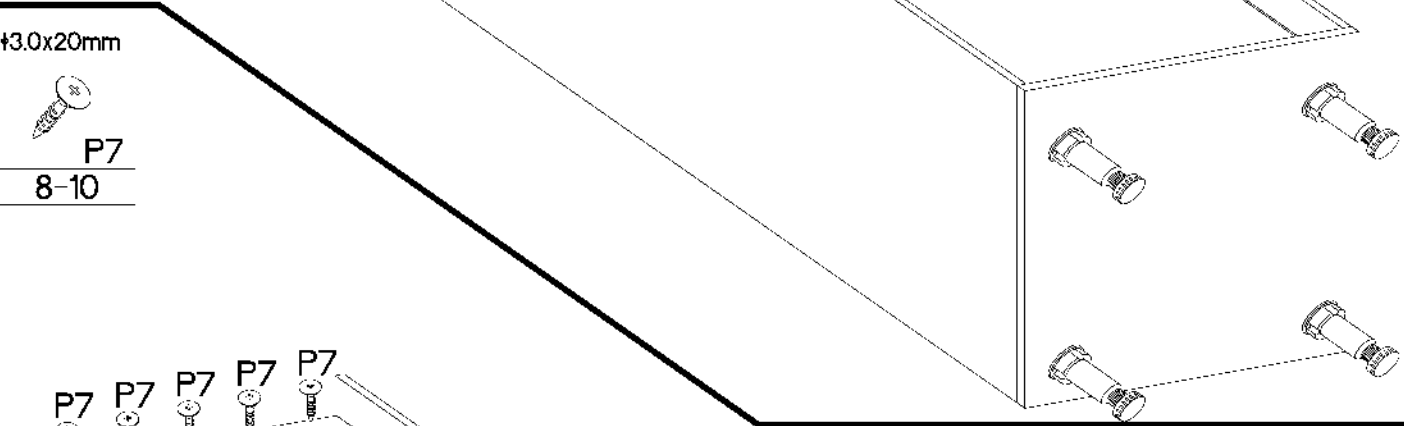
6

φ3.0x20mm



P7

8-10



+3.5x13mm

L=600mm



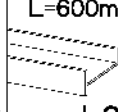
P5

12



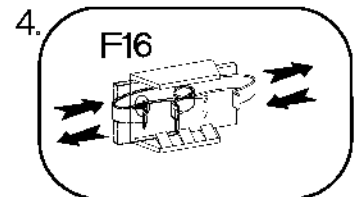
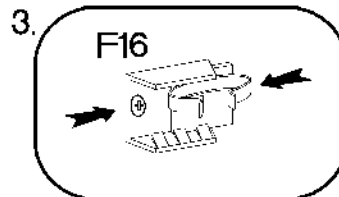
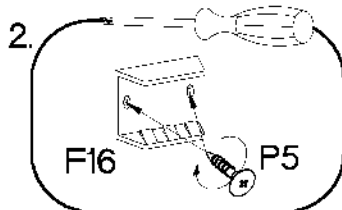
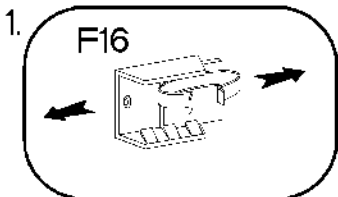
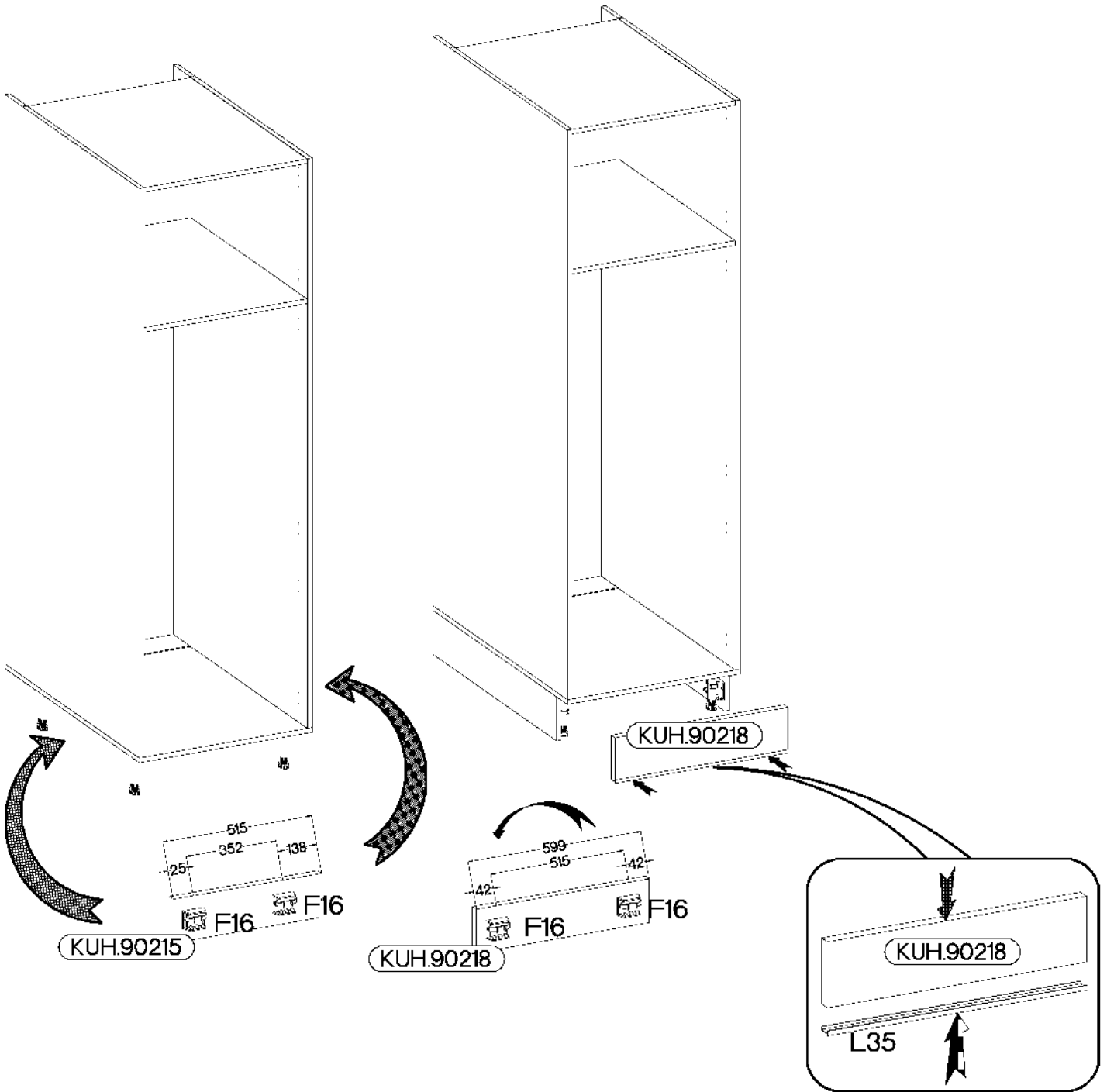
F16

6



L35

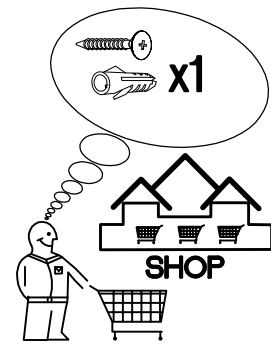
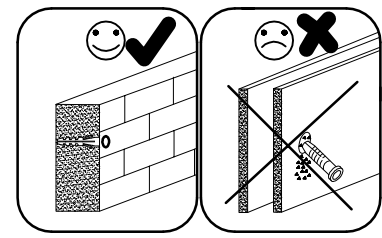
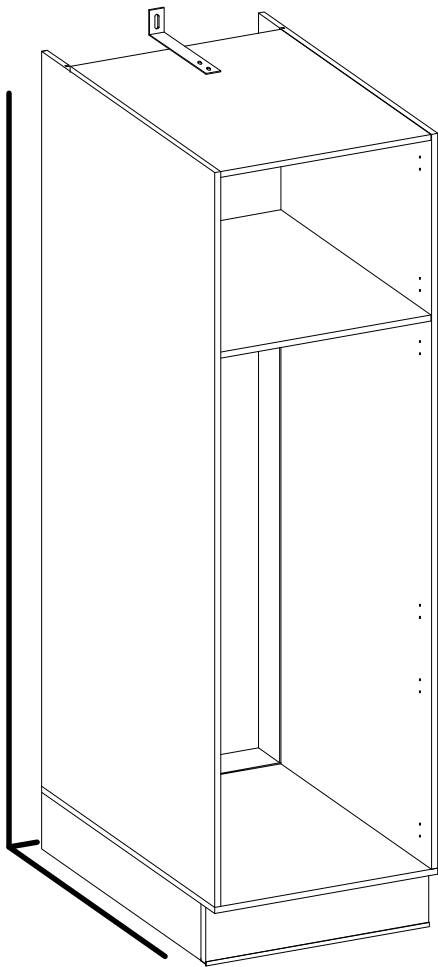
1



8

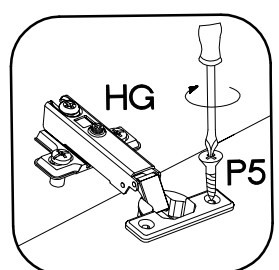
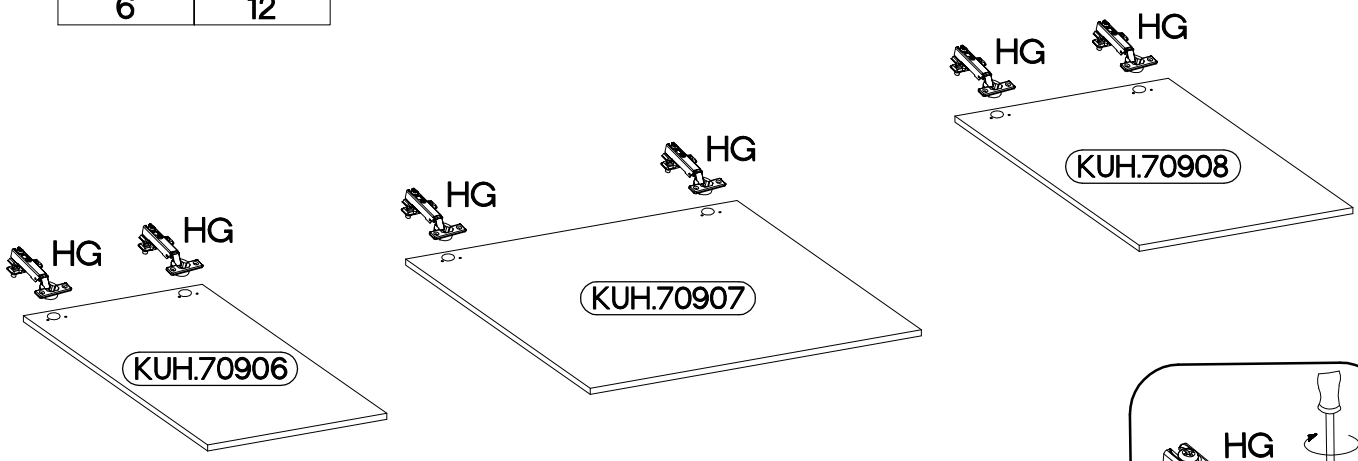
±3.5x13mm P5 2	120x30x15mm L25 1
----------------------	-------------------------



-
-
-
-
-

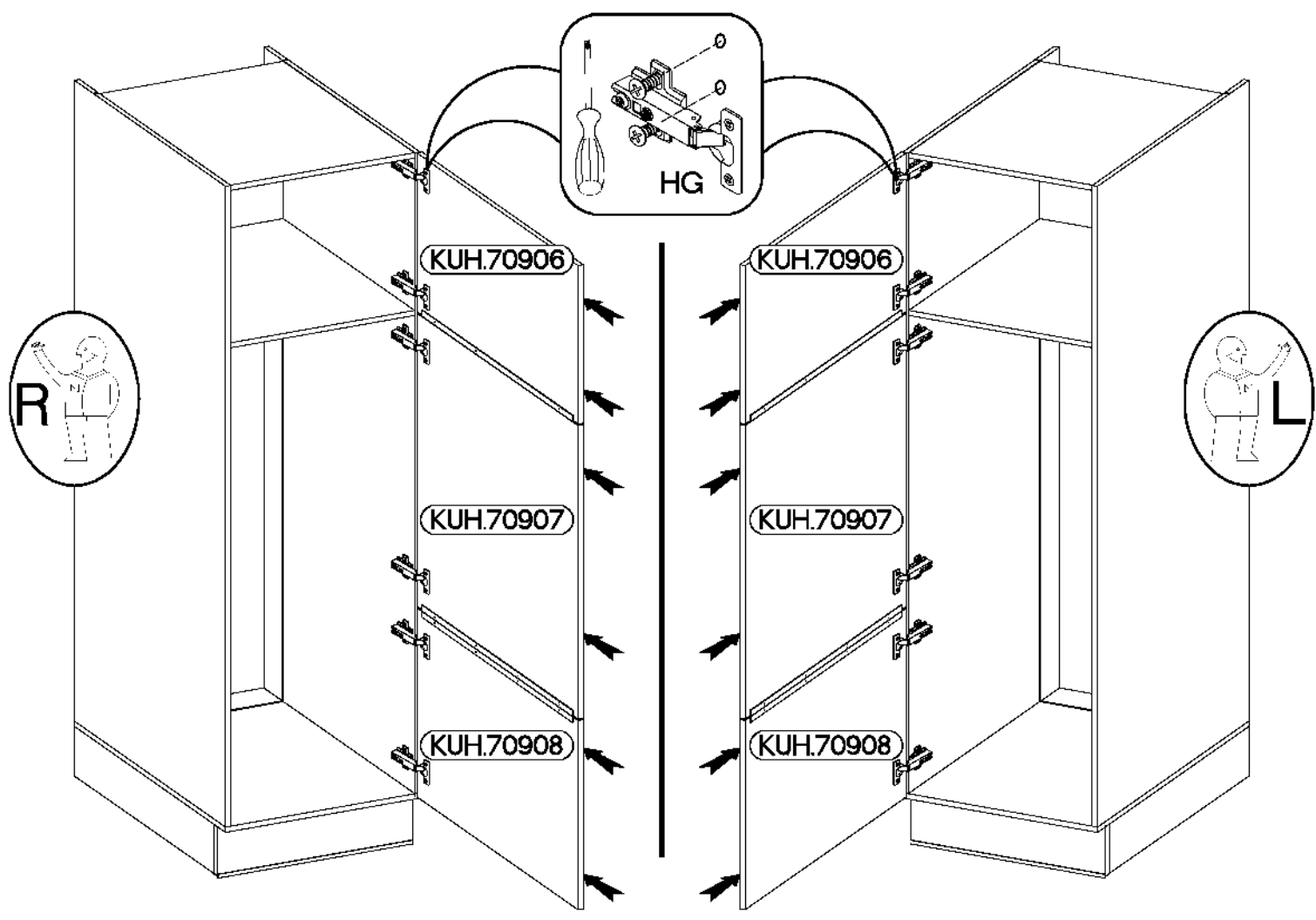
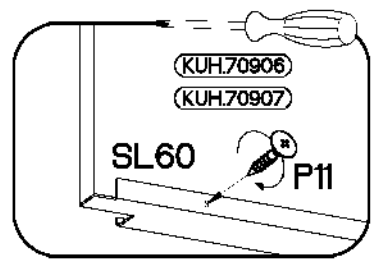
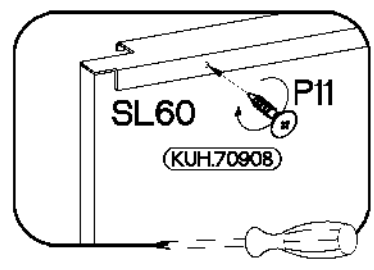


9

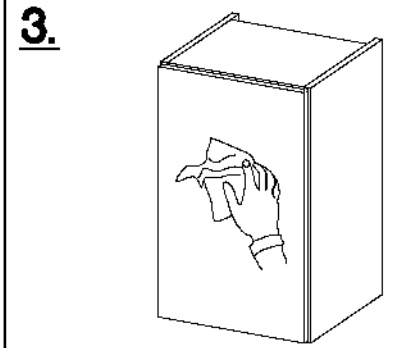
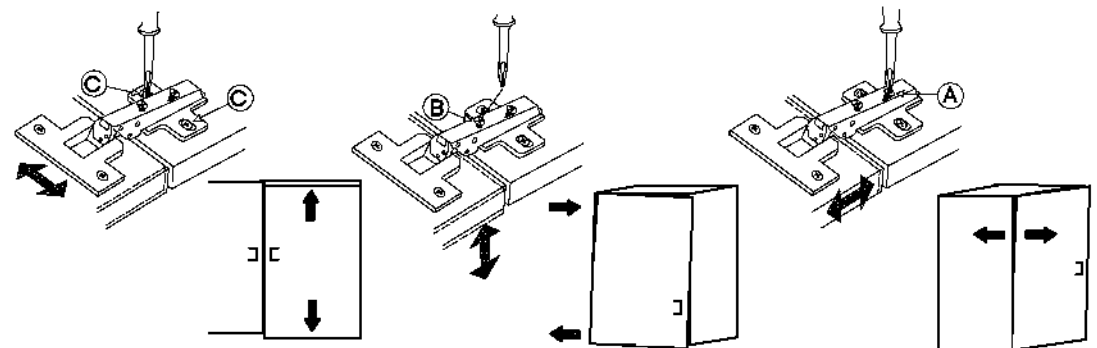
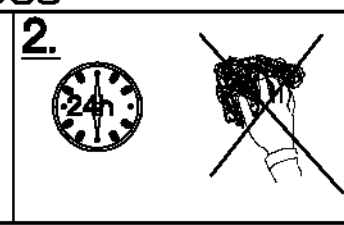
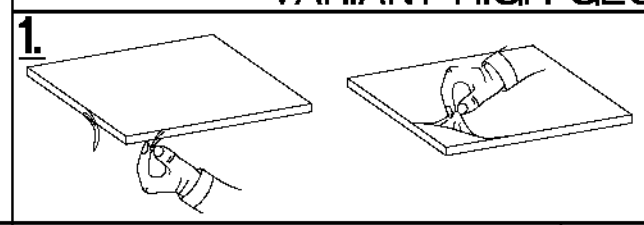
±35/0mm HG 6	±3.5x13mm P5 12
--------------------	-----------------------

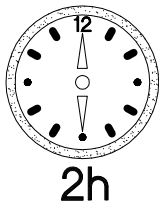
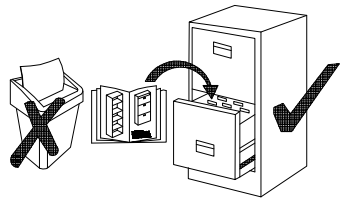
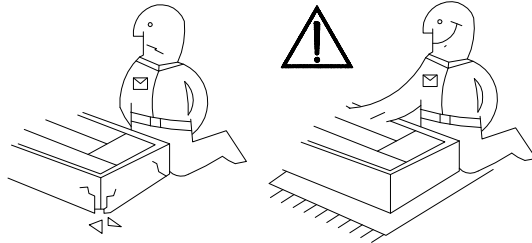
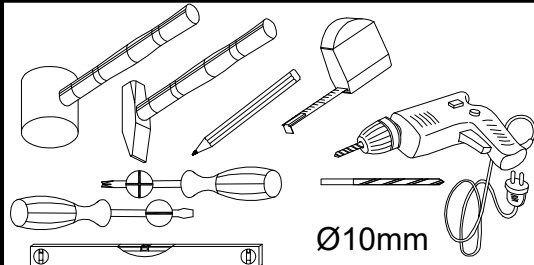
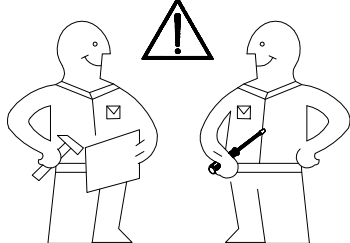


∅3.0x16mm	L=595mm
	
P11	SL60
12	3



VARIANT HIGH GLOSS



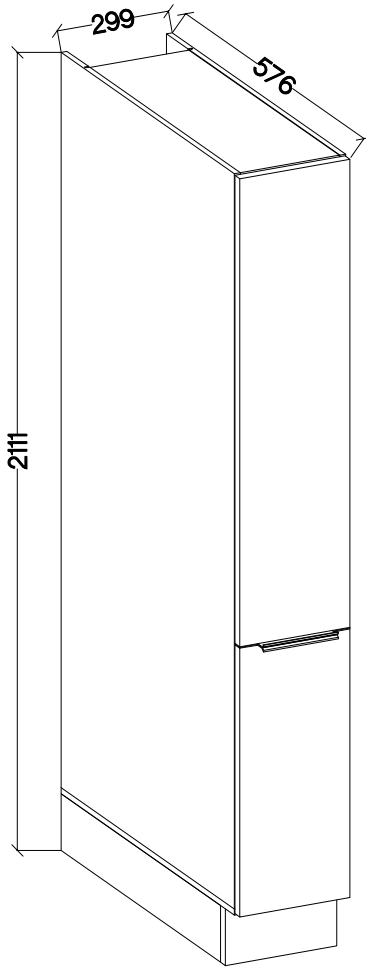


SAFADO / MARLEEN

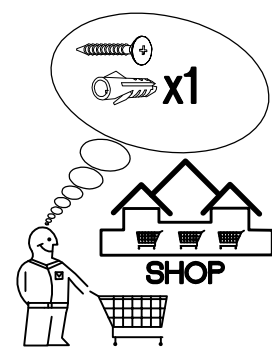
73-152-...
73-15B-...
73-15A-...



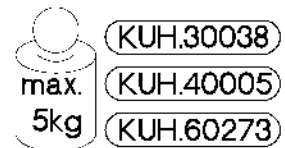
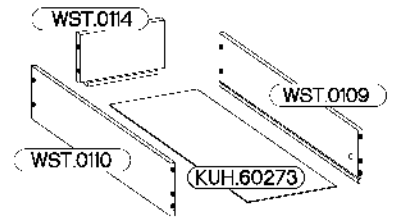
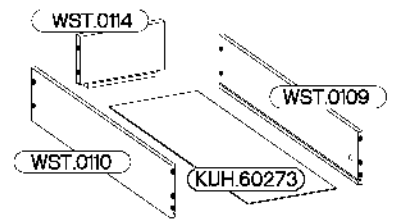
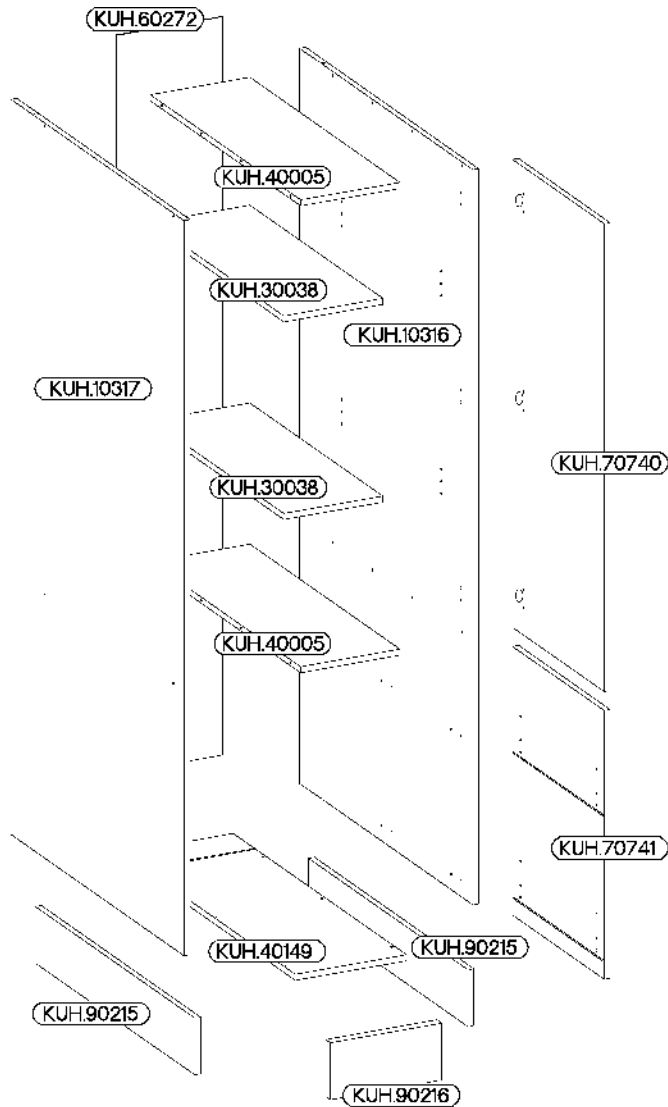
respekta®



†8x30mm A 16	6,4 x 50mm B 14	†6x42mm B2 8	†12/10mm C5 4				
L=20mm D2 4	 E1 14	 F15 4	 F16 6	†35/0mm HG 3	L L=450mm L R 2	†5/16mm J3 8	
 L25 1	†6.3x13mm M2 16	 O 1	†3.5x13mm P5 36	†3.0x20mm P7 8-10	†3.0x16mm P11 6	†4.0x25mm R 4	L=295mm SL30 2



ISM-KUH-01606



Colli	Spare Part	Dimension
Colli 1/2	KUH.40005 x2	267x485x16
	KUH.40149	299x560x16
	KUH.70740	1238x296x16
	KUH.90215 x2	515x150x16
	KUH.90216	299x150x16
Colli 2/2	KUH.10316	1945x560x16
	KUH.10317	1945x560x16
	KUH.30038 x2	266x430x16
	KUH.60272	1953x285x2,5
	KUH.60273 x2	448x237x2,5
	KUH.70741	711x296x16
	WST.0109 x2	450x140x12
	WST.0110 x2	450x140x12
WST.0114 x2	227x140x12	

+8x30mm



+6.3x13mm



8

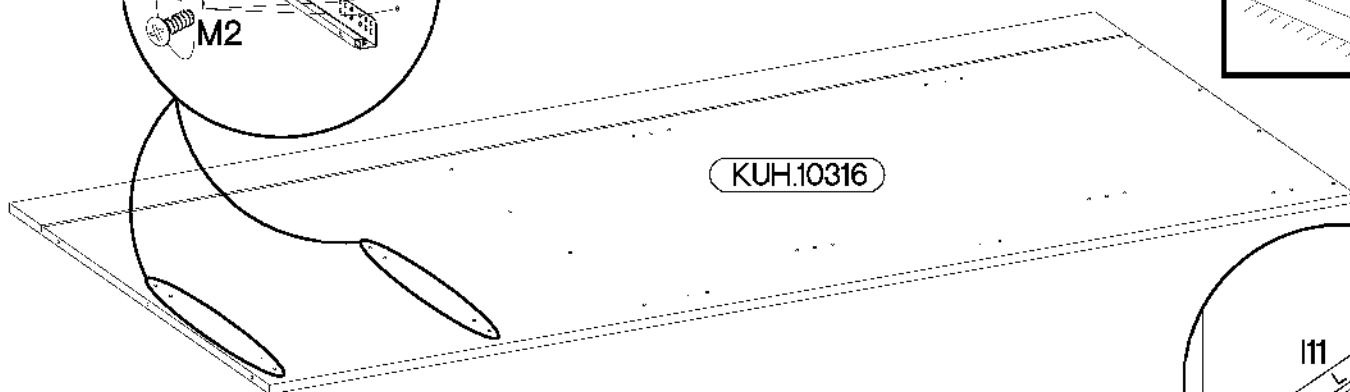
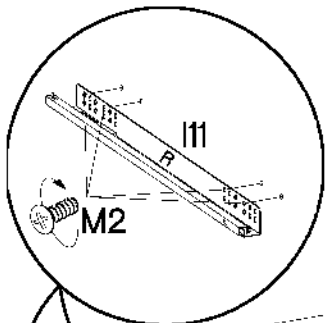
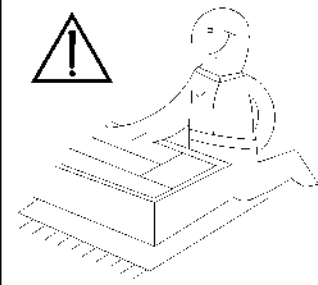
A L=450mm

2

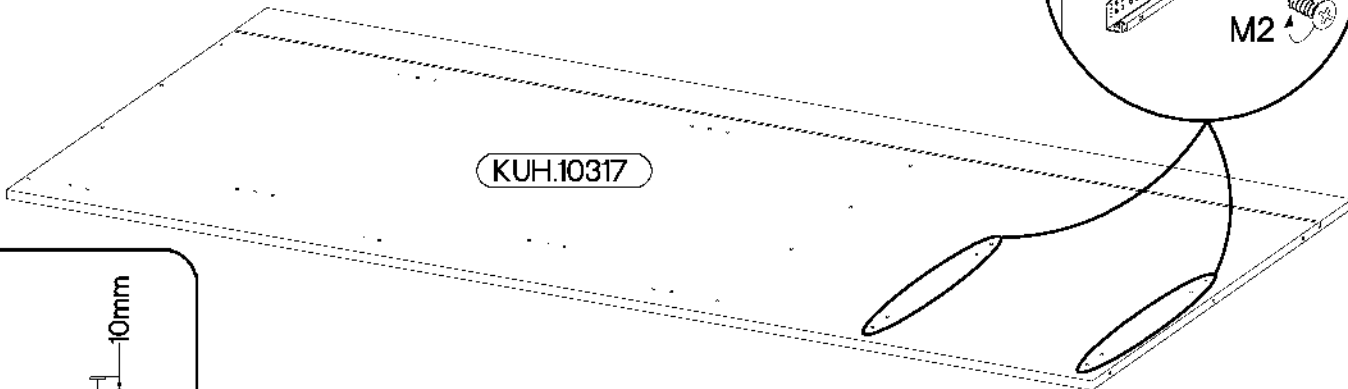
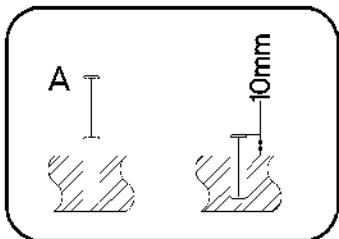
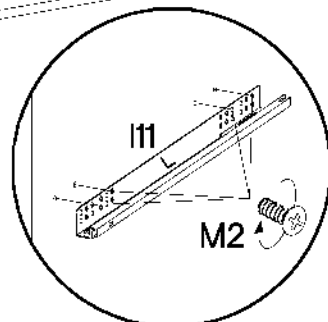
I11

M2

16



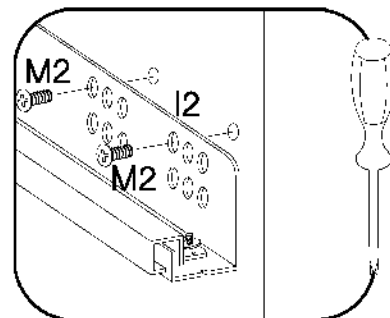
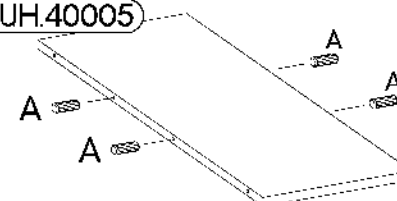
KUH.10316



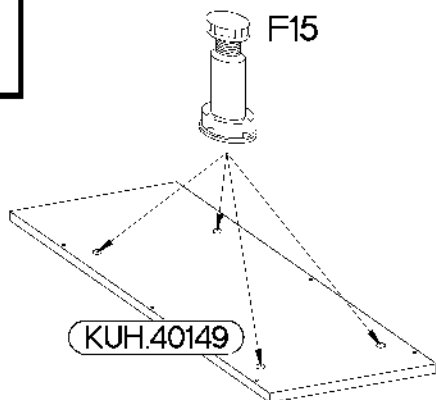
KUH.10317

KUH.40005

KUH.40005



2



KUH.40149

+3.5x13mm



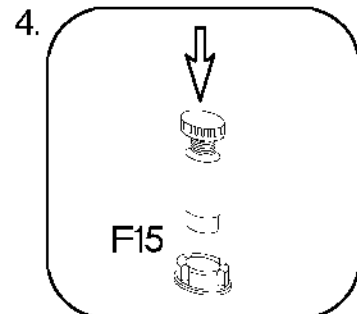
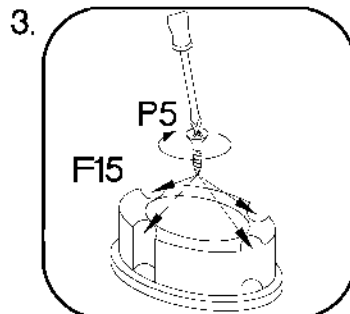
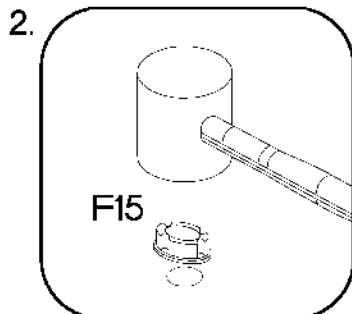
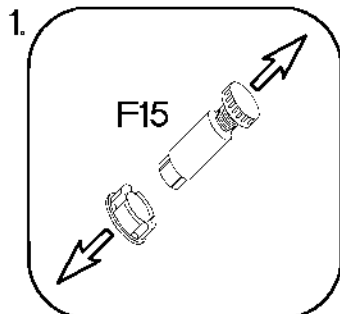
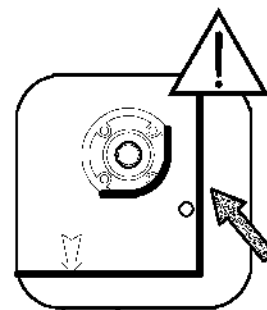
P5

F15

16

4

- 299 -



6,4 x 50mm



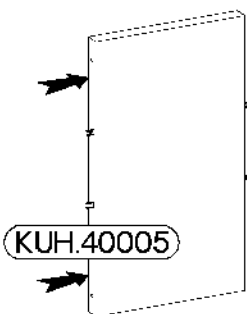
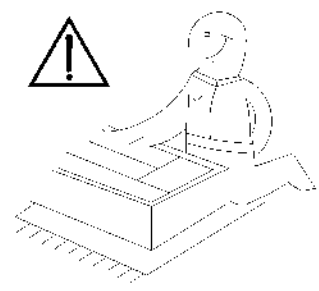
2 B



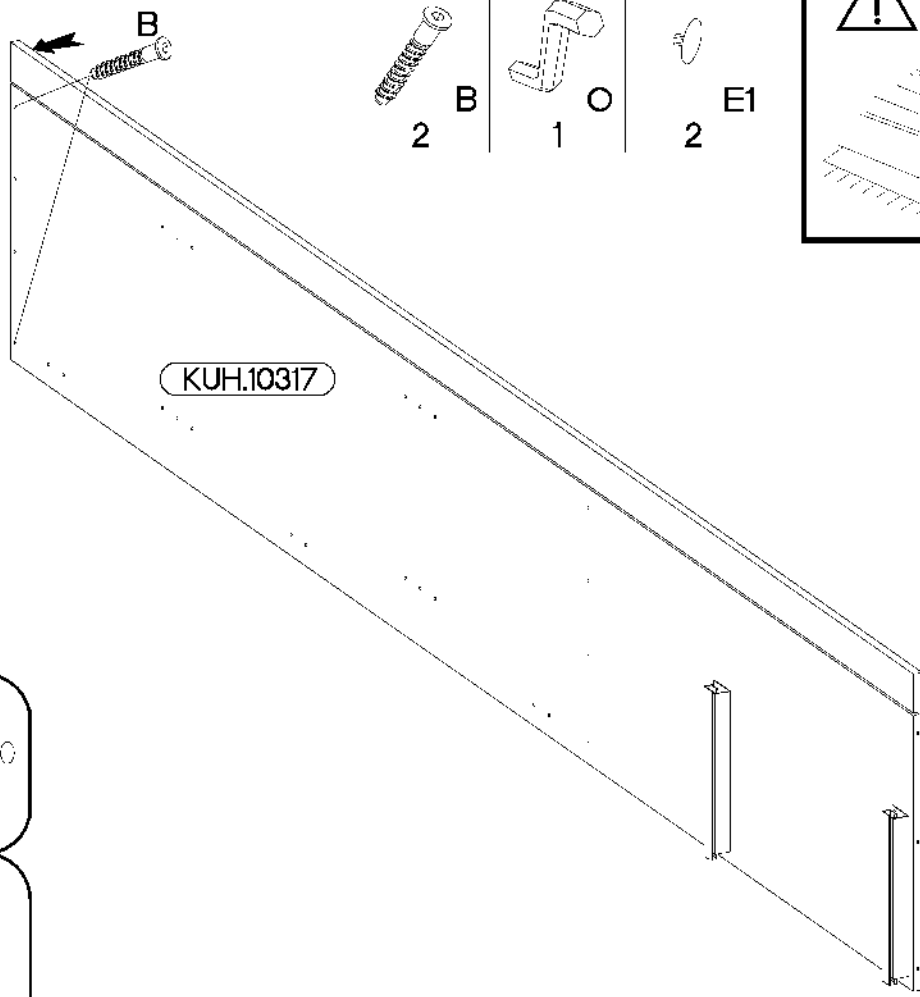
1 O



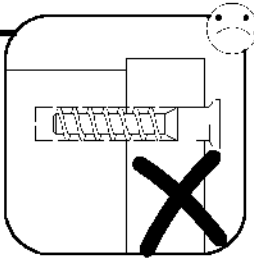
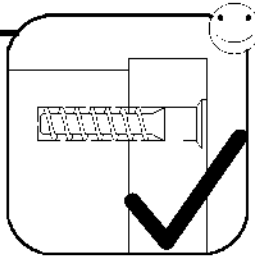
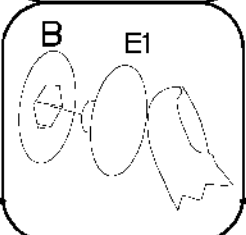
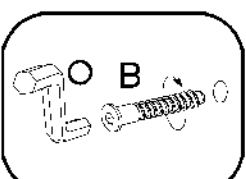
2 E1



KUH.40005



KUH.10317



KUH.40005

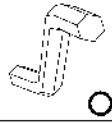
KUH.10317

KUH.40005

6,4 x 50mm



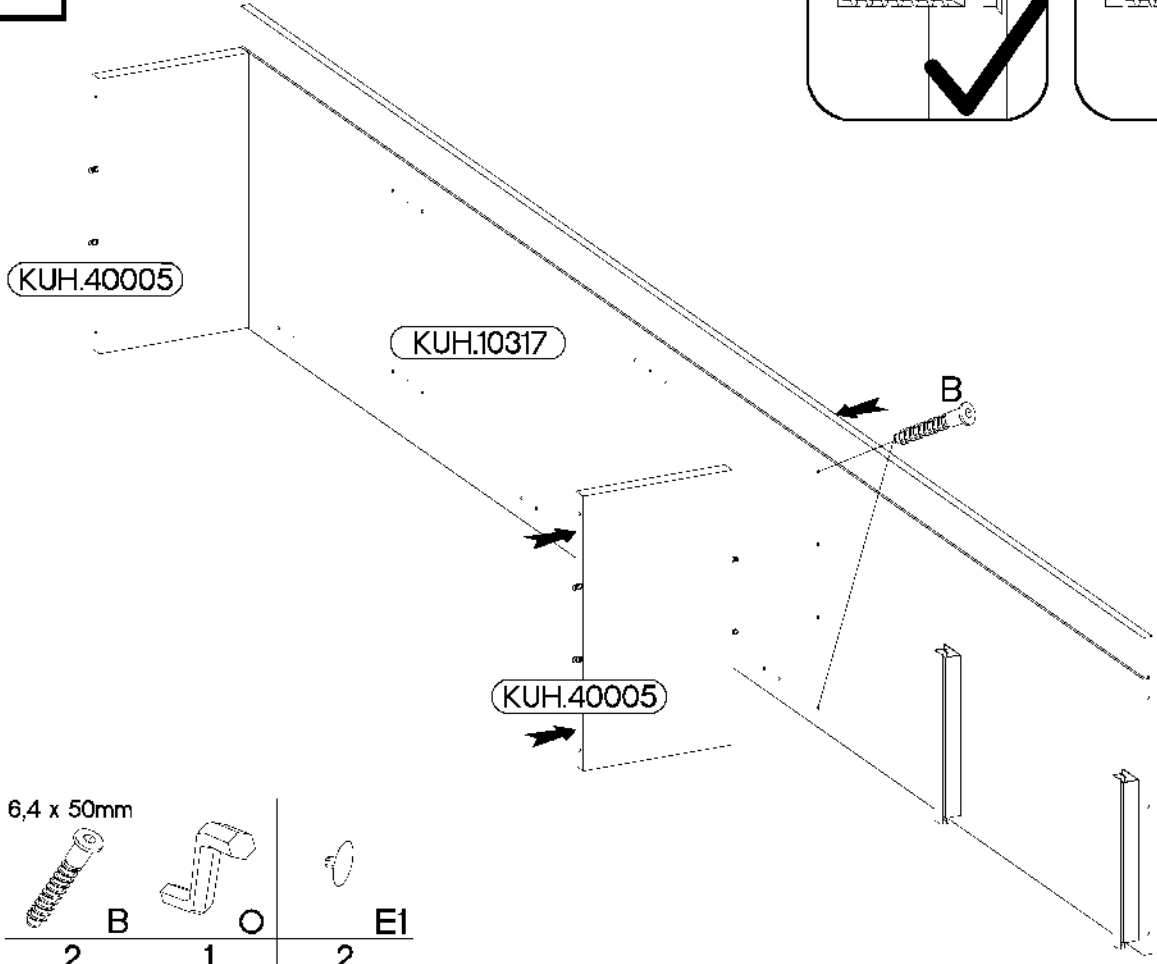
2 B



1 O

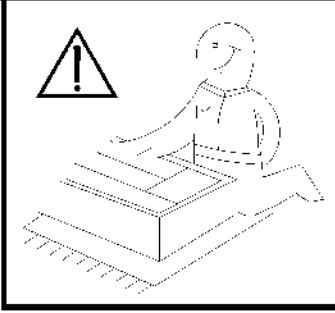
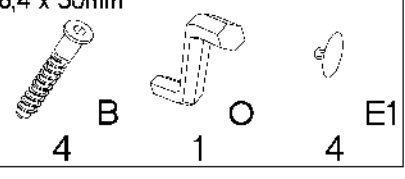


2 E1





6,4 x 50mm

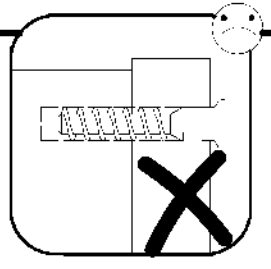
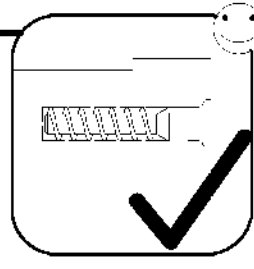
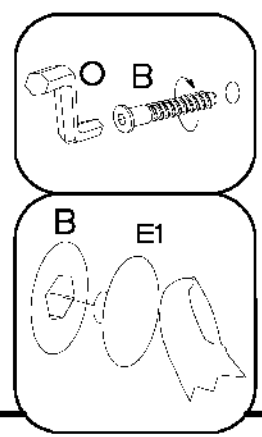


KUH.40005

KUH.10317

KUH.10316

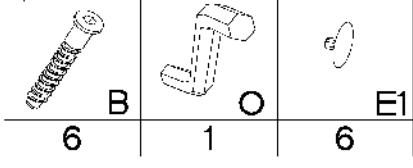
KUH.40005



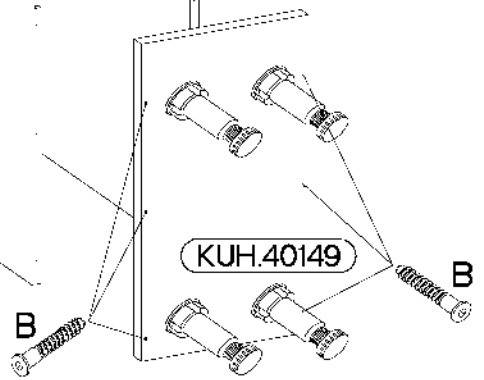
KUH.10317

KUH.10316

6,4 x 50mm



KUH.40149



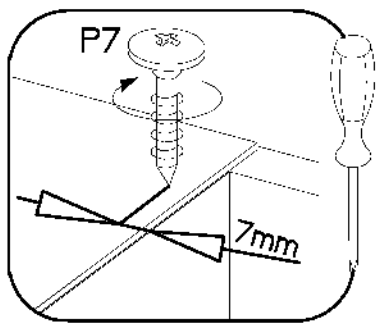
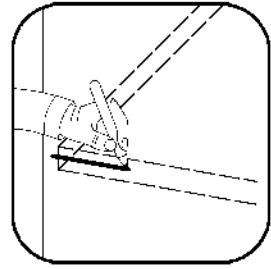
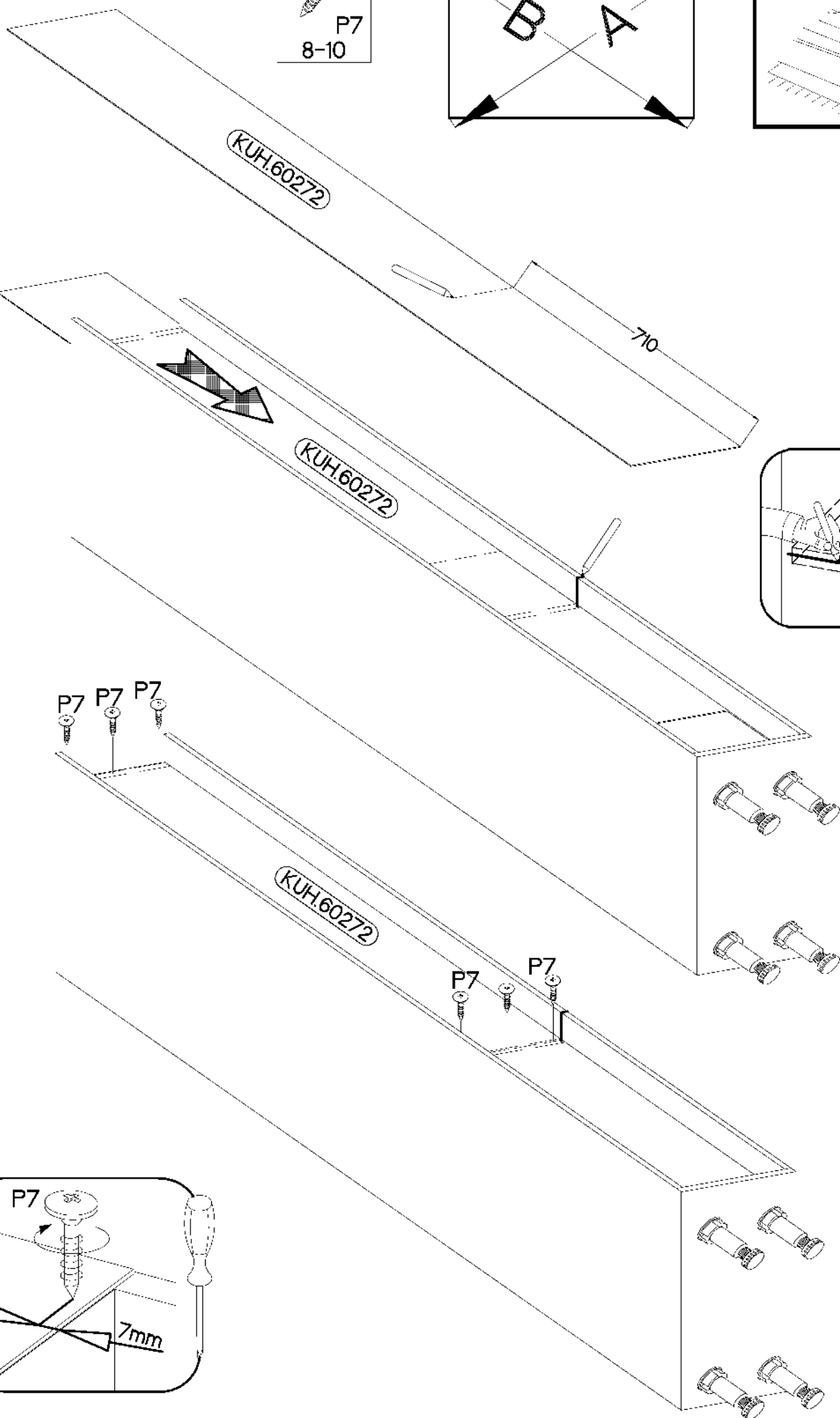
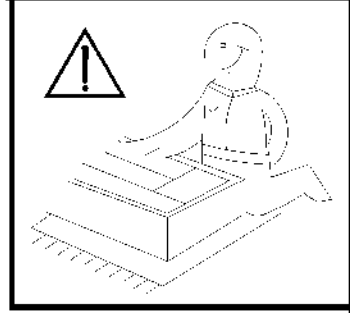
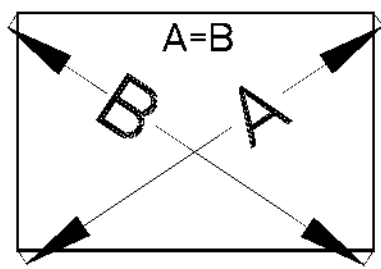


3.0x20mm



P7

8-10



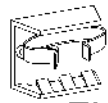


±3.5x13mm



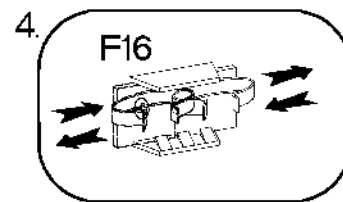
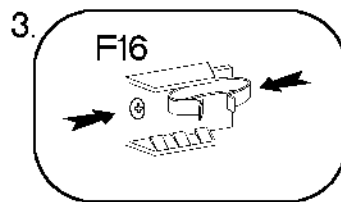
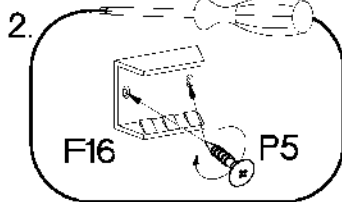
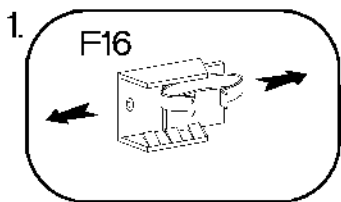
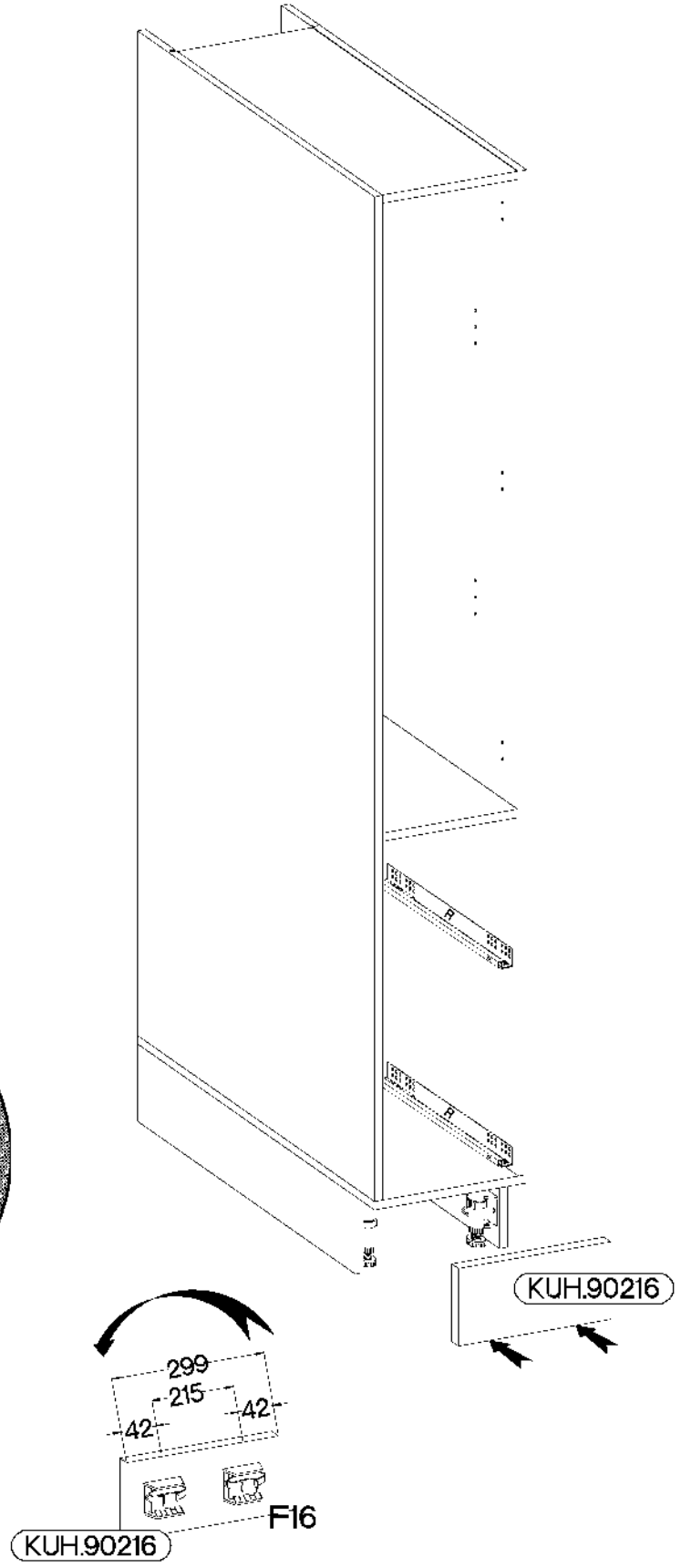
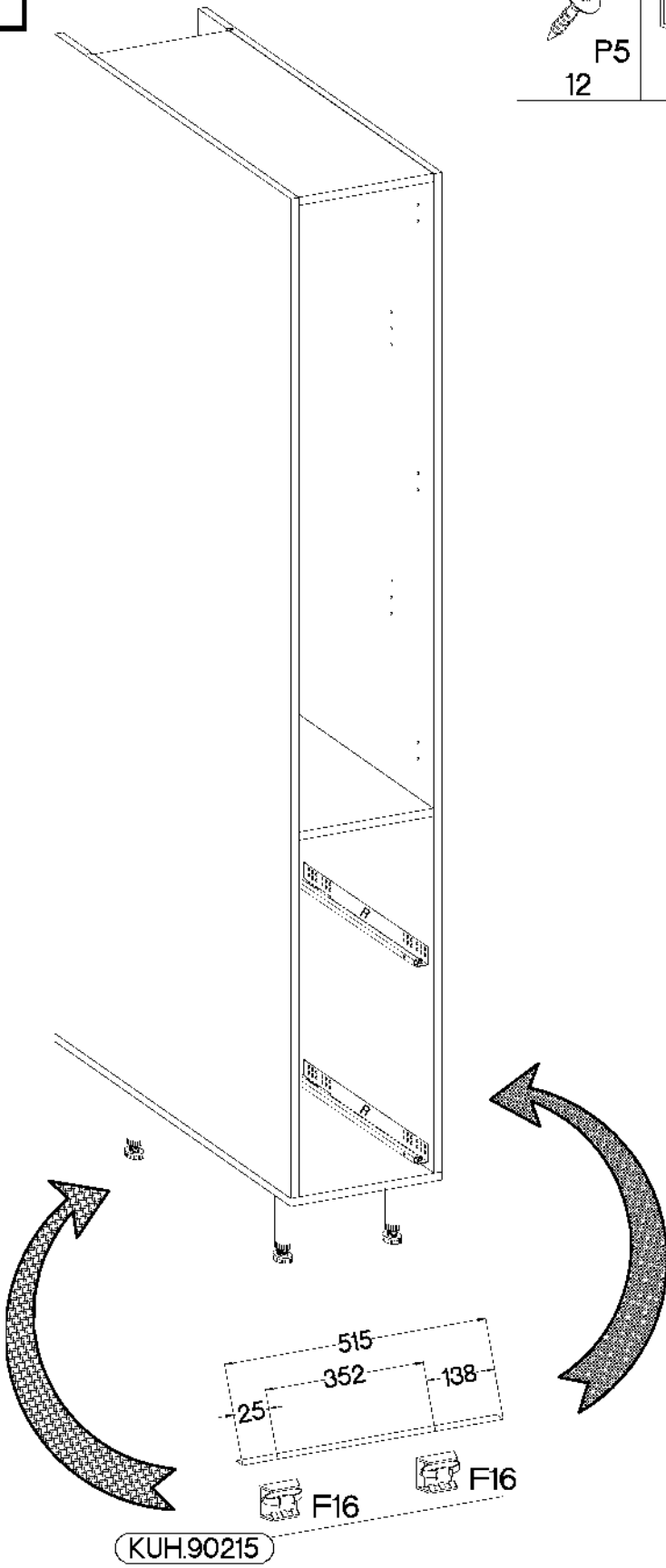
P5

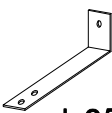

12



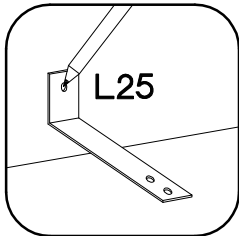
F16

6

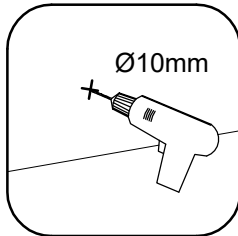


	
L25	P5
1	2

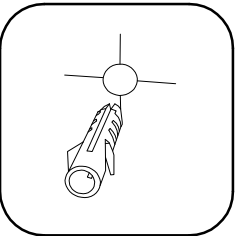
1.



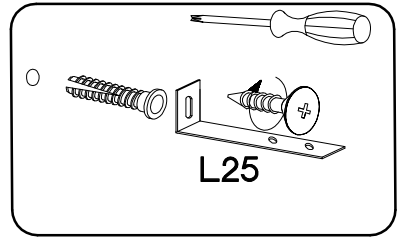
2.



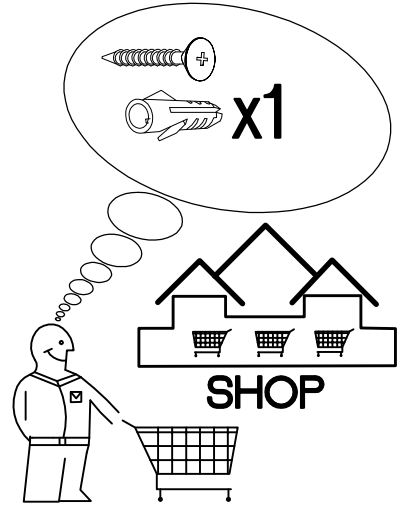
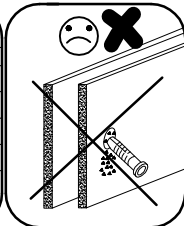
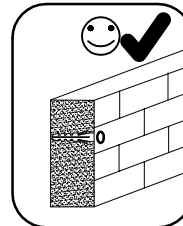
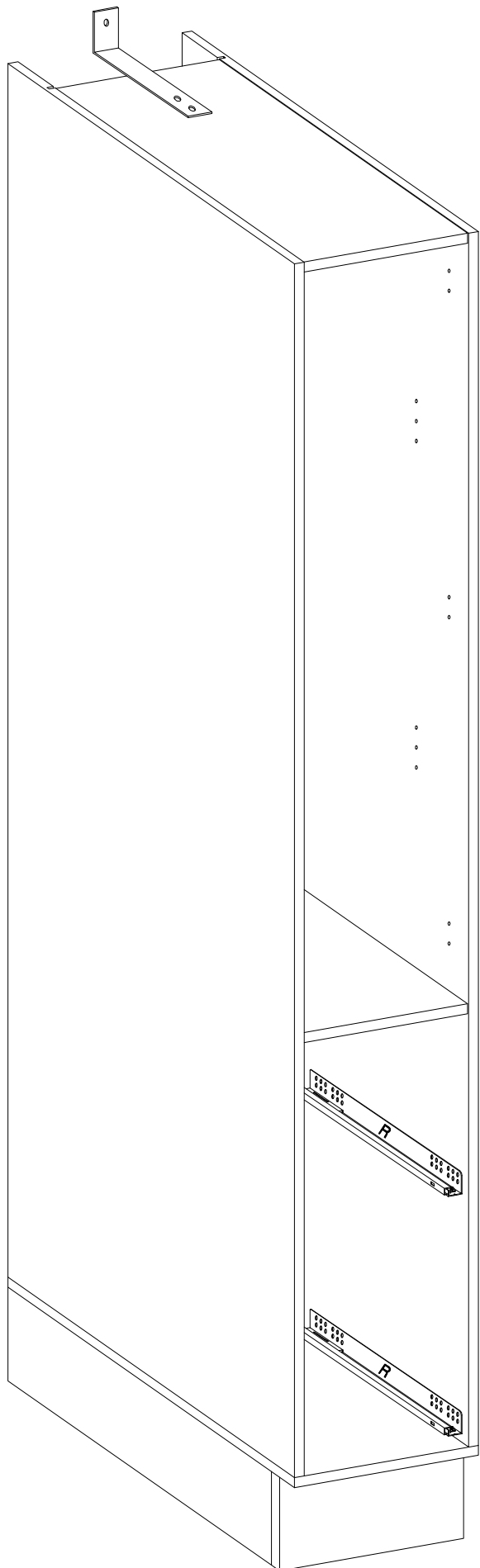
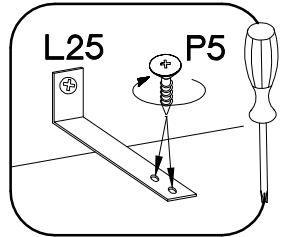
3.



4.



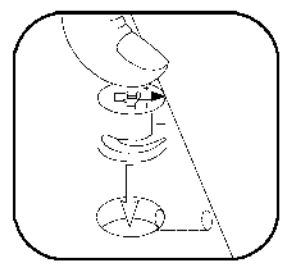
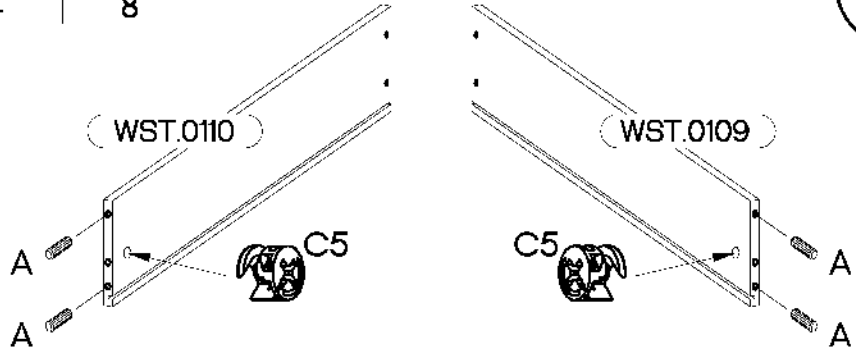
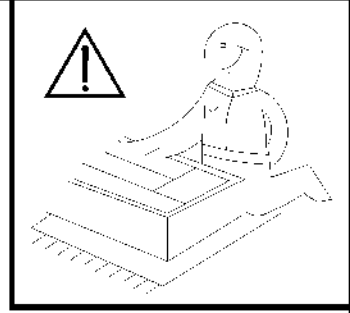
5.



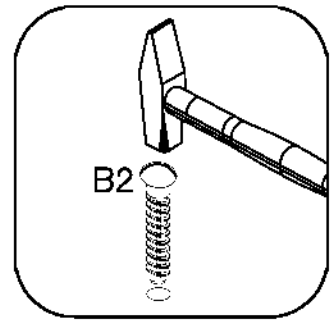
10

- #12/10mm
C5
4
- #8x30mm
A
8

x2

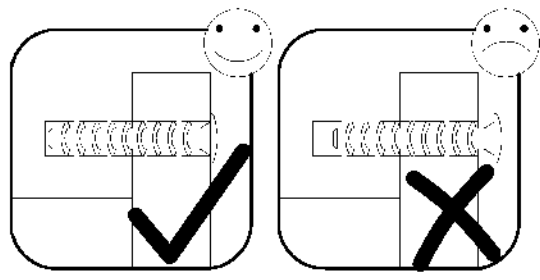
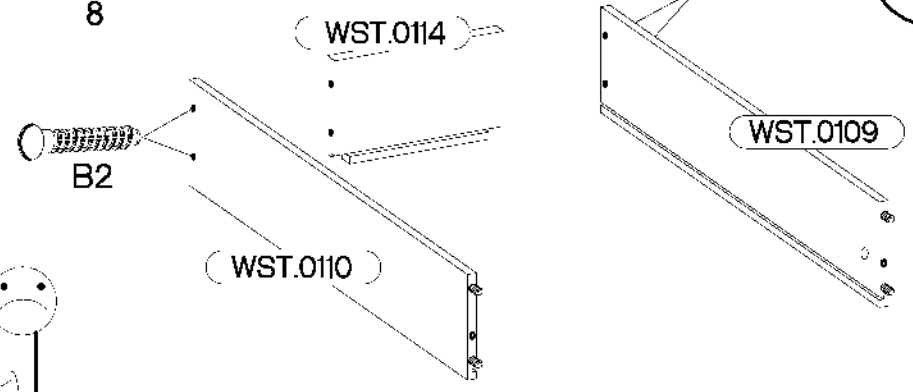


1



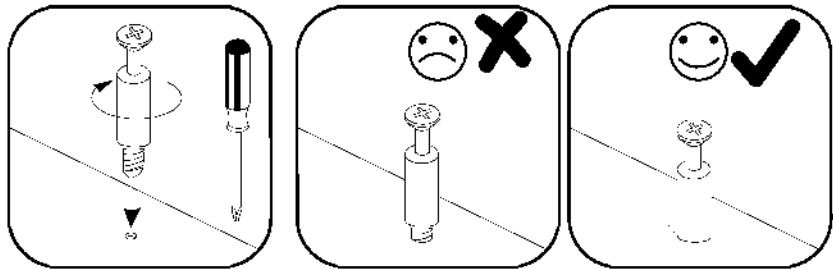
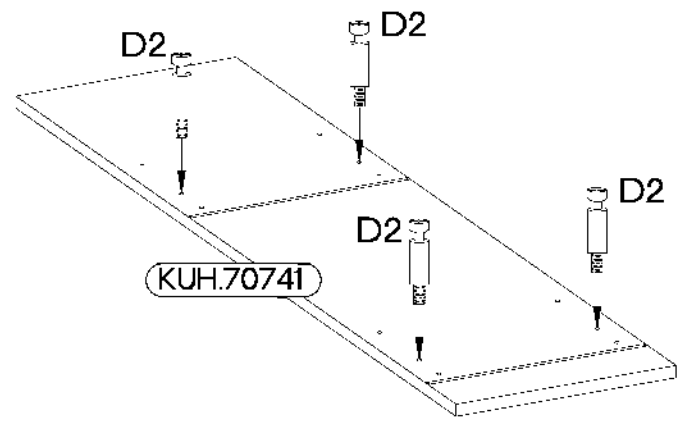
- #6x42mm
B2
8

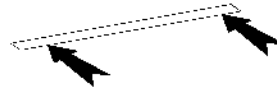
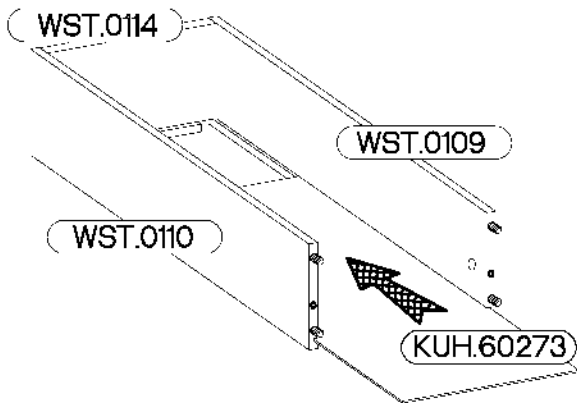
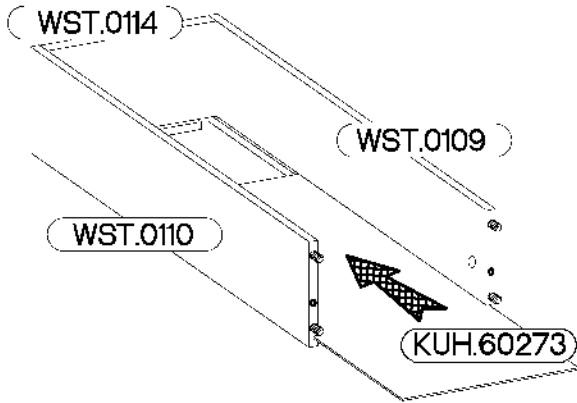
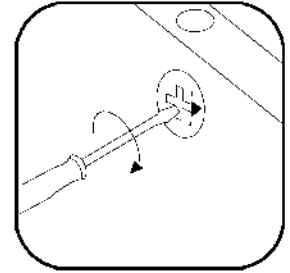
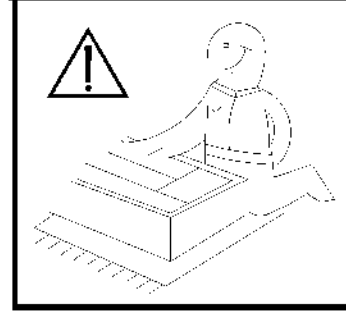
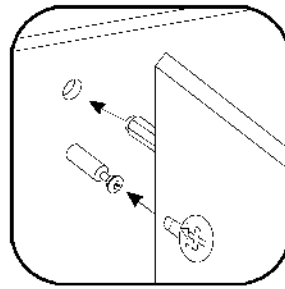
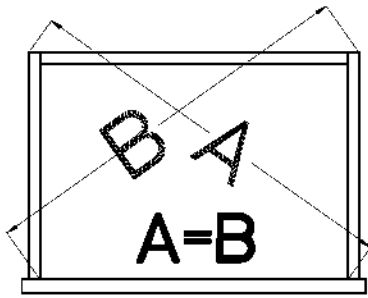
x2



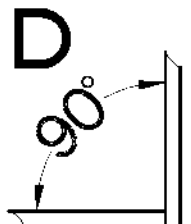
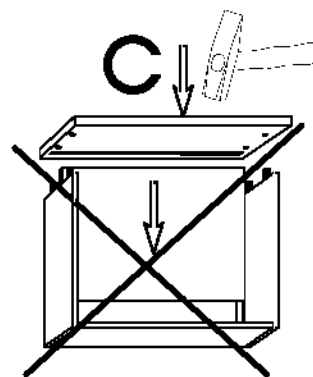
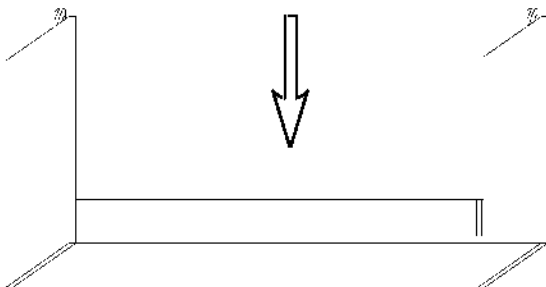
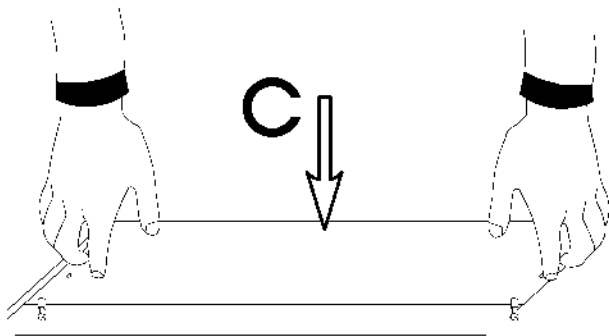
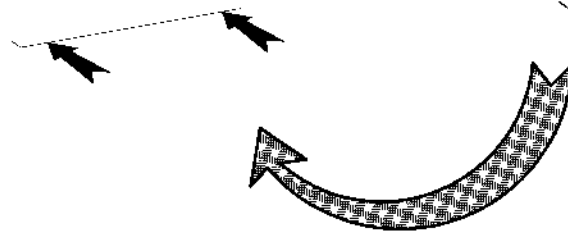
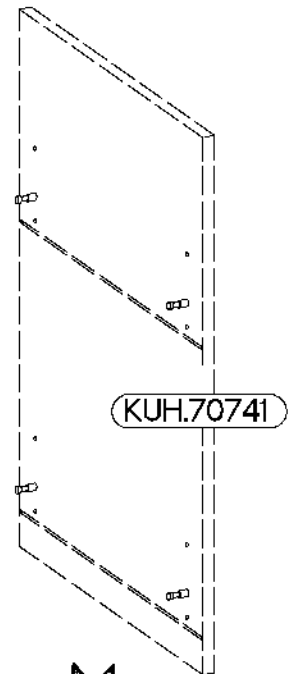
2

- L=20mm
D2
4

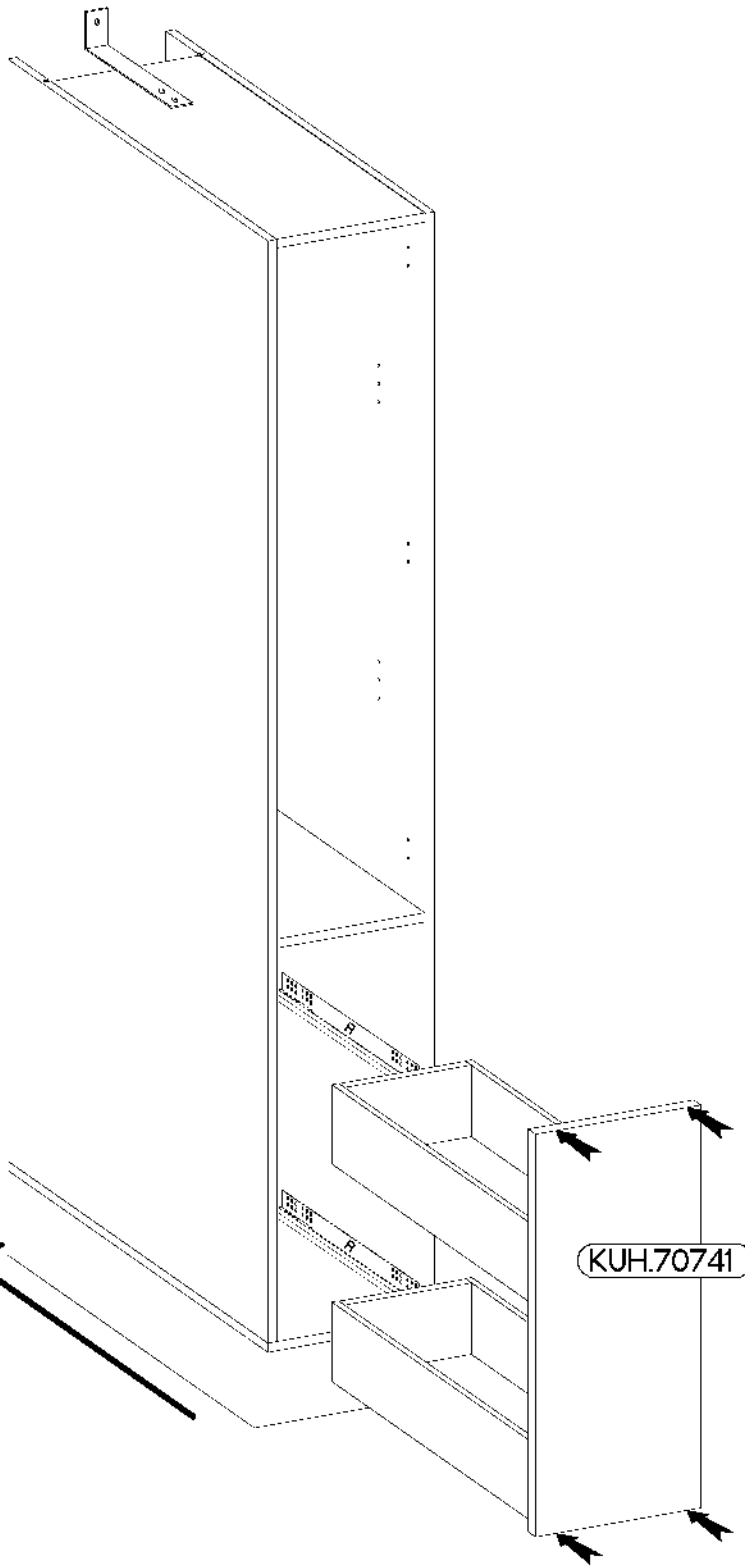




(KUH.70741)

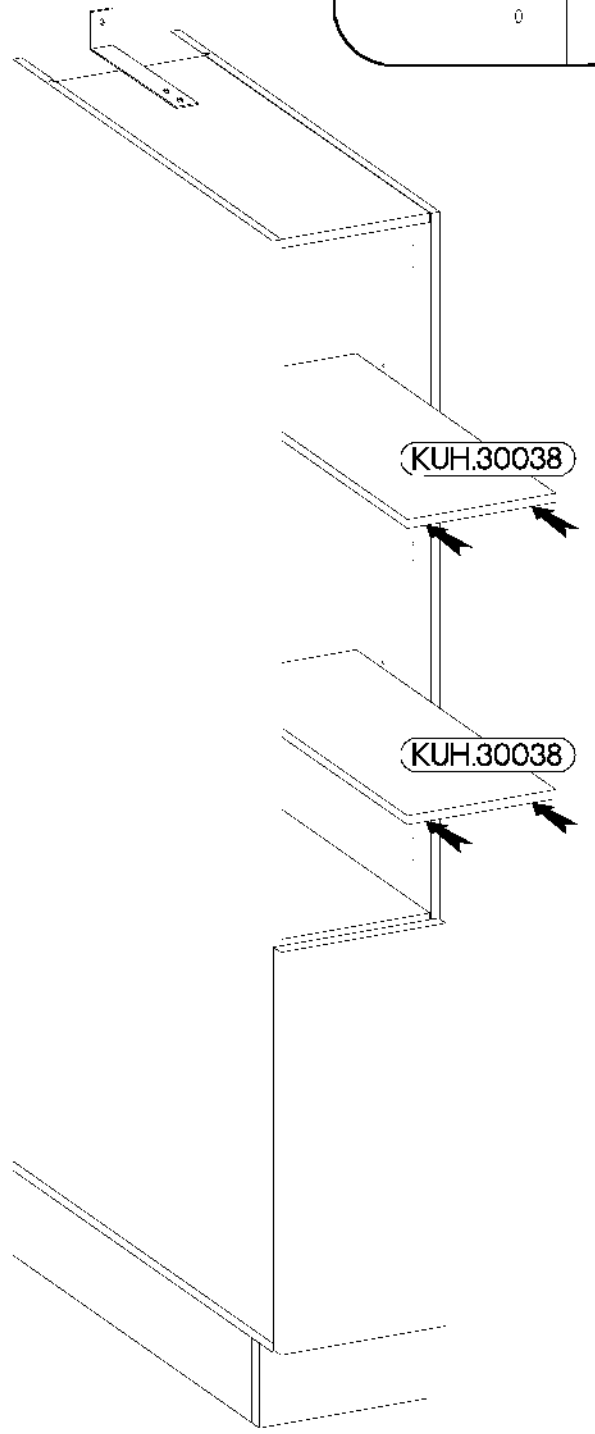
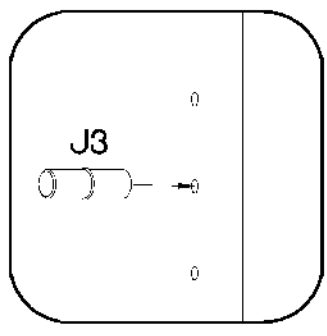


14

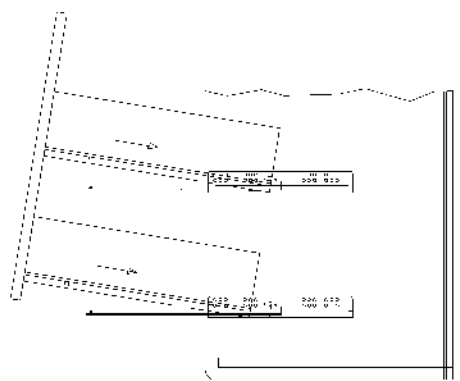


15

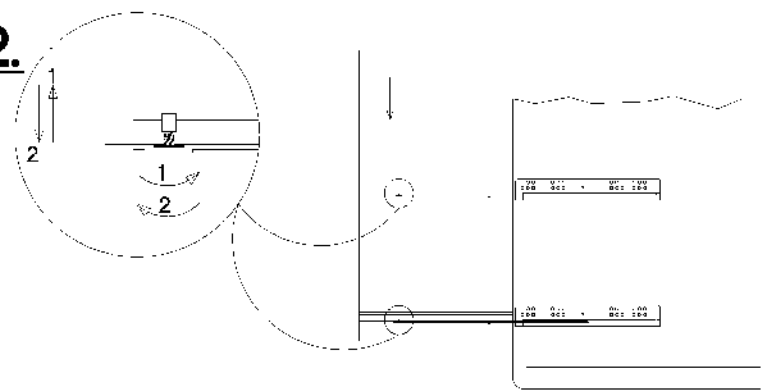
±5/16mm
J3
8





1.

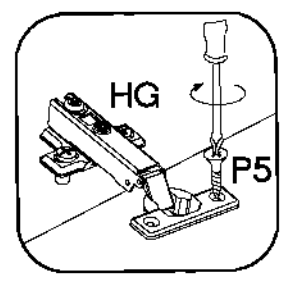
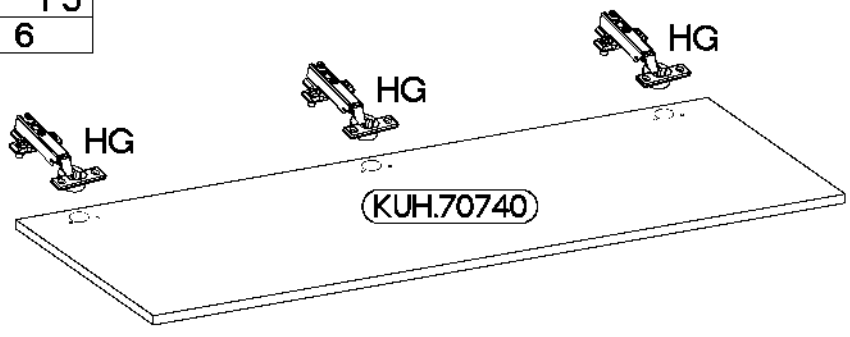


2.

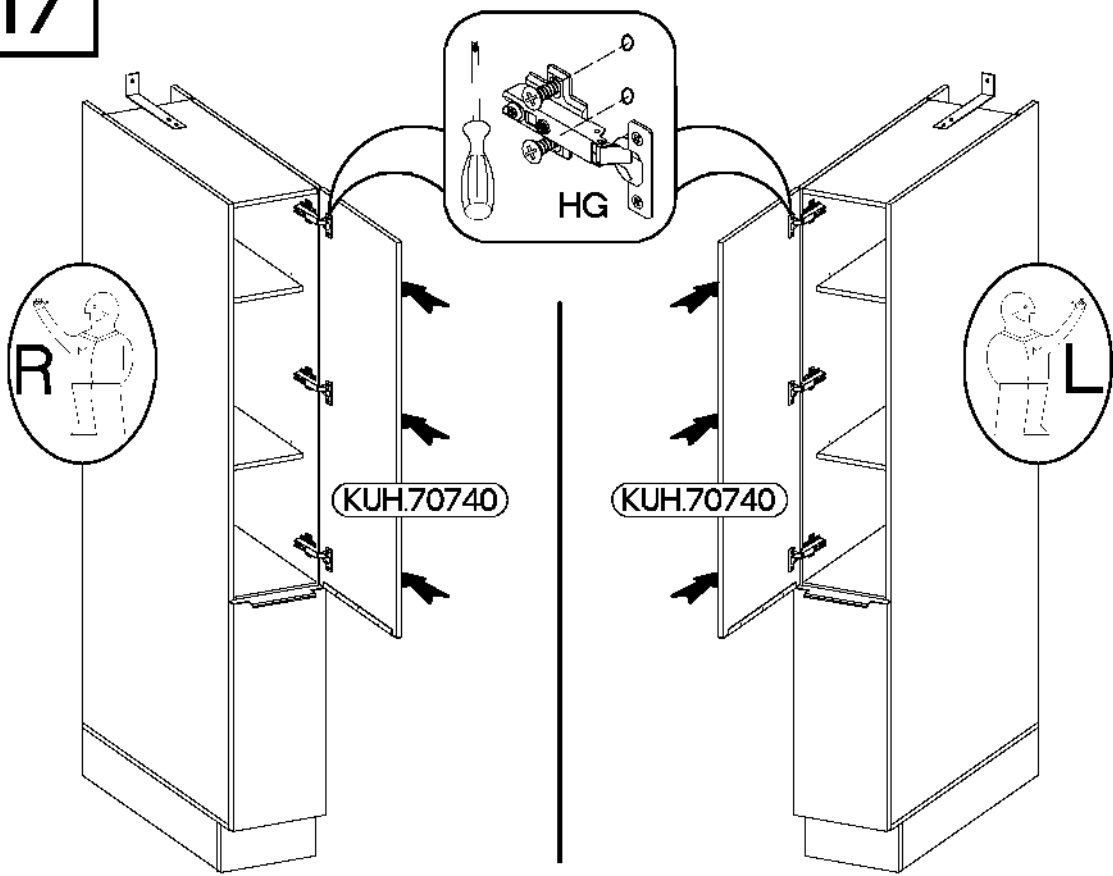




16

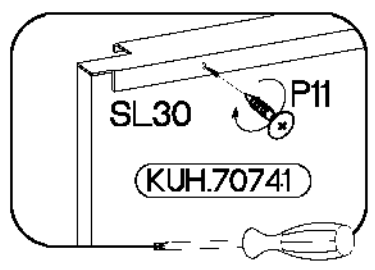
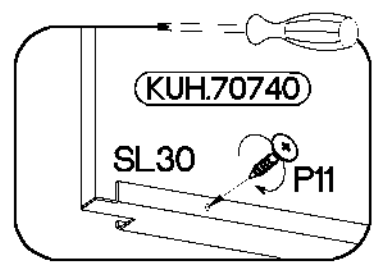
 <p>HG 3</p>	 <p>P5 6</p>
--	--



17



 <p>P11 6</p>	 <p>L=295mm SL30 2</p>
--	---



VARIANT HIGH GLOSS

