

2h

SAFADO / MARLEEN

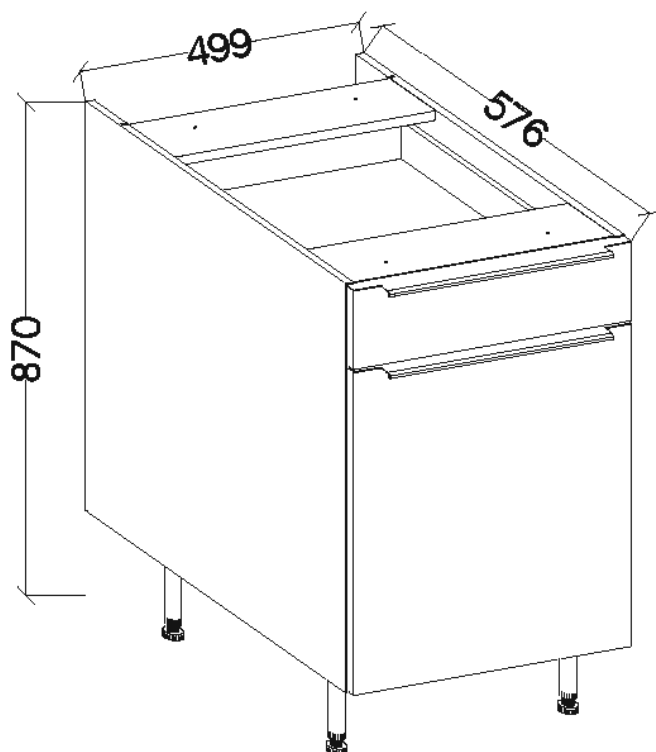
84-170-...






84-176-...





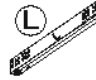

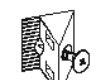
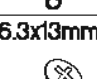


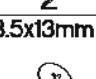
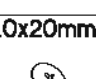
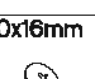
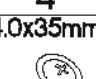
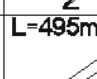
84-17A-...



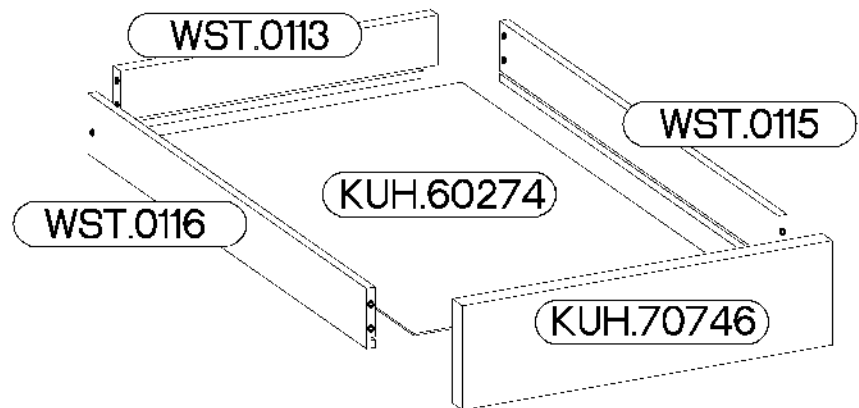
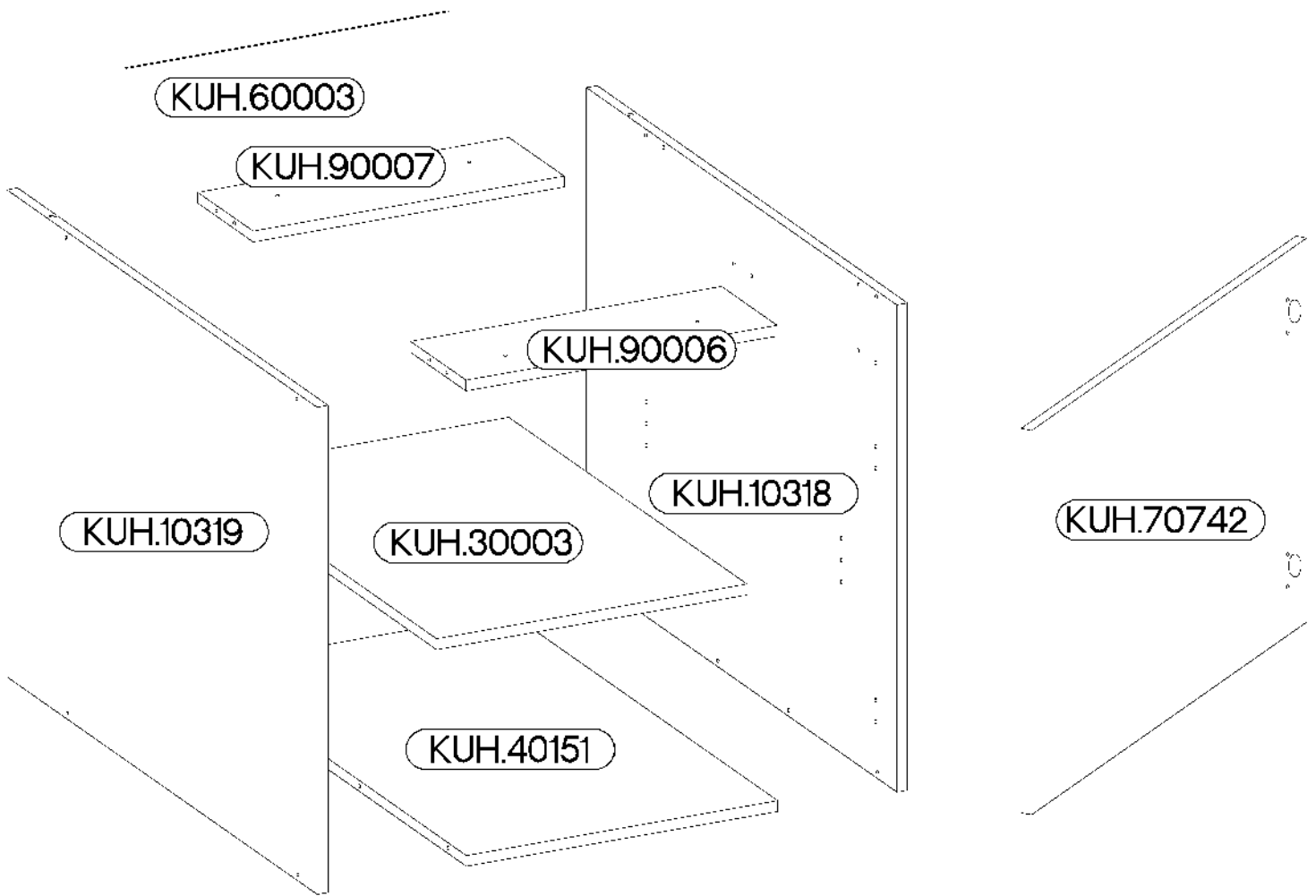
respekta®



 A	 B	 B2	 C5	 D2
12	8	2	2	2

 E1	 F15	 F16	 HG L=450mm	 L11	 J3	 L	
8	4	6	2	1	4	2	
 M2	 O	 O1	 P5	 P7	 P11	 R3	 SL50
8	1	1	32	8-10	6	4	2

ISM-KUH-01600


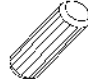



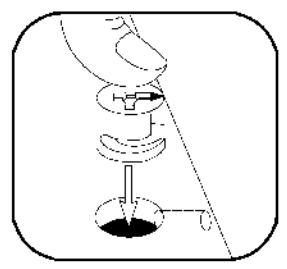
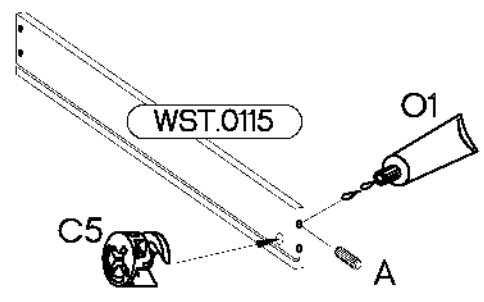
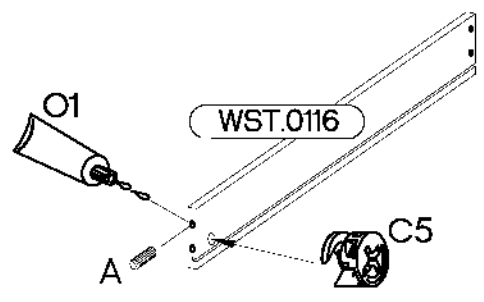
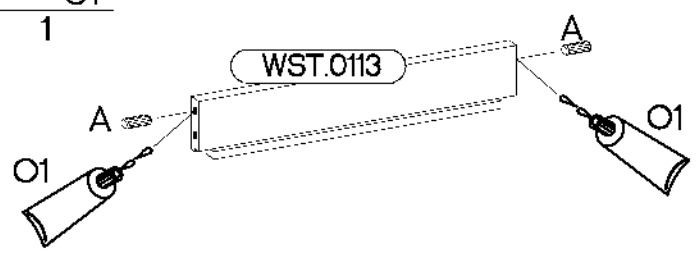
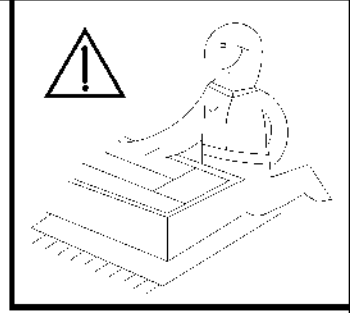
Colli	Spare Part	Dimension
Colli 1/6	KUH.10318	720x560x16
	KUH.10319	720x560x16
	KUH.30003	466x430x16
	KUH.40151	467x485x16
	KUH.60003	713x485x2,5
	KUH.60274	448x437x2,5
	KUH.70742	568x496x16
	KUH.70746	138x496x16
	KUH.90006	467x100x16
	KUH.90007	467x100x16
	WST.0113	427x80x12
	WST.0115	450x80x12
	WST.0116	450x80x12



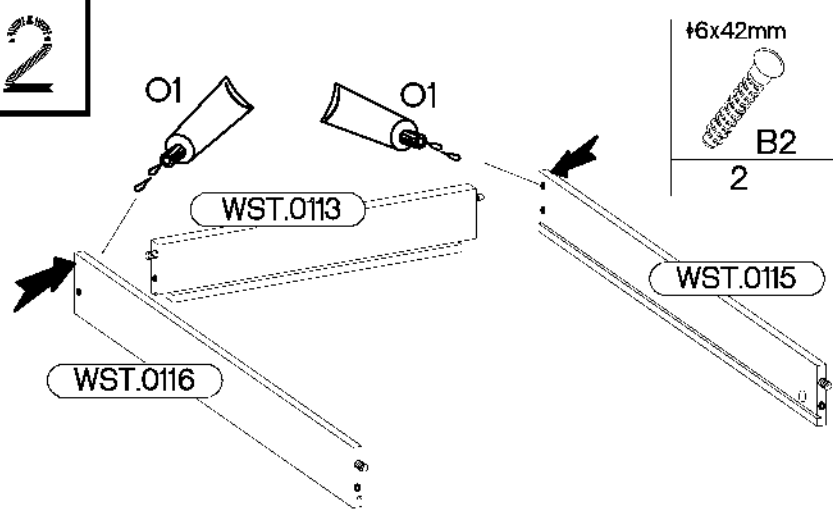
KUH.30003



KUH.40151

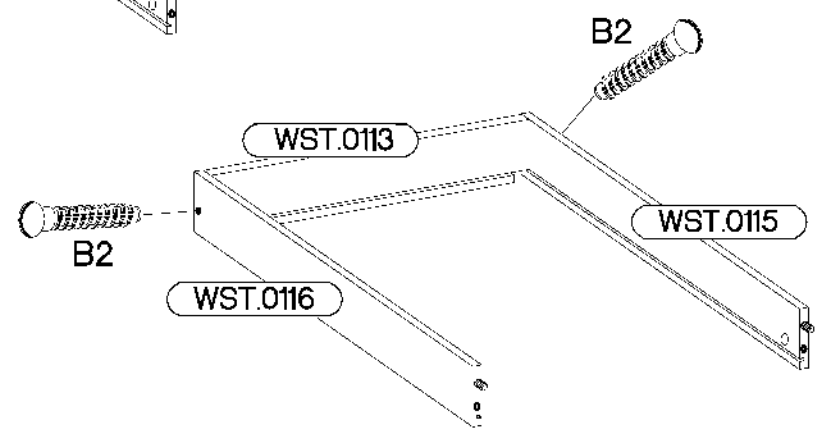
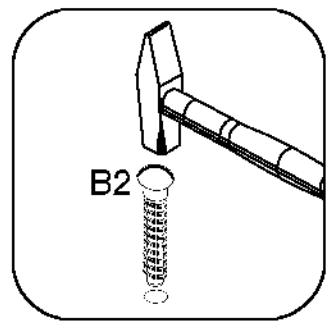
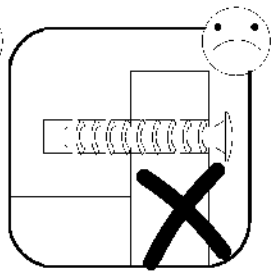
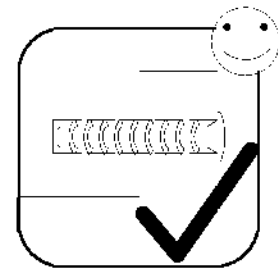
#12/10mm  C5 2	#8x30mm  A 4	 O1 1
---	---	---




2

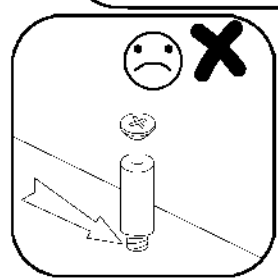
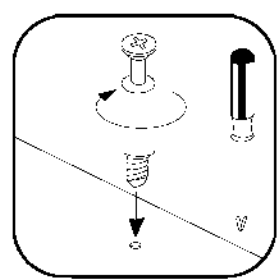
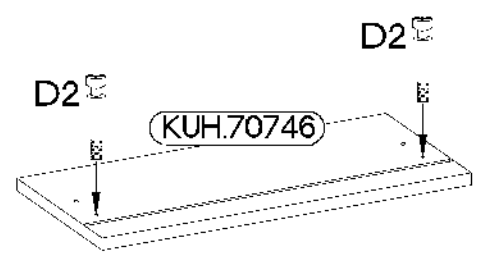


#6x42mm  B2 2	 O1 1
---	--

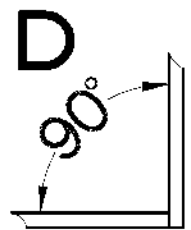
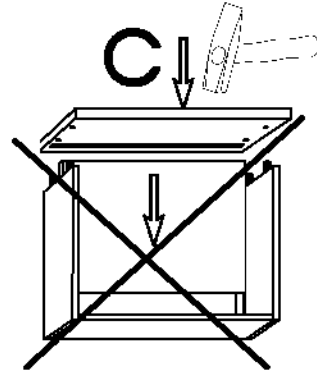
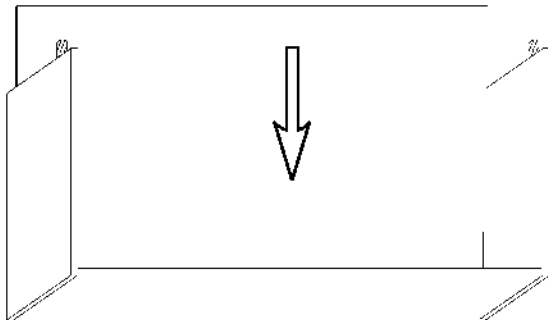
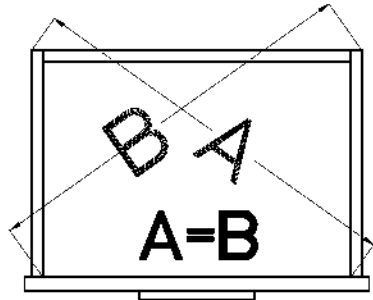
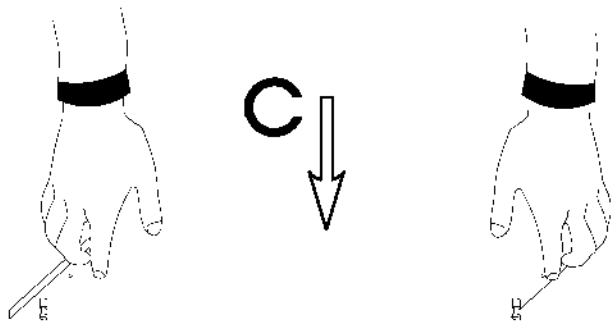
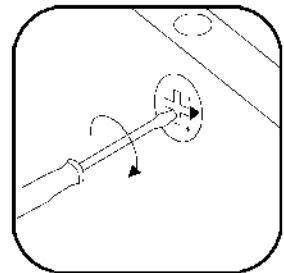
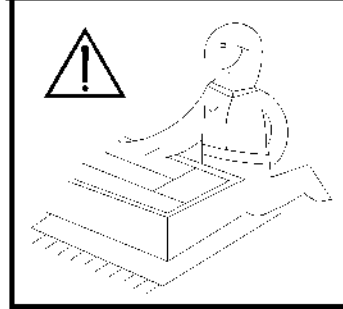
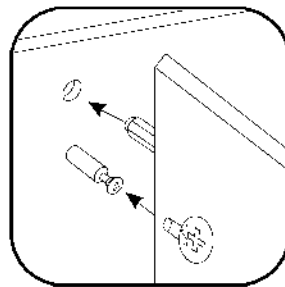
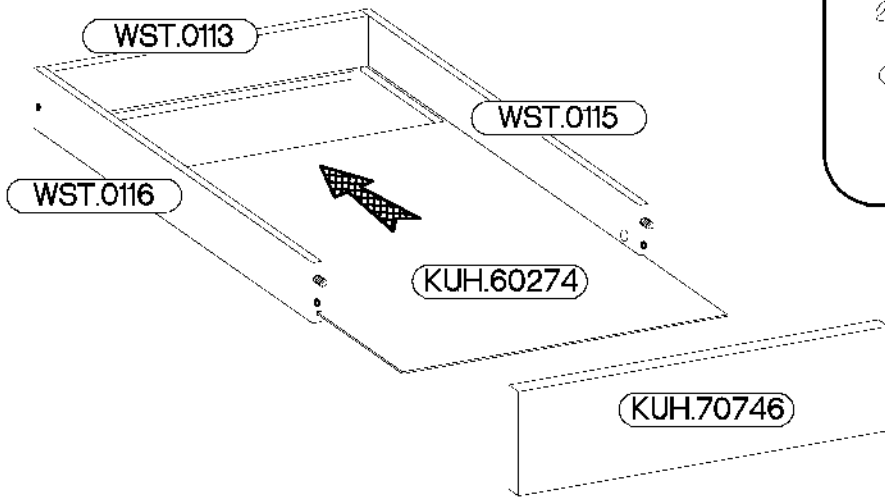


3

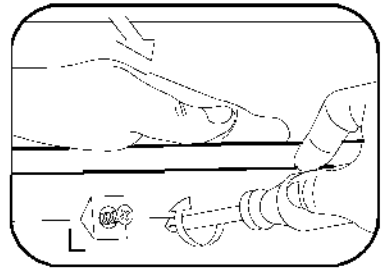
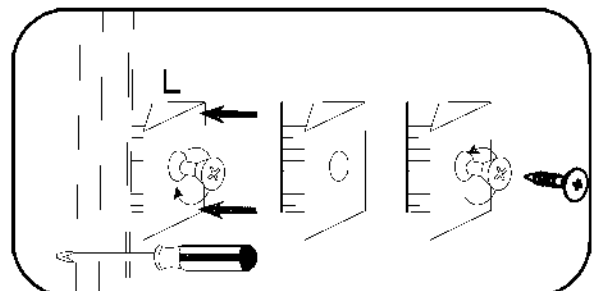
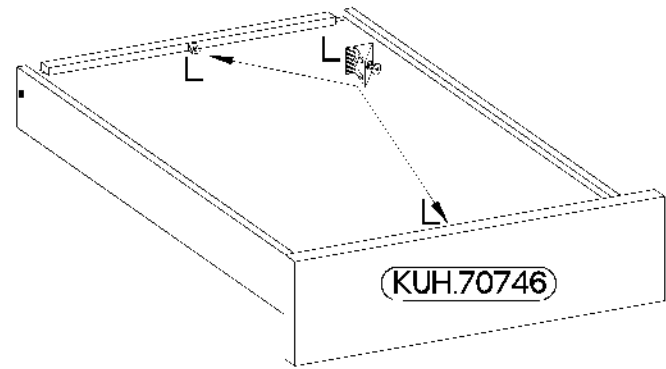
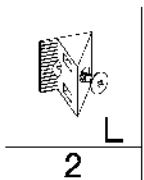
L=20mm  D2 2
--



4

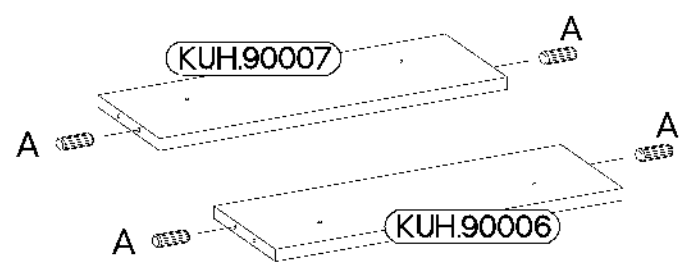
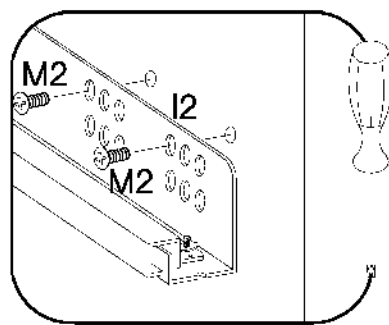
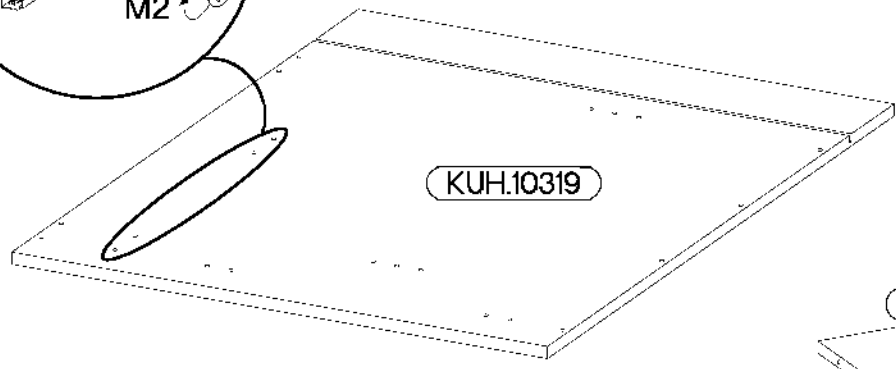
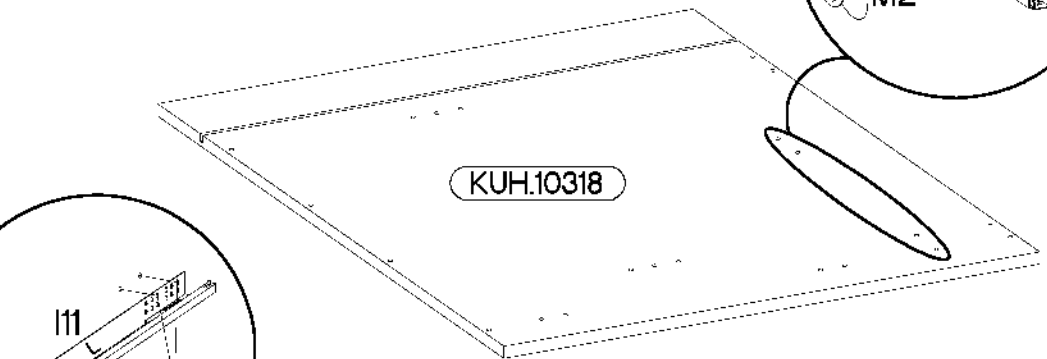
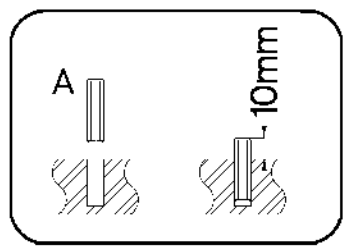
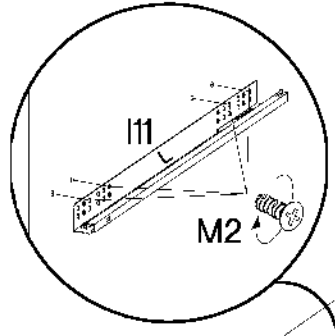
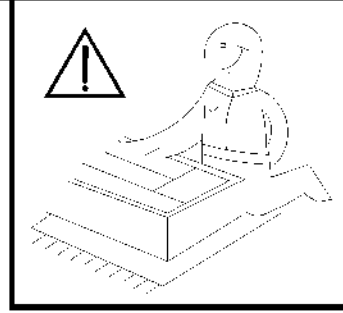
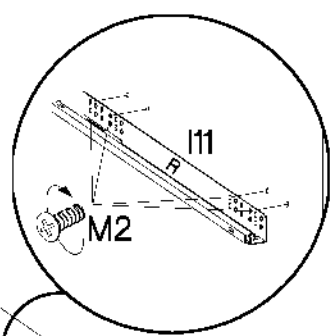


5



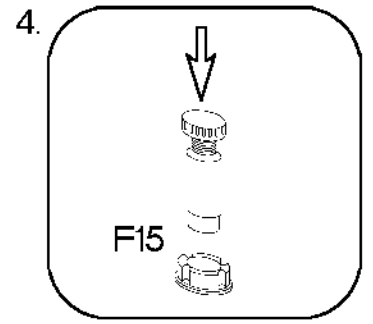
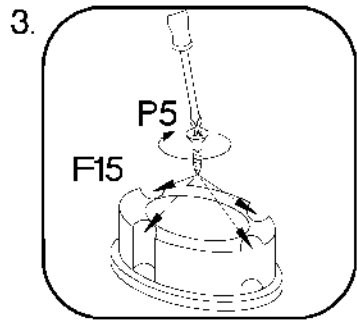
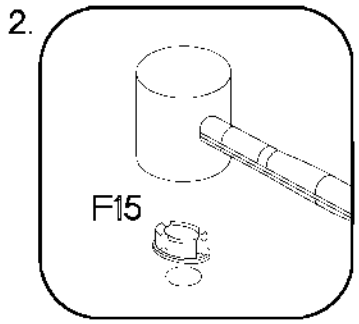
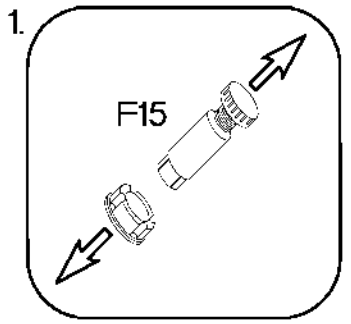
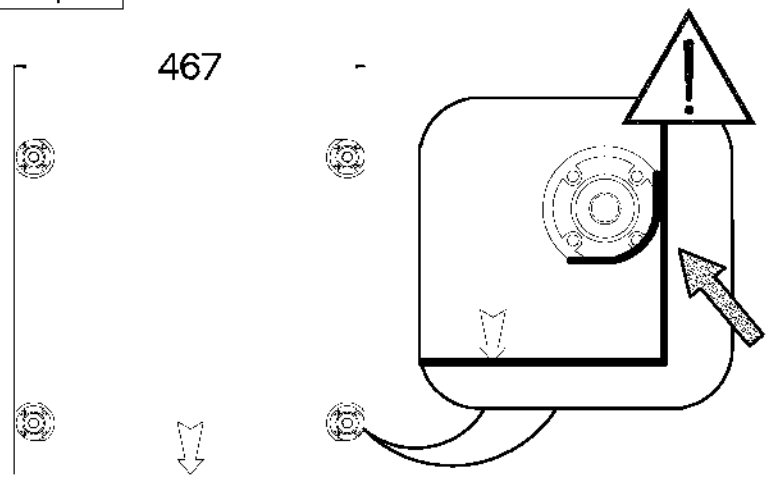
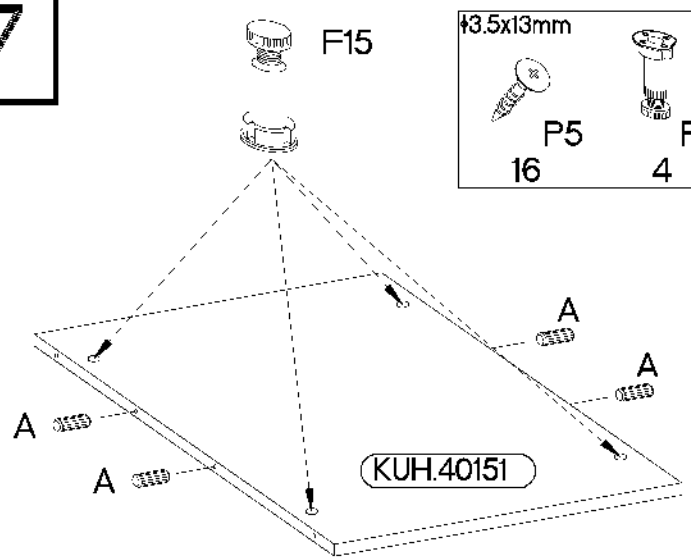
6

- 4 $\varnothing 8 \times 30 \text{mm}$
- 1 L=450mm
- 1 I11
- 8 $\varnothing 6.3 \times 13 \text{mm}$ M2



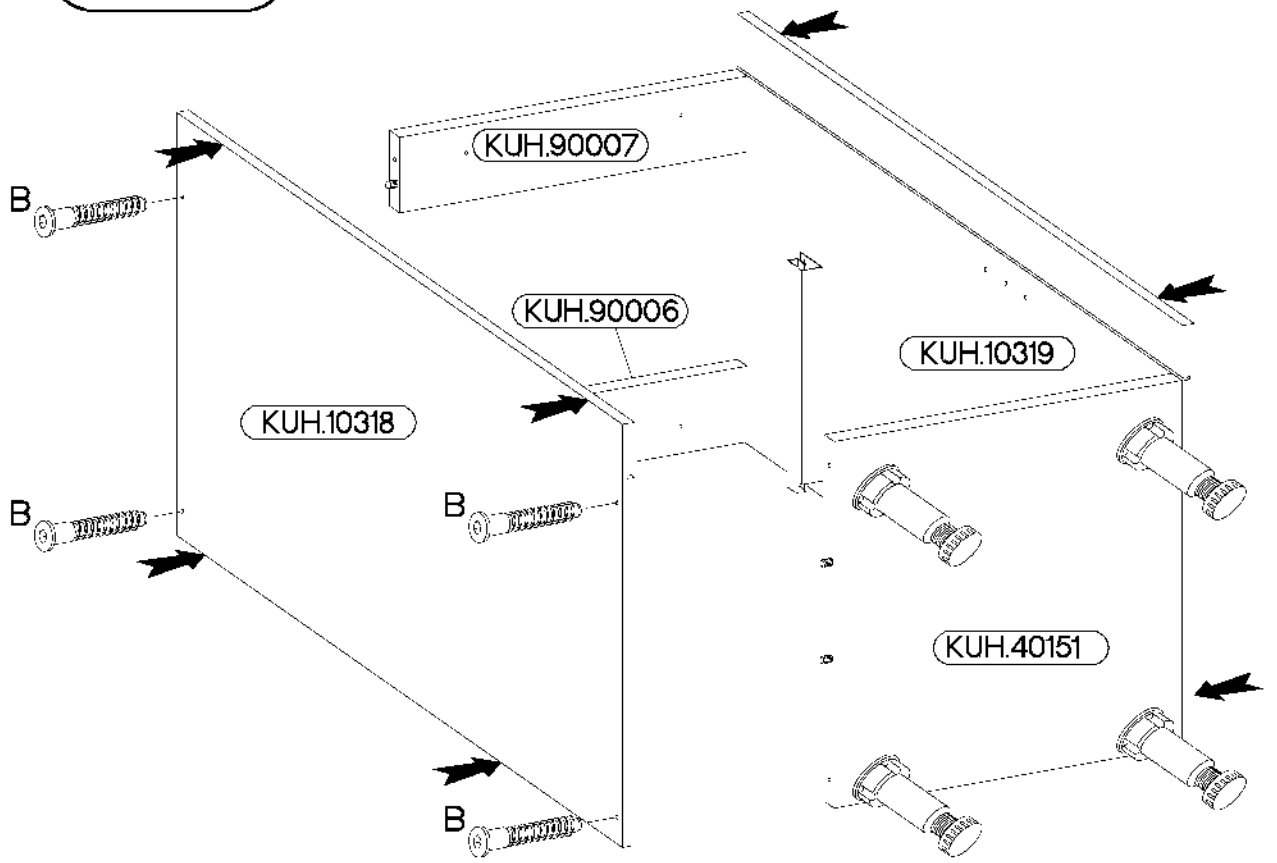
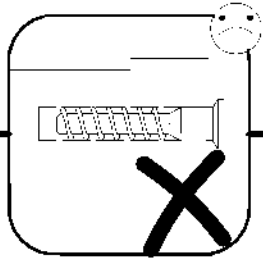
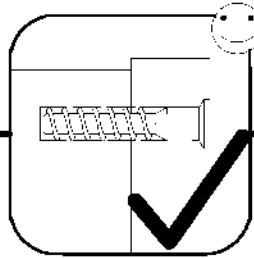
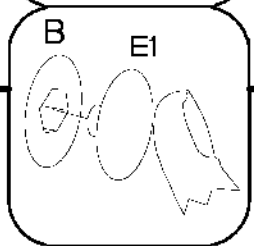
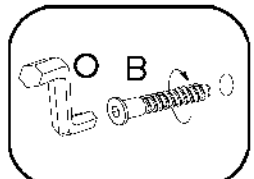
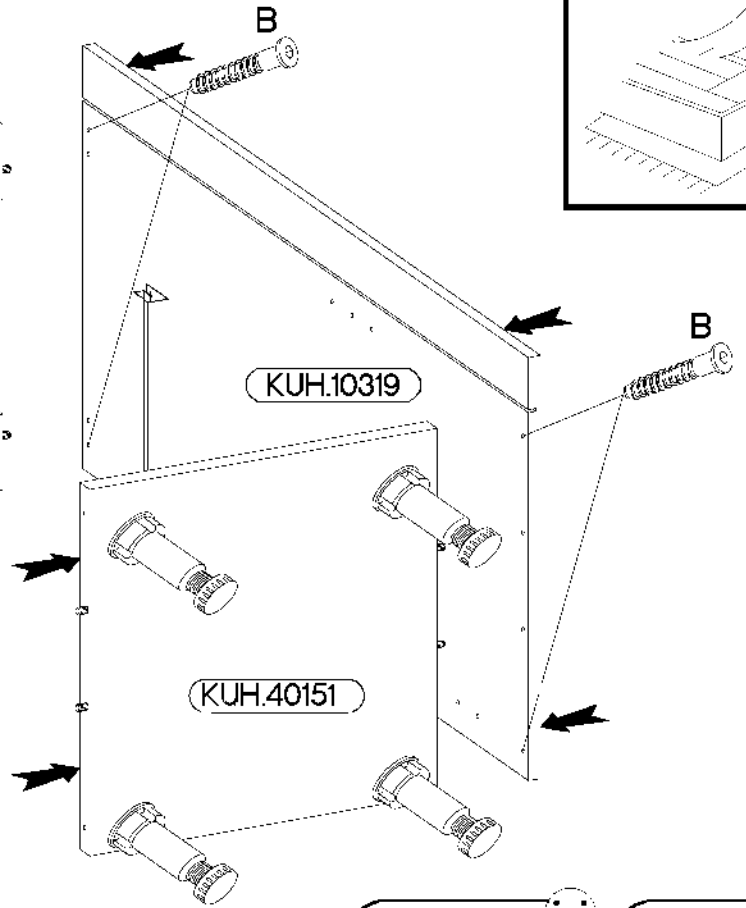
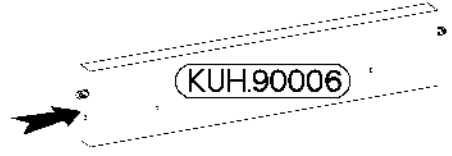
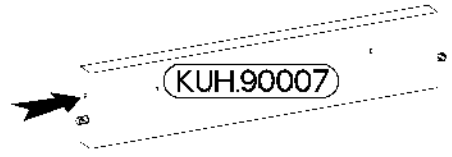
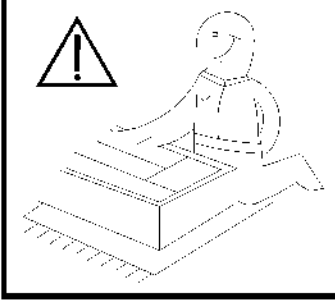
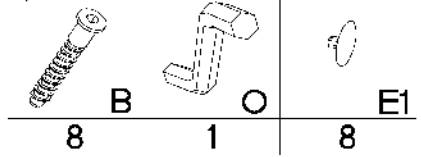
7

- 16 $\varnothing 3.5 \times 13 \text{mm}$ P5
- 4 F15
- 4 $\varnothing 8 \times 30 \text{mm}$ A





6,4 x 50mm

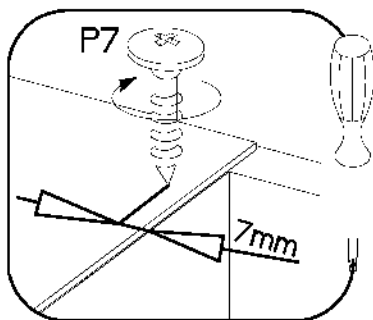
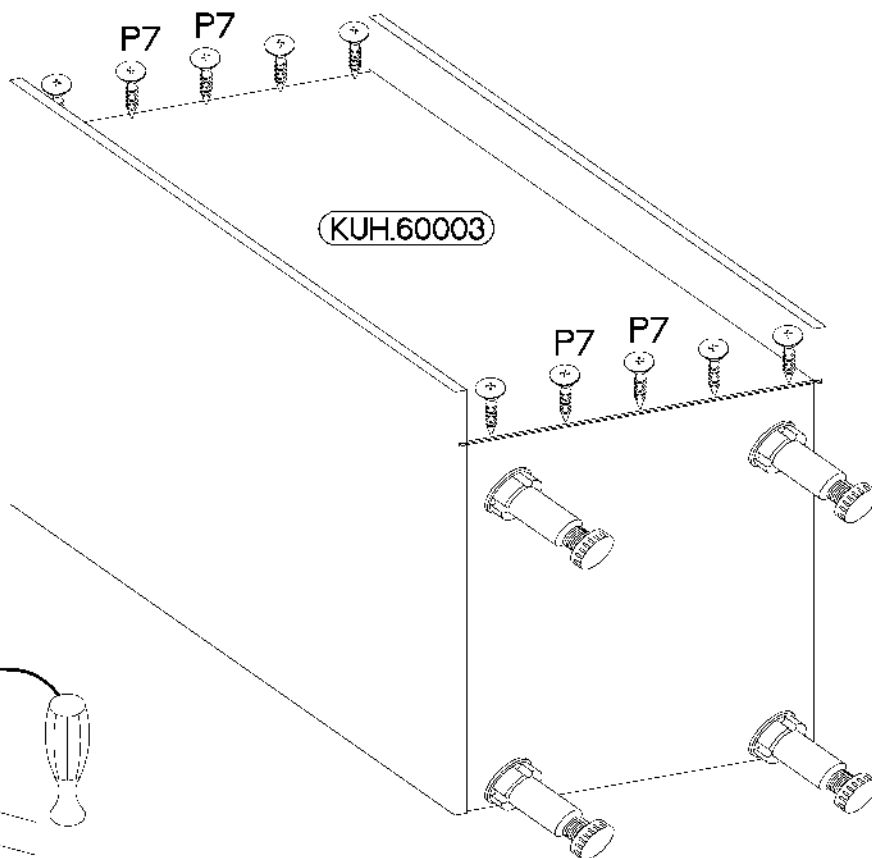
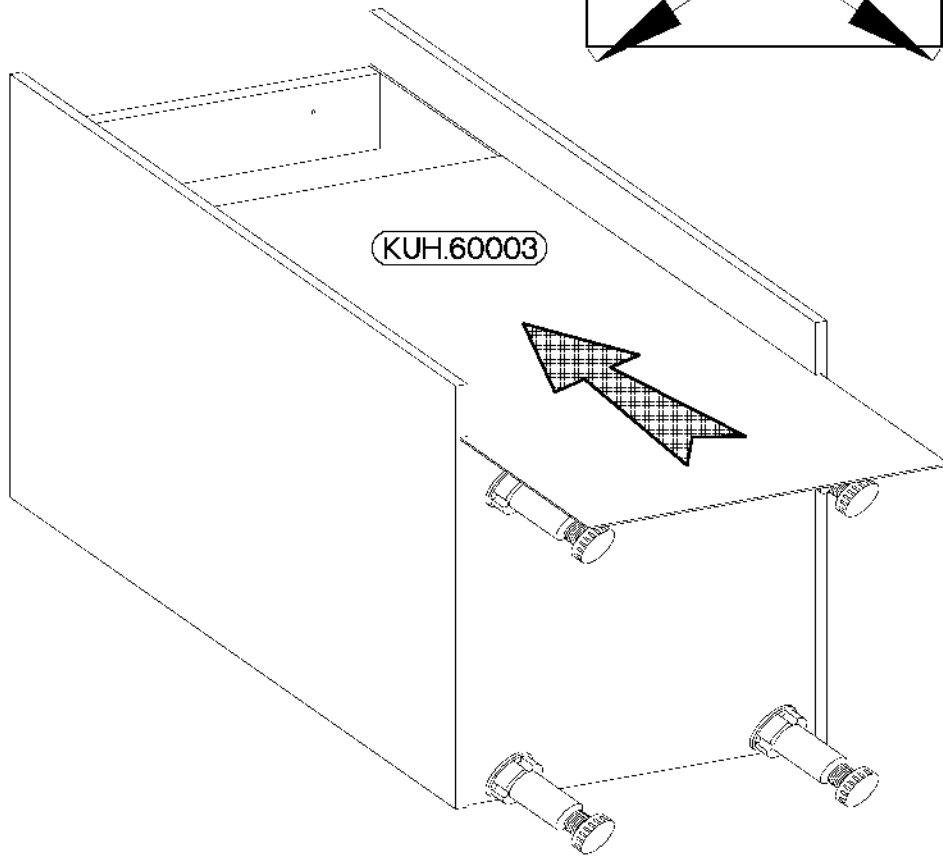
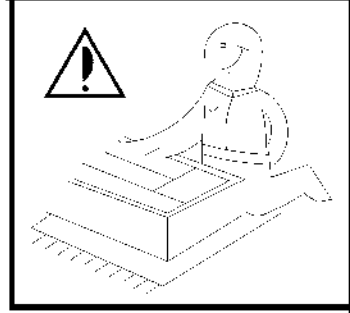
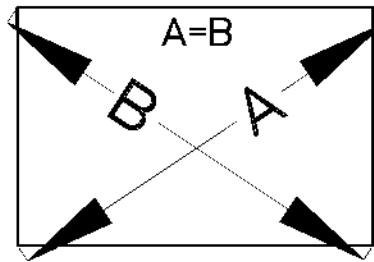


3.0x20mm



P7

8-10



1

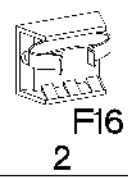
4.0x35mm 3.5x13mm



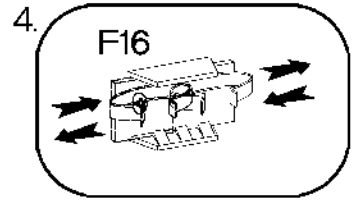
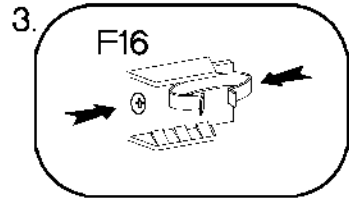
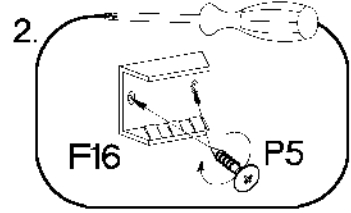
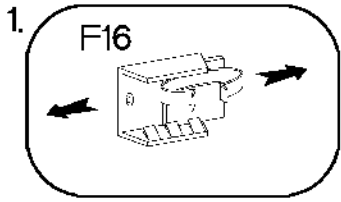
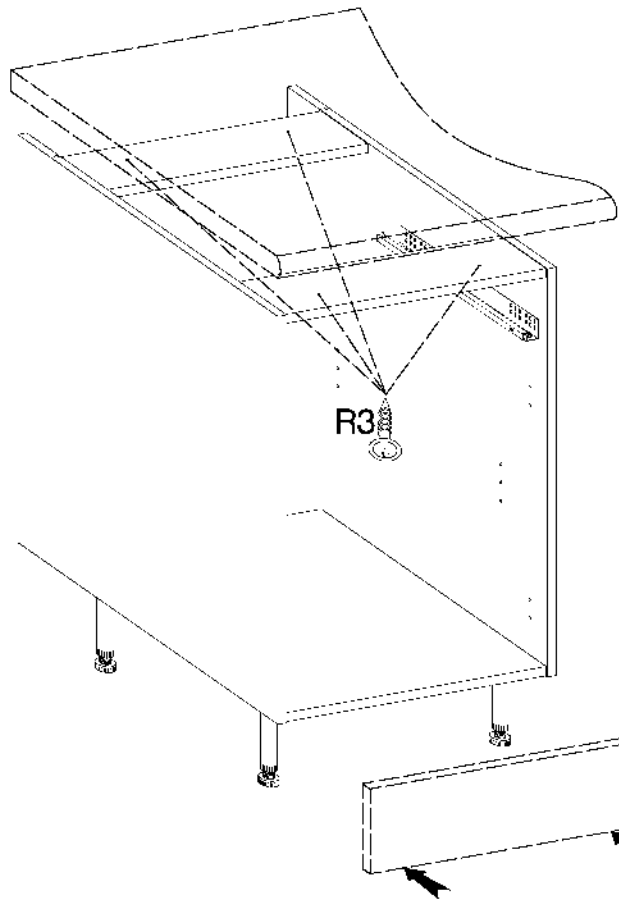
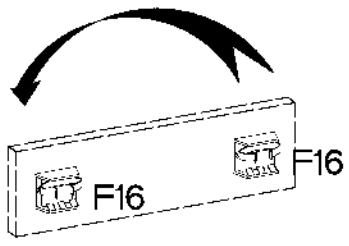
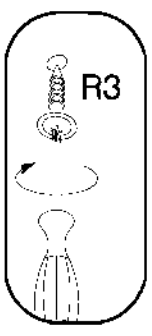
R3
4



P5
4



F16
2

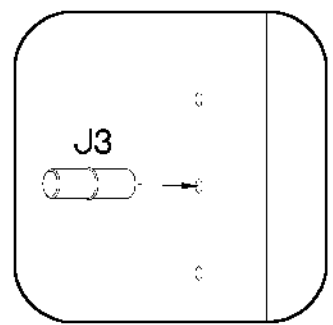
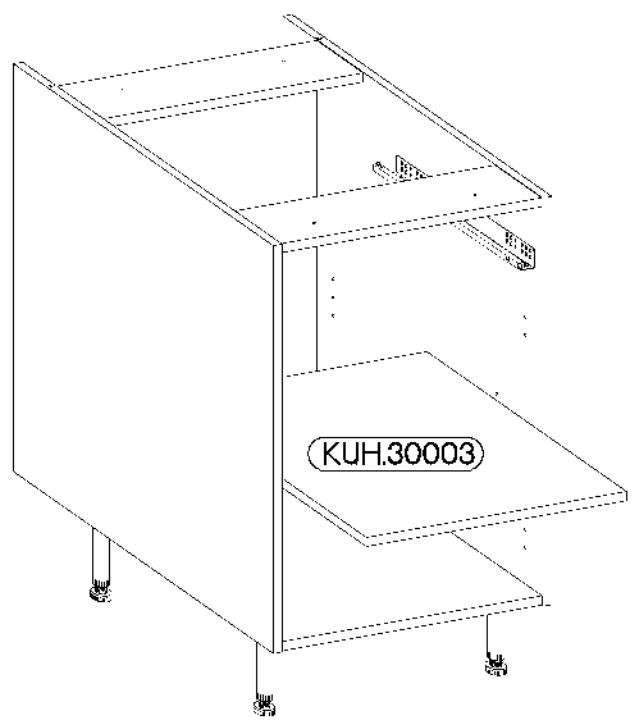


2

5/16mm

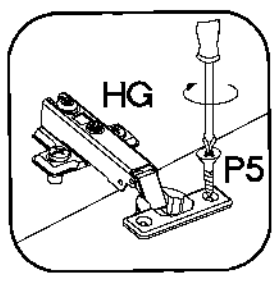
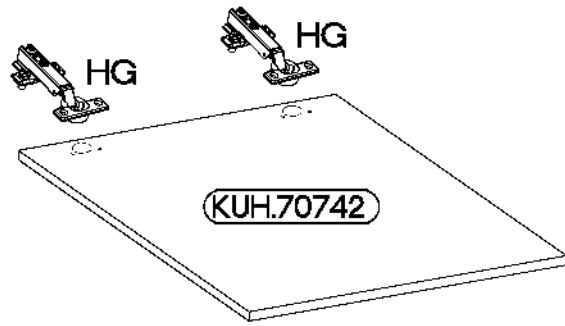


J3
4



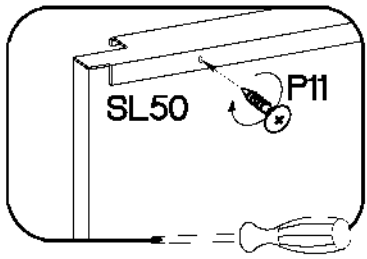
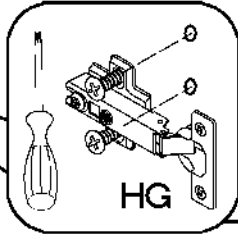
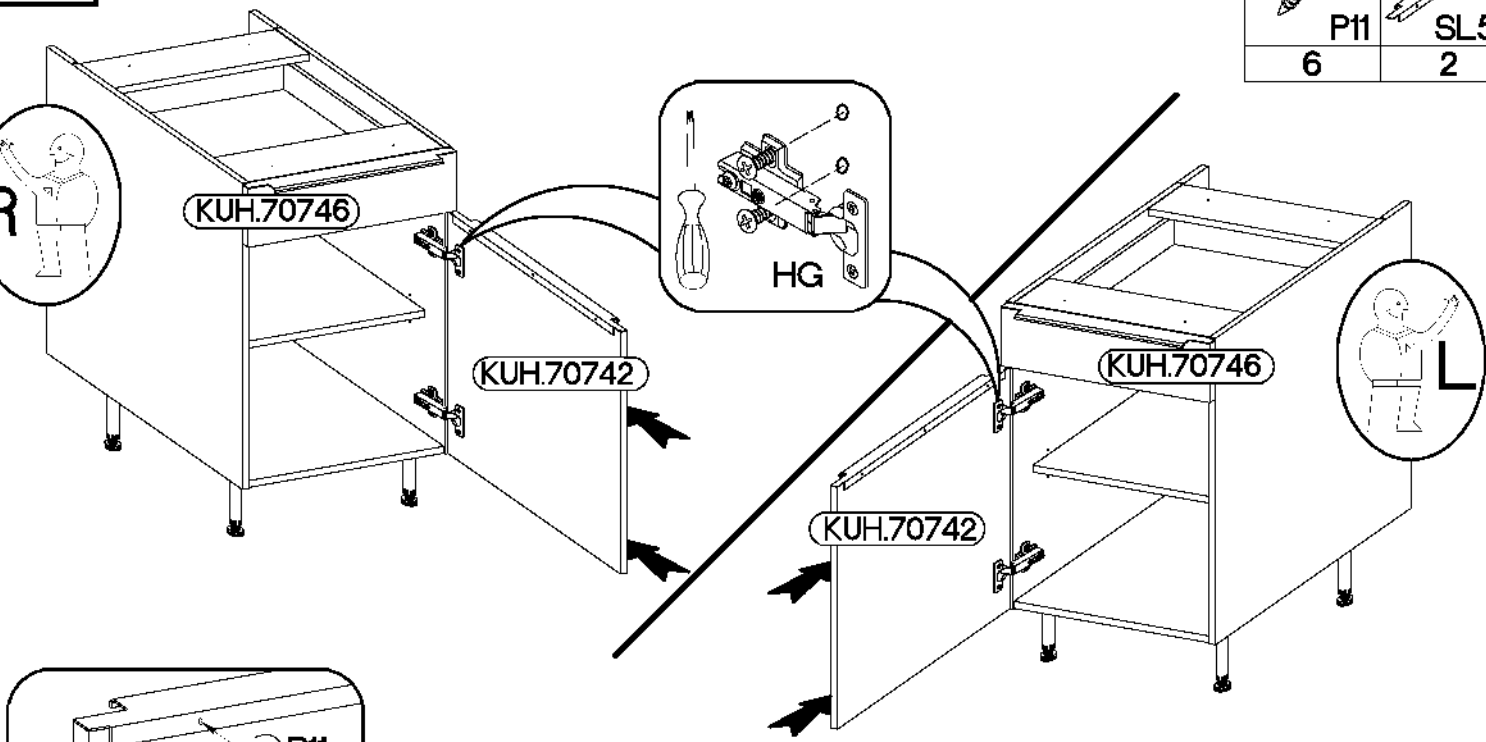
13

∅35/0mm HG 2	∅3.5x13mm P5 4
--------------------	----------------------

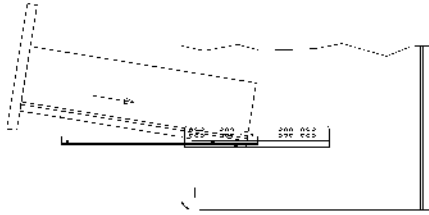


14

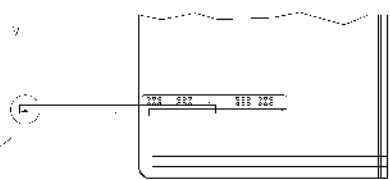
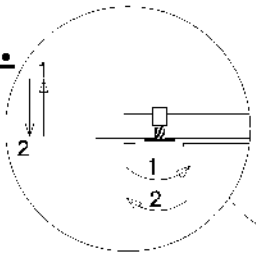
∅3.0x16mm P11 6	L=495mm SL50 2
-----------------------	----------------------



1.

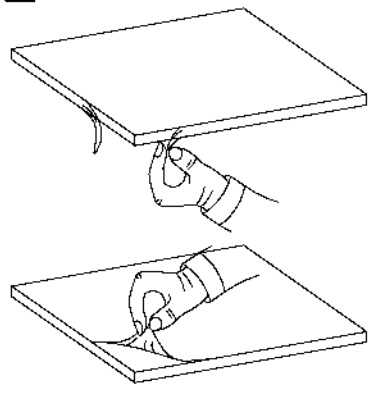


2.



VARIANT HIGH GLOSS

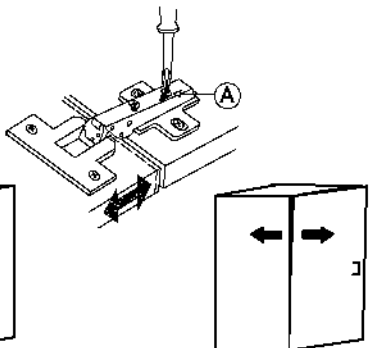
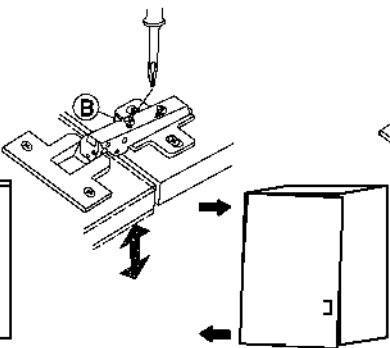
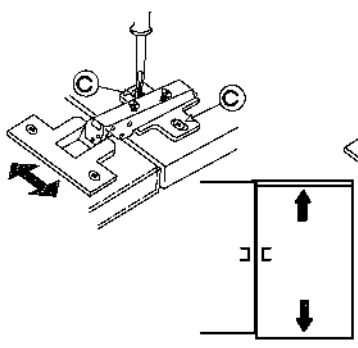
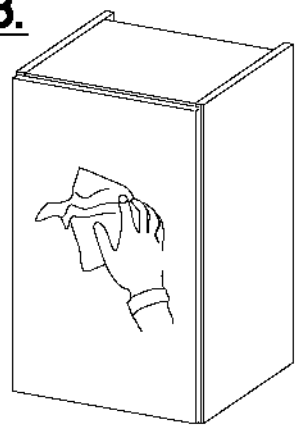
1.

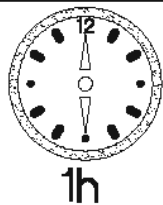
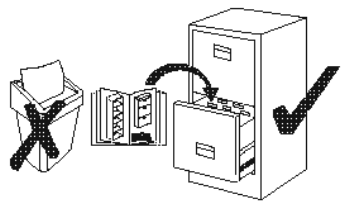
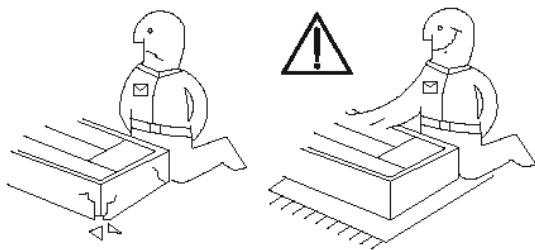
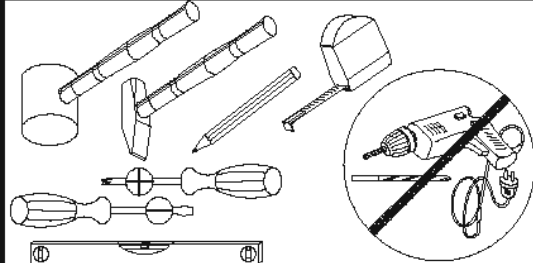
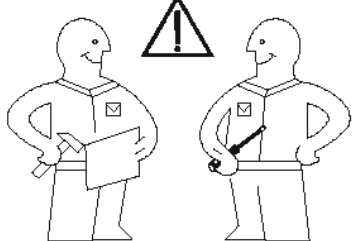


2.



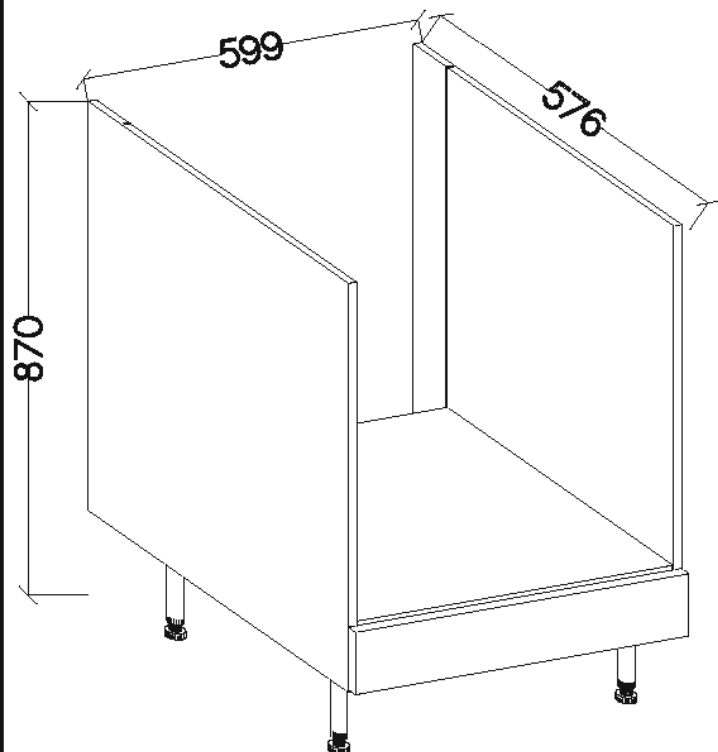
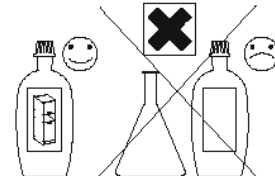
3.



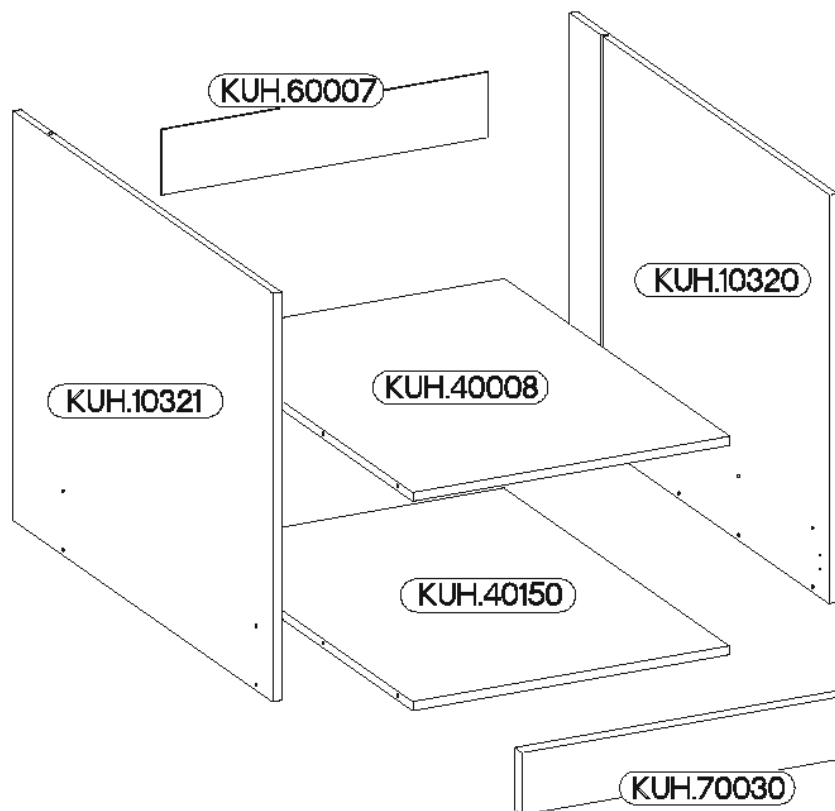


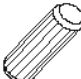

SAFADO / MARLEEN


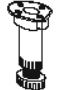





84-170-...
84-17B-...



respekta®



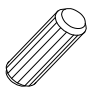
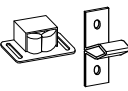

±8x30mm  A 8	6,4 x 50mm  B 8
---	---

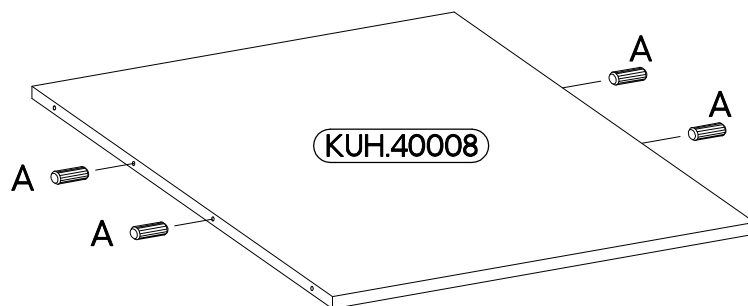
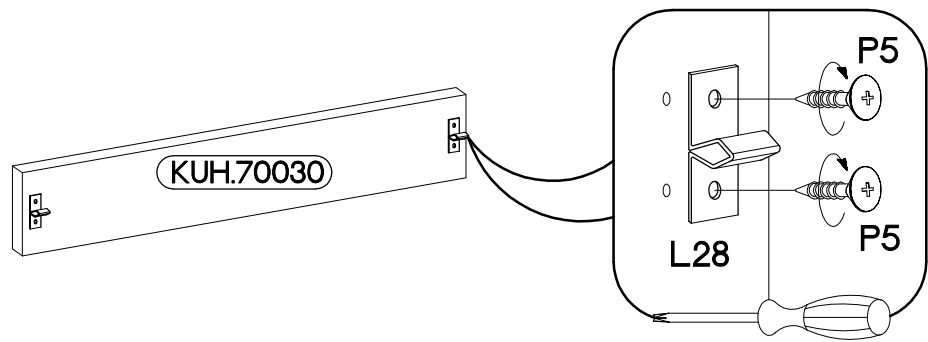
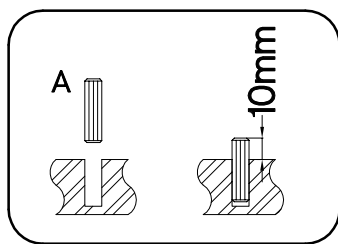
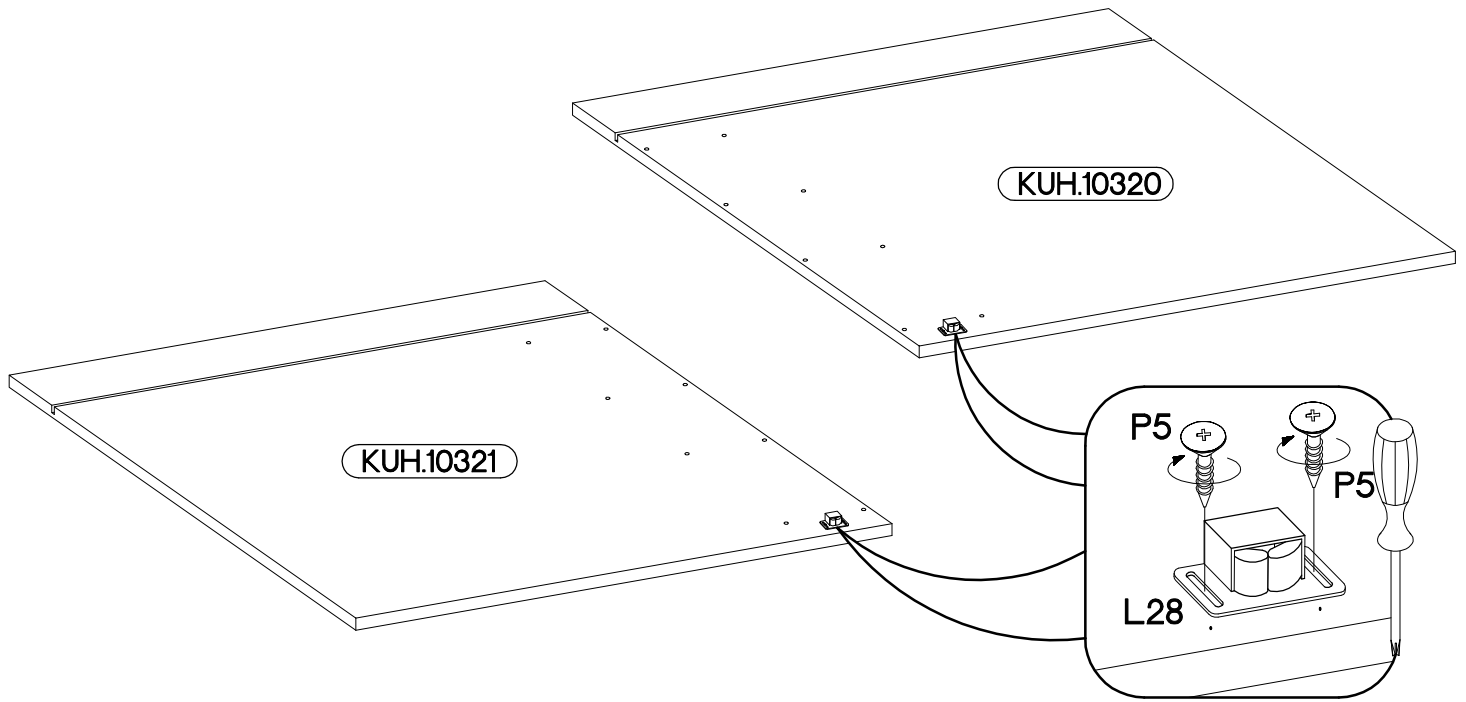
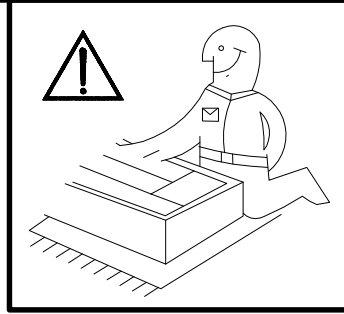
 E1 8	 F15 4	 F16 2	 L28 2	 O 1	±3.5x13mm  P5 28	±3.0x20mm  P7 8-10
---	---	---	---	---	--	--

Colli	Spare Part	Dimension
Colli 2/6	KUH.10320	720x560x16
	KUH.10321	720x560x16
	KUH.40008	567x485x16
	KUH.40150	567x485x16
	KUH.60007	585x115x2,5
	KUH.70030	596x110x16

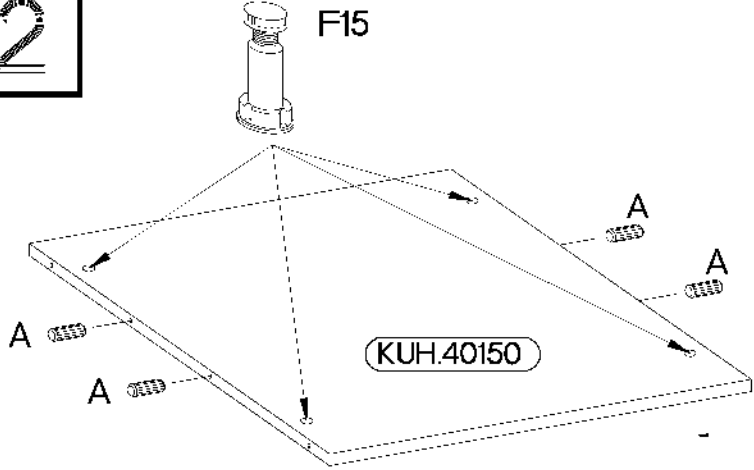
ISM-KUH-01601

1

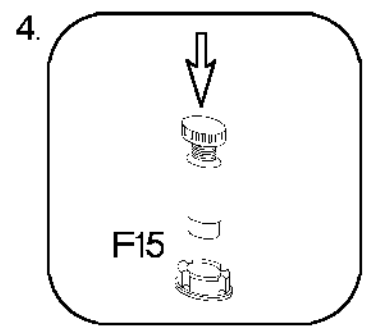
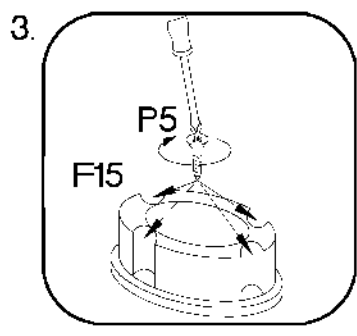
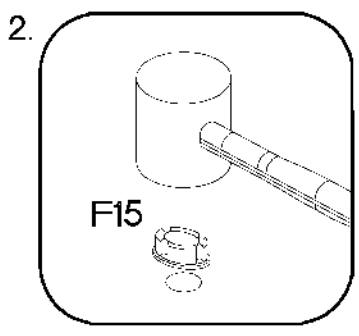
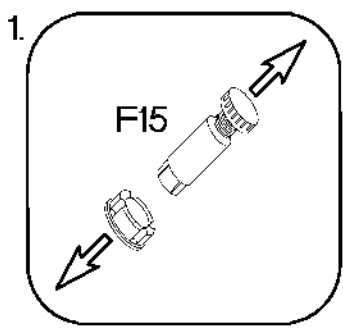
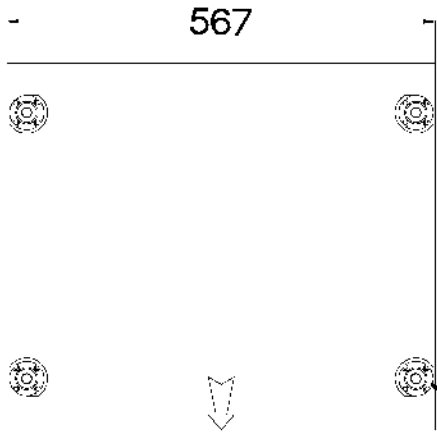
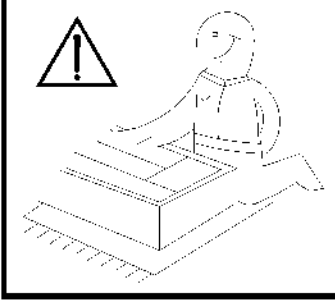
$\varnothing 8 \times 30 \text{mm}$  A	 L28	$\varnothing 3.5 \times 13 \text{mm}$  P5
4	2	8



2

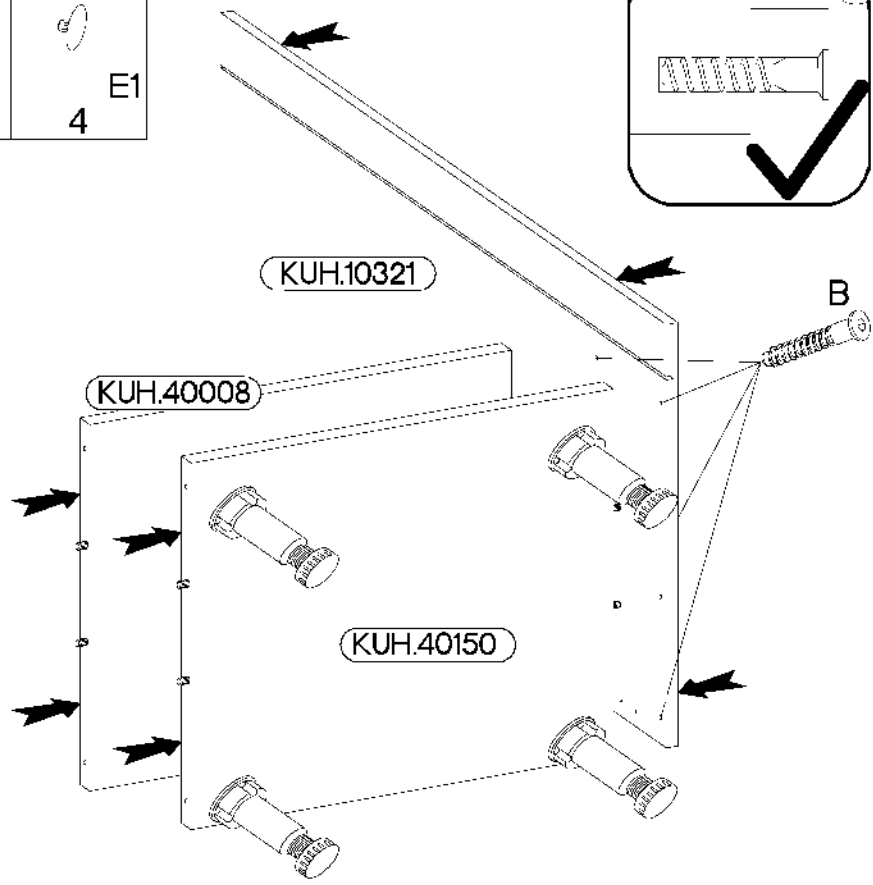
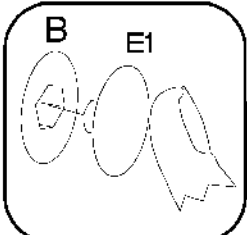
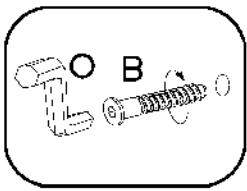
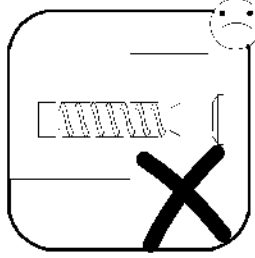
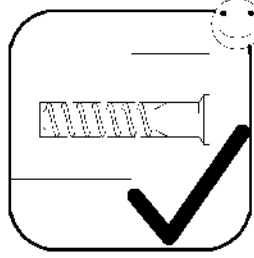


	$\pm 3.5 \times 13 \text{mm}$	$\pm 8 \times 30 \text{mm}$
F15	P5	A
4	16	4



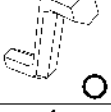
3

$6.4 \times 50 \text{mm}$			
	B	O	E1
	4	1	4



4

6,4 x 50mm



B

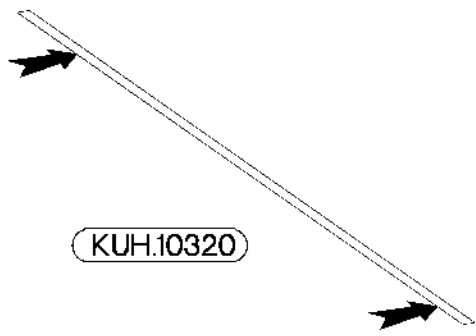
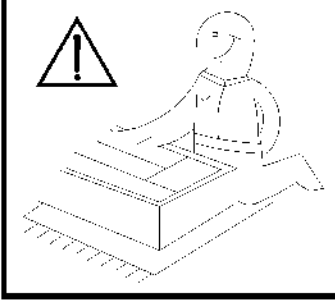
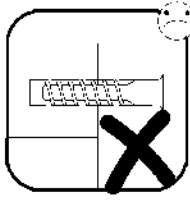
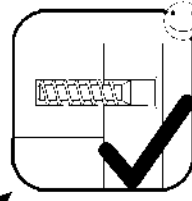
O

E1

4

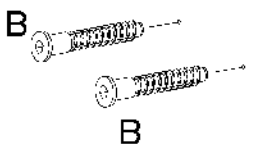
1

4



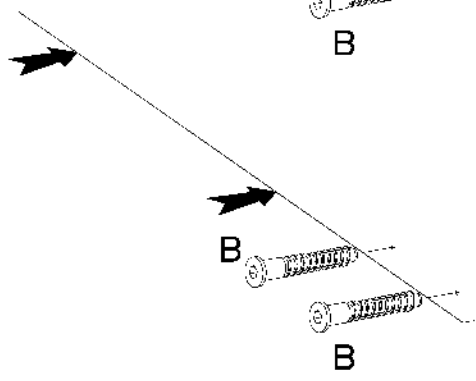
KUH.10320

KUH.10321



B

B

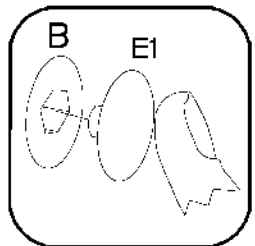
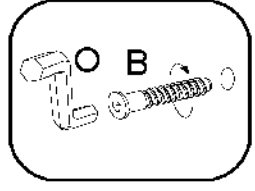


B

B

KUH.40008

KUH.40150



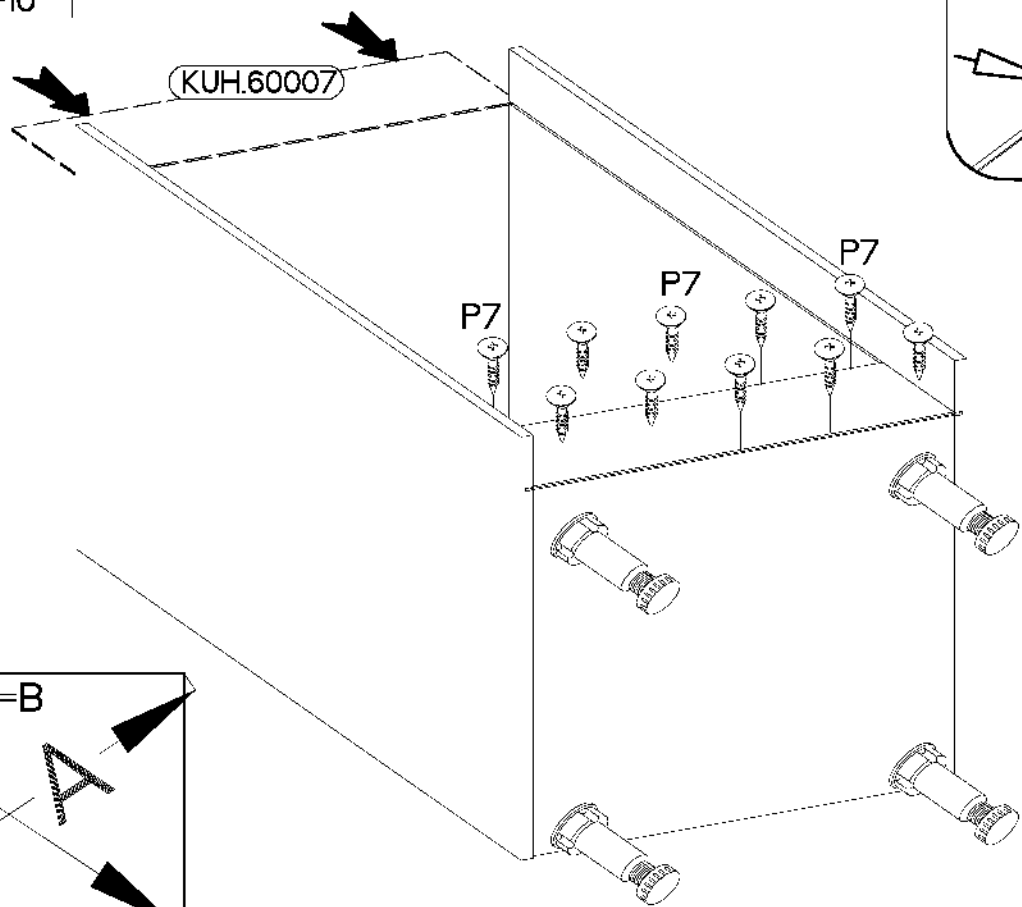
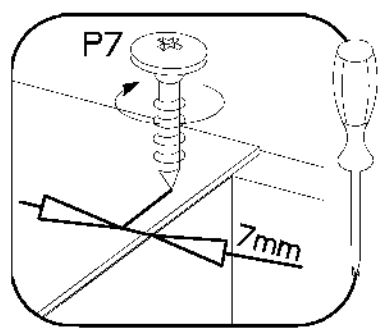
5

+3.0x20mm



P7

8-10

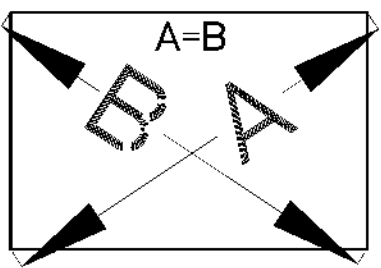


KUH.60007

P7

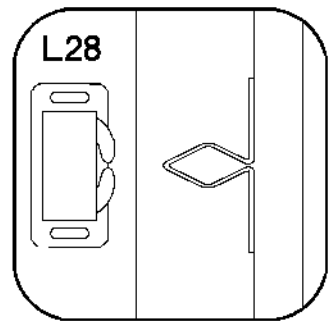
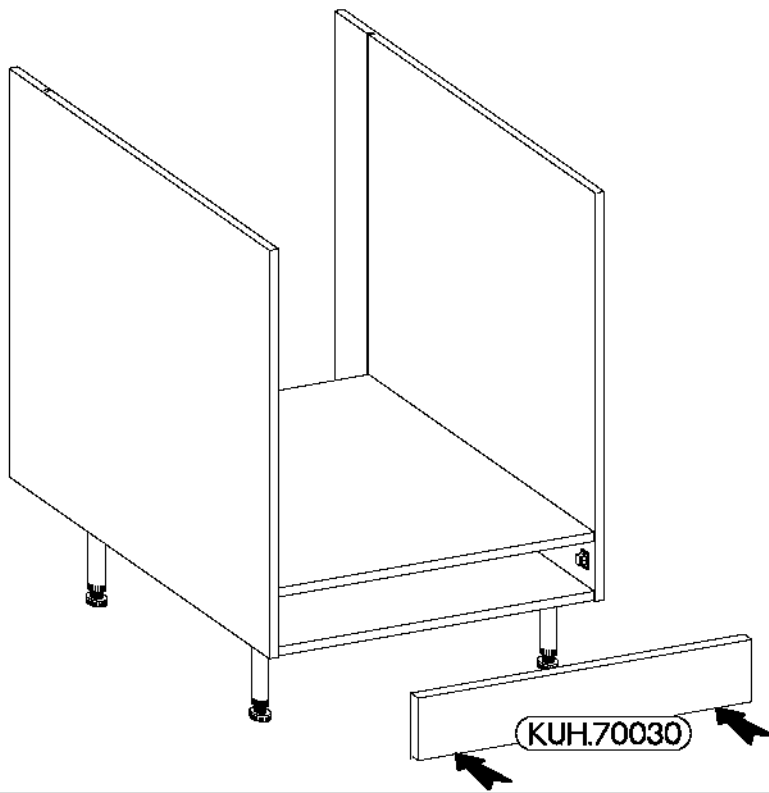
P7

P7



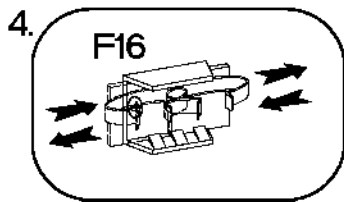
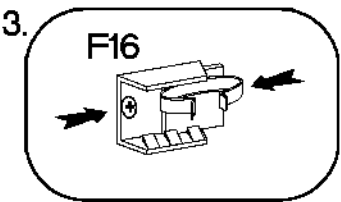
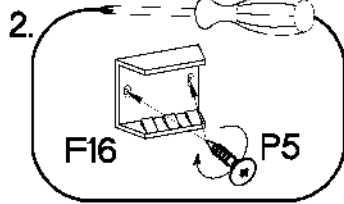
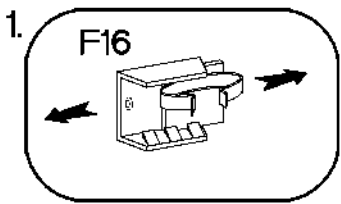
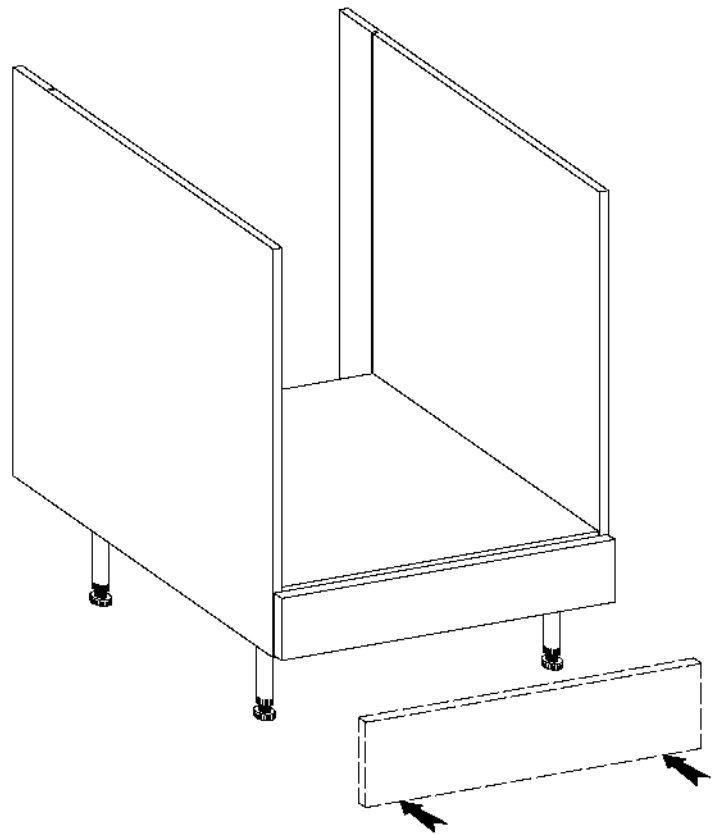
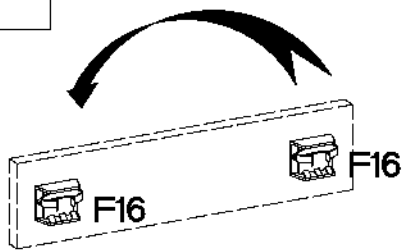
A=B

6

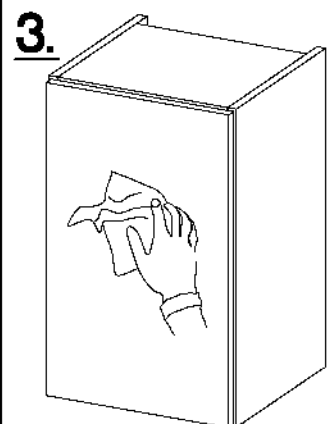
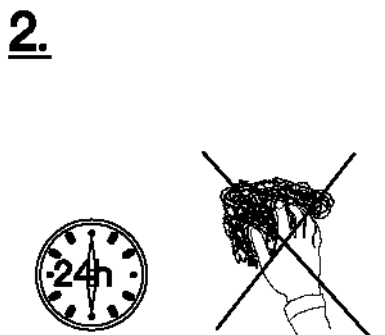
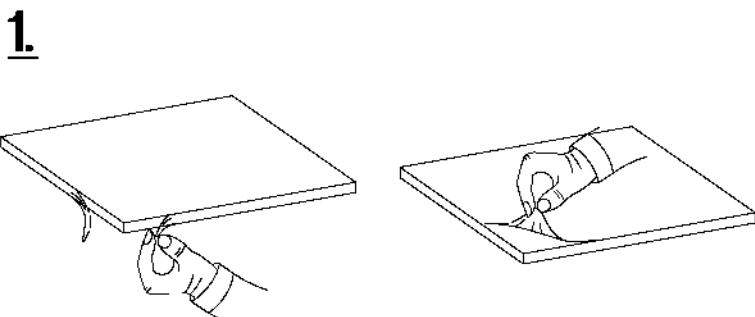


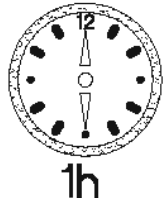
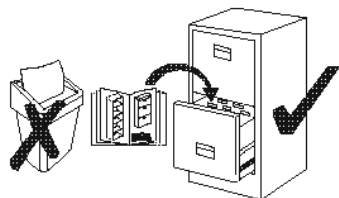
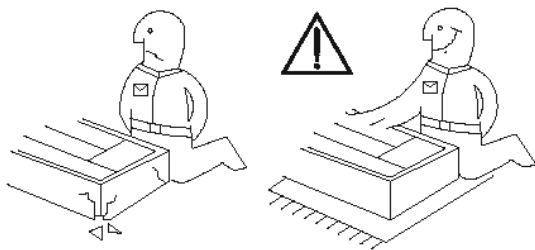
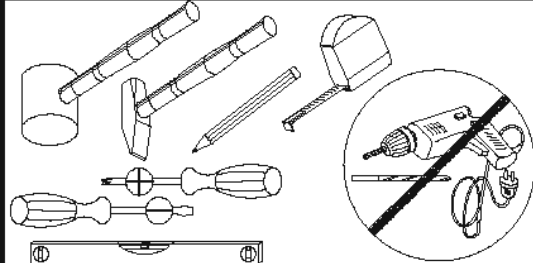
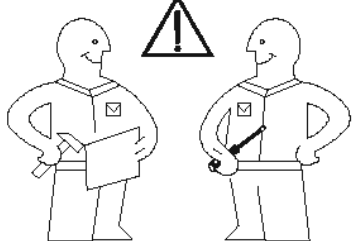
7

 P5 4	 F16 2
-------------	--------------



VARIANT HIGH GLOSS





SAFADO / MARLEEN

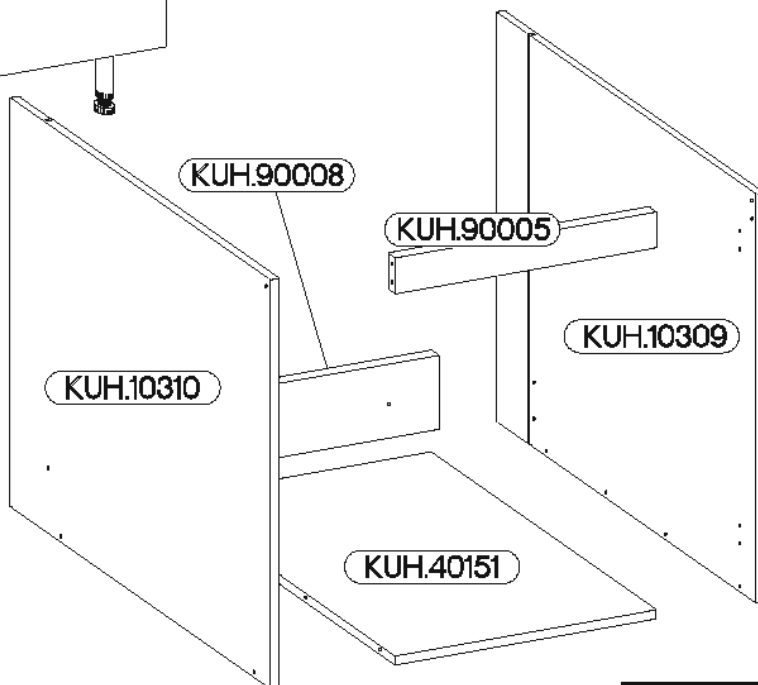
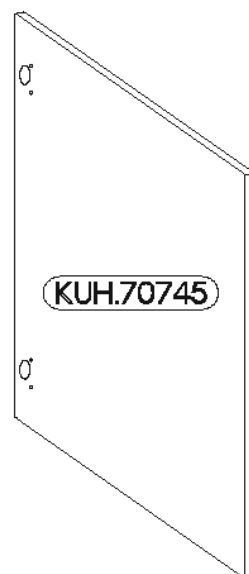
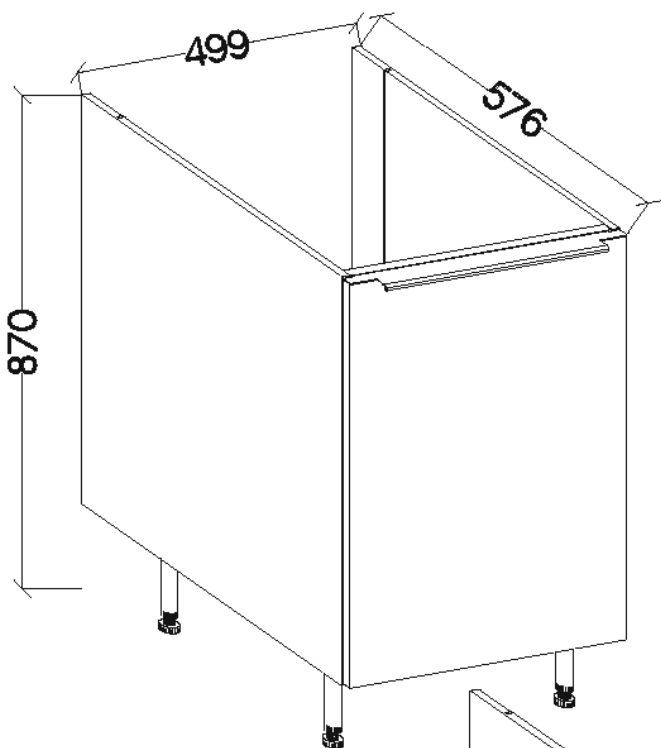
84-170-...
84-176-...
84-17C-...



respekta®



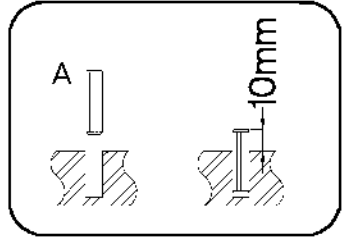
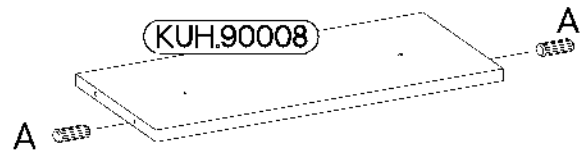
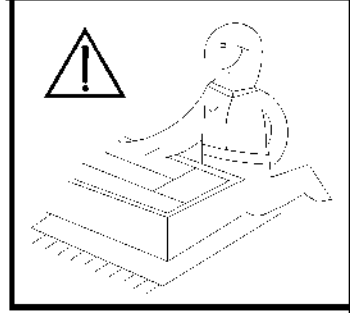
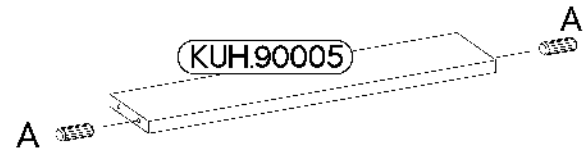
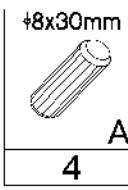
KUH.40151



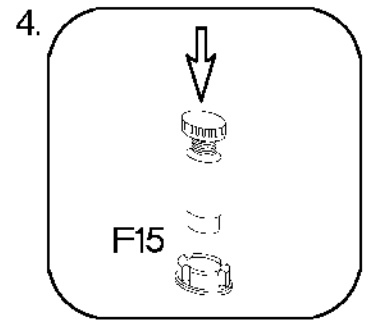
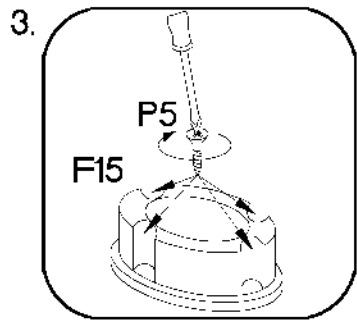
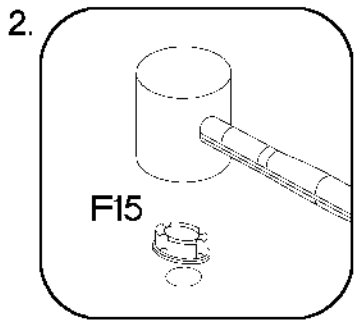
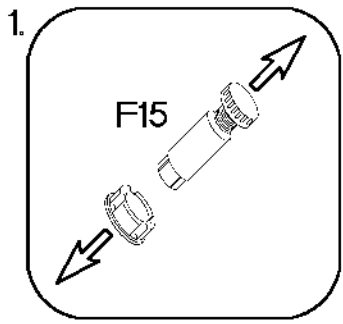
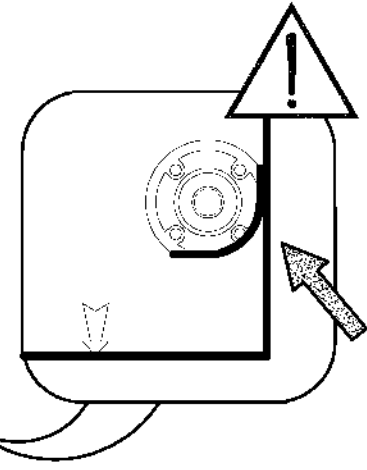
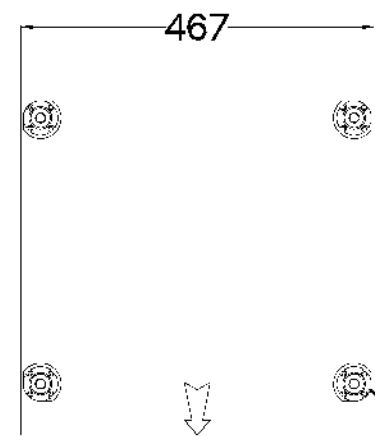
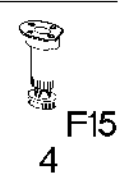
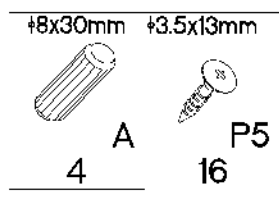
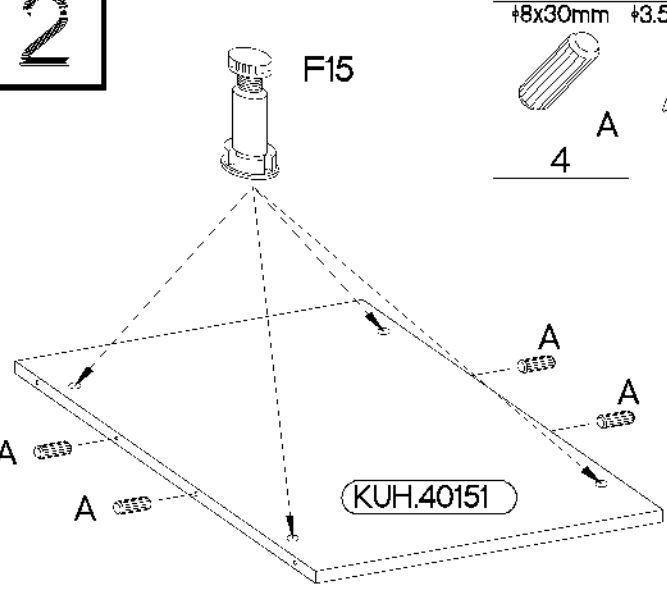
±8x30mm A 8	6,4 x 50mm B 8	 E1 8	 L37 2	 L38 2
 F15 4	 F16 2	±35/0mm HG 2	 O 1	±3.5x13mm P5 32
				±3.0x16mm P11 17
				L=495mm SL50 1
				 T10 2

Colli	Spare Part	Dimension
Colli 3/6	KUH.10309	720x560x16
	KUH.10310	720x560x16
	KUH.40151	467x485x16
	KUH.70745	711x496x16
	KUH.90005	467x63x16
	KUH.90008	467x130x16

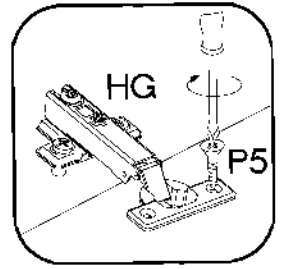
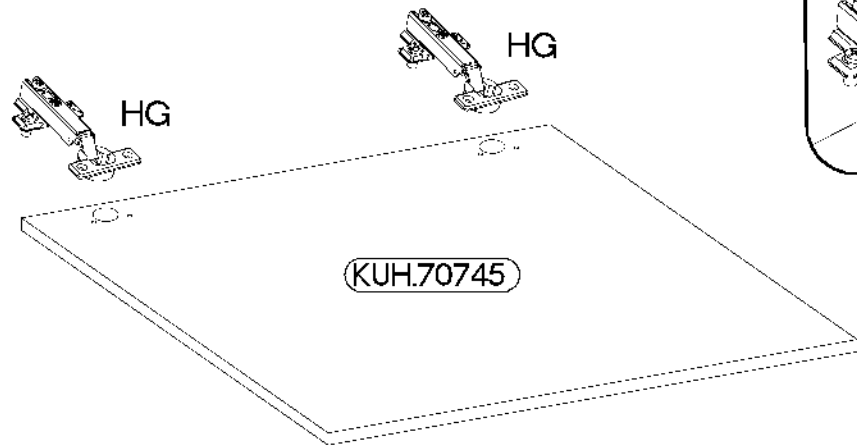
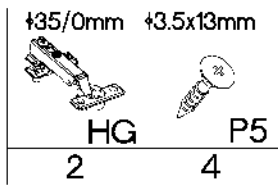
ISM-KUH-01603



2

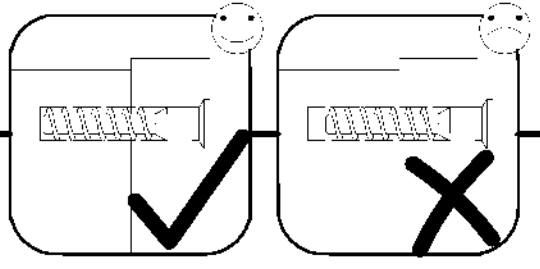
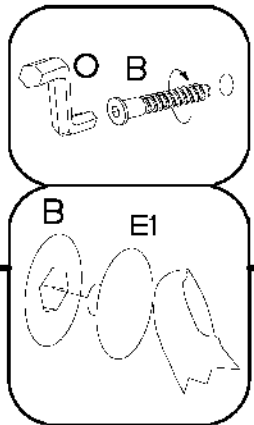
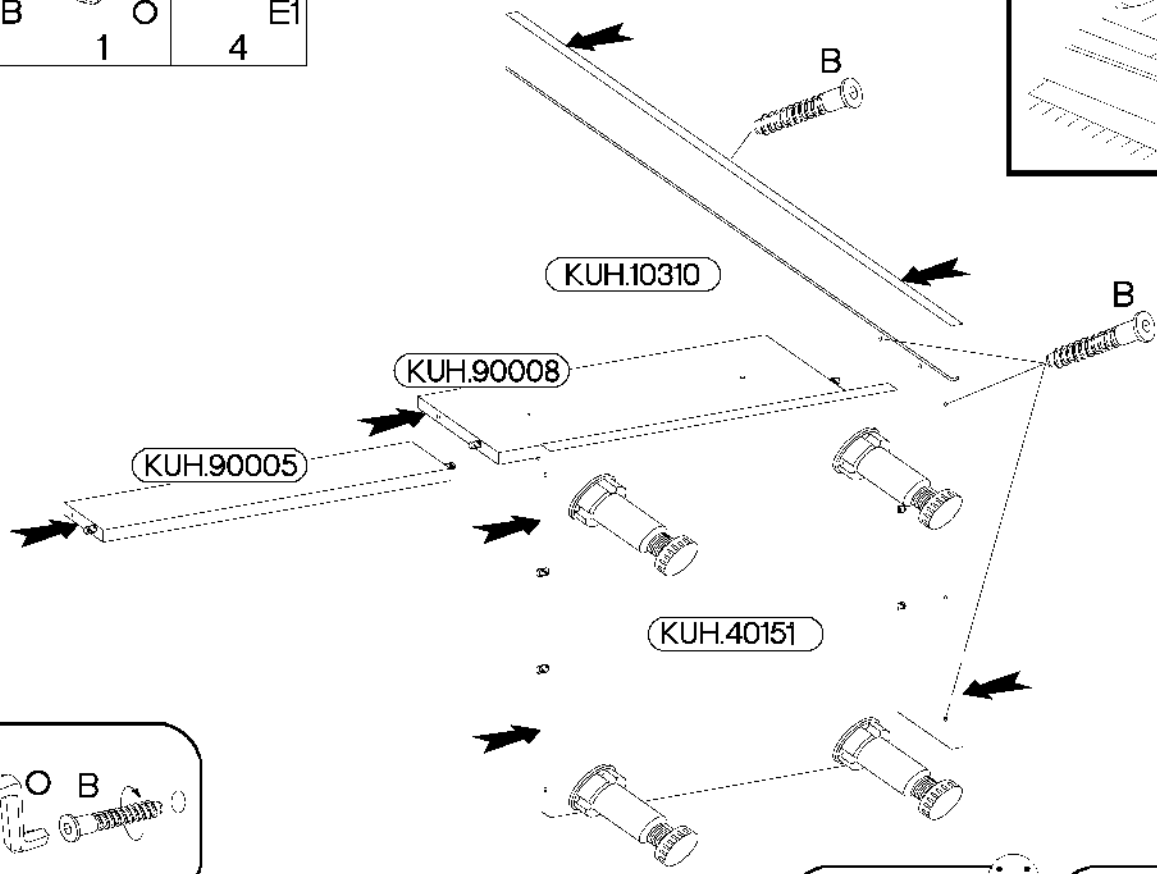
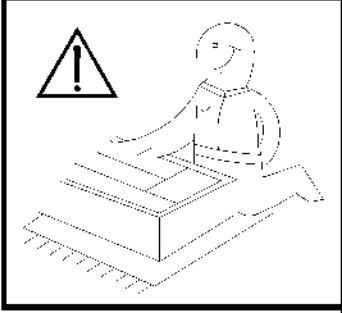
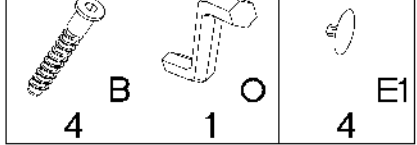


3

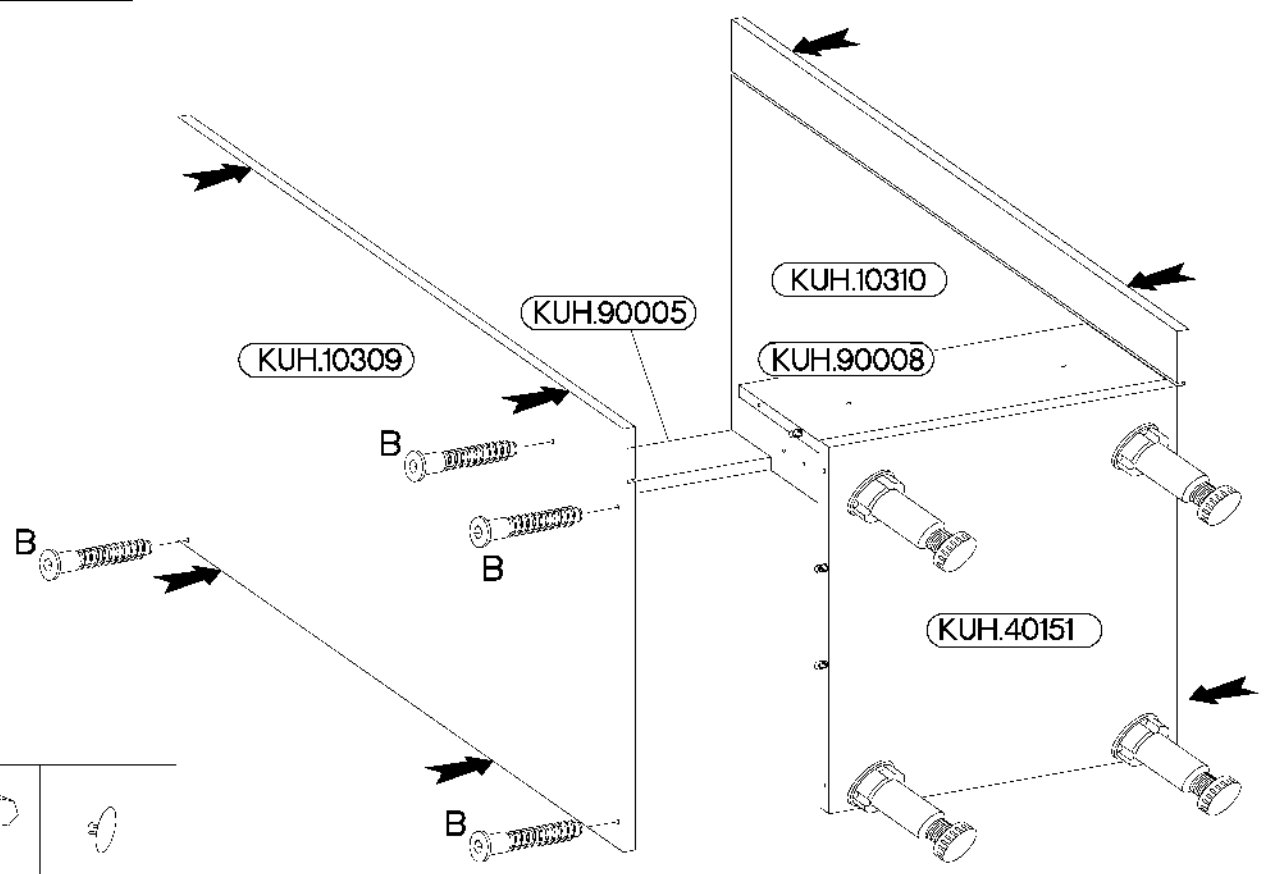


4

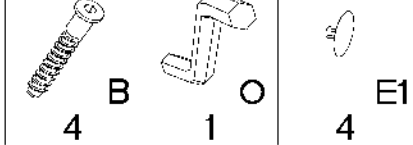
6,4 x 50mm



5



6,4 x 50mm



6

+3.5x13mm



P5

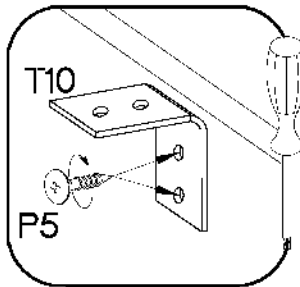
8



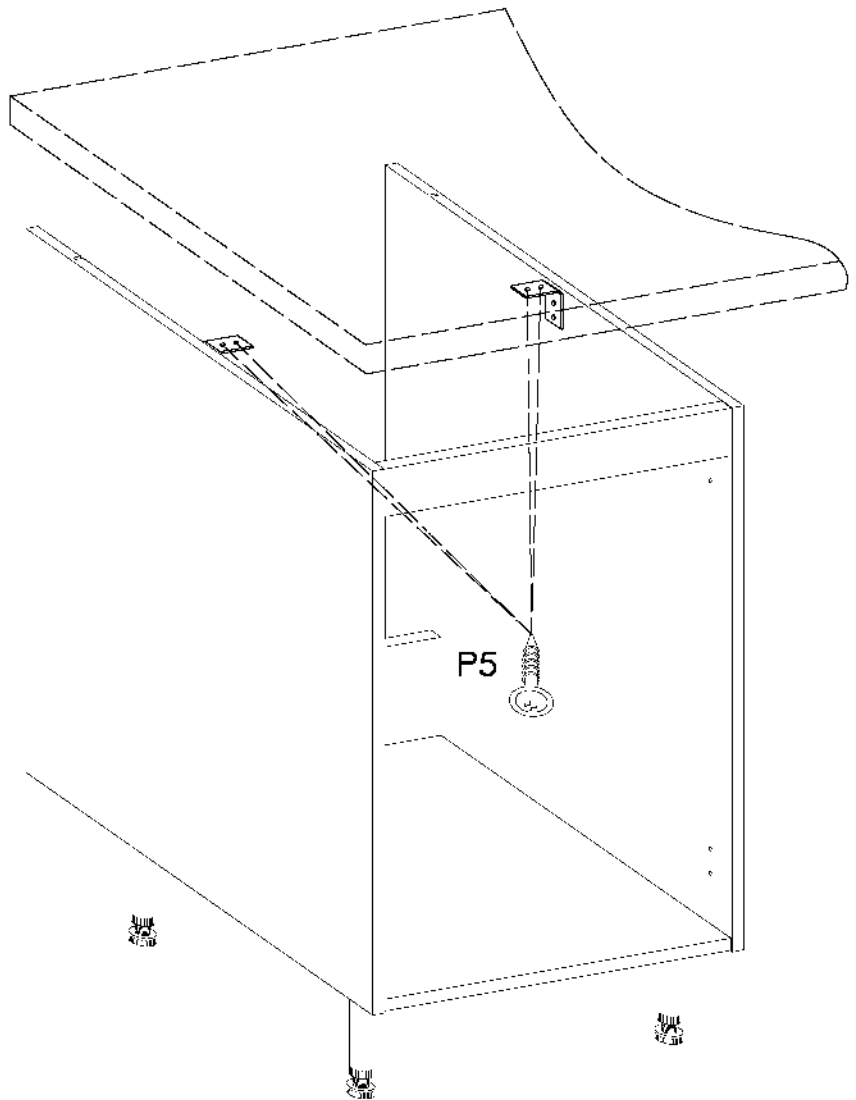
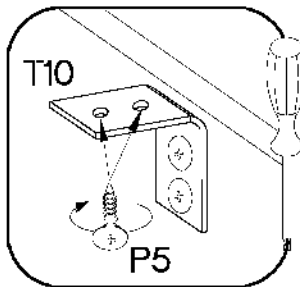
T10

2

1.



2.

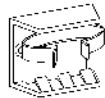
**7**

+3.5x13mm



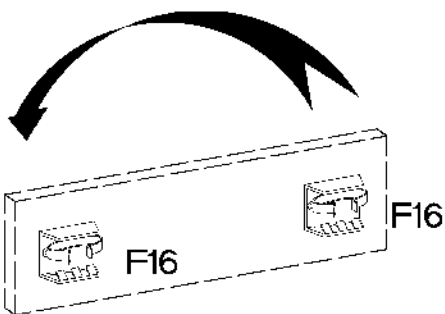
P5

4

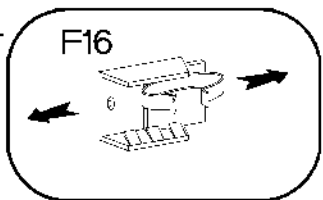


F16

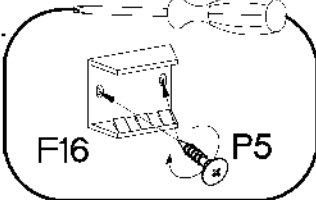
2



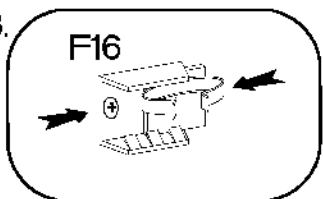
1.



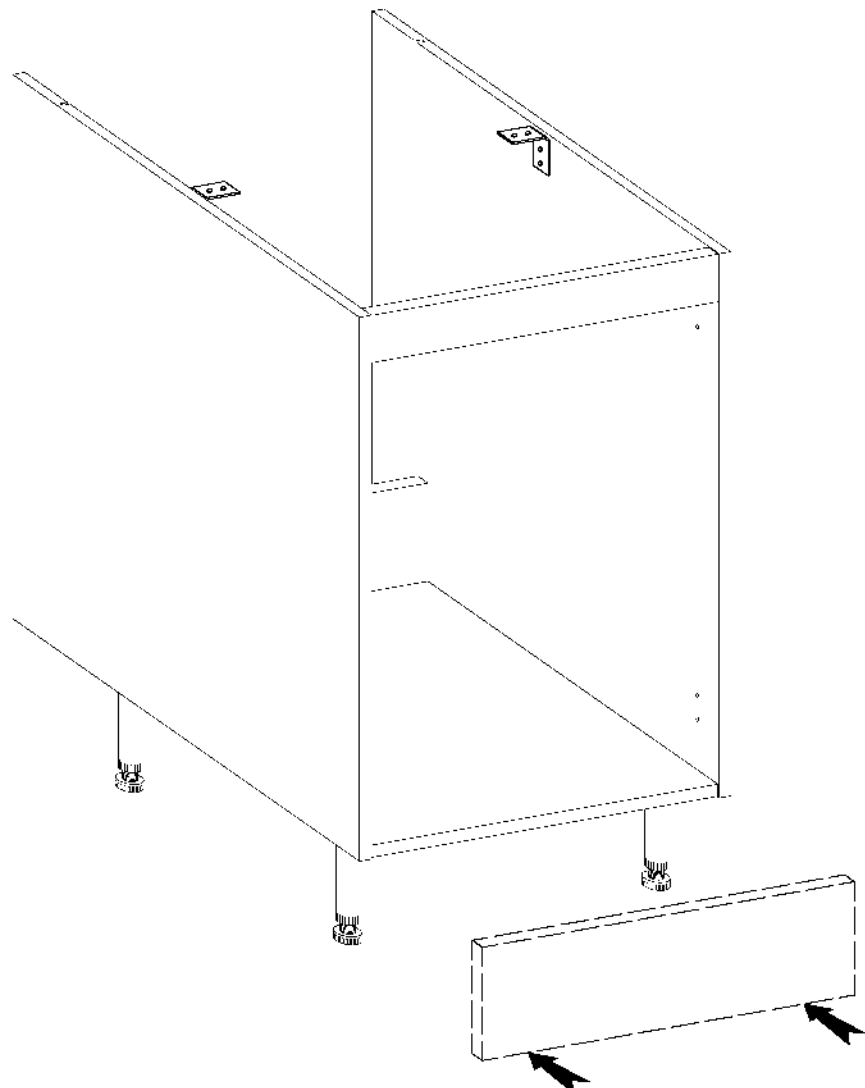
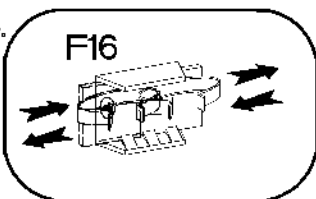
2.





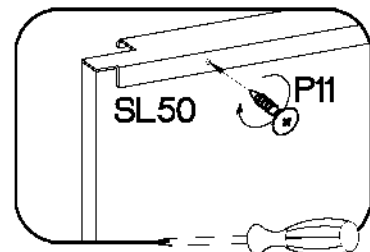
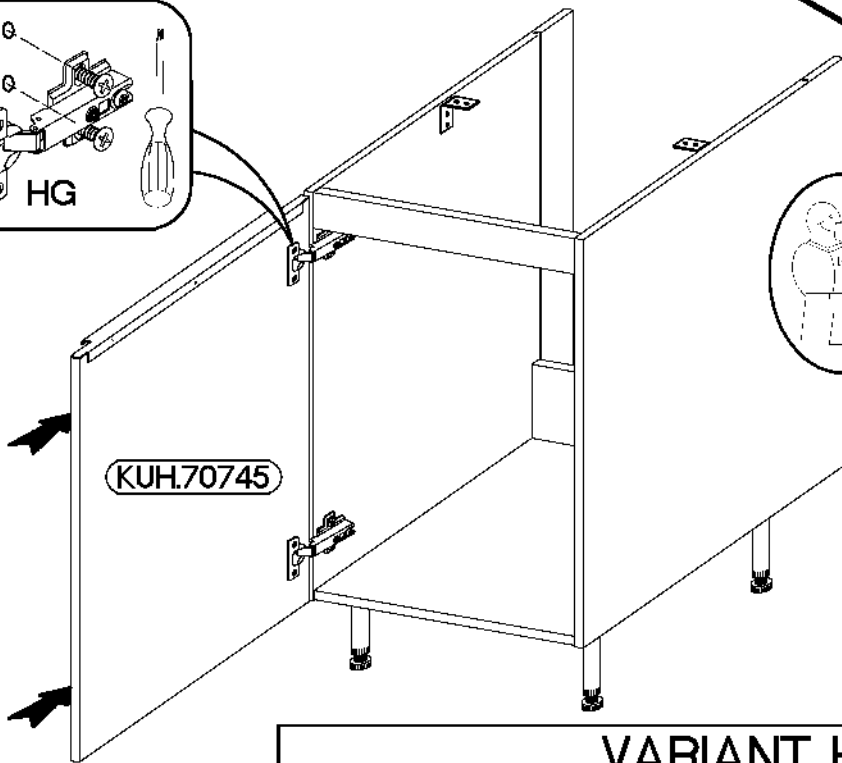
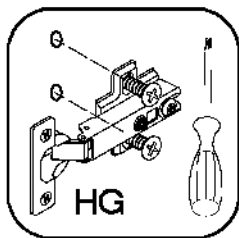
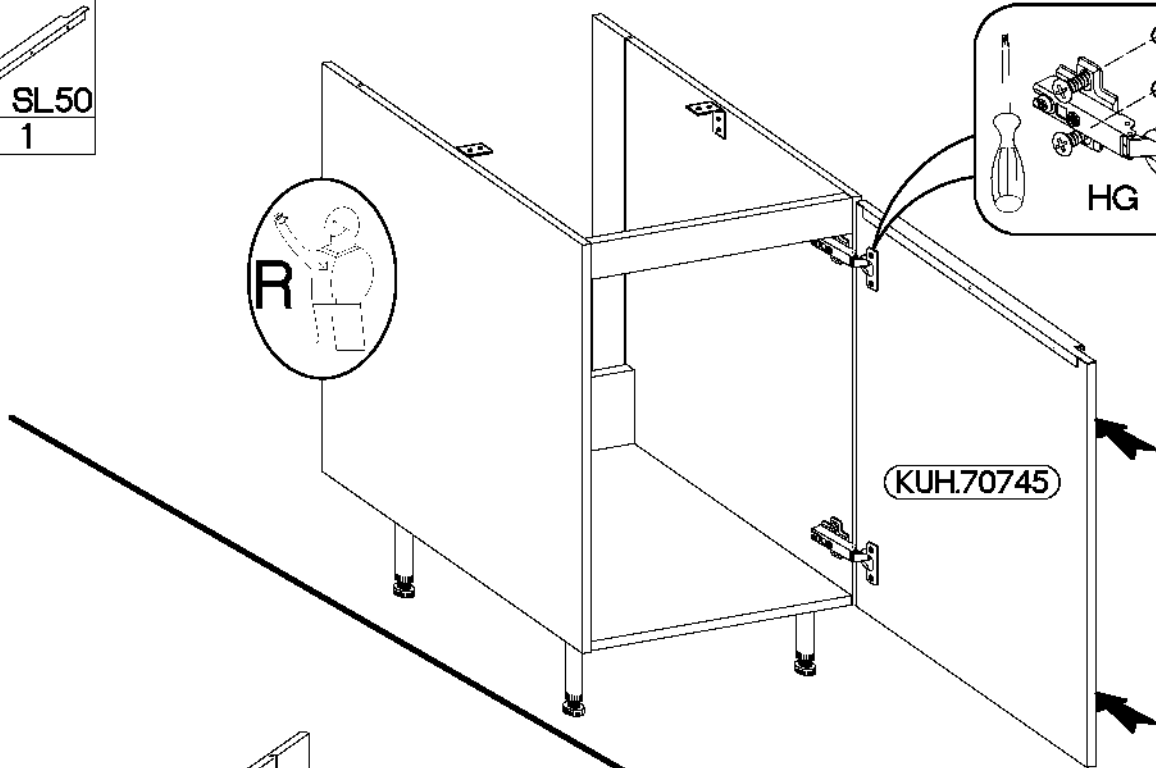
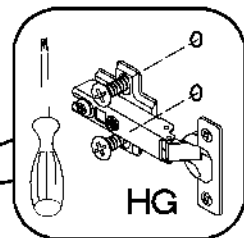
3.



4.

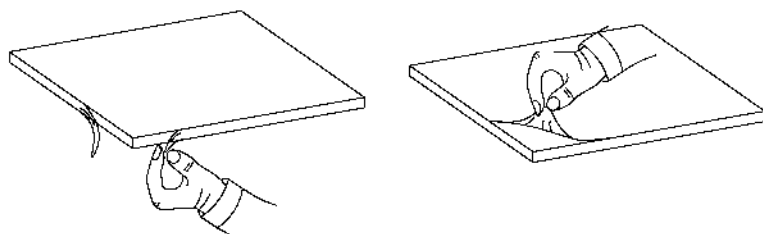


∅3.0x16mm	L=495mm
	
P11	SL50
3	1



VARIANT HIGH GLOSS

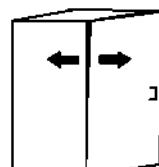
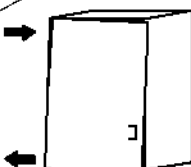
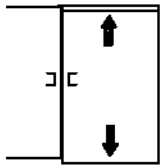
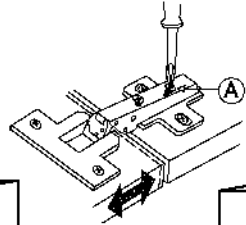
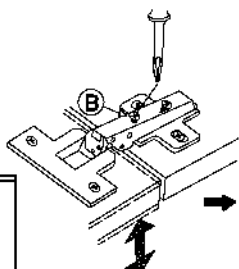
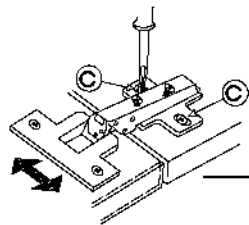
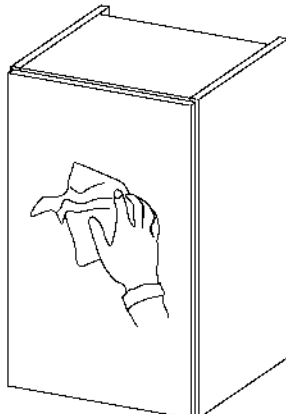
1.

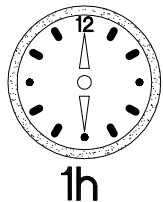
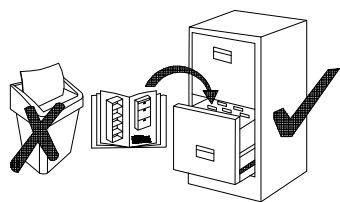
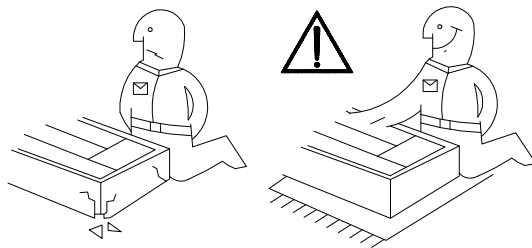
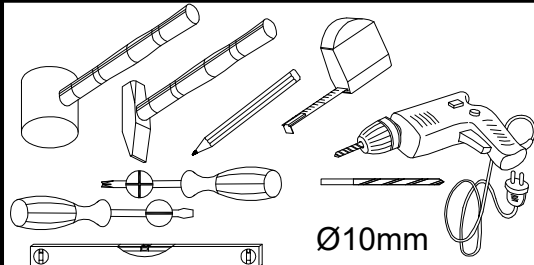
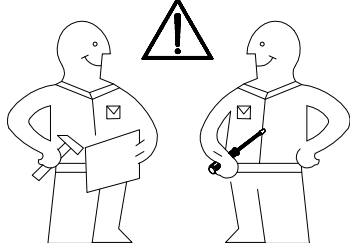


2.



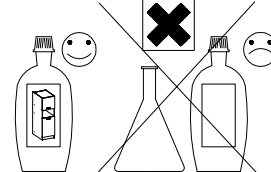
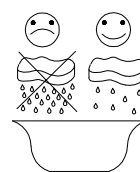
3.



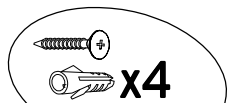
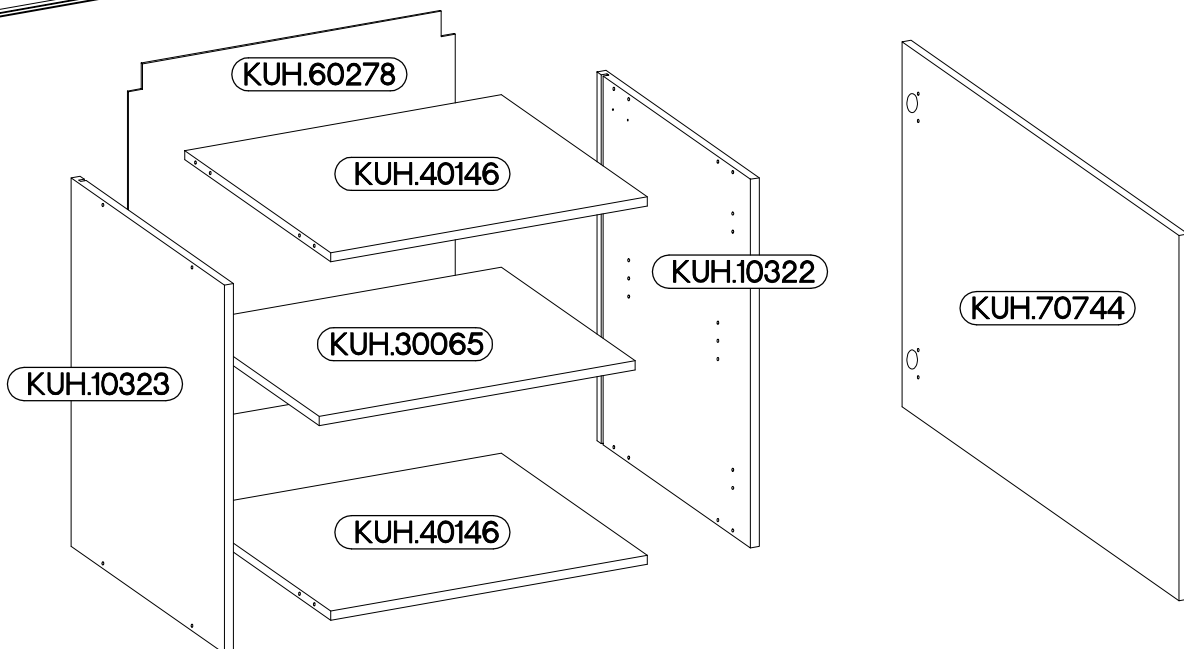
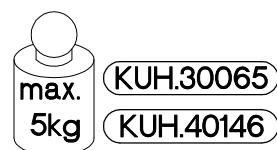
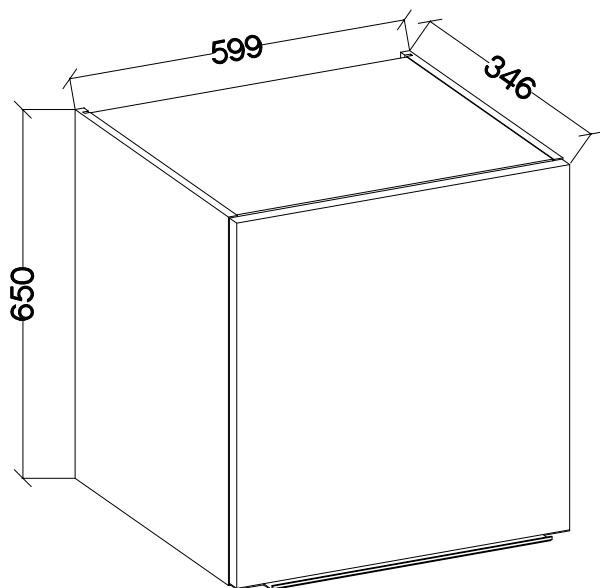


SAFADO / MARLEEN

84-170-...
84-176-...
84-17E-...



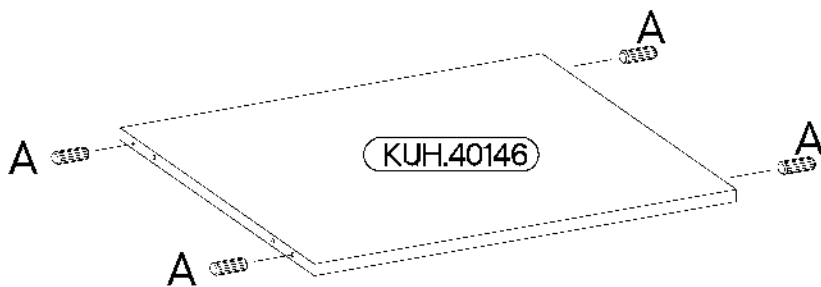
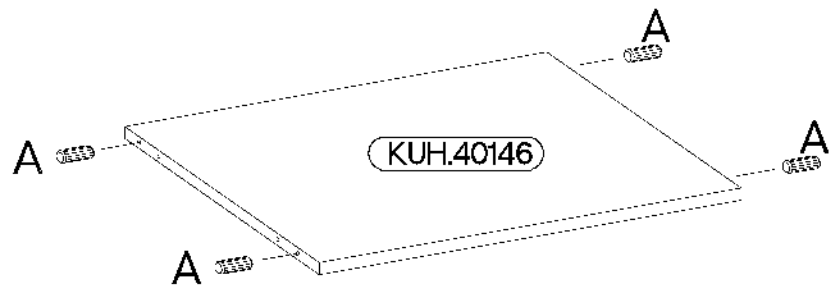
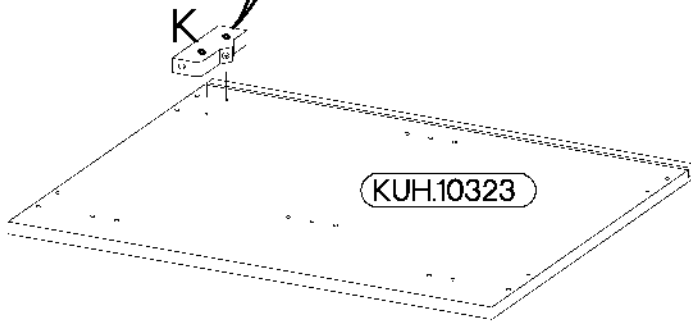
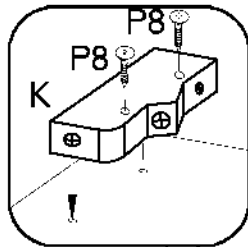
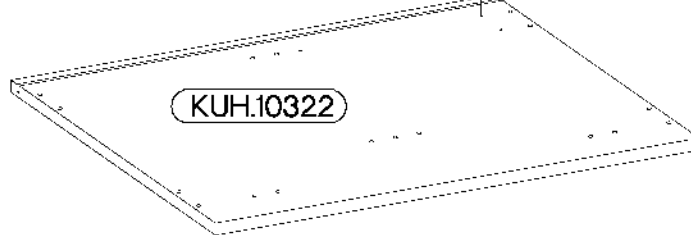
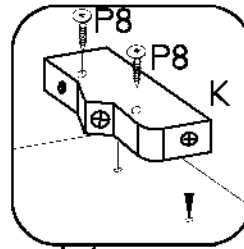
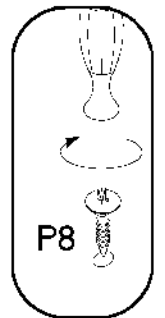
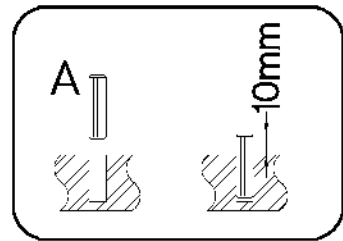
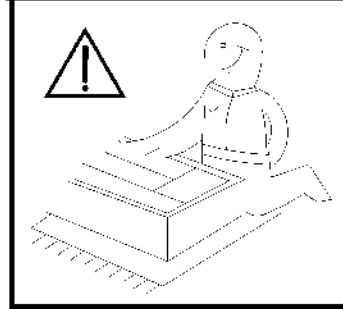
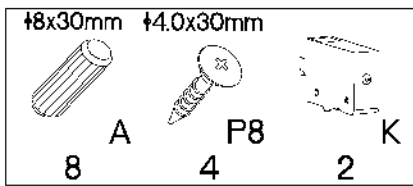
respekta®



 A 8	 B 8	 E1 8	 HG 2	 J3 4	 K 2	 K16 2
 O 1	 P5 4	 P7 10-15	 P8 4	 P11 4	 R 2	 SL60 1

Colli	Spare Part	Dimension
Colli 5/6	KUH.10322	650x330x16
	KUH.10323	650x330x16
	KUH.30065	566x288x16
	KUH.40146 x2	567x314x16
	KUH.60278	646x585x2,5
	KUH.70744	644x596x16

ISM-KUH-01604



2

6,4 x 50mm



4

B



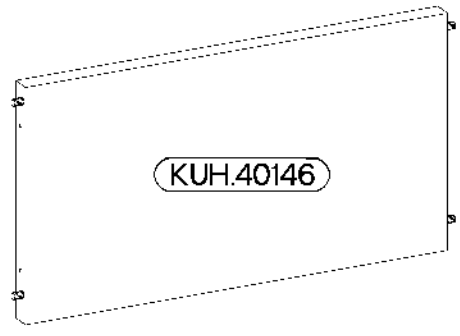
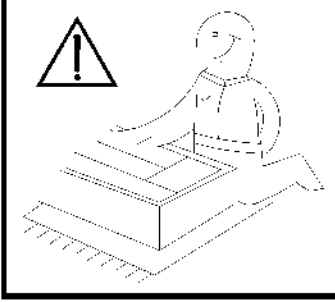
1

O

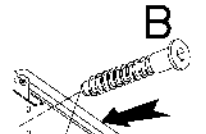


4

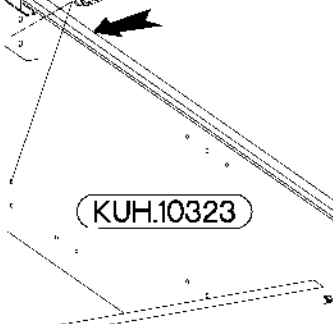
E1



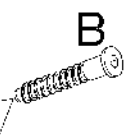
KUH.40146



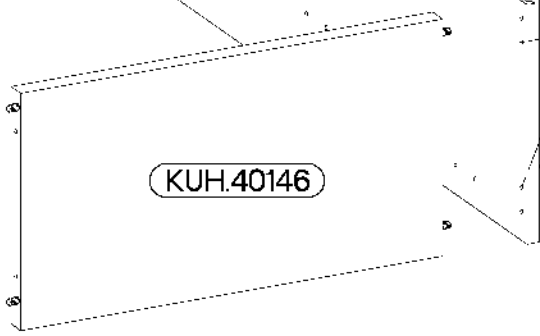
B



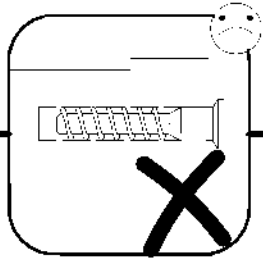
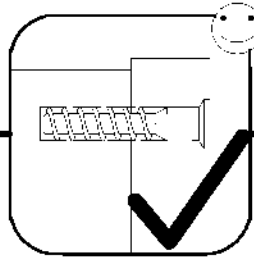
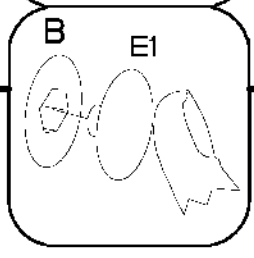
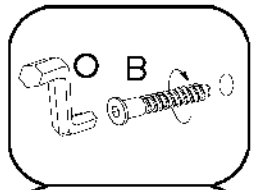
KUH.10323



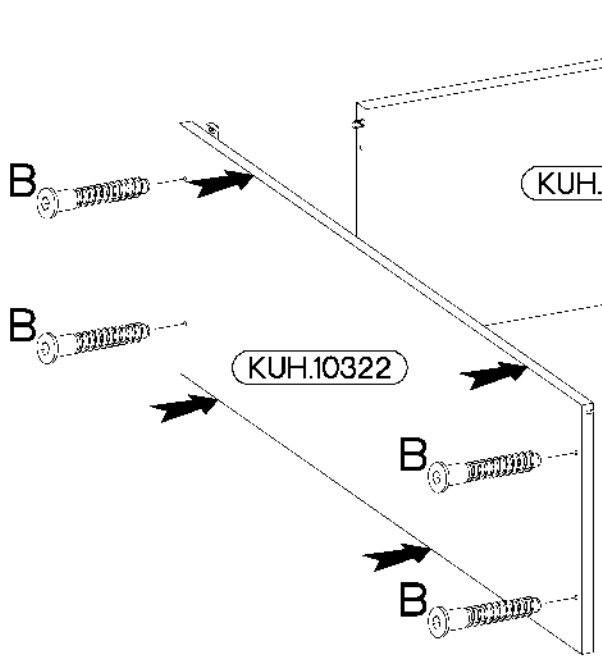
B



KUH.40146



3



KUH.40146

KUH.10322

KUH.10323

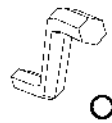
KUH.40146

6,4 x 50mm



4

B



1

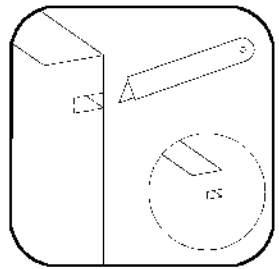
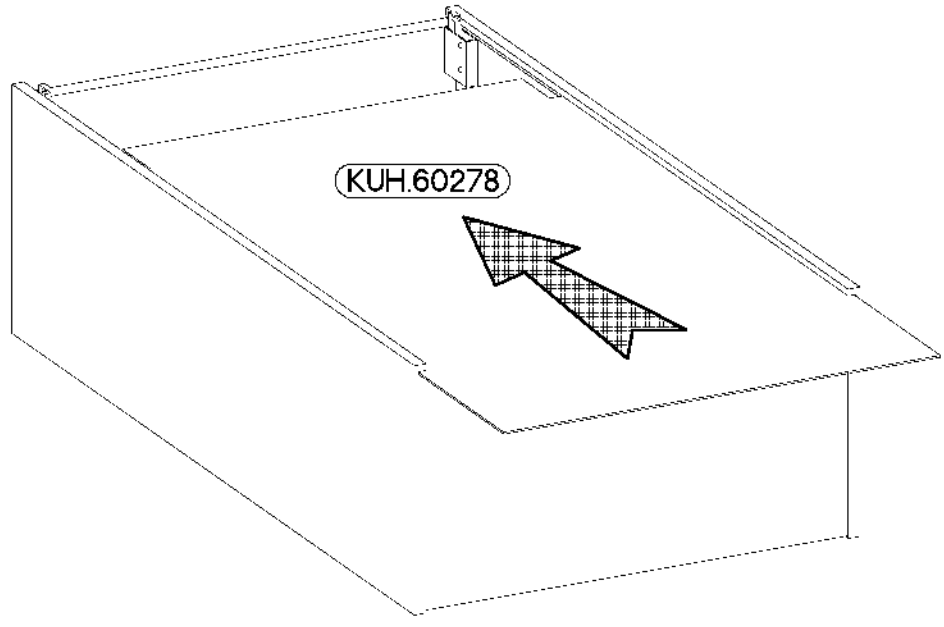
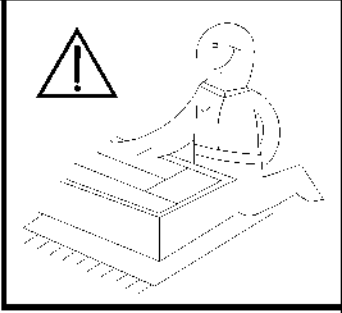
O



4

E1

4



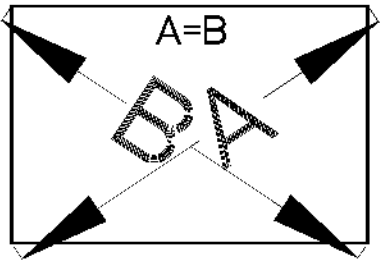
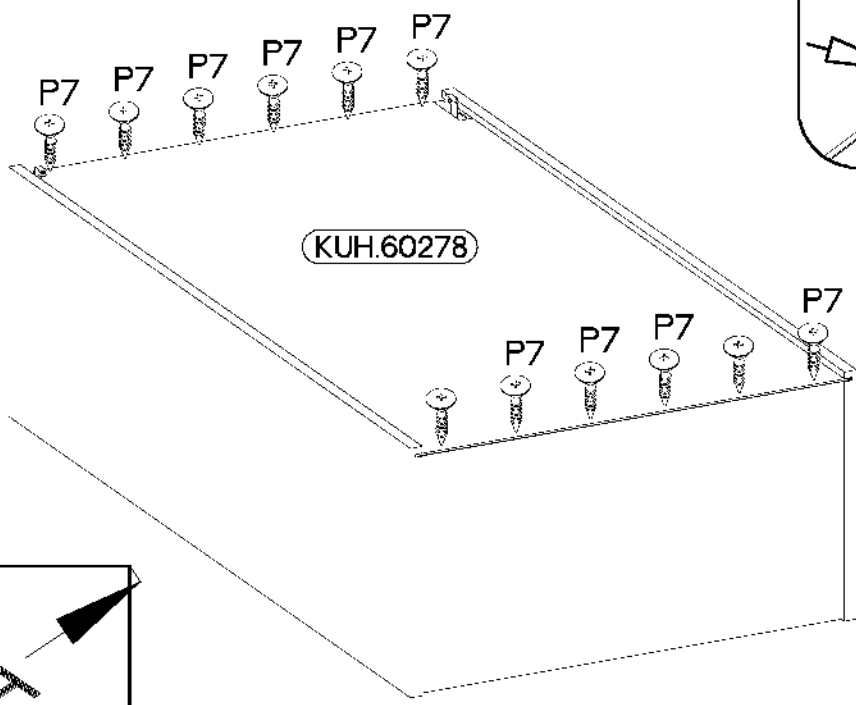
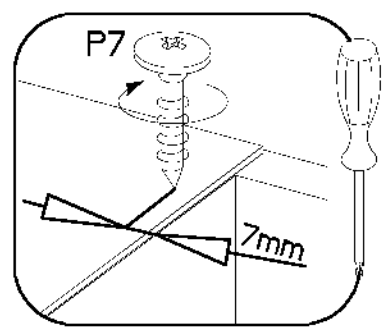
5

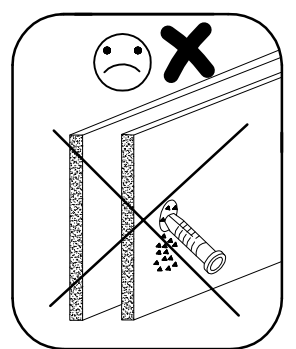
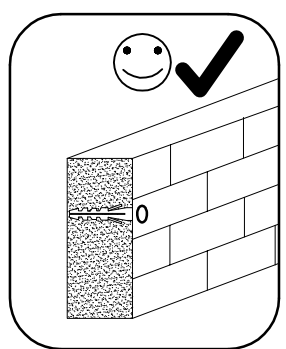
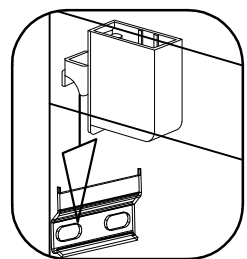
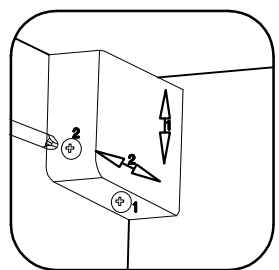
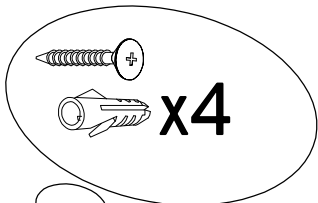
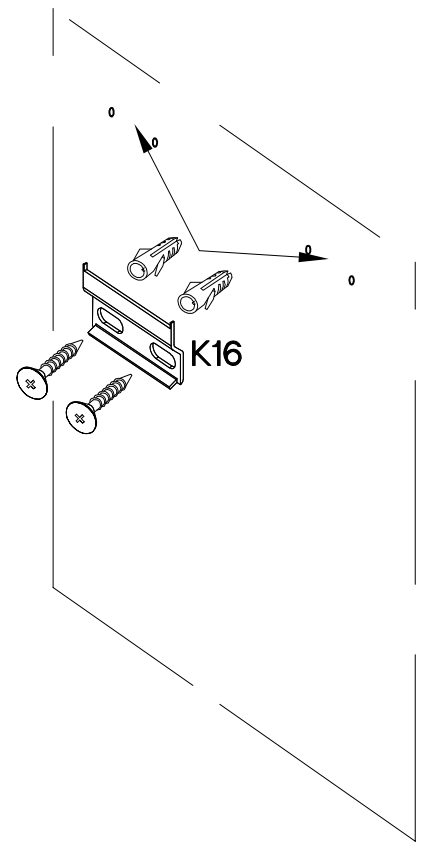
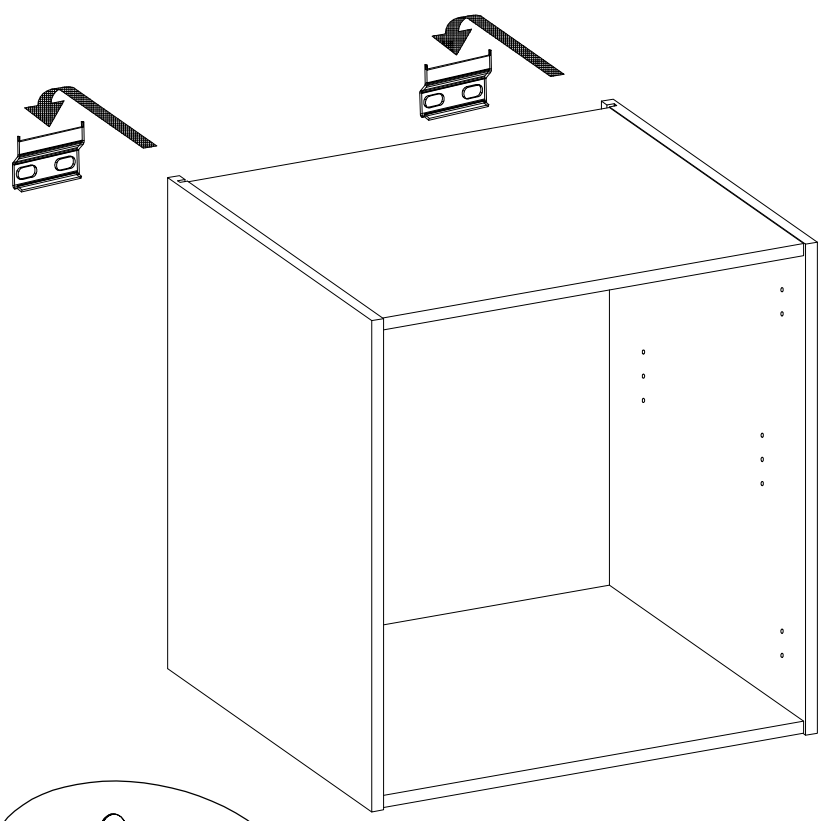
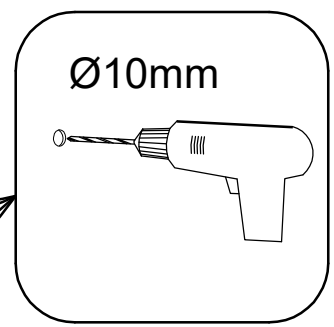
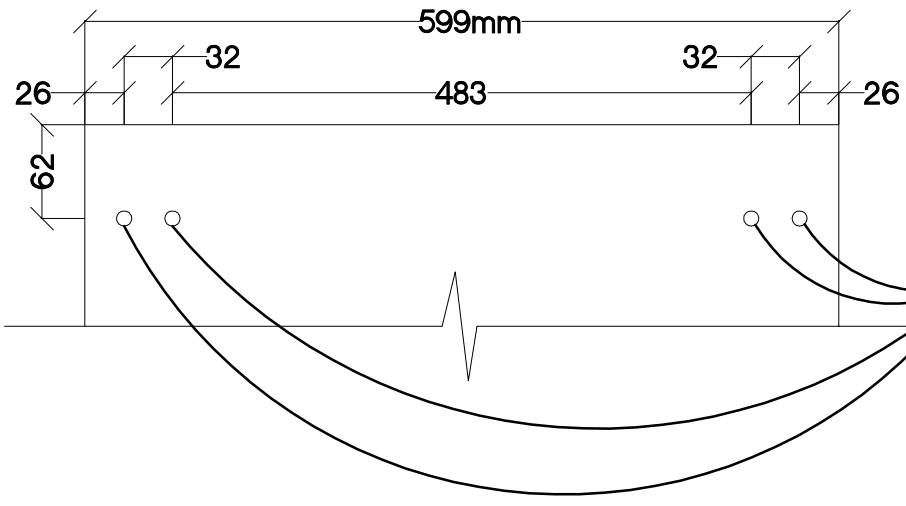
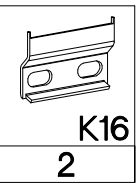
φ3.0x20mm



P7

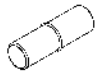
10-15





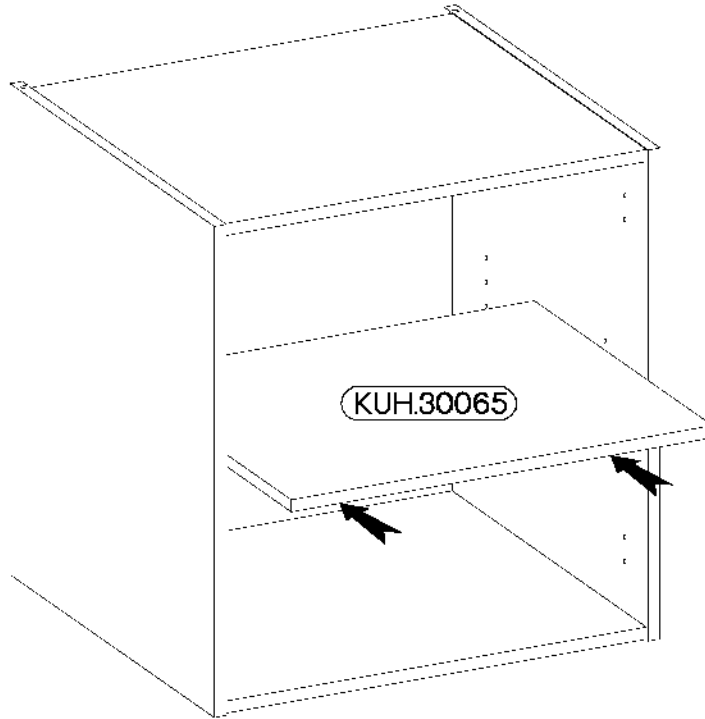
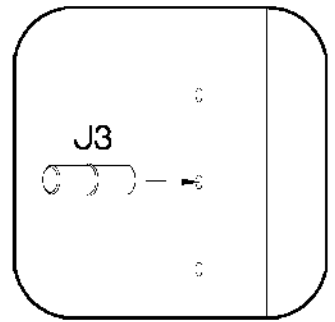


±5/16mm



J3

4



8

±35/0mm

±3.5x13mm



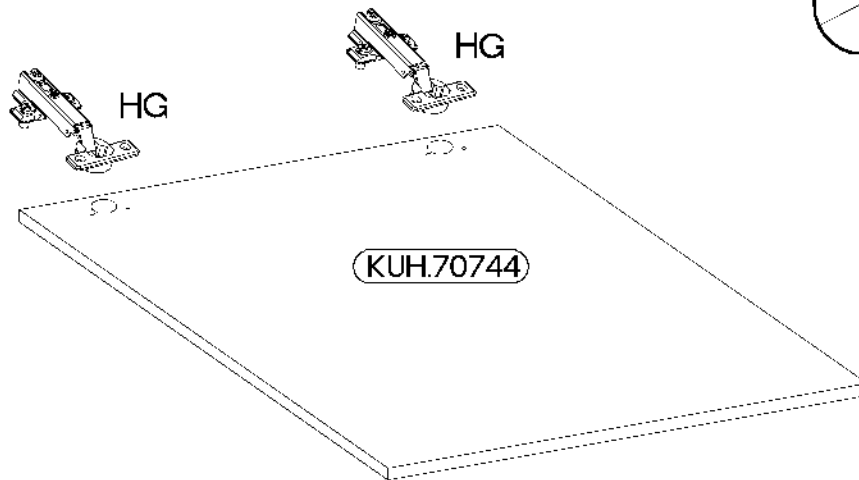
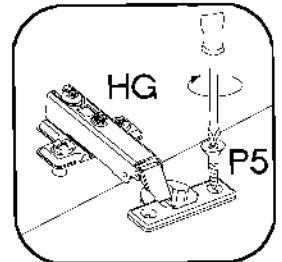
HG

2


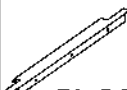


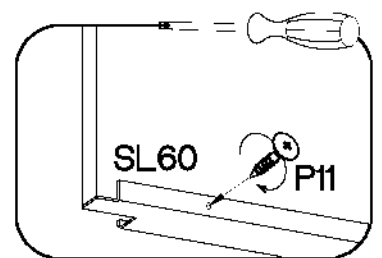
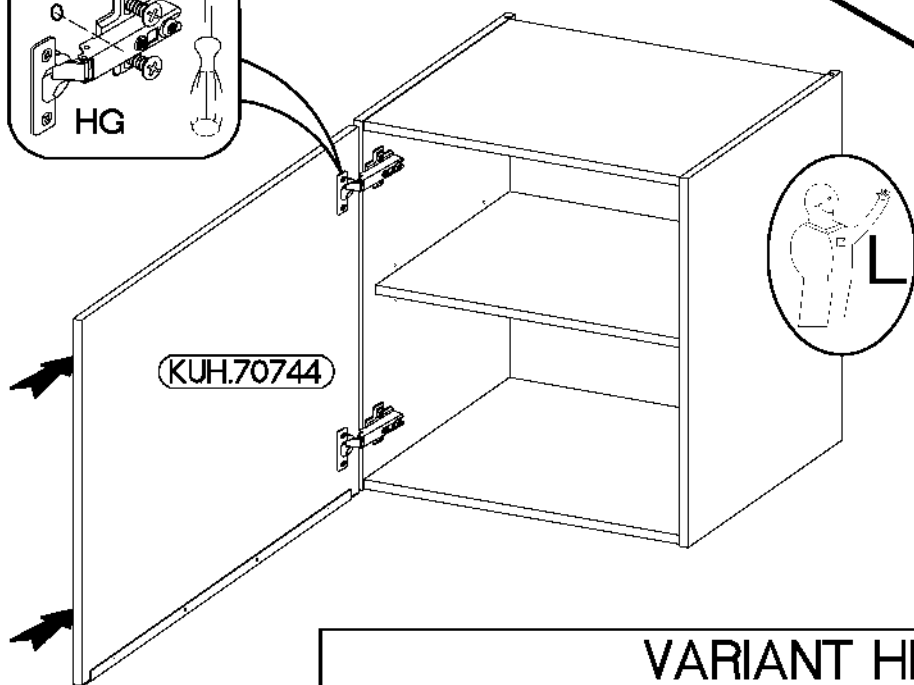
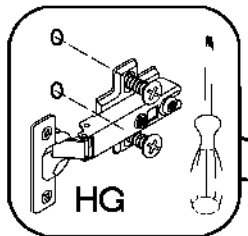
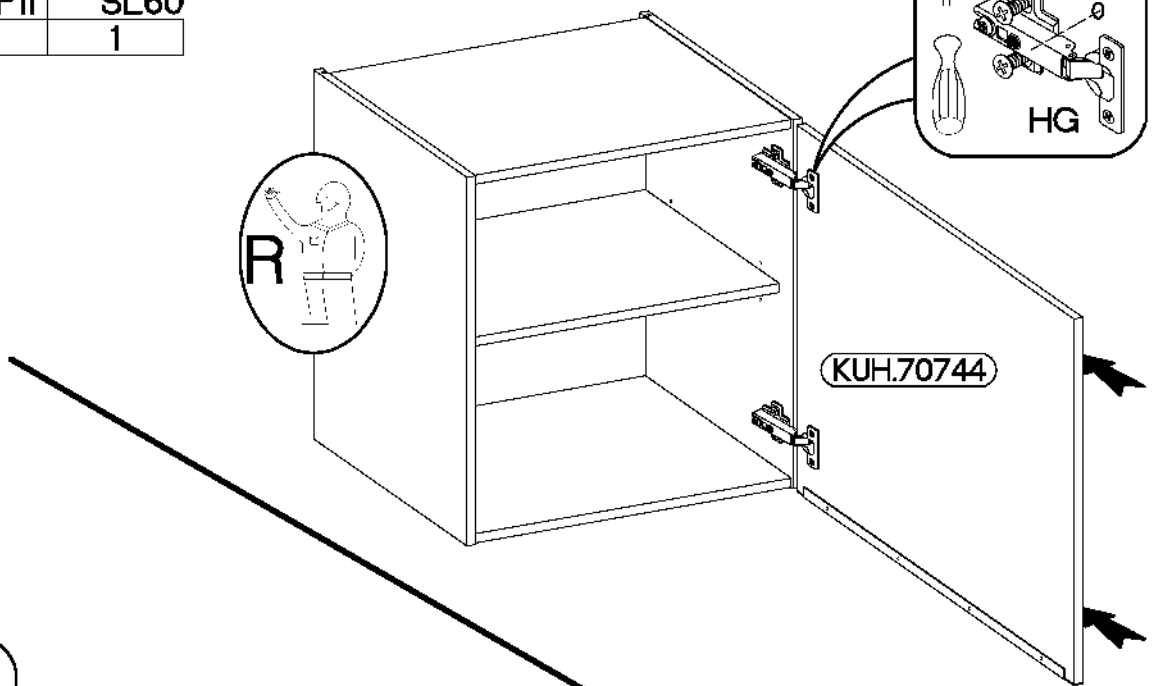
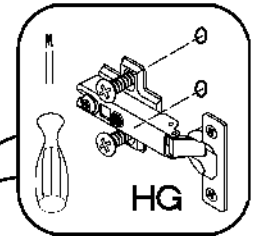
P5

4

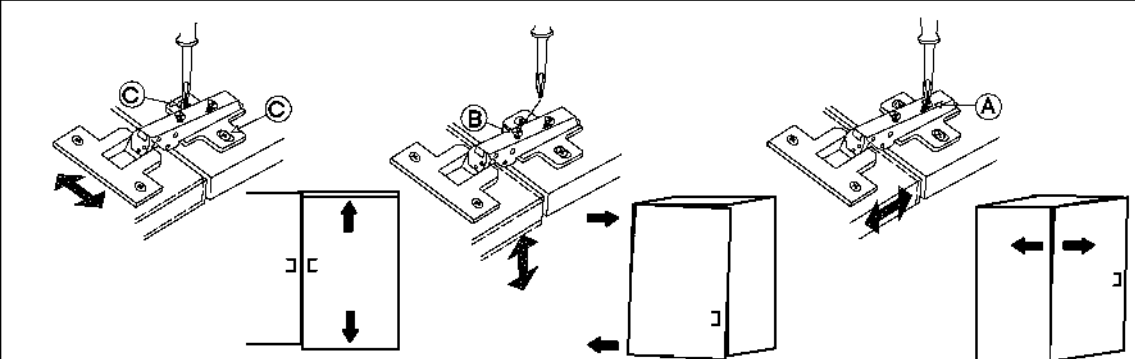
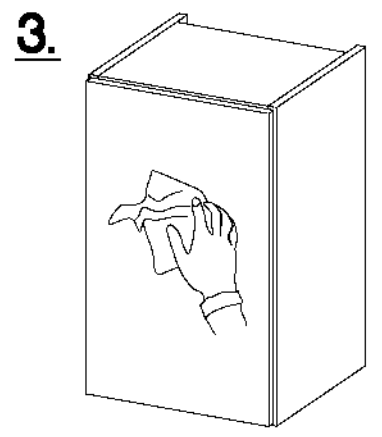
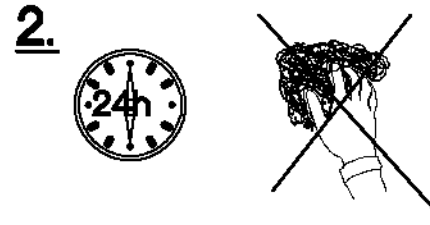
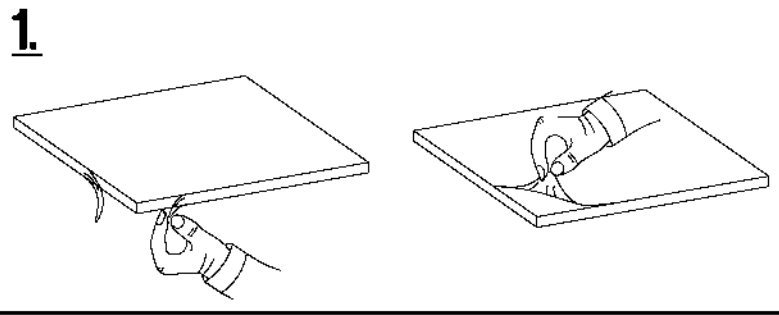


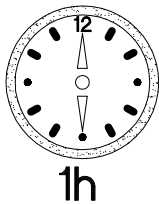
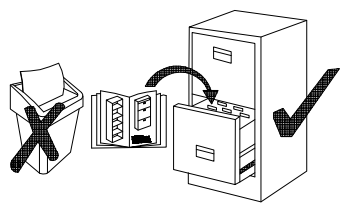
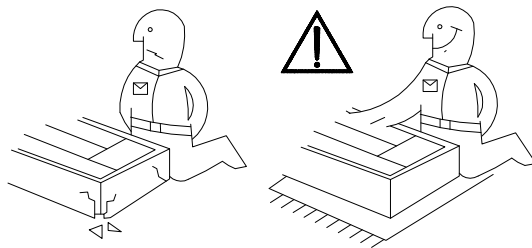
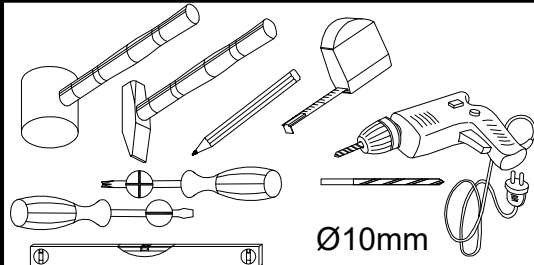
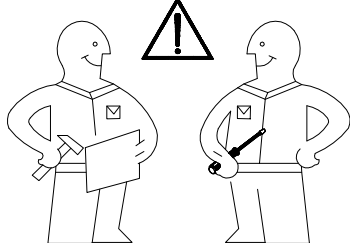
9

3.0x16mm	L=595mm
	
P11	SL60
4	1

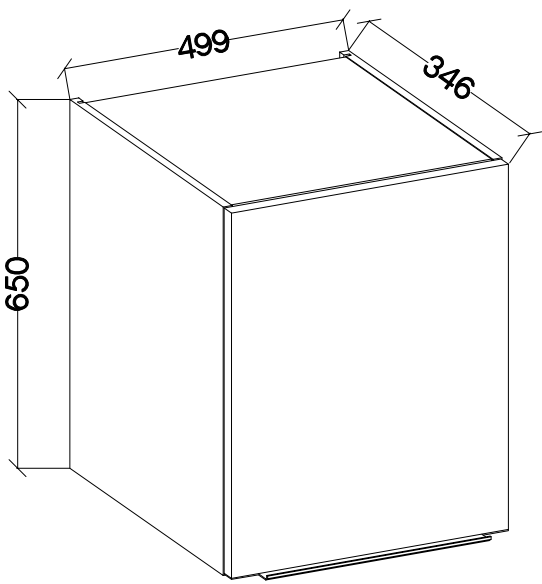
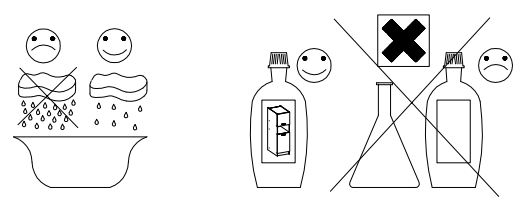


VARIANT HIGH GLOSS

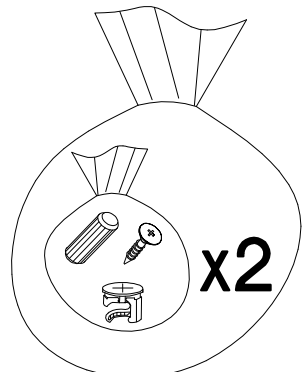
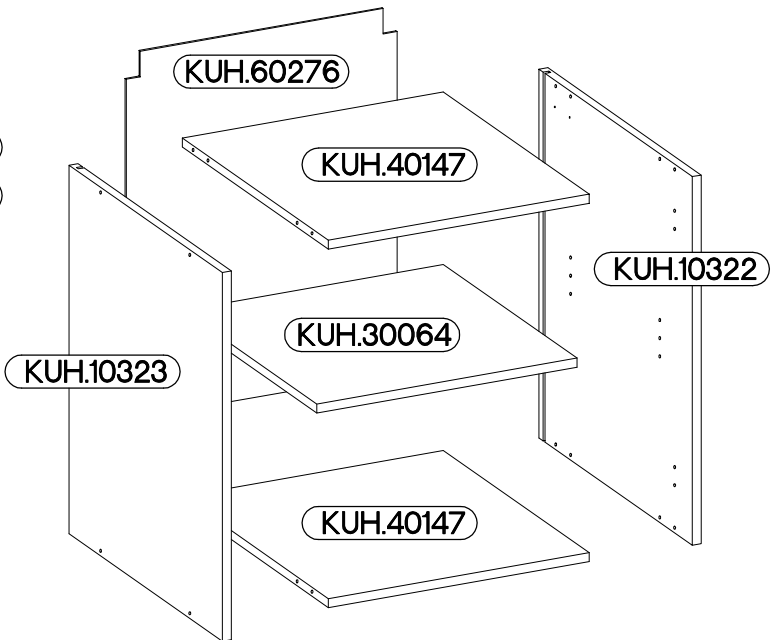
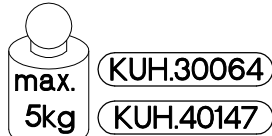
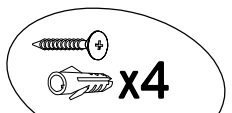
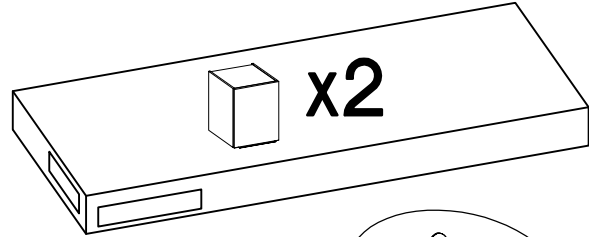




SAFADO / MARLEEN
 84-170-...
 84-176-...
 84-17D-...



respekta®

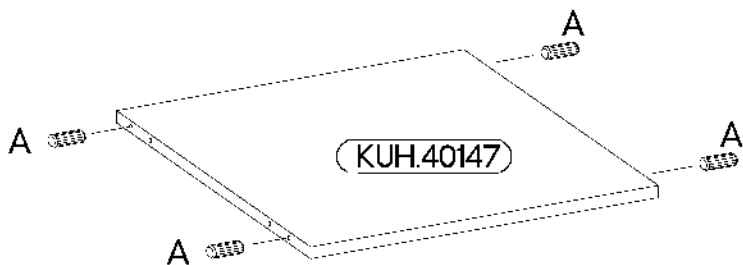
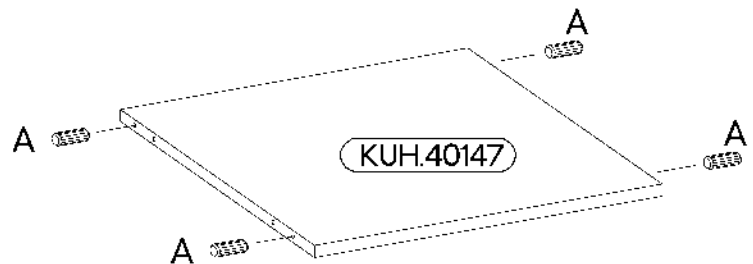
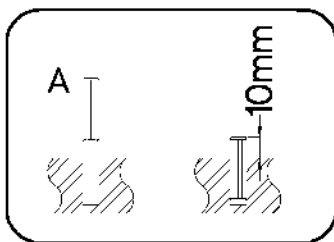
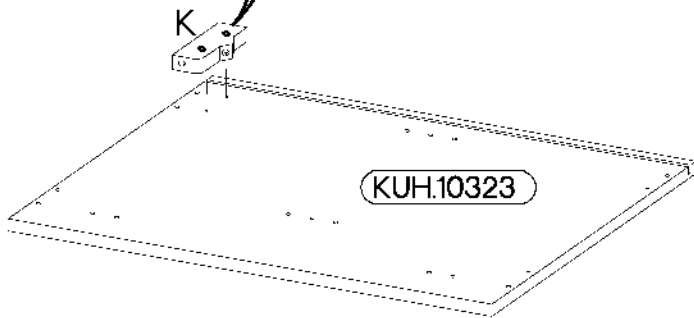
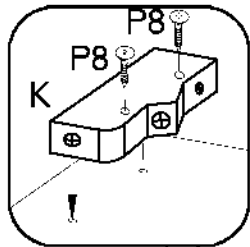
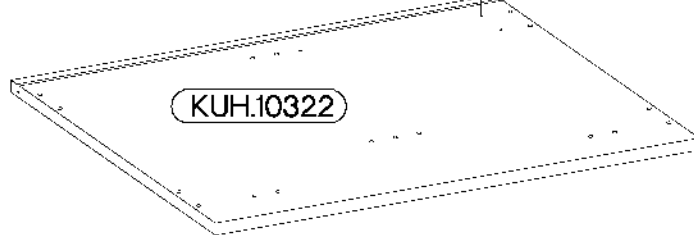
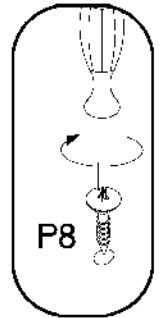
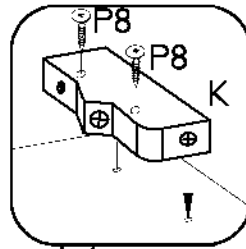
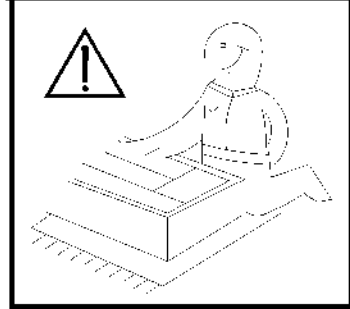
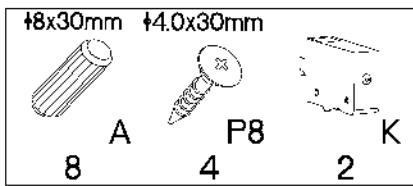


Colli	Spare Part	Dimension
Colli 4/6	KUH.10322	650x330x16
	KUH.10323	650x330x16
	KUH.30064	466x288x16
	KUH.40147 x2	467x314x16
	KUH.60276	646x485x2,5
	KUH.70743	644x496x16

x2

A 8	B 8	E1 8	HG 2	J3 4	K 2
K16 2	O 1	P5 4	P7 8-10	P8 4	P11 3
		P5 4	P7 8-10	P8 4	P11 3
					SL50 1

ISM-KUH-01605



2

6,4 x 50mm



4

B



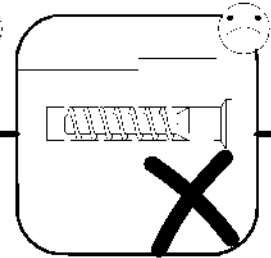
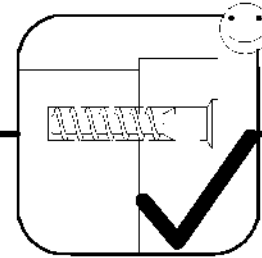
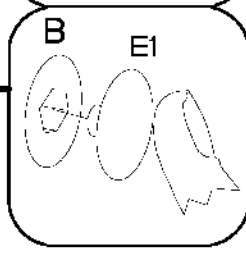
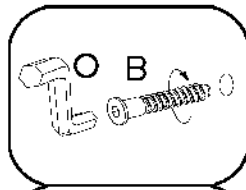
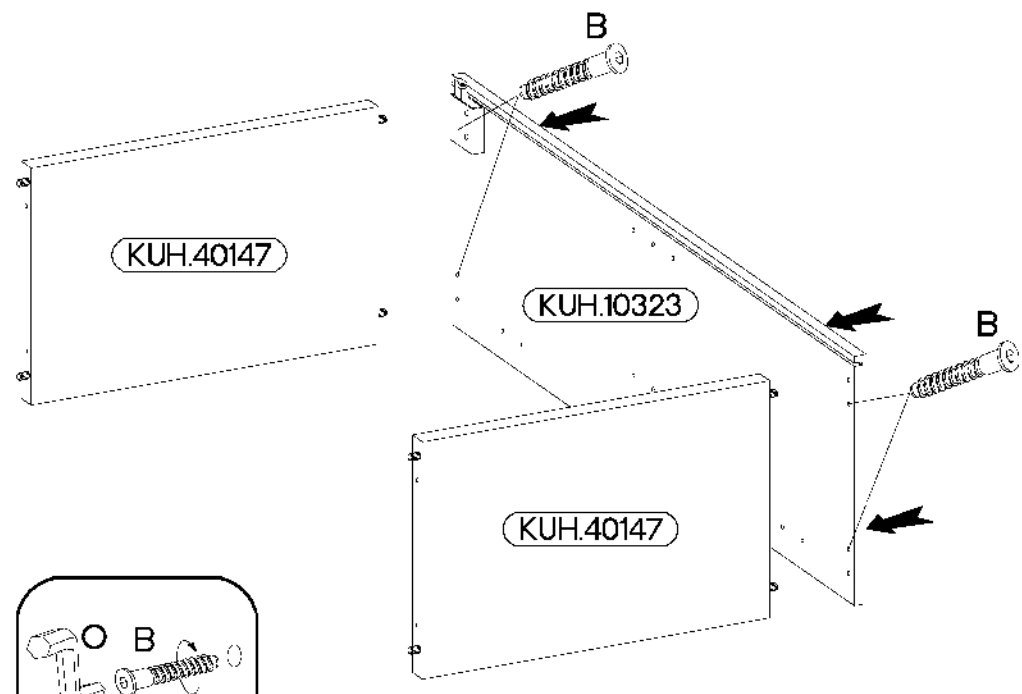
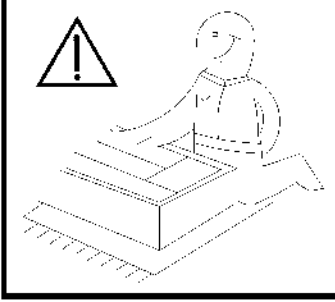
1

O

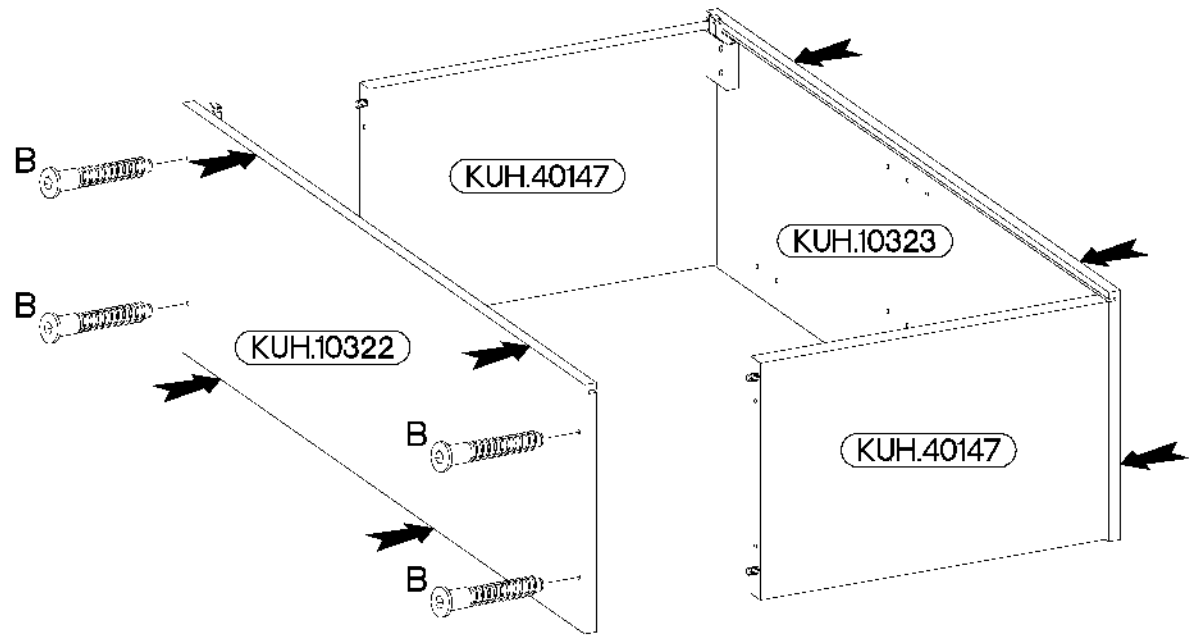


4

E1



3

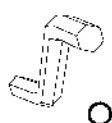


6,4 x 50mm



4

B



1

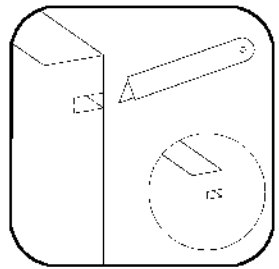
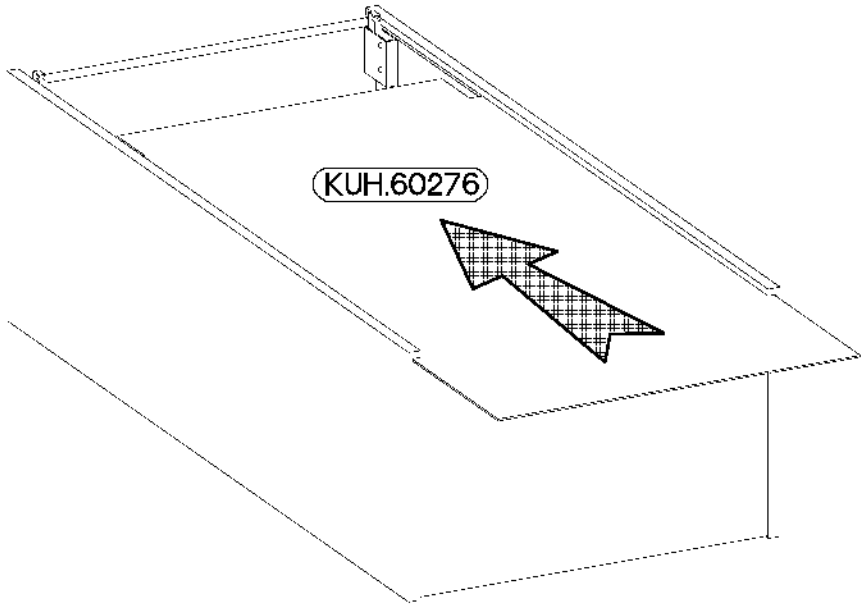
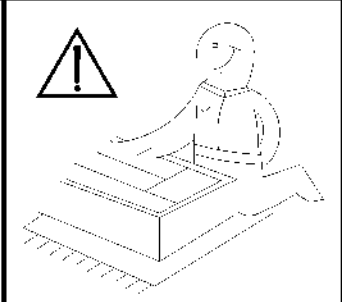
O



4

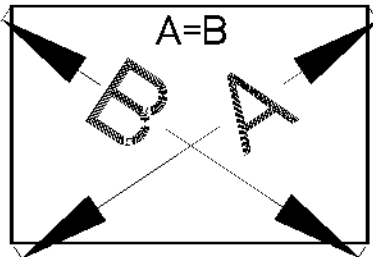
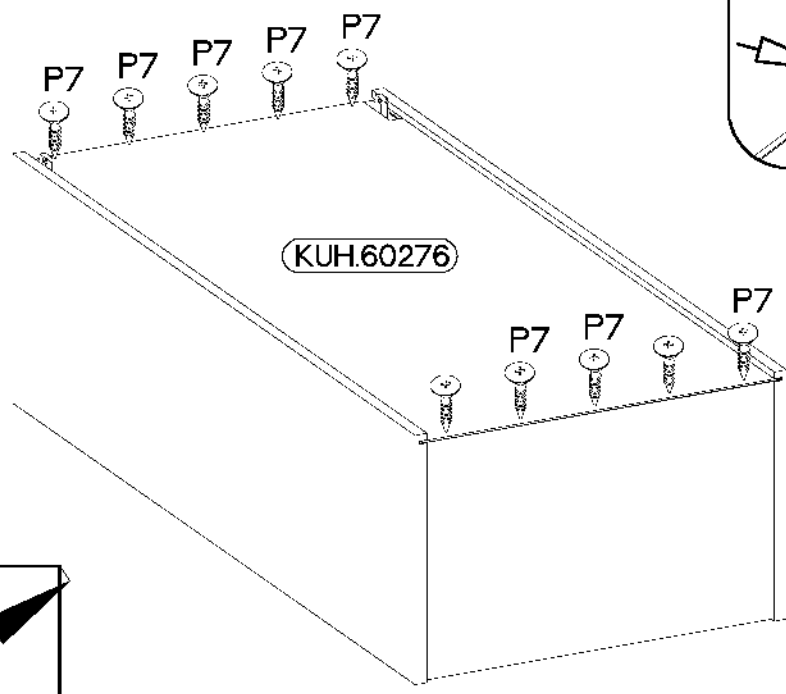
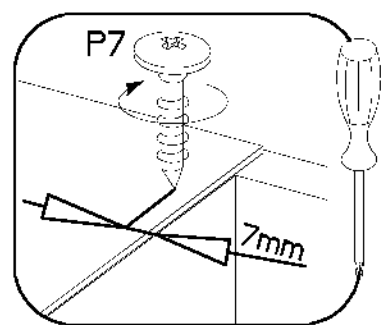
E1

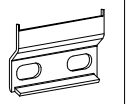
4



5

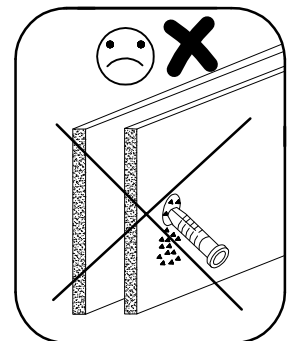
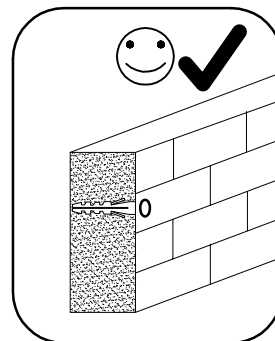
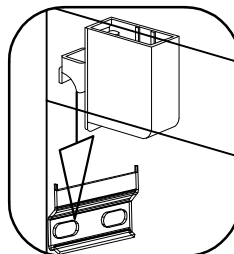
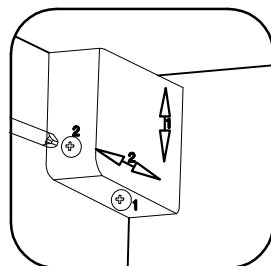
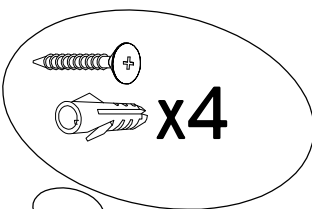
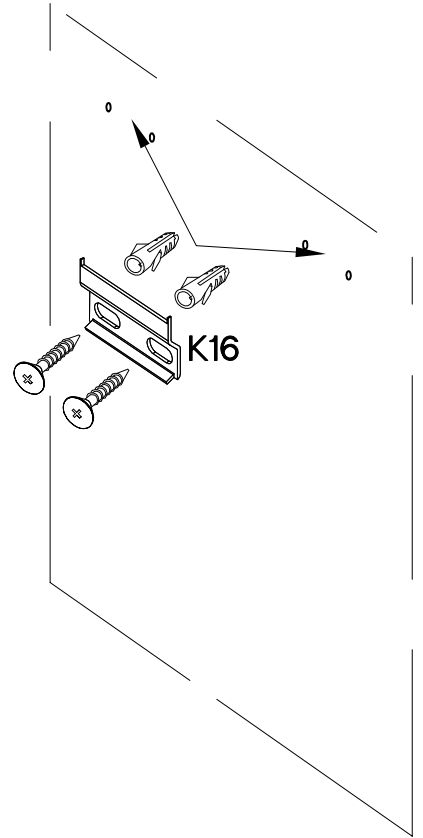
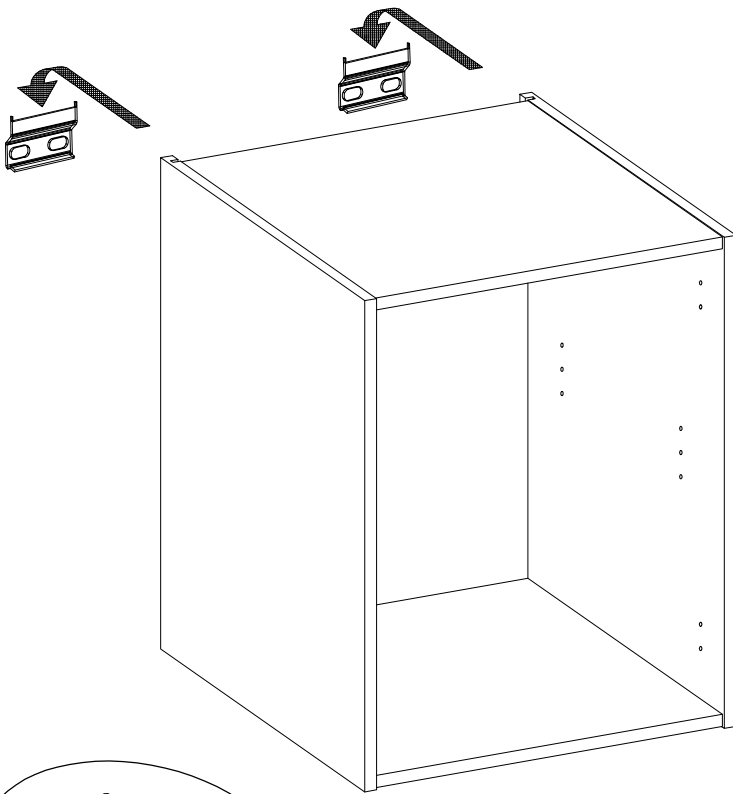
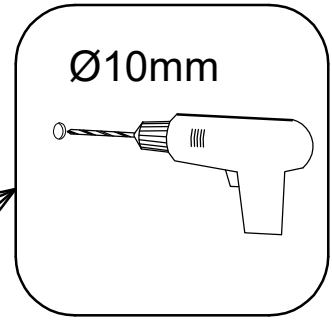
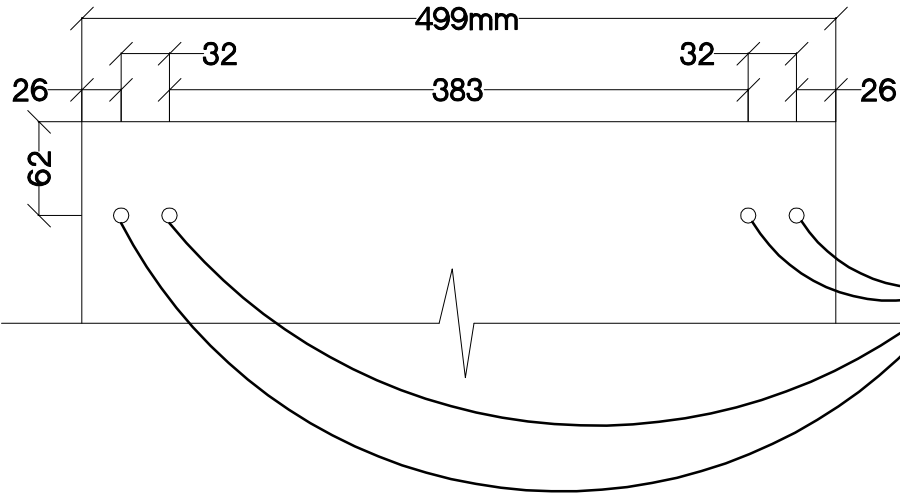
±3.0x20mm
P7
8-10





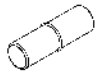
K16

2



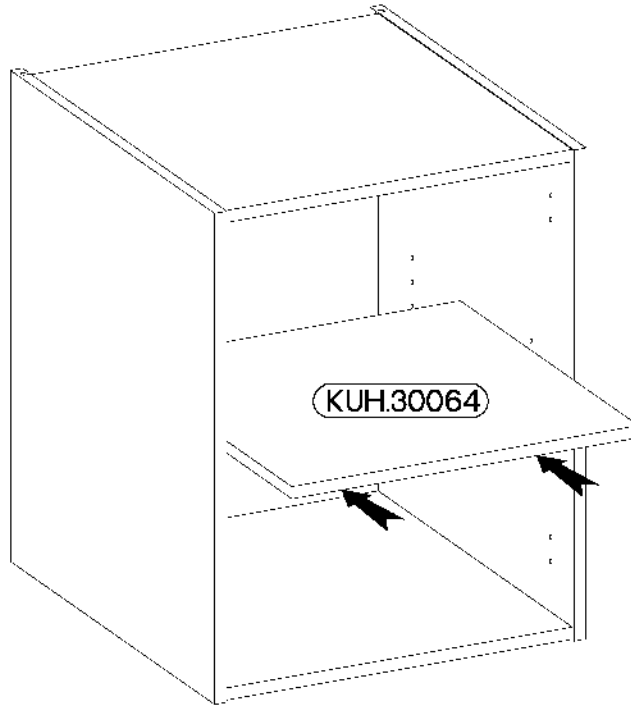
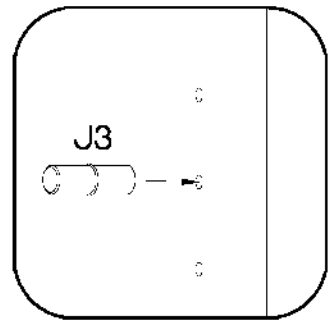


±5/16mm



J3

4



8

±35/0mm

±3.5x13mm



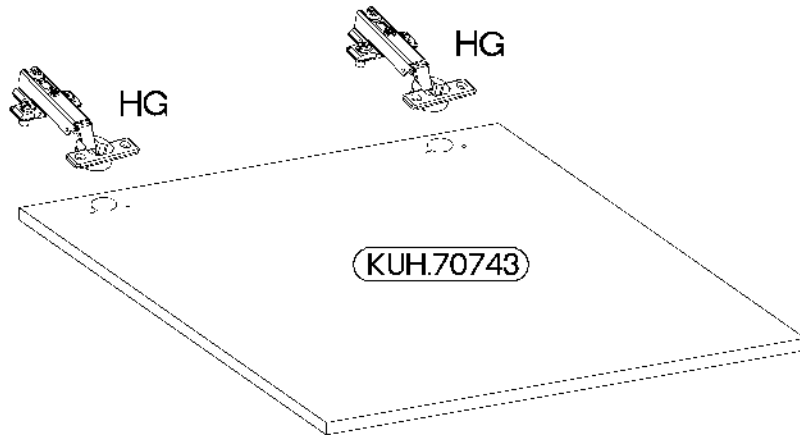
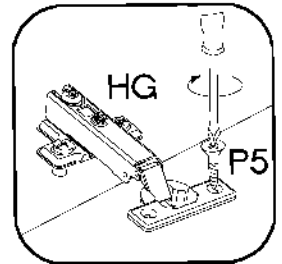
HG



2

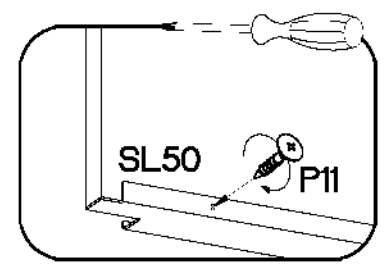
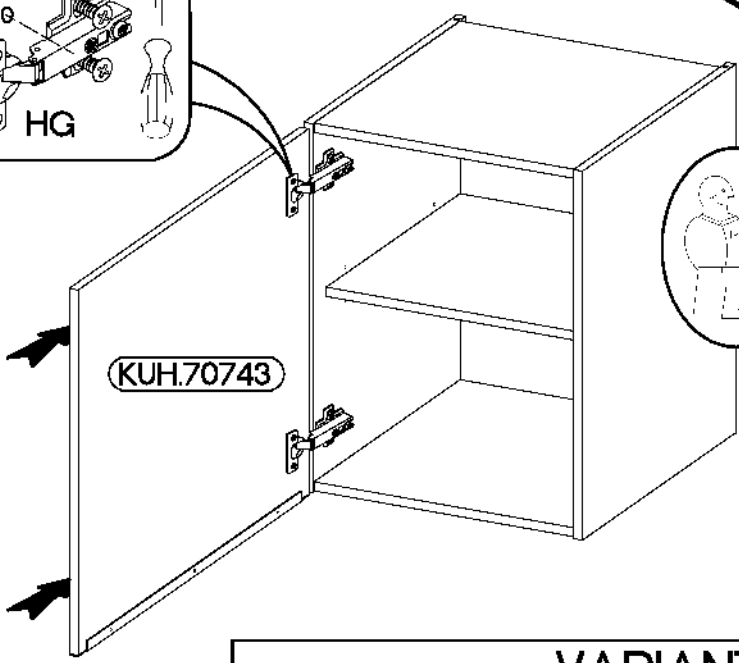
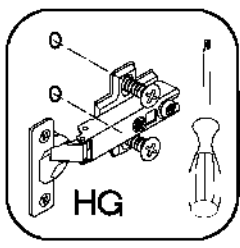
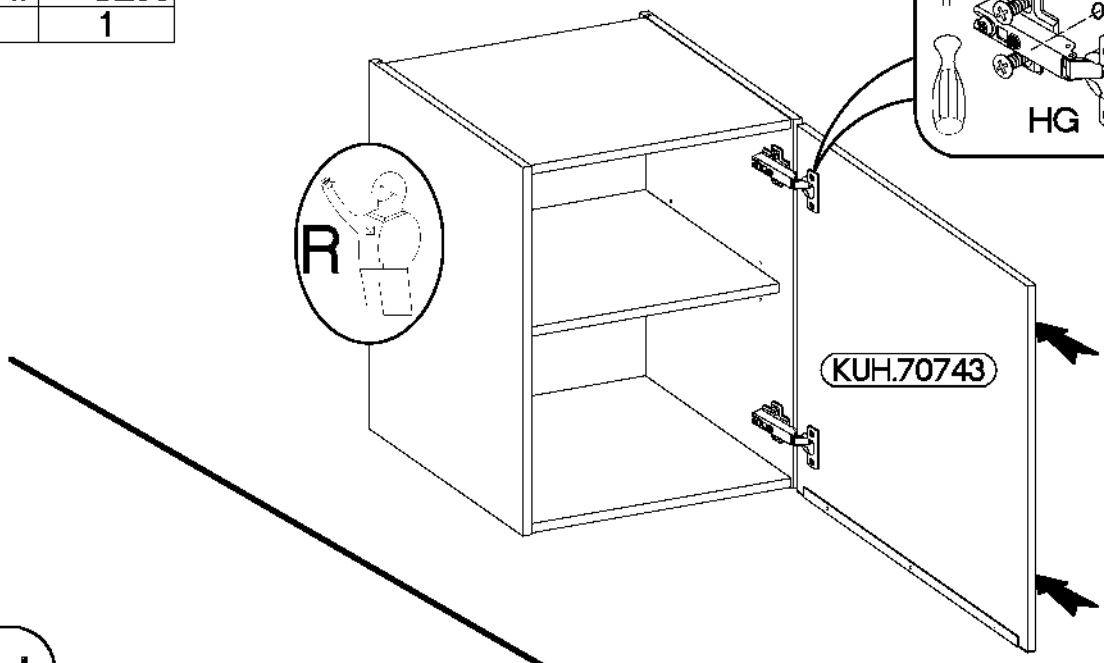
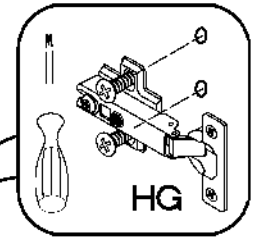
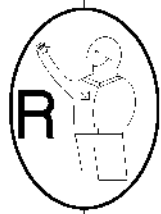


P5

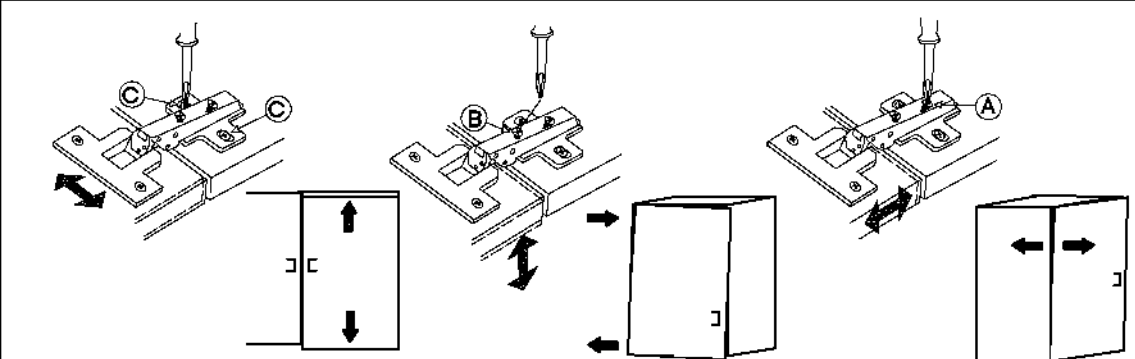
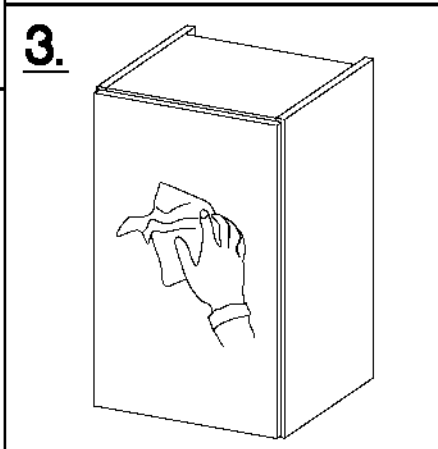
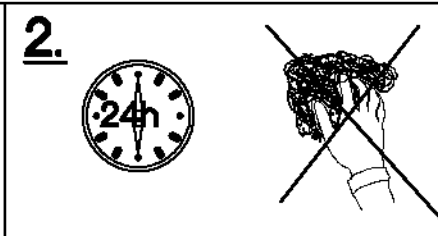
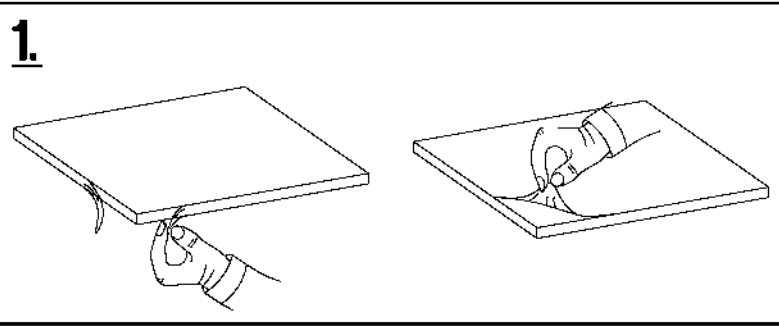
4

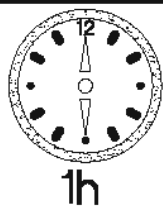
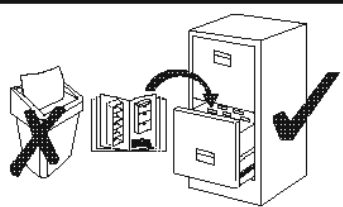
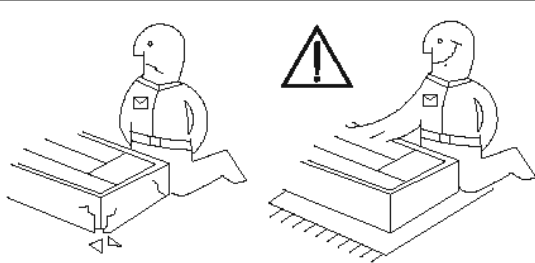
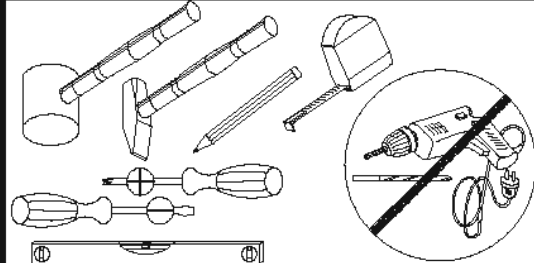
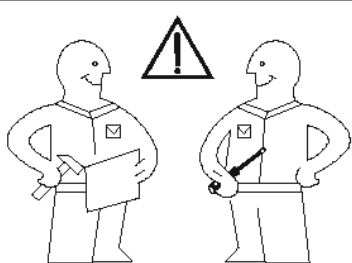


∅3.0x16mm	L=495mm
	
P11	SL50
3	1



VARIANT HIGH GLOSS





SAFADO / MARLEEN

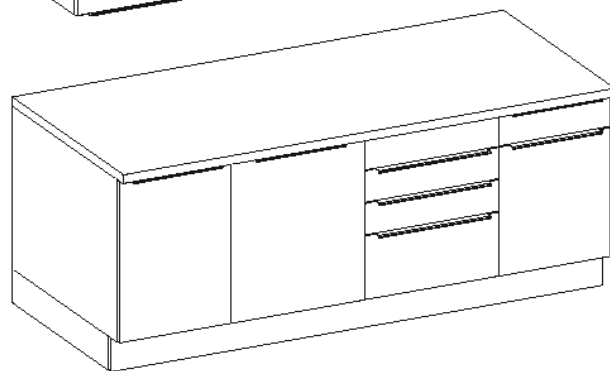
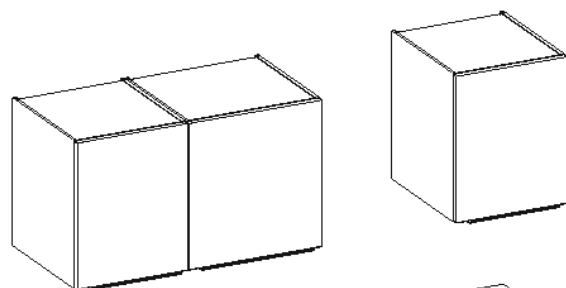
84-170-...

84-176-...

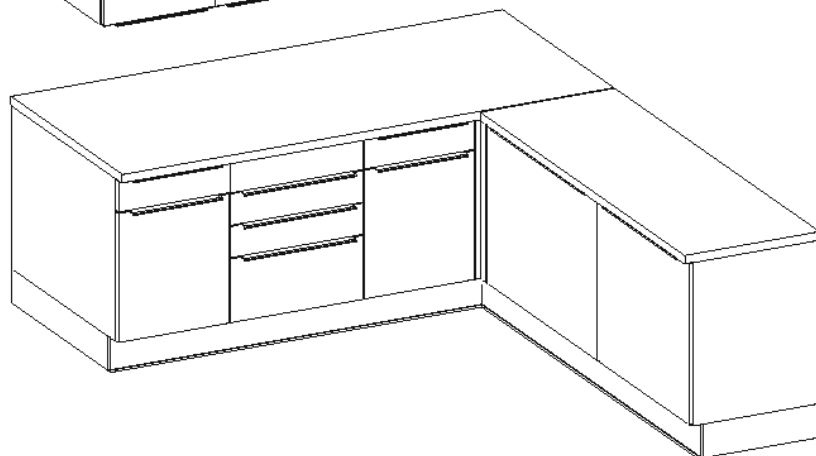
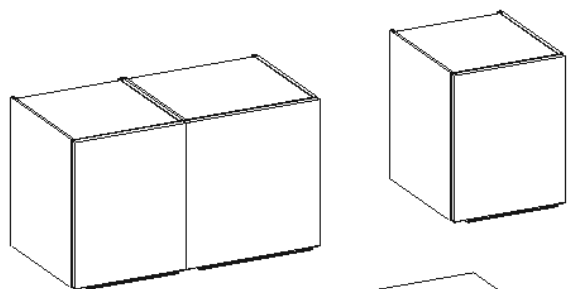
84-17F-...



RESPEKTA®



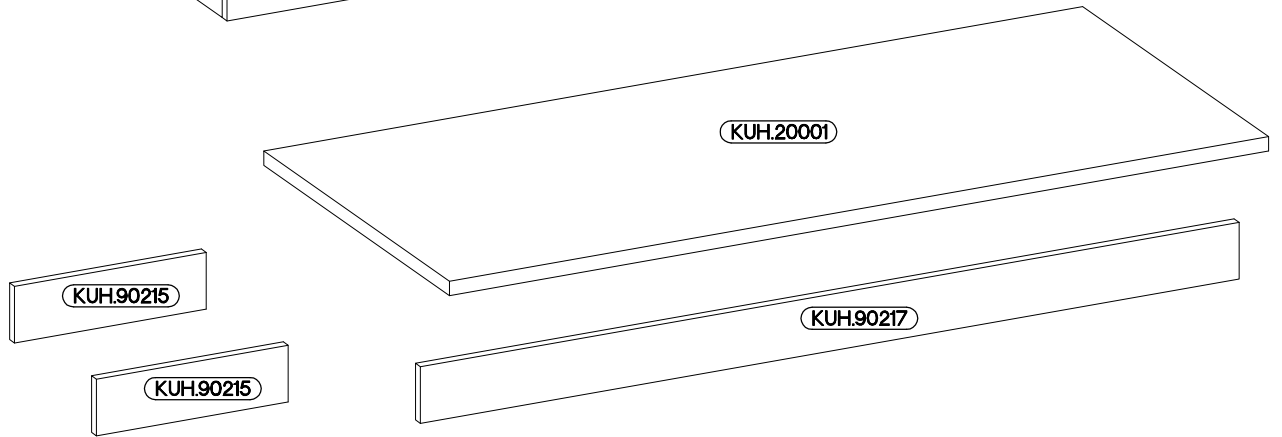
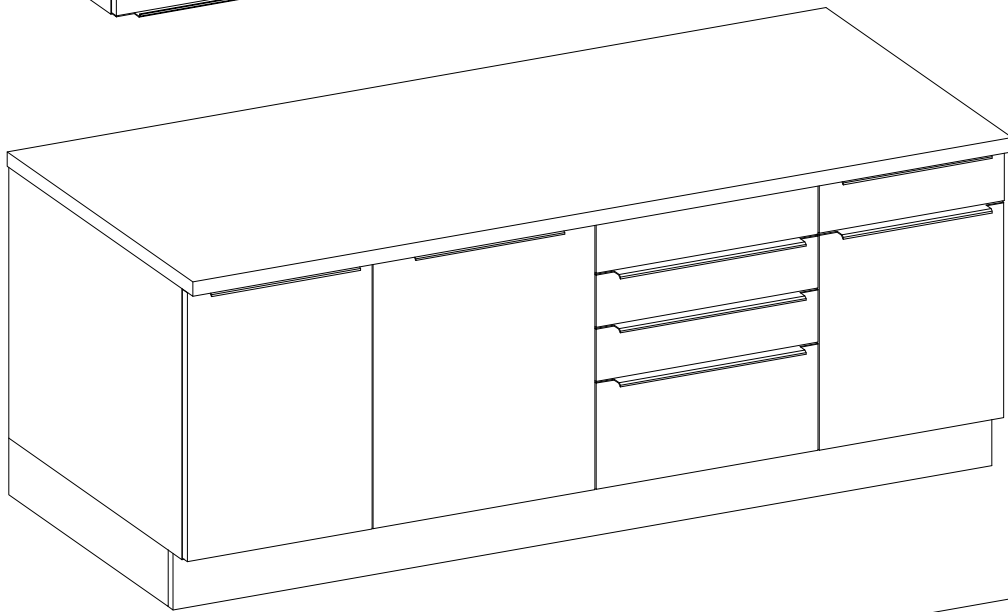
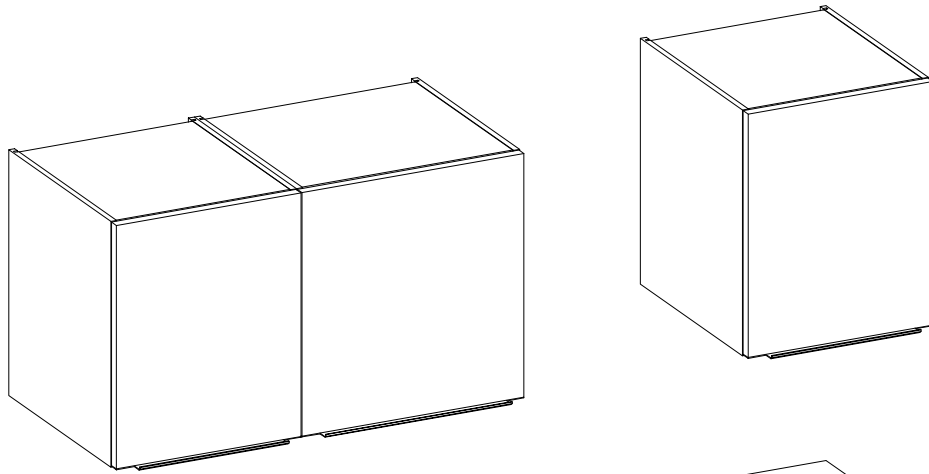
VARIANT 1



VARIANT 2

ISM-KUH-01597

VARIANT 1



Colli	Spare Part	Dimension
Colli 6/6	KUH.20001	2200x600x38
	KUH.90215 x2	515x150x16
	KUH.90217	2199x150x16

±3.5x13mm



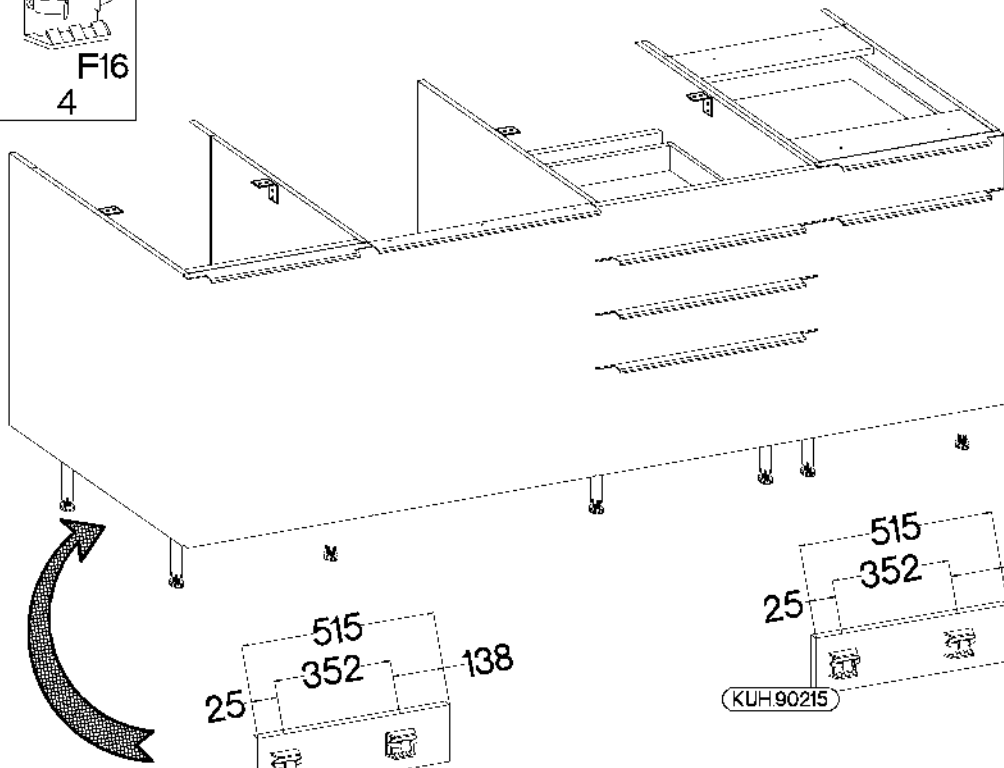
P5

8



F16

4

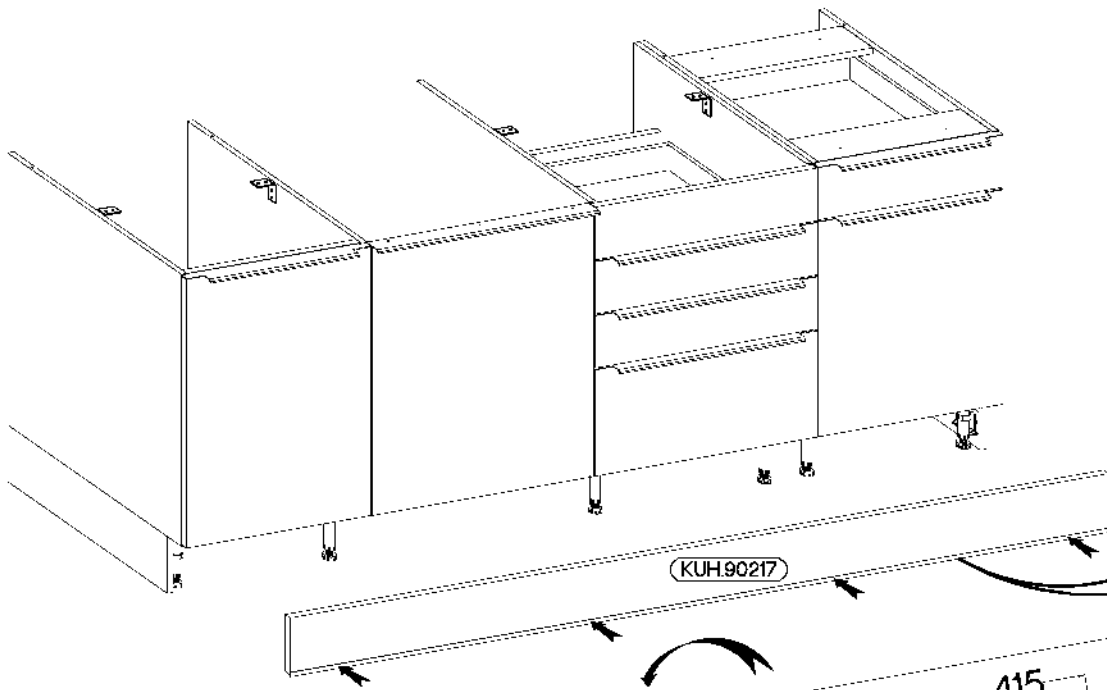


KUH.90215

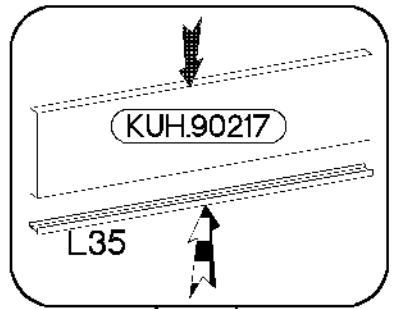
KUH.90215

2

- 1.
- 2.
- 3.
- 4.

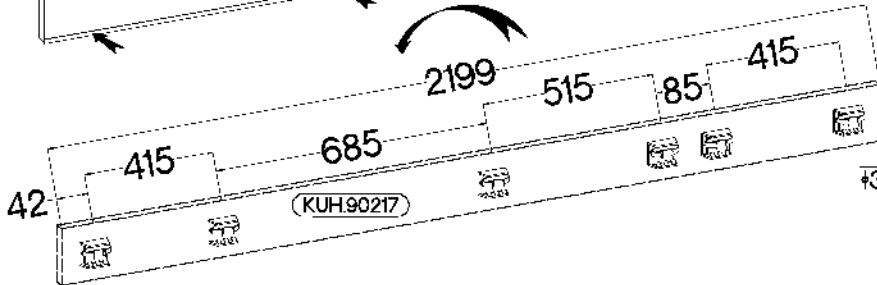


KUH.90217



KUH.90217

L35



KUH.90217

±3.5x13mm



P5

12



F16

6



L=2200mm

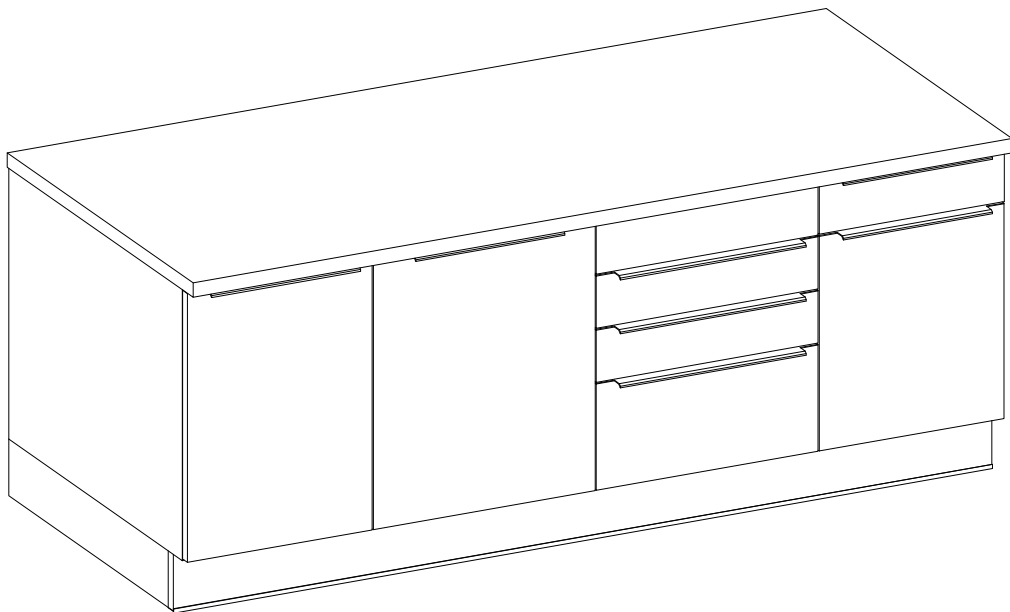
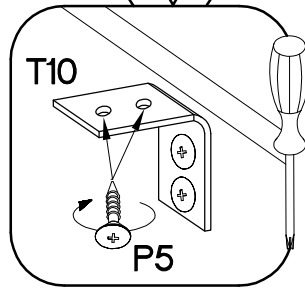
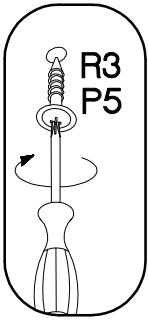
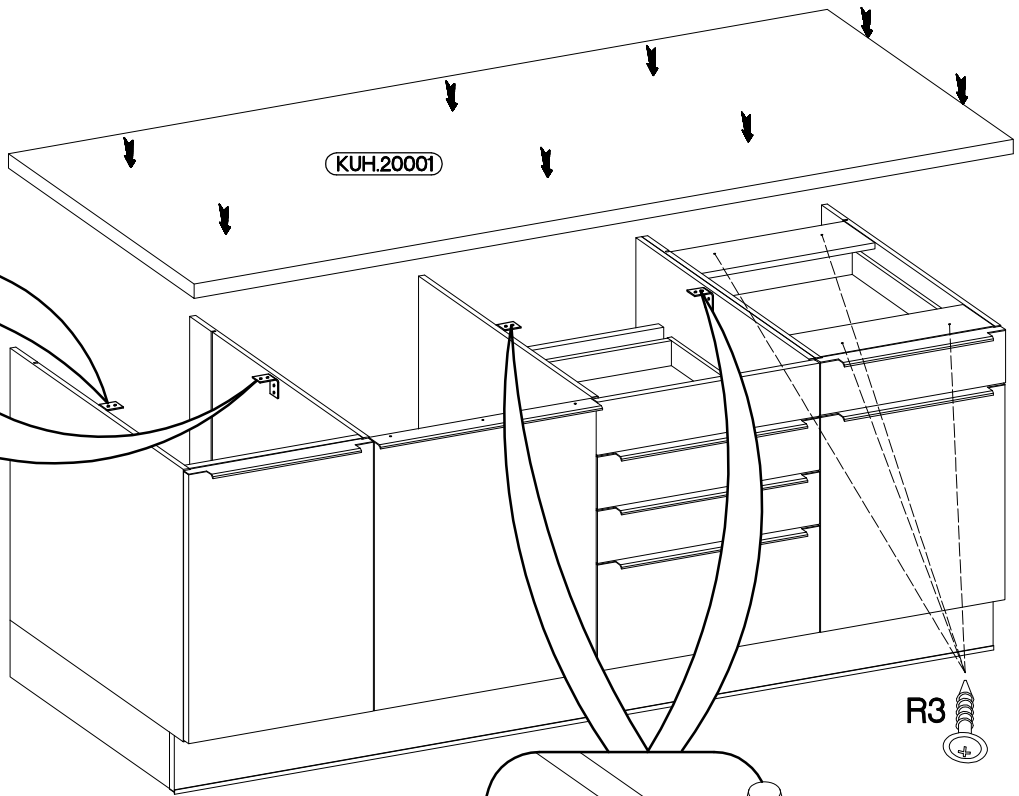
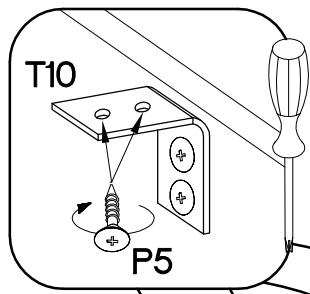



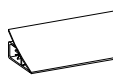
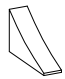
L35

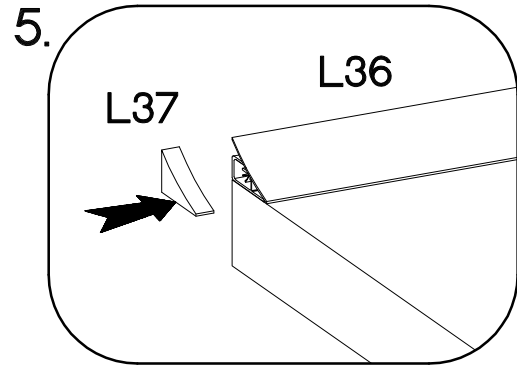
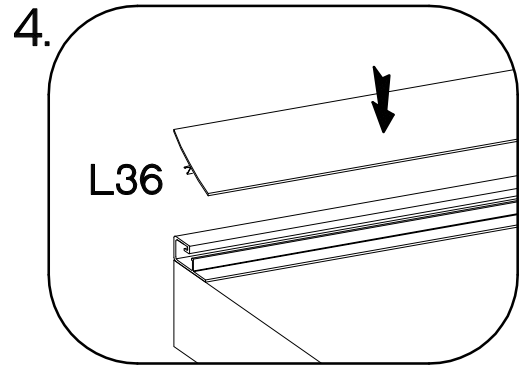
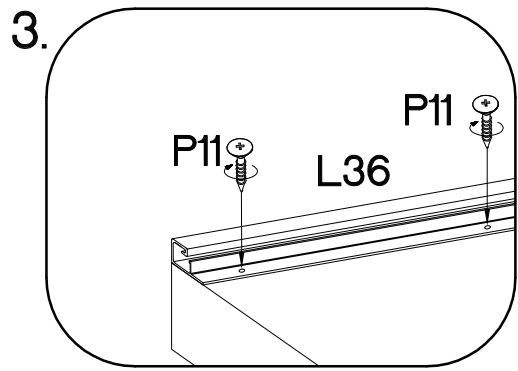
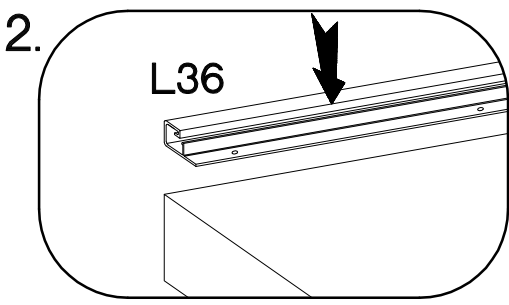
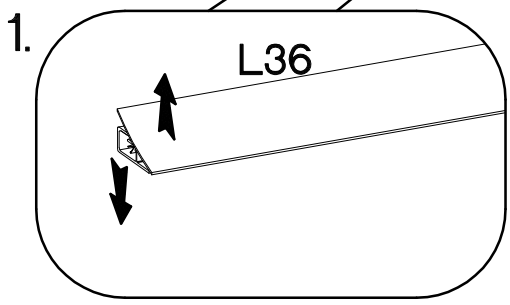
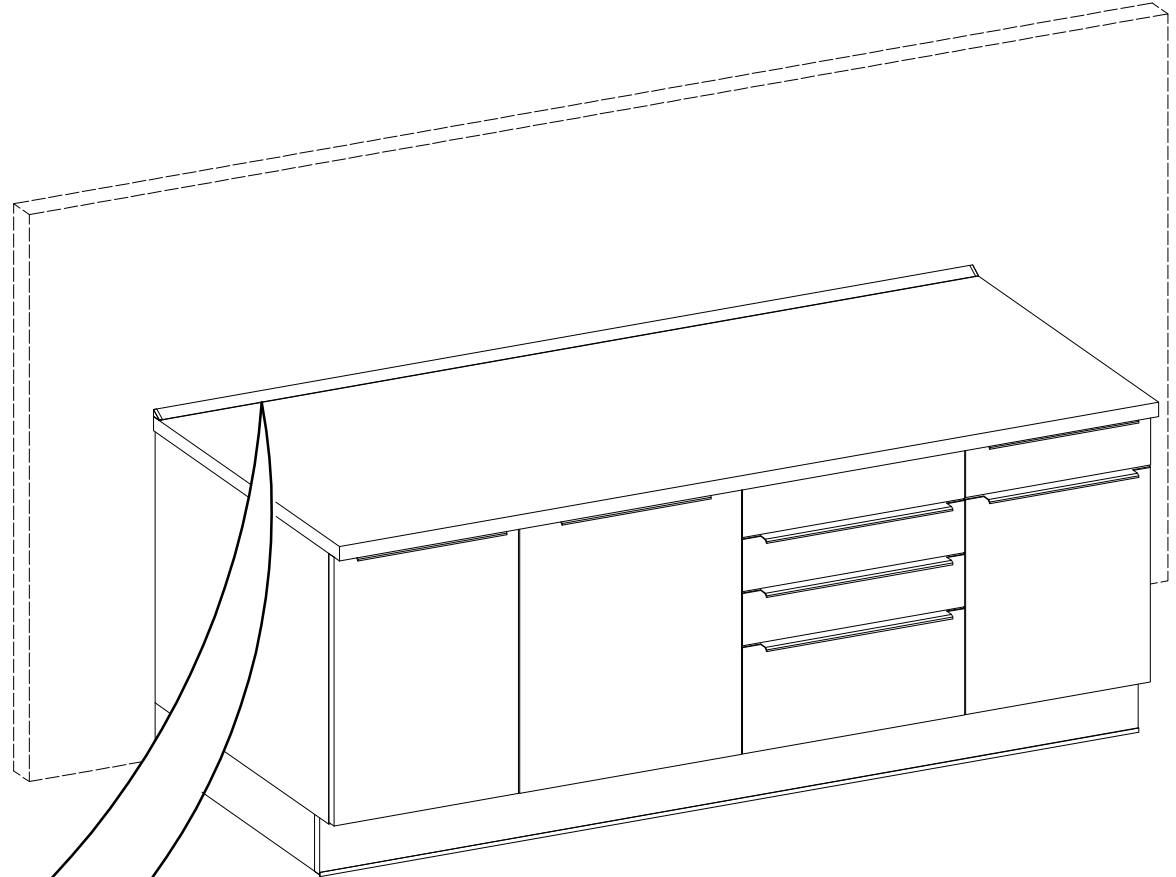
1

3

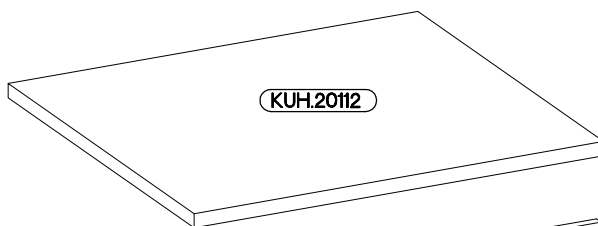
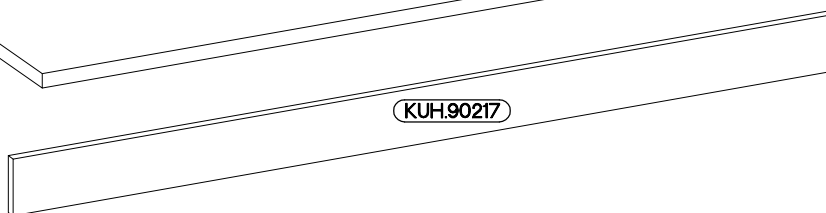
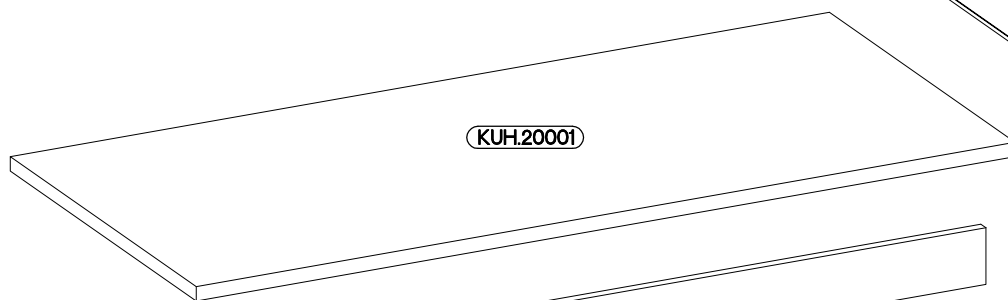
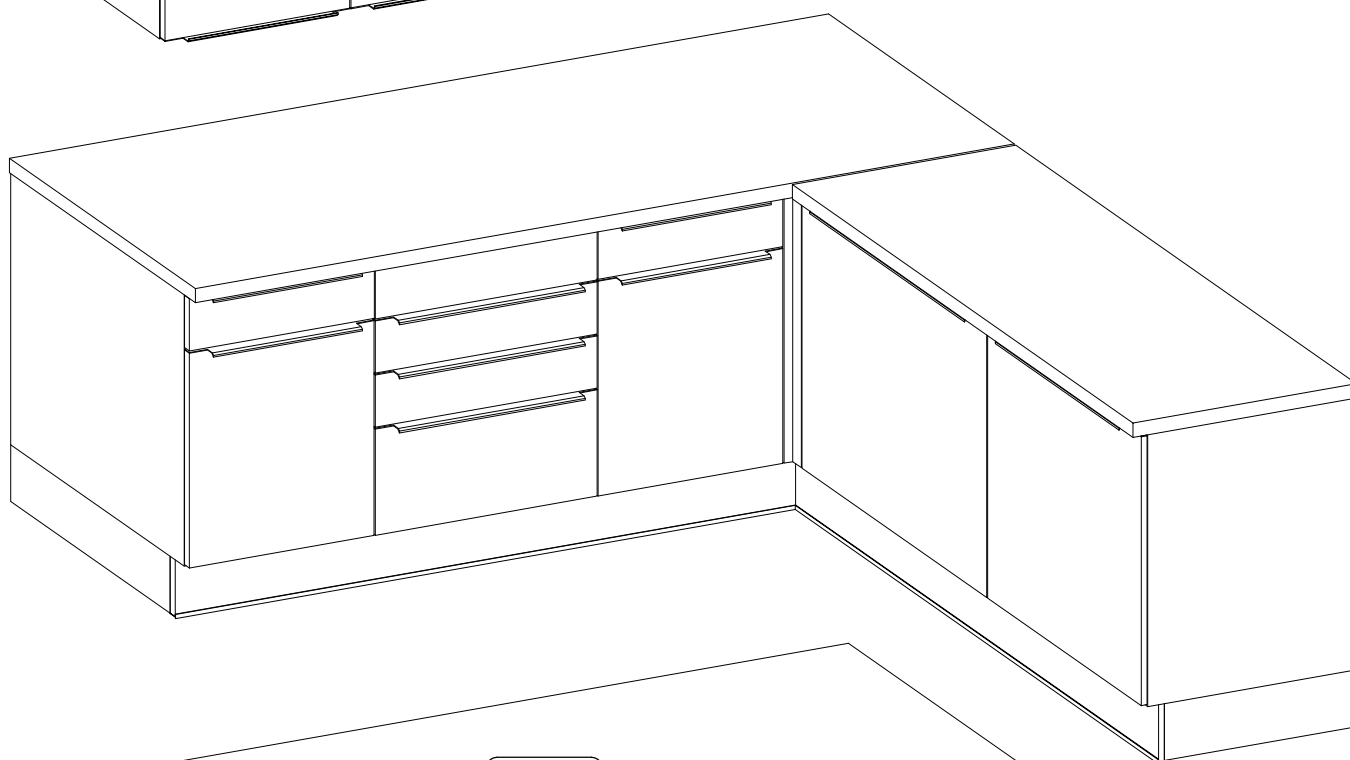
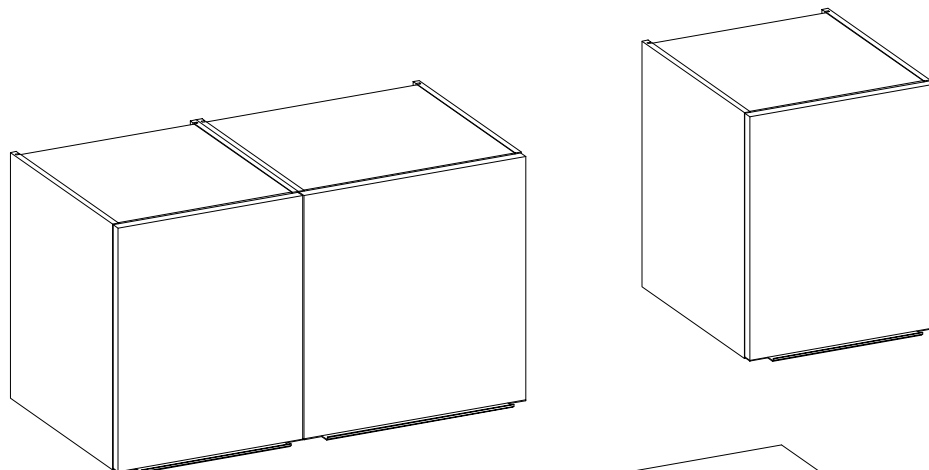
4.0x35mm	3.5x13mm
	
R3	P5
4	8



$\phi 3.0 \times 16 \text{mm}$  P11 8	L=2200mm  L36 1	 L37 2
--	--	--

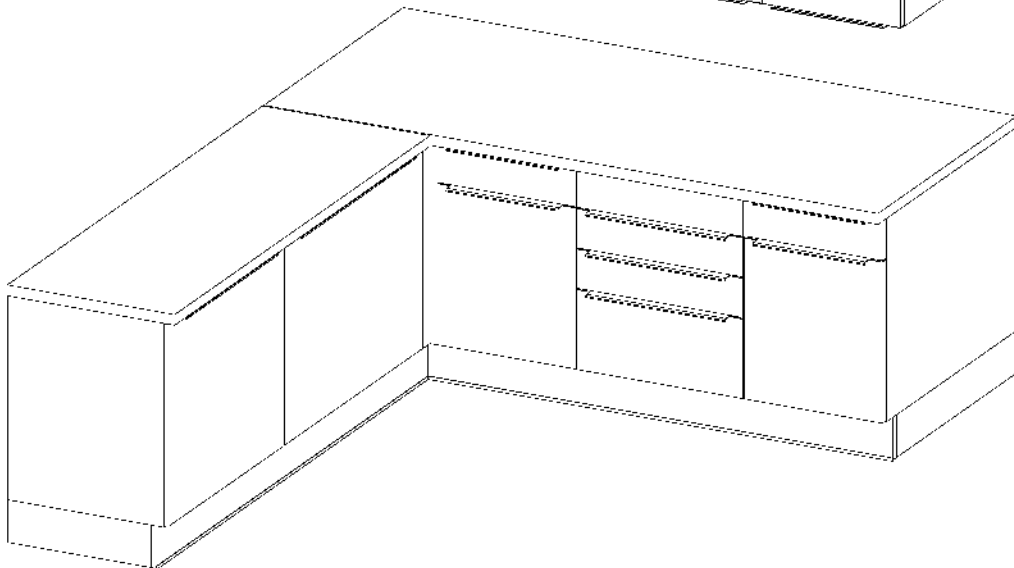
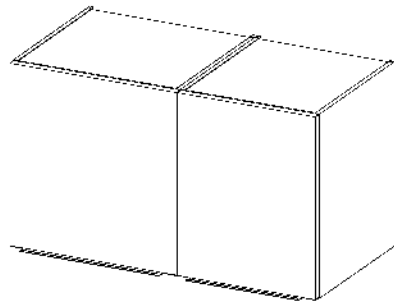
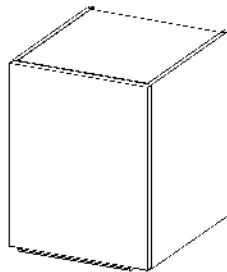
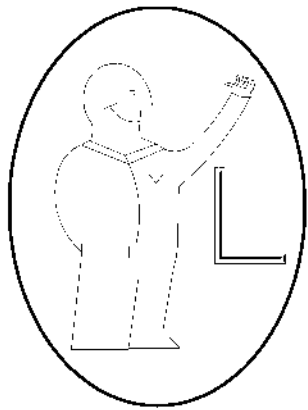
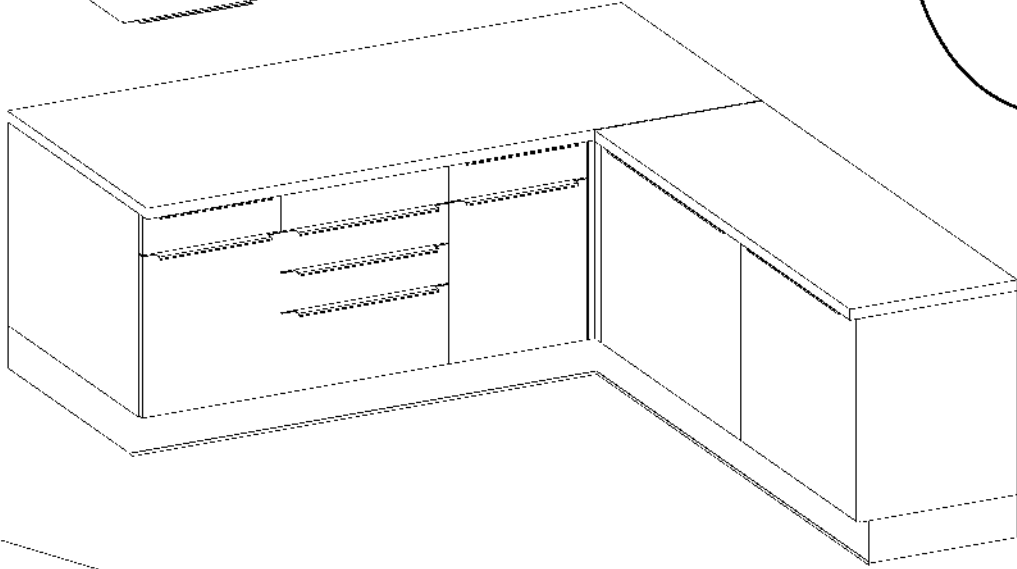
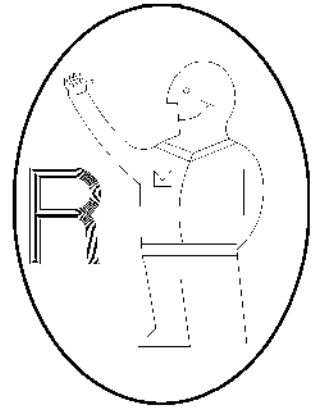
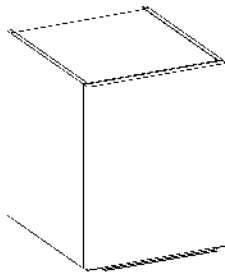
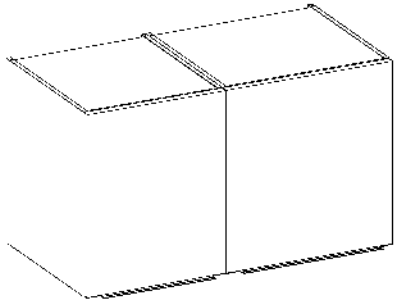


VARIANT 2



Colli	Spare Part	Dimension
Colli 2/2	KUH.20112	1100x600x38
	KUH.90258	1172x150x16

Colli	Spare Part	Dimension
Colli 6/6	KUH.20001	2200x600x38
	KUH.90215 x2	515x150x16
	KUH.90217	2199x150x16

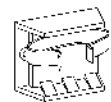


±3.5x13mm



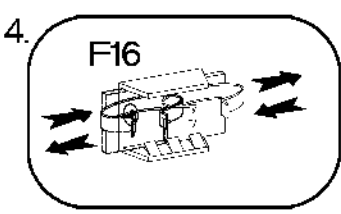
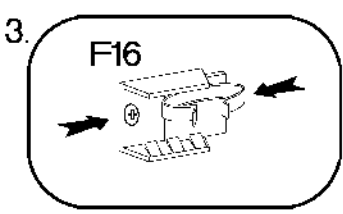
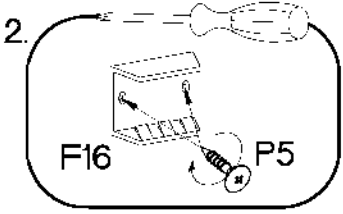
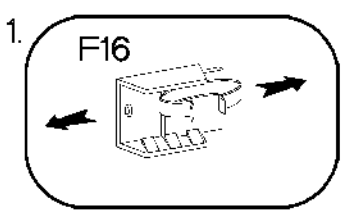
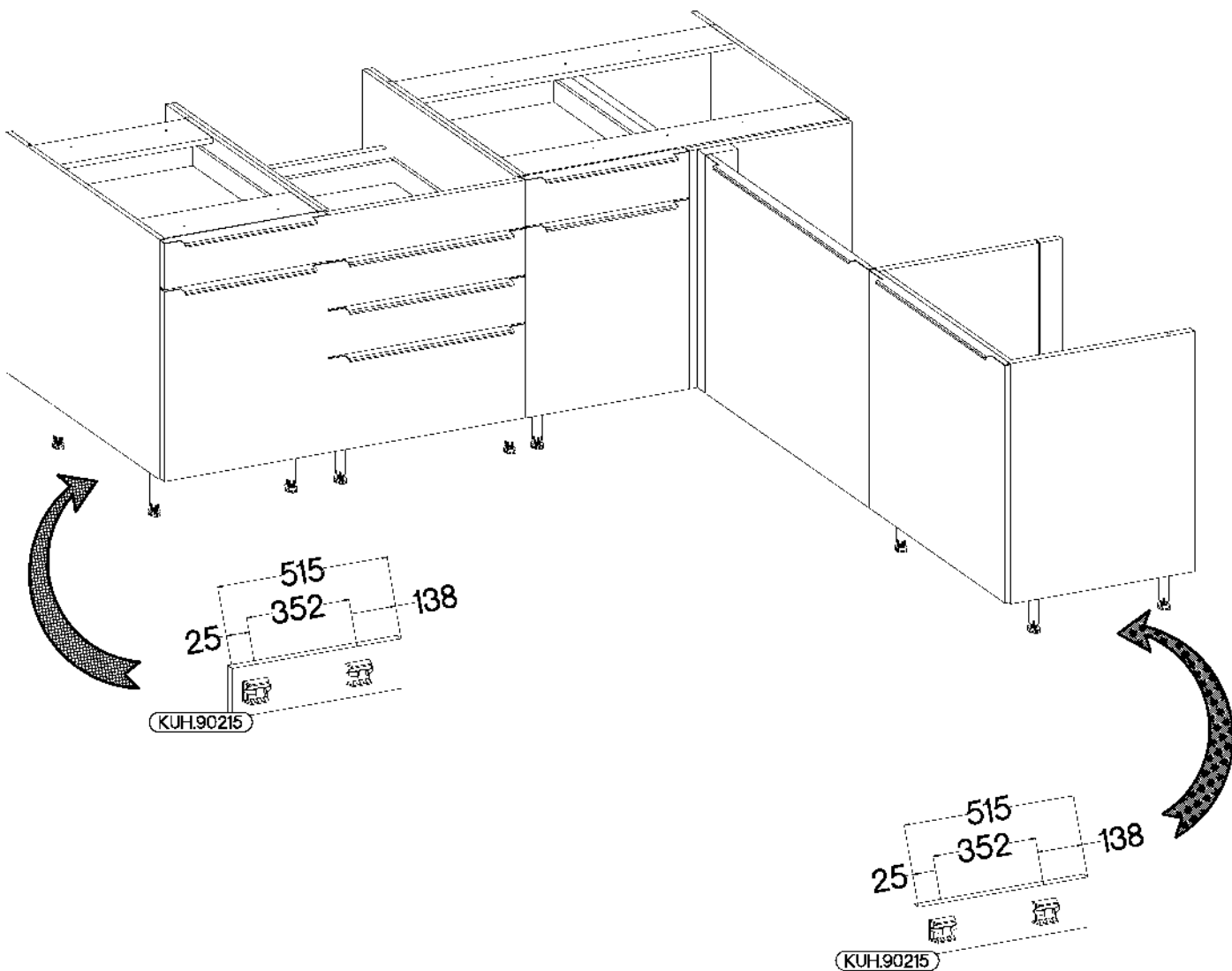
P5




8

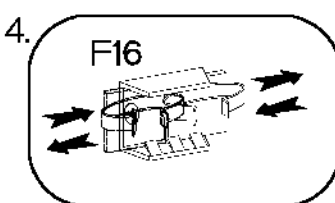
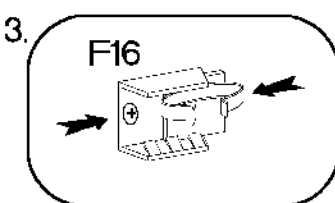
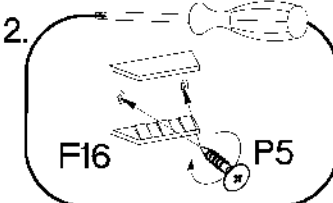
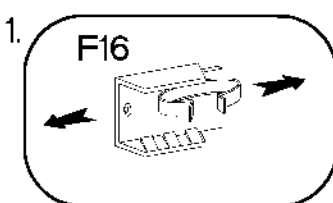
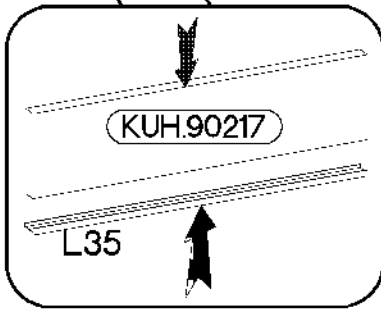
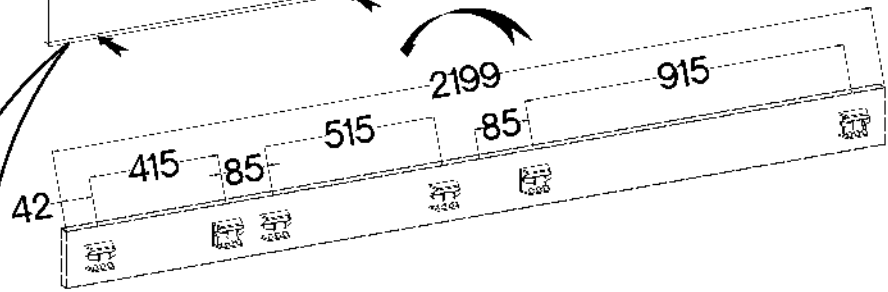
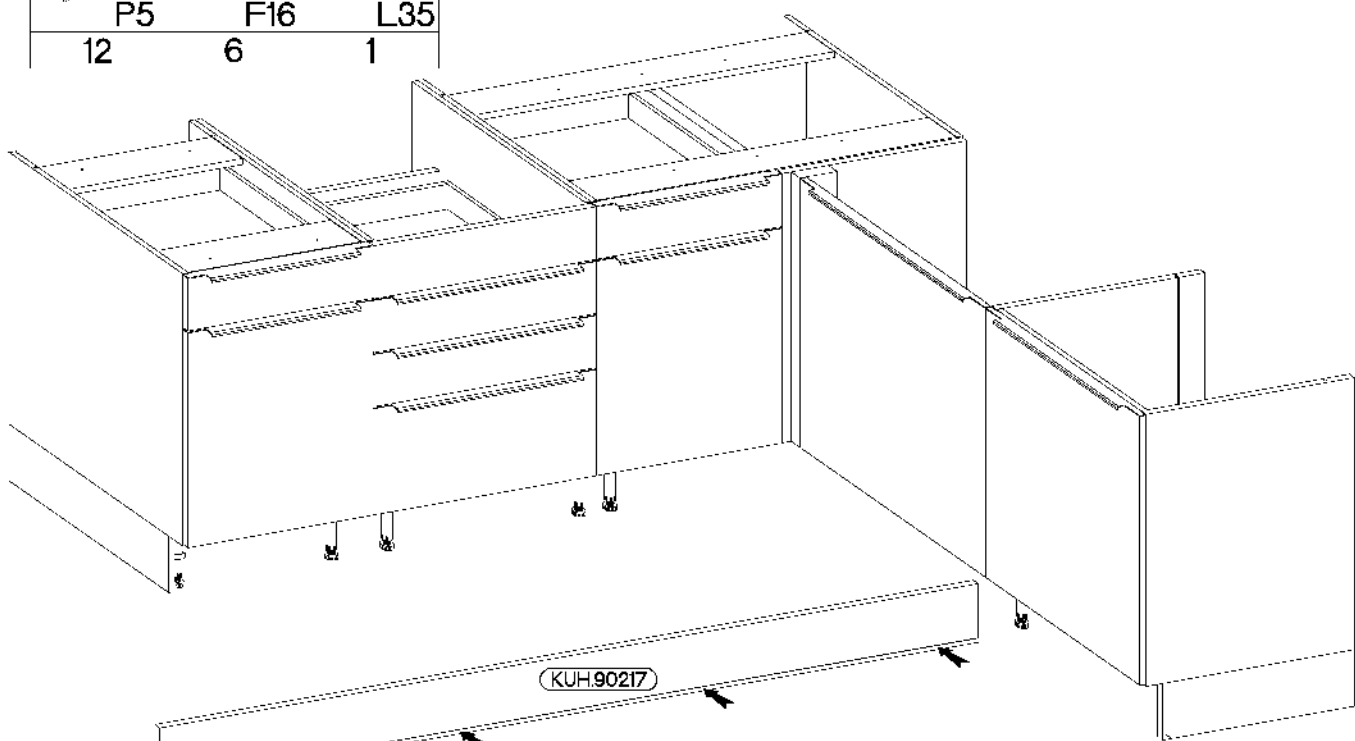


F16

4



+3.5x13mm		L=2200mm	
			
P5	F16	L35	
12	6	1	



7

±3.5x13mm

L=1172mm



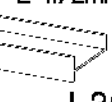
P5

4



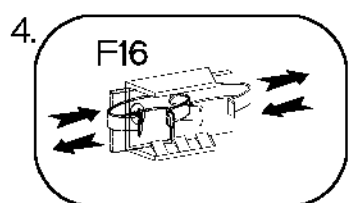
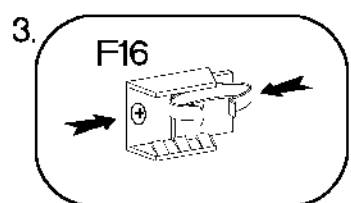
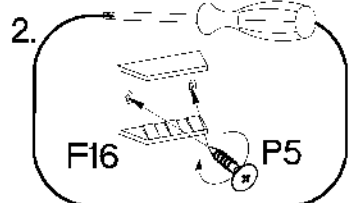
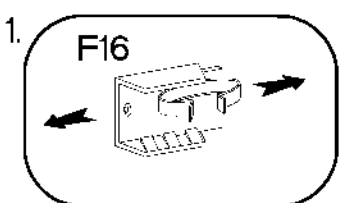
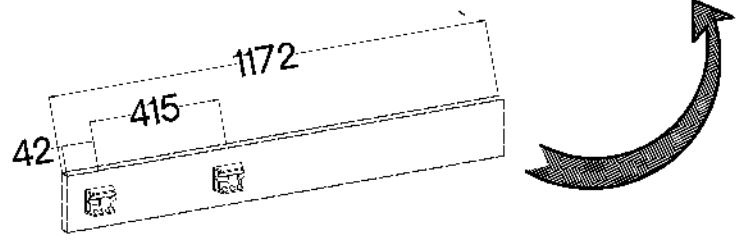
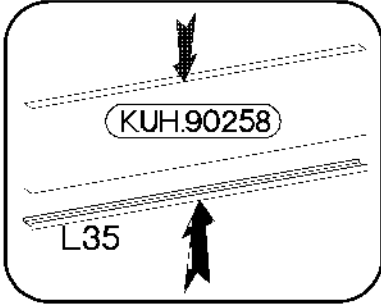
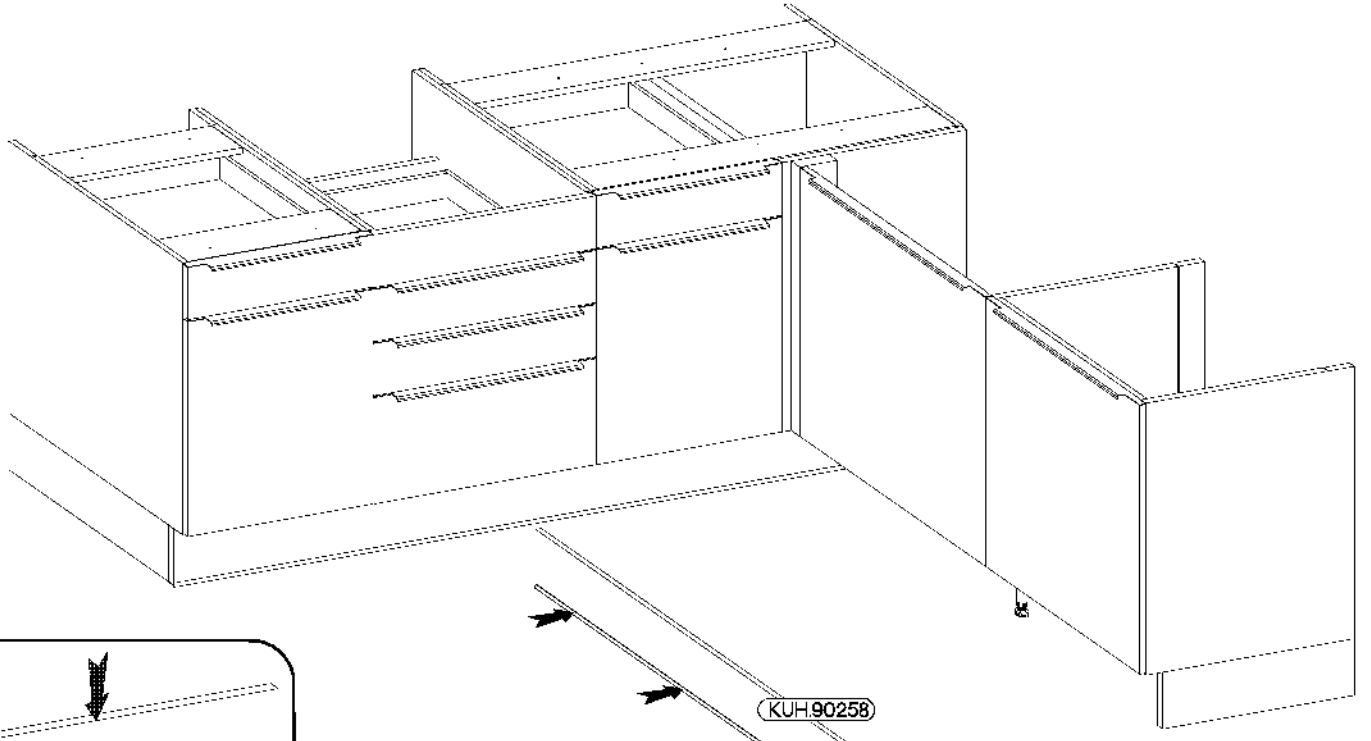
F16

2





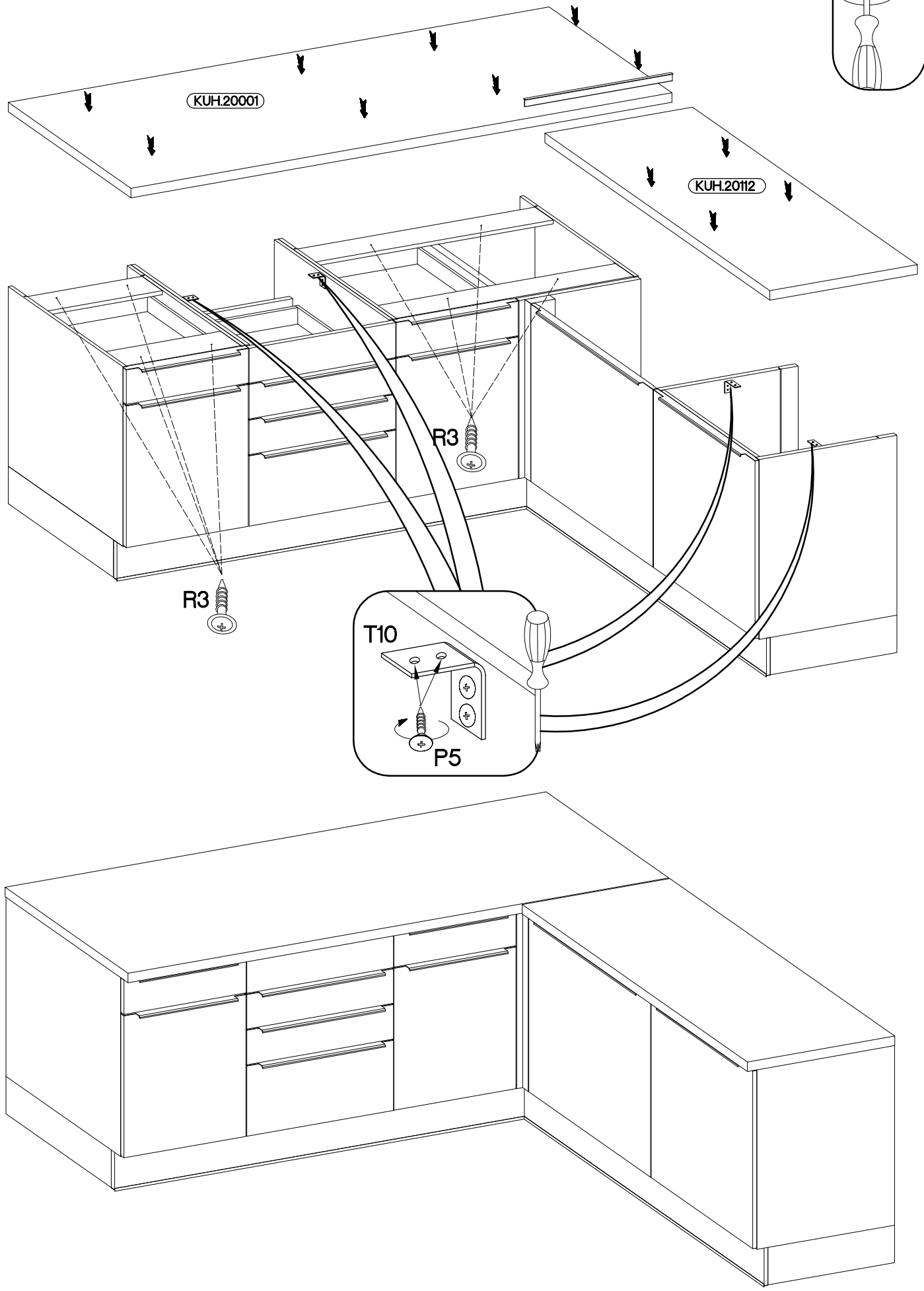
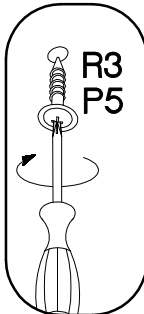
L35

1



4.0x35mm 3.5x13mm

 R3 8	 P5 8
---	---



φ3.0x16mm

L=2200mm



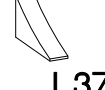
P11

14



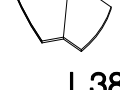
L36

2



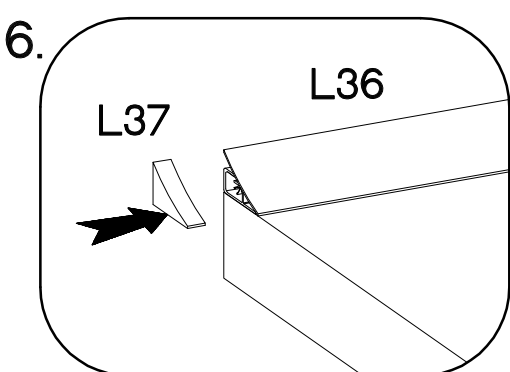
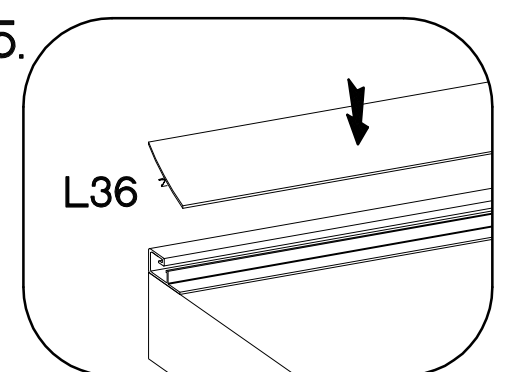
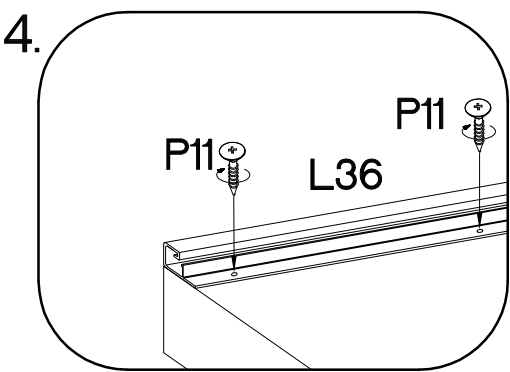
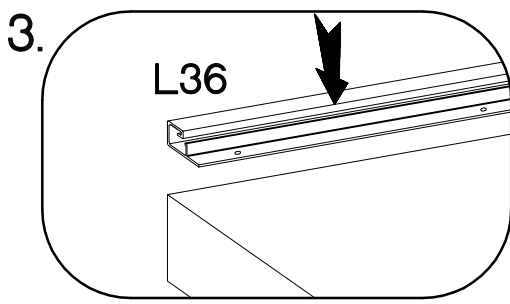
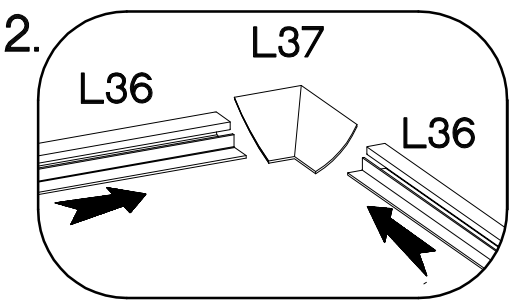
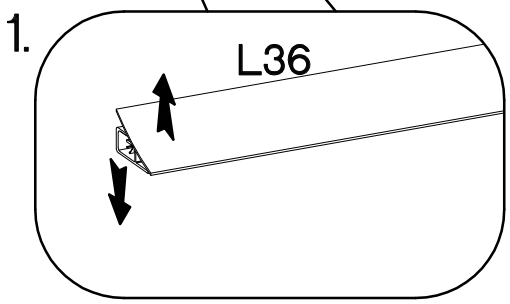
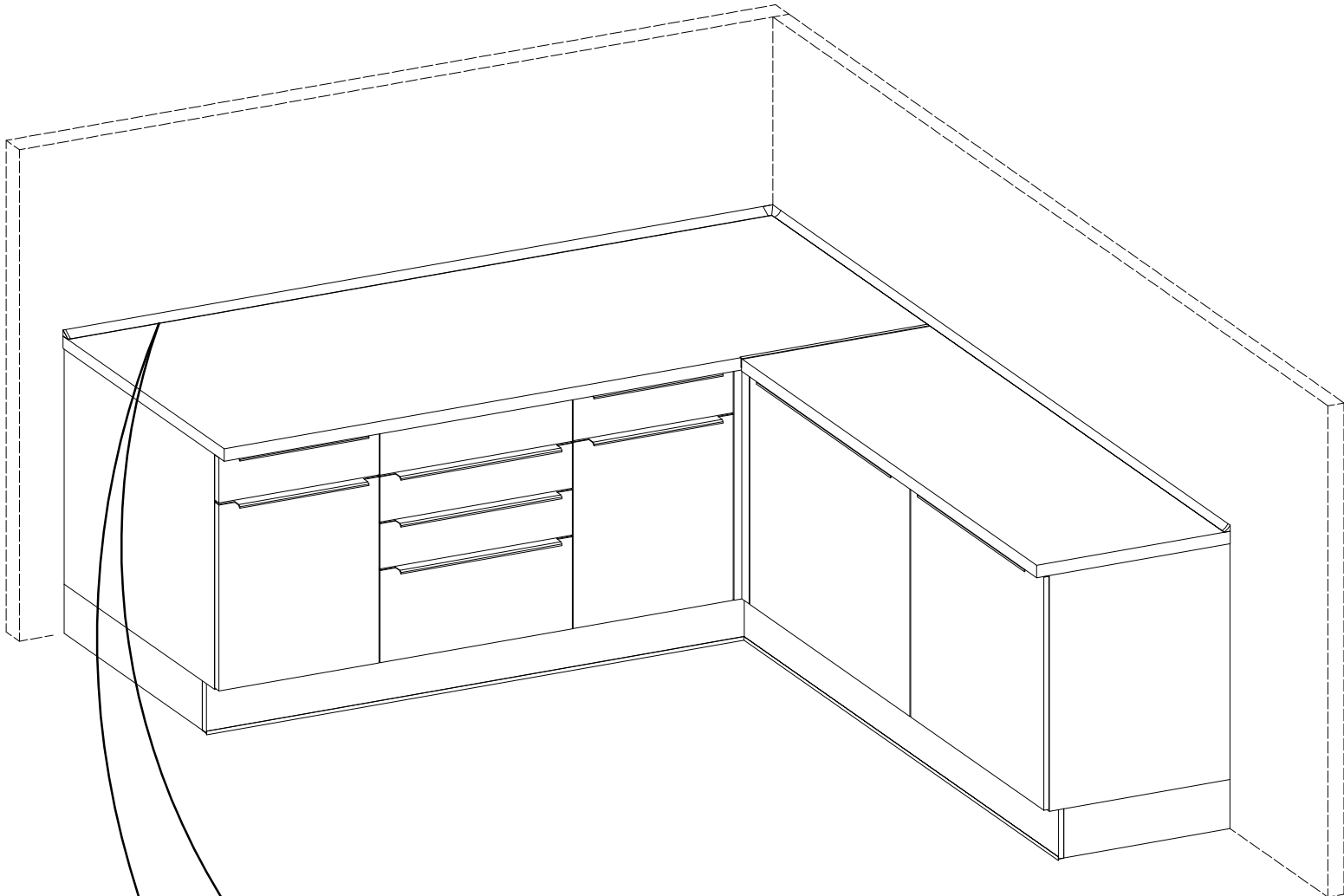
L37

2



L38

1

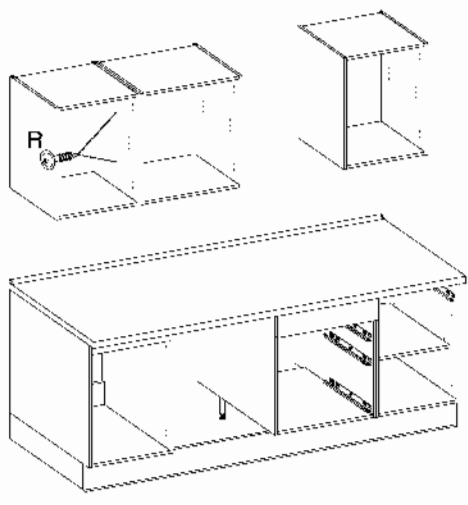


10

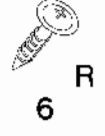
4.0x25mm



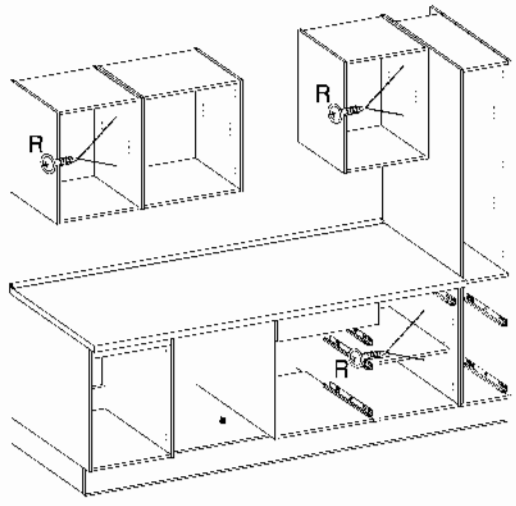
V 1



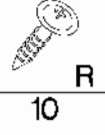
4.0x25mm



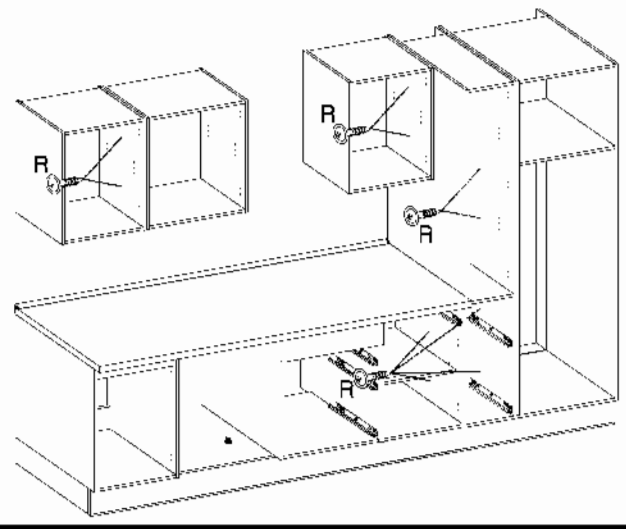
V 2



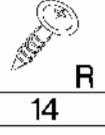
4.0x25mm



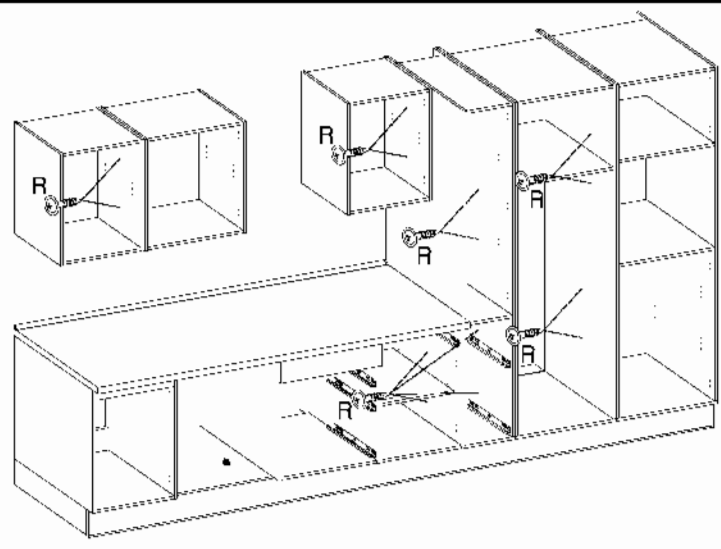
V 3

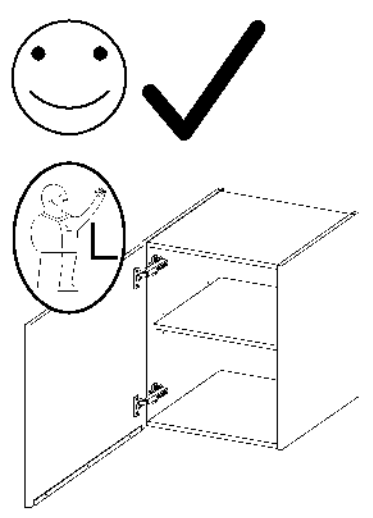
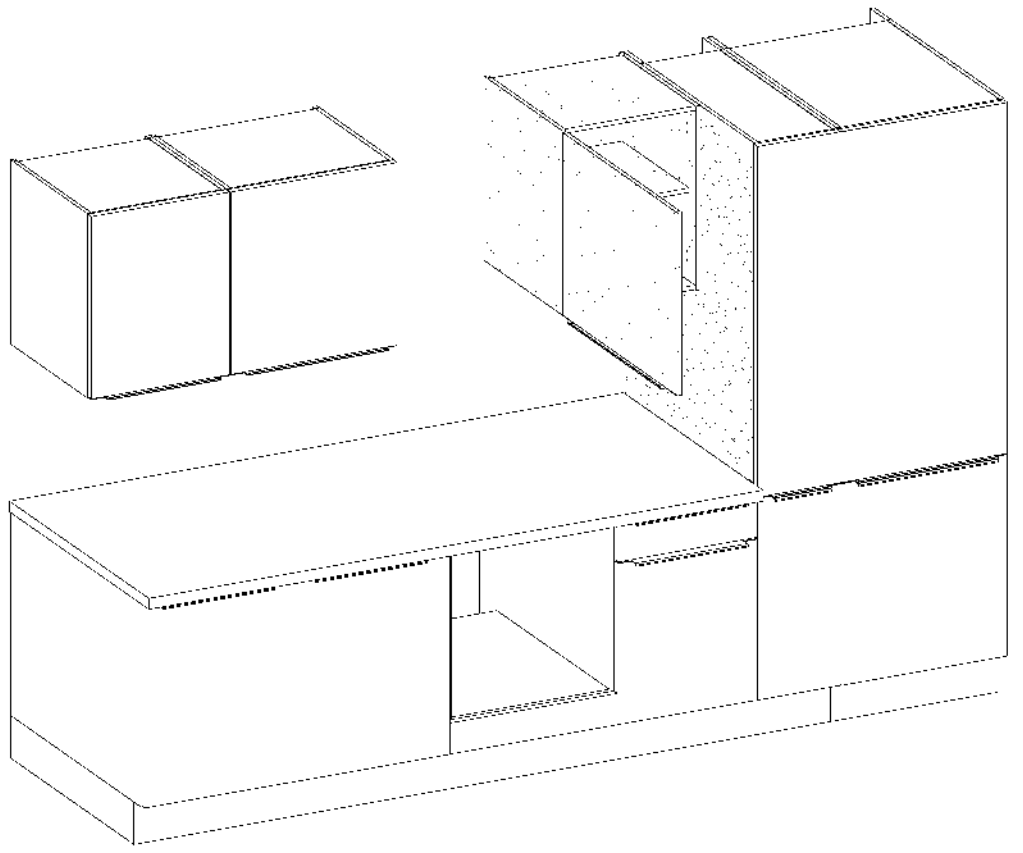
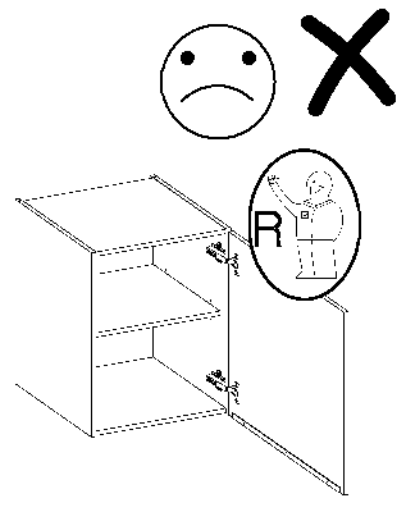
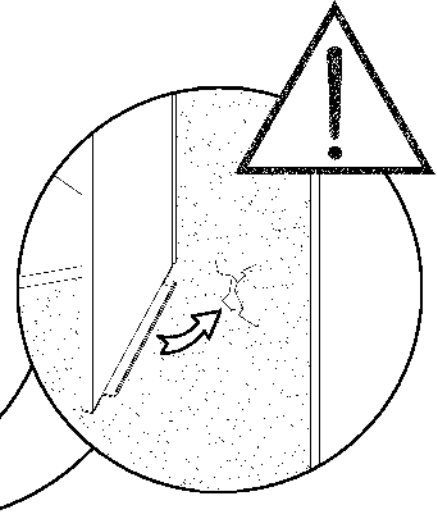
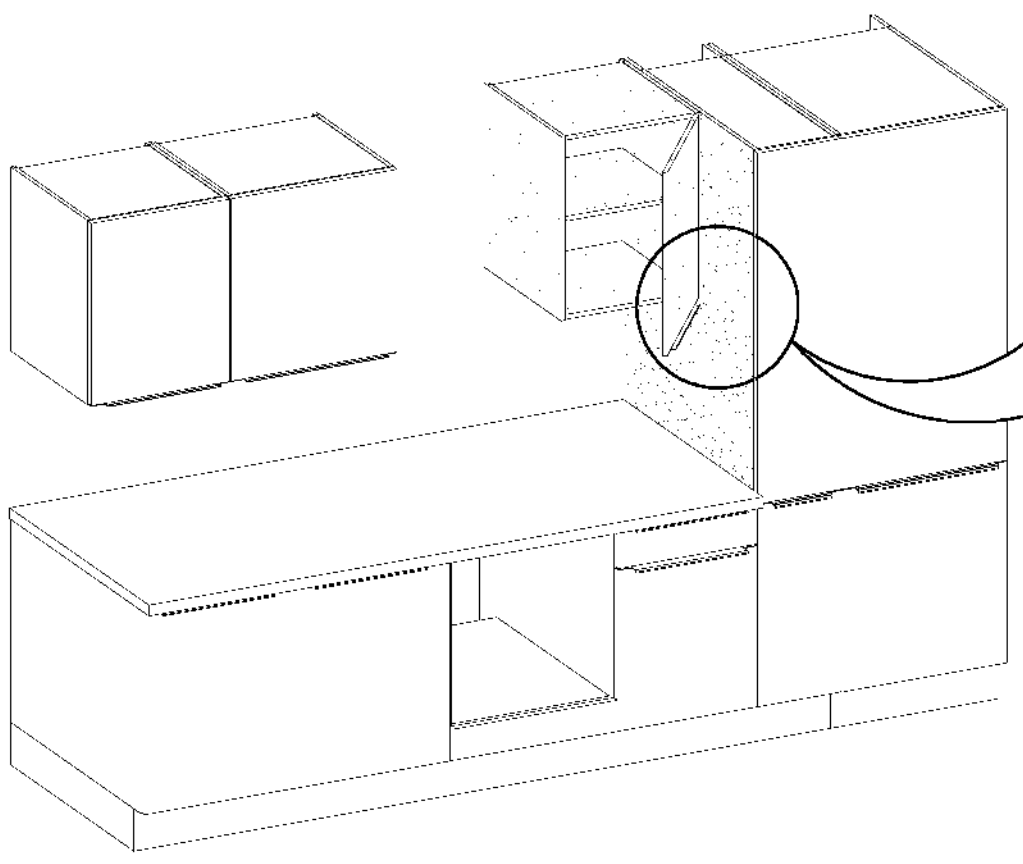


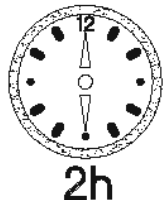
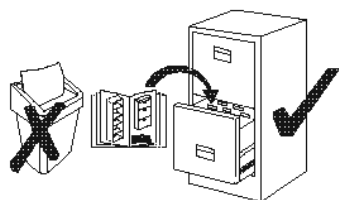
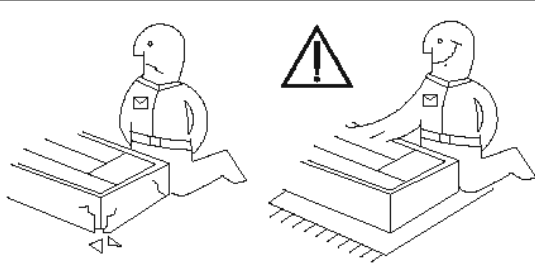
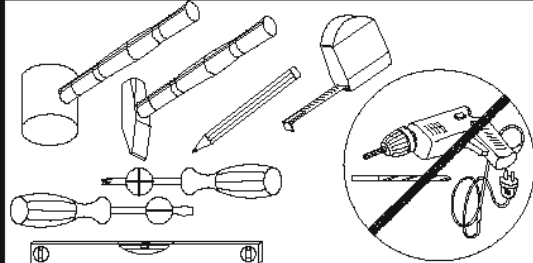
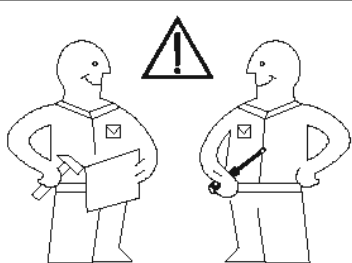
4.0x25mm



V 4





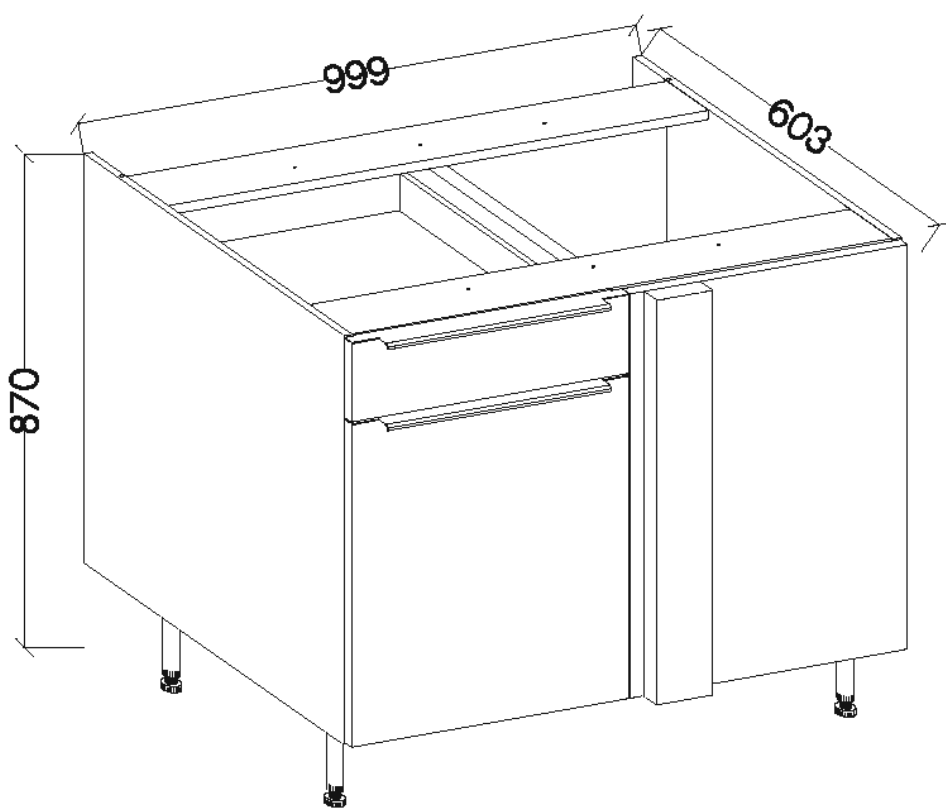


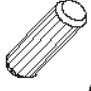


SAFADO / MARLEEN




73-156-...
73-15G-...
73-15H-...







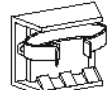

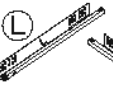


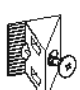









respekta®



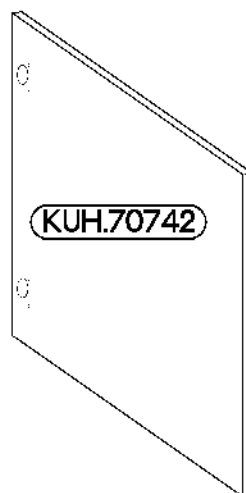
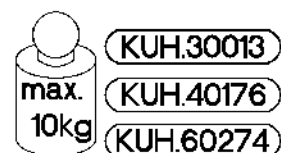
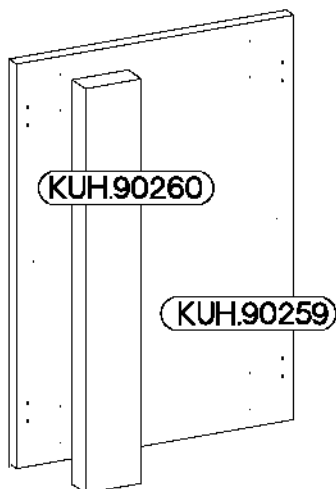
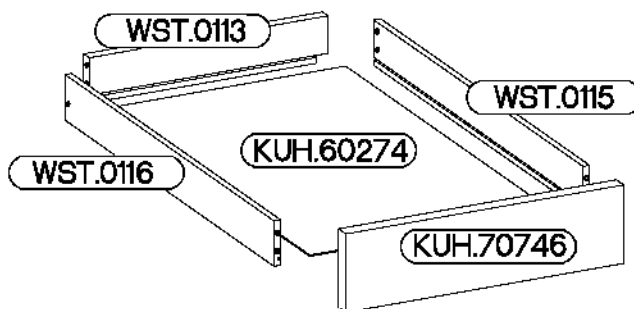
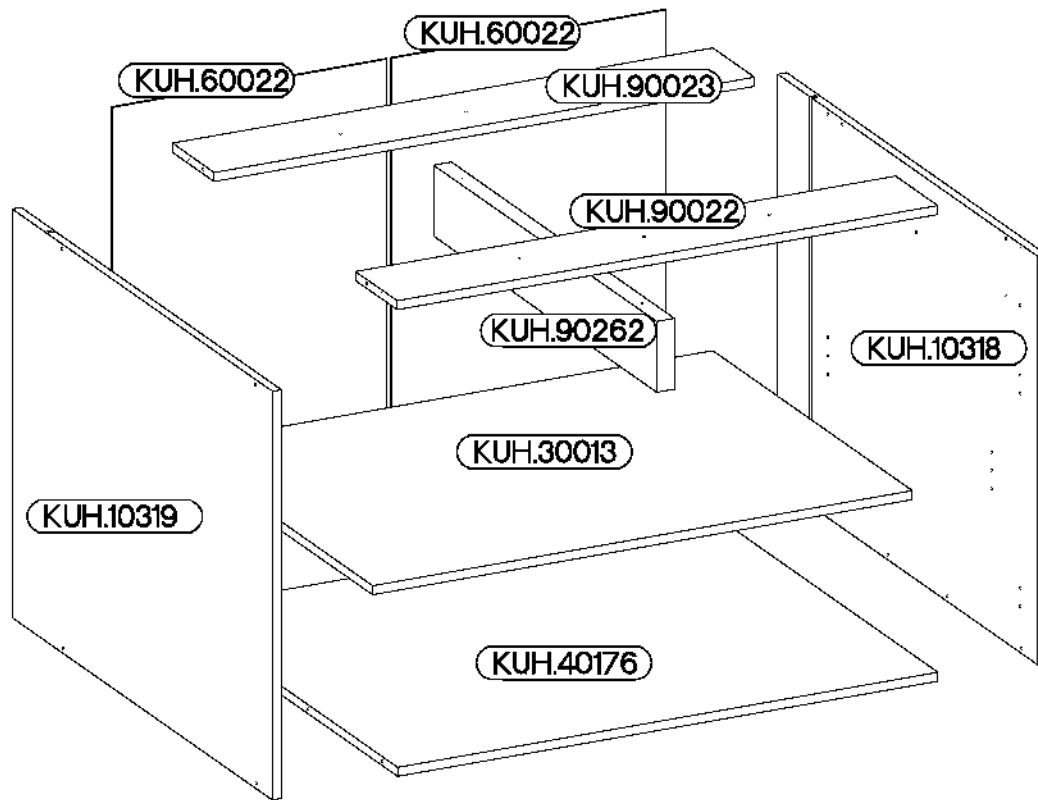
±8x30mm 	6,4 x 50mm 	±6x42mm 
A	B	B2

12	10	2
±12/10mm 	L=20mm 	
C5	D2	E1

±6.3x13mm 		
M2	O	O1

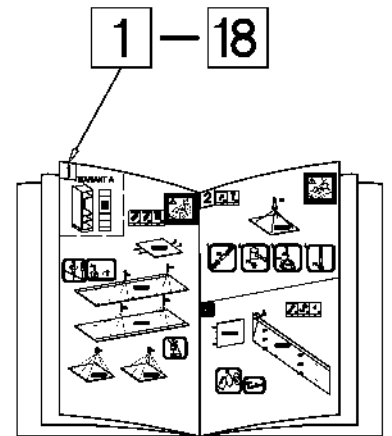
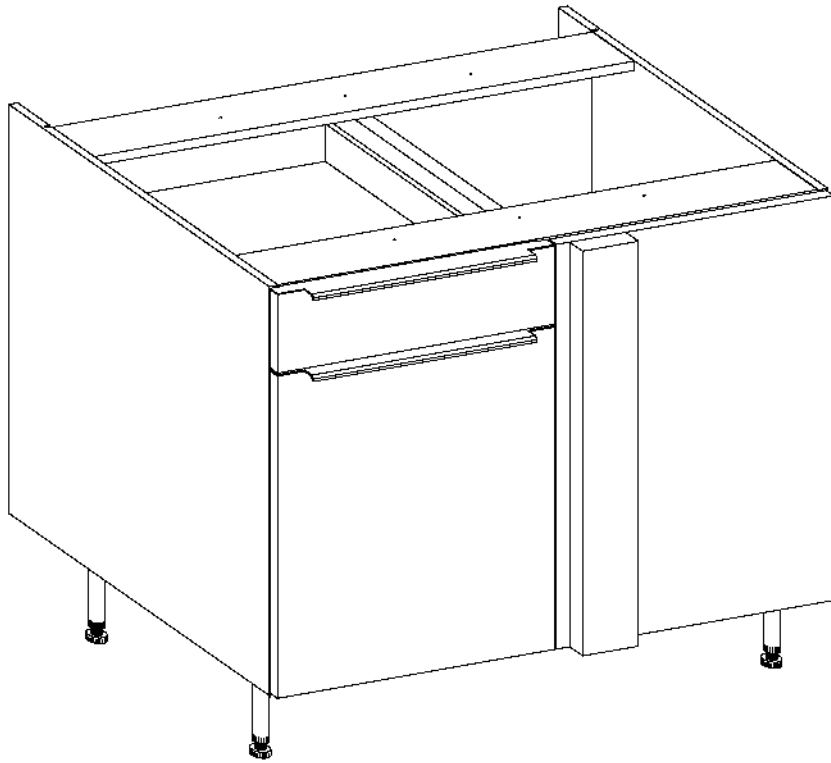
		±35/90° 			±5/16mm 		L=680mm 
F15	F16	HG6	L=450mm	I11	J3	L	L1
4	2	2	1	1	4	2	1
±4.0x16mm 	±3.5x13mm 	±3.0x20mm 	±4.0x30mm 	±3.0x16mm 	±4.0x35mm 	L=495mm 	
P1	P5	P7	P8	P11	R3	SL50	T3
10	24	15-20	2	6	4	2	5

ISM-KUH-01596

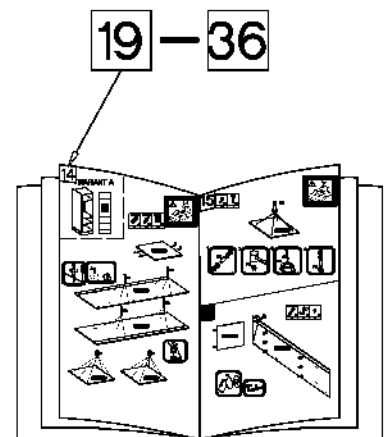
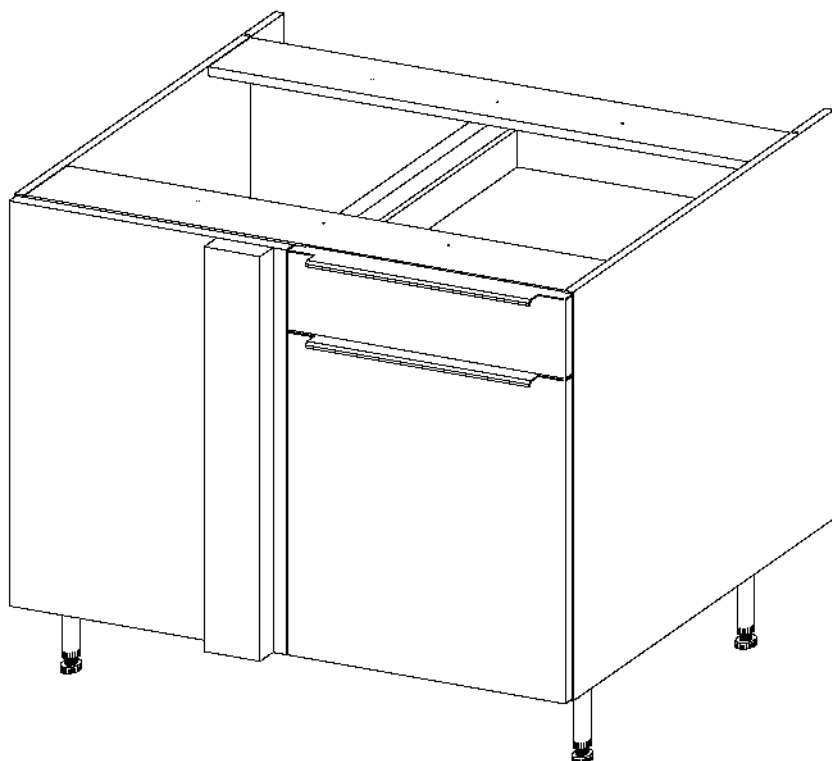


Colli	Spare Part	Dimension
Colli 1/2	KUH.10318	720x560x16
	KUH.10319	720x560x16
	KUH.30013	966x430x16
	KUH.40176	967x485x16
	KUH.60022 x2	713x491x2,5
	KUH.60274	448x437x2,5
	KUH.70742	568x496x16
	KUH.70746	138x496x16
	KUH.90259	713x496x16
	KUH.90260	713x100x28
	KUH.90262	480x125x32
	WST.0113	427x80x12
	WST.0115	450x80x12
WST.0116	450x80x12	
Colli 2/2	KUH.90022	967x90x16
	KUH.90023	967x90x16

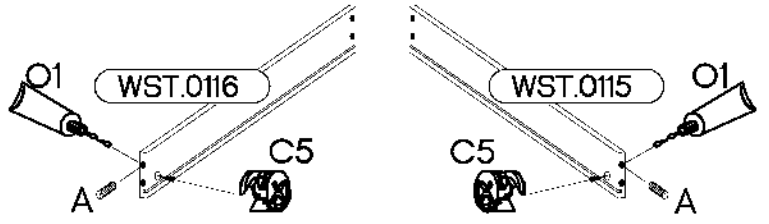
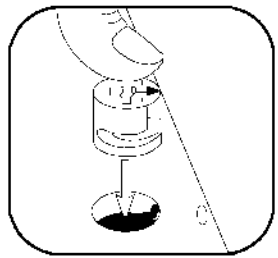
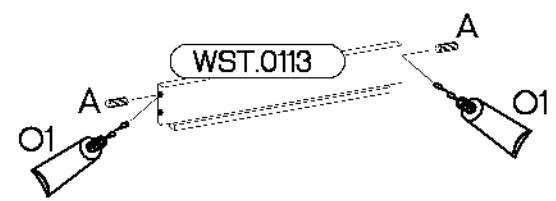
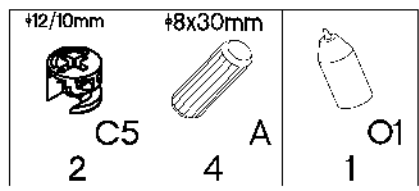
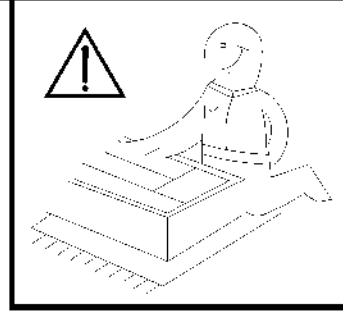
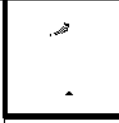
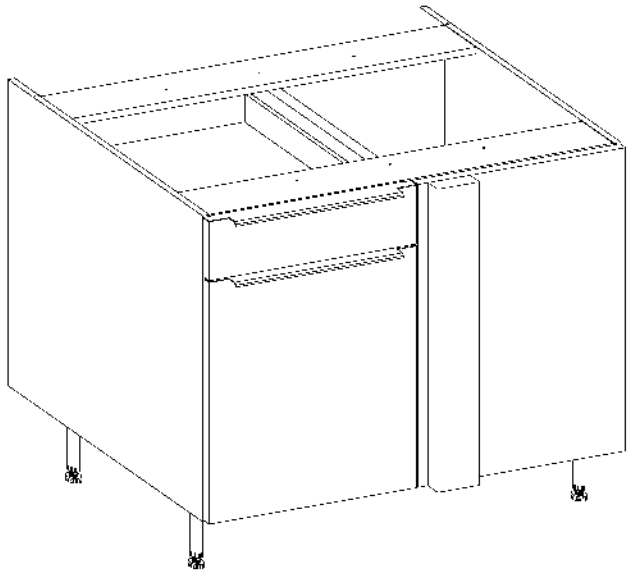
VARIANT L



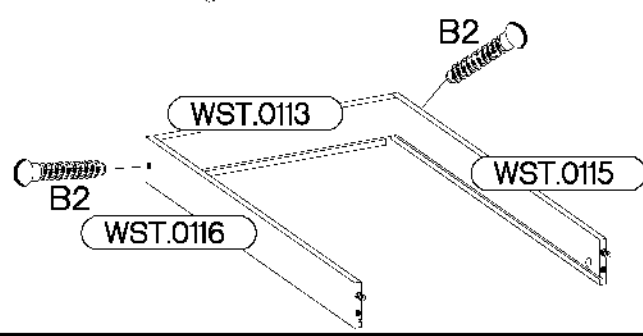
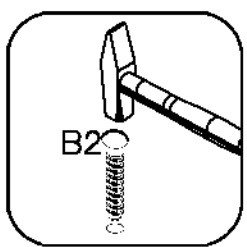
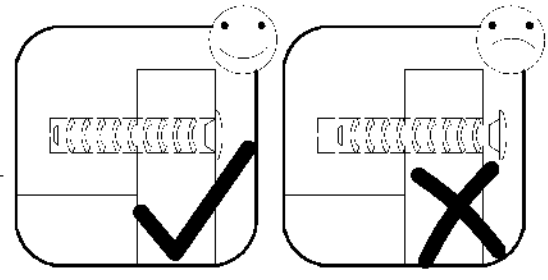
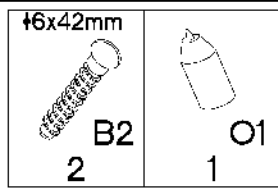
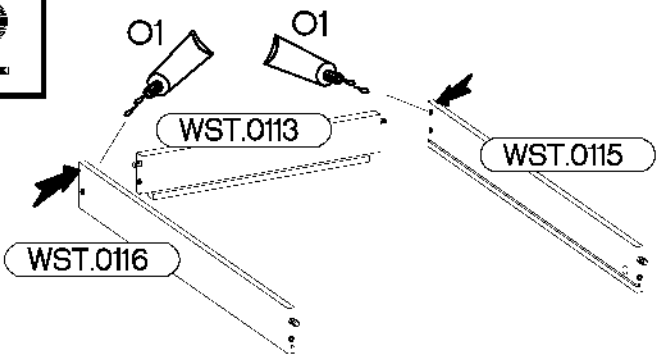
VARIANT R



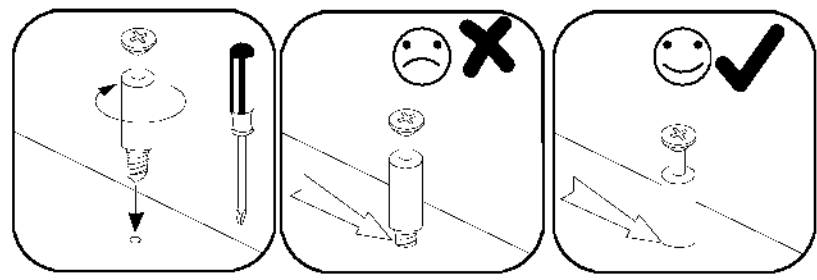
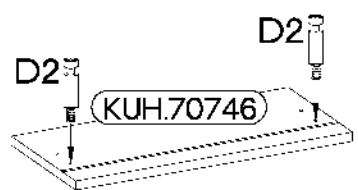
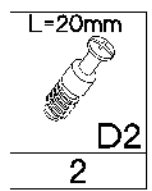
VARIANT L



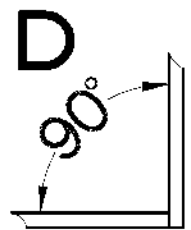
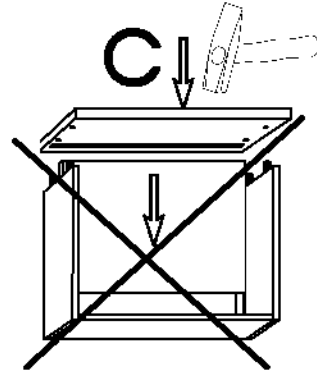
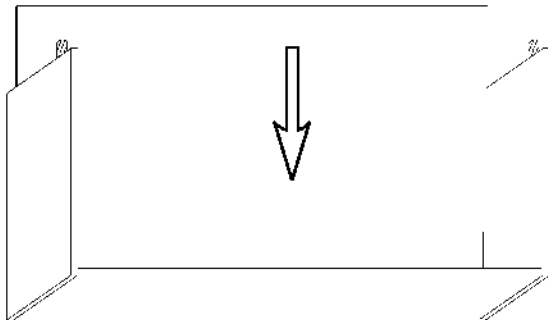
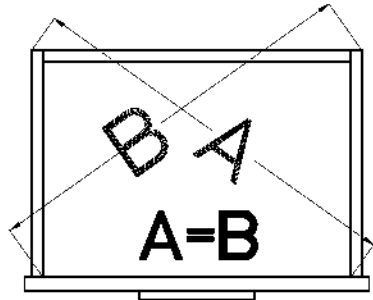
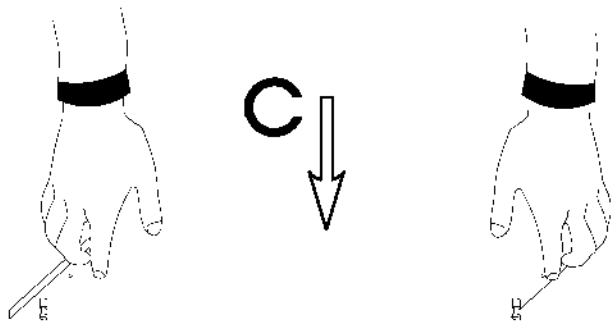
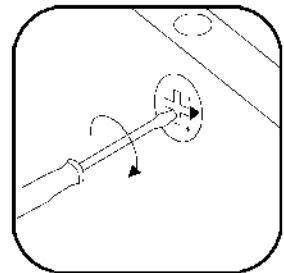
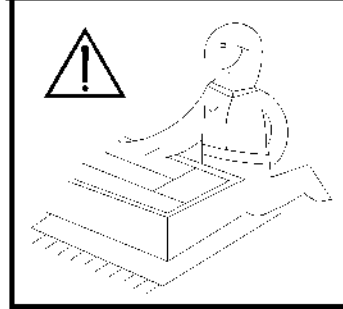
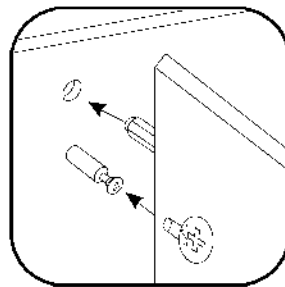
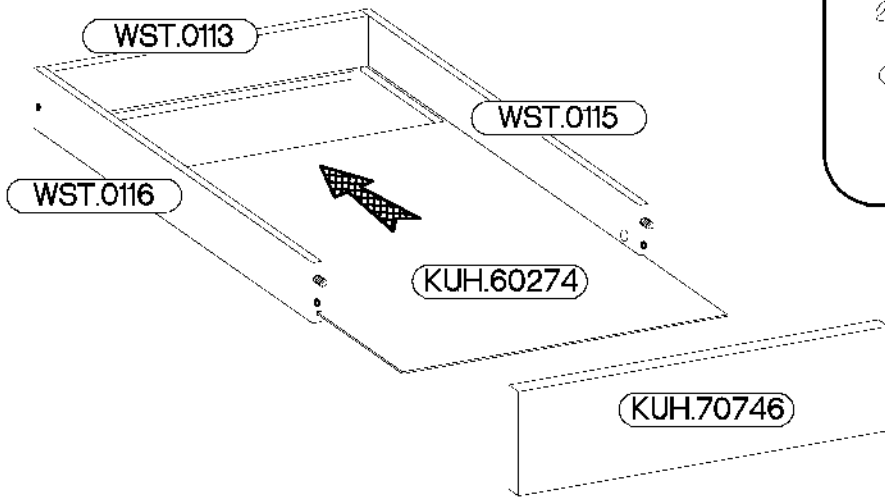
2



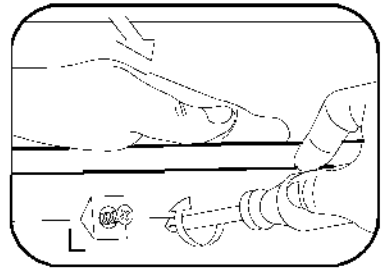
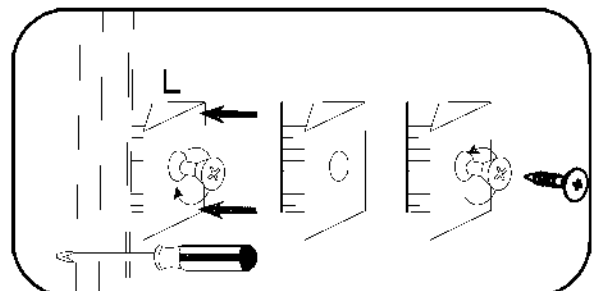
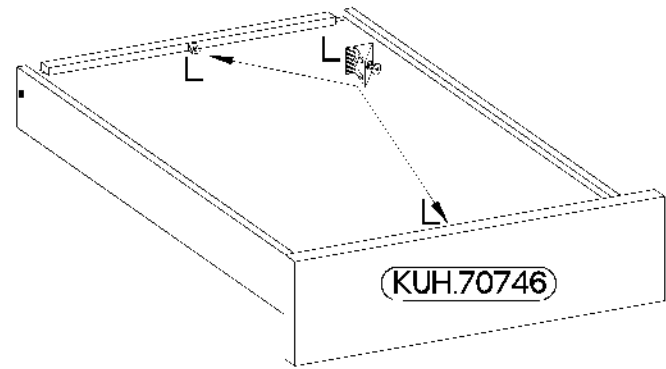
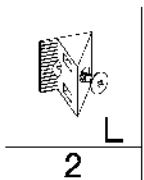
3



4



5



6

±8x30mm



4

L



A L=450mm

1

R

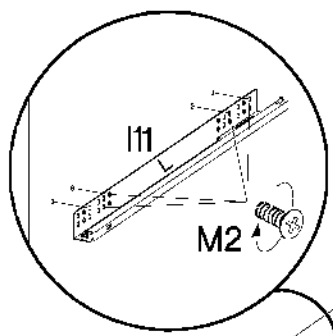
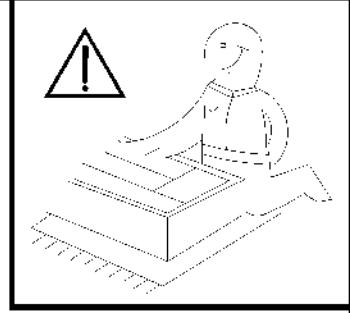
I11

±6.3x13mm



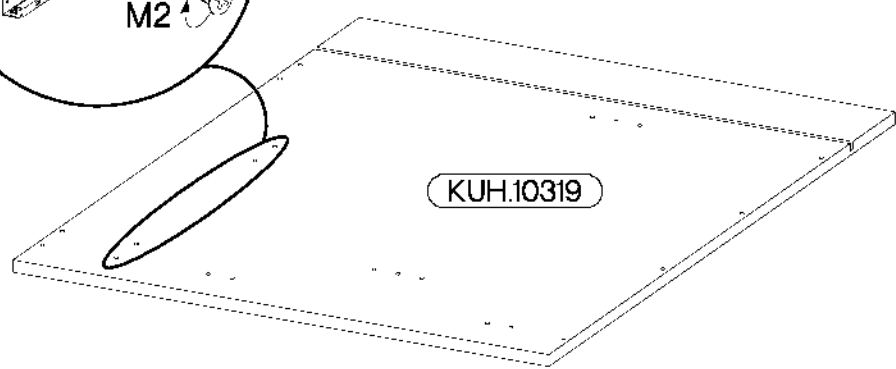
8

M2

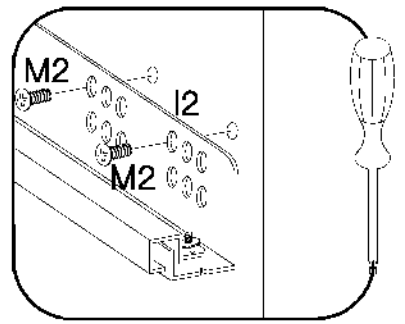


I11

M2



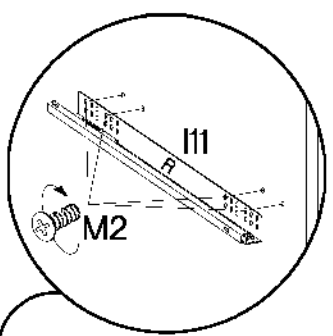
KUH.10319



M2

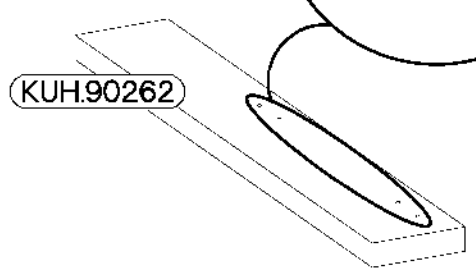
I2

M2

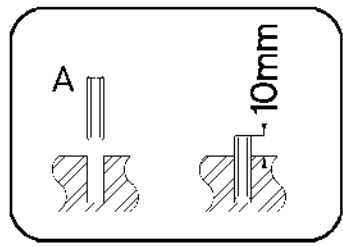


M2

I11

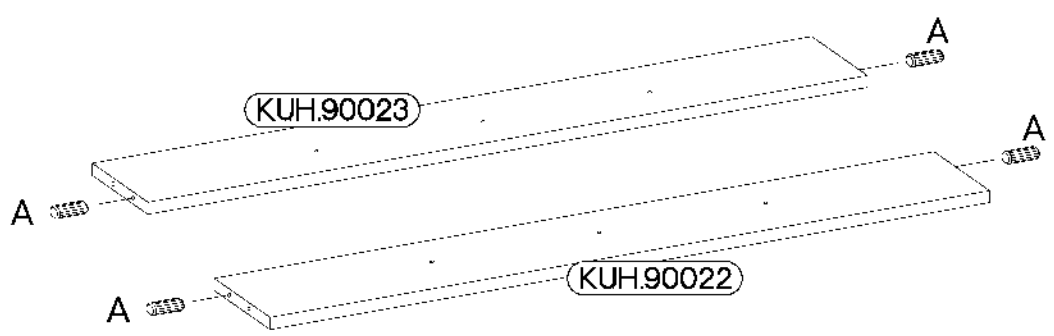


KUH.90262



A

L=10mm



KUH.90023

KUH.90022

A

A

A

A



φ3.5x13mm



P5

16



F15

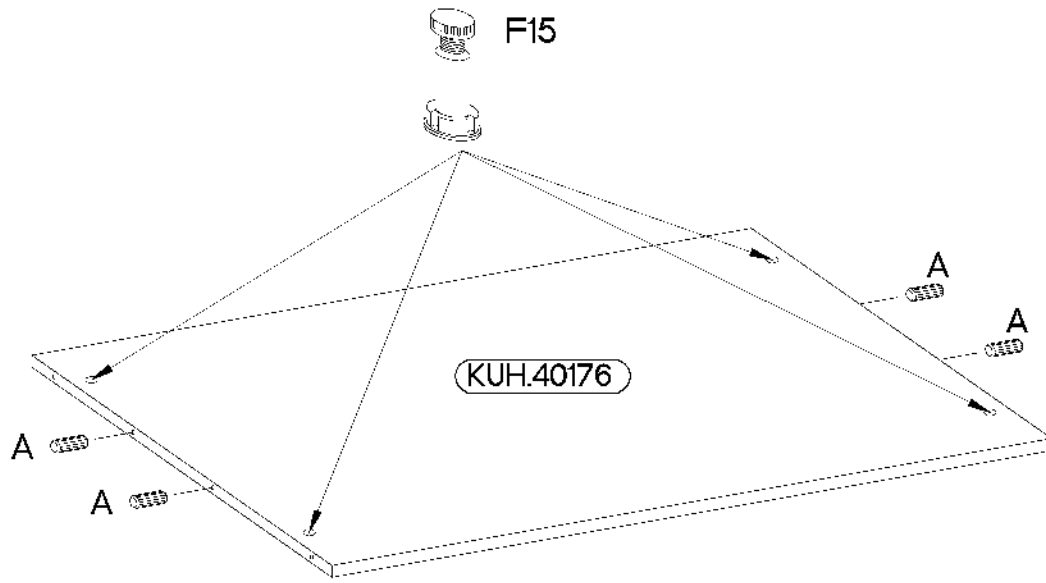
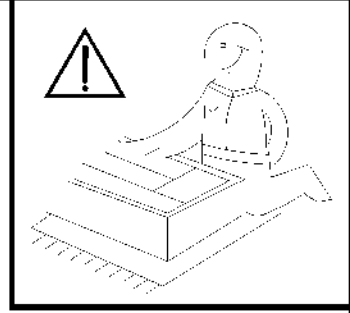
4

φ8x30mm

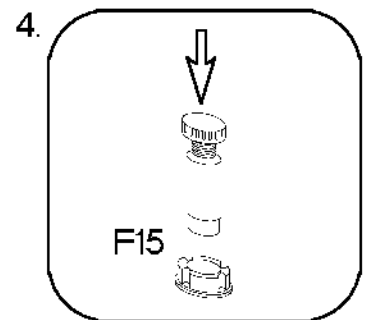
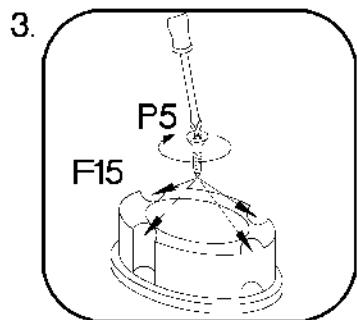
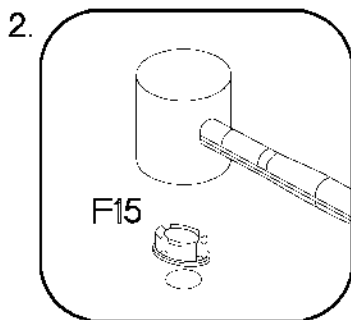
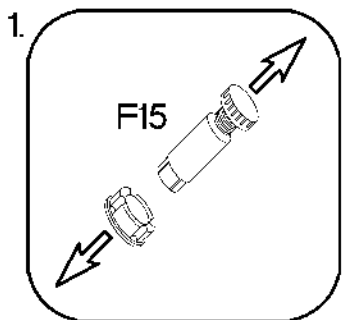
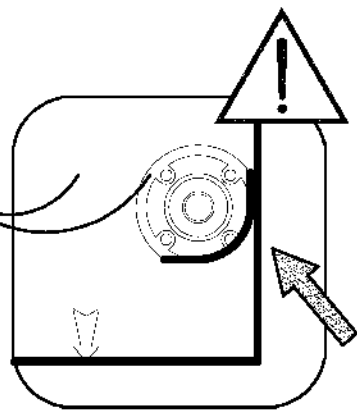


A

4



967





6,4 x 50mm



B

4



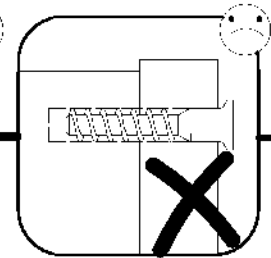
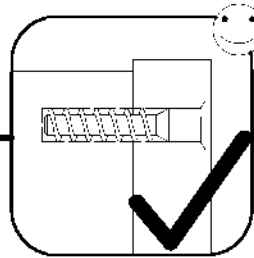
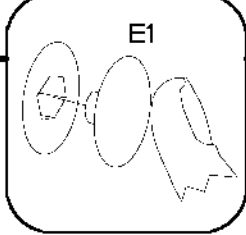
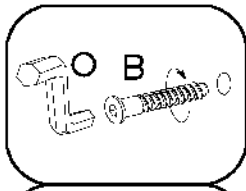
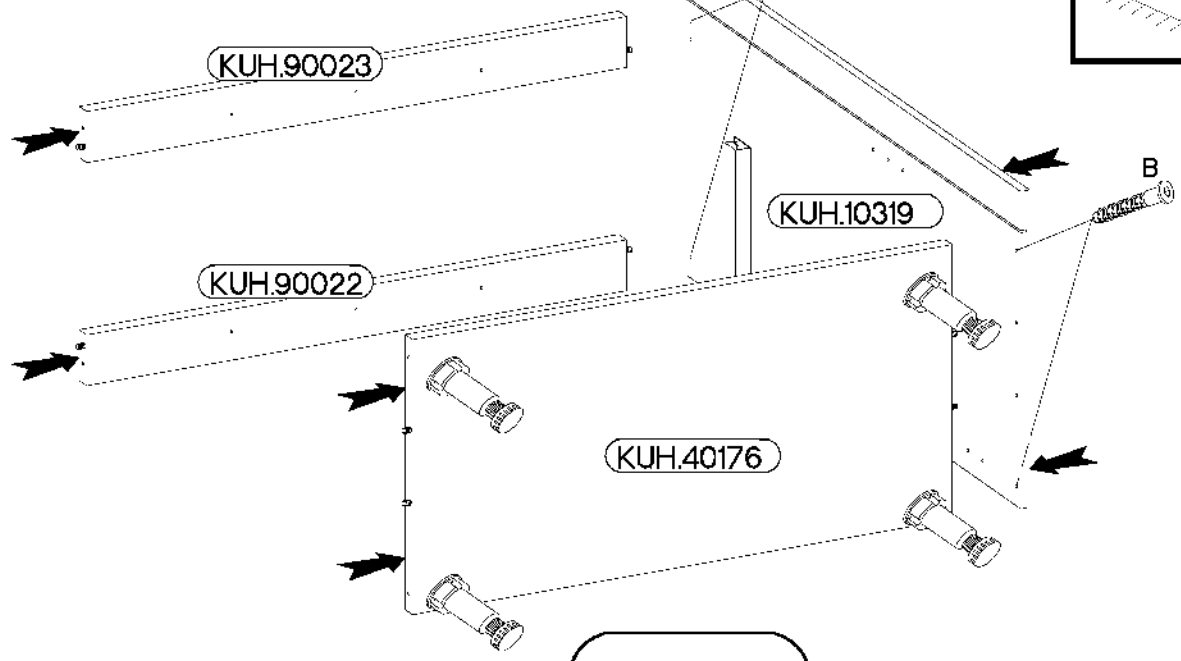
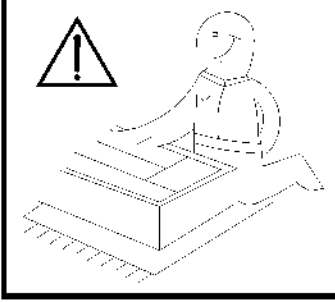
O

1



E1

4



6,4 x 50mm



B

4



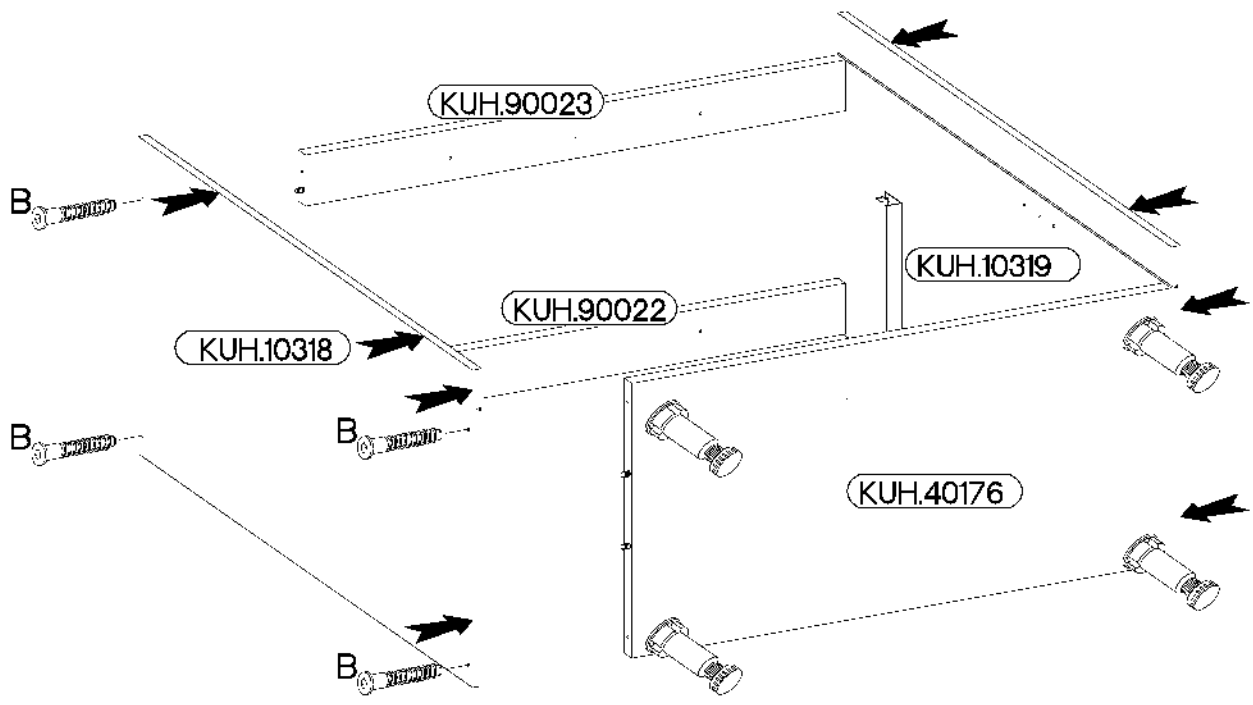
O

1



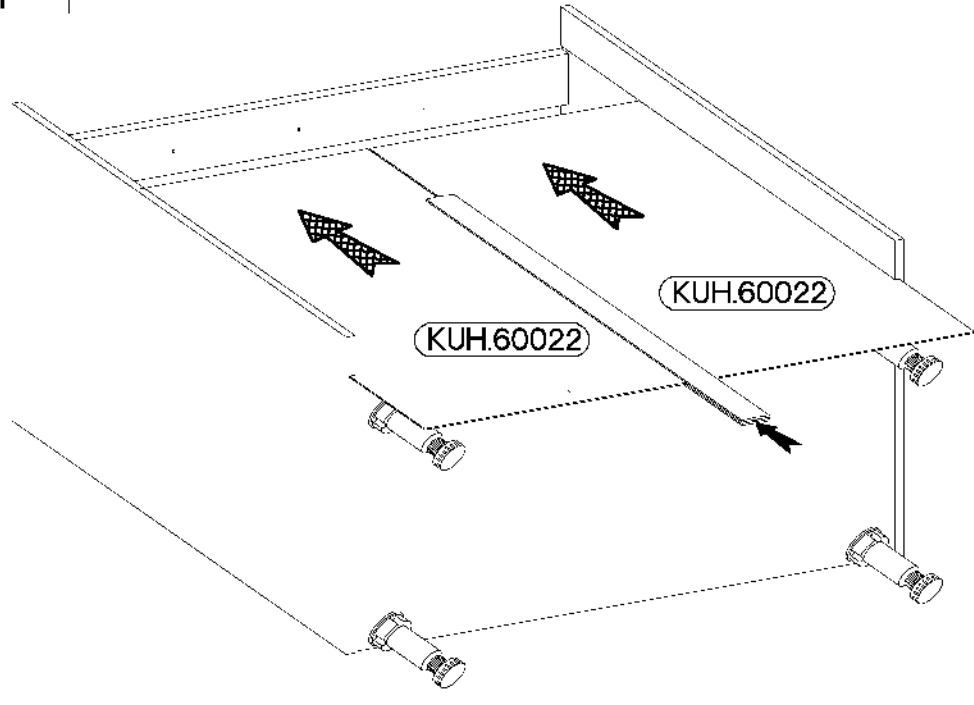
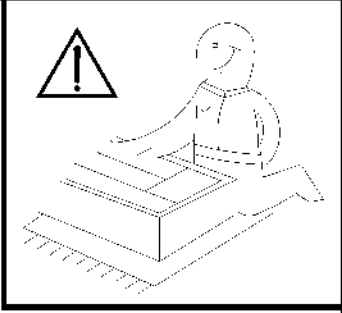
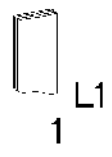
E1

4



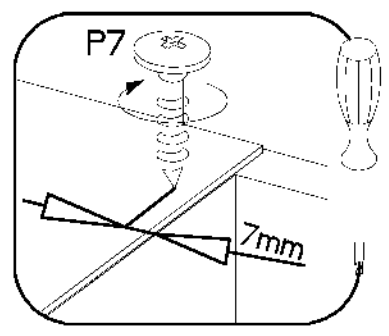
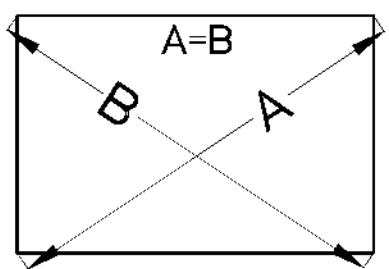
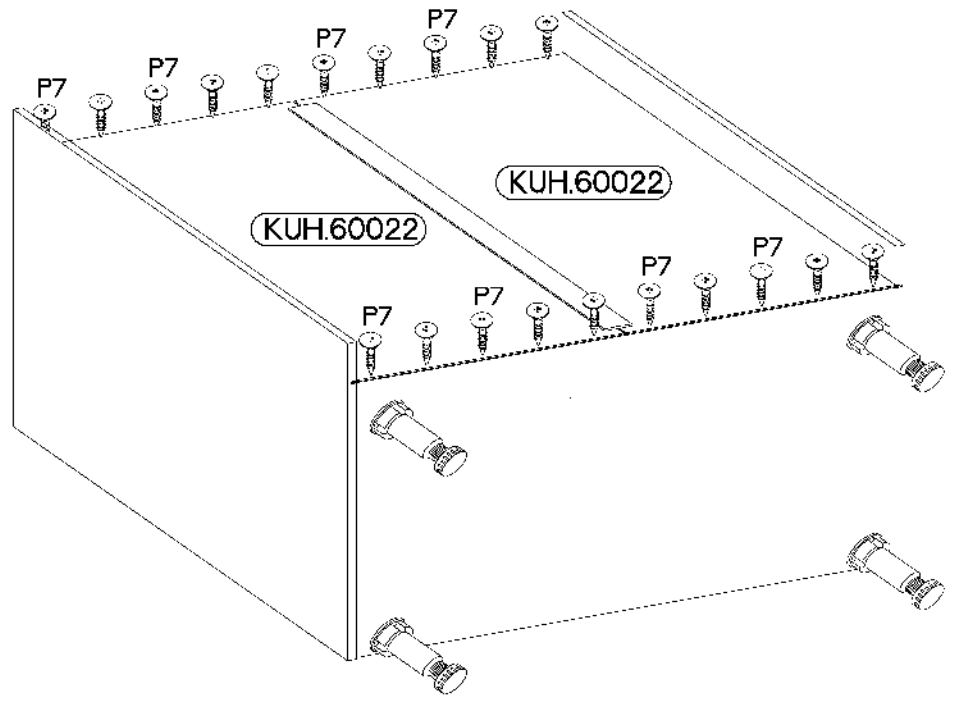
10

L=680mm

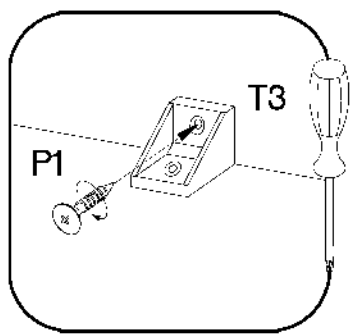
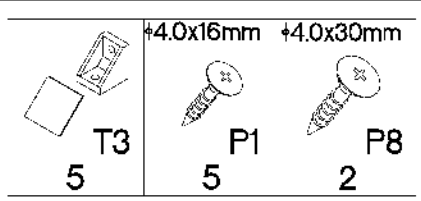


11

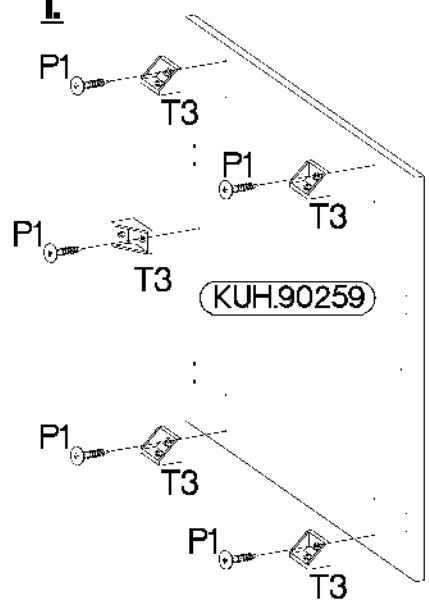
3.0x20mm



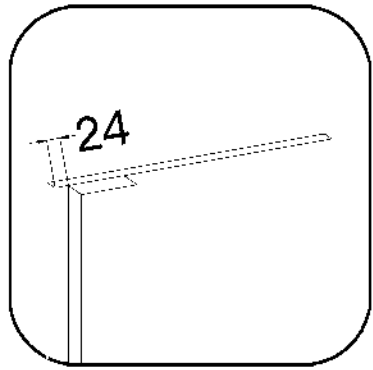
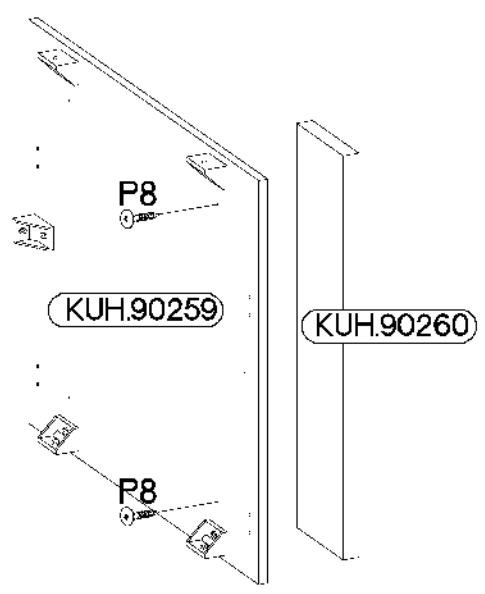
2



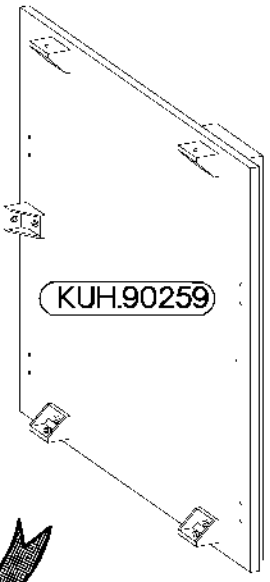
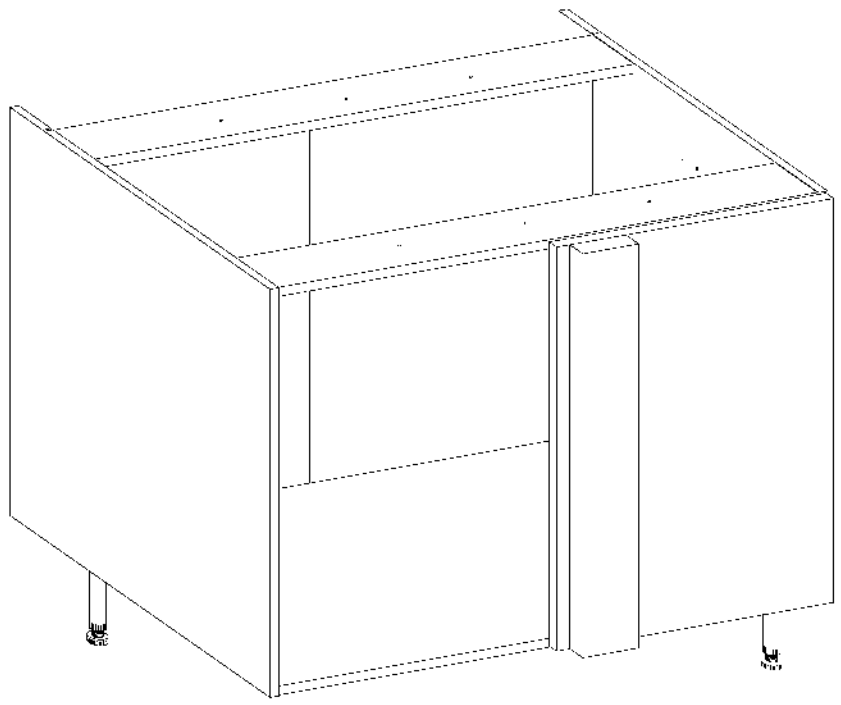
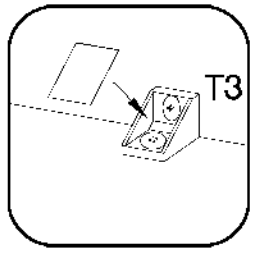
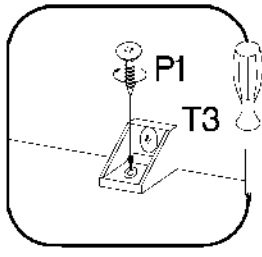
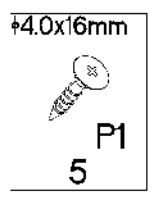
1



2



3



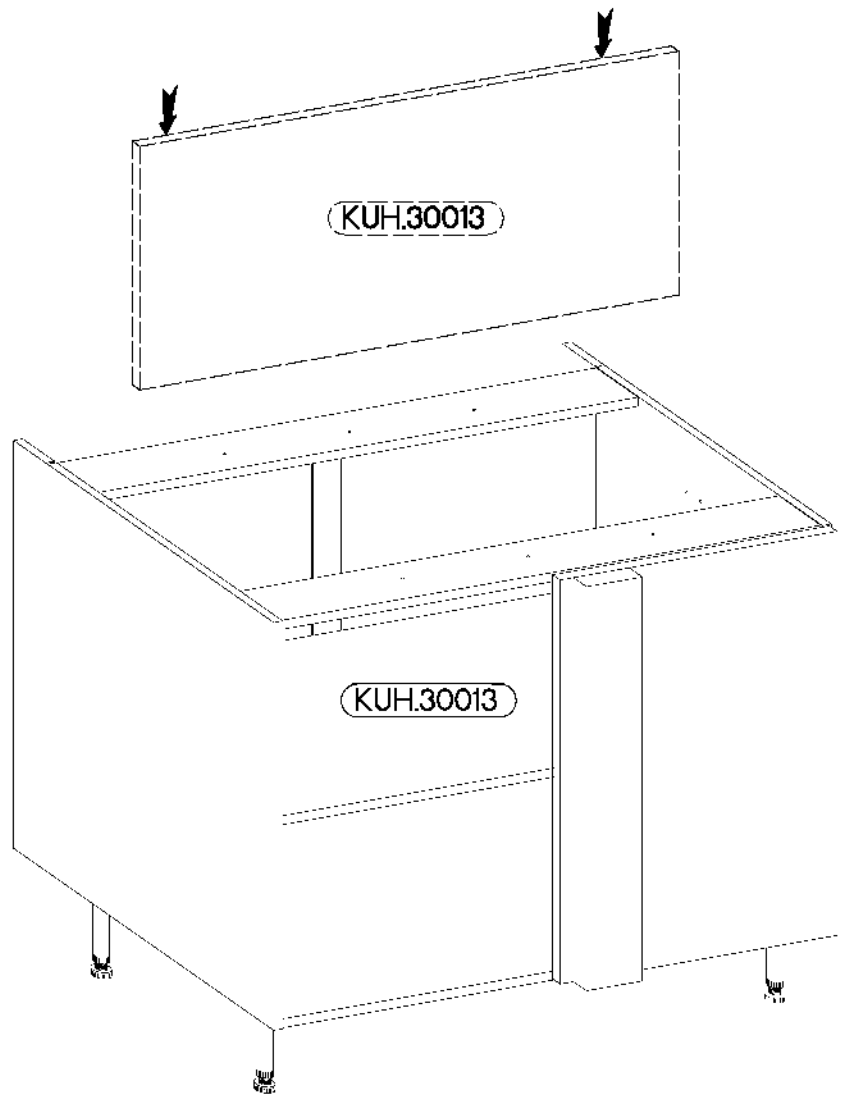
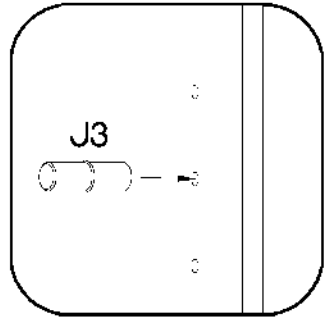
14

±5/16mm



J3

4



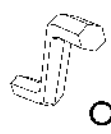
15

6,4 x 50mm



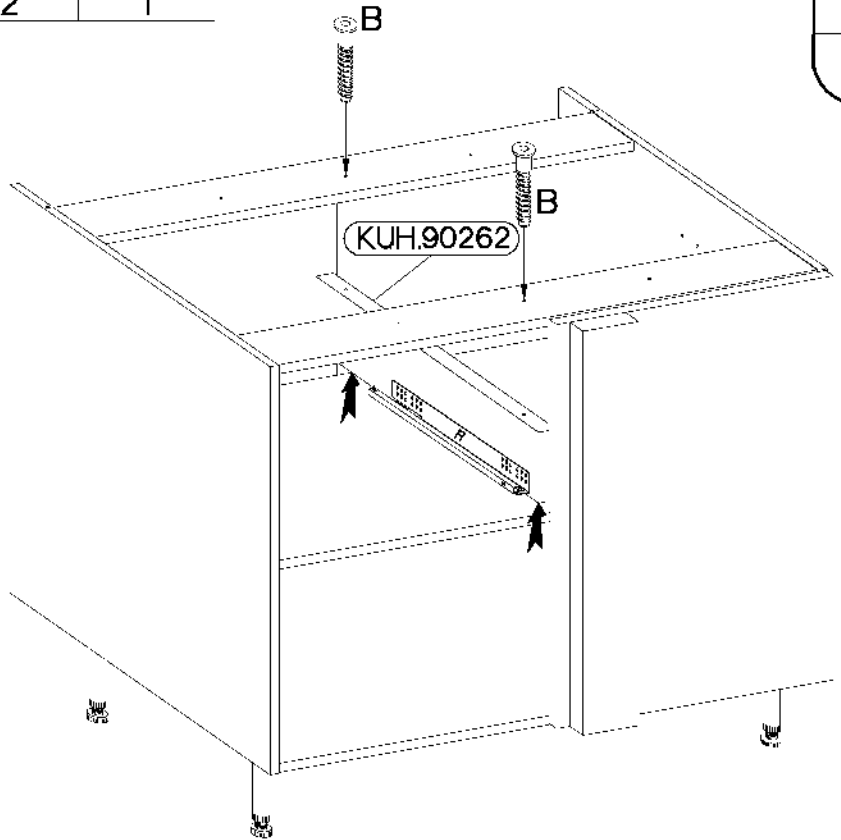
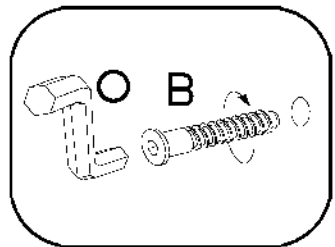
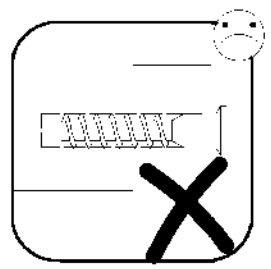
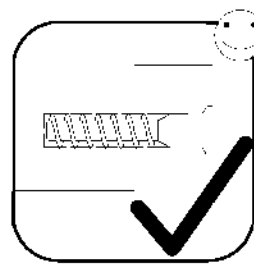
B

2



O

1



±4.0x35mm

±3.5x13mm



R3

4



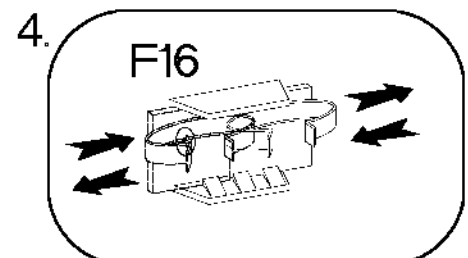
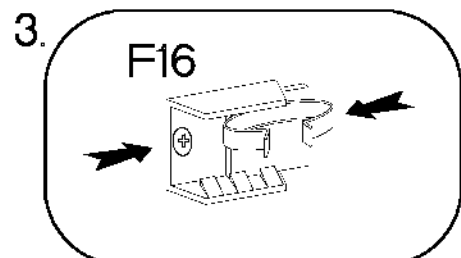
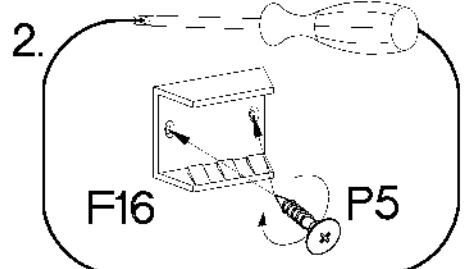
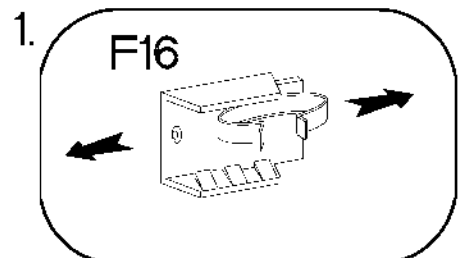
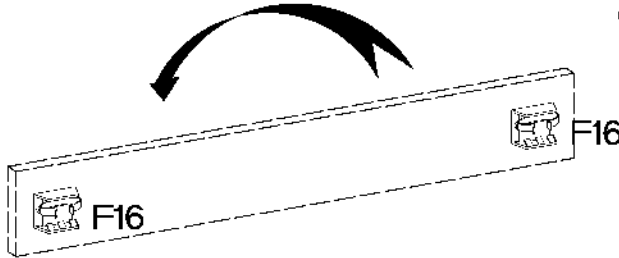
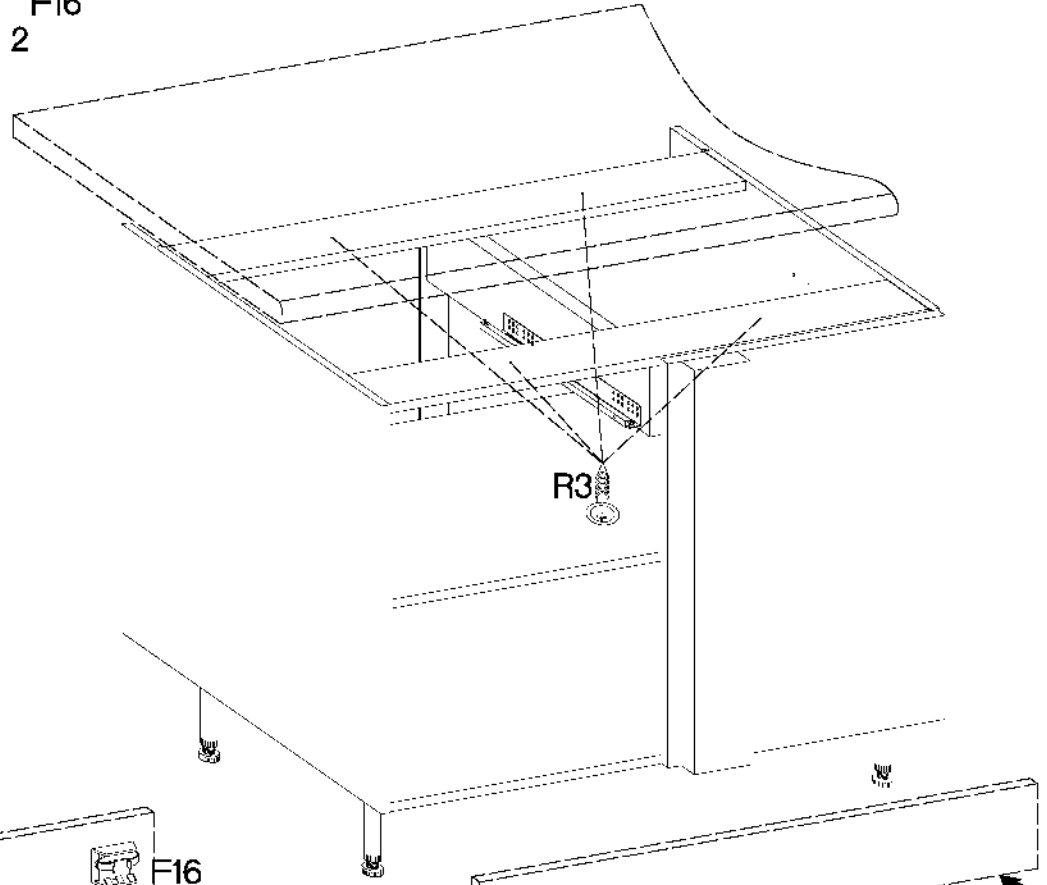
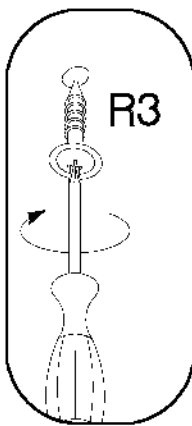
P5

4



F16

2



±35/90°

±3.5x13mm



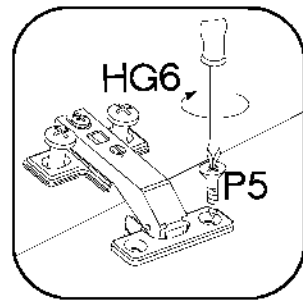
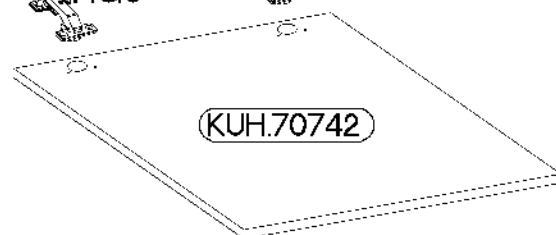
HG6

2





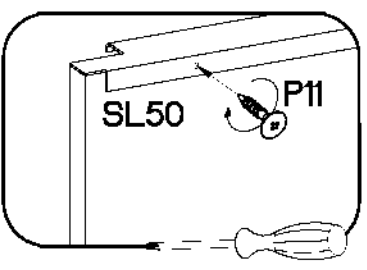
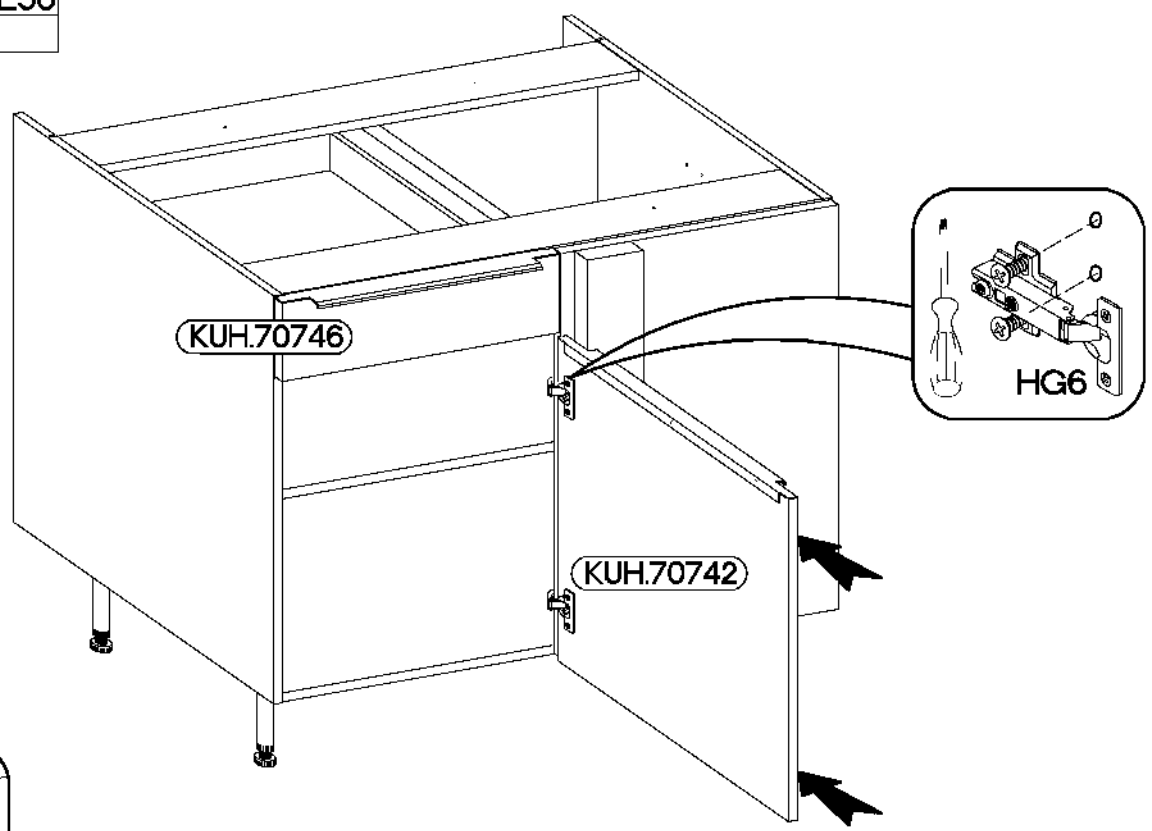
P5

4

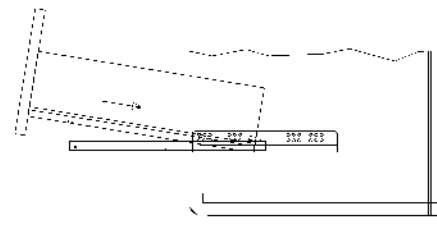


(KUH.70742)

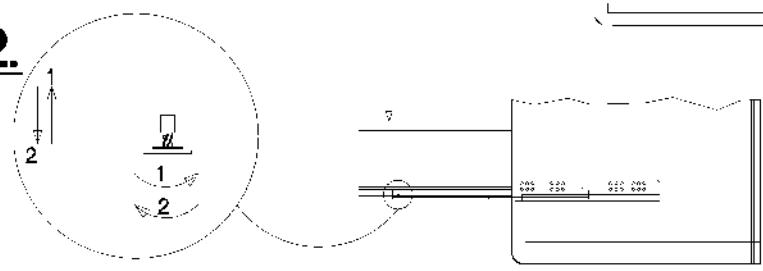
3.0x16mm	L=495mm
	
P11	SL50
6	2



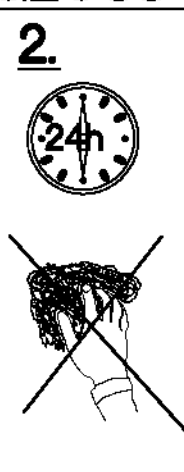
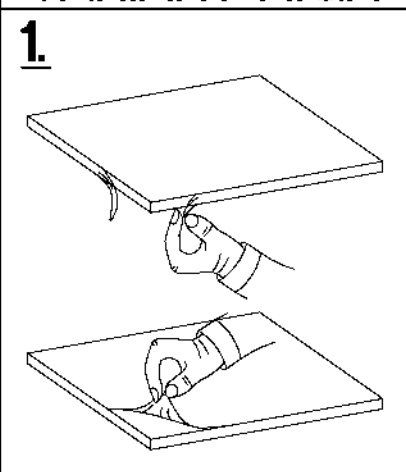
1.



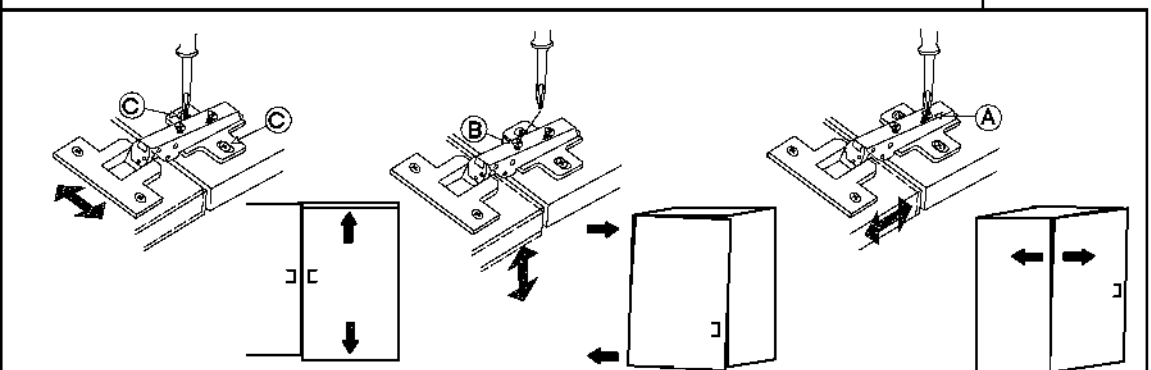
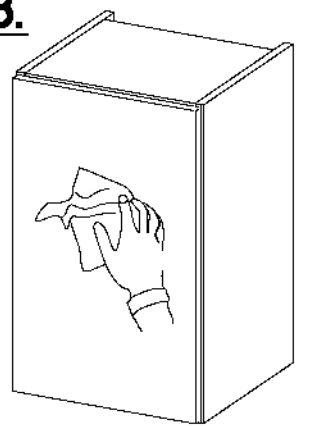
2.



VARIANT HIGH GLOSS

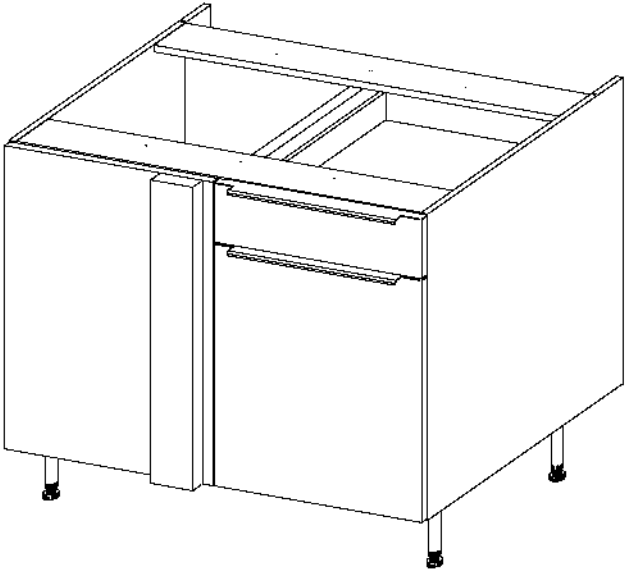
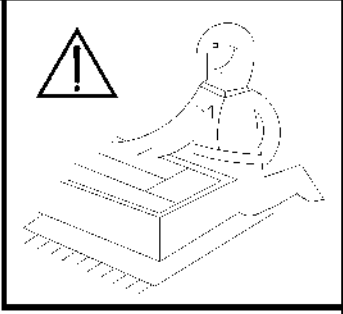


3.

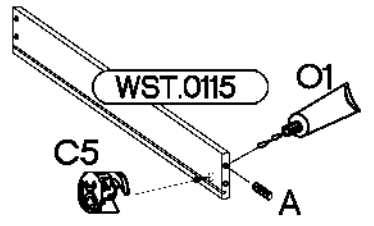
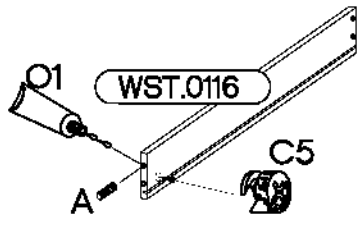
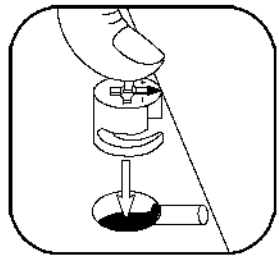
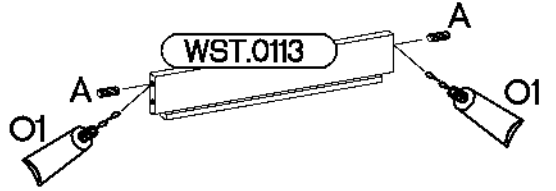


VARIANT R

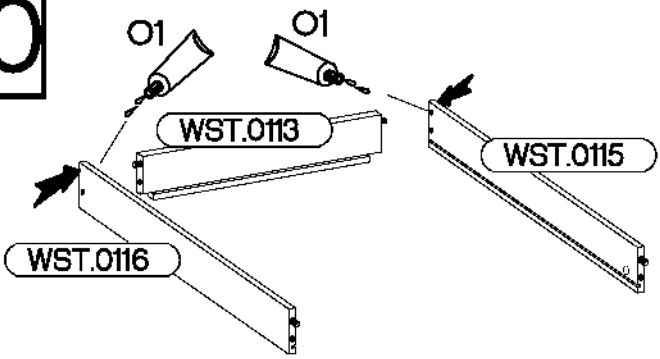
19



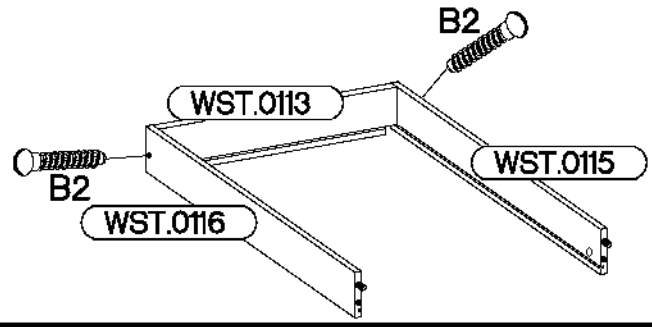
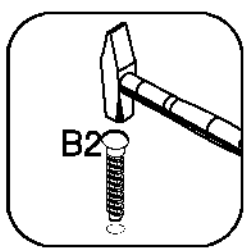
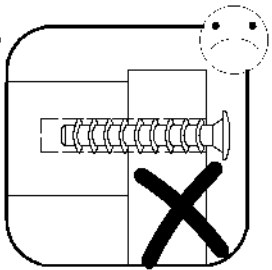
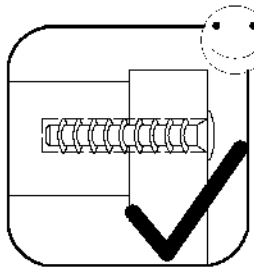
†12/10mm C5 2	†8x30mm A 4	 O1 1
--------------------------------	------------------------------	--------------------



20

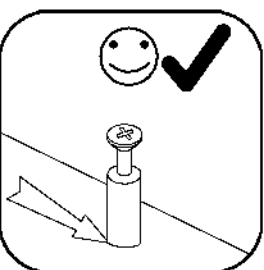
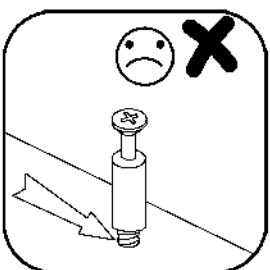
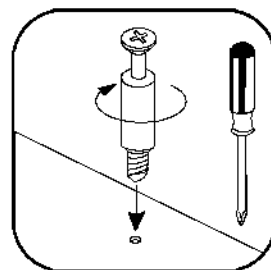
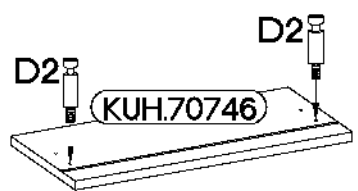


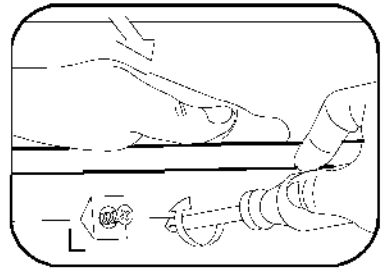
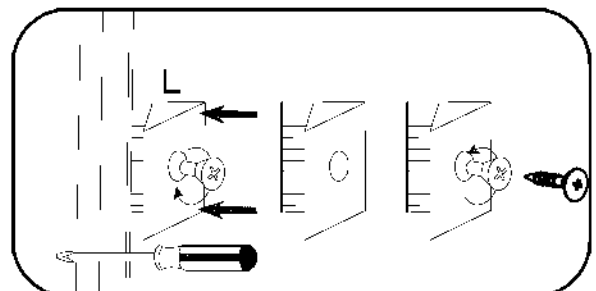
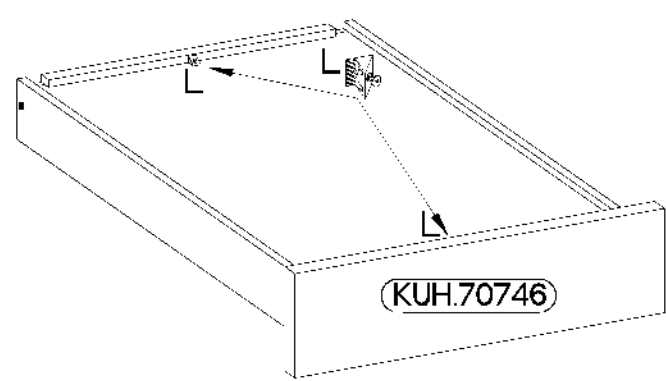
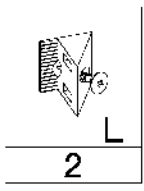
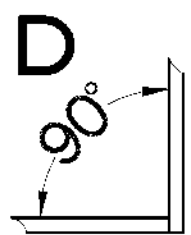
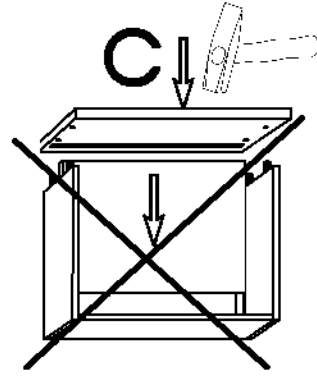
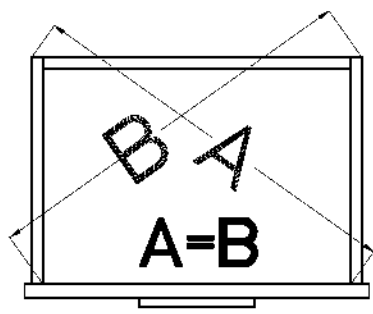
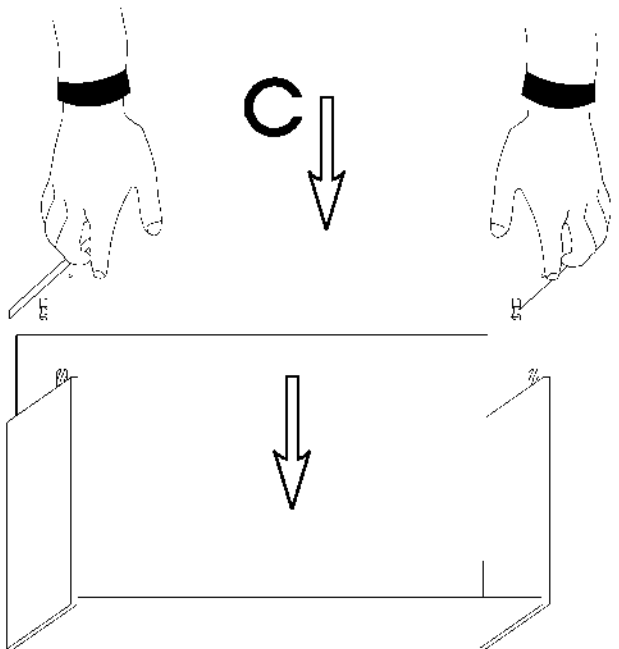
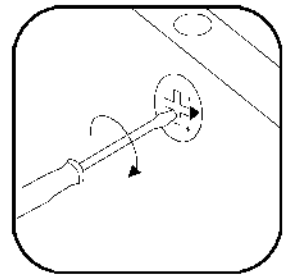
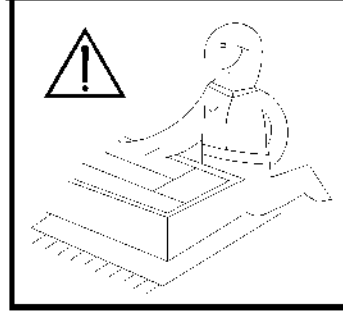
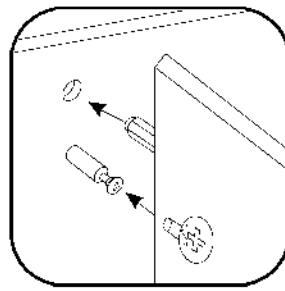
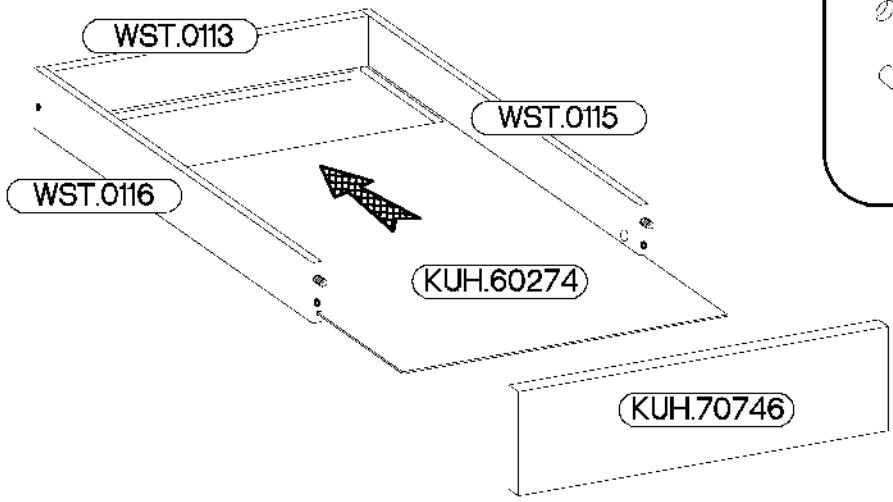
†6x42mm B2 2	 O1 1
-------------------------------	--------------------

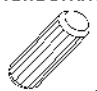



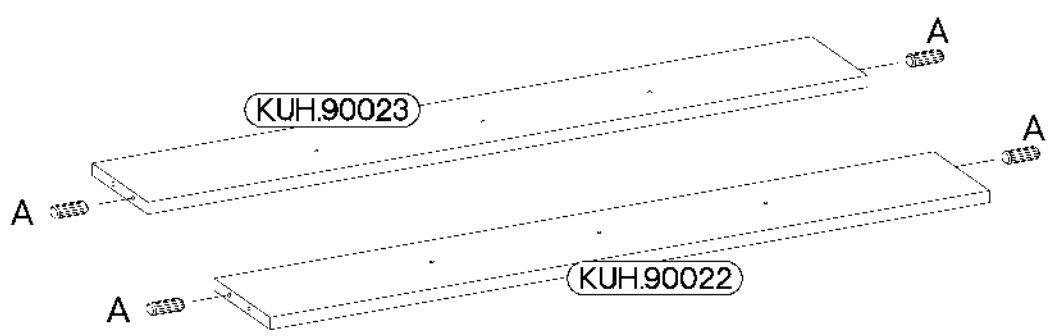
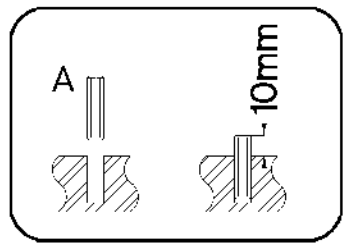
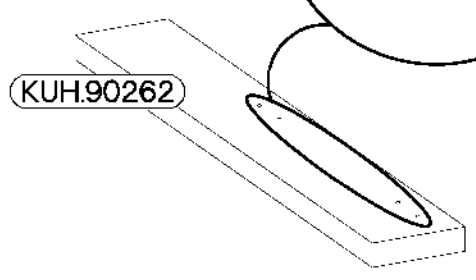
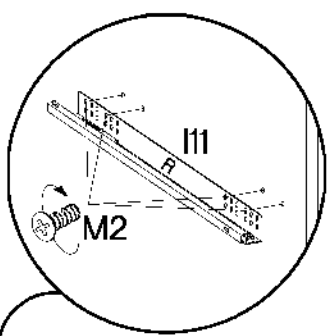
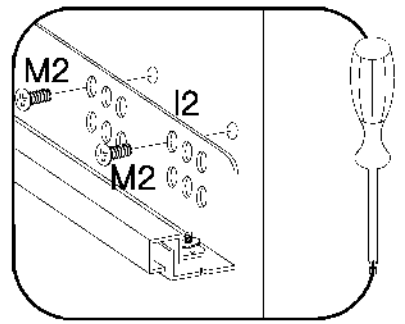
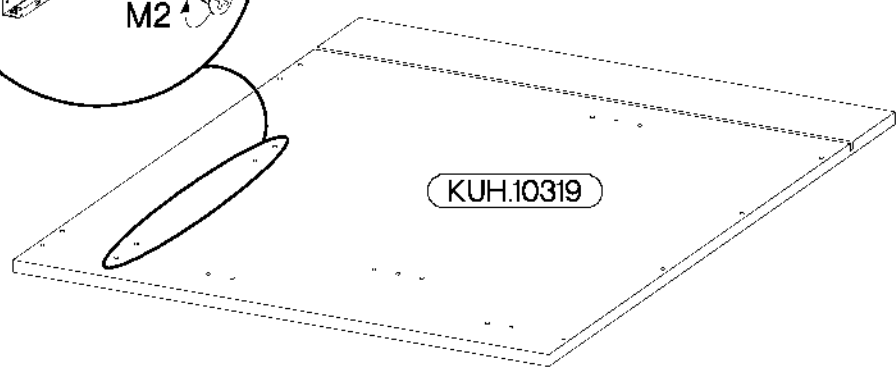
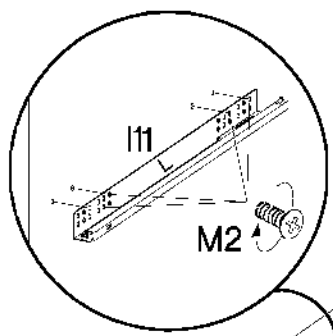
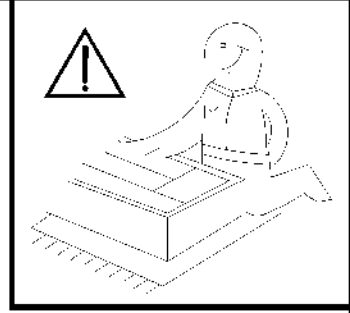
21

L=20mm D2 2





$\varnothing 8 \times 30 \text{mm}$	$\varnothing 6.3 \times 13 \text{mm}$
	
A	M2
L=450mm	
4	8



±3.5x13mm

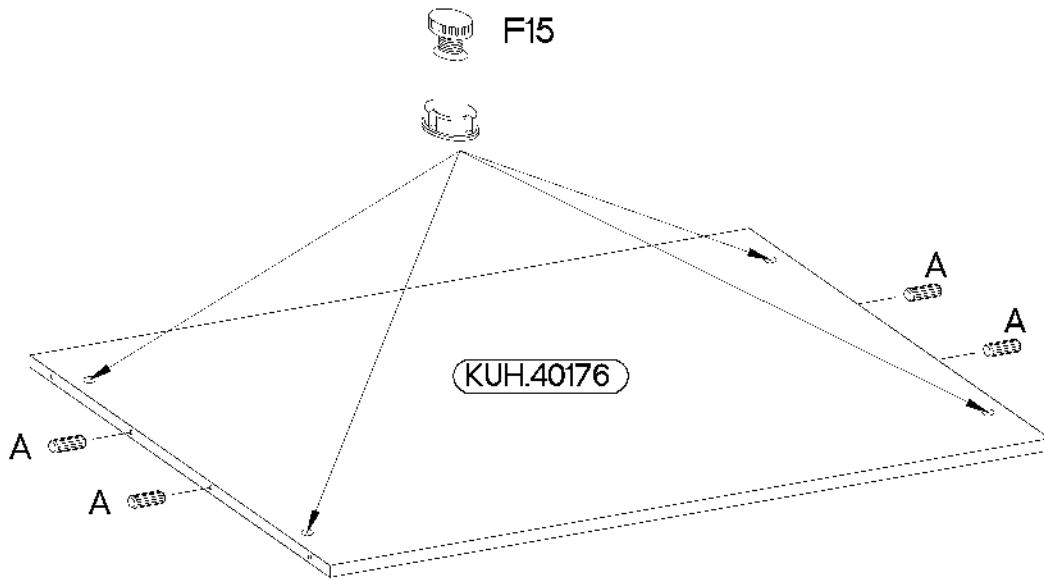
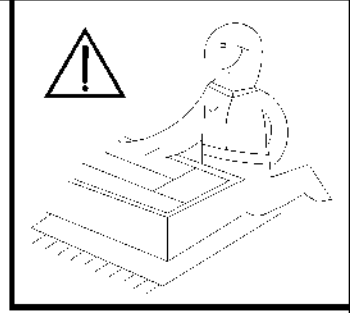


F15
4

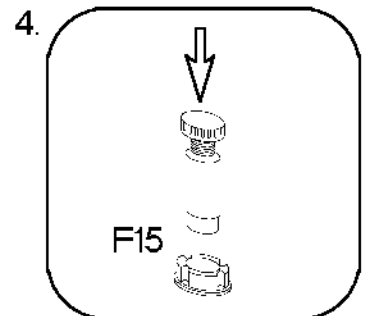
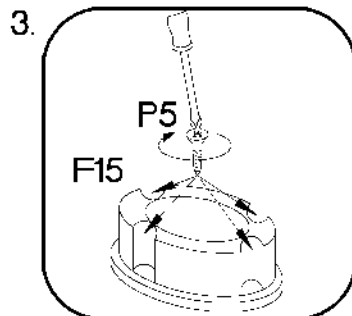
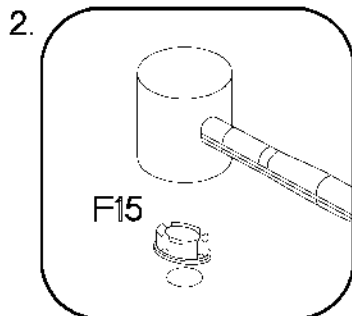
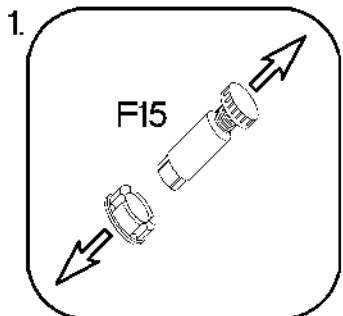
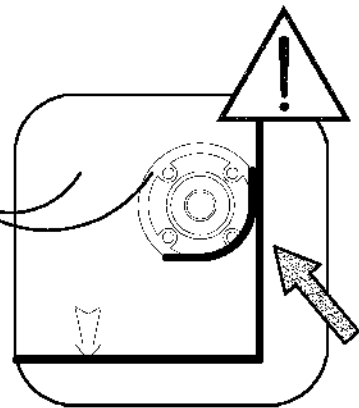
±8x30mm



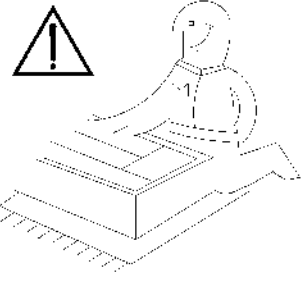
A
4


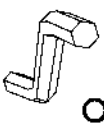



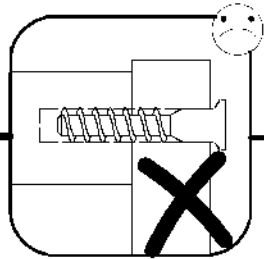
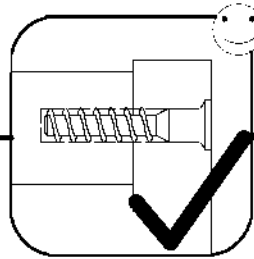
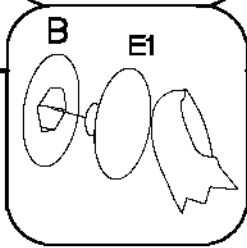
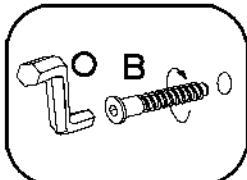
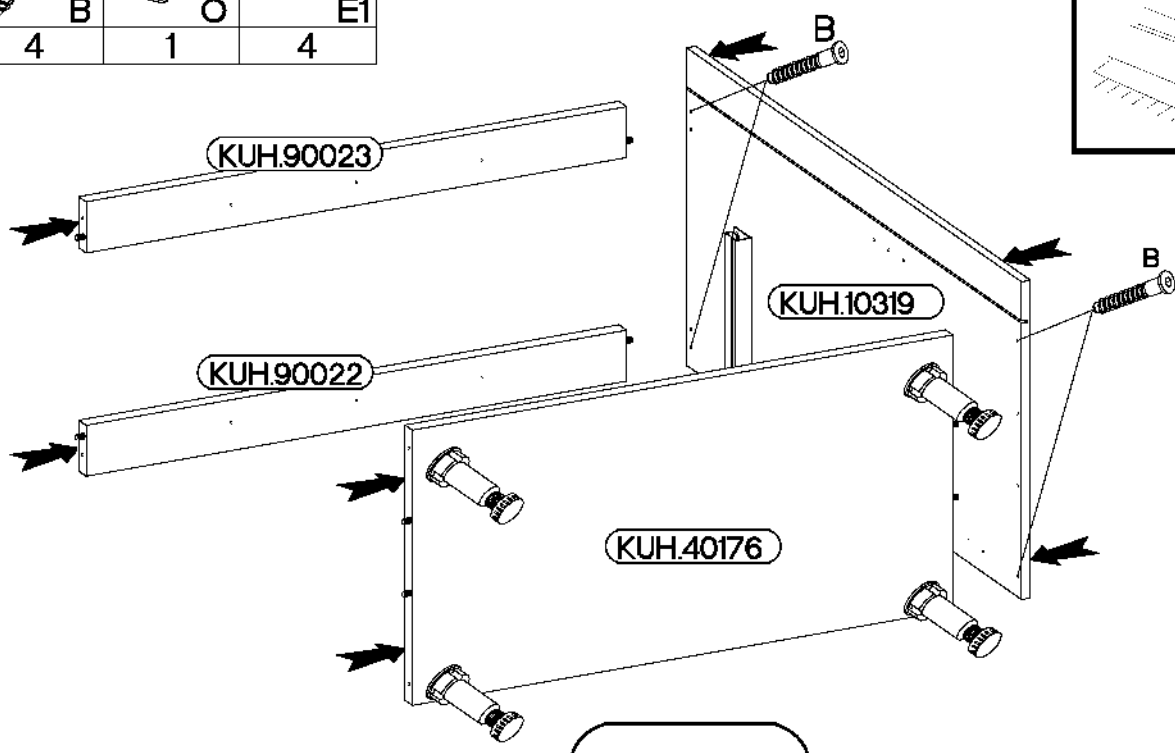
967




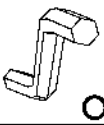

26

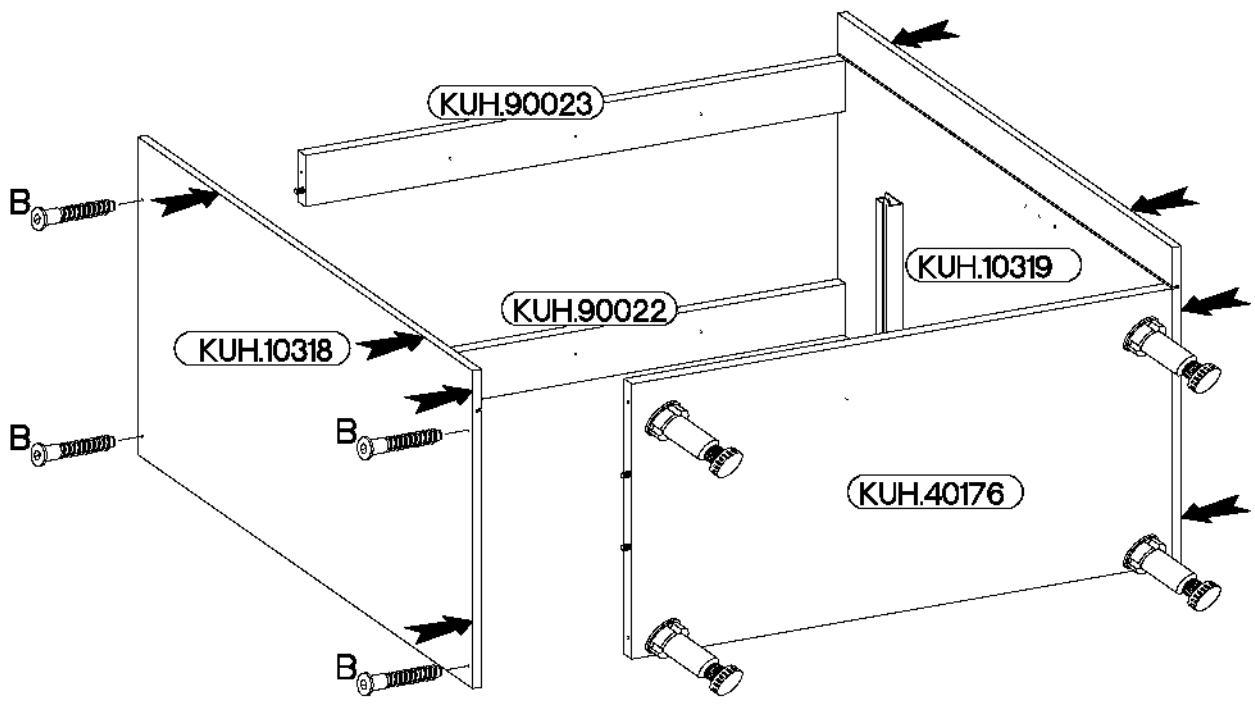


6,4 x 50mm		
		
B	O	E1
4	1	4



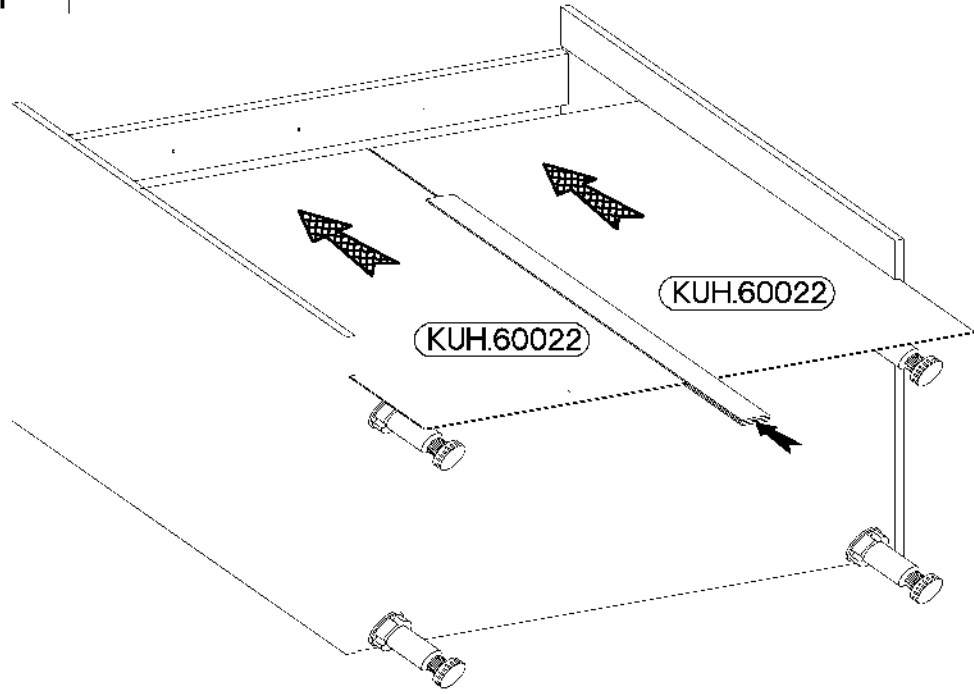
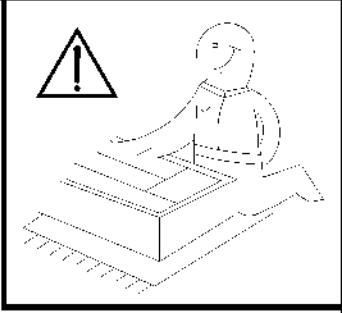
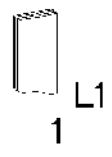
27

6,4 x 50mm		
		
B	O	E1
4	1	4



28

L=680mm



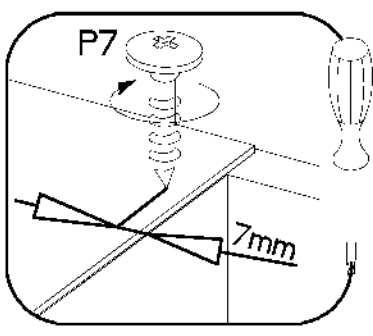
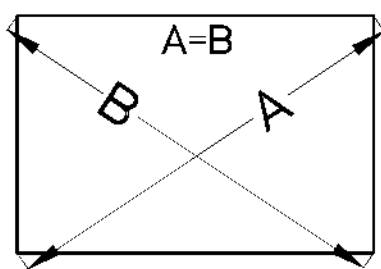
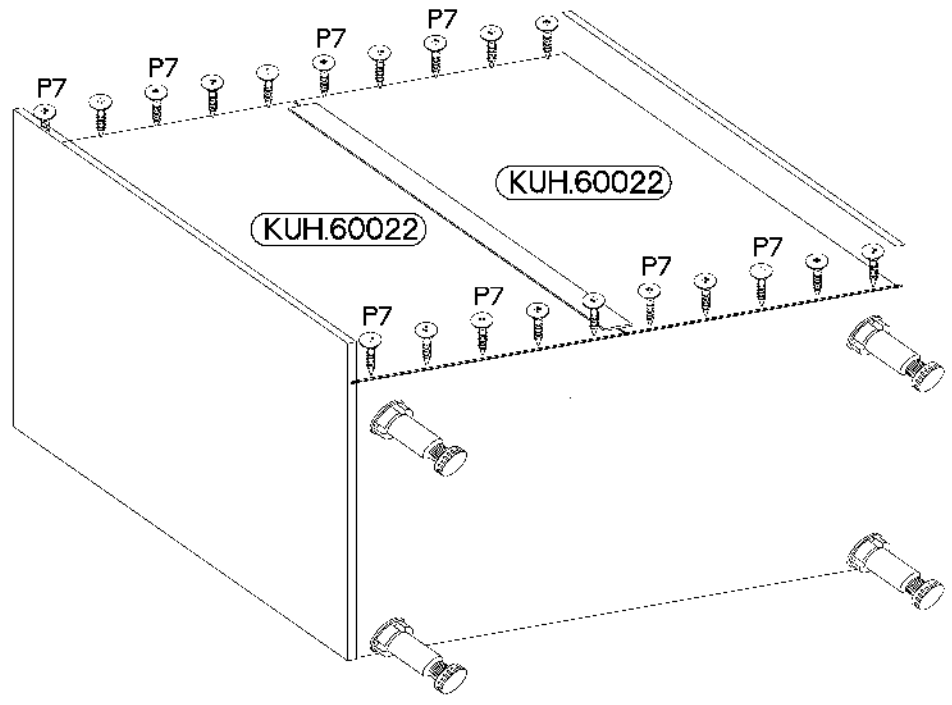
29

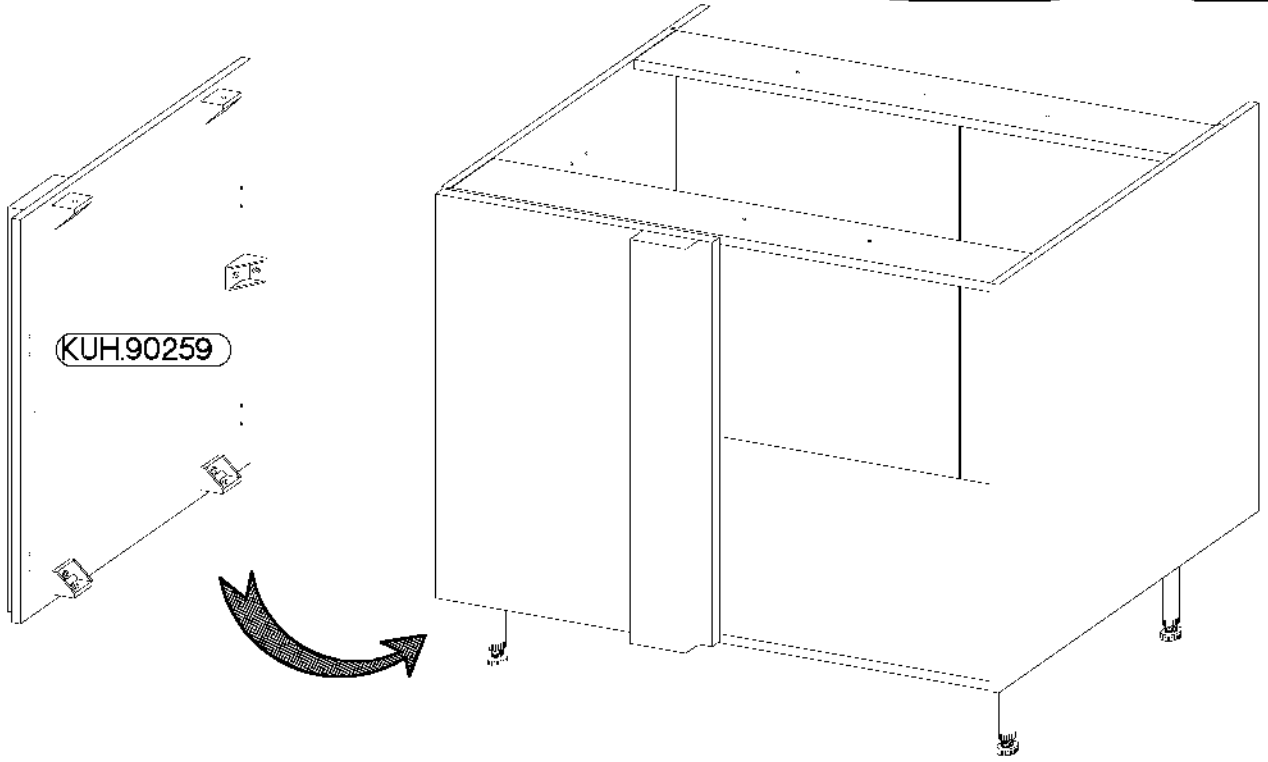
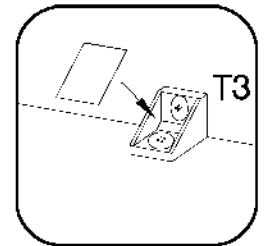
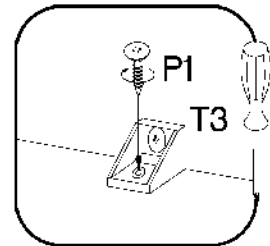
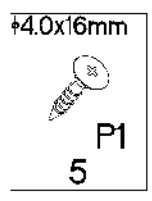
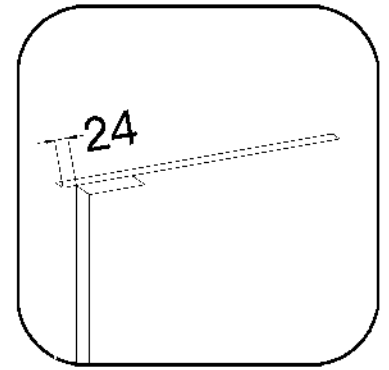
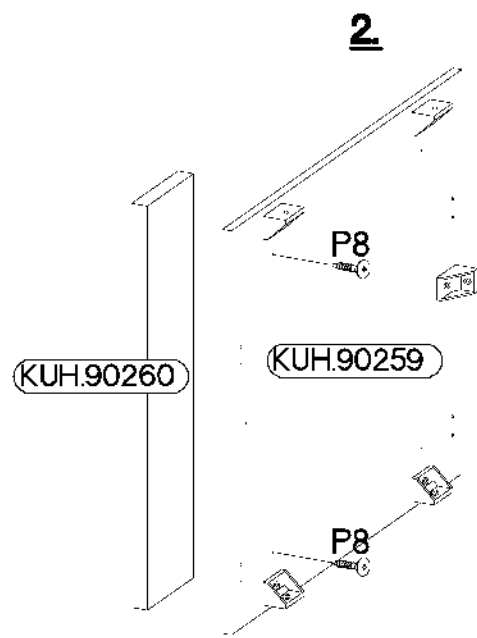
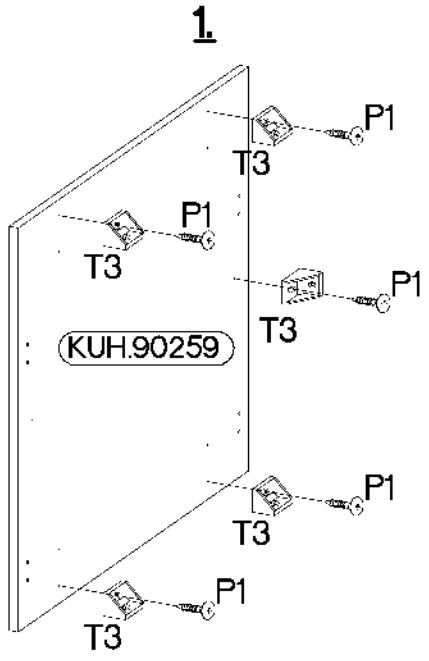
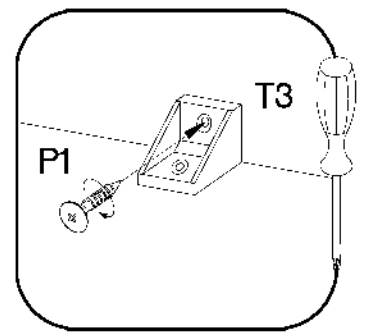
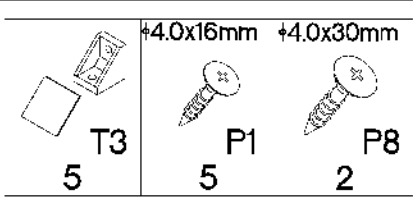
3.0x20mm



P7

15-20





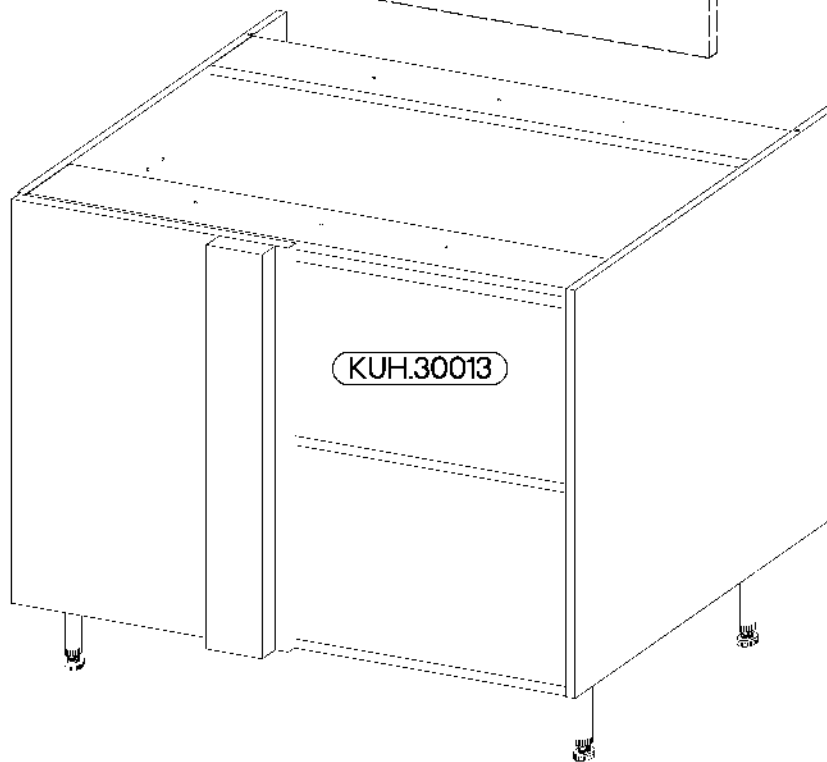
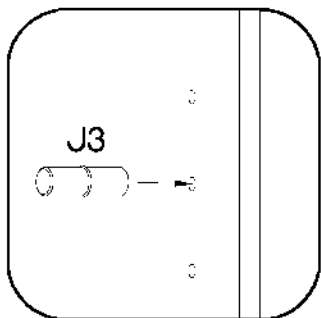
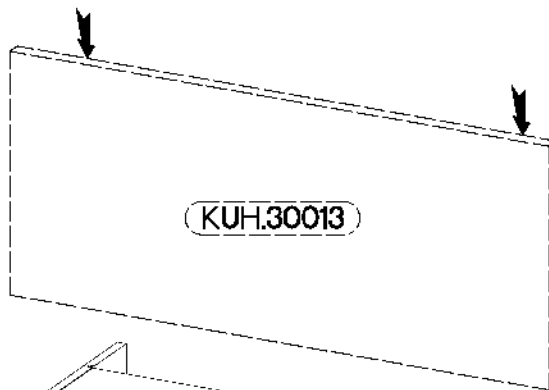
32

±5/16mm



J3

4



33

6,4 x 50mm



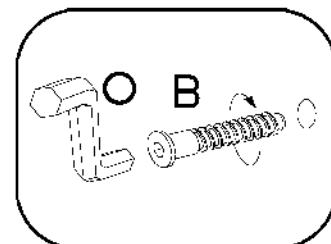
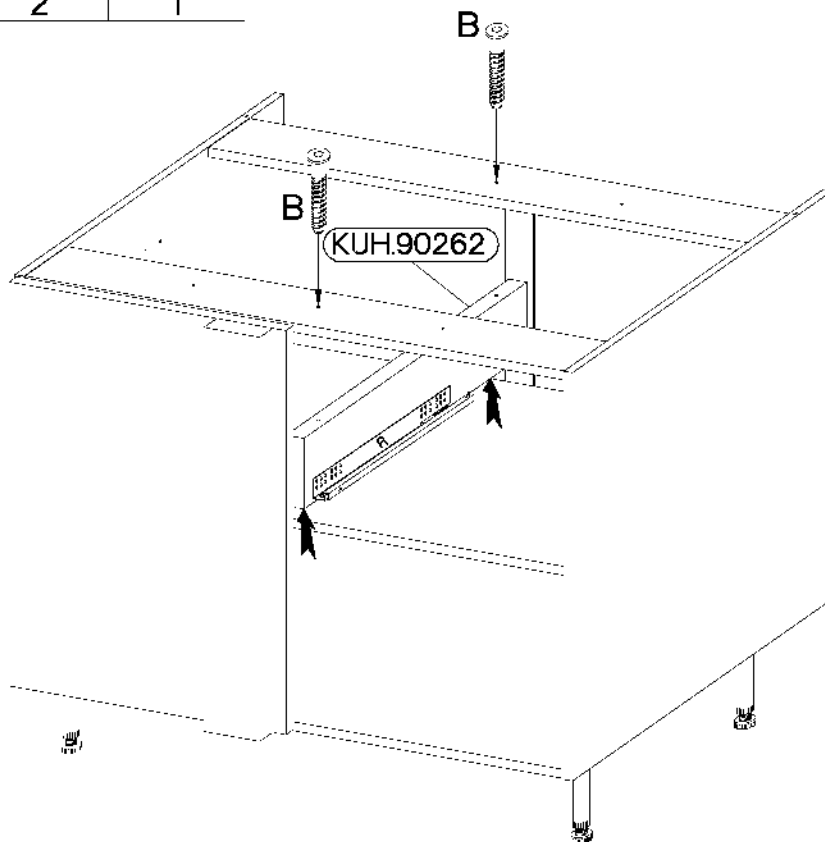
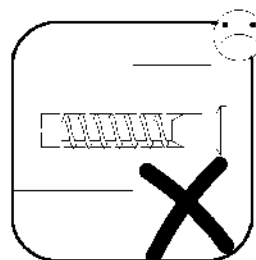
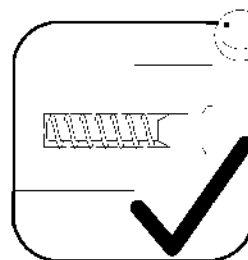
2

B



1

O



34

4.0x35mm

3.5x13mm



R3

4



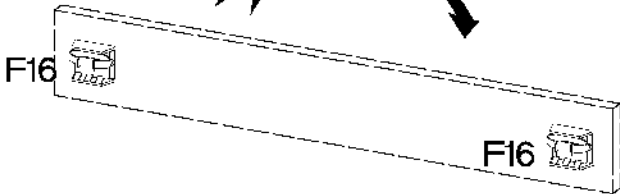
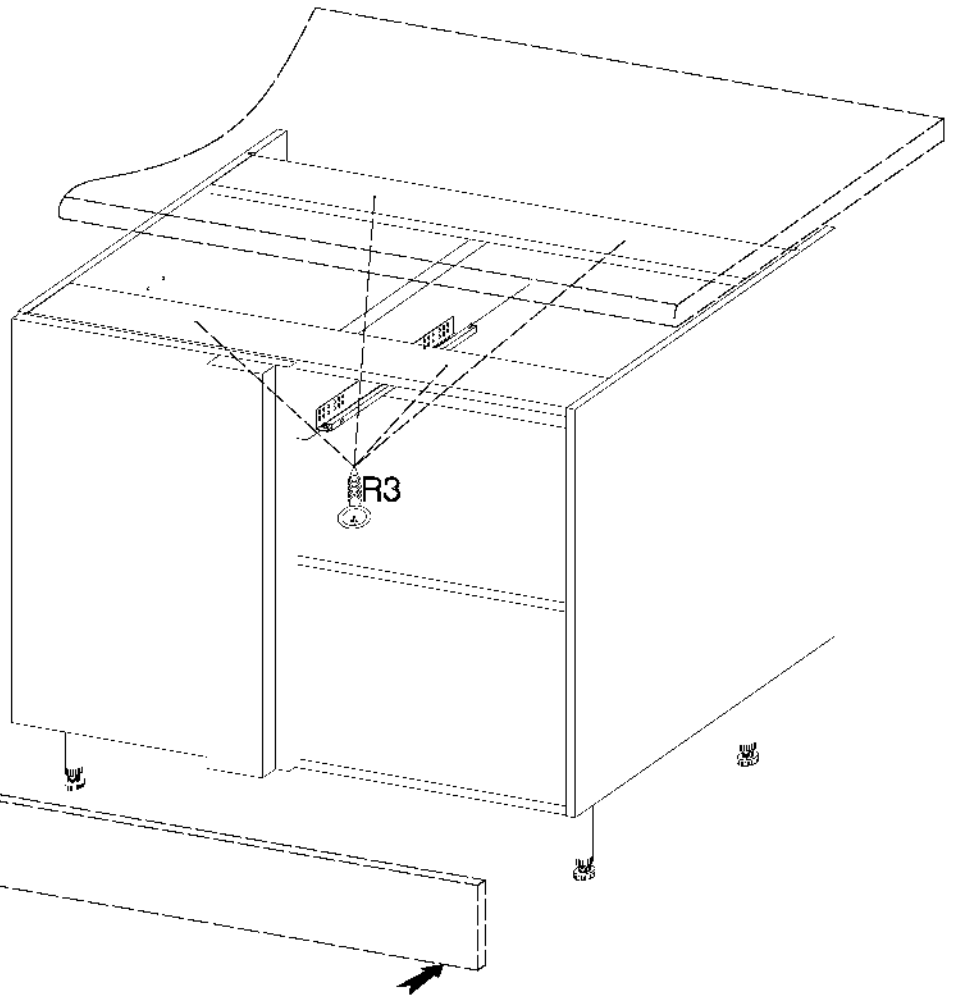
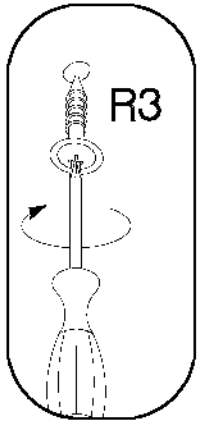
P5

4

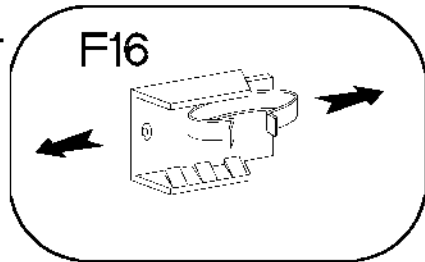


F16

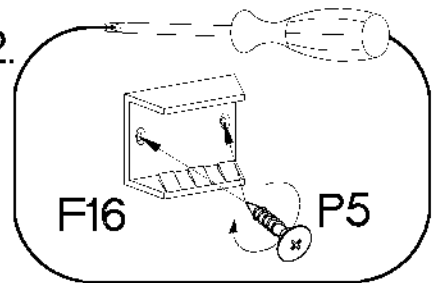
2



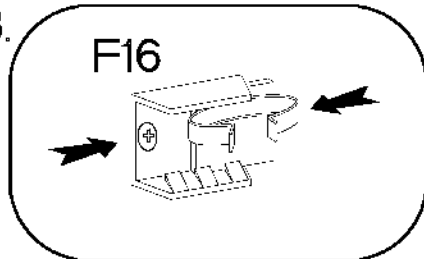
1.



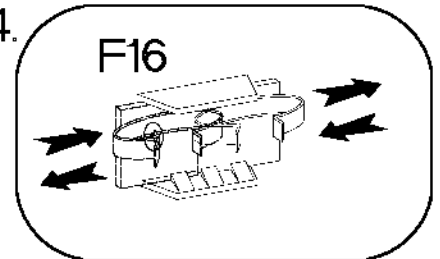
2.



3.



4.



35

35/90°

3.5x13mm



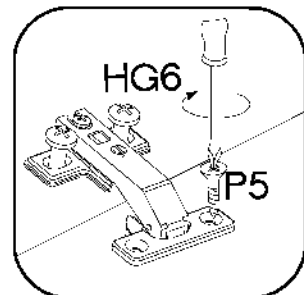
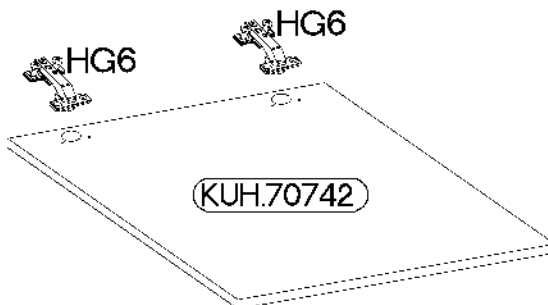
HG6



2

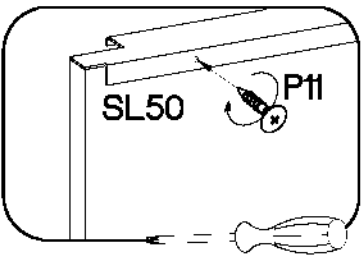
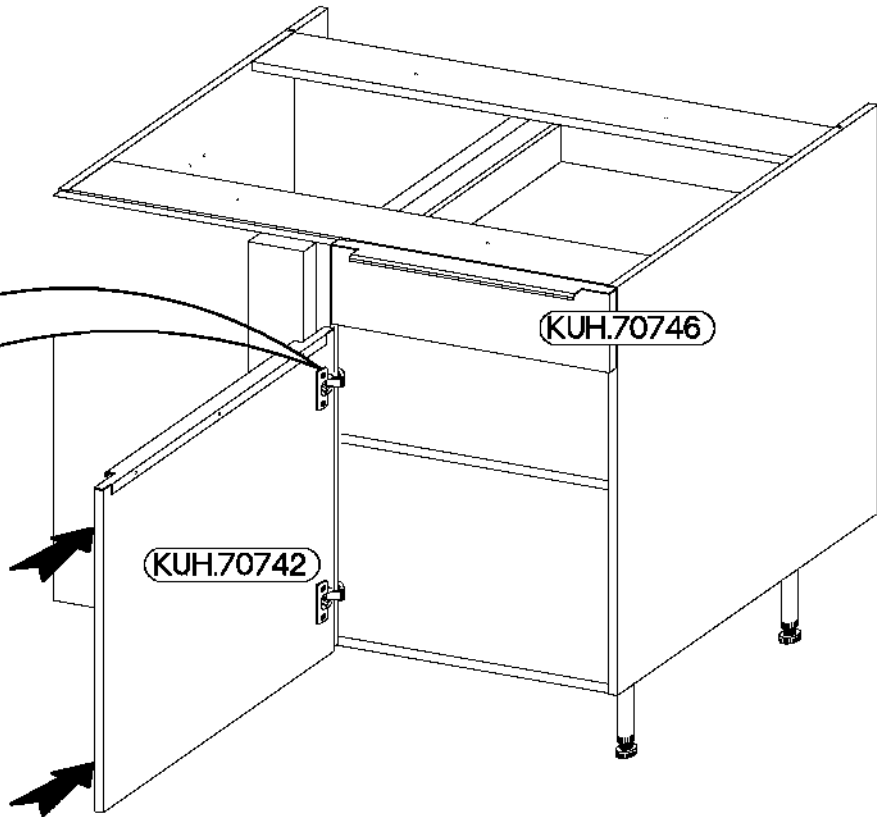
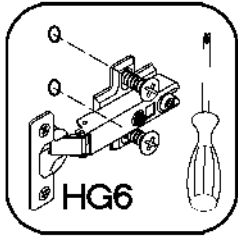


P5

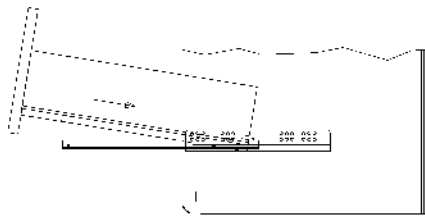
4



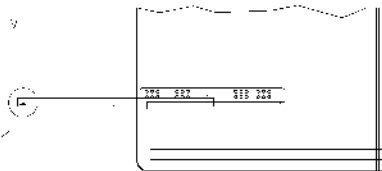
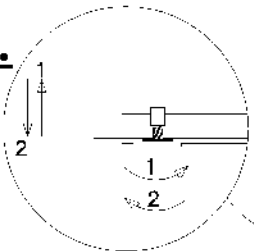
 P11 6	 SL50 2
--	---



1.

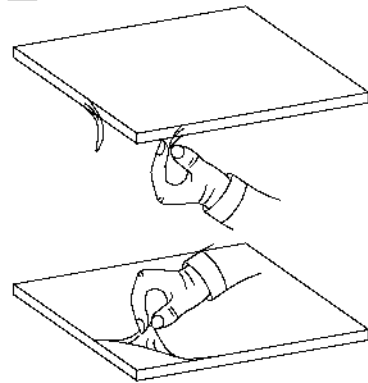


2.



VARIANT HIGH GLOSS

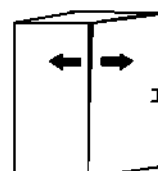
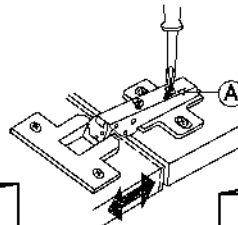
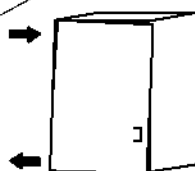
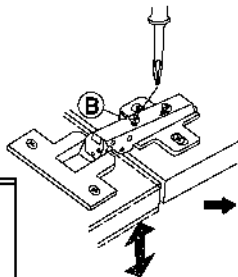
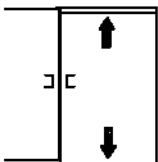
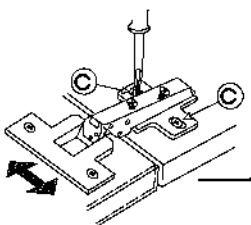
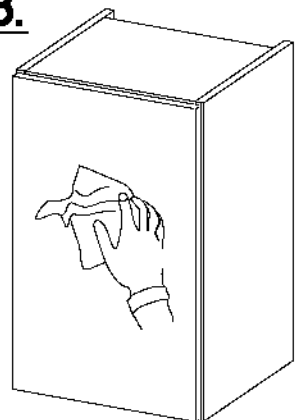
1.

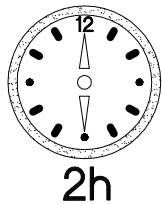
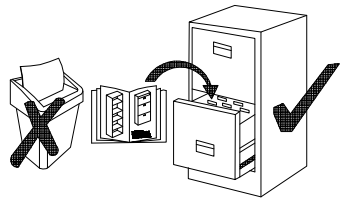
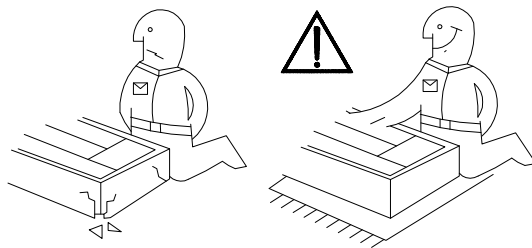
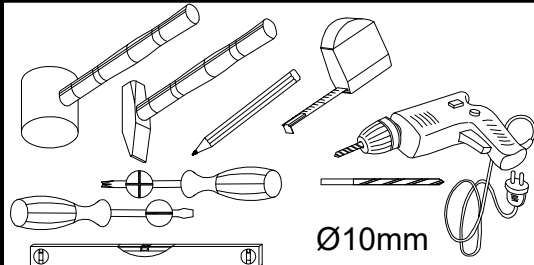
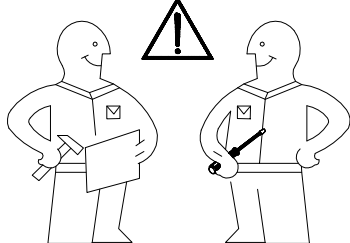


2.



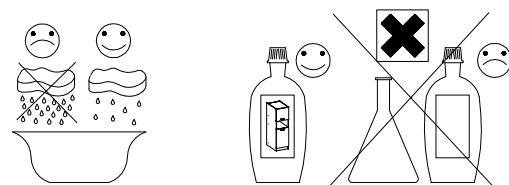
3.



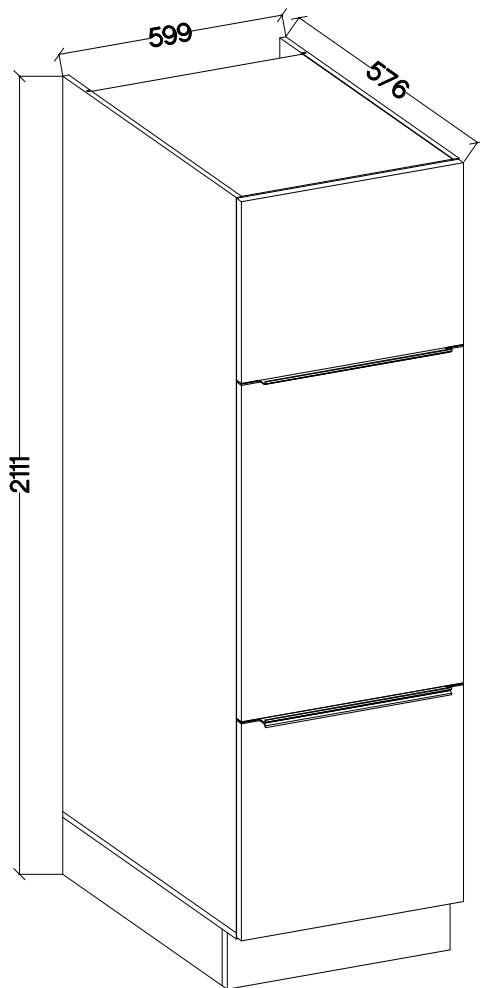


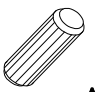
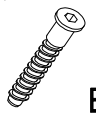

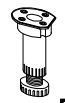

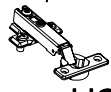
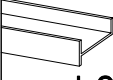
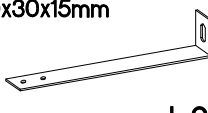





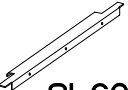
SAFADO / MARLEEN

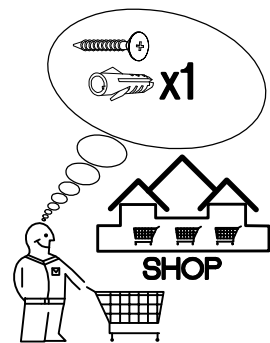
73-155-...
73-15E-...
73-15F-...



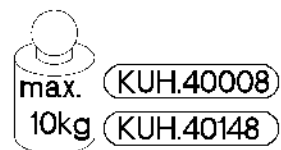
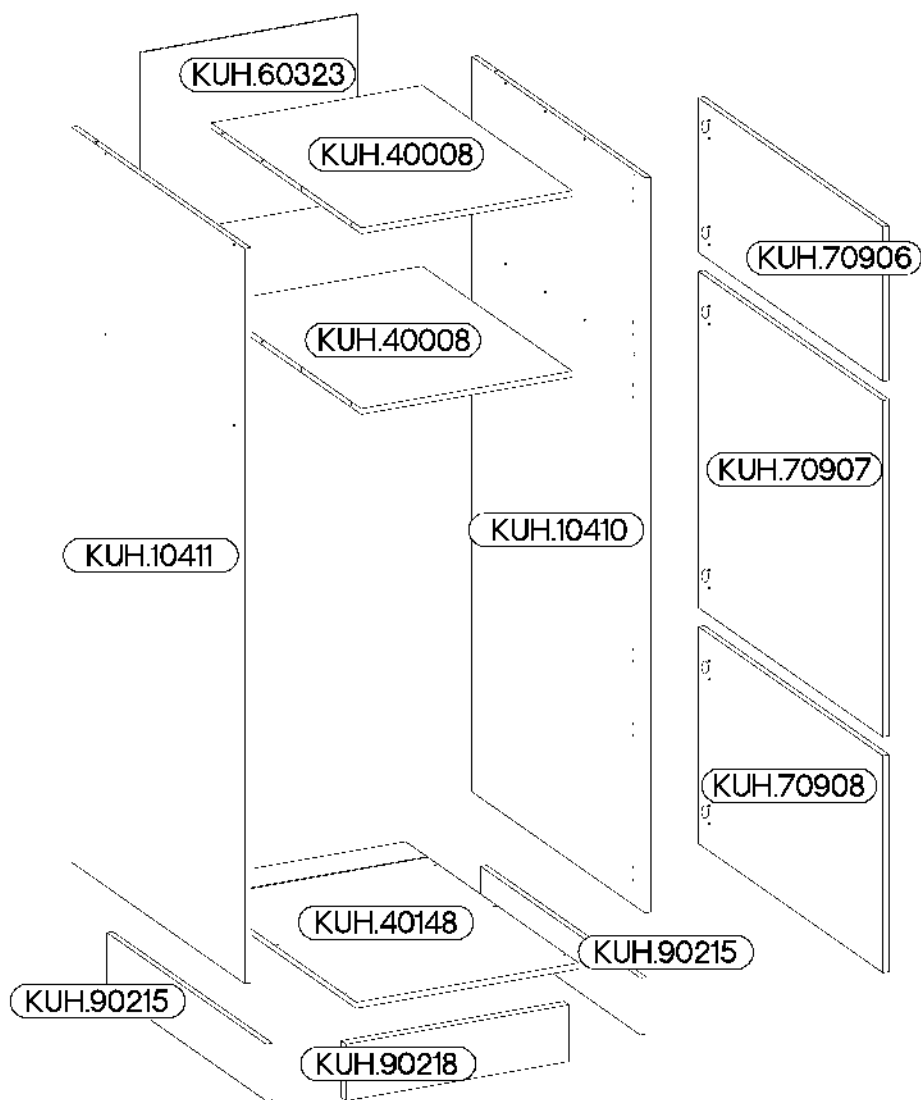
respekta®





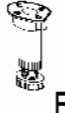
 A 8	 B 14	 E1 8	 F15 4	 F16 6	 HG 6	 L35 1	
 L25 1		 O 1	 P5 42	 P7 8-10	 P11 12	 R 4	 SL60 3

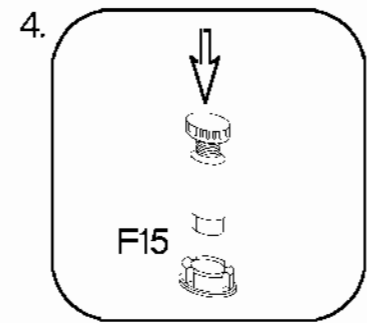
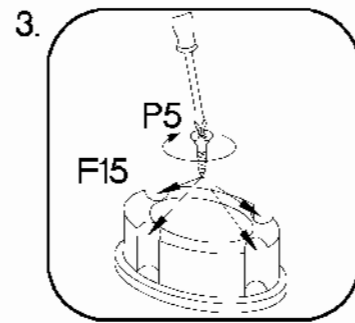
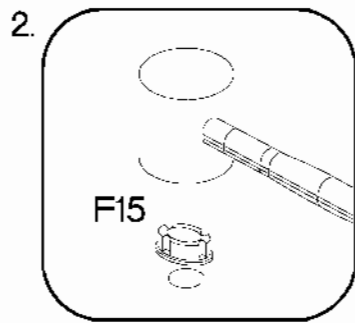
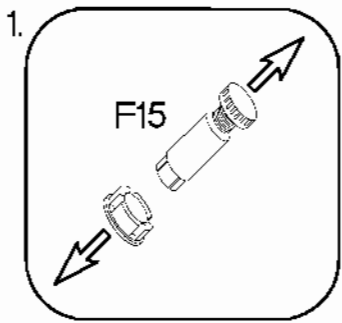
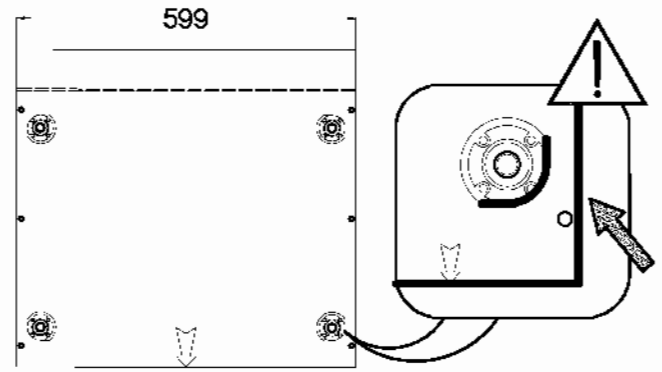
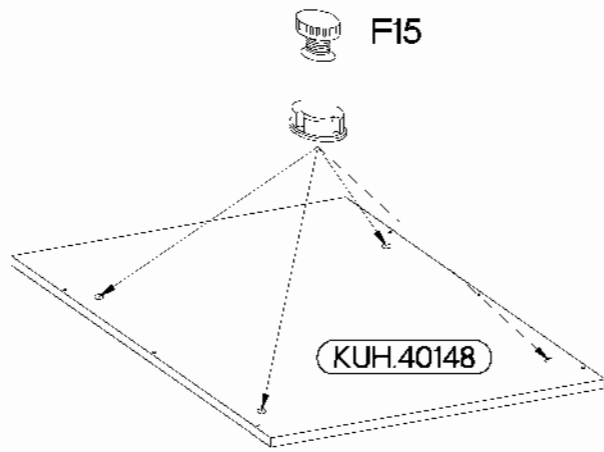
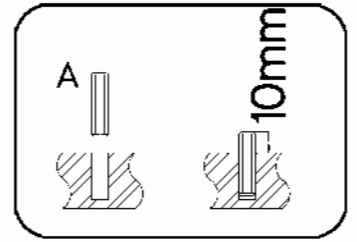
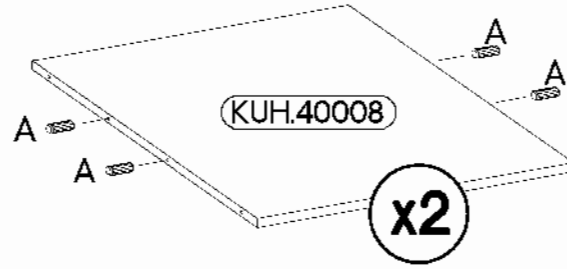
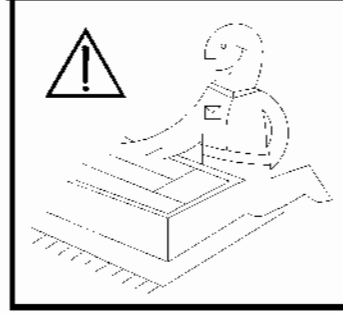


ISM-KUH-01594



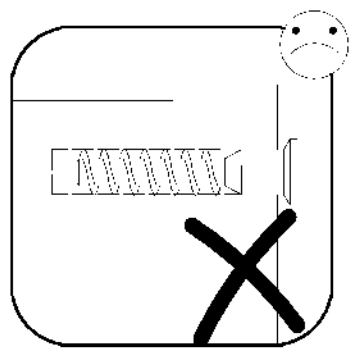
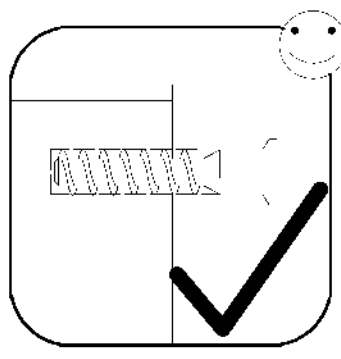
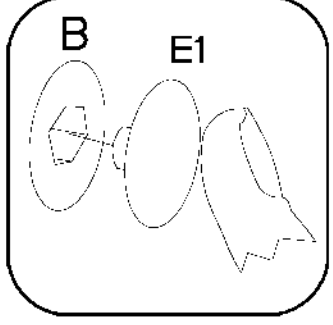
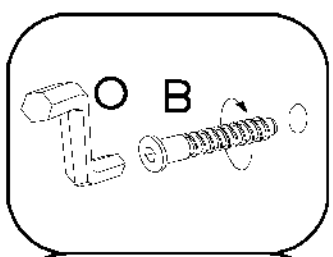
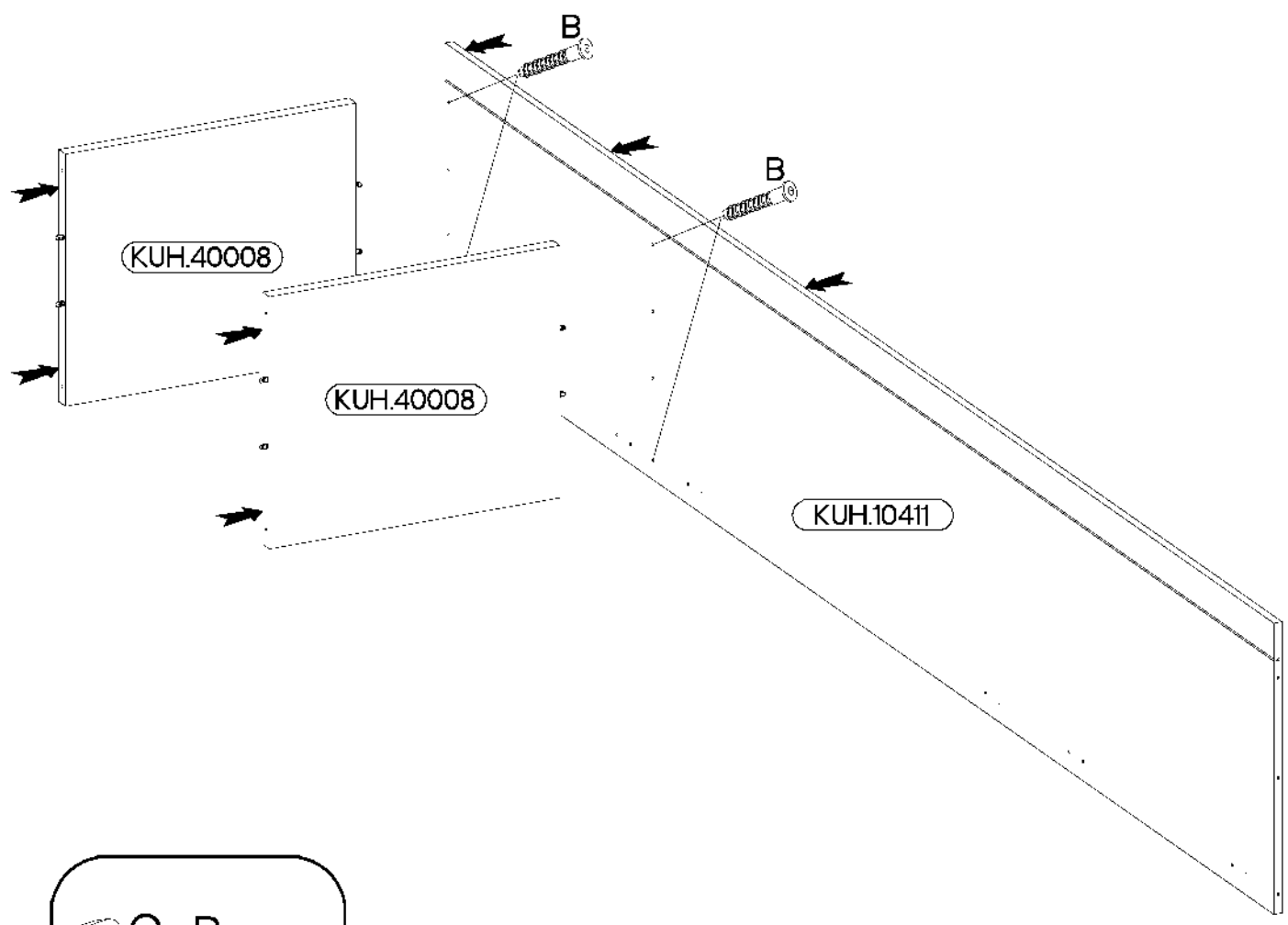
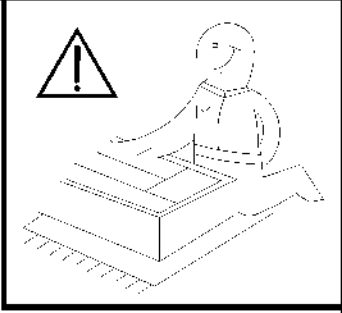
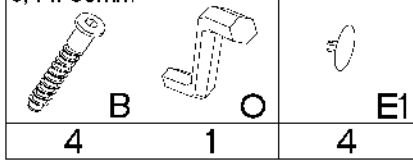
Colli.	Spare Part	Dimension
Colli 1/2	KUH.40008 x2	567x485x16
	KUH.40148	599x560x16
	KUH.60323	490x585x2,5
	KUH.70906	481x596x16
	KUH.70907	890x596x16
	KUH.70908	574x596x16
	KUH.90215 x2	515x150x16
	KUH.90218	599x150x16
Colli 2/2	KUH.10410	1945x560x16
	KUH.10411	1945x560x16

$\pm 8 \times 30 \text{mm}$  A 8	$\pm 3.5 \times 13 \text{mm}$  P5 16	 F15 4
---	---	--


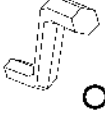



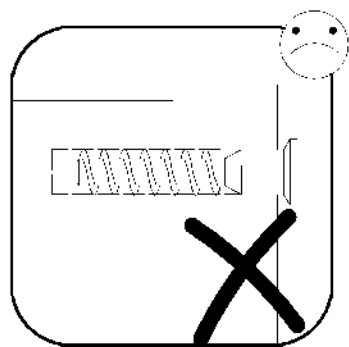
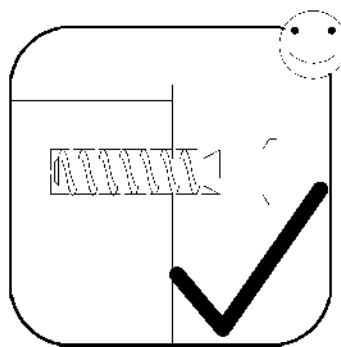
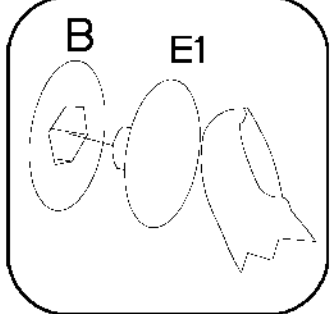
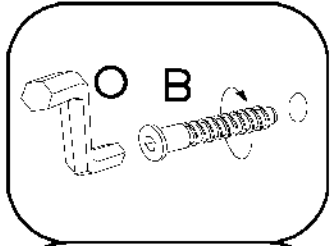
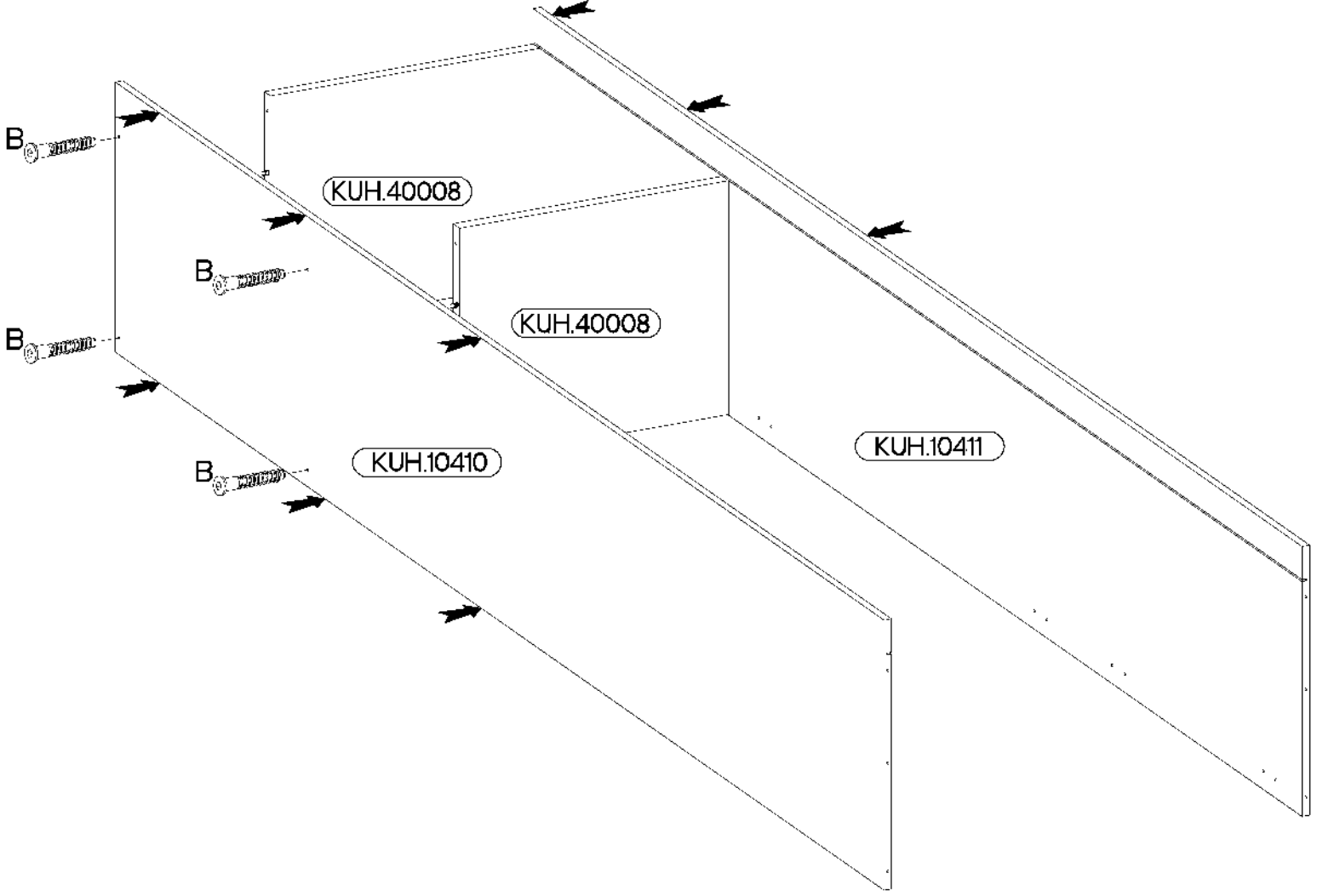
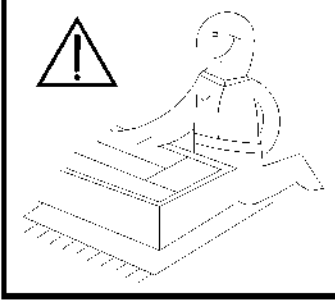
2

6,4 x 50mm



6,4 x 50mm

		
B	O	E1
4	1	4

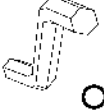


4.

6,4 x 50mm



B



O

KUH.40008

KUH.40008

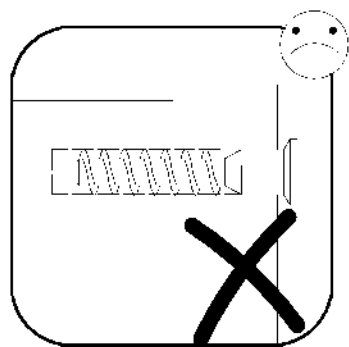
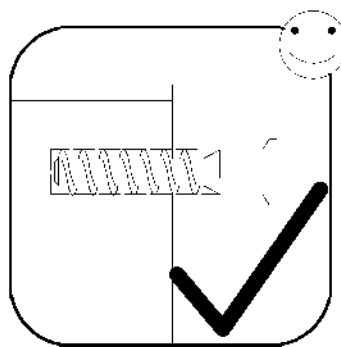
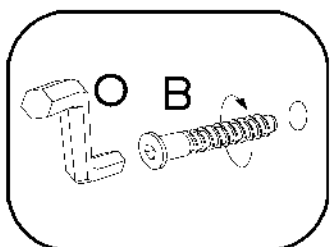
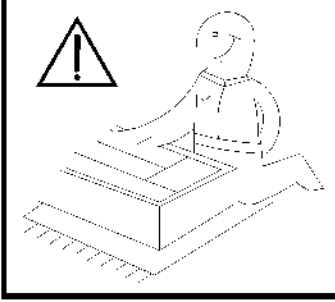
KUH.10411

KUH.10410

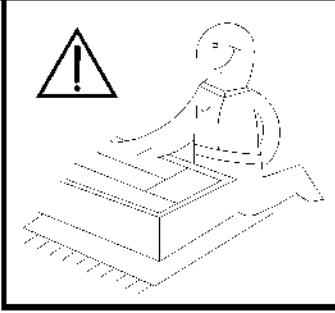
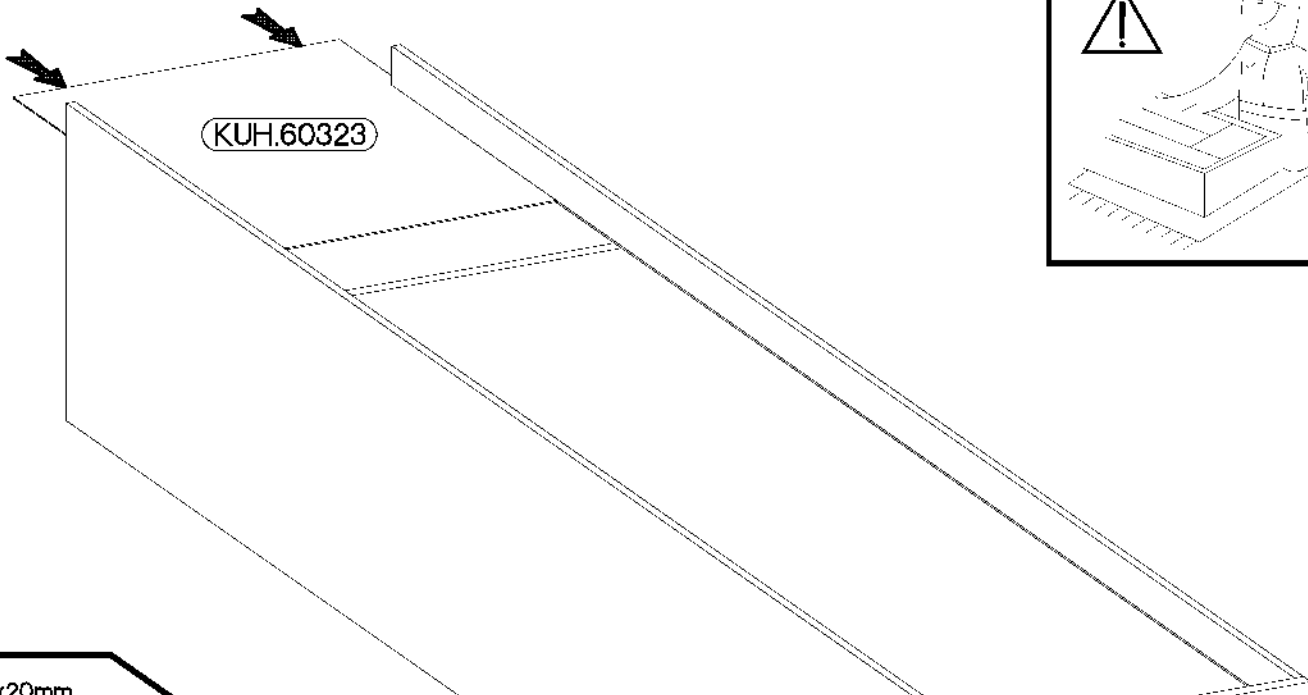
KUH.40148

B

B



5



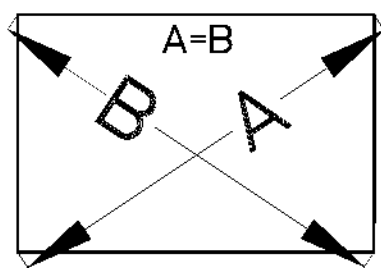
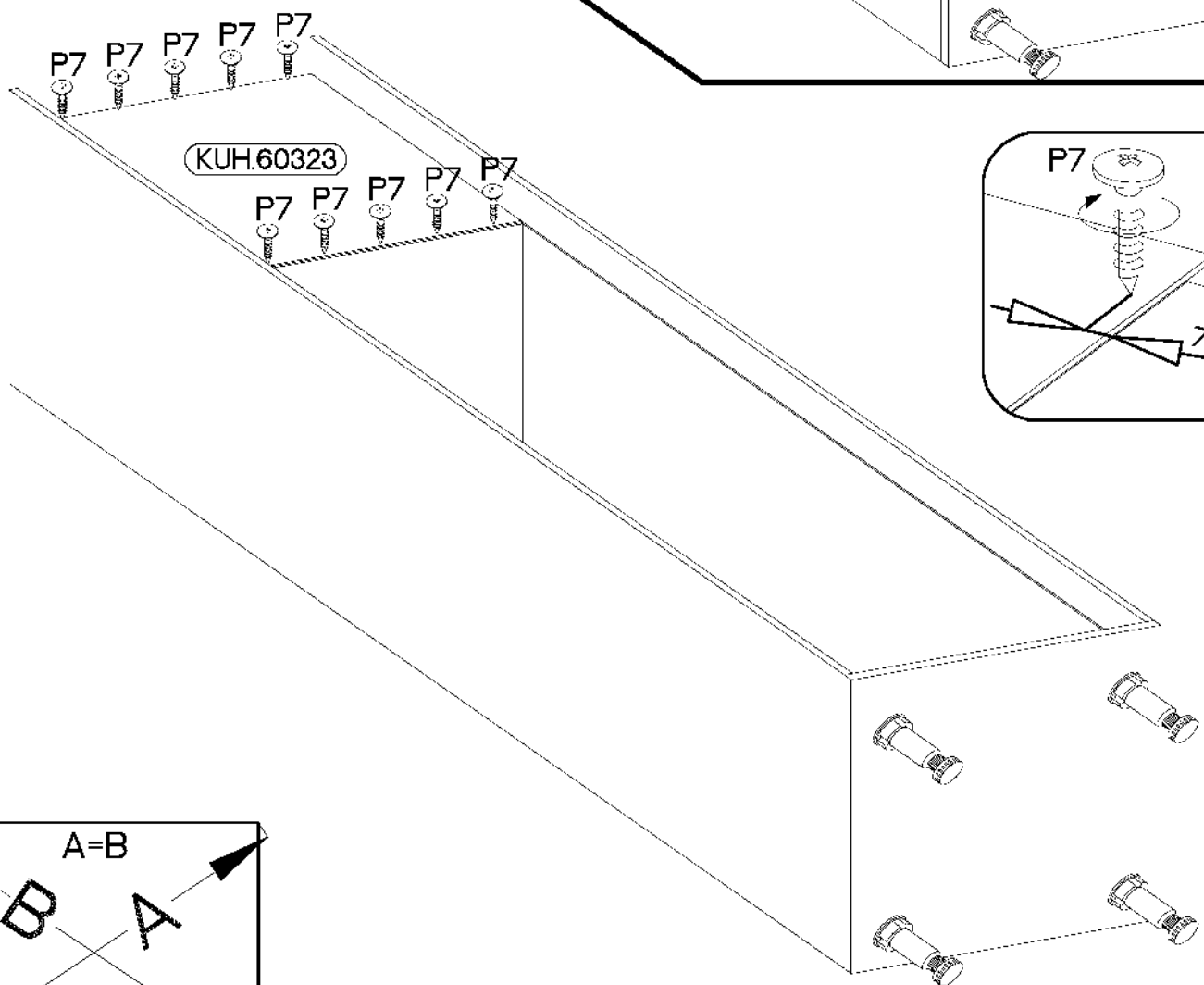
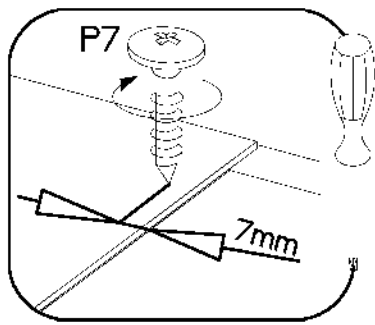
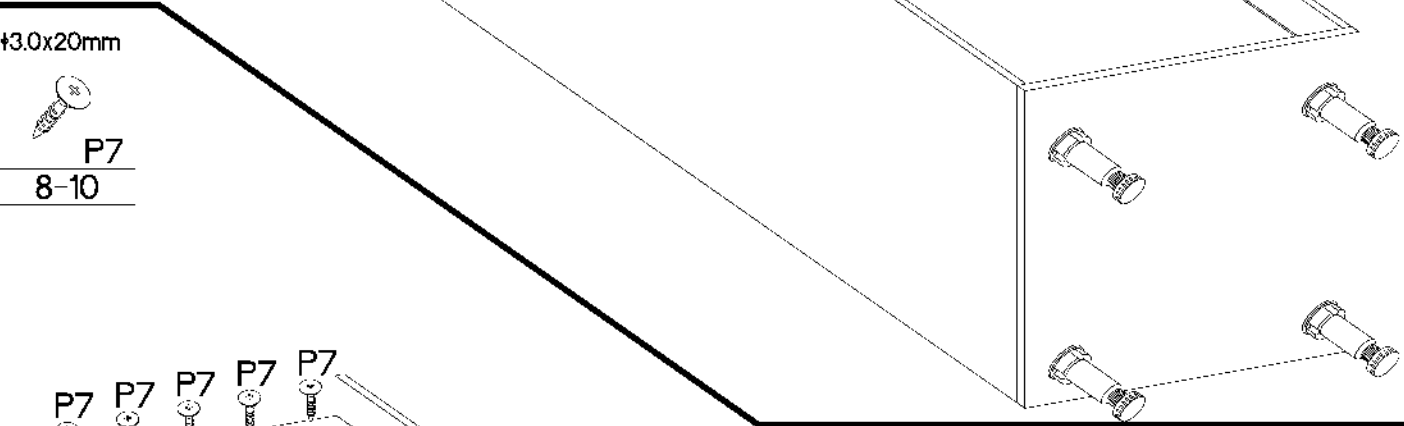
6

φ3.0x20mm



P7

8-10



+3.5x13mm

L=600mm



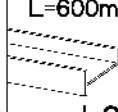
P5

12



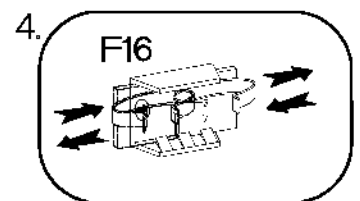
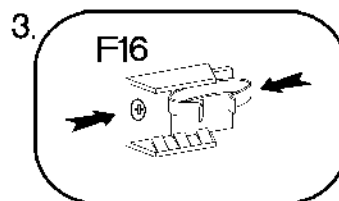
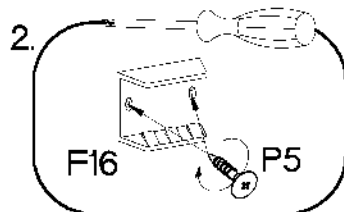
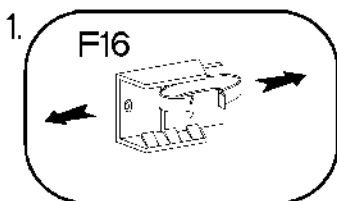
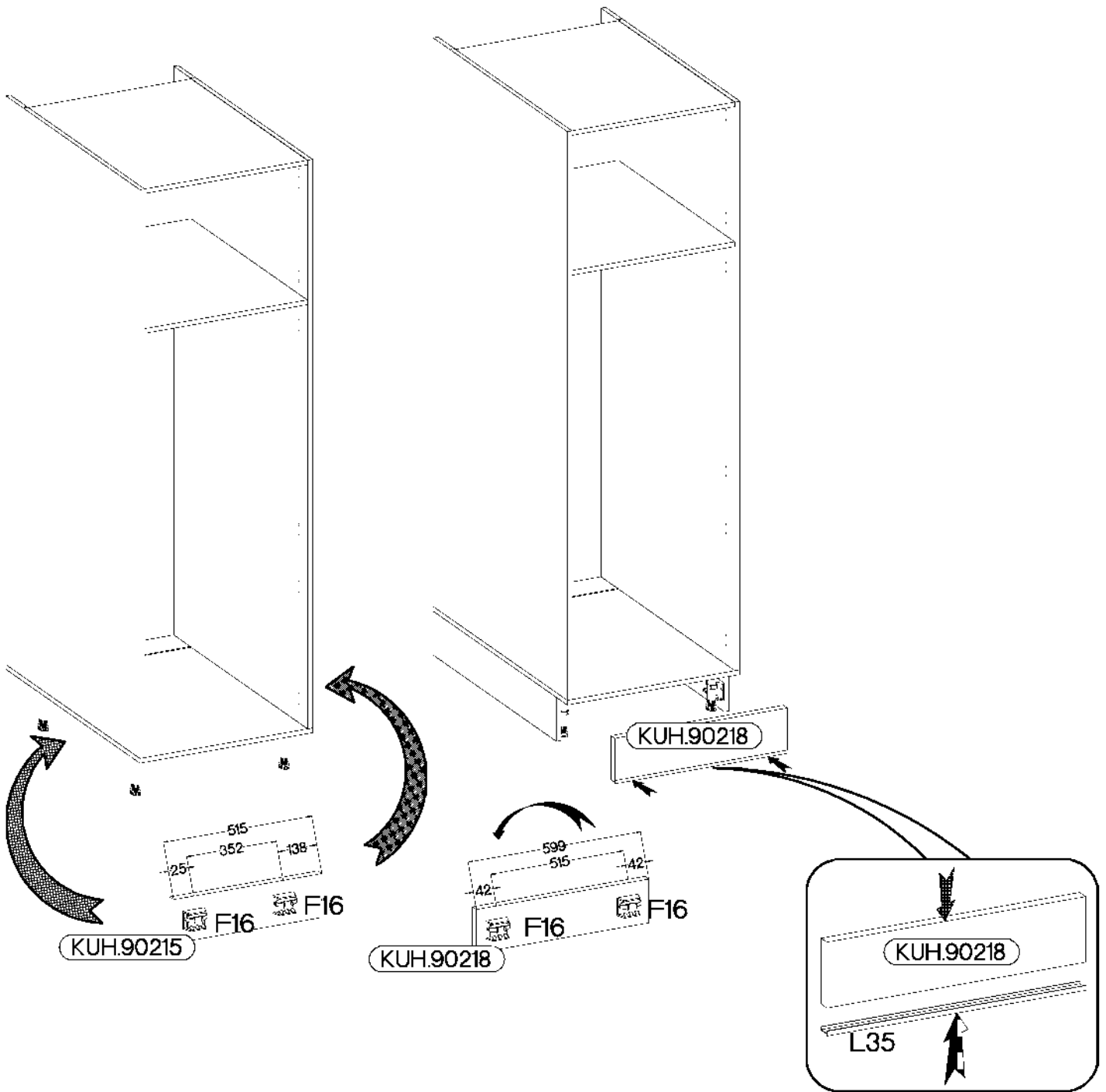
F16

6



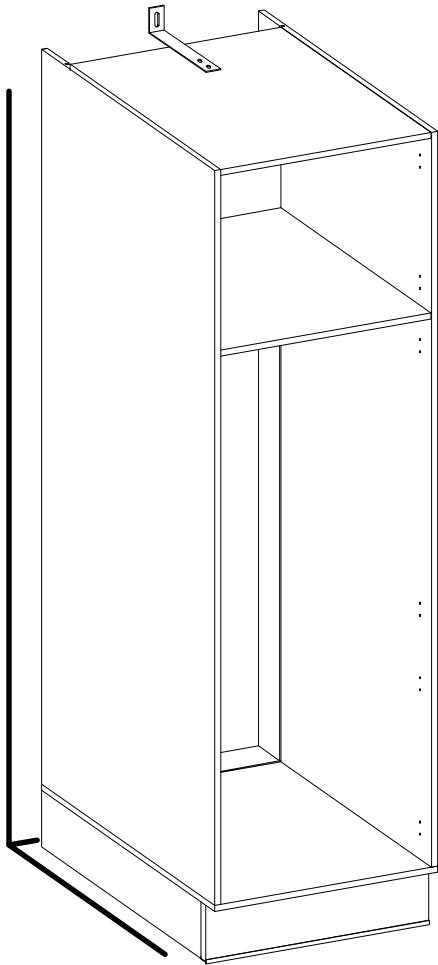
L35

1

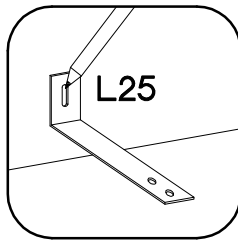


8

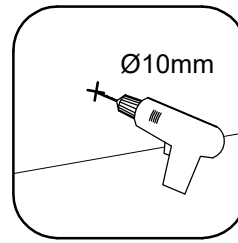
±3.5x13mm P5 2	120x30x15mm L25 1
----------------------	-------------------------



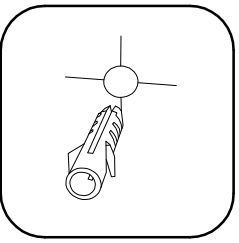
1.



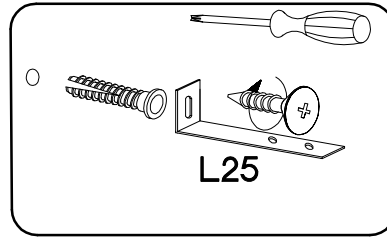
2.



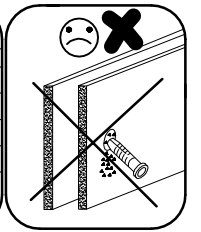
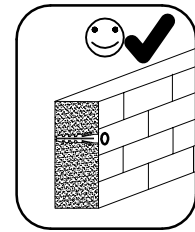
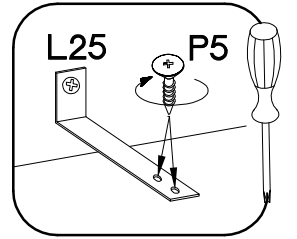
3.



4.

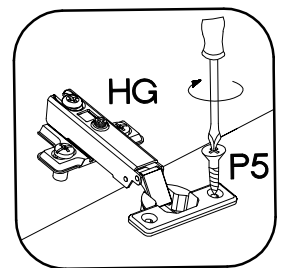
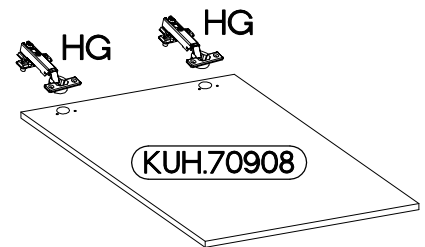
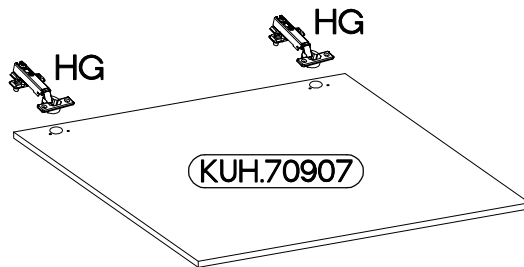
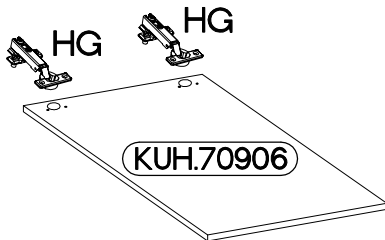




5.

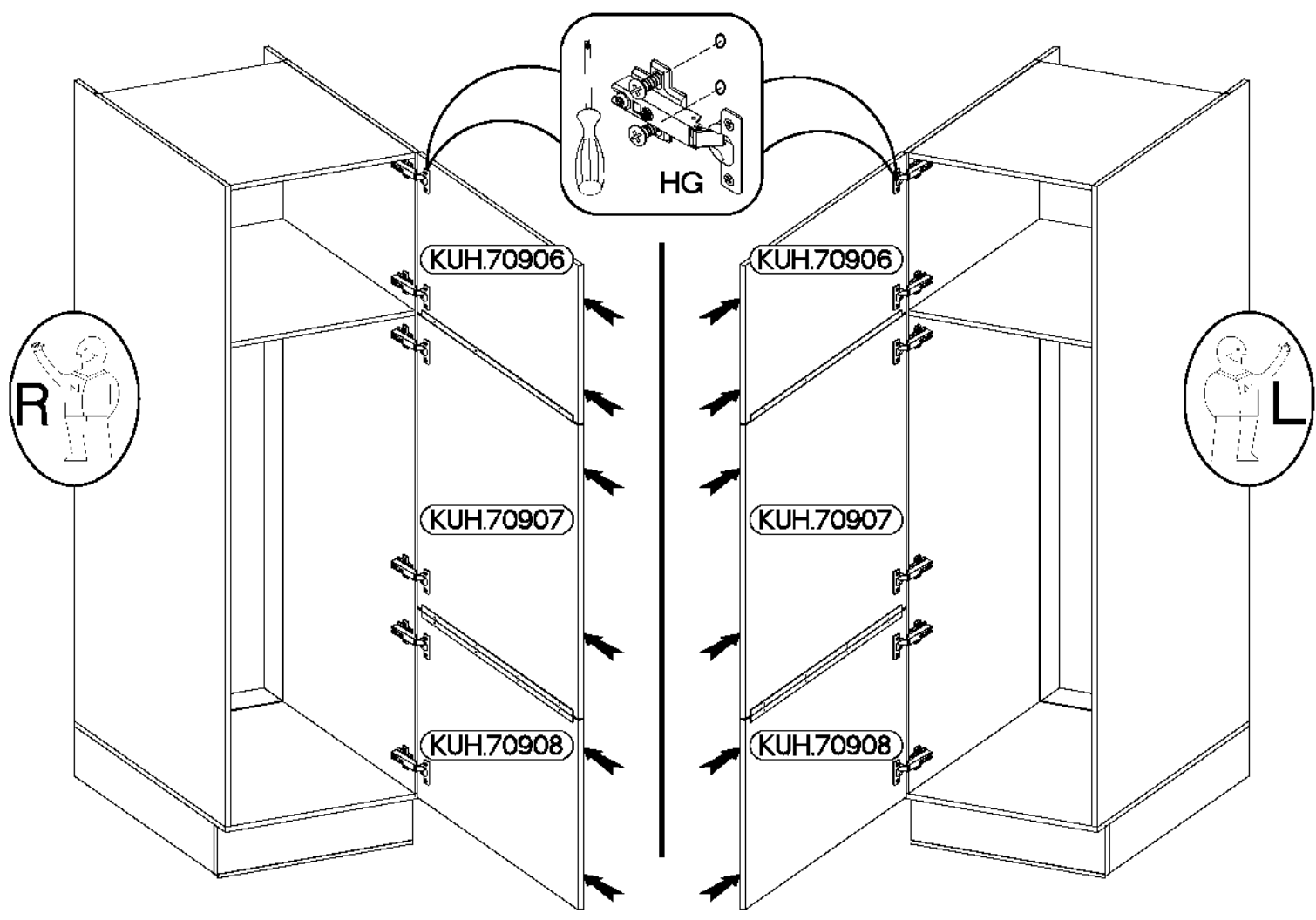
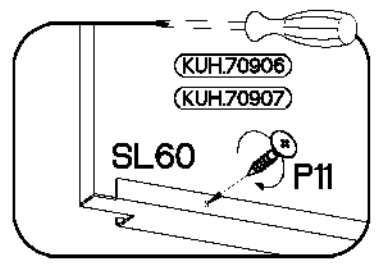
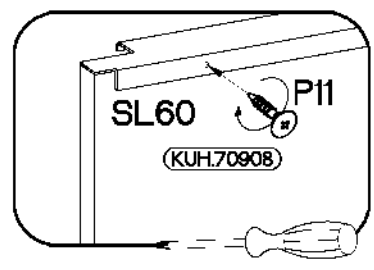


9

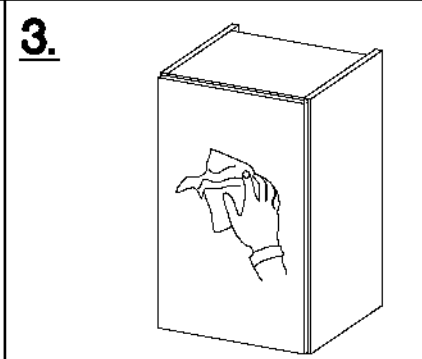
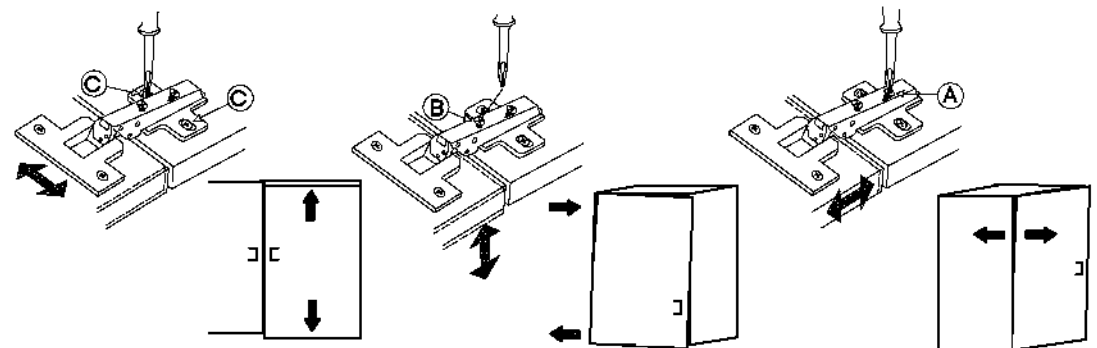
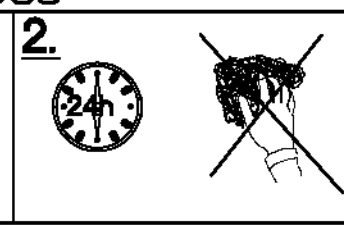
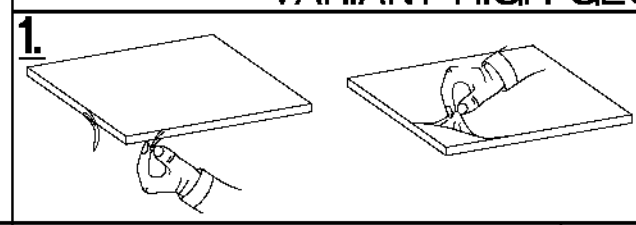
±35/0mm HG 6	±3.5x13mm P5 12
--------------------	-----------------------

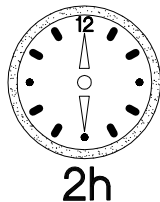
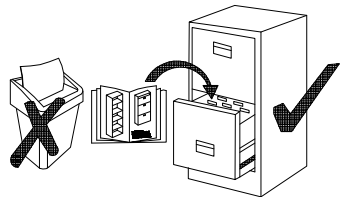
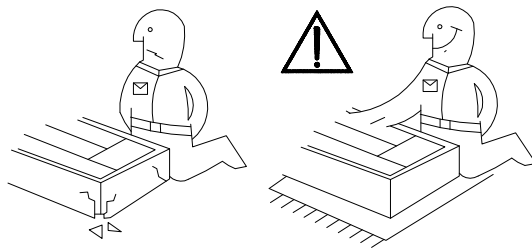
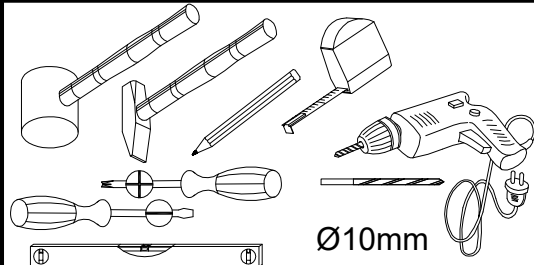
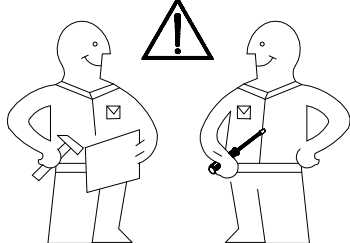


∅3.0x16mm	L=595mm
	
P11	SL60
12	3



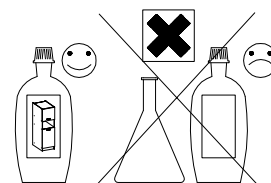
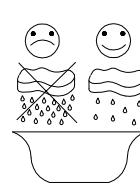
VARIANT HIGH GLOSS



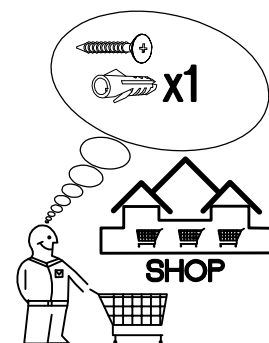
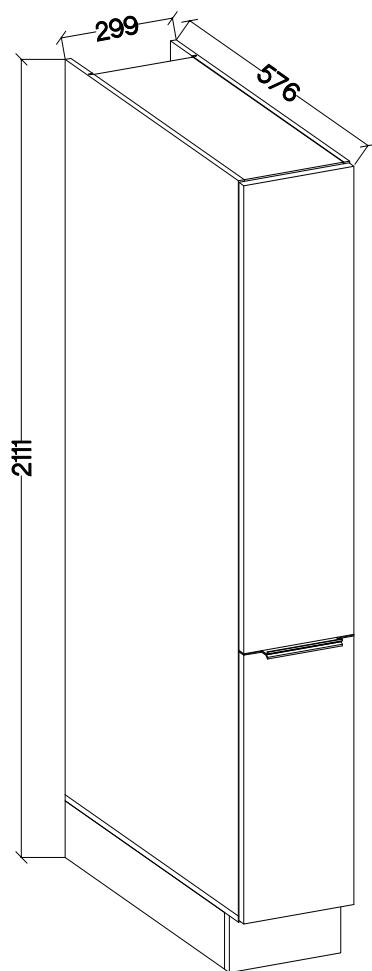


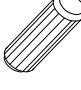
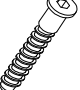





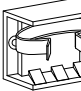

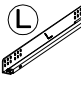
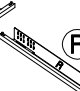
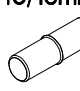
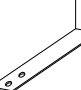




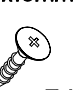

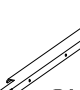
SAFADO / MARLEEN

73-152-...
73-15B-...
73-15A-...

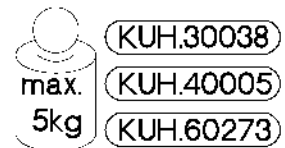
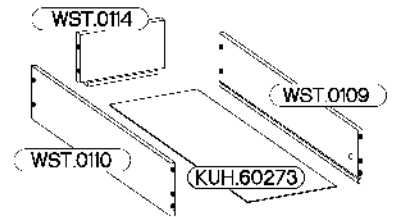
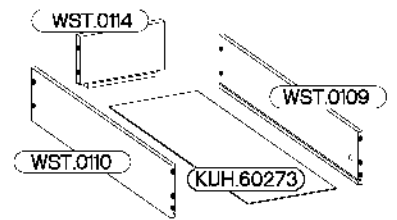
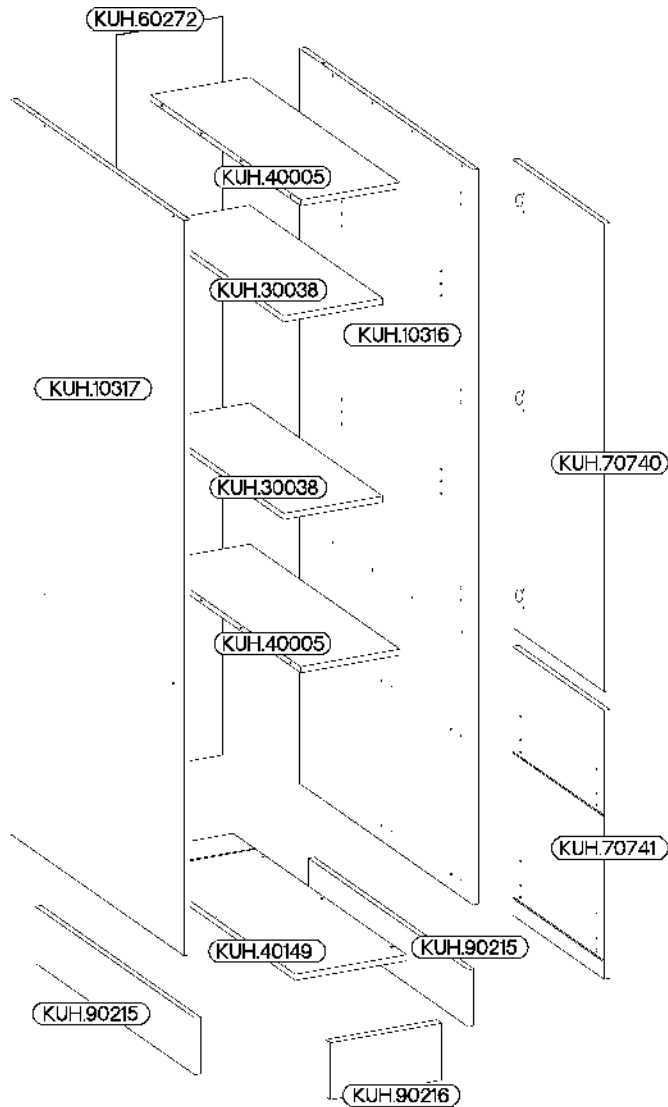


respekta®



 †8x30mm A 16	 6,4 x 50mm B 14	 †6x42mm B2 8	 †12/10mm C5 4	 L=20mm D2 4	 E1 14	 F15 4	 F16 6	 †35/0mm HG 3	 L  R L=450mm I11 2	 †5/16mm J3 8
 L25 1	 †6.3x13mm M2 16	 O 1	 †3.5x13mm P5 36	 †3.0x20mm P7 8-10	 †3.0x16mm P11 6	 †4.0x25mm R 4	 L=295mm SL30 2			

ISM-KUH-01606



Colli	Spare Part	Dimension
Colli 1/2	KUH.40005 x2	267x485x16
	KUH.40149	299x560x16
	KUH.70740	1238x296x16
	KUH.90215 x2	515x150x16
	KUH.90216	299x150x16
Colli 2/2	KUH.10316	1945x560x16
	KUH.10317	1945x560x16
	KUH.30038 x2	266x430x16
	KUH.60272	1953x285x2,5
	KUH.60273 x2	448x237x2,5
	KUH.70741	711x296x16
	WST.0109 x2	450x140x12
	WST.0110 x2	450x140x12
WST.0114 x2	227x140x12	

+8x30mm

L

+6.3x13mm

R



8

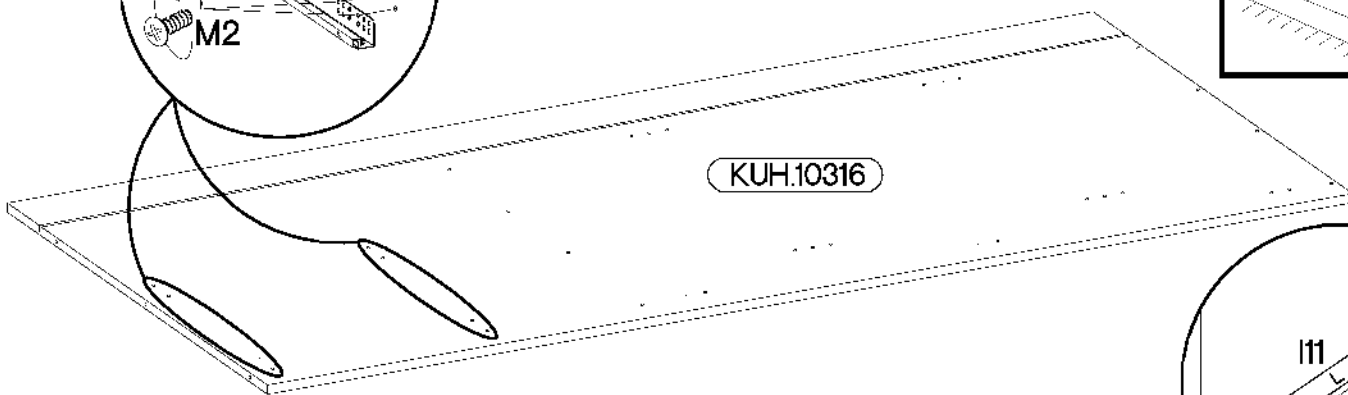
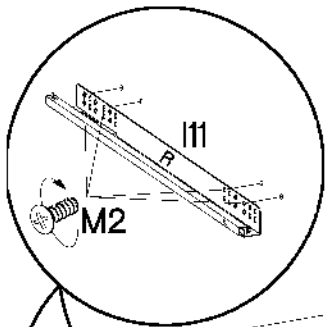
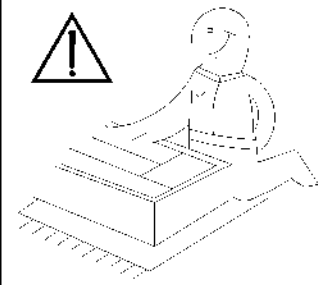
A L=450mm

2

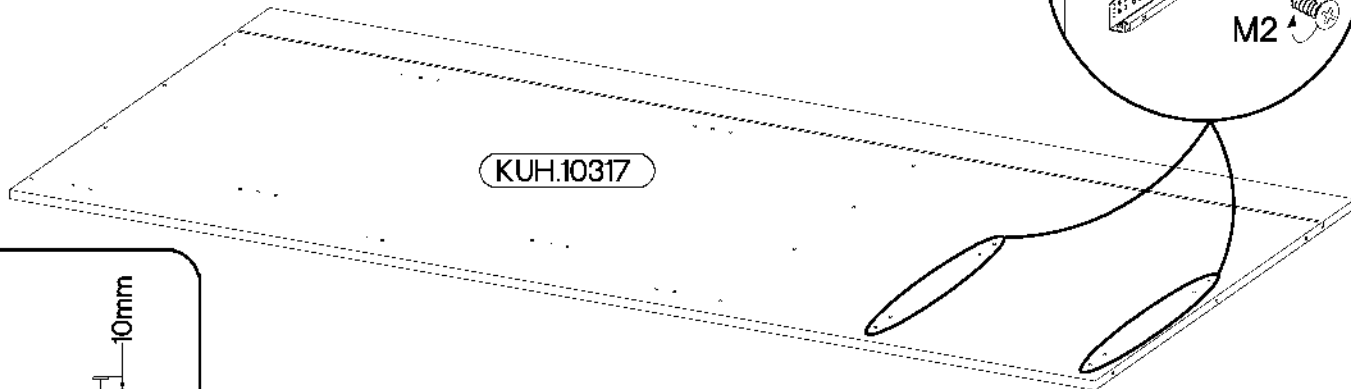
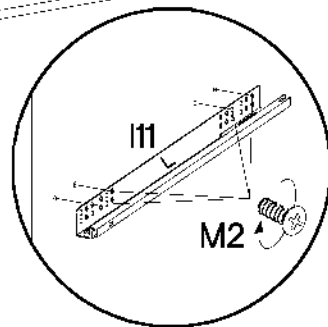
I11

M2

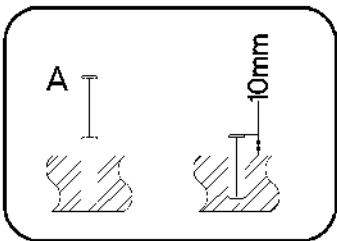
16



KUH.10316



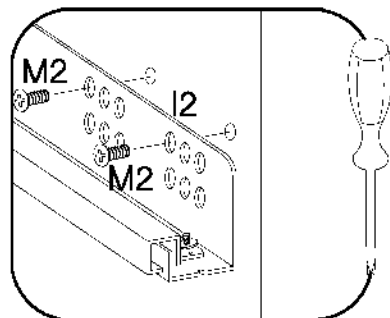
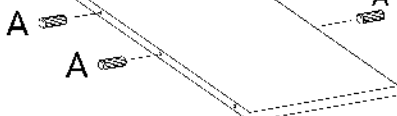
KUH.10317



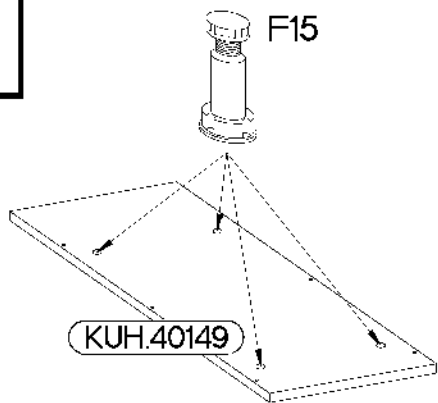
KUH.40005



KUH.40005



2



KUH.40149

+3.5x13mm

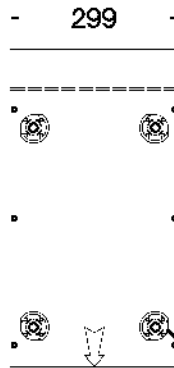


P5

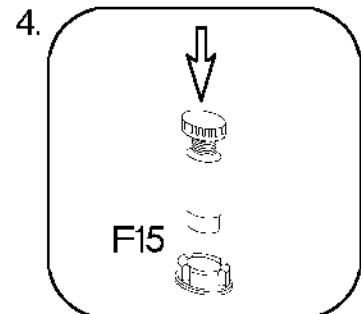
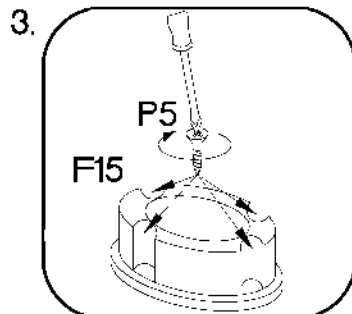
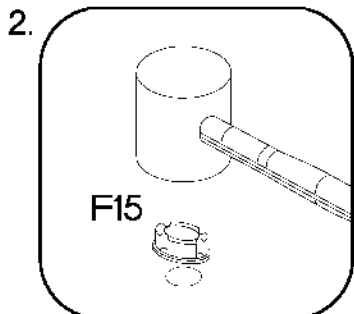
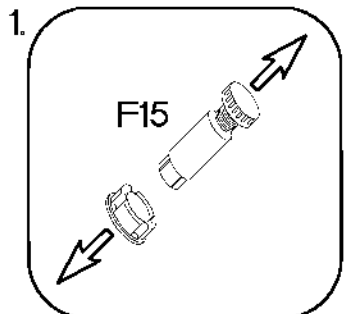
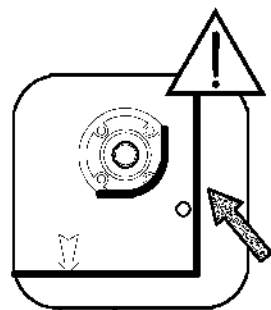
16

F15

4



299



6,4 x 50mm



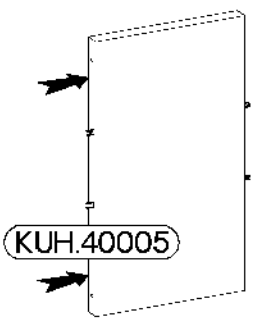
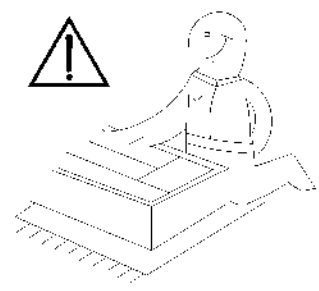
2 B



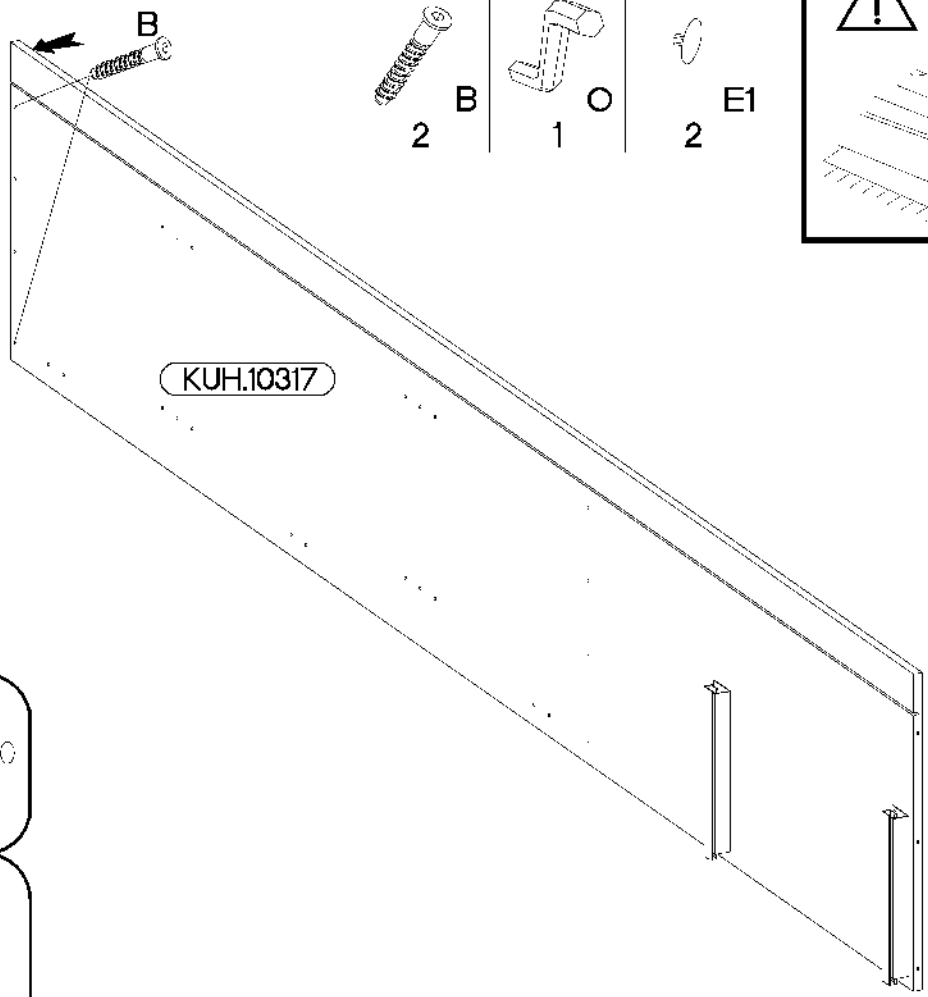
1 O



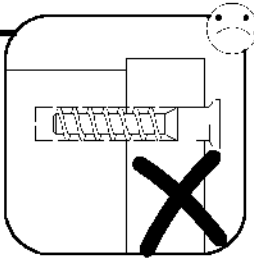
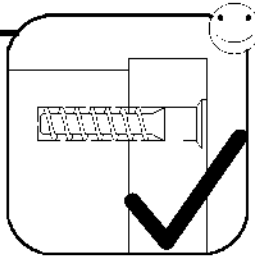
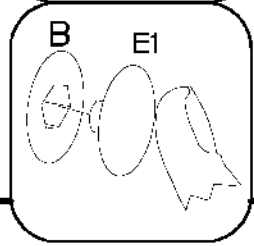
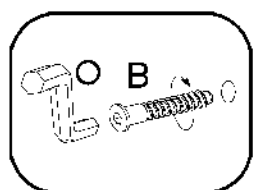
2 E1



KUH.40005



KUH.10317



KUH.40005

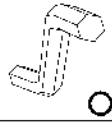
KUH.10317

KUH.40005

6,4 x 50mm



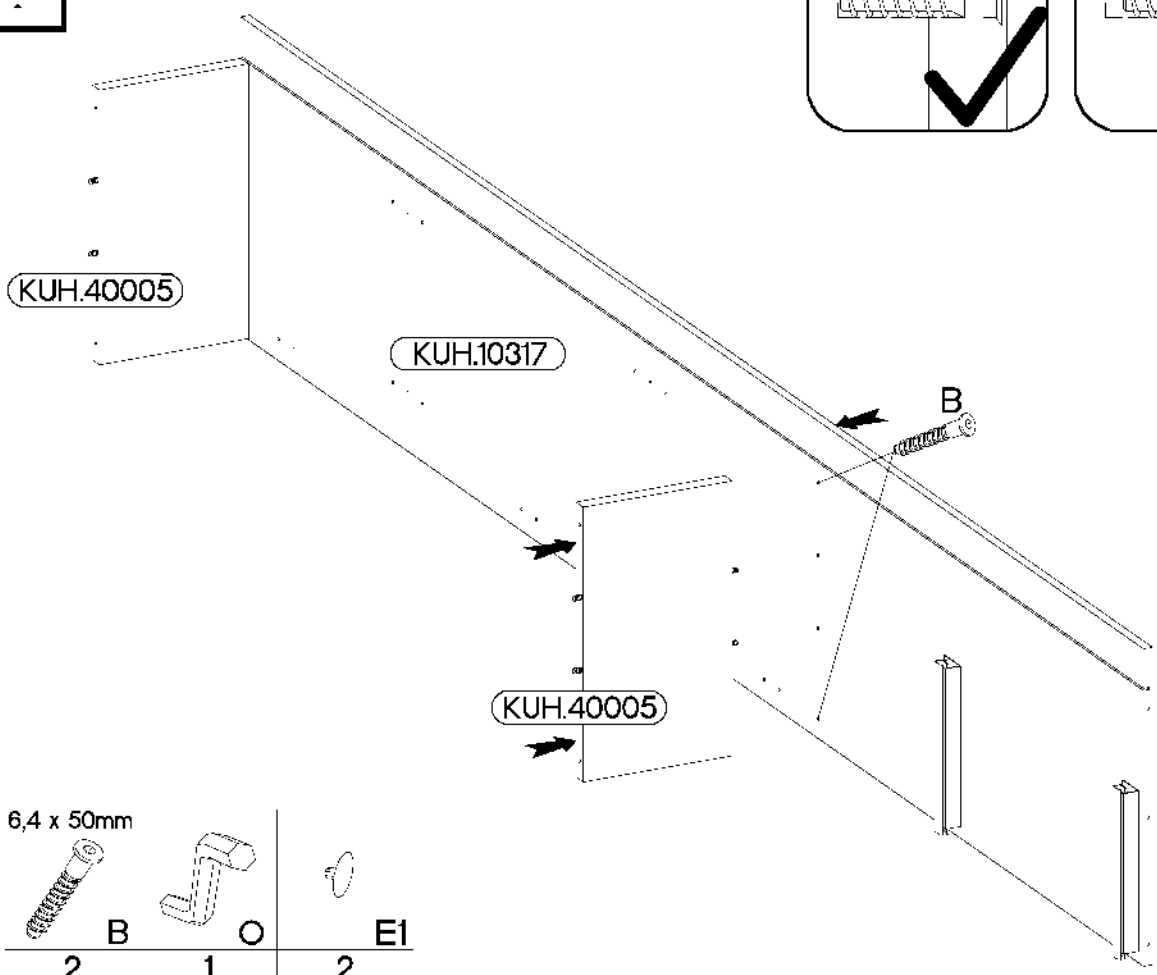
2 B



1 O

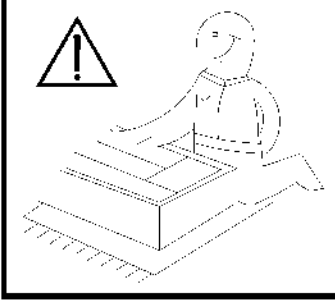
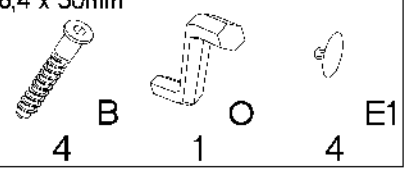


2 E1



5

6,4 x 50mm

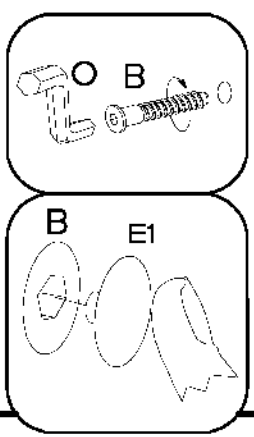


KUH.40005

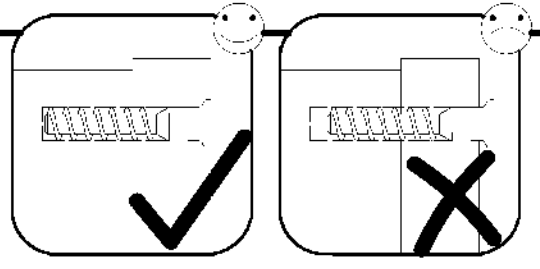
KUH.10317

KUH.10316

KUH.40005



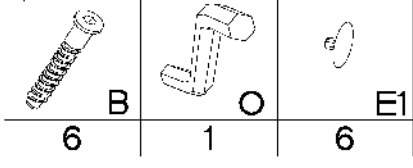
6



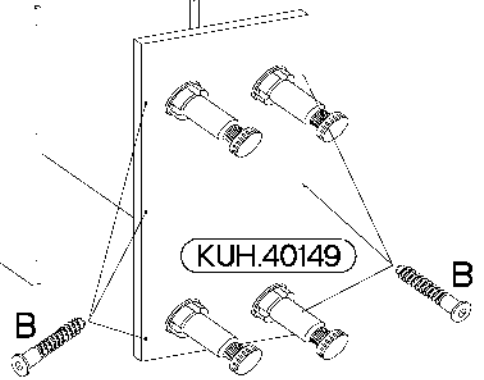
KUH.10317

KUH.10316

6,4 x 50mm



KUH.40149



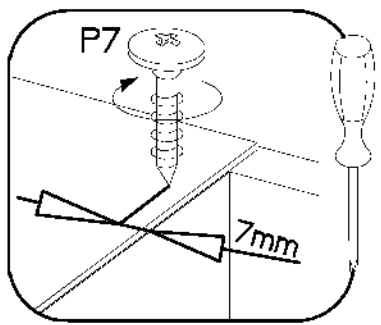
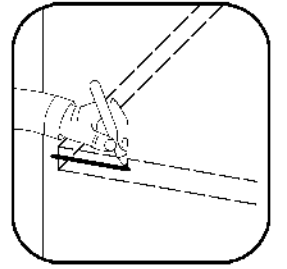
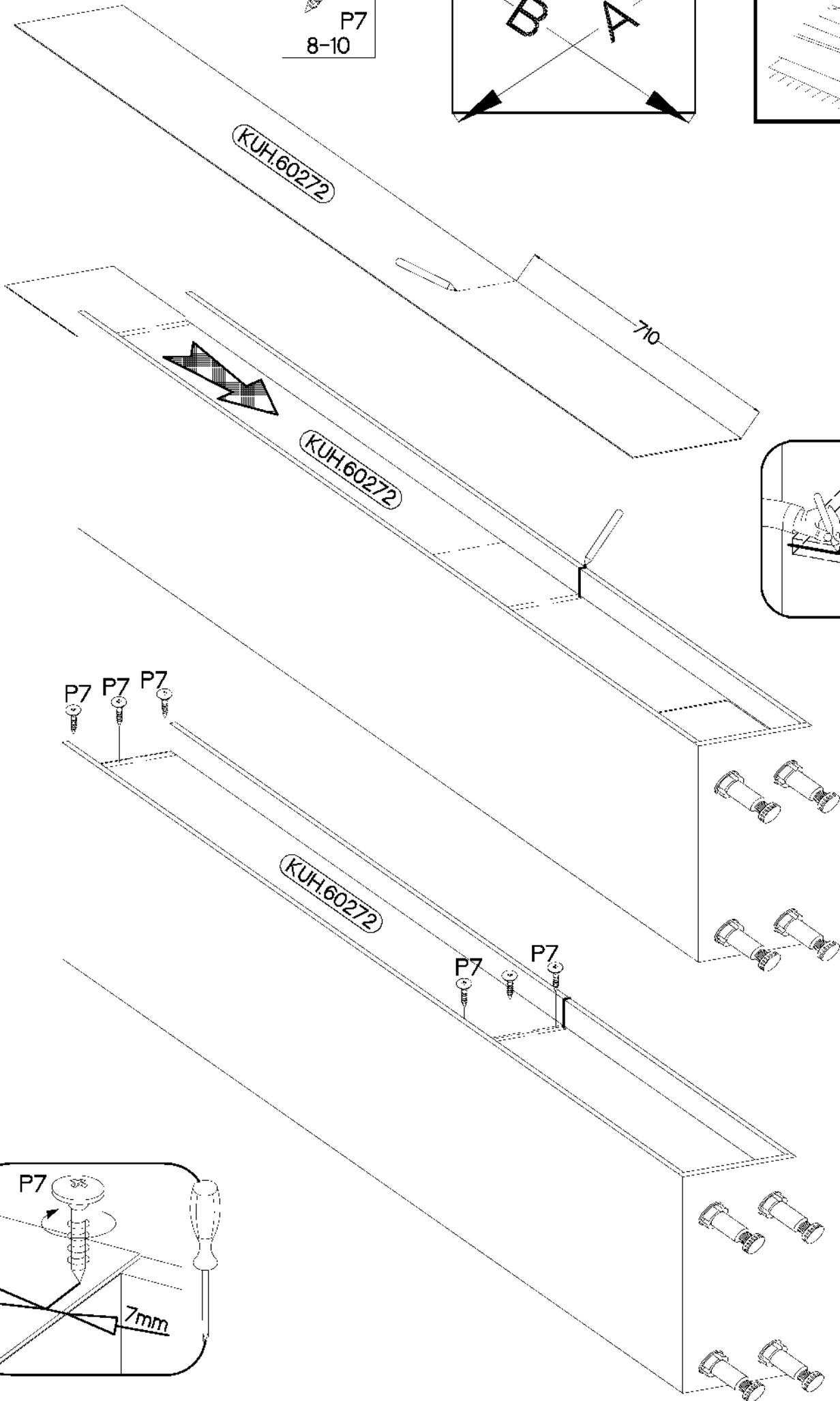
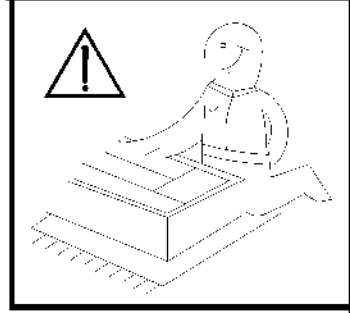
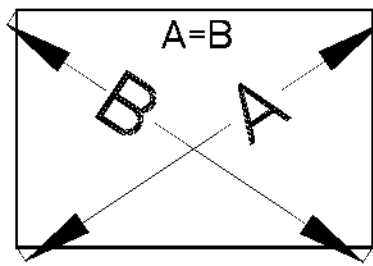


3.0x20mm



P7

8-10



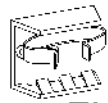


±3.5x13mm



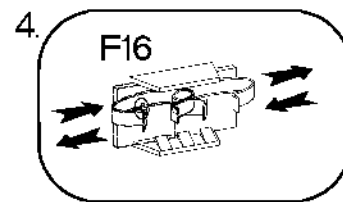
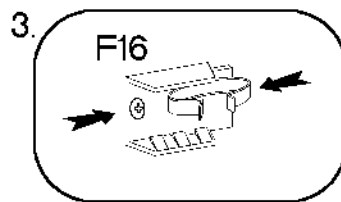
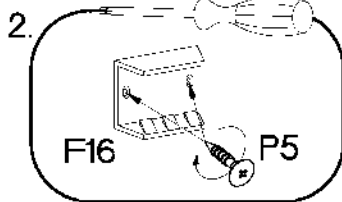
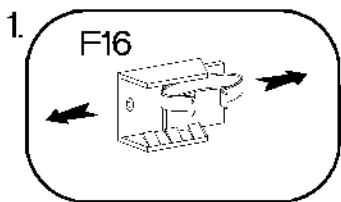
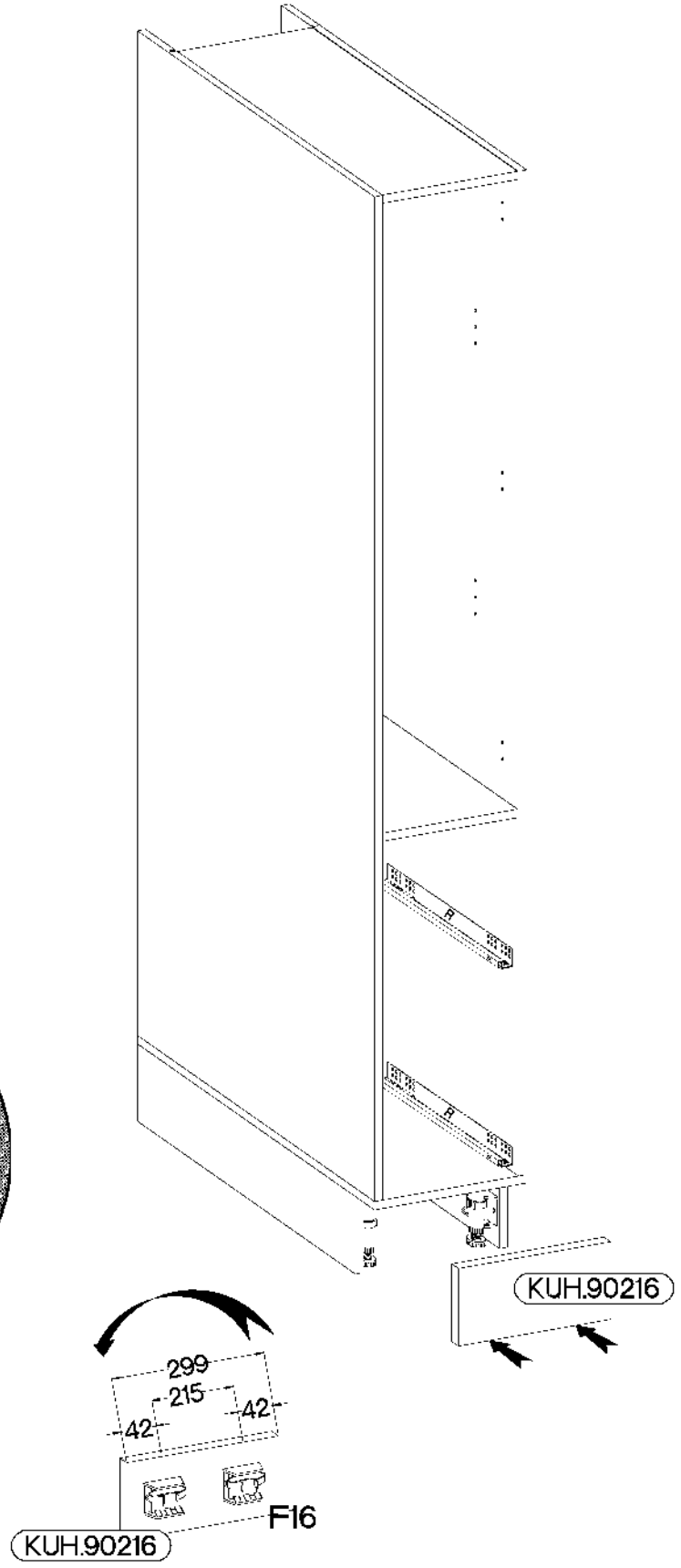
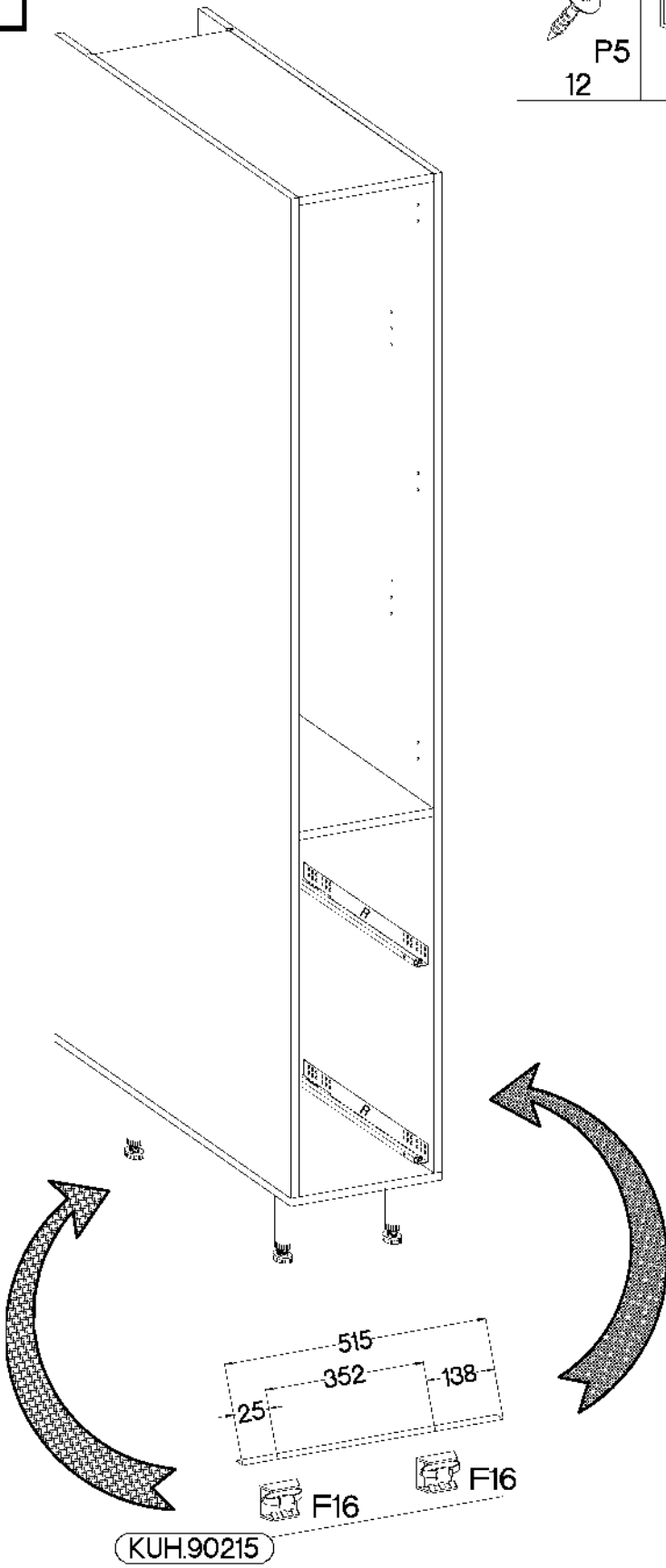
P5

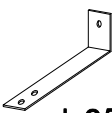

12



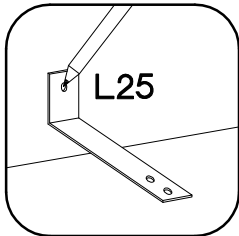
F16

6

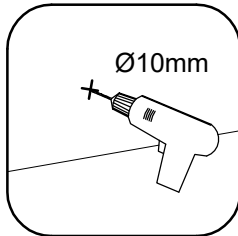


	
L25	P5
1	2

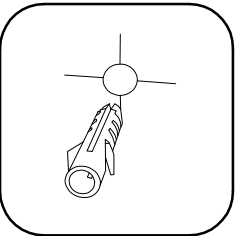
1.



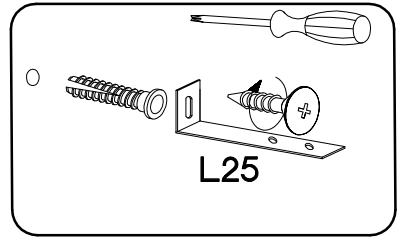
2.



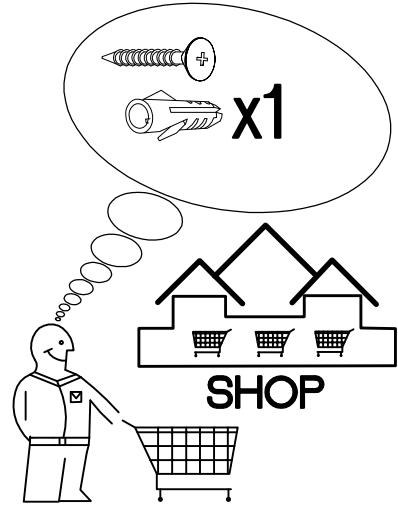
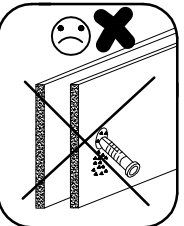
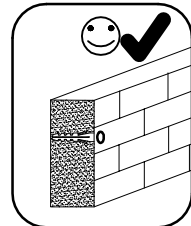
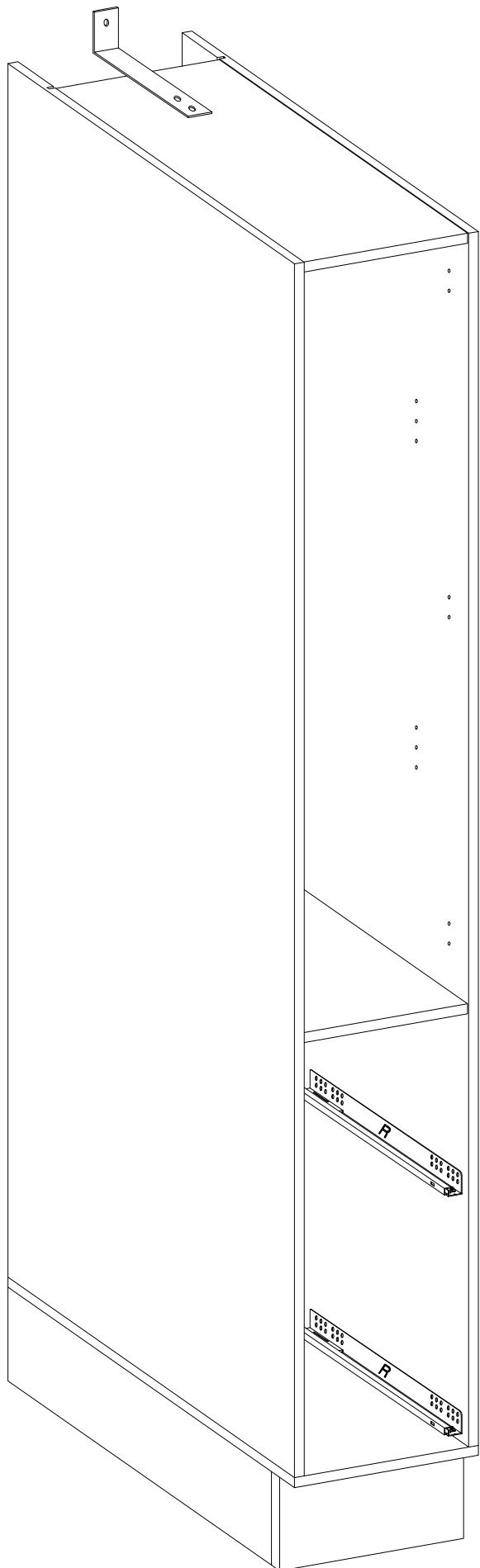
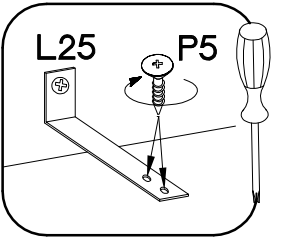
3.



4.



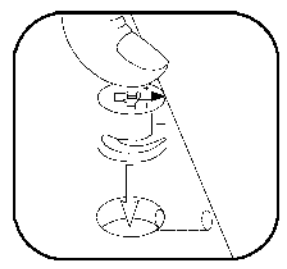
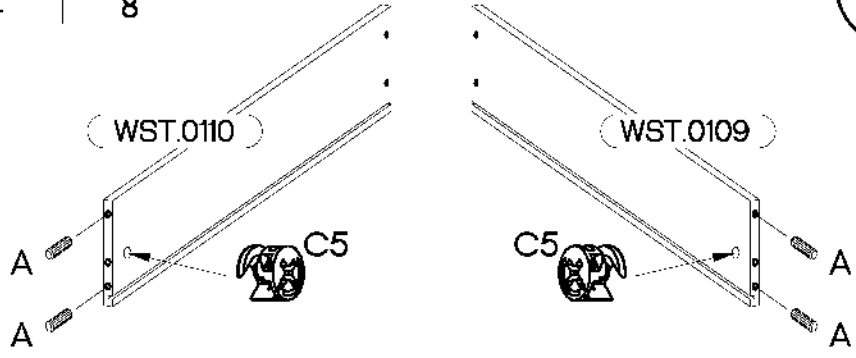
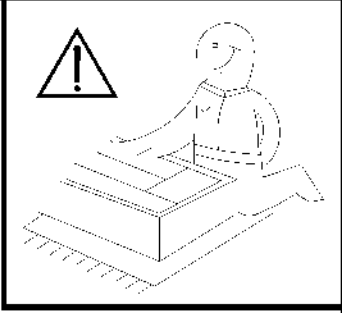
5.



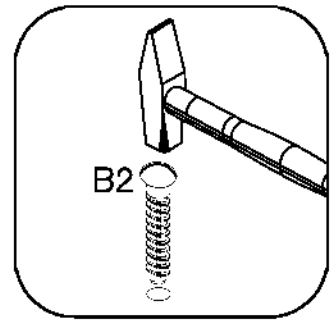
10

- #12/10mm C5 4
- #8x30mm A 8

x2

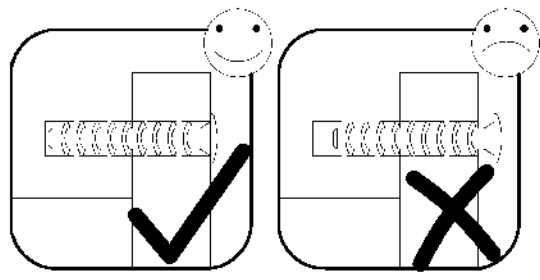
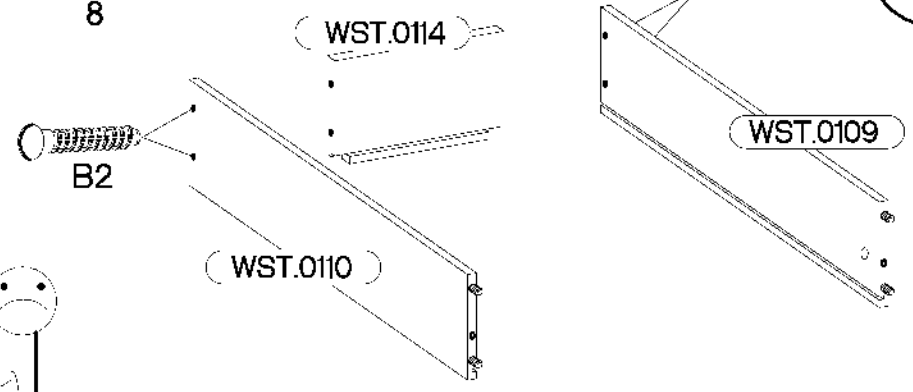


1



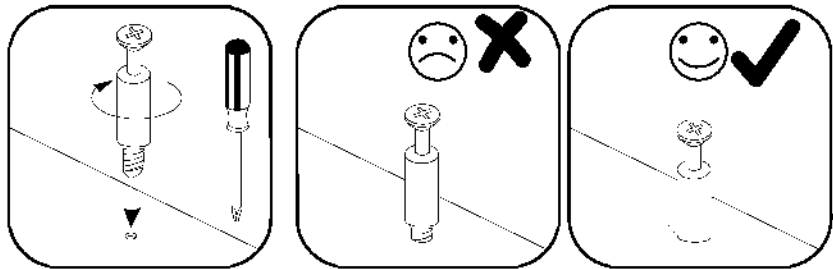
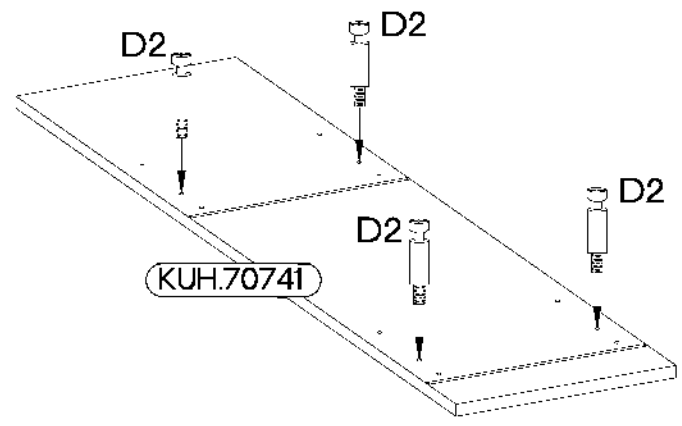
- #6x42mm B2 8

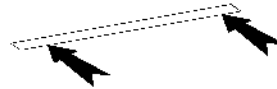
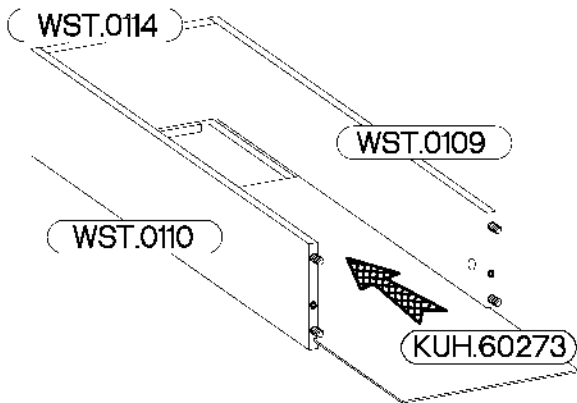
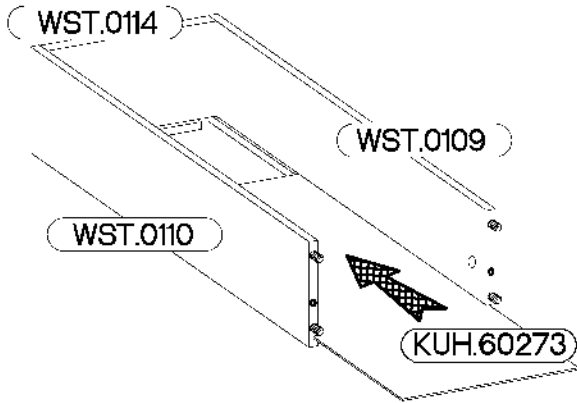
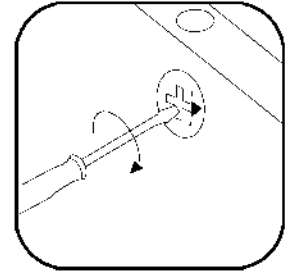
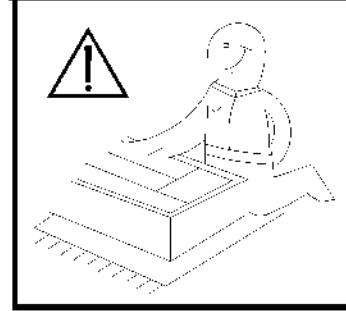
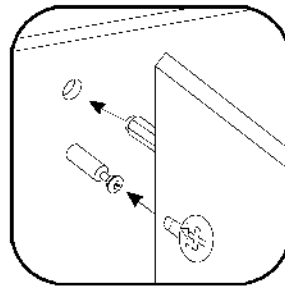
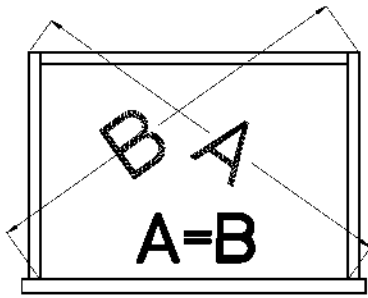
x2



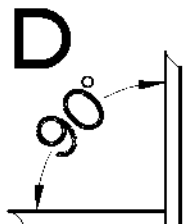
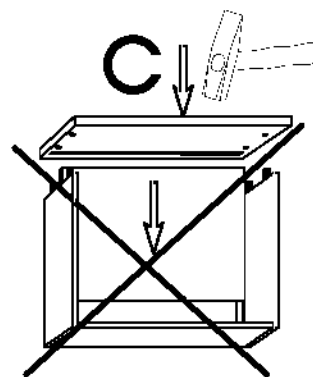
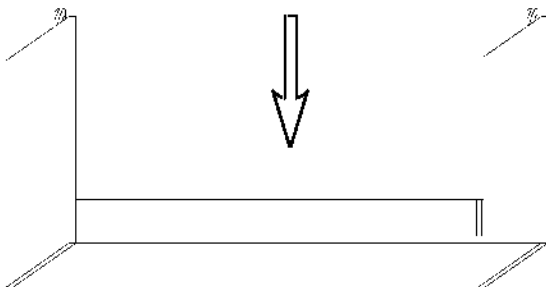
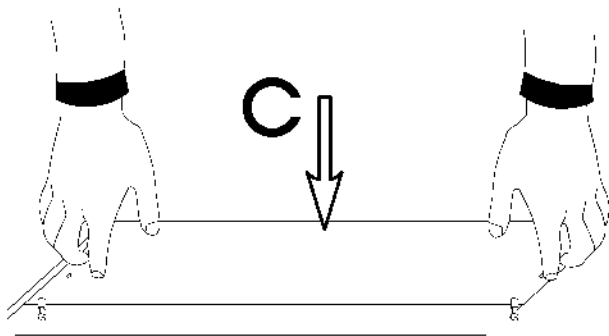
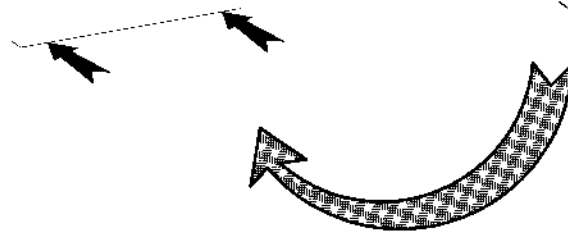
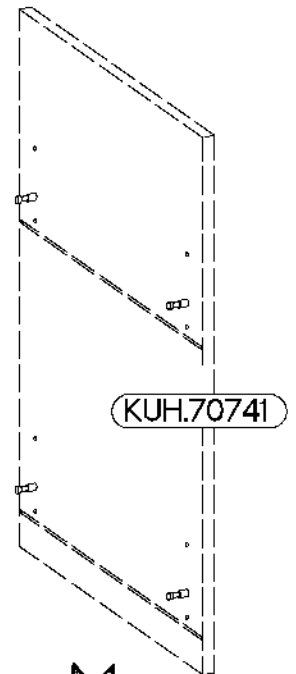
2

- L=20mm D2 4

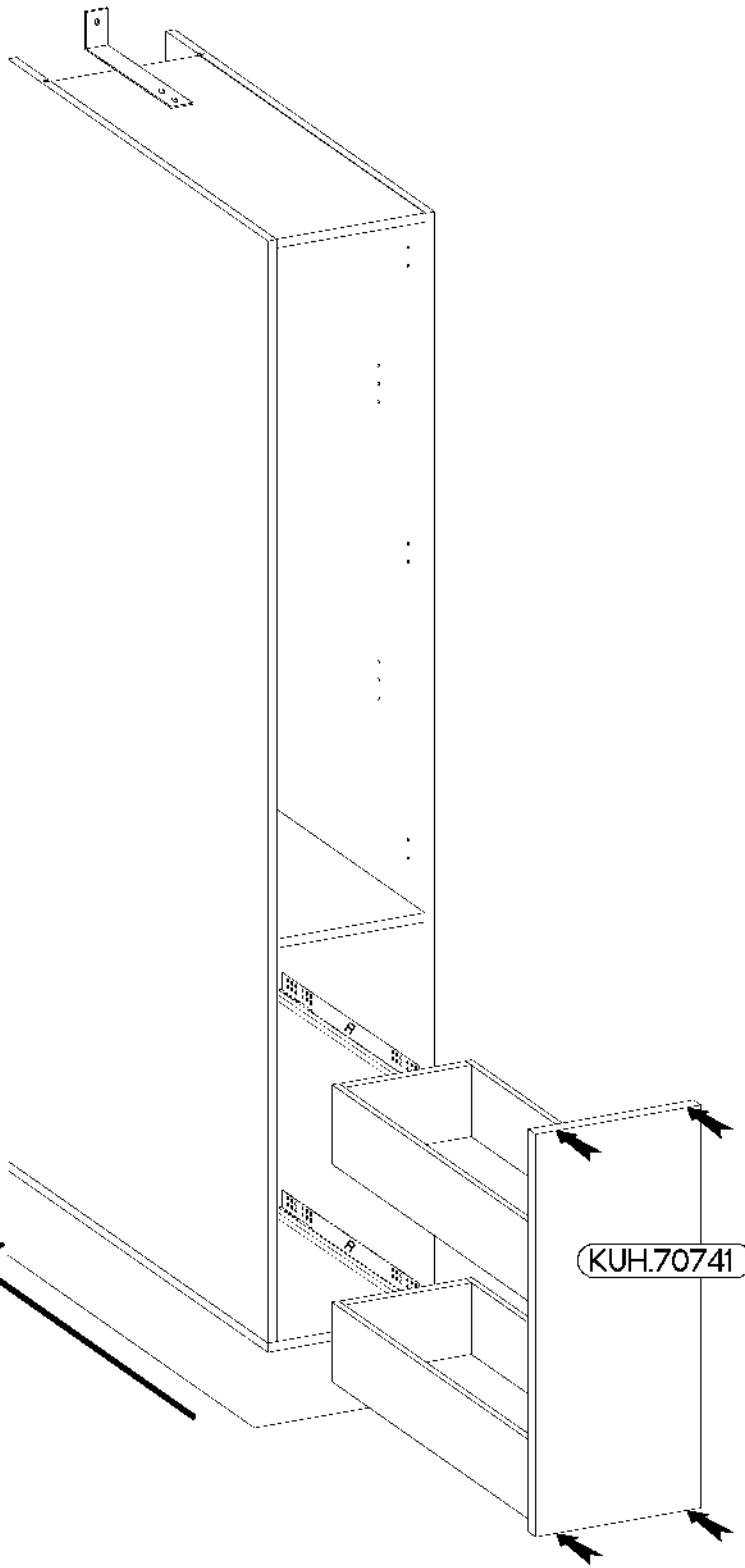




(KUH.70741)

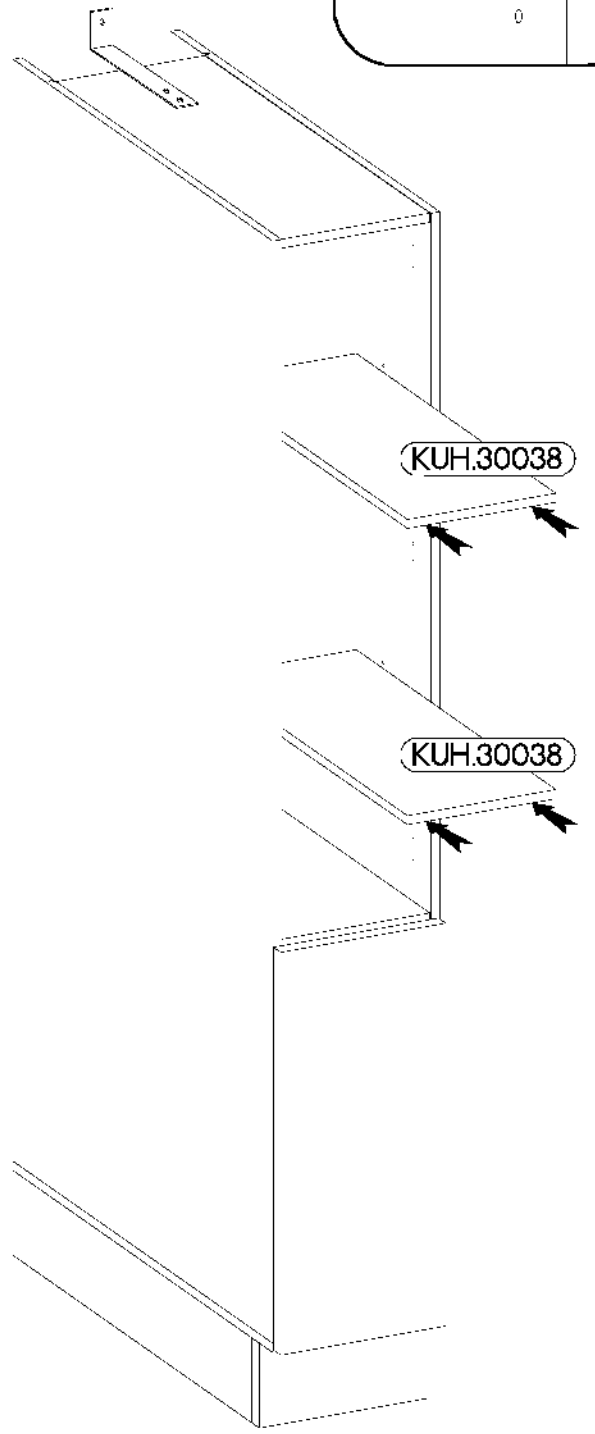
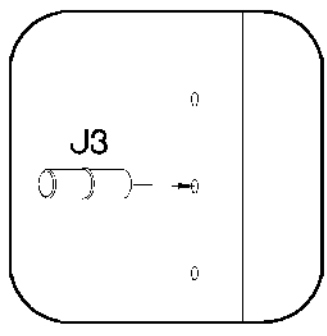


14

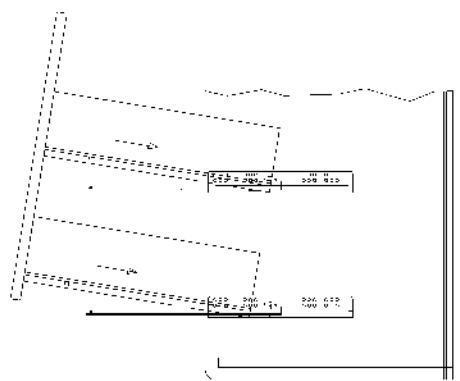


15

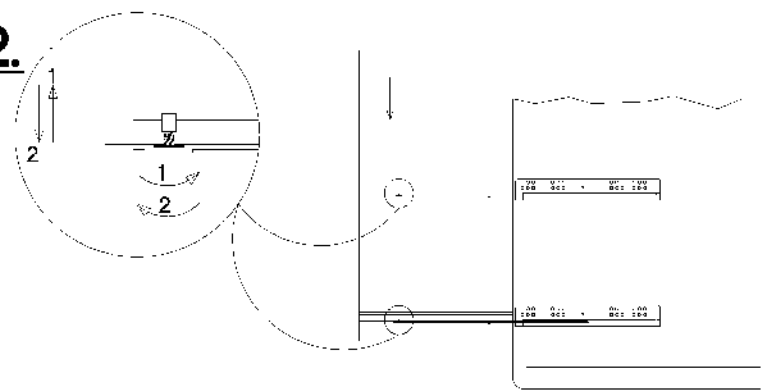
±5/16mm
 J3
 8





1.

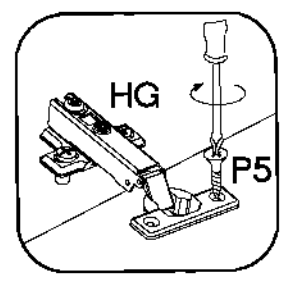
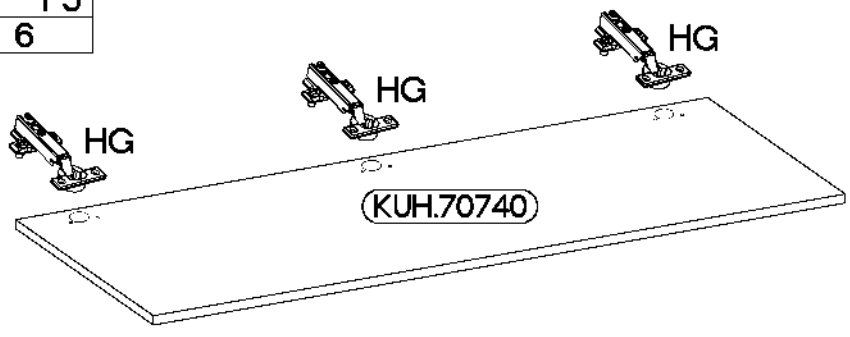


2.

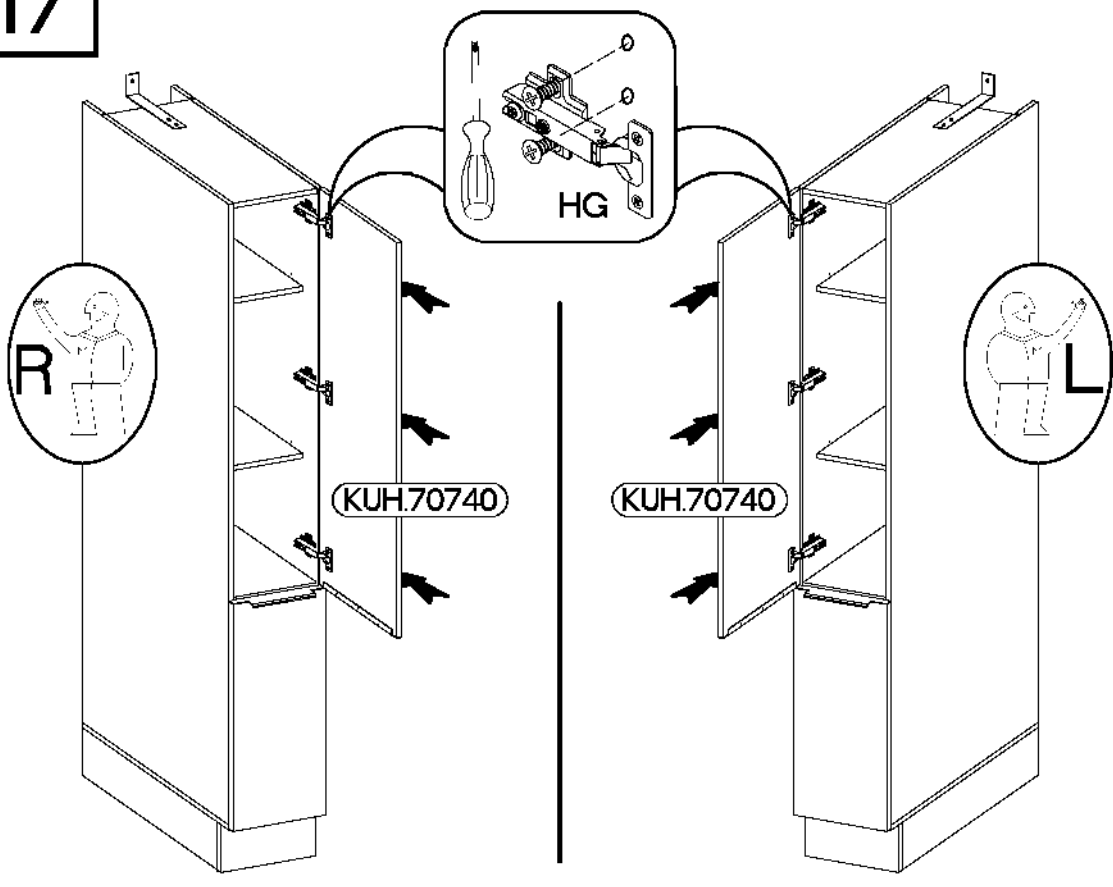




16

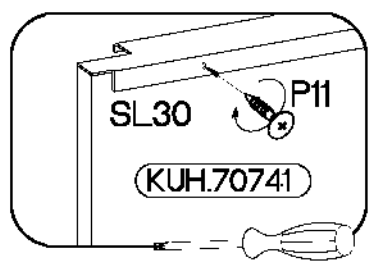
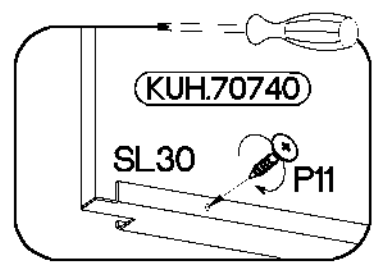
 <p>HG 3</p>	 <p>P5 6</p>
--	--



17



 <p>P11 6</p>	 <p>L=295mm SL30 2</p>
--	---



VARIANT HIGH GLOSS

