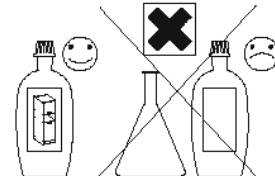


SAFADO / MARLEEN

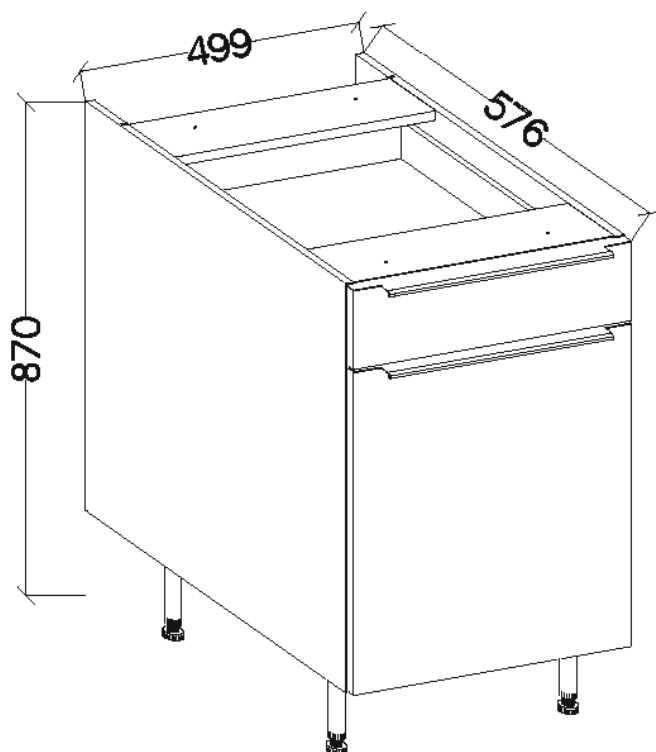
84-170-...






84-176-...







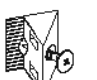



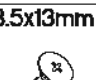
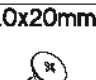
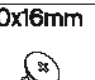

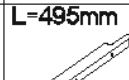
84-17A-...



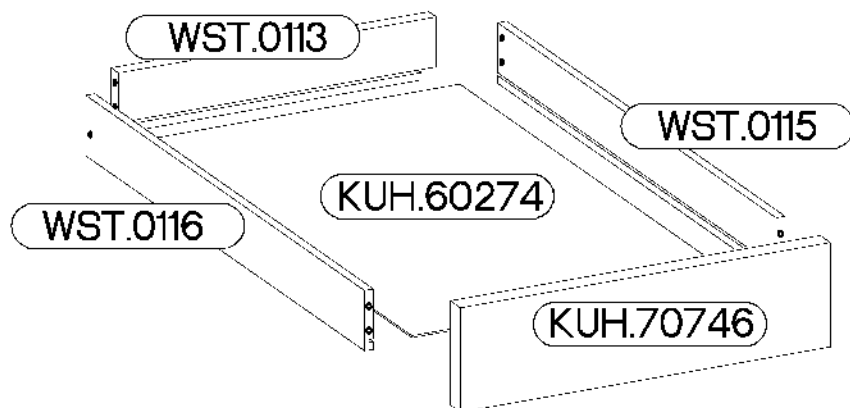
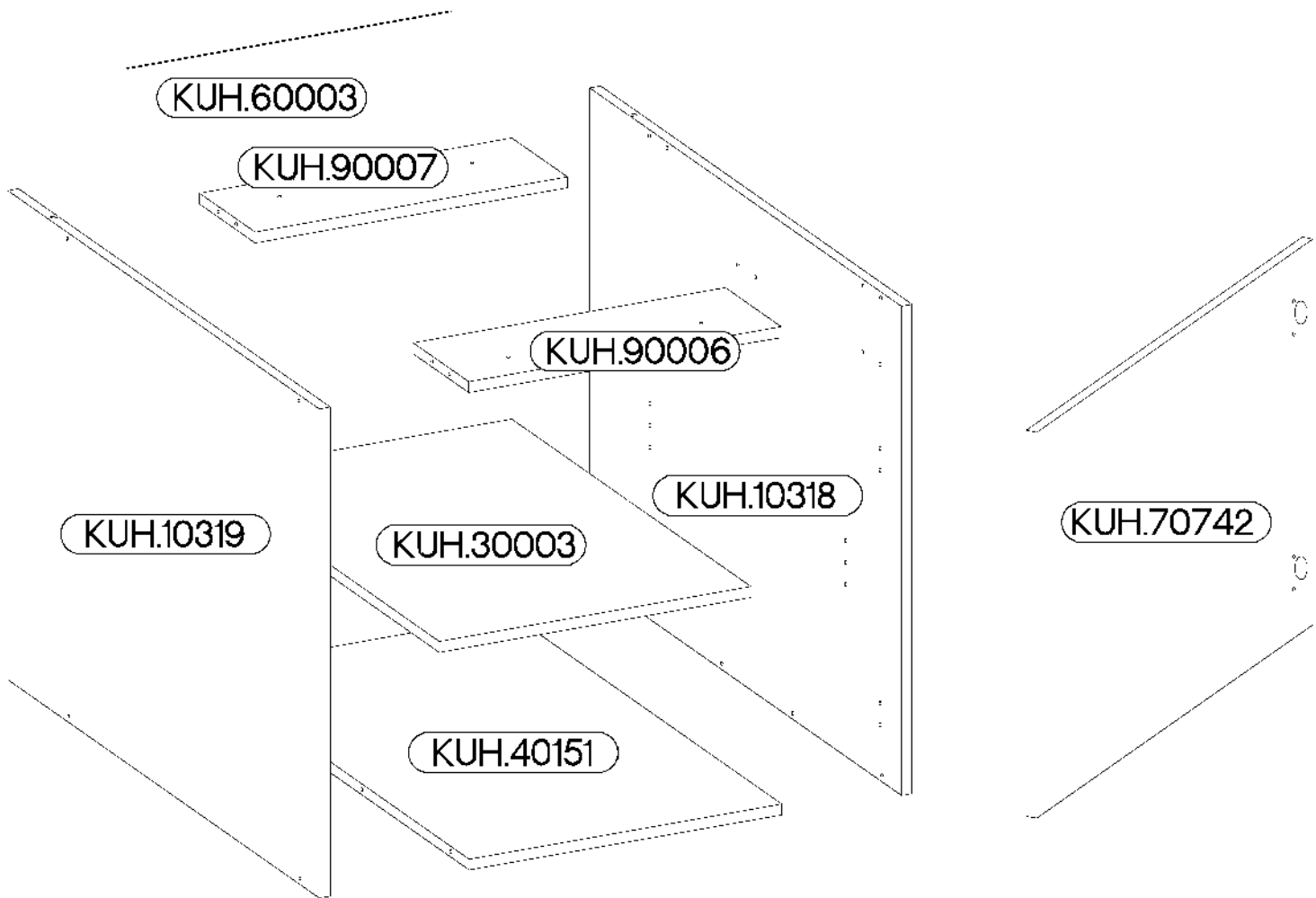
**respekta®**



 +8x30mm A	 6,4 x 50mm B	 +6x42mm B2	 +12/10mm C5	 L=20mm D2
12	8	2	2	2

 E1	 F15	 F16	 +35/0mm HG	 L=450mm I1	 +5/16mm J3	 L	
8	4	6	2	1	4	2	
 +6.3x13mm M2	 O	 O1	 +3.5x13mm P5	 +3.0x20mm P7	 +3.0x16mm P11	 +4.0x35mm R3	 L=495mm SL50
8	1	1	32	8-10	6	4	2

**ISM-KUH-01600**


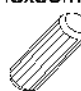



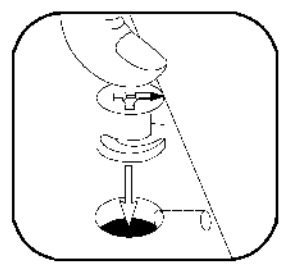
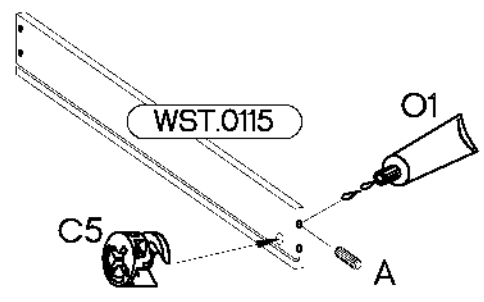
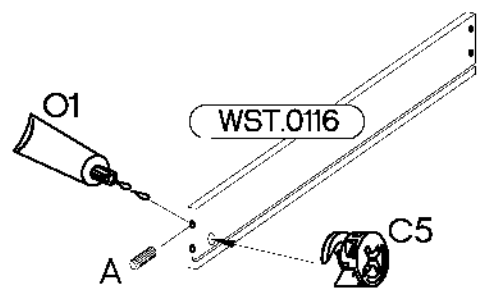
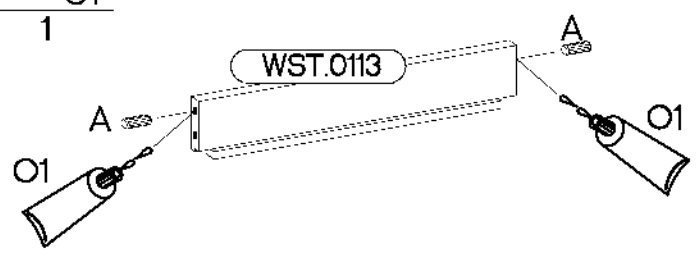
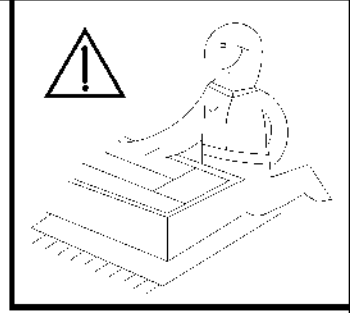
Colli	Spare Part	Dimension
Colli 1/6	KUH.10318	720x560x16
	KUH.10319	720x560x16
	KUH.30003	466x430x16
	KUH.40151	467x485x16
	KUH.60003	713x485x2,5
	KUH.60274	448x437x2,5
	KUH.70742	568x496x16
	KUH.70746	138x496x16
	KUH.90006	467x100x16
	KUH.90007	467x100x16
	WST.0113	427x80x12
	WST.0115	450x80x12
	WST.0116	450x80x12



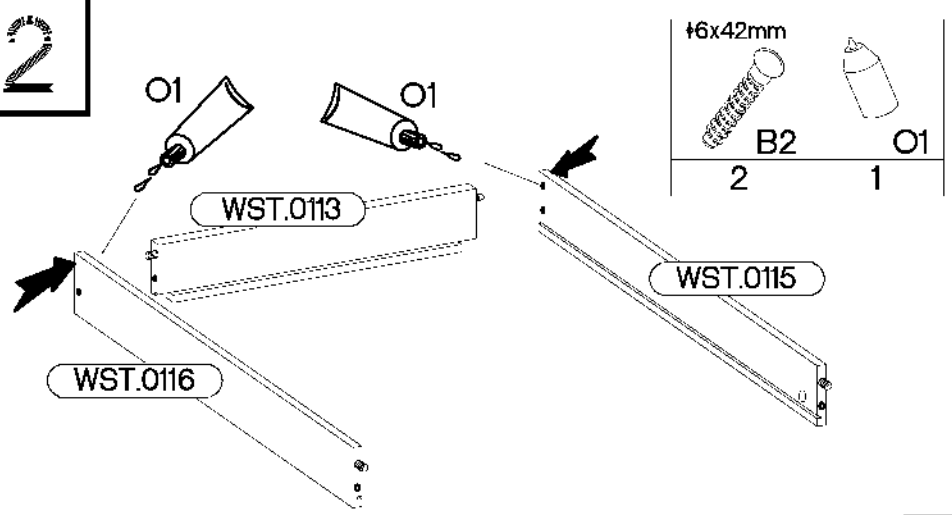
KUH.30003



KUH.40151

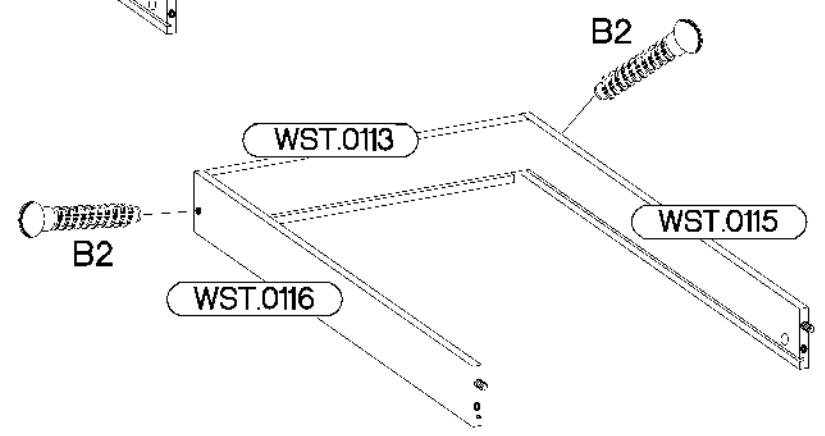
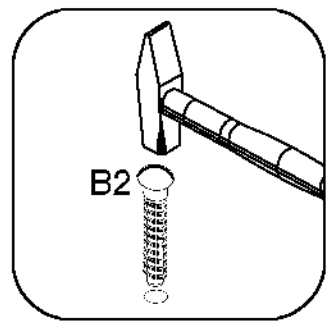
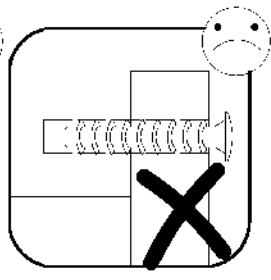
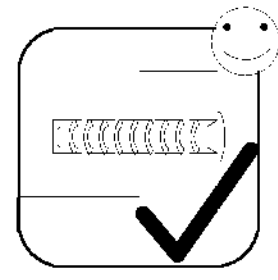
#12/10mm  C5 2	#8x30mm  A 4	 O1 1
---	---	---




2

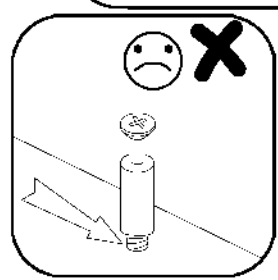
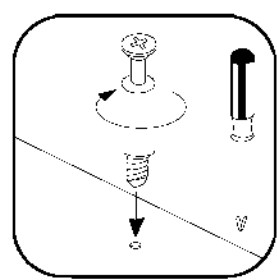
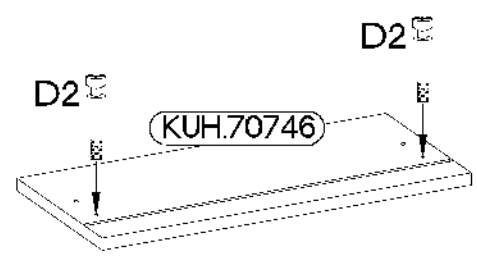


#6x42mm  B2 2	 O1 1
---	--

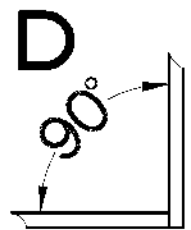
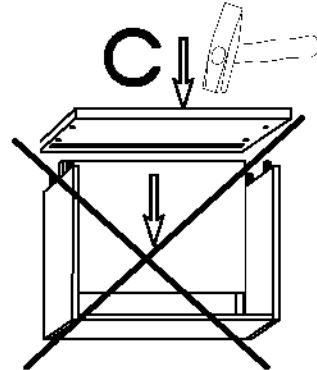
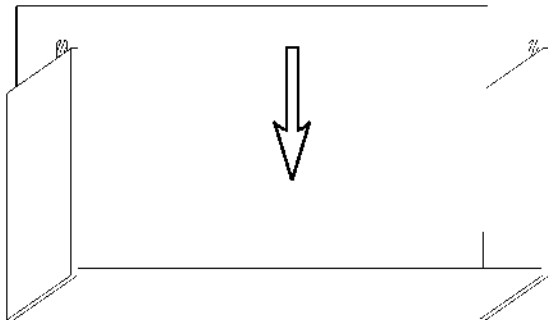
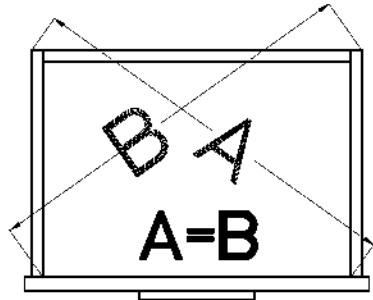
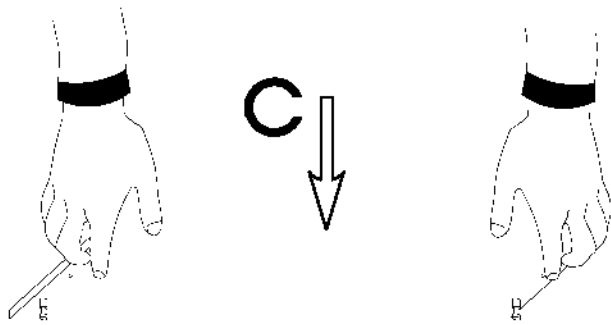
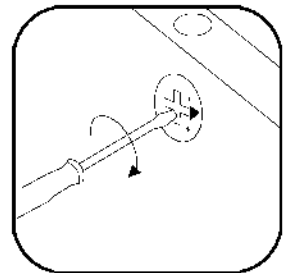
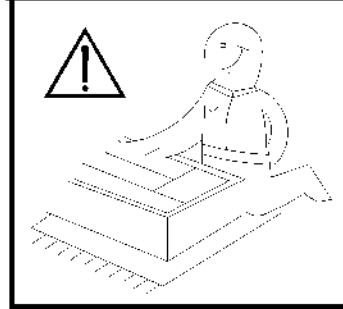
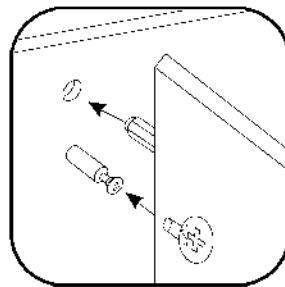
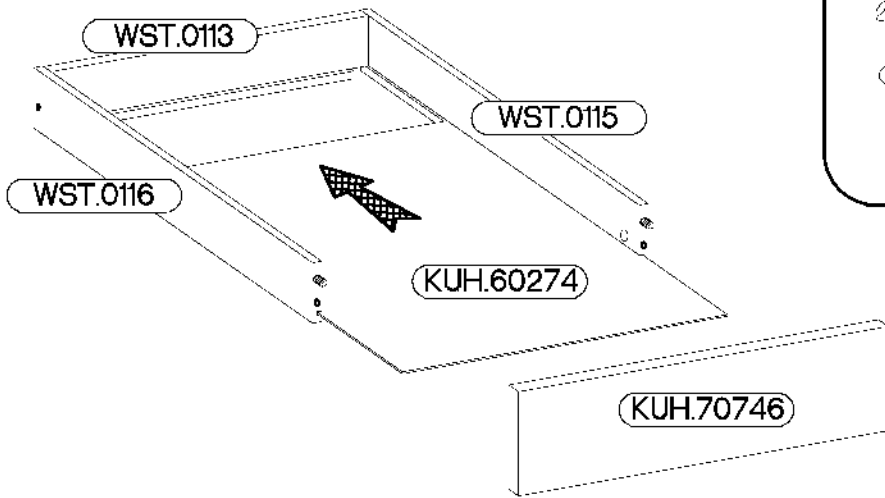


3

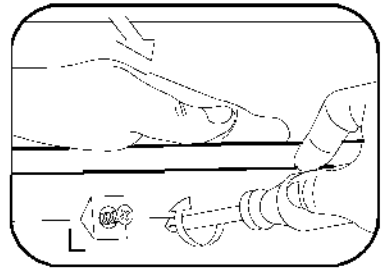
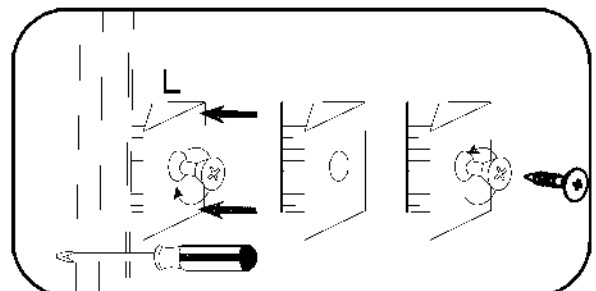
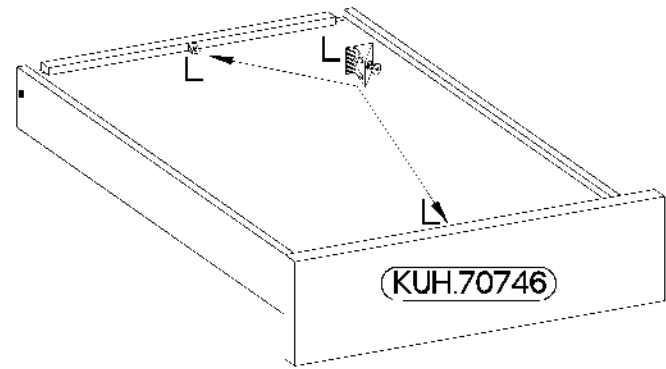
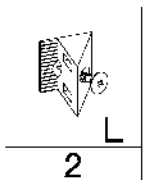
L=20mm  D2 2
--



4



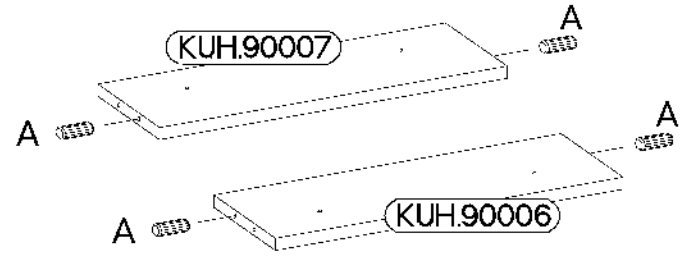
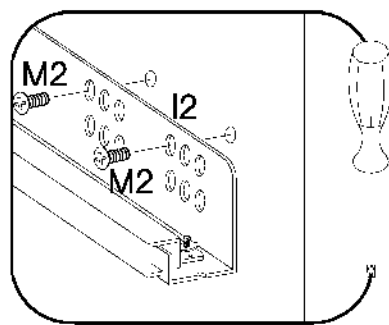
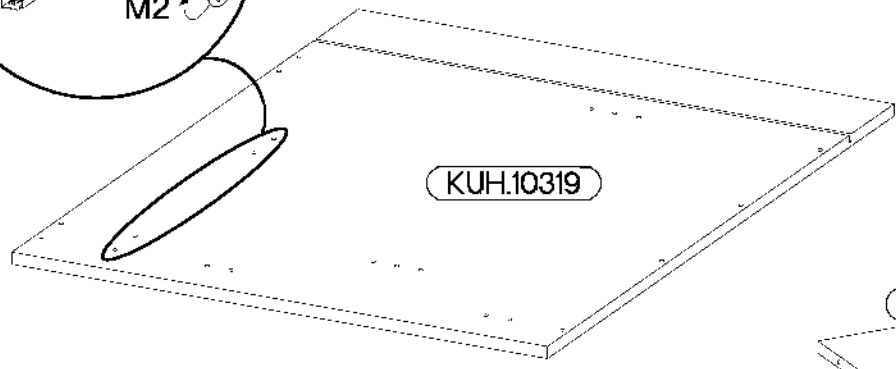
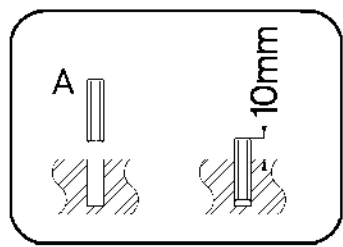
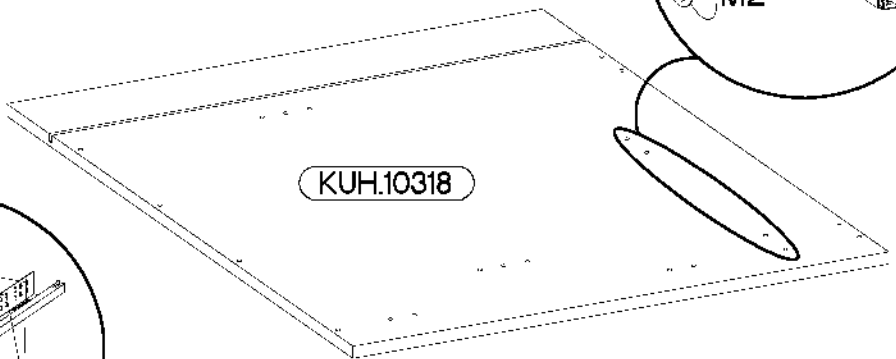
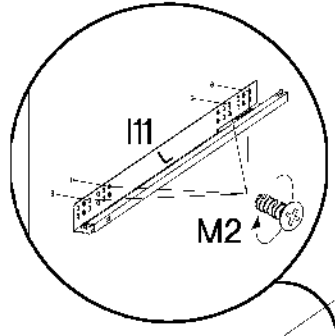
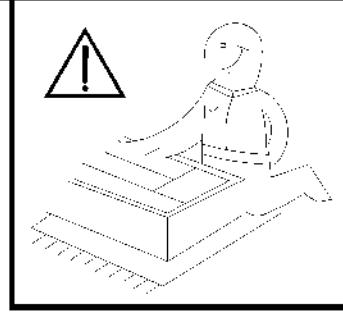
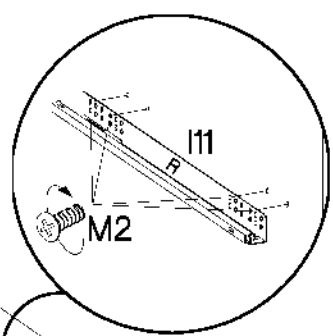
5





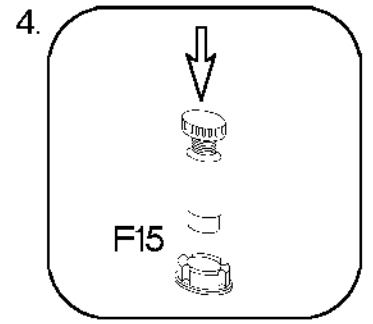
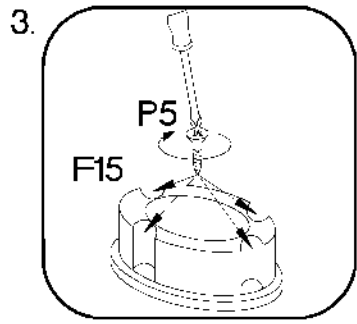
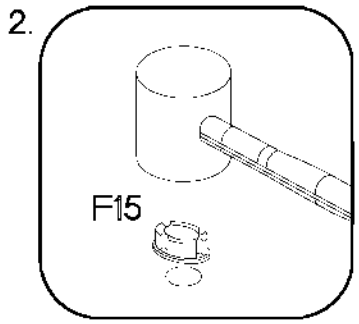
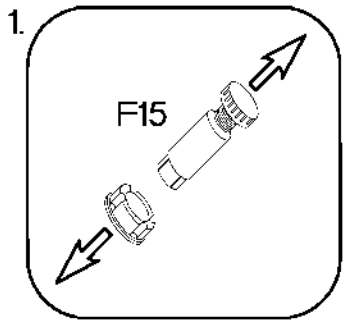
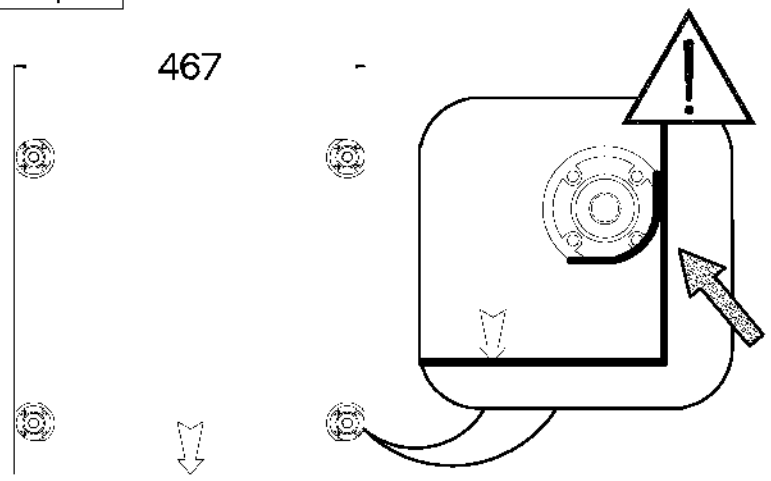
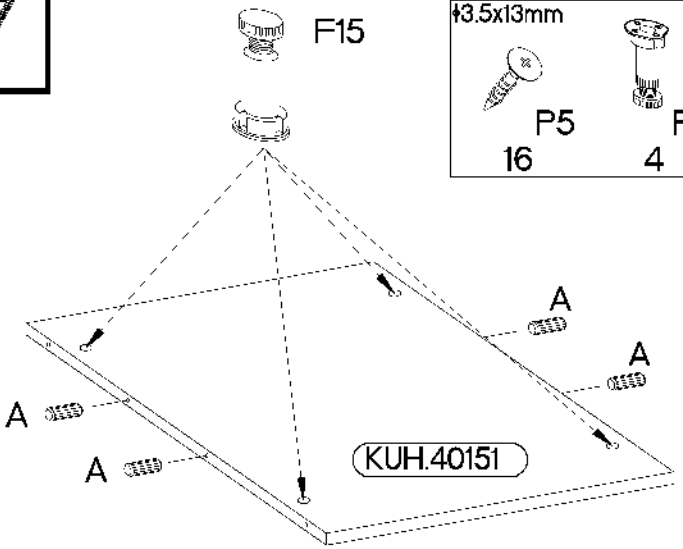
6

- 4  $\varnothing 8 \times 30 \text{mm}$
- 1 L=450mm
- 1 I11
- 8  $\varnothing 6.3 \times 13 \text{mm}$  M2



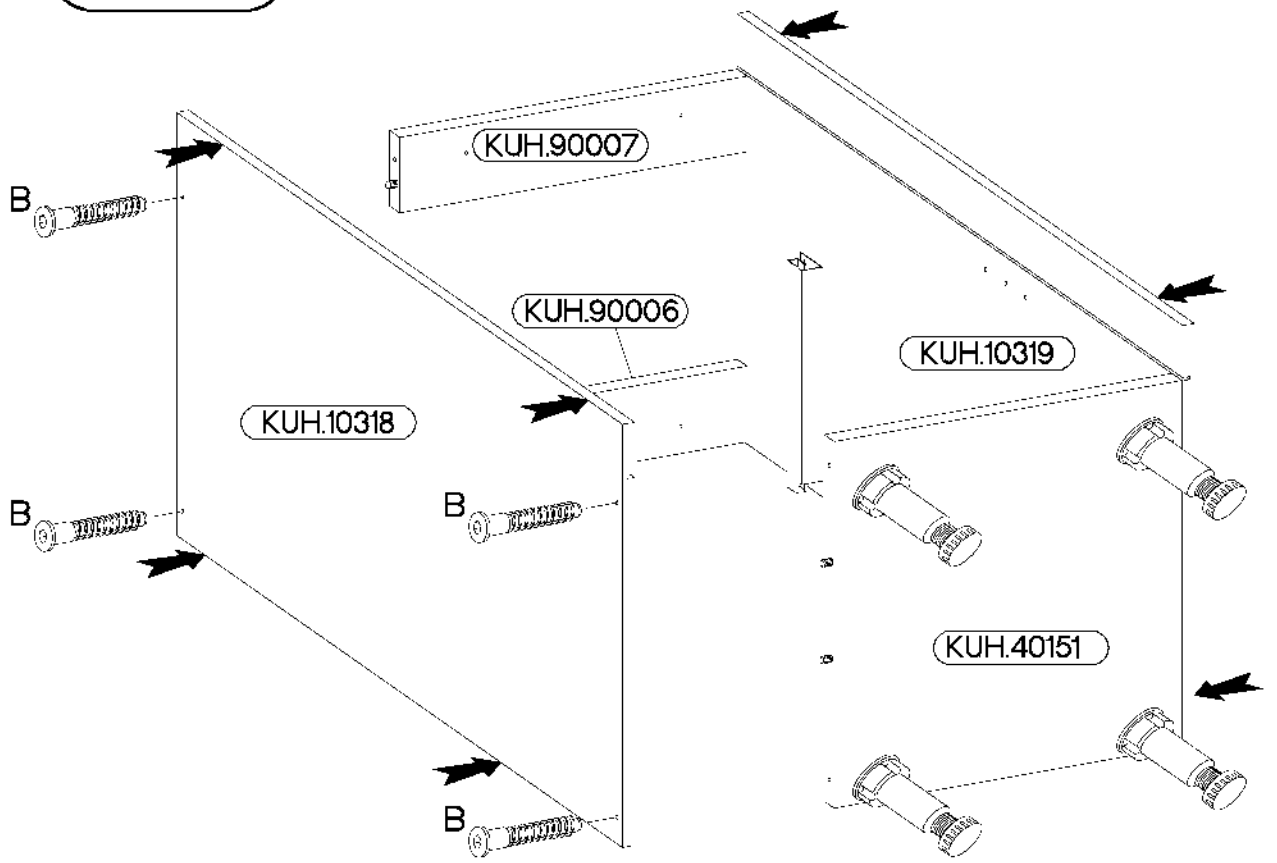
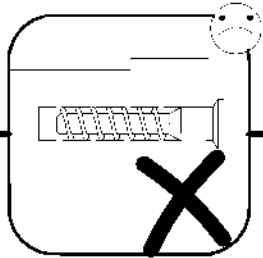
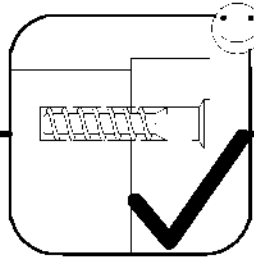
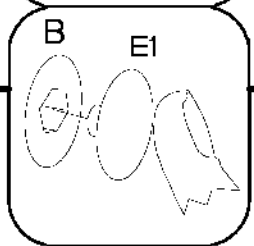
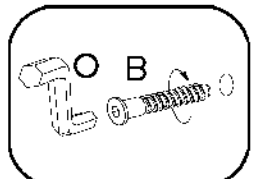
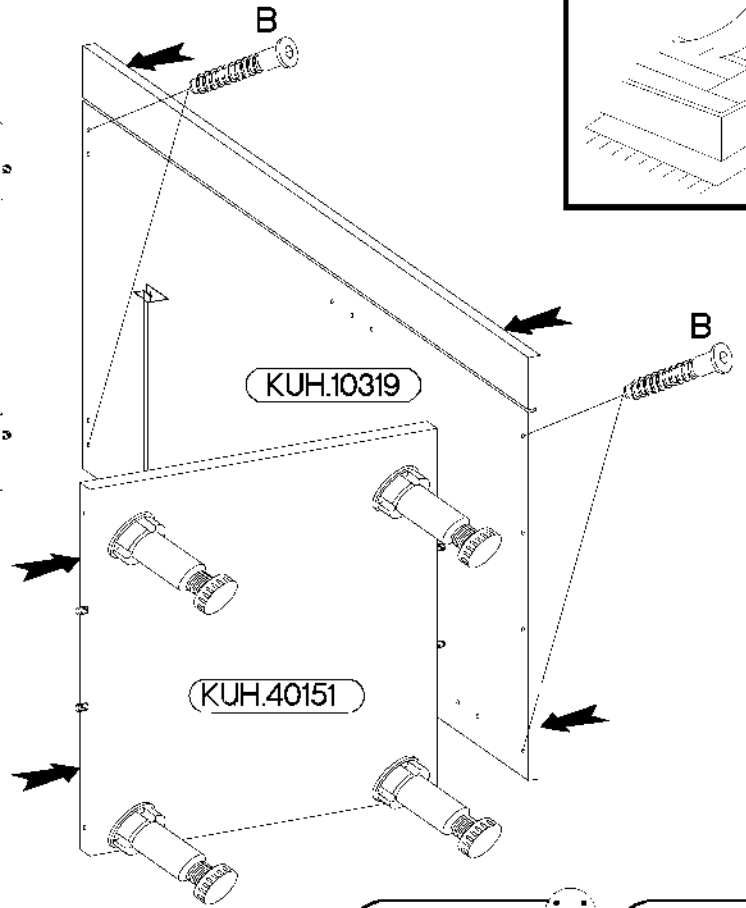
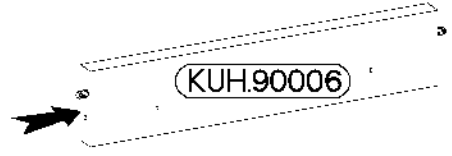
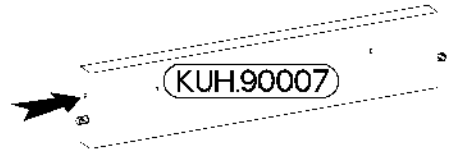
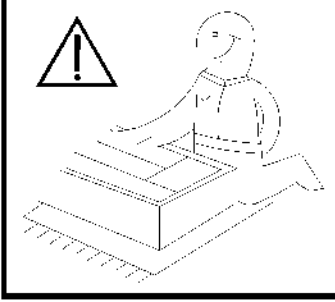
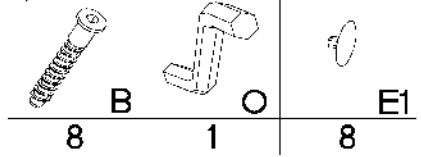
7

- 16  $\varnothing 3.5 \times 13 \text{mm}$  P5
- 4 F15
- 4  $\varnothing 8 \times 30 \text{mm}$  A





6,4 x 50mm

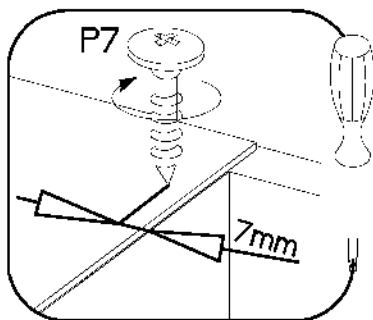
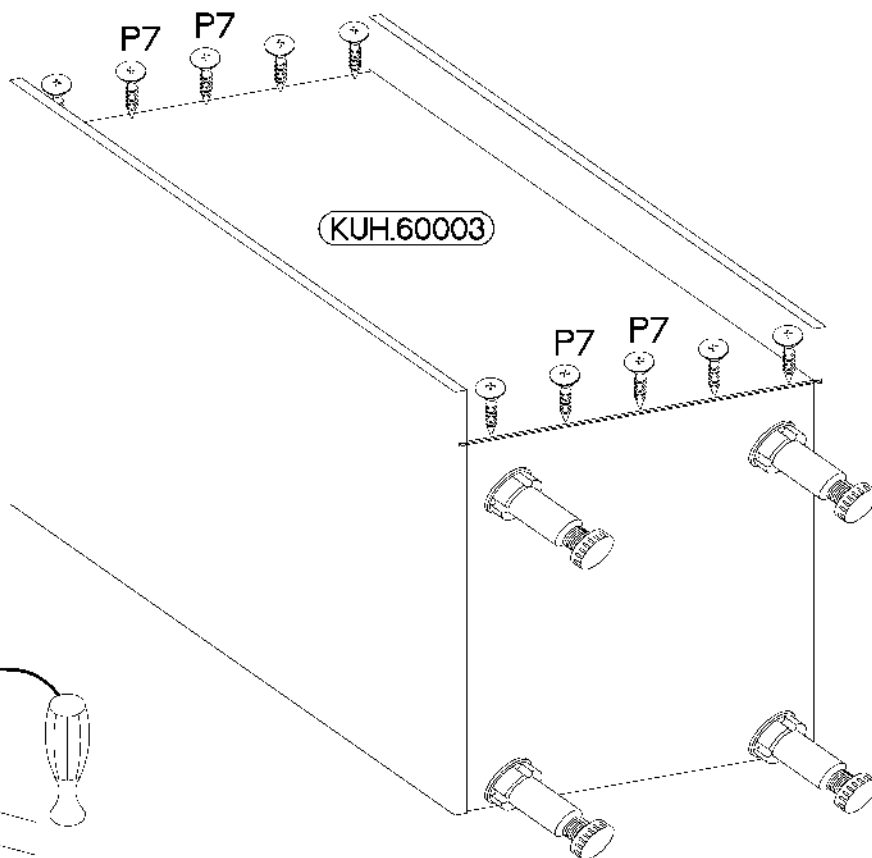
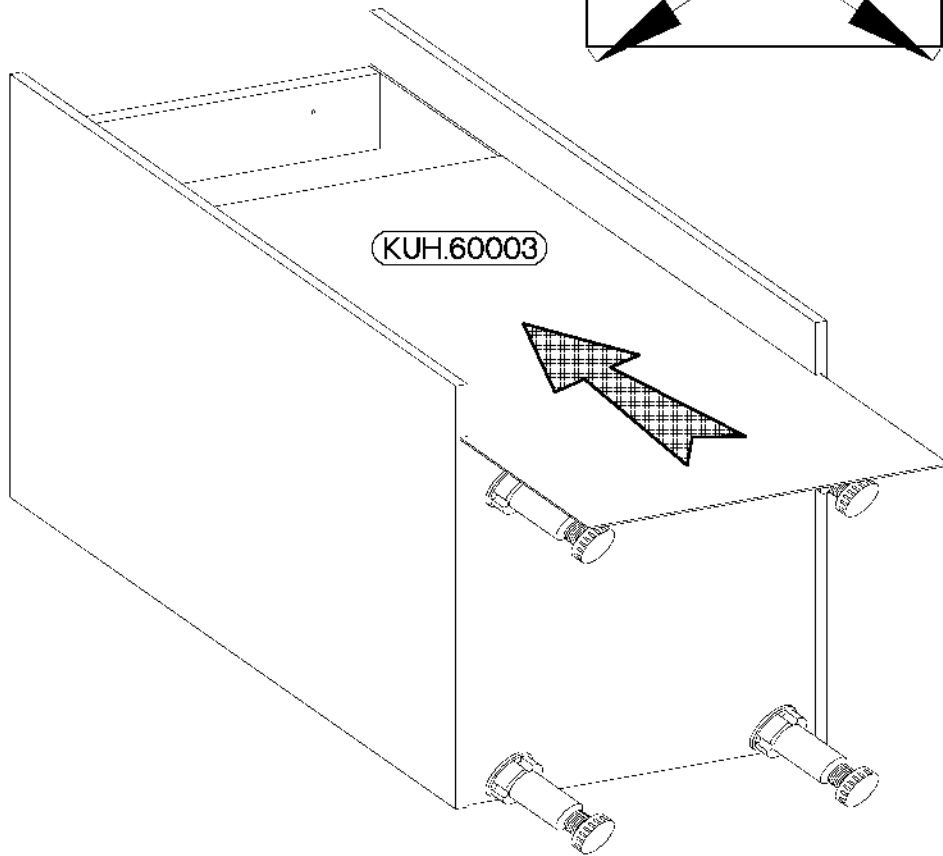
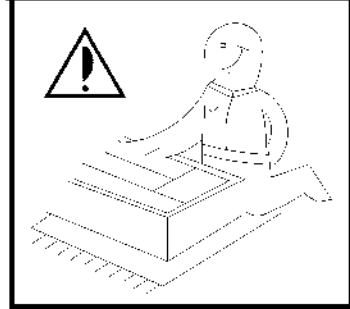
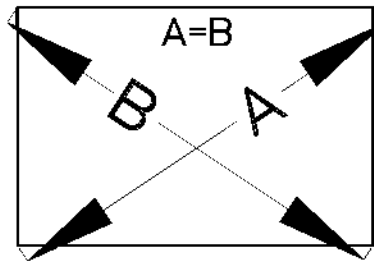


3.0x20mm



P7

8-10



1

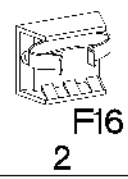
4.0x35mm 3.5x13mm



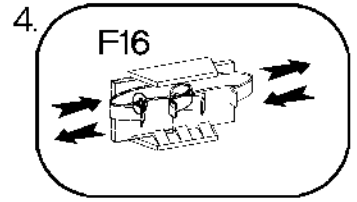
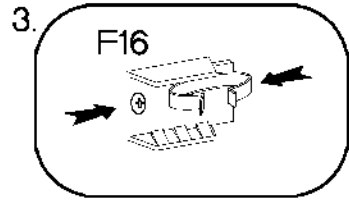
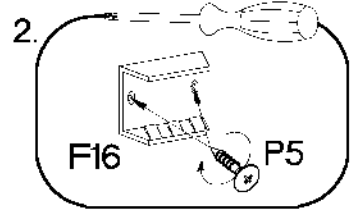
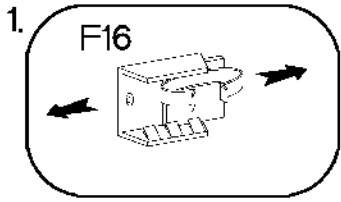
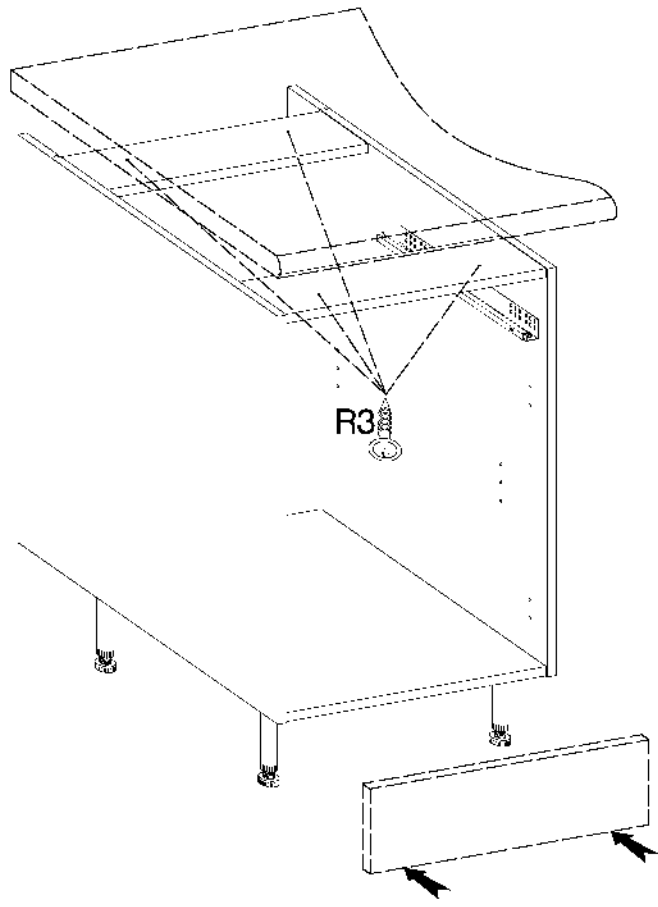
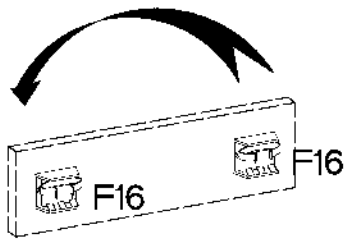
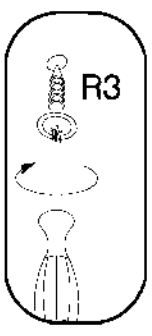
R3  
4



P5  
4



F16  
2

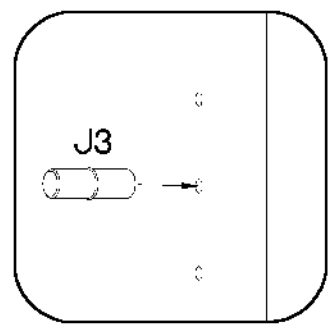
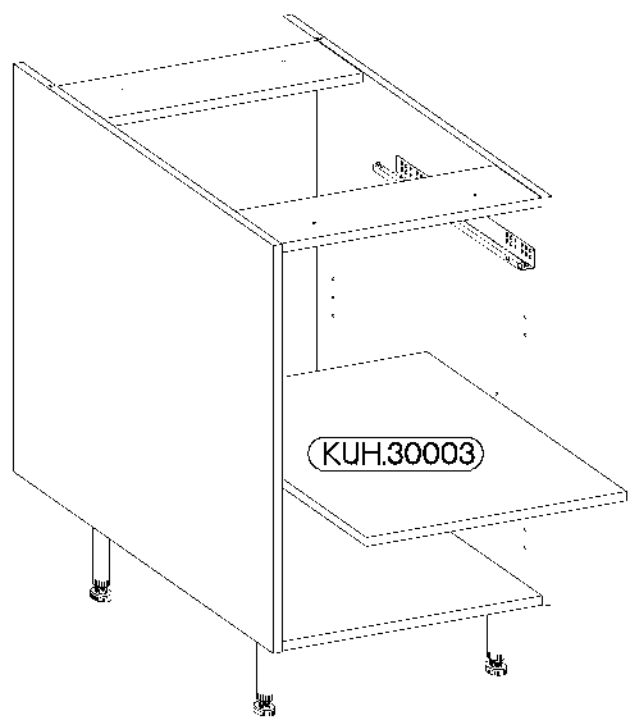


2



5/16mm

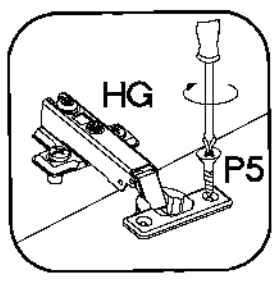
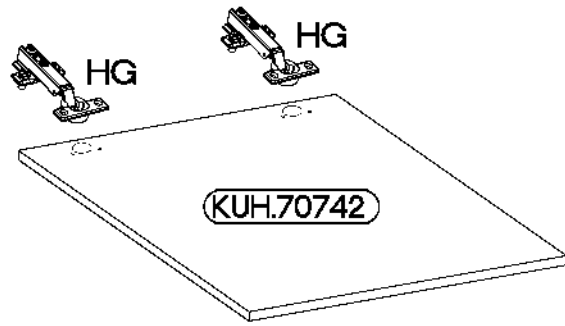


J3  
4


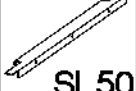


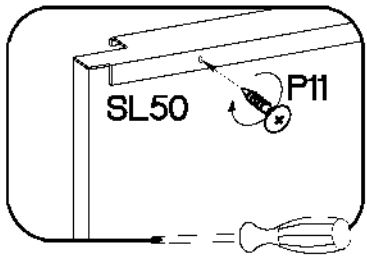
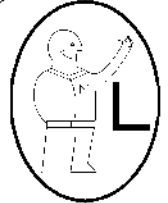
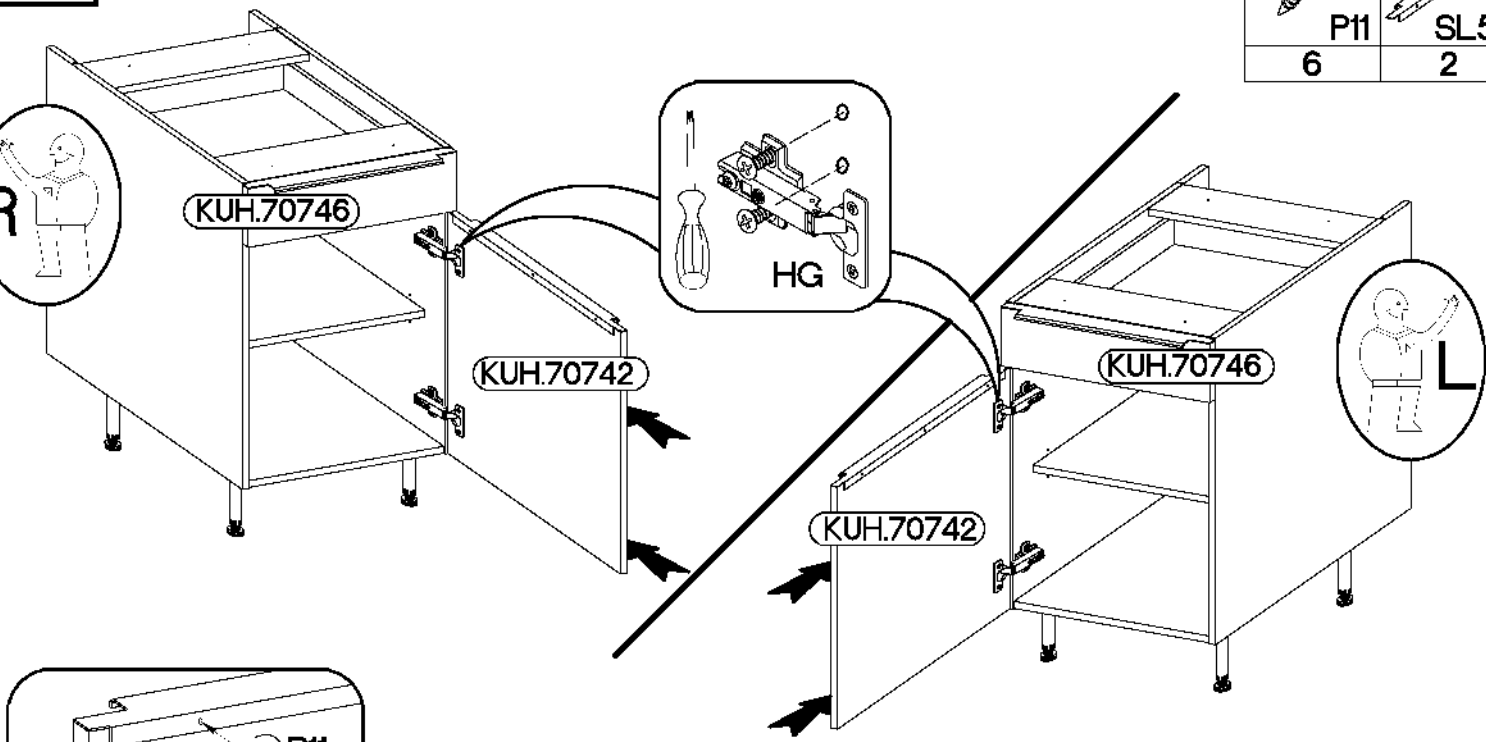
# 13

∅35/0mm	∅3.5x13mm
	
HG	P5
2	4

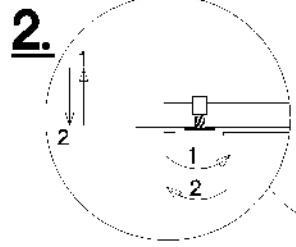
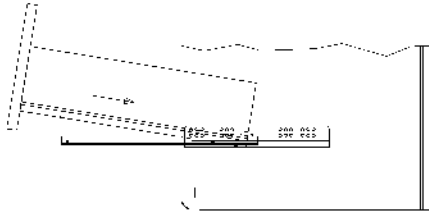


# 14

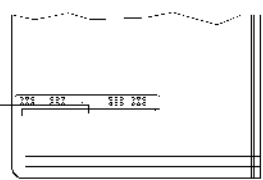
∅3.0x16mm	L=495mm
	
P11	SL50
6	2



**1.**

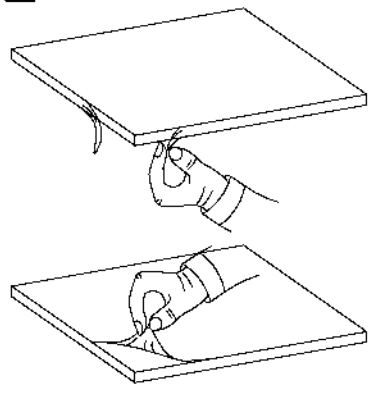


**2.**



## VARIANT HIGH GLOSS

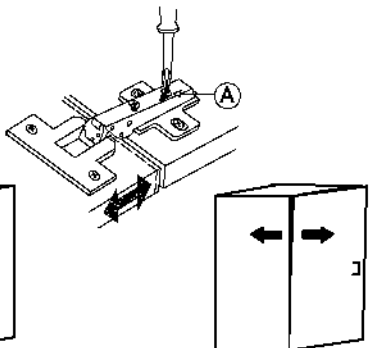
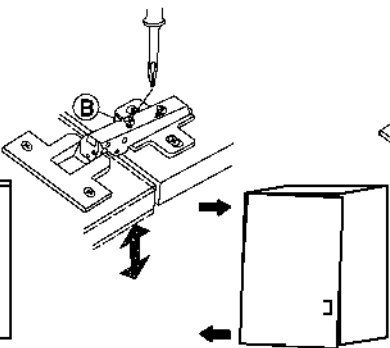
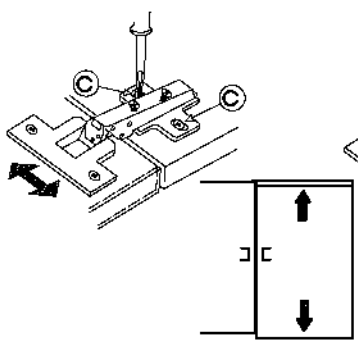
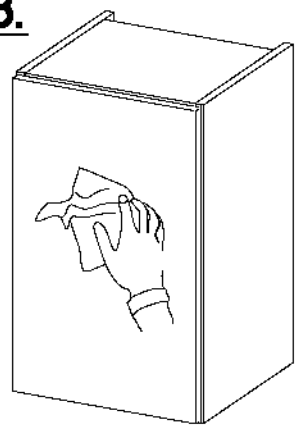
**1.**

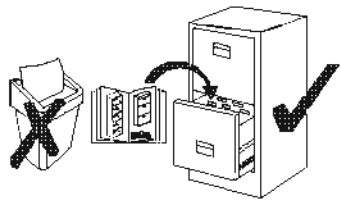
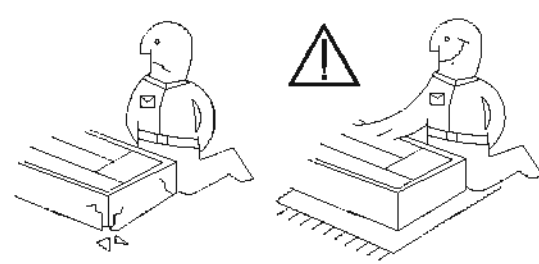
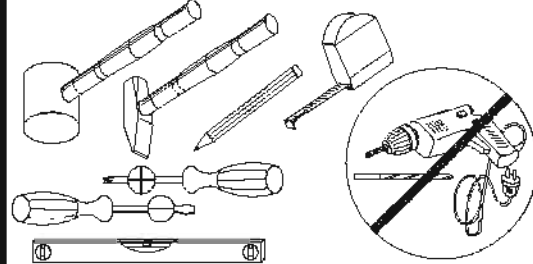
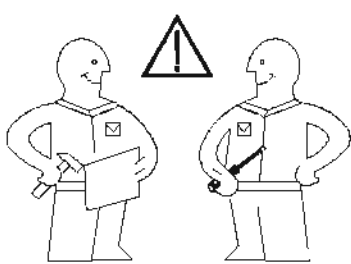


**2.**



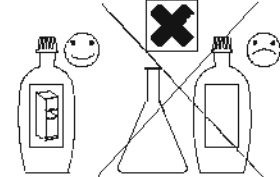
**3.**



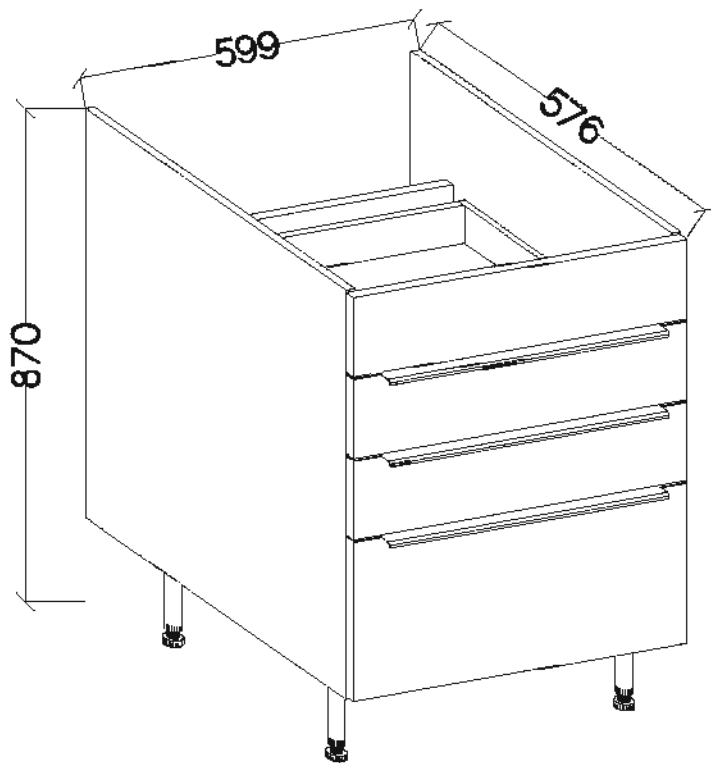


SAFADO / MARLEEN

84-176-...  
84-17H-...

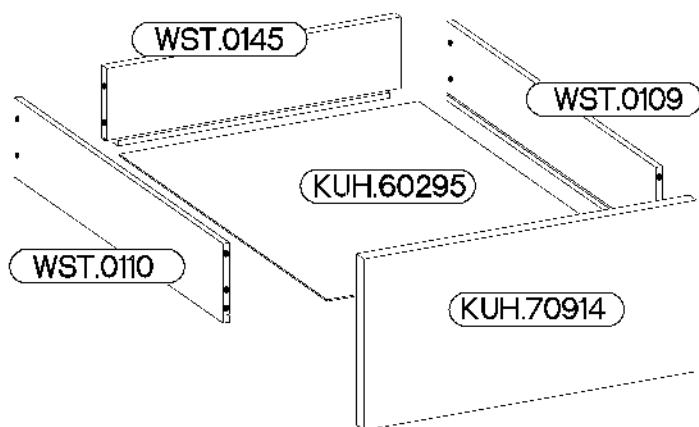
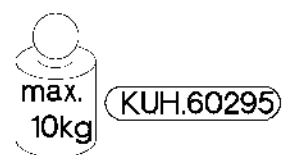
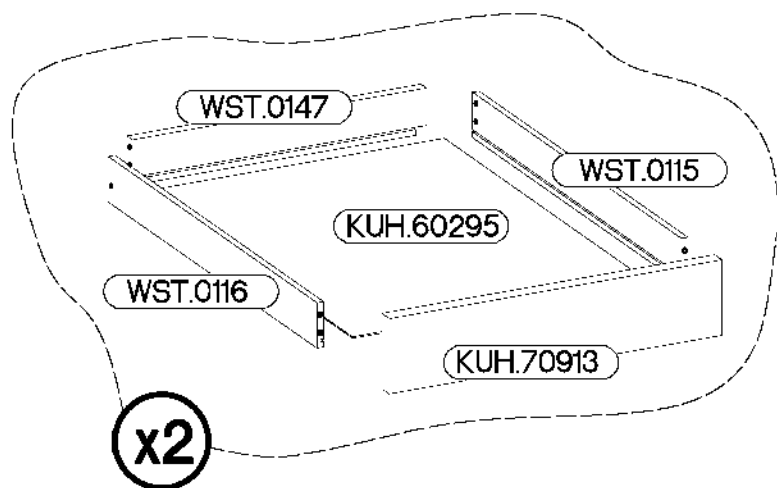
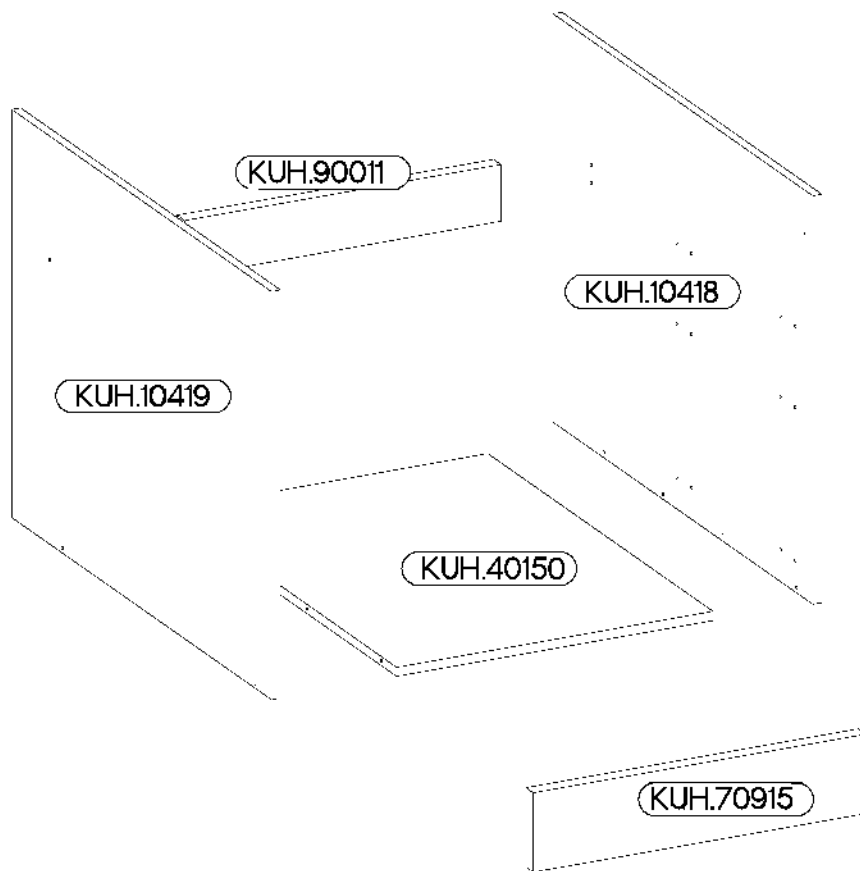


**RESPEKTA®**




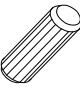
 +8x30mm A 18	 6,4 x 50mm B 6	 +6x42mm B2 8	 +12/10mm C5 6	 L=20mm D2 6	 E1 6	 F15 4
 F16 2	 L=450mm L R 3	 L=450 mm K34 3		 L 12	 +6.3x13mm M2 24	
 O 1	 +4.0x16mm P1 4	 +3.5x13mm P5 30	 +3.0x16mm P11 12	 L=595mm SL60 3	 T3 2	 T10 2

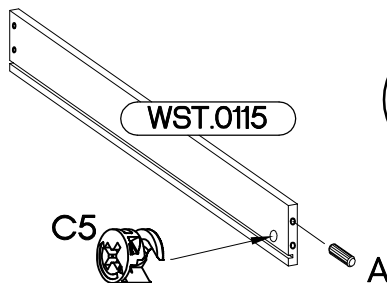
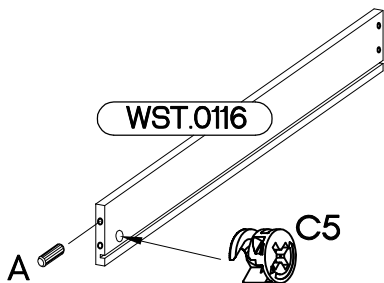
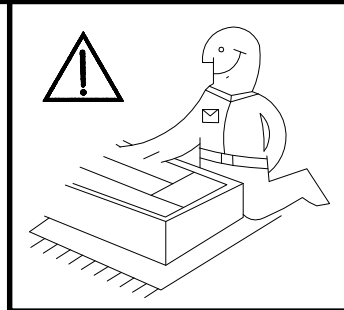
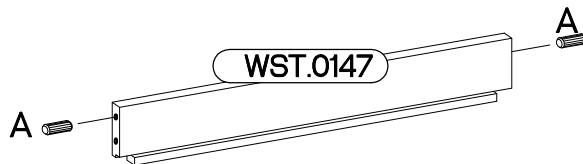
**ISM-KUH-01593**



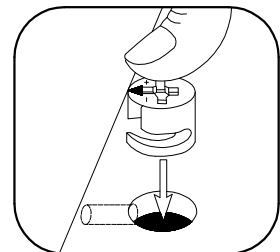
Colli	Spare Part	Dimension
Colli 2/6	KUH.10418	720x560x16
	KUH.10419	720x560x16
	KUH.40150	567x485x16
	KUH.60295 x3	537x448x2,5
	KUH.70913 x2	138x596x16
	KUH.70914	281x596x16
	KUH.70915	140x596x16
	WST.0109	450x140x12
	WST.0110	450x140x12
	WST.0115 x2	450x80x12
	WST.0116 x2	450x80x12
	WST.0145	527x140x12
	WST.0147 x2	527x80x12

1

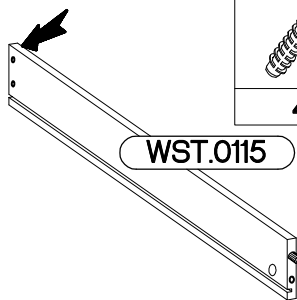
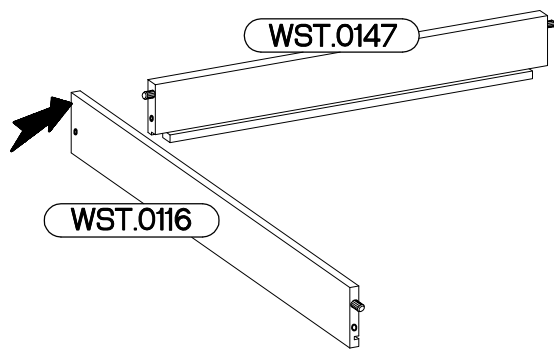
±12/10mm  C5 4	±8x30mm  A 8
---	---




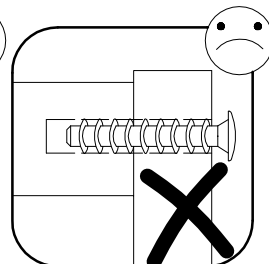
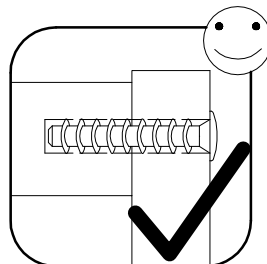
x2



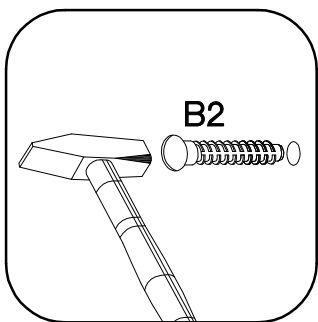
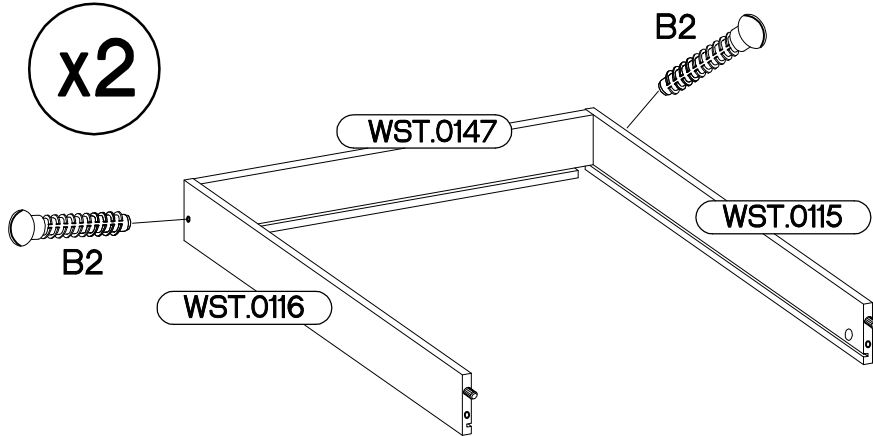
2




±6x42mm  B2 4
---

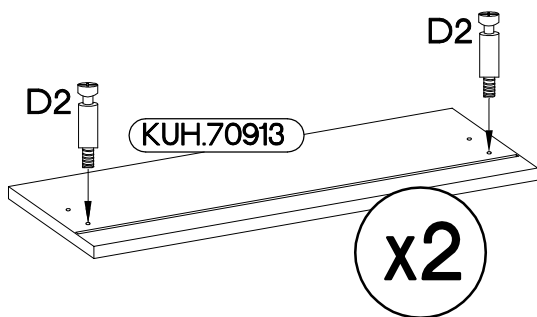


x2

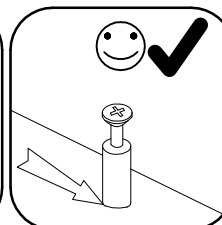
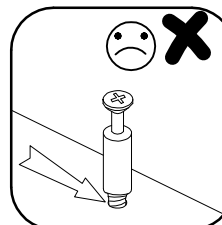
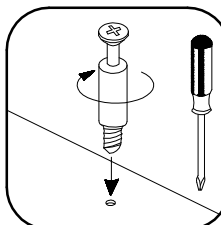
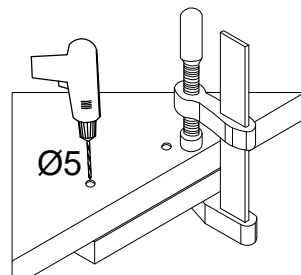
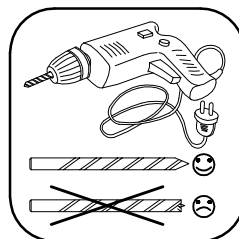


3

L=20mm  D2 4
--



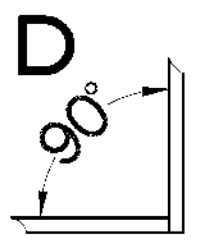
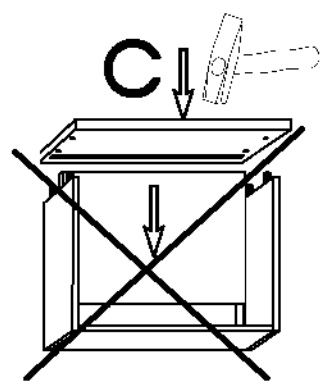
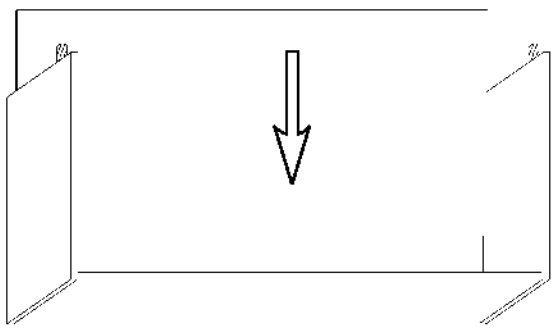
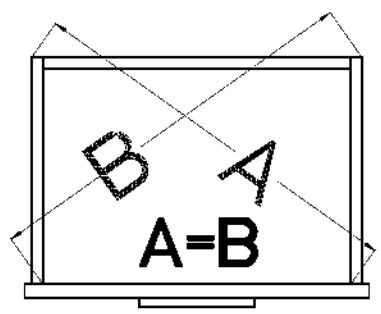
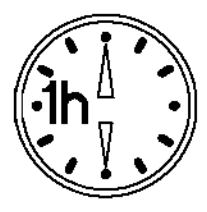
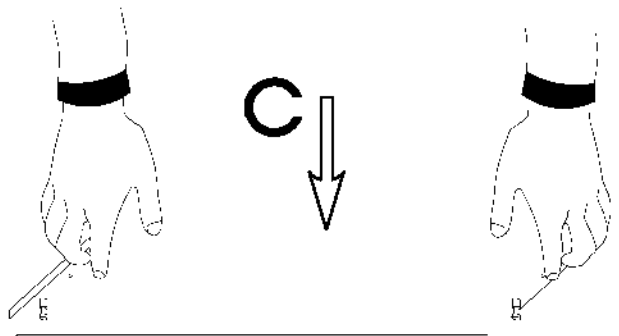
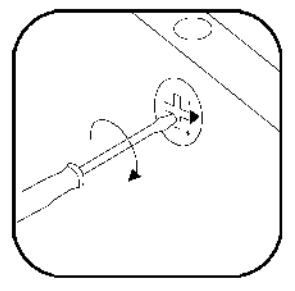
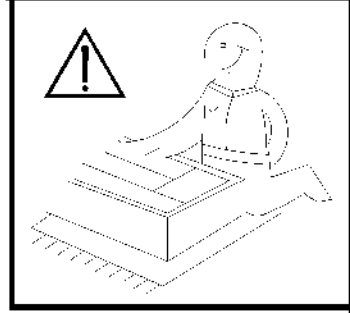
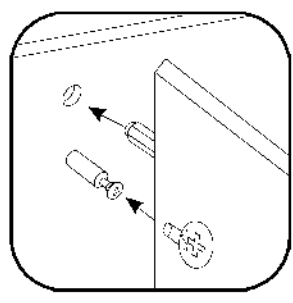
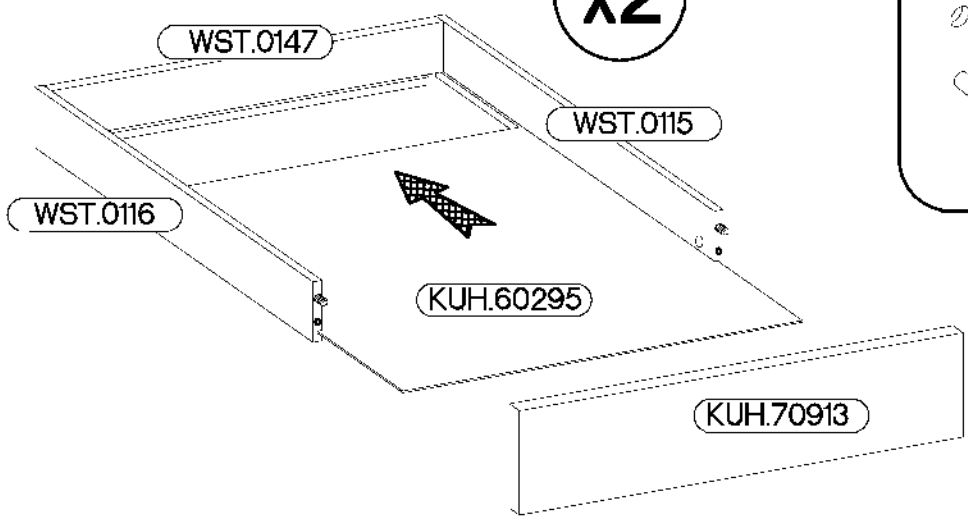
x2





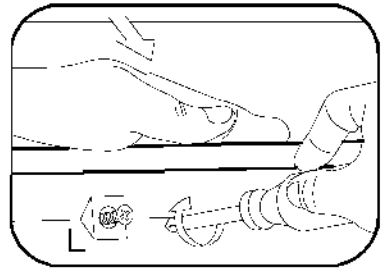
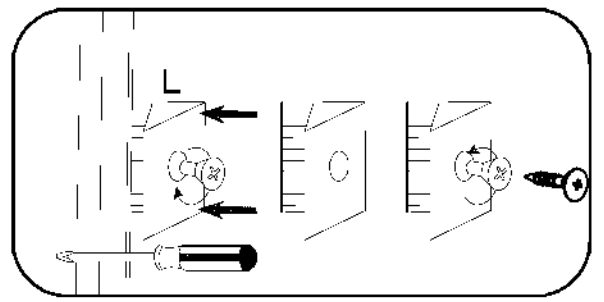
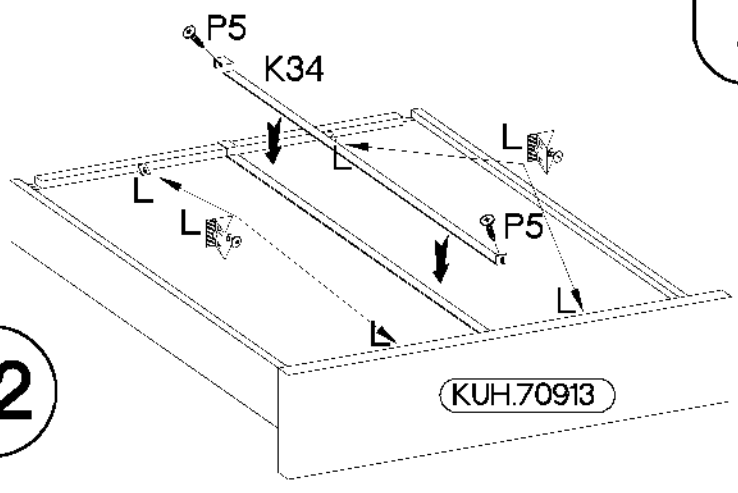
4

x2


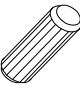


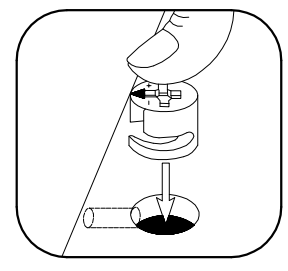
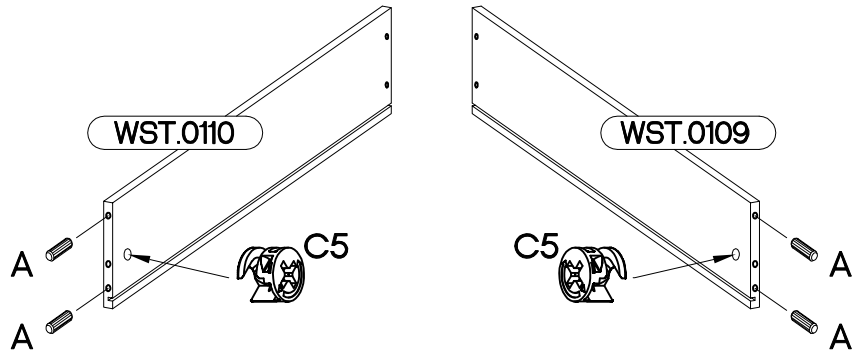
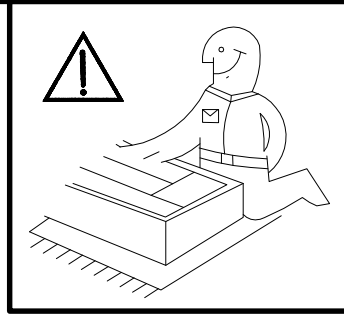
5

	L=450 mm		±3.5x13mm
L		K34	P5
8	2	4	




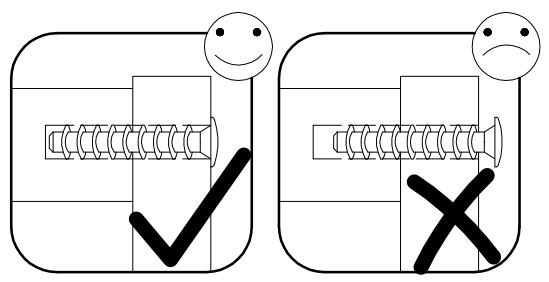
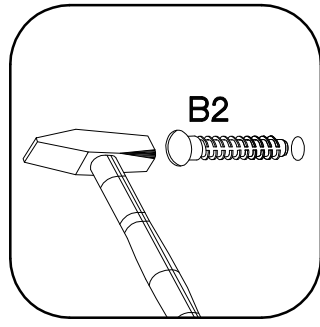
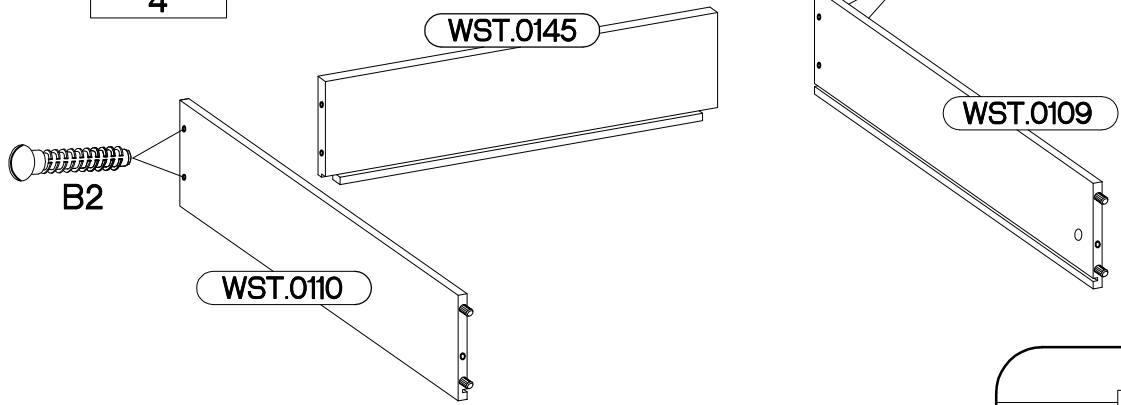
6

<p>†12/10mm</p>  <p>C5</p> <p>2</p>	<p>†8x30mm</p>  <p>A</p> <p>4</p>
---	---




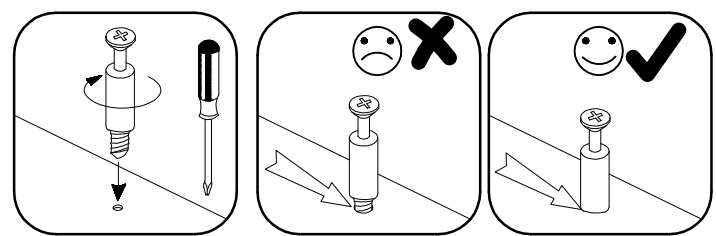
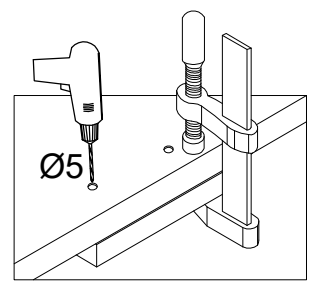
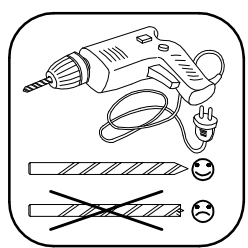
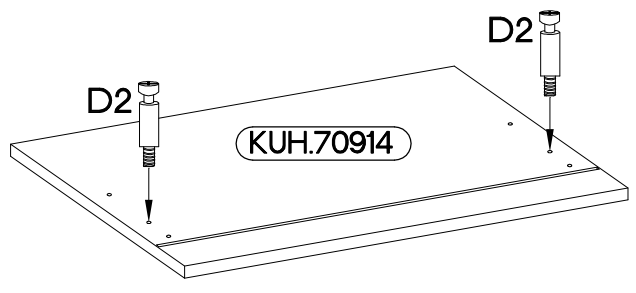
7

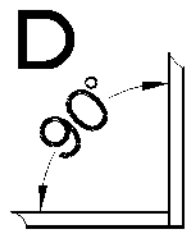
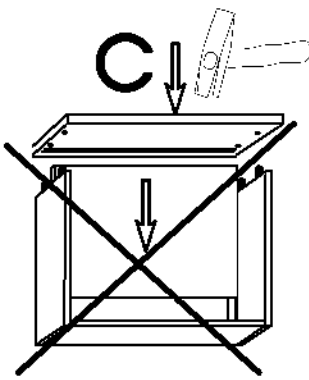
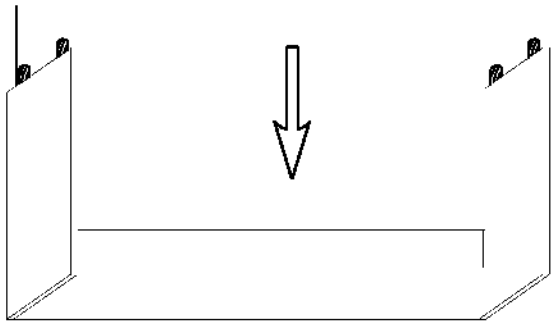
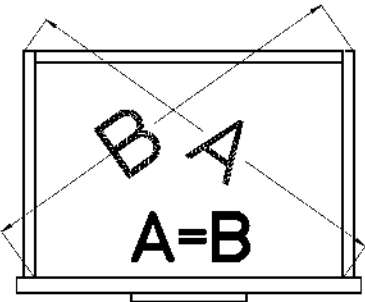
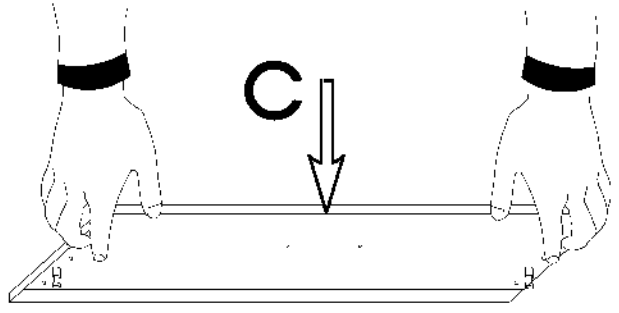
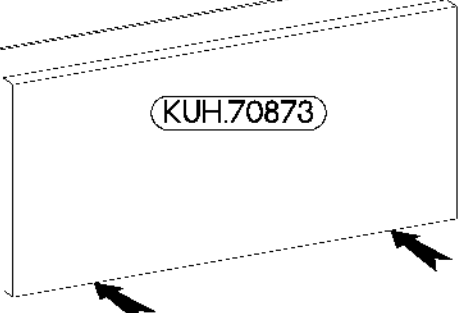
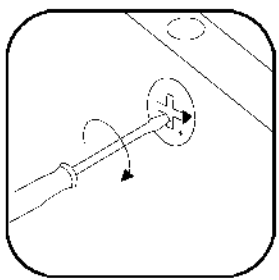
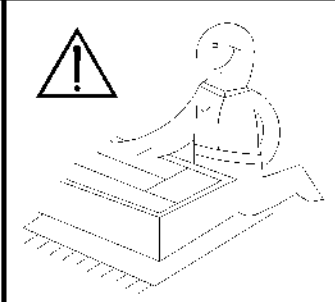
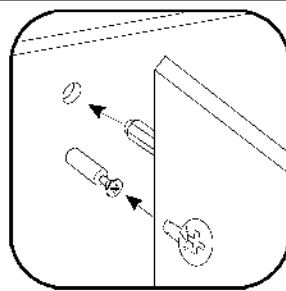
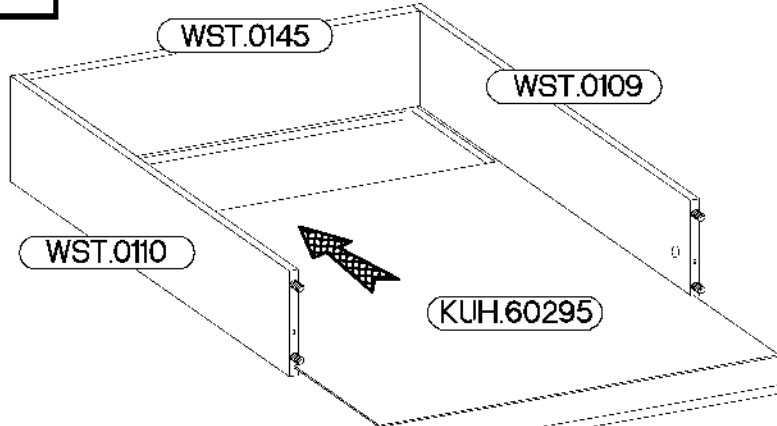
<p>†6x42mm</p>  <p>B2</p> <p>4</p>
---



8

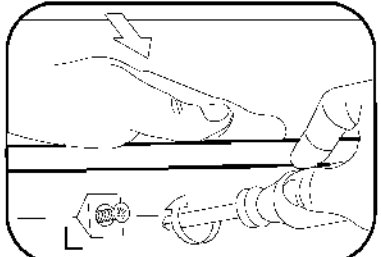
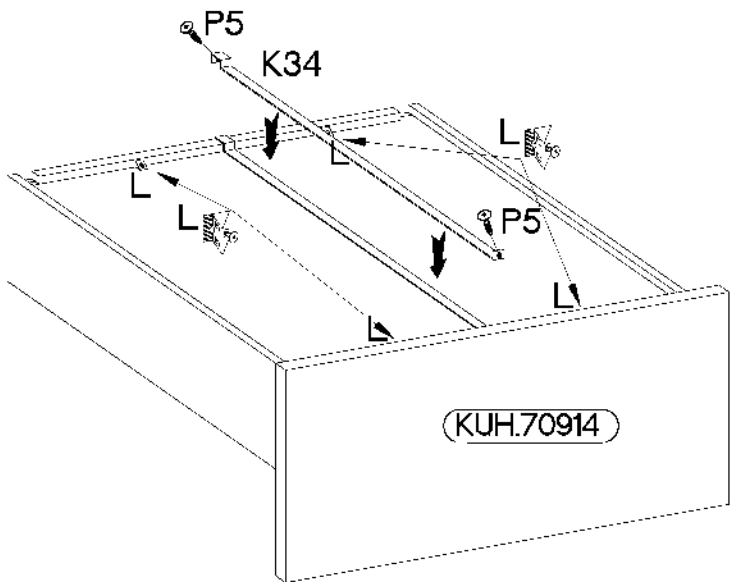
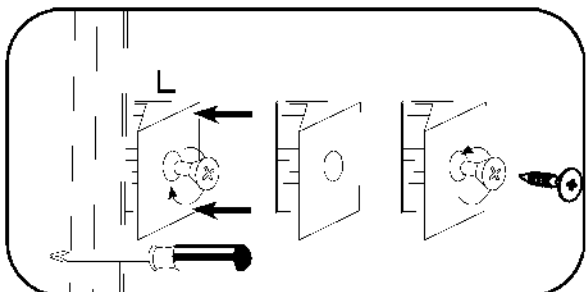
<p>L=20mm</p>  <p>D2</p> <p>2</p>
--





10

	L=450 mm		$\pm 3.5 \times 13 \text{ mm}$	
L		K34		P5
4	1			2



KUH.70914

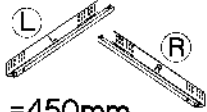


+8x30mm



2

L



A L=450mm

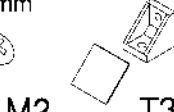
3

I11

+6.3x13mm



24



T3

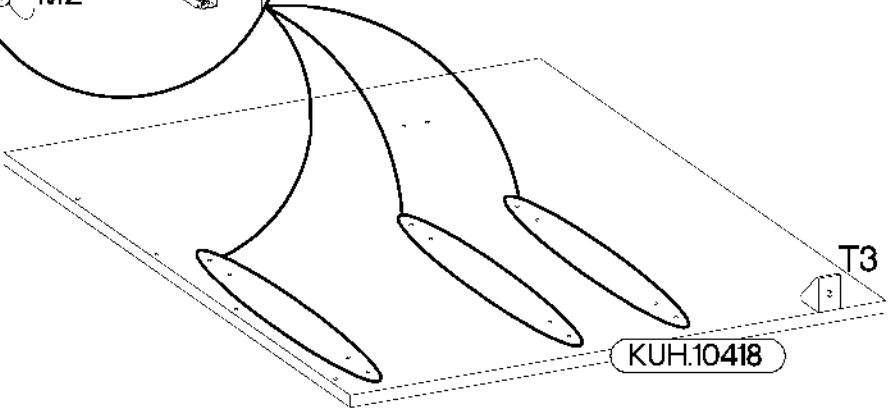
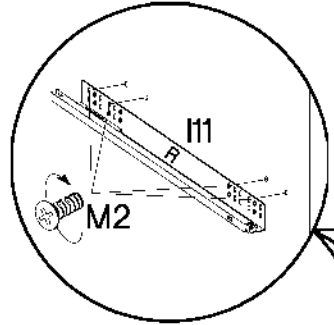
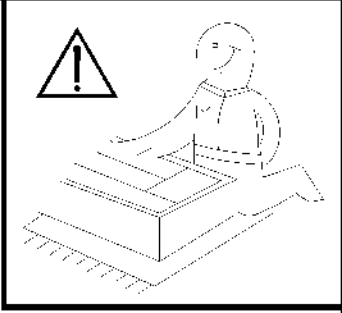
2

+4.0x16mm

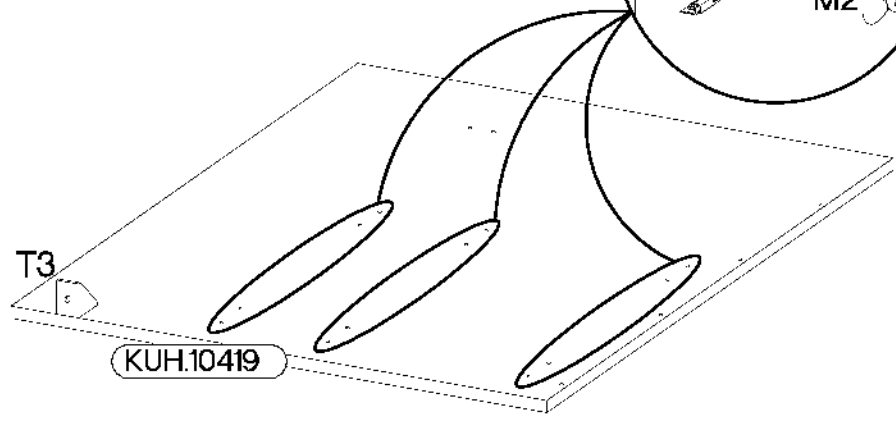
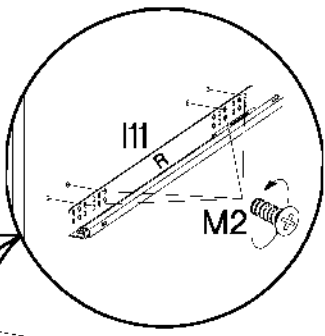
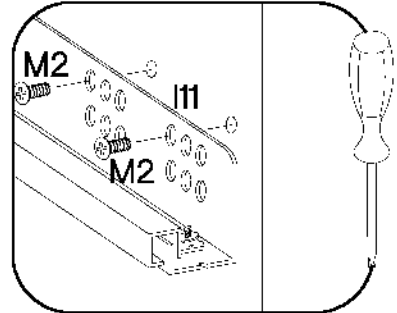


P1

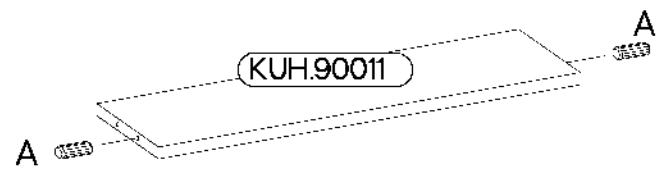
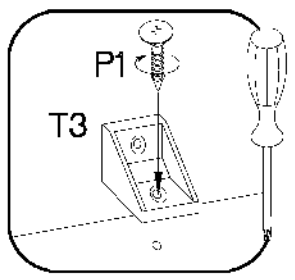
2



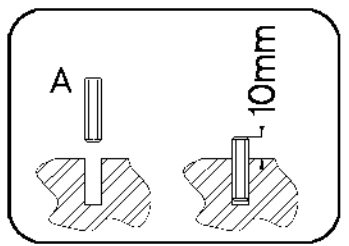
KUH.10418



KUH.10419



KUH.90011



A

L=10mm

2

±3.5x13mm



P5

16



F15

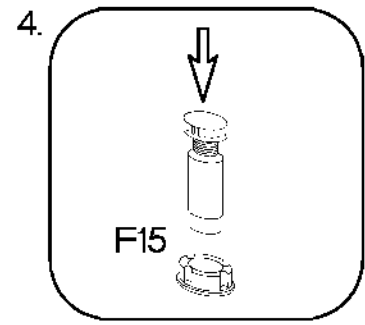
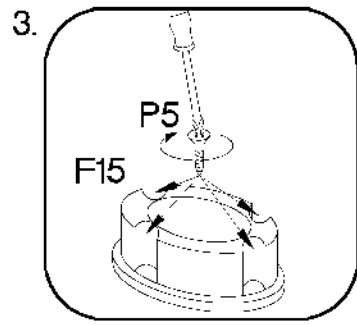
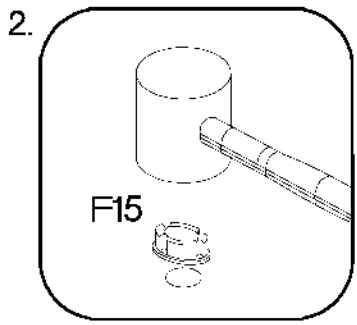
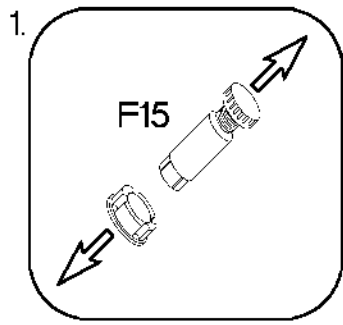
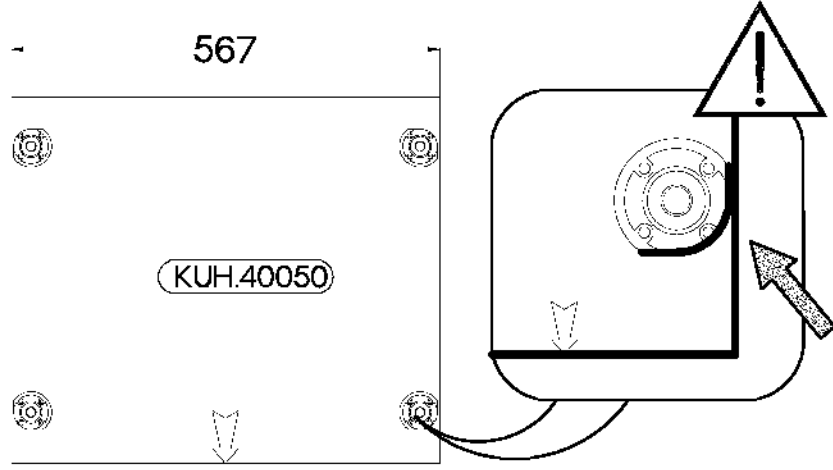
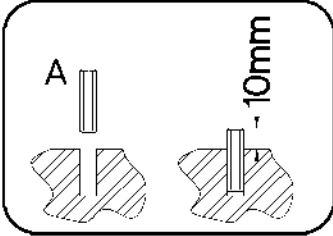
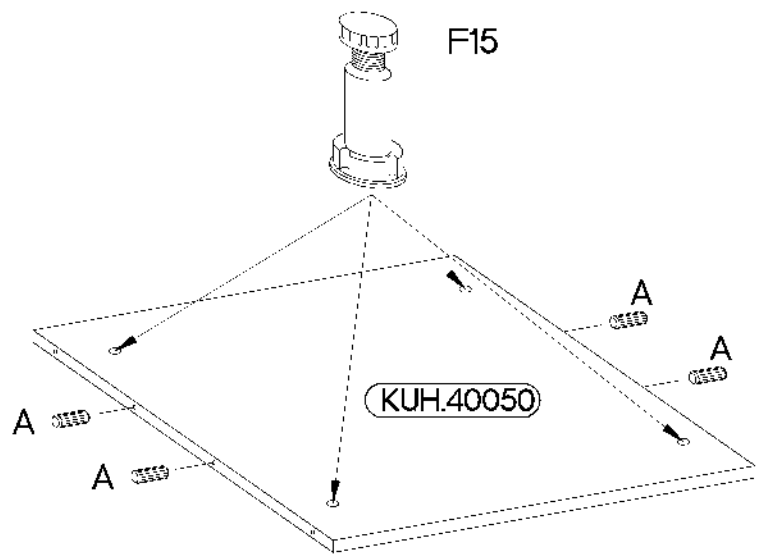
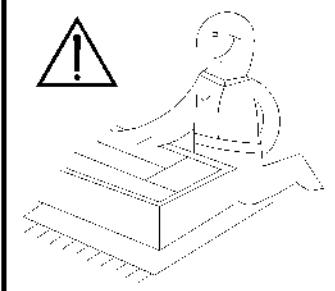
4

+8x30mm



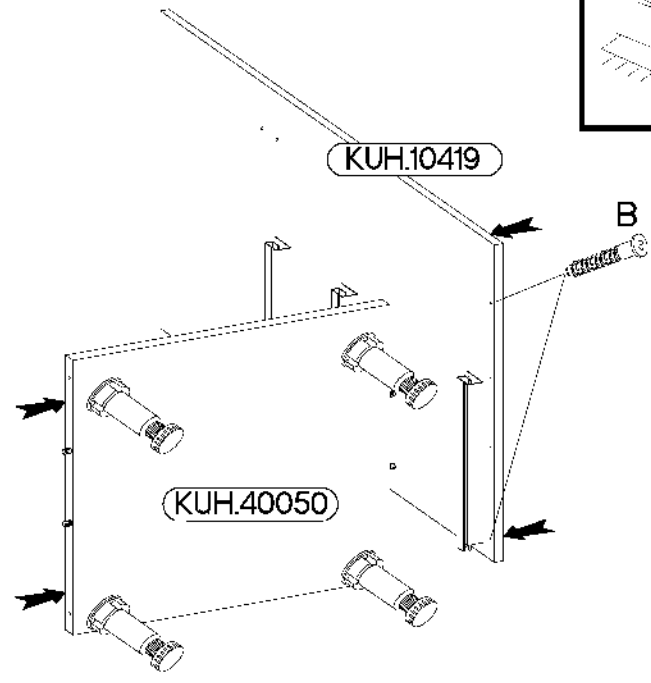
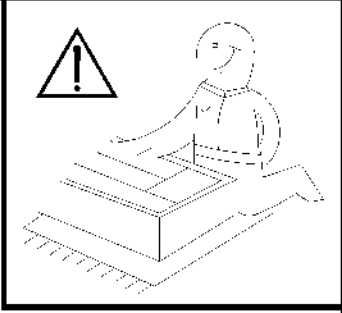
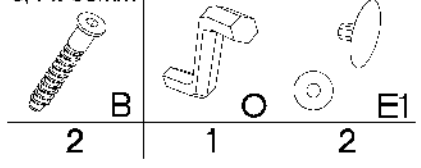
A

4

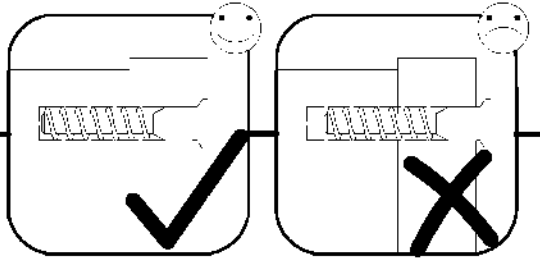
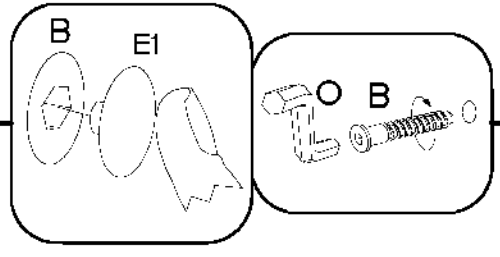




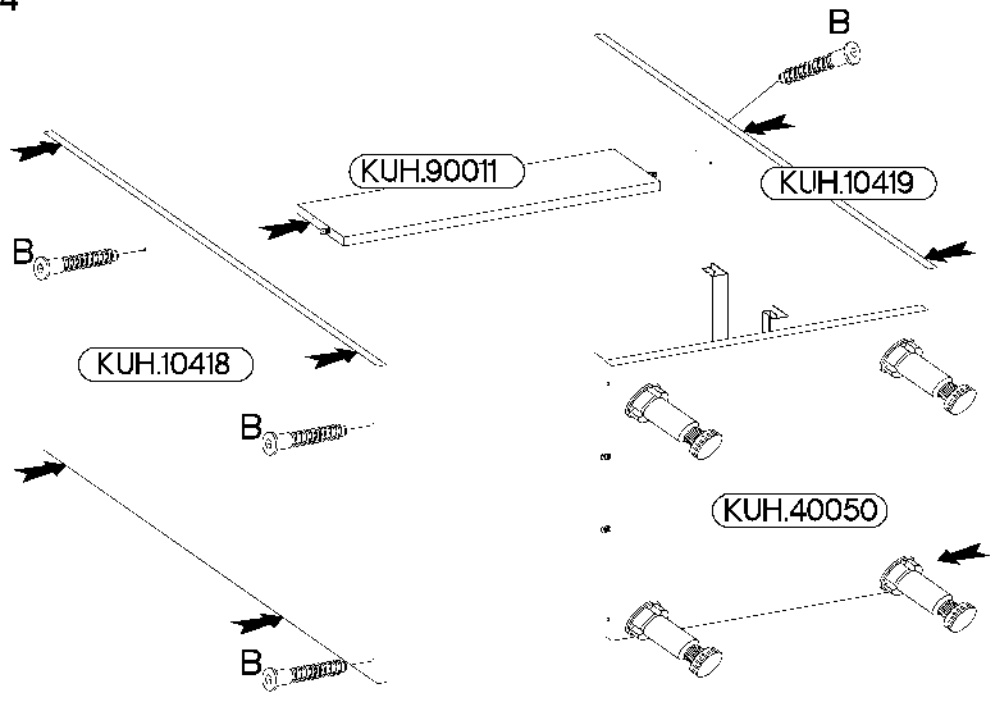
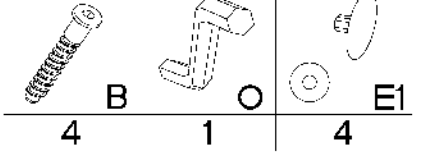
6,4 x 50mm



14



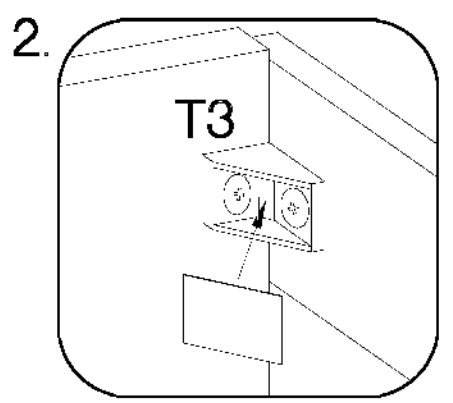
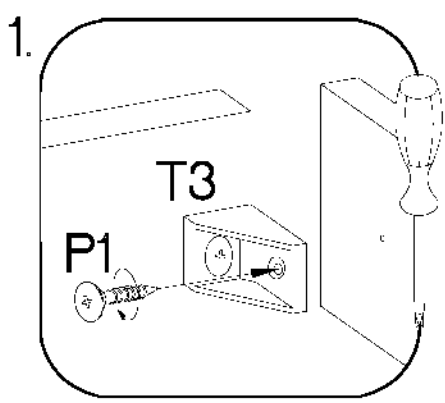
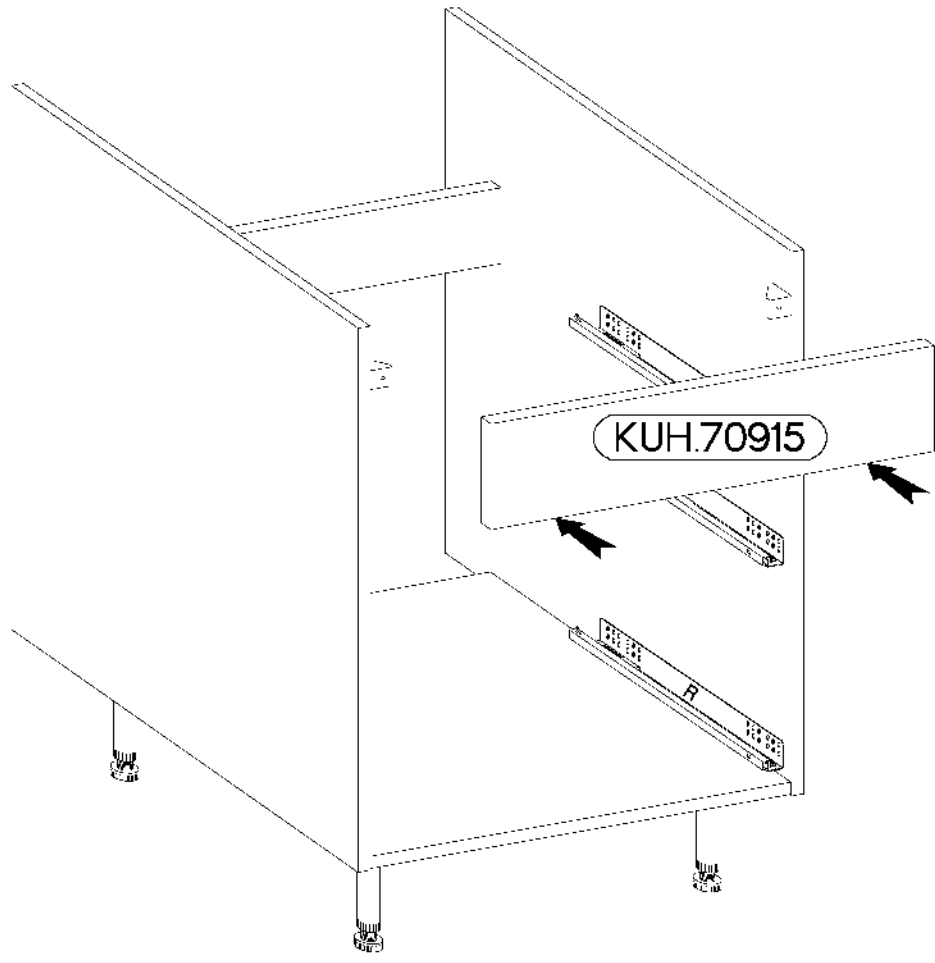
6,4 x 50mm





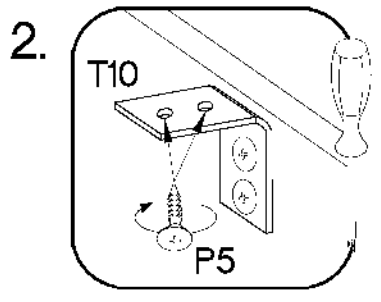
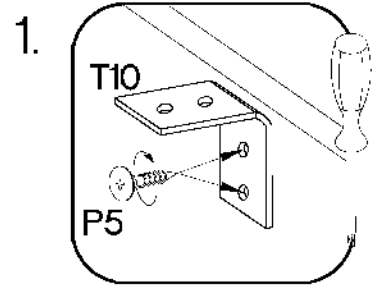
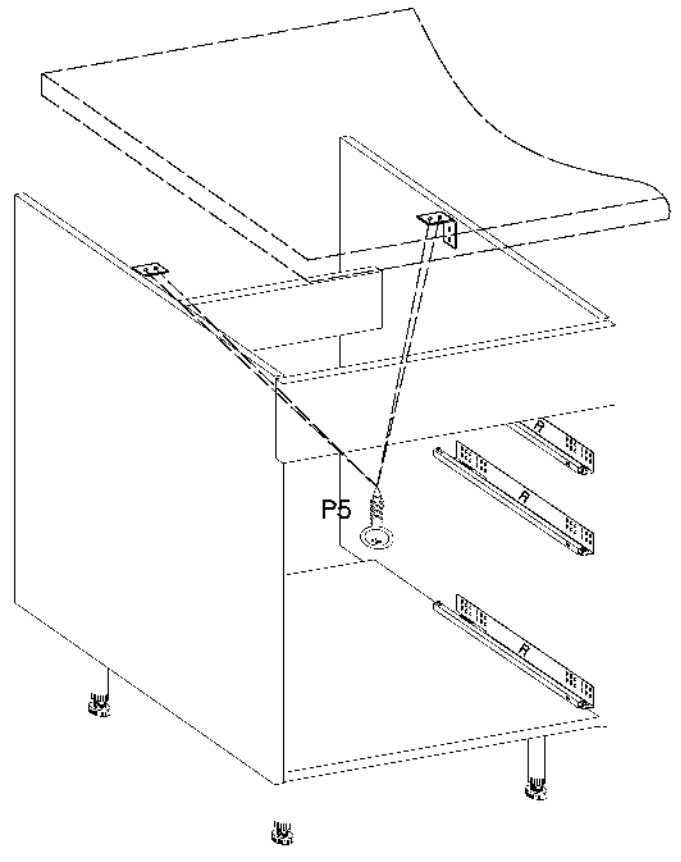




P1

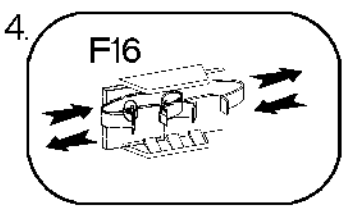
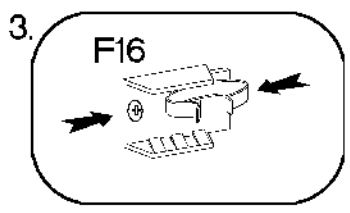
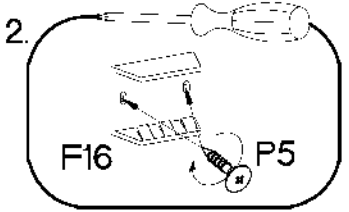
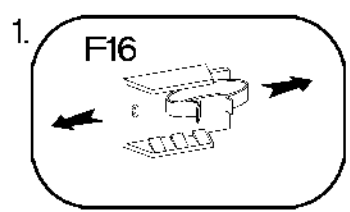
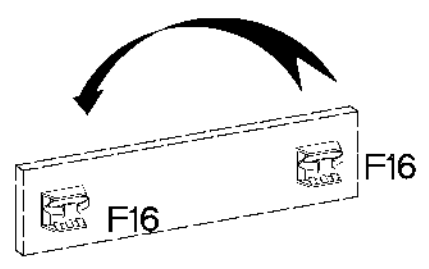
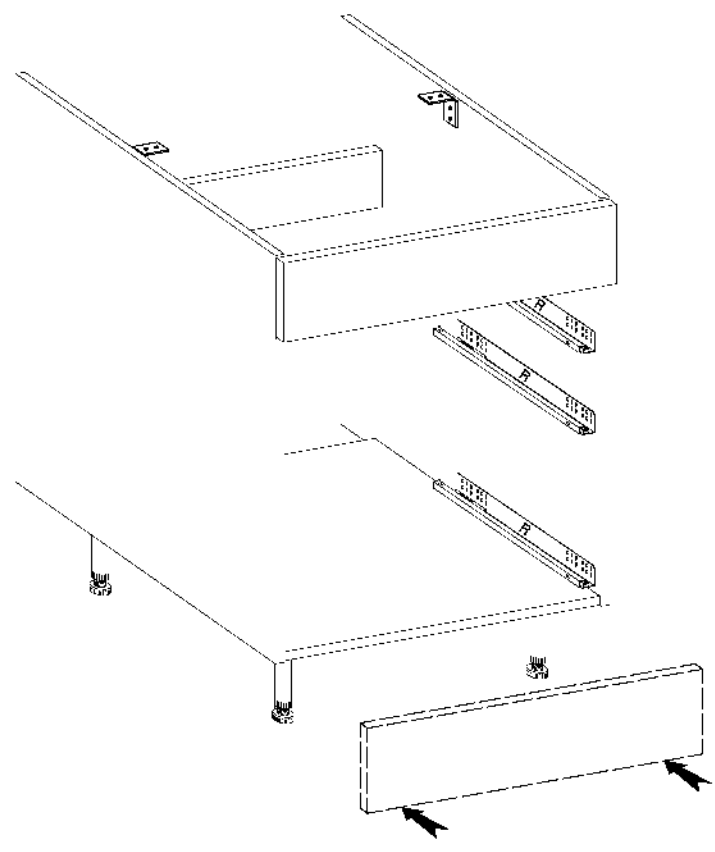
2



#3.5x13mm	
	
P5	T10
8	2



#3.5x13mm	
	
P5	F16
4	2





±3.0x16mm

L=595mm



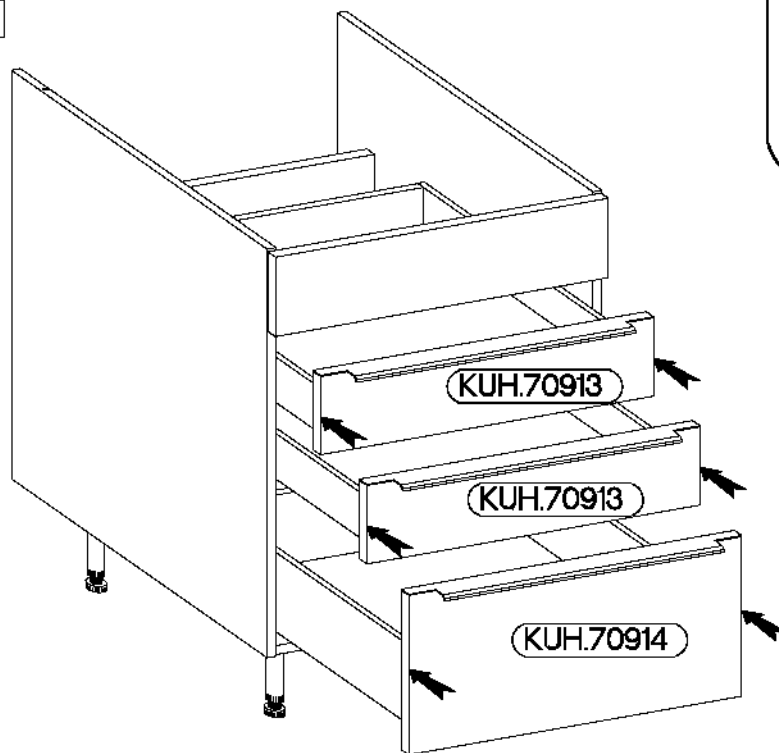
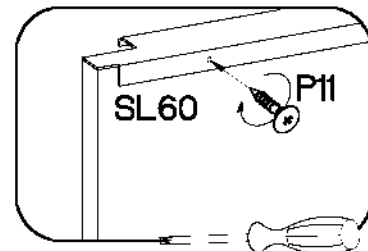
P11

12

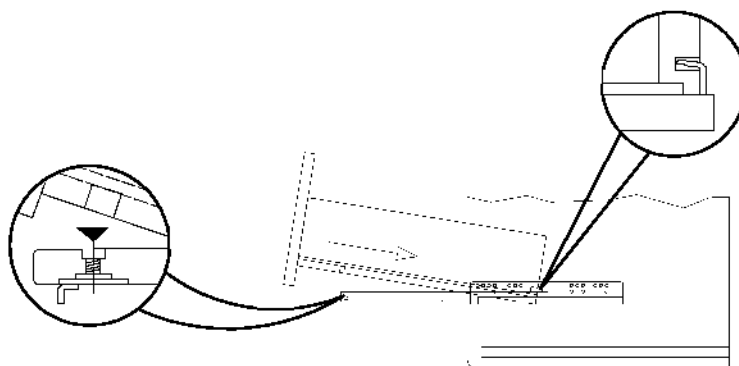


SL60

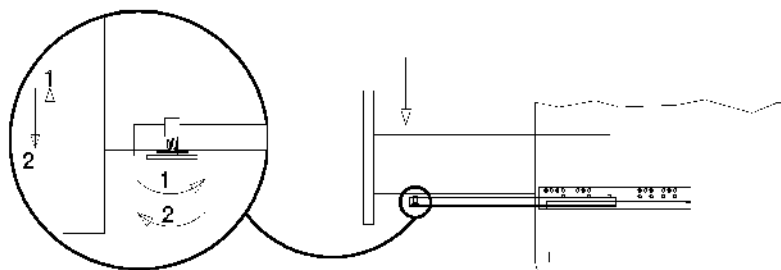
3



**1.**

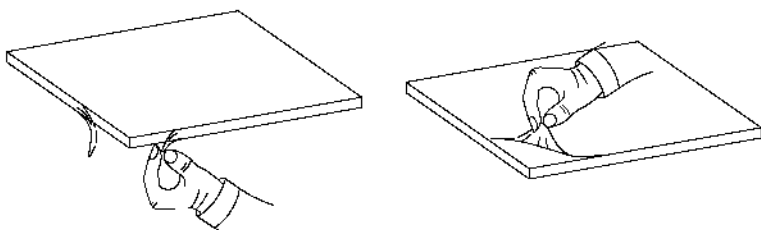


**2.**

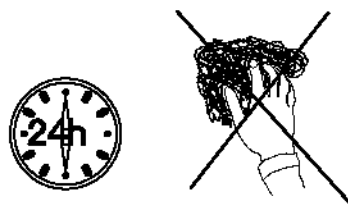


## VARIANT HIGH GLOSS

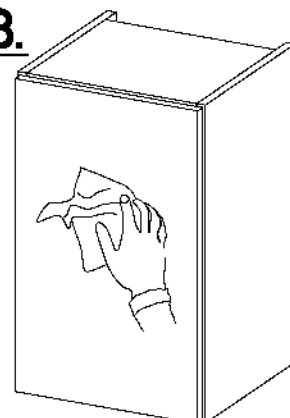
**1.**

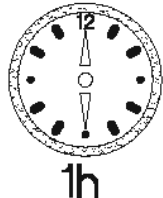
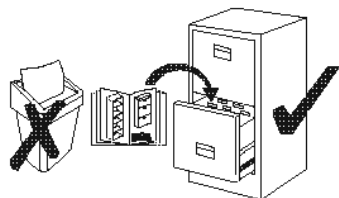
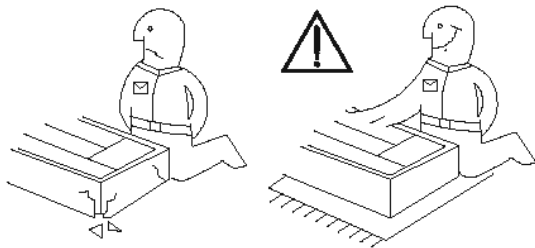
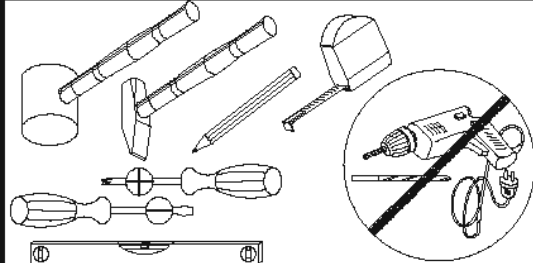
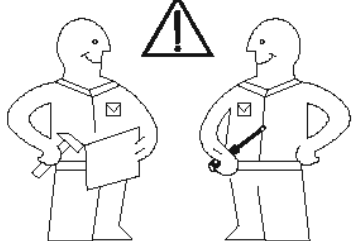


**2.**



**3.**





SAFADO / MARLEEN

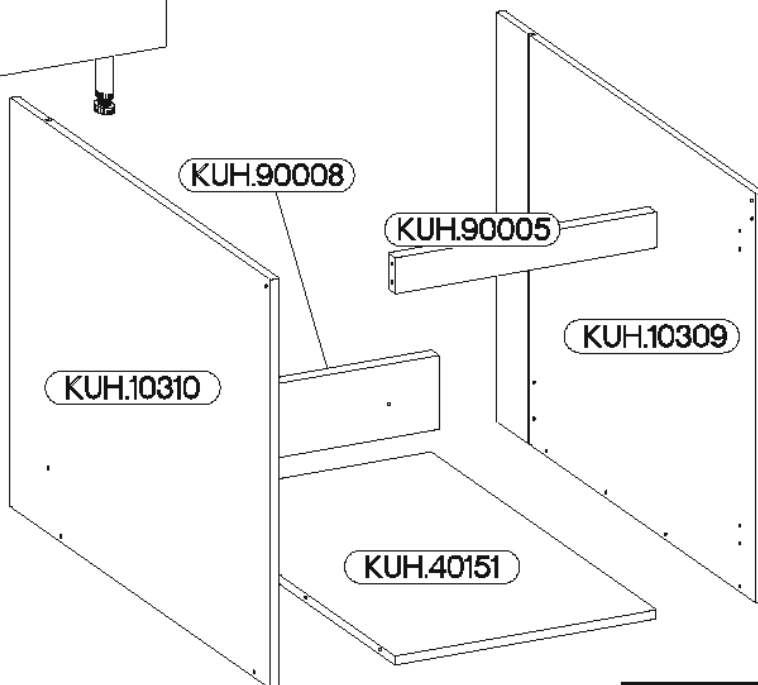
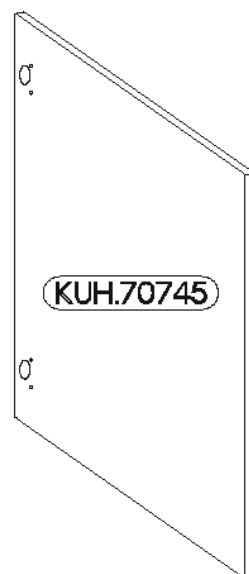
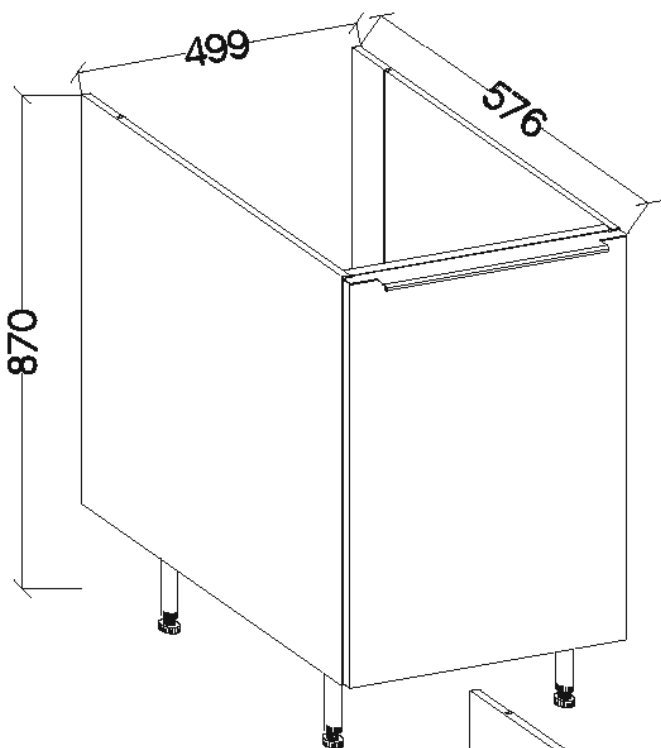
84-170-...  
84-176-...  
84-17C-...



**respekta®**



KUH.40151



±8x30mm  A 8	6,4 x 50mm  B 8	 E1 8	 L37 2	 L38 2
 F15 4	 F16 2	±35/0mm  HG 2	 O 1	±3.5x13mm  P5 32
			±3.0x16mm  P11 17	L=495mm  SL50 1
				 T10 2

Colli	Spare Part	Dimension
Colli 3/6	KUH.10309	720x560x16
	KUH.10310	720x560x16
	KUH.40151	467x485x16
	KUH.70745	711x496x16
	KUH.90005	467x63x16
	KUH.90008	467x130x16

**ISM-KUH-01603**

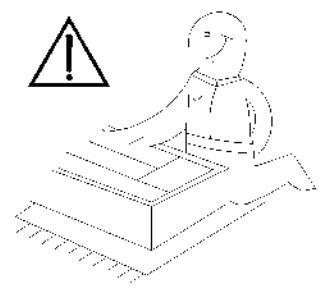
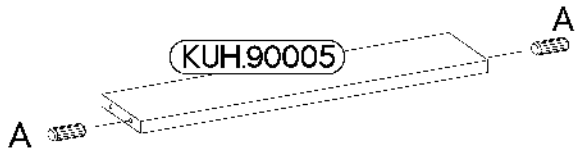
±8x30mm



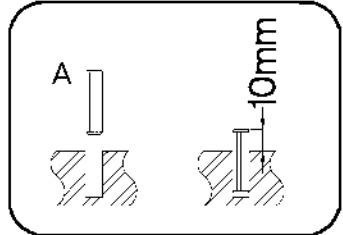
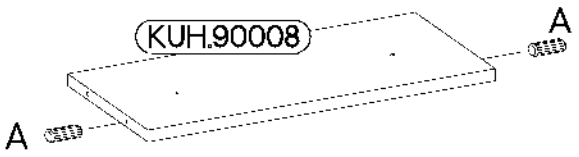
A

4

KUH.90005



KUH.90008



2

±8x30mm ±3.5x13mm



A

4



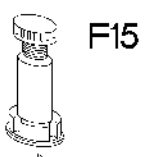
P5

16

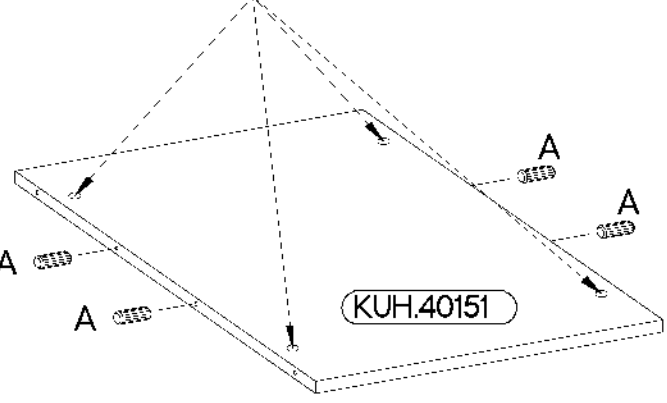


F15

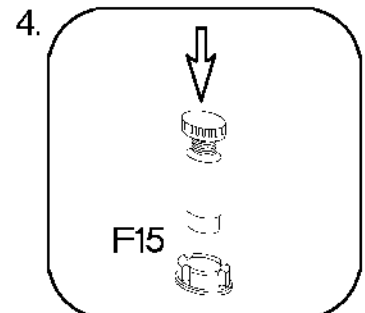
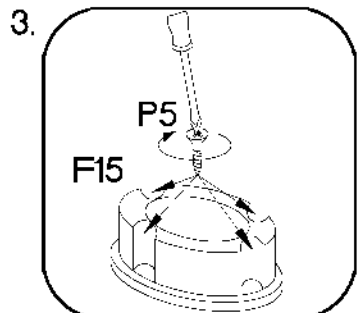
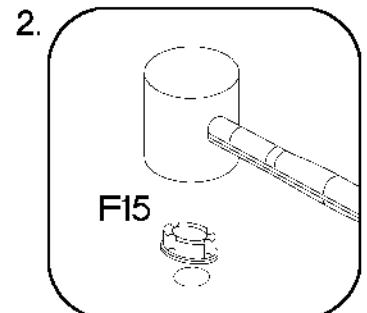
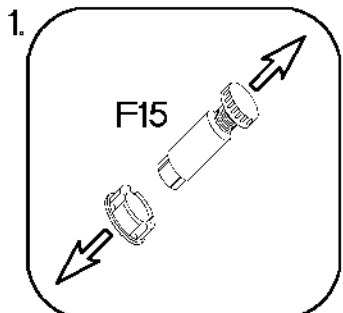
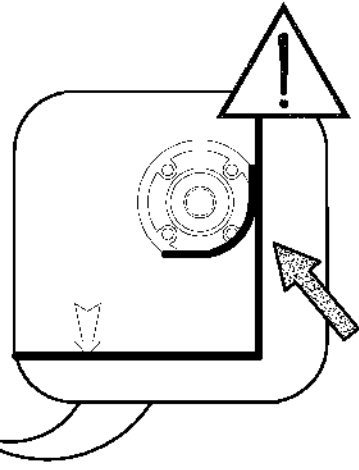
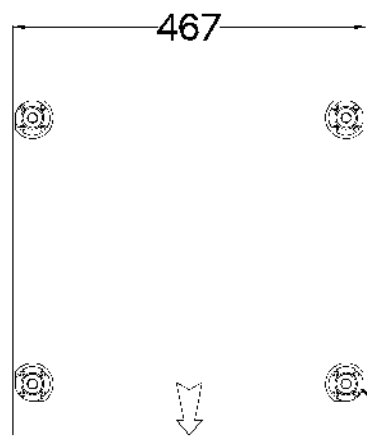
4



F15



KUH.40151



3

±35/0mm ±3.5x13mm



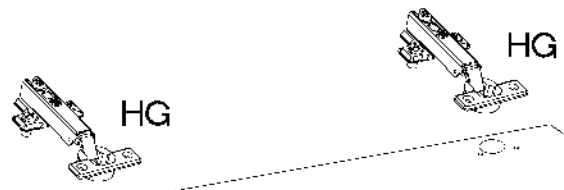
HG

2

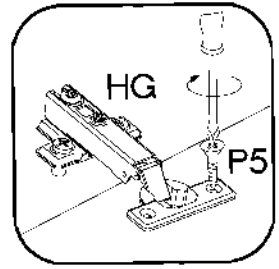


P5

4

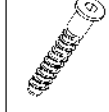


KUH.70745



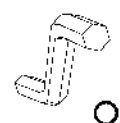
4

6,4 x 50mm



B

4



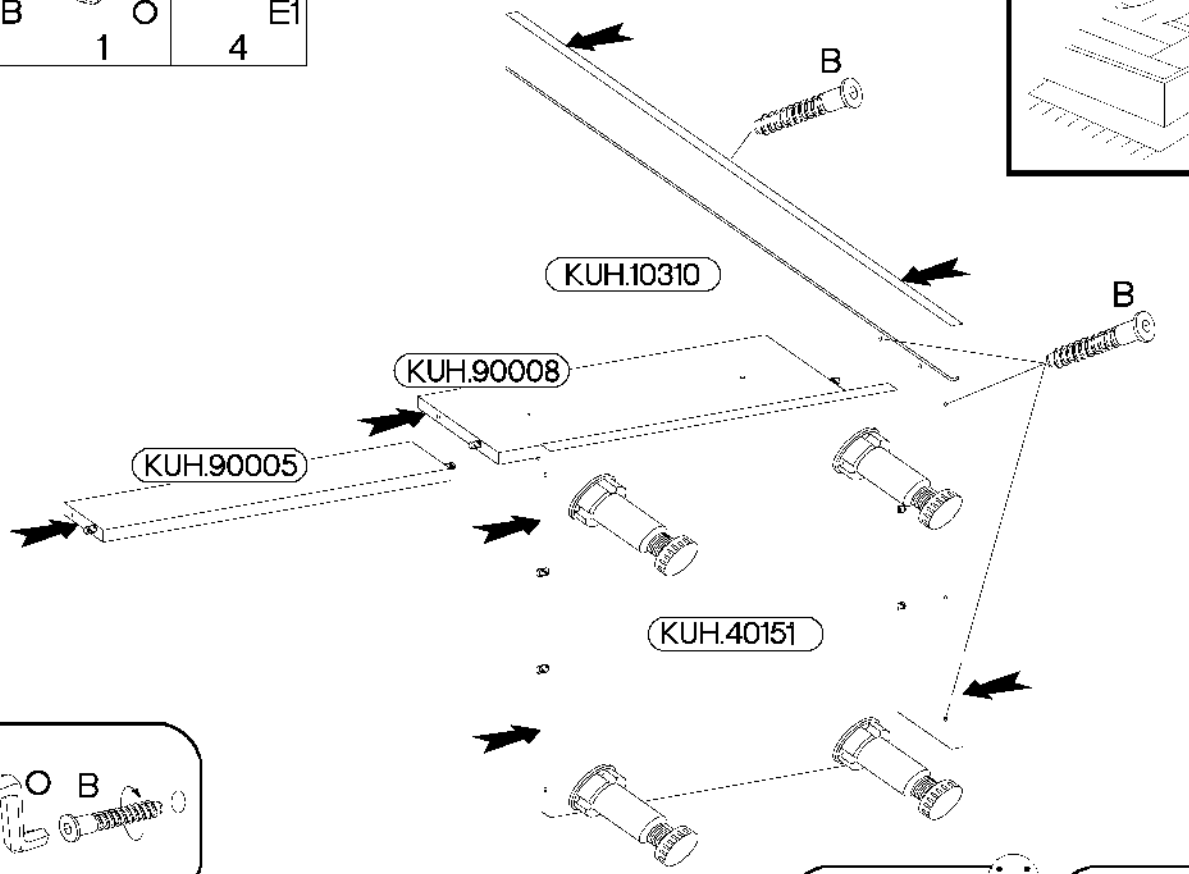
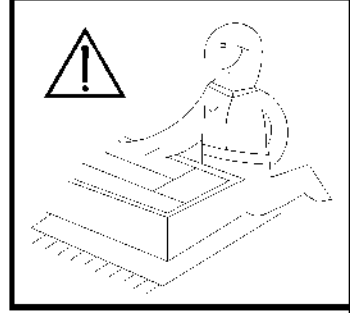
O

1

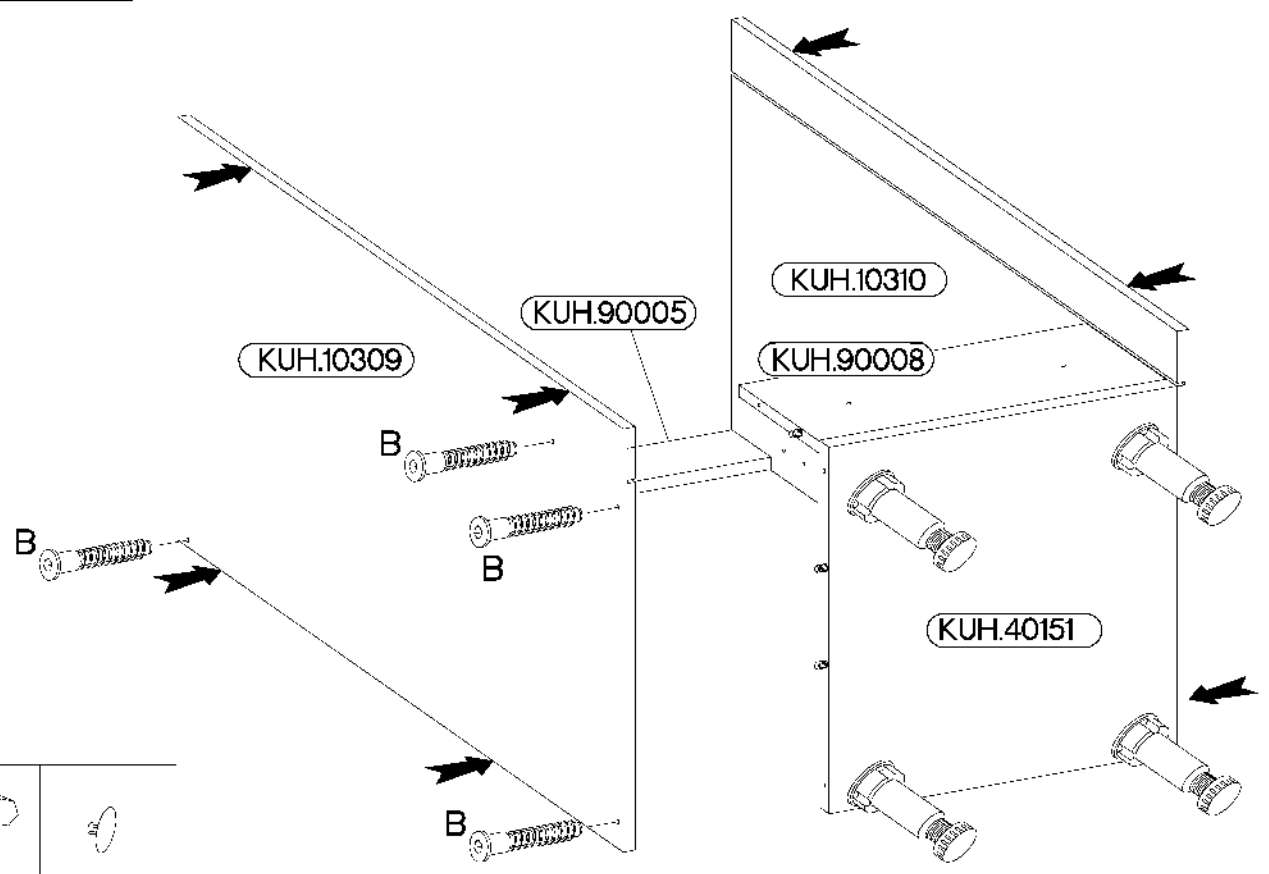
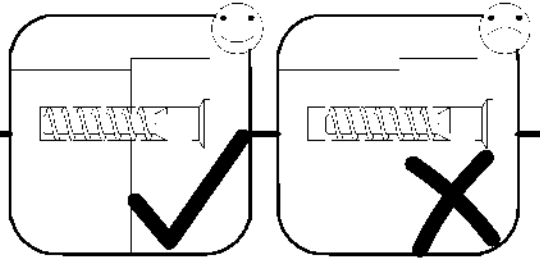
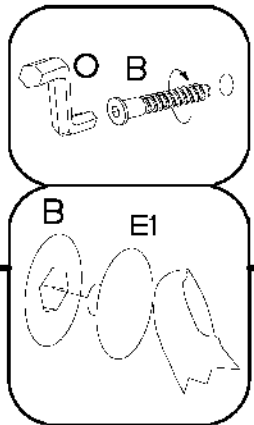


E1

4



5

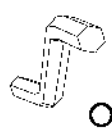


6,4 x 50mm



B

4



O

1



E1

4

**6**

+3.5x13mm



P5

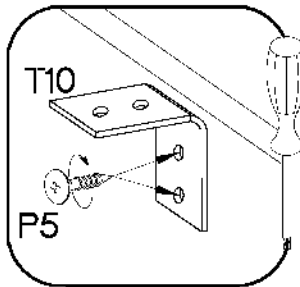
8



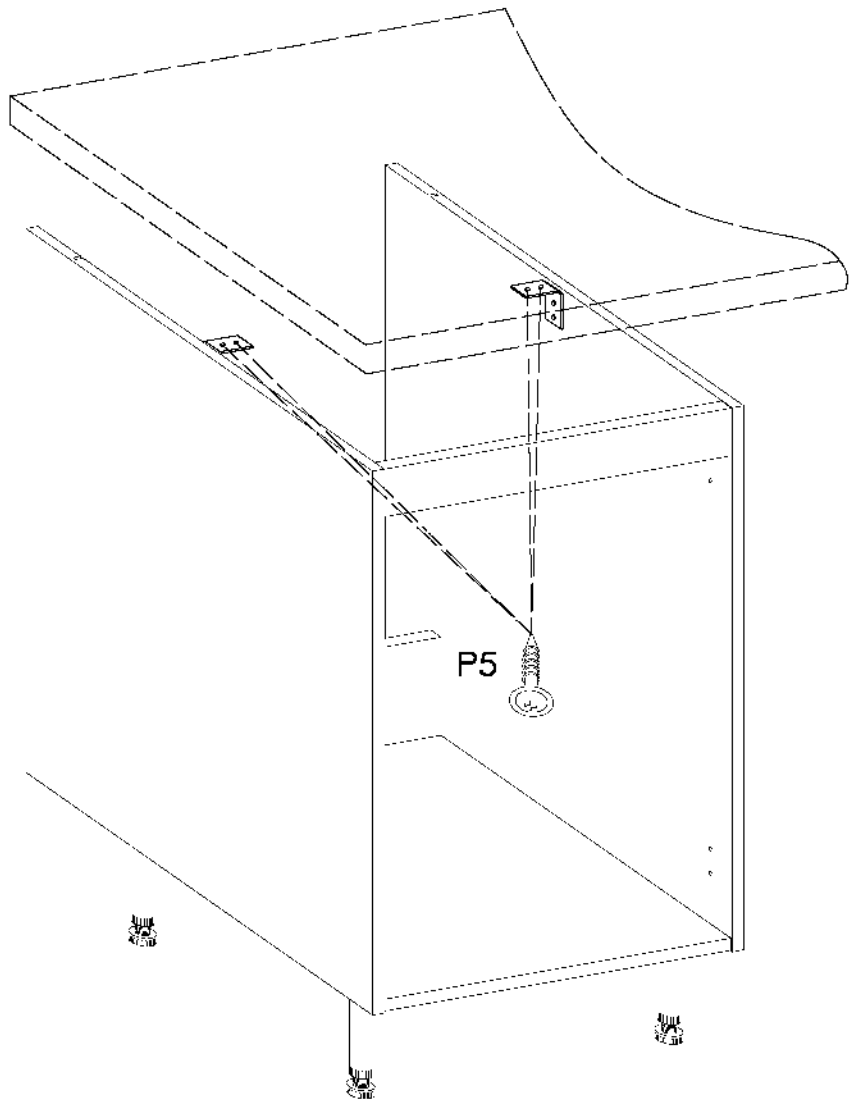
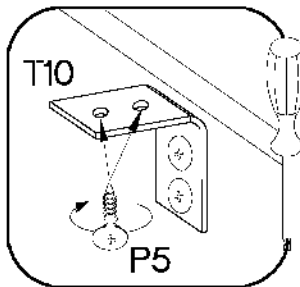
T10

2

1.



2.

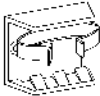
**7**

+3.5x13mm



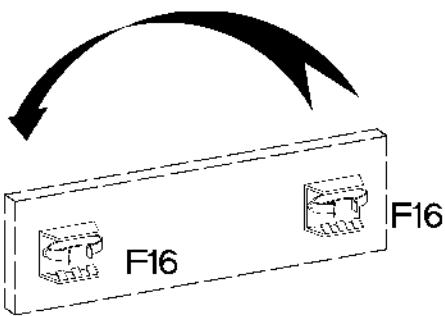
P5

4

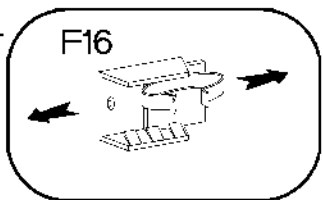


F16

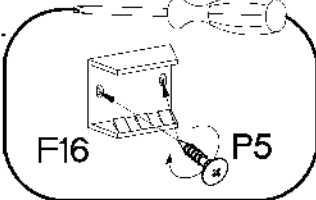
2



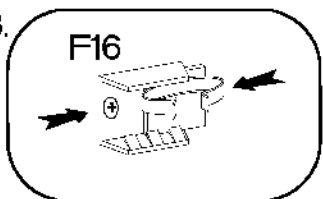
1.



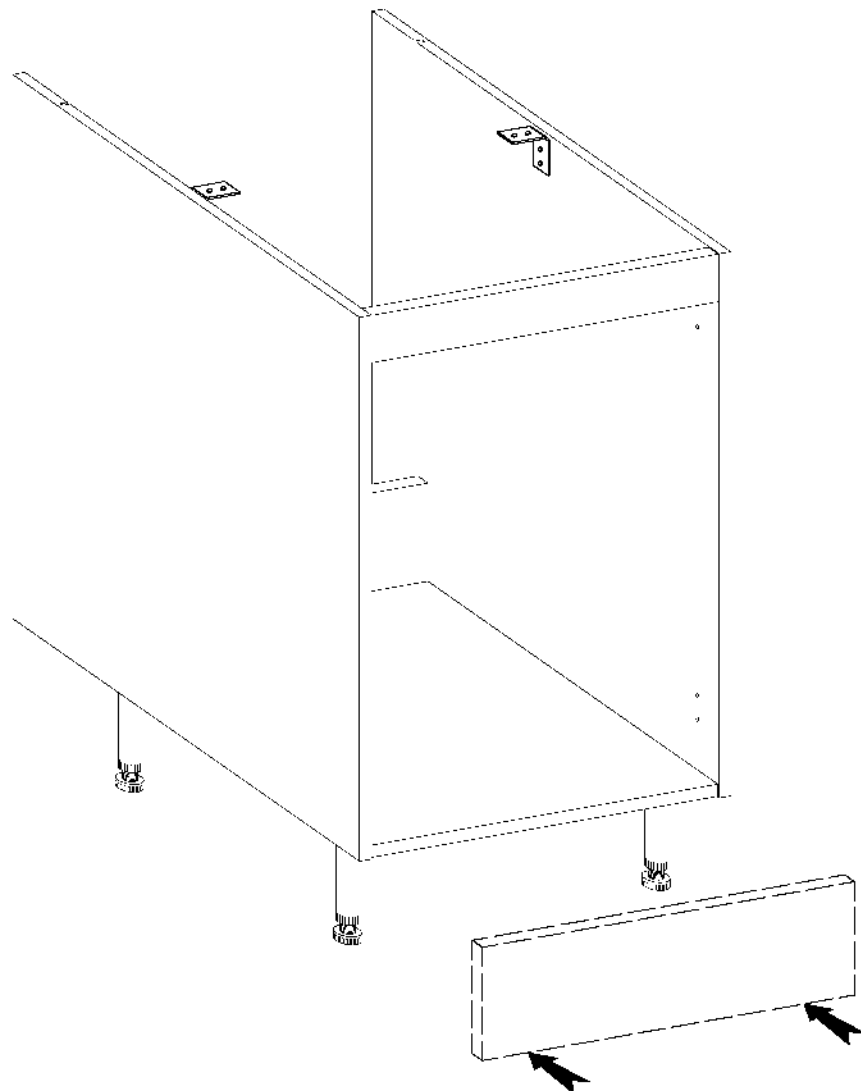
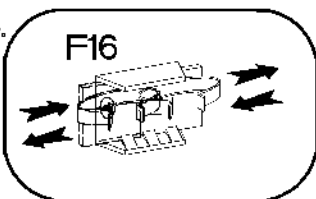
2.





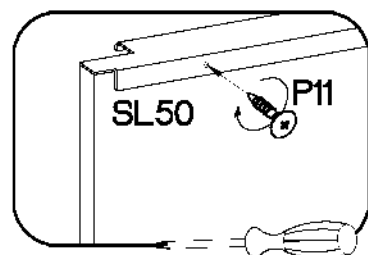
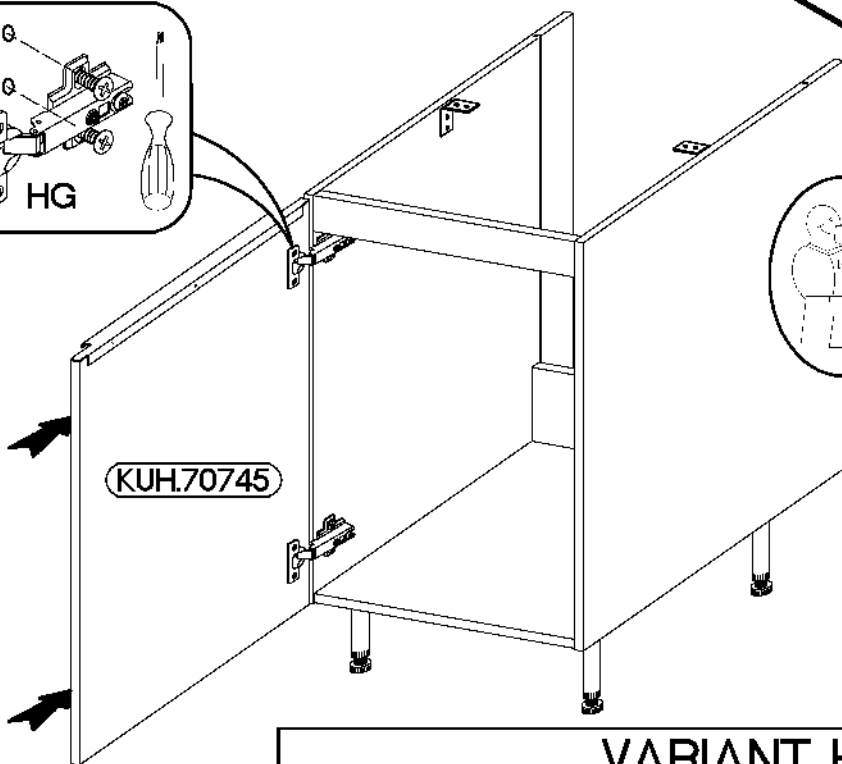
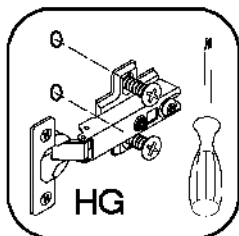
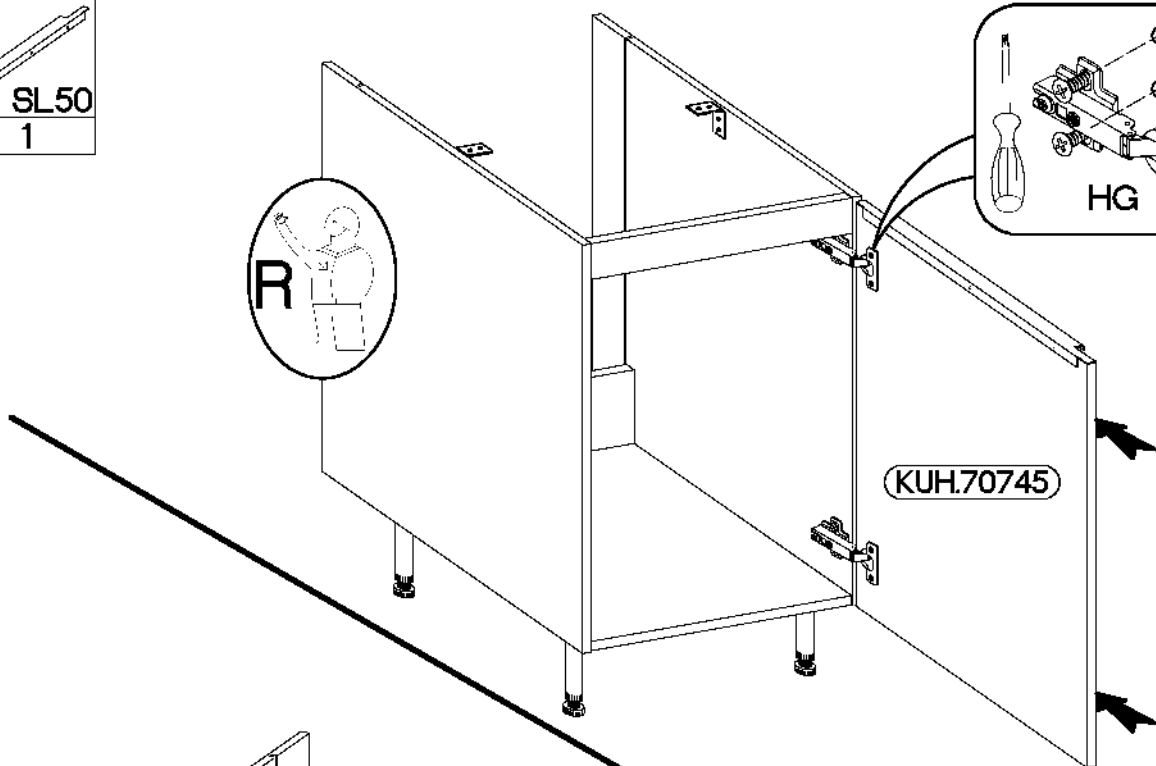
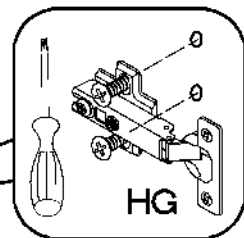
3.



4.

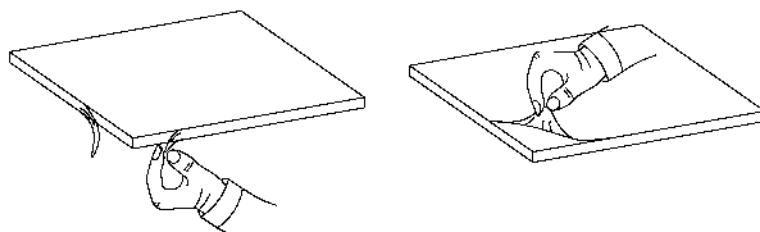


∅3.0x16mm	L=495mm
	
P11	SL50
3	1



## VARIANT HIGH GLOSS

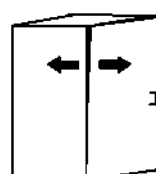
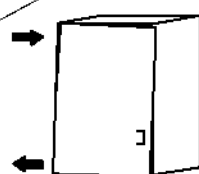
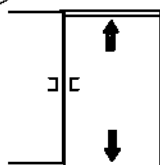
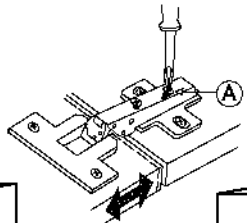
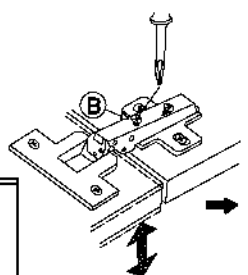
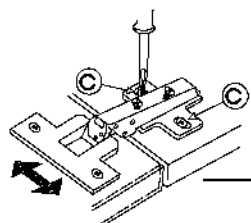
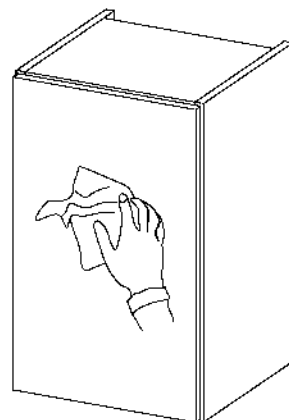
1.

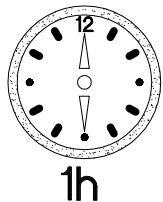
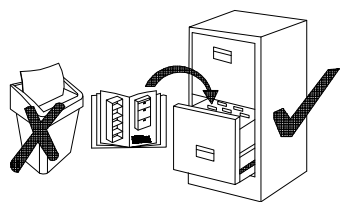
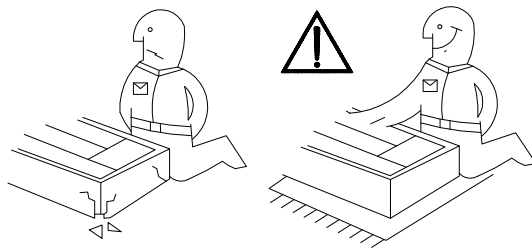
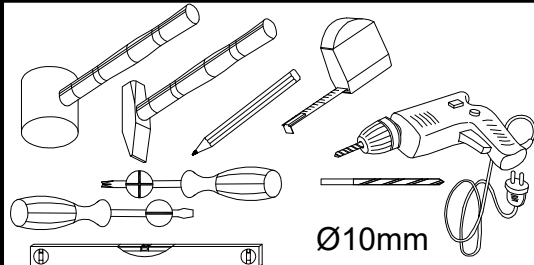
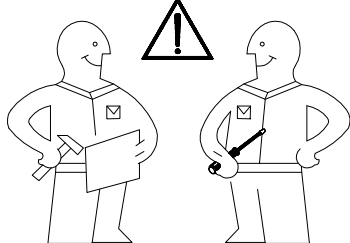


2.



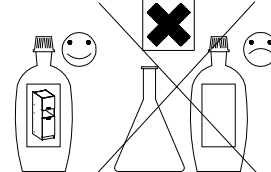
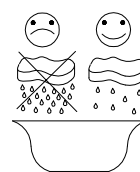
3.



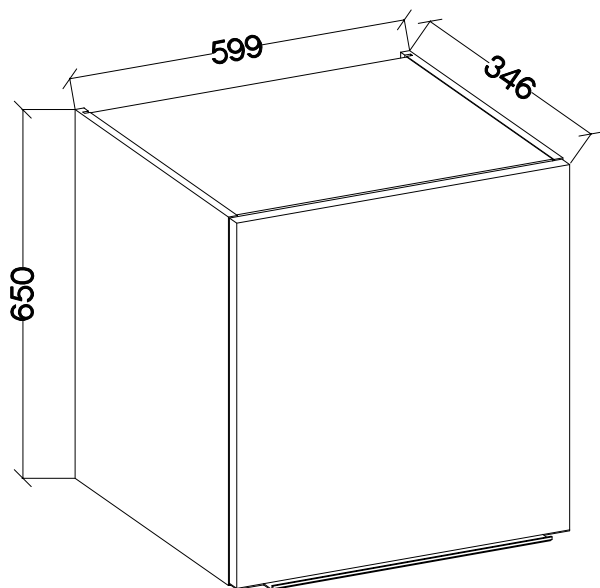


SAFADO / MARLEEN

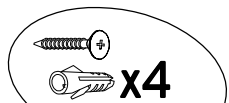
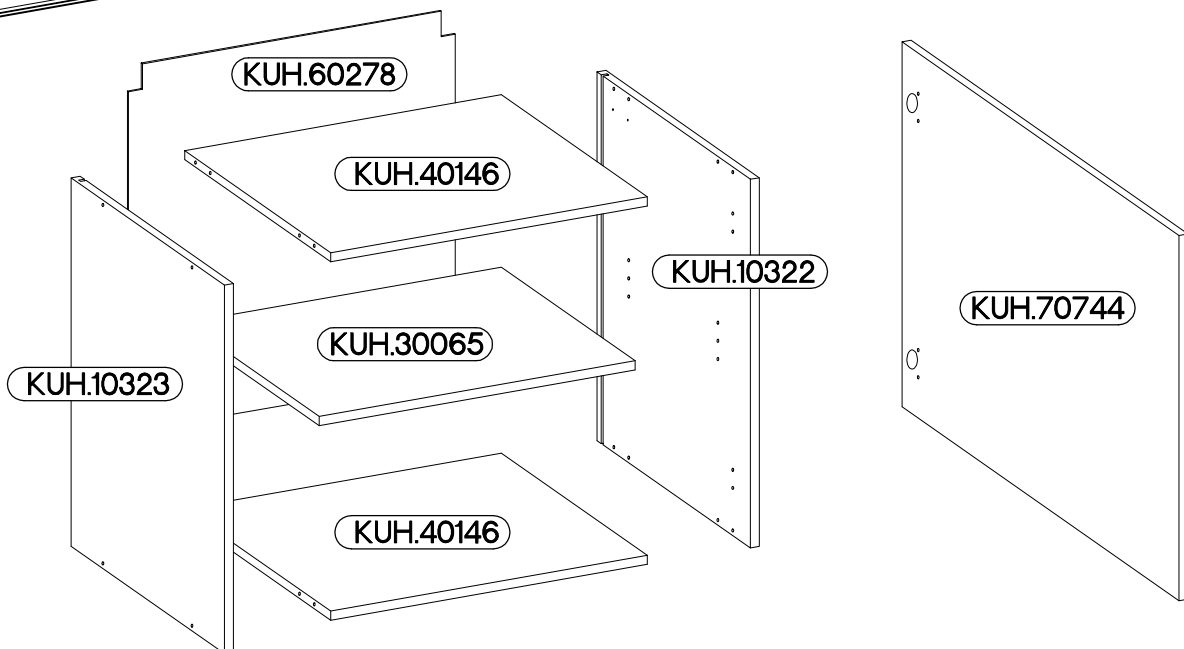
84-170-...  
84-176-...  
84-17E-...



respekta®



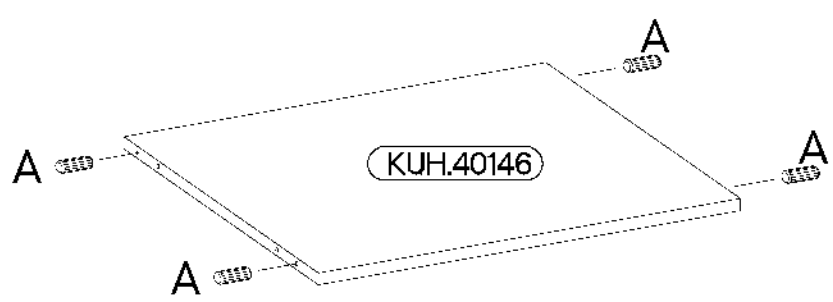
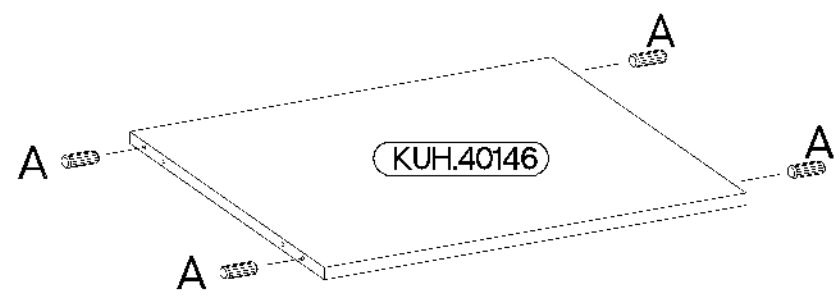
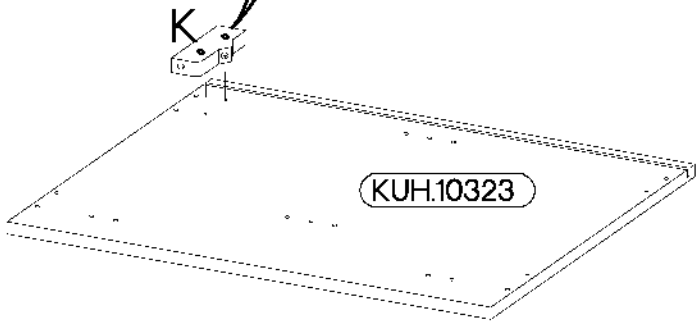
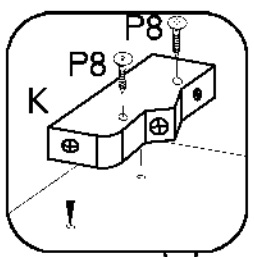
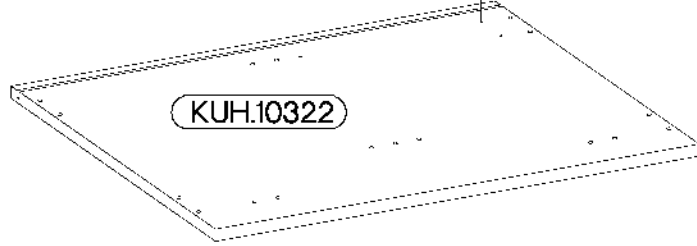
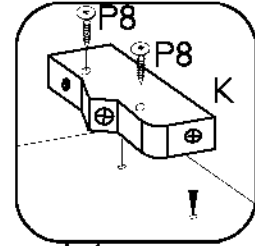
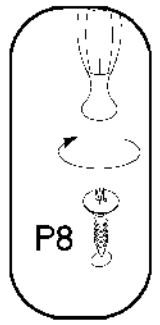
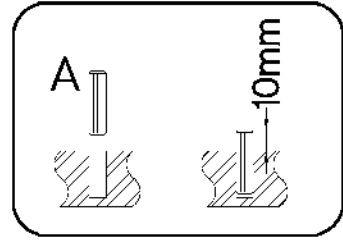
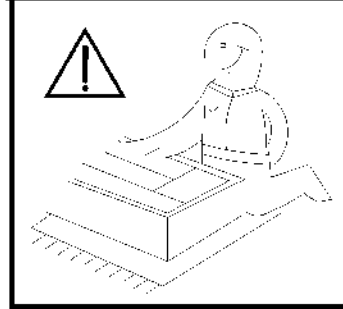
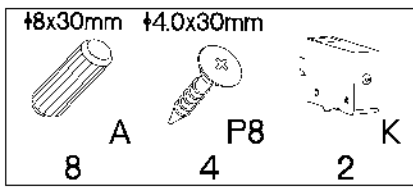
max. 5kg  
KUH.30065  
KUH.40146



 A 8	 B 8	 E1 8	 HG 2	 J3 4	 K 2	 K16 2
 O 1	 P5 4	 P7 10-15	 P8 4	 P11 4	 R 2	 SL60 1

Colli	Spare Part	Dimension
Colli 5/6	KUH.10322	650x330x16
	KUH.10323	650x330x16
	KUH.30065	566x288x16
	KUH.40146 x2	567x314x16
	KUH.60278	646x585x2,5
	KUH.70744	644x596x16

ISM-KUH-01604





2

6,4 x 50mm



4

B



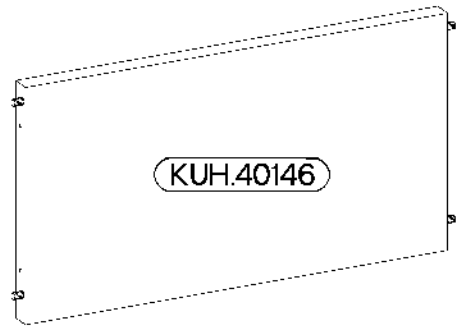
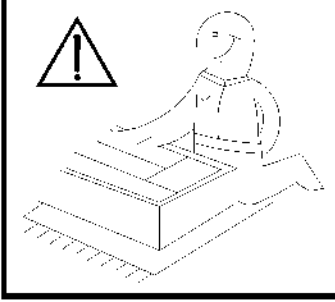
1

O

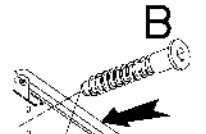


4

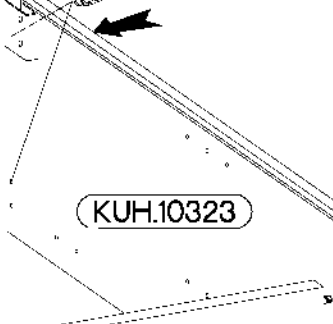
E1



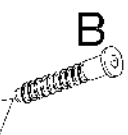
KUH.40146



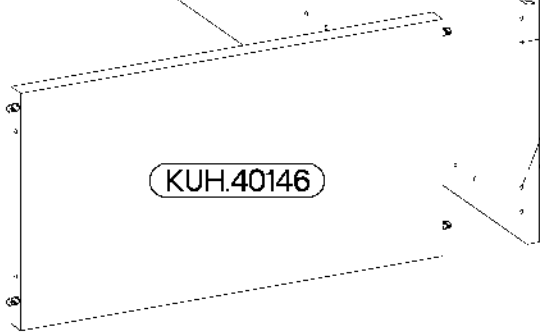
B



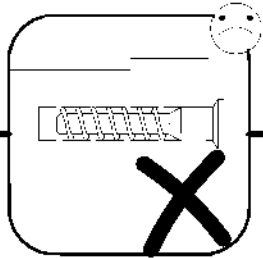
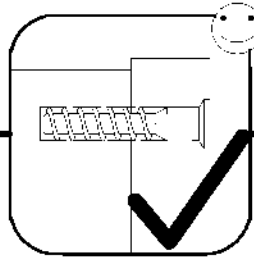
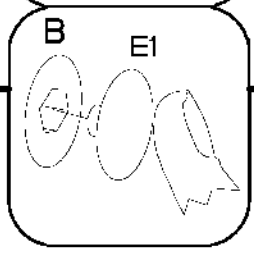
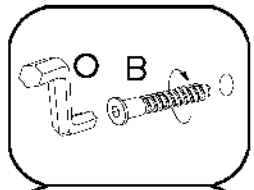
KUH.10323



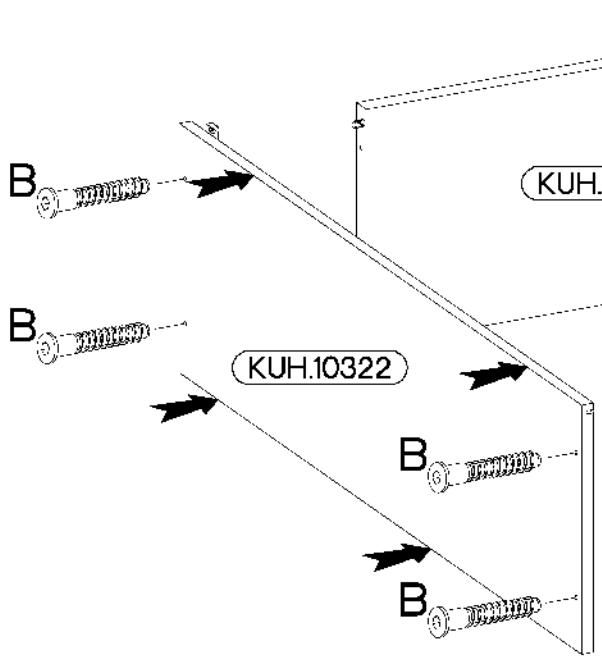
B



KUH.40146



3



KUH.40146

KUH.10322

KUH.10323

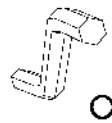
KUH.40146

6,4 x 50mm



4

B



1

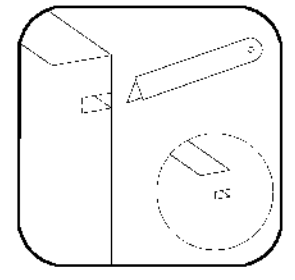
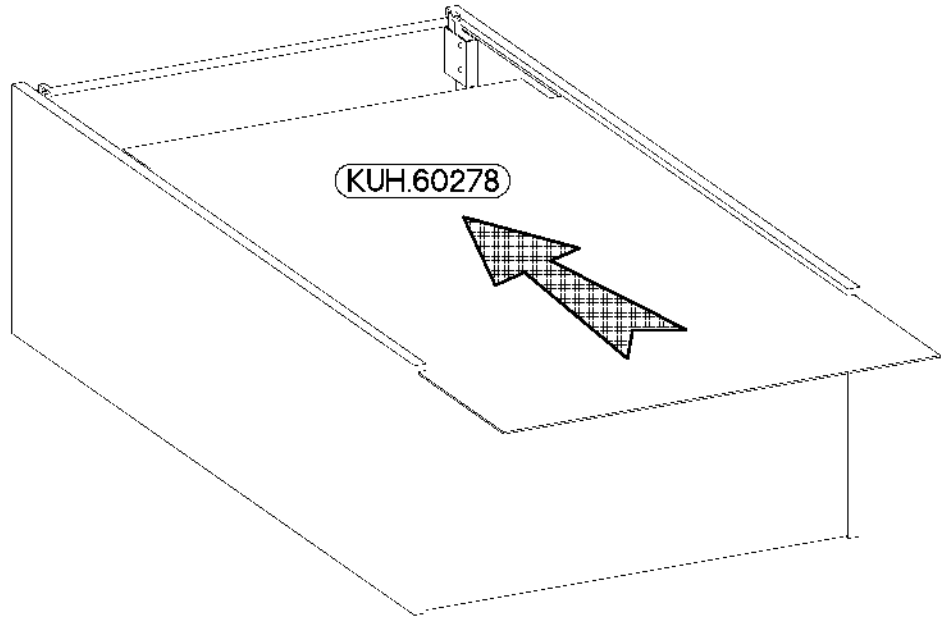
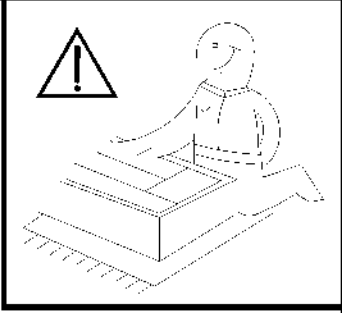
O




4

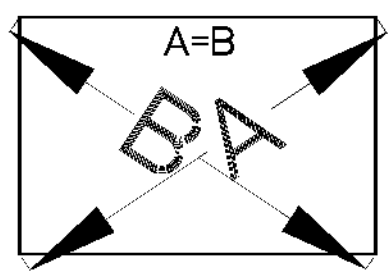
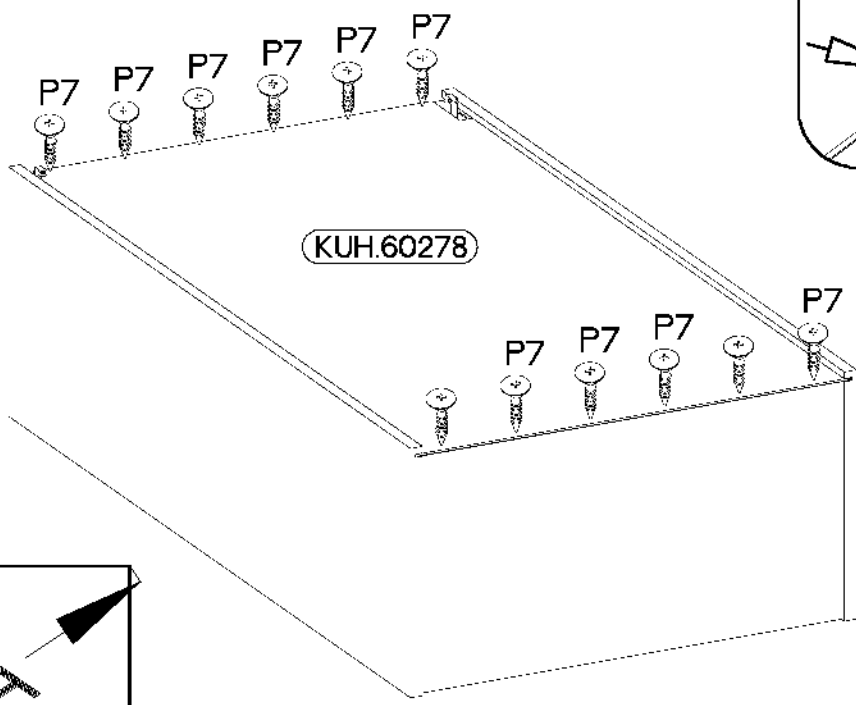
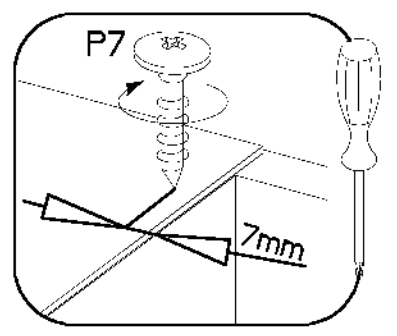
E1

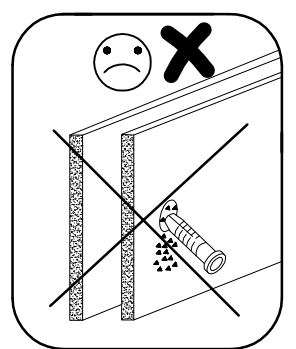
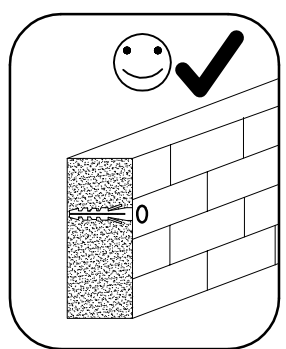
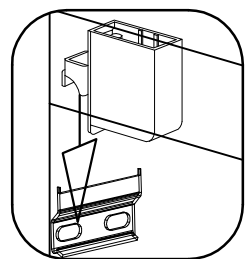
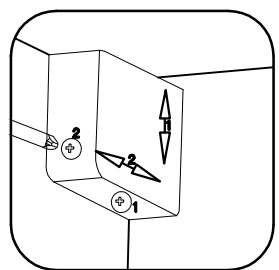
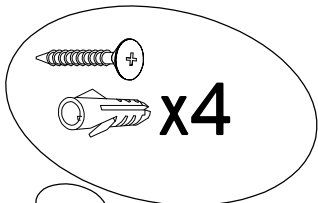
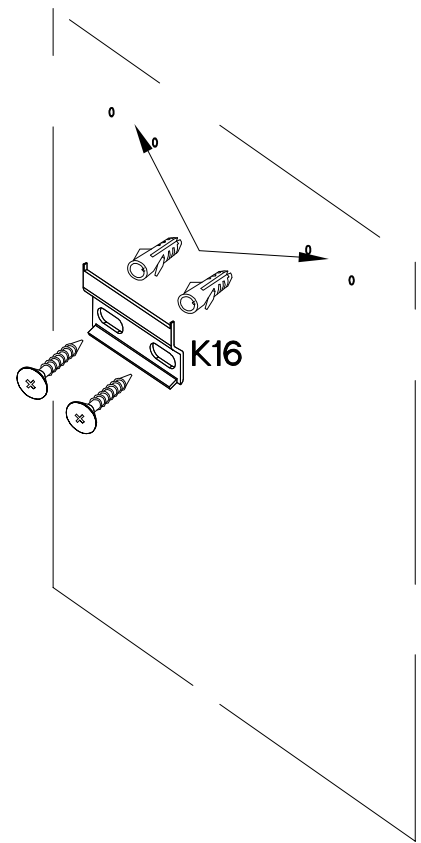
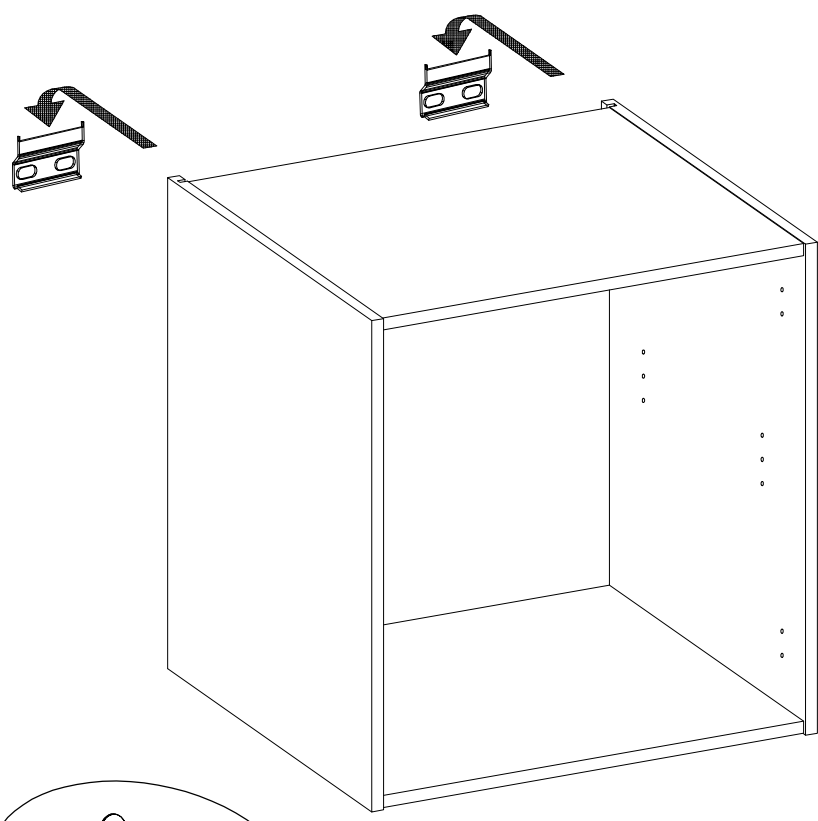
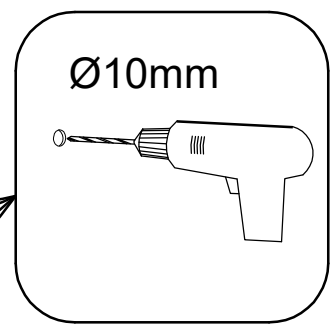
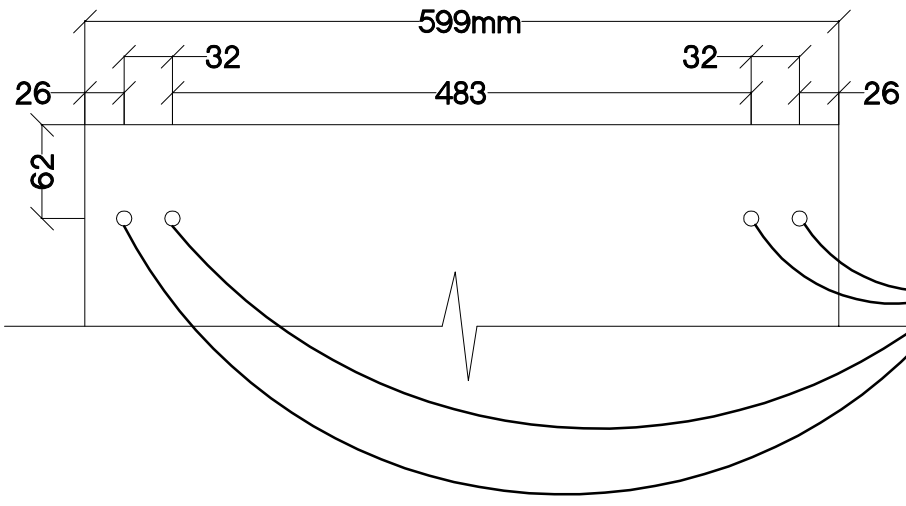
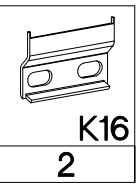
4



5

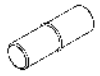
$\varnothing 3.0 \times 20 \text{mm}$   
  
 P7  
 10-15





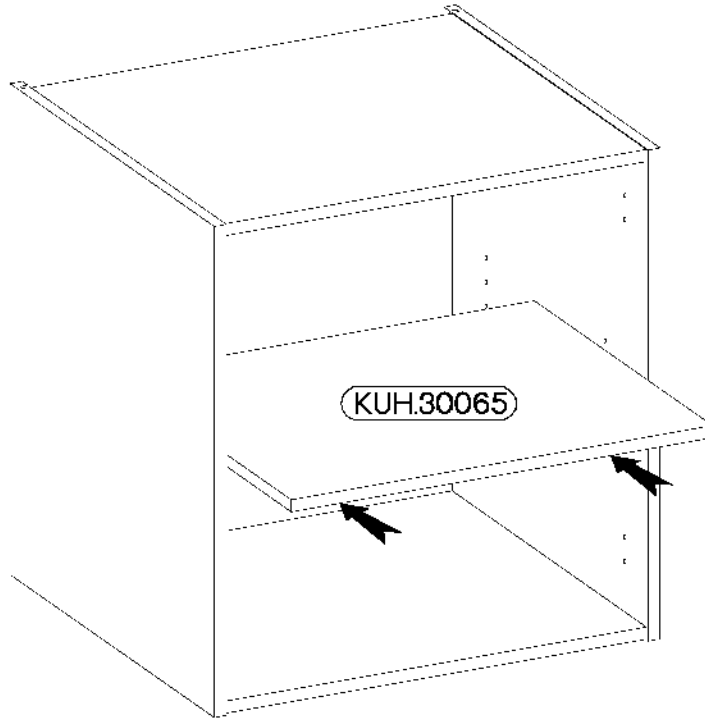
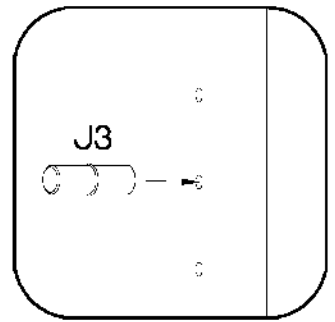


±5/16mm



J3

4



8

±35/0mm

±3.5x13mm



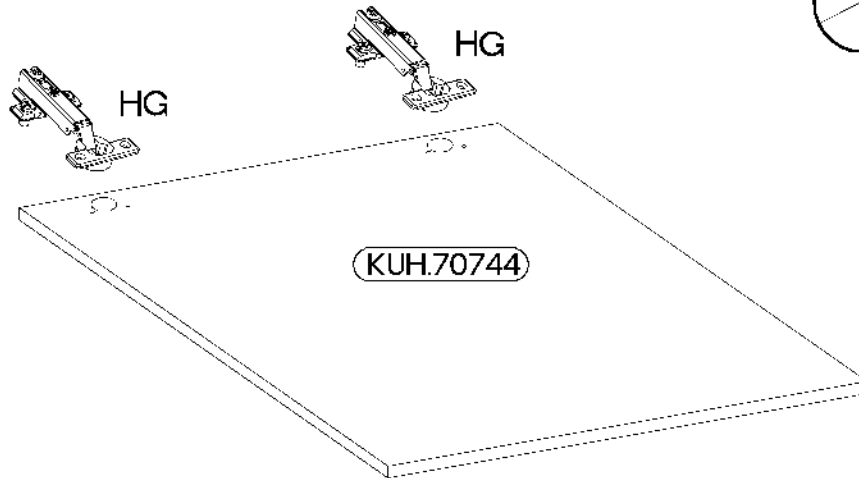
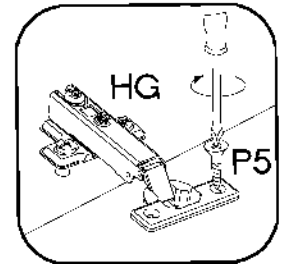
HG

2


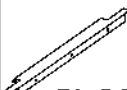


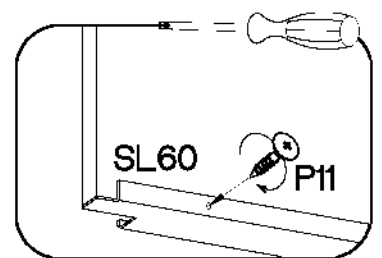
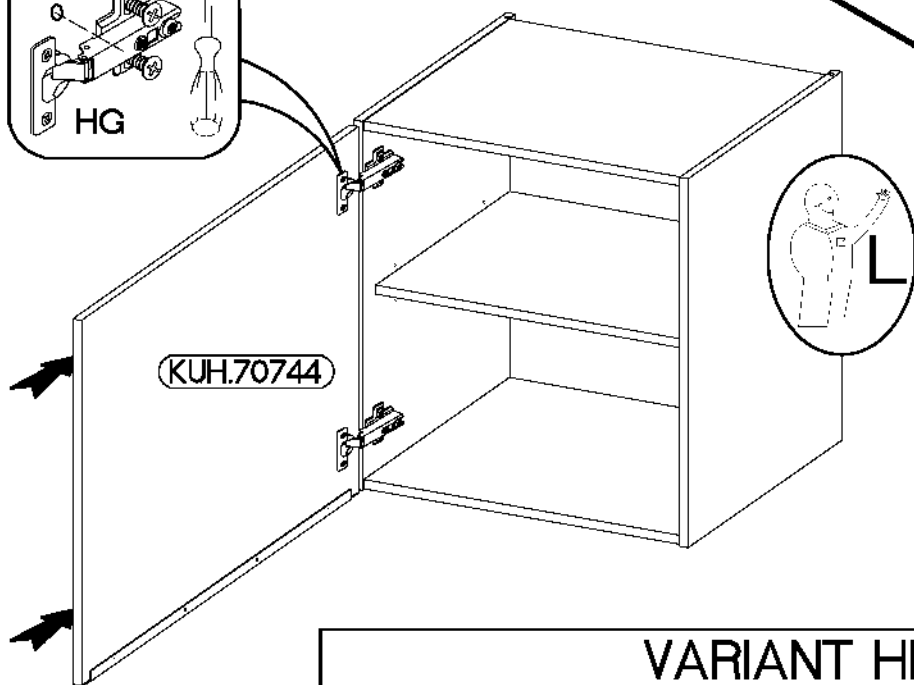
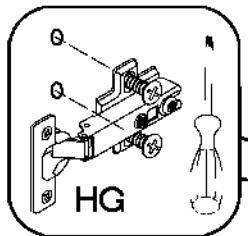
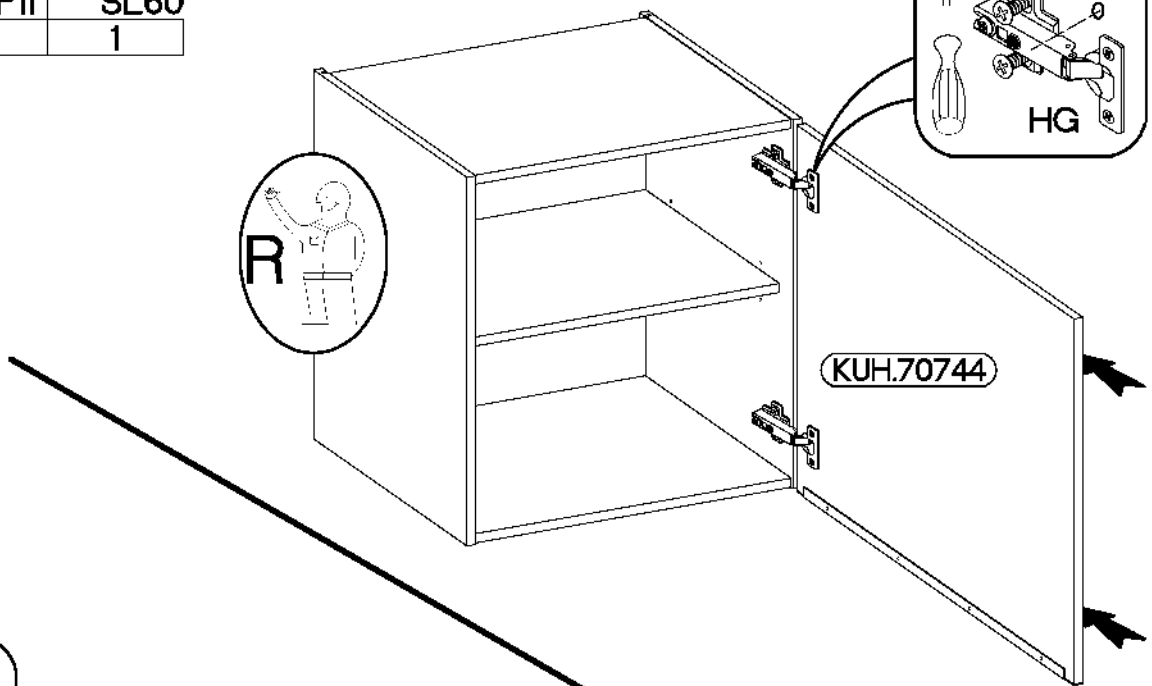
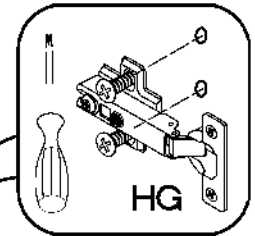
P5

4

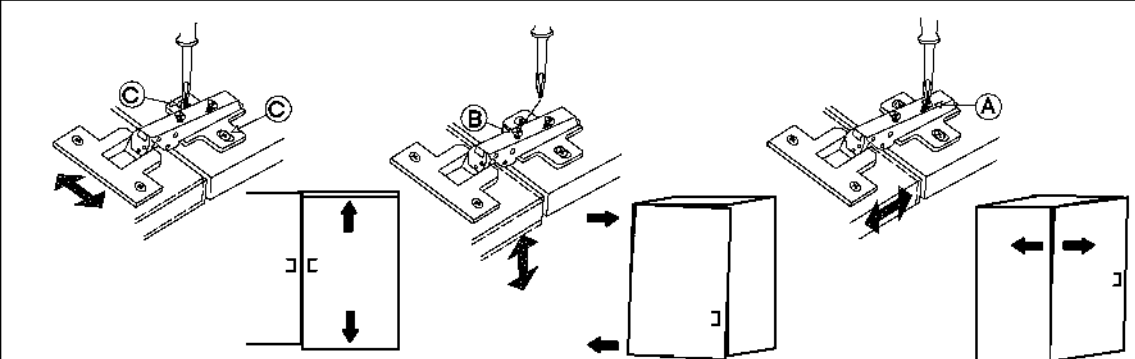
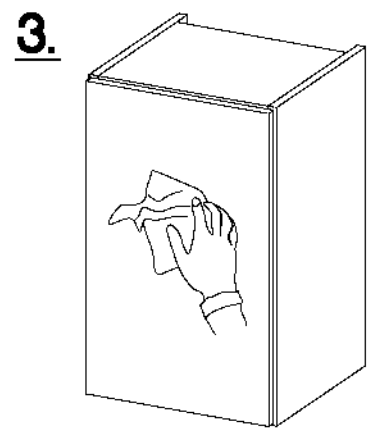
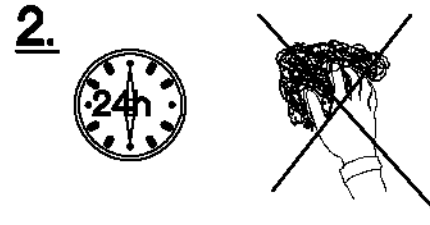
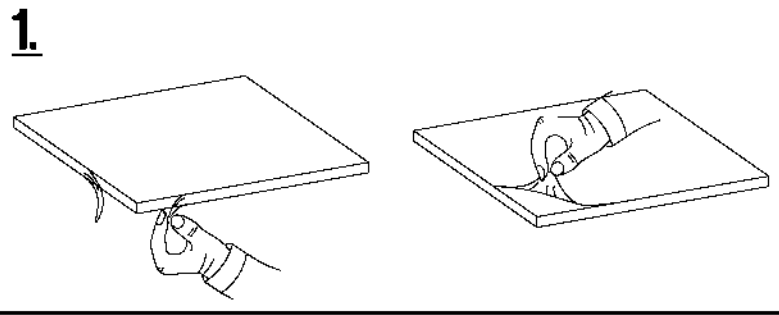


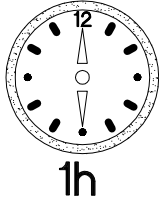
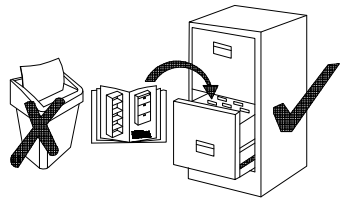
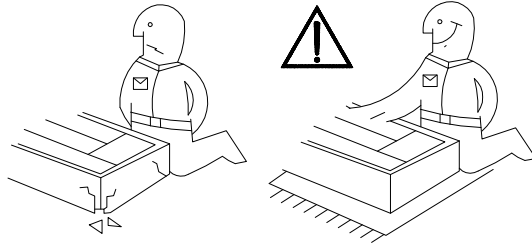
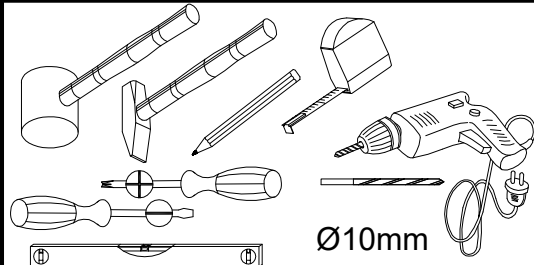
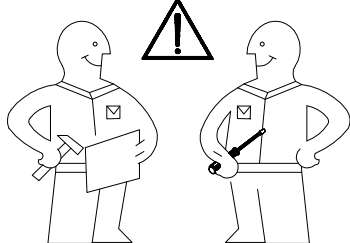
9

3.0x16mm	L=595mm
	
P11	SL60
4	1



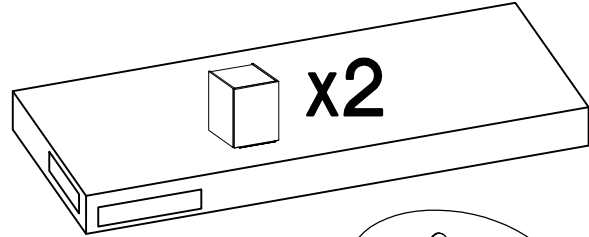
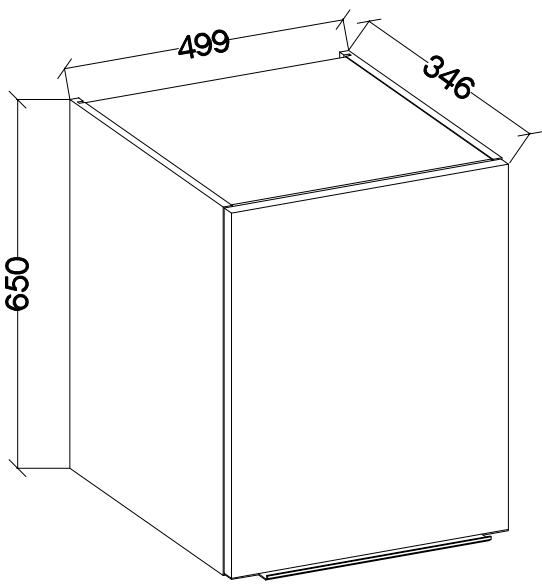
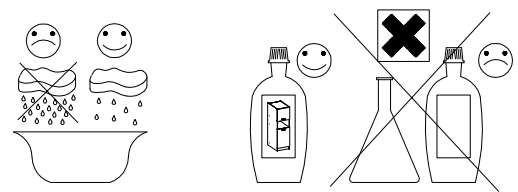
VARIANT HIGH GLOSS



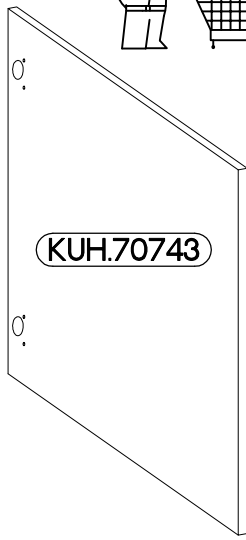
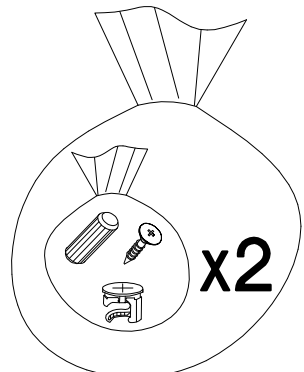
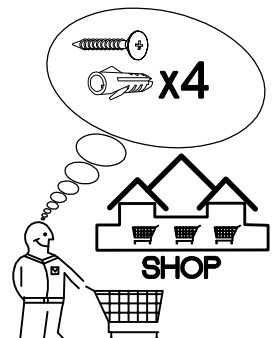
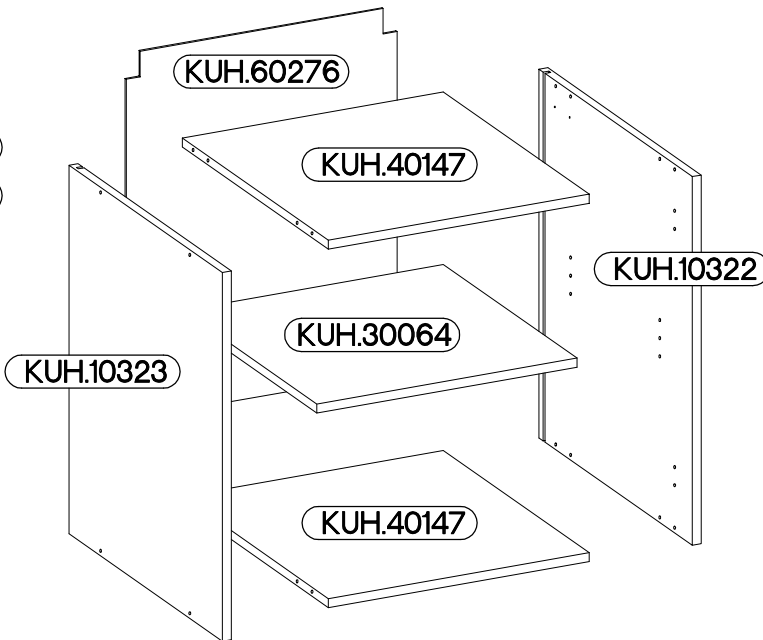


**SAFADO / MARLEEN**

84-170-...  
84-176-...  
84-17D-...



max. 5kg  
KUH.30064  
KUH.40147

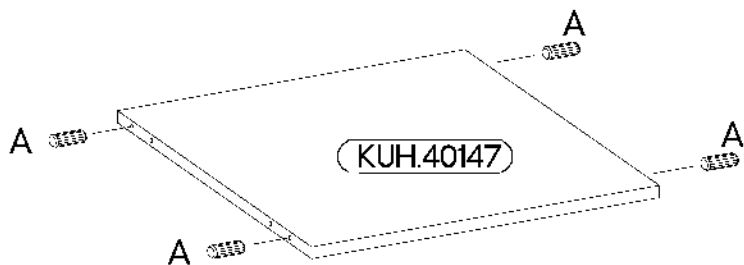
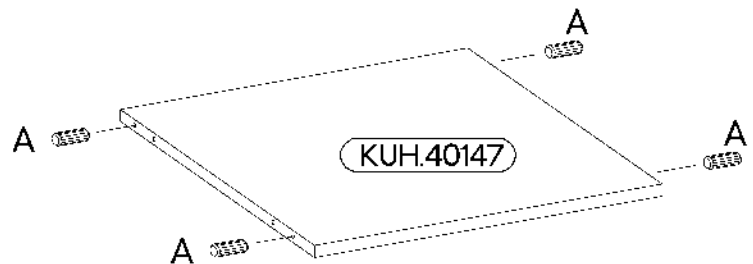
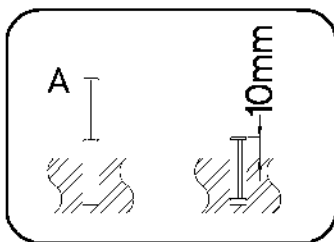
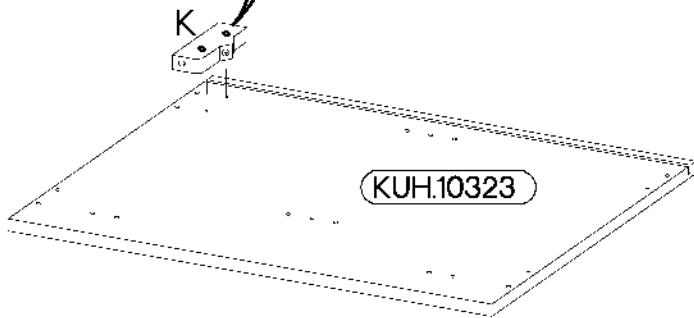
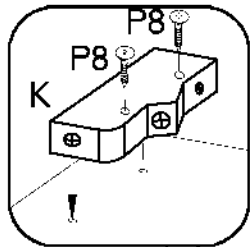
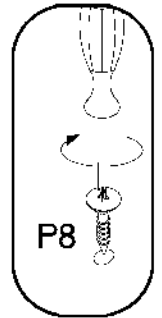
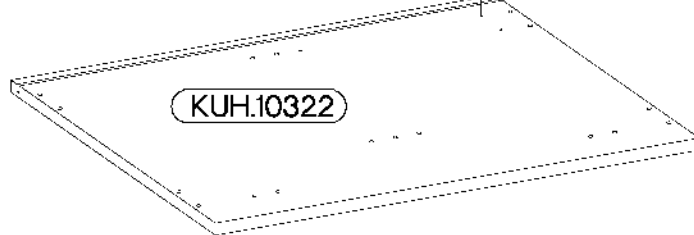
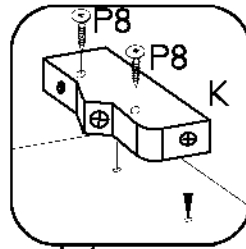
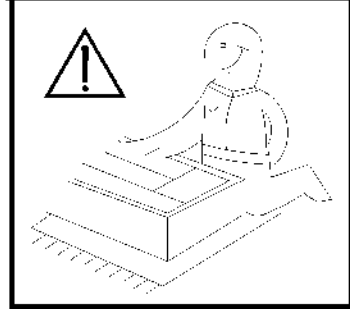
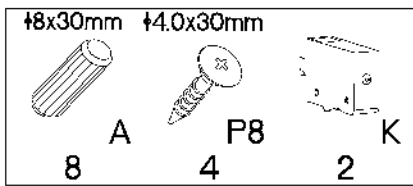


 A 8	 B 8	 E1 8	 HG 2	 J3 4	 K 2
 K16 2	 O 1	 P5 4	 P7 8-10	 P8 4	 P11 3
		 L=495mm 1			

Colli	Spare Part	Dimension
Colli 4/6	KUH.10322	650x330x16
	KUH.10323	650x330x16
	KUH.30064	466x288x16
	KUH.40147 x2	467x314x16
	KUH.60276	646x485x2,5
	KUH.70743	644x496x16

x2

**ISM-KUH-01605**



2

6,4 x 50mm



4

B



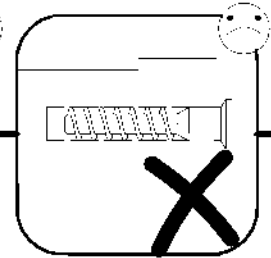
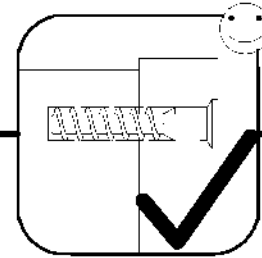
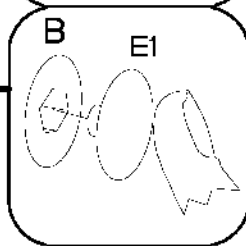
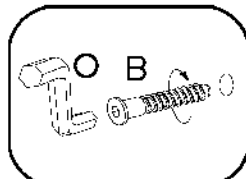
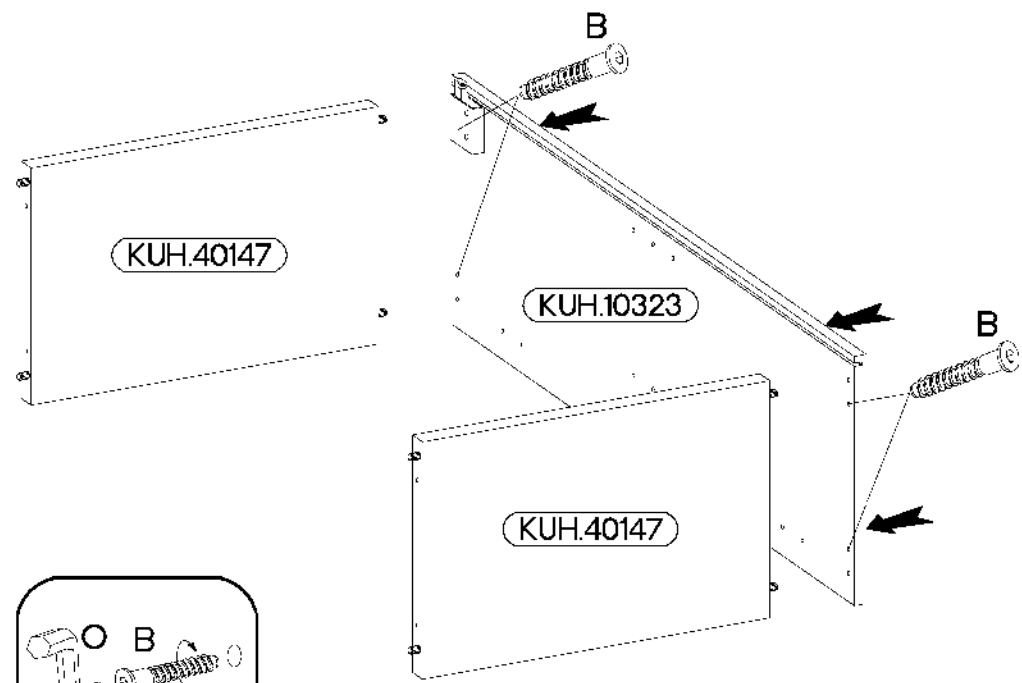
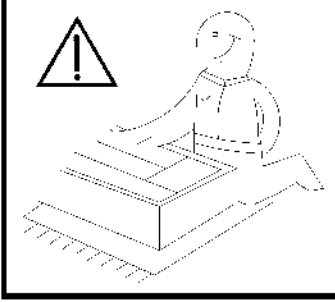
1

O

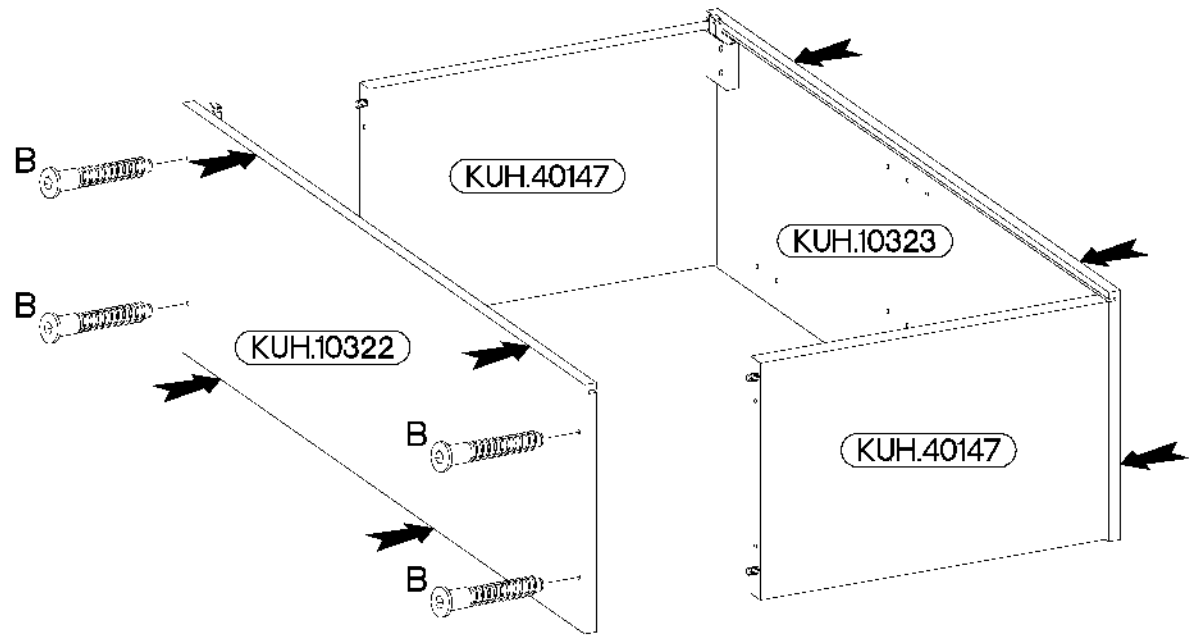


4

E1



3



6,4 x 50mm



4

B



1

O

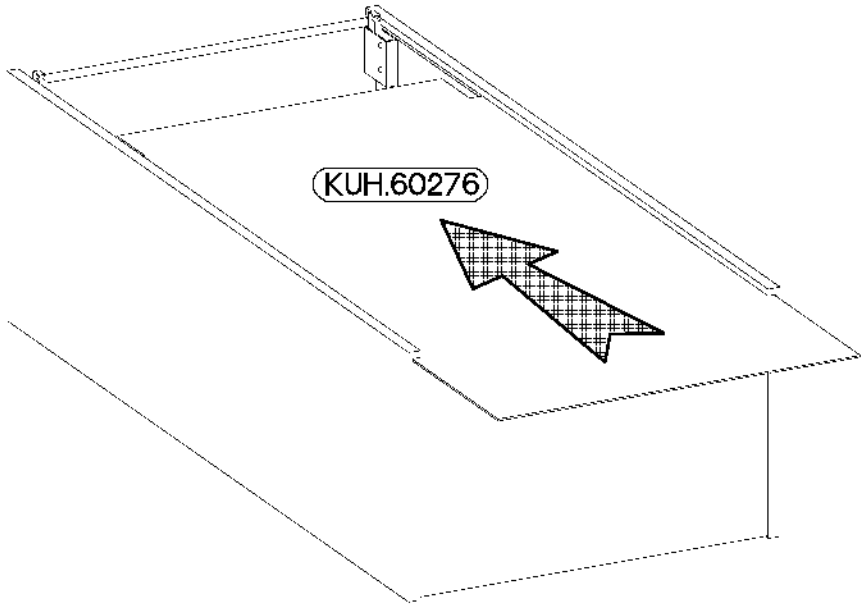
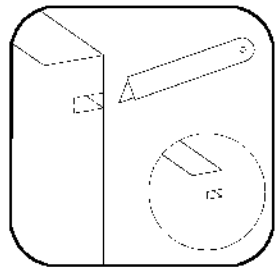
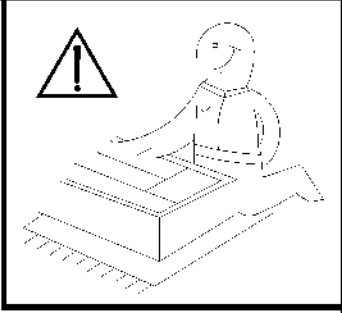


4

E1



4



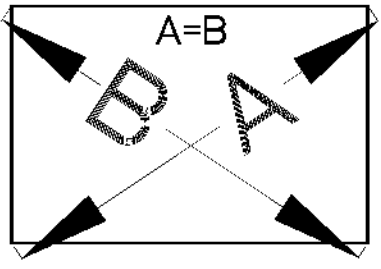
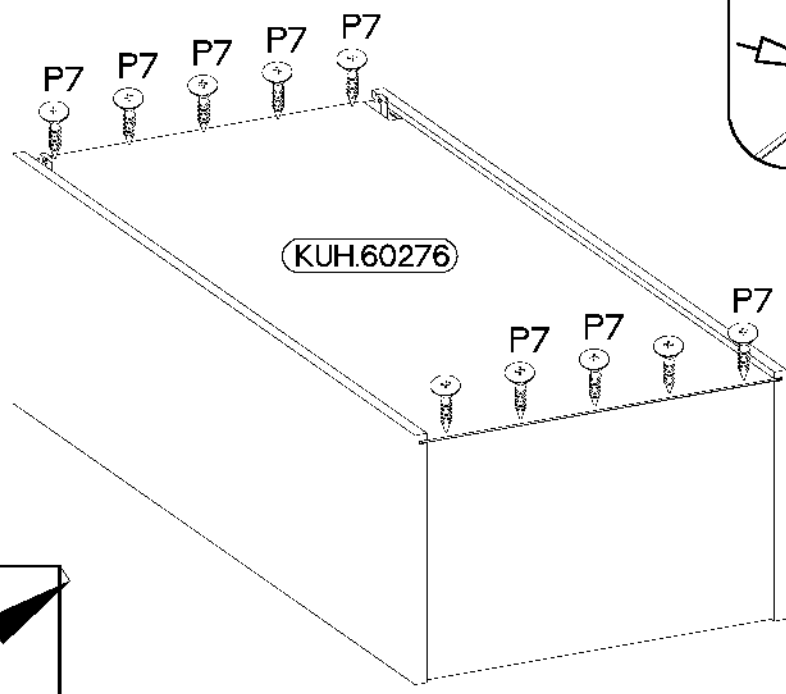
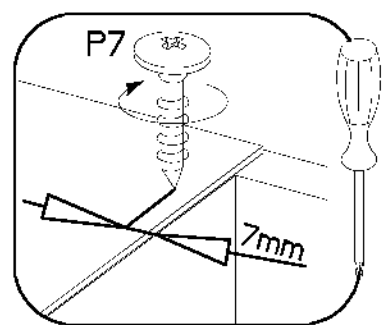
5

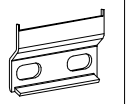
±3.0x20mm



P7

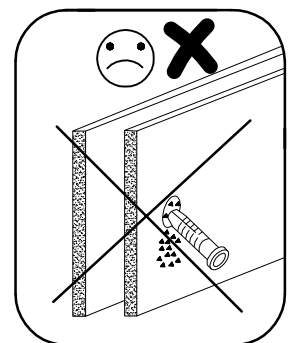
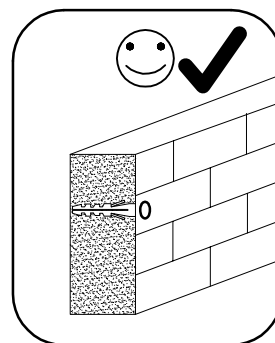
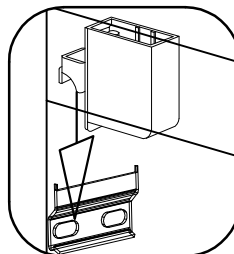
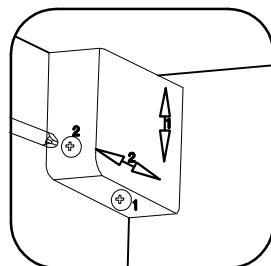
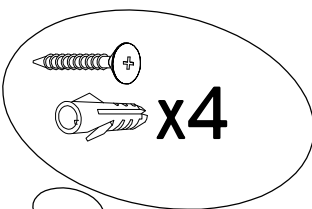
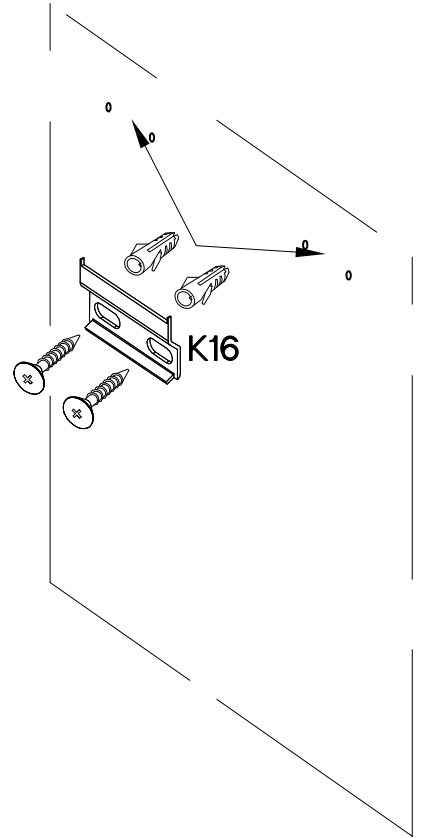
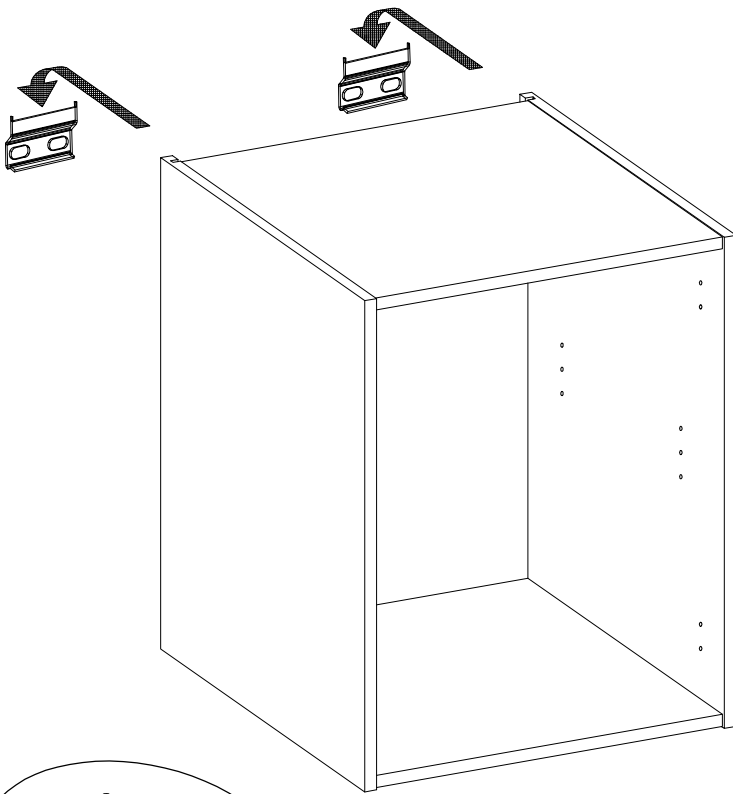
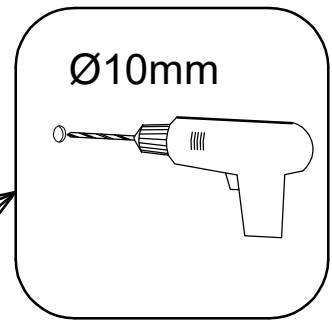
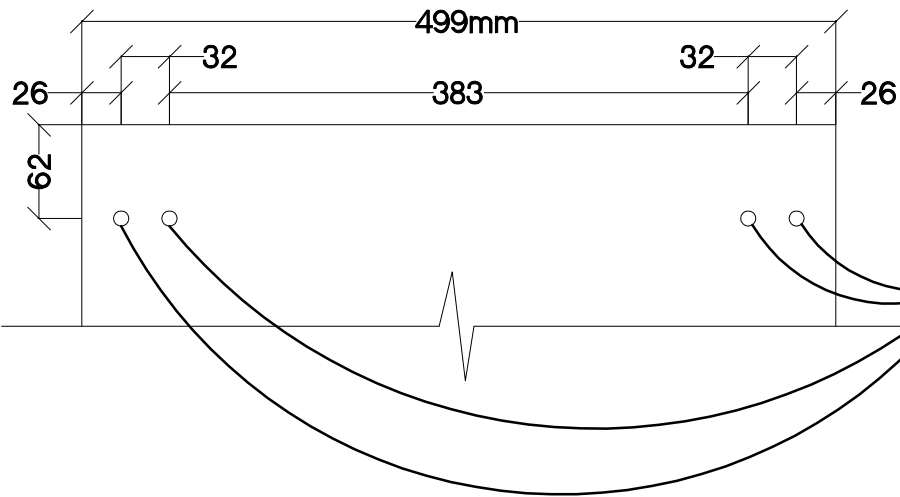
8-10





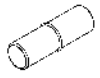
K16

2



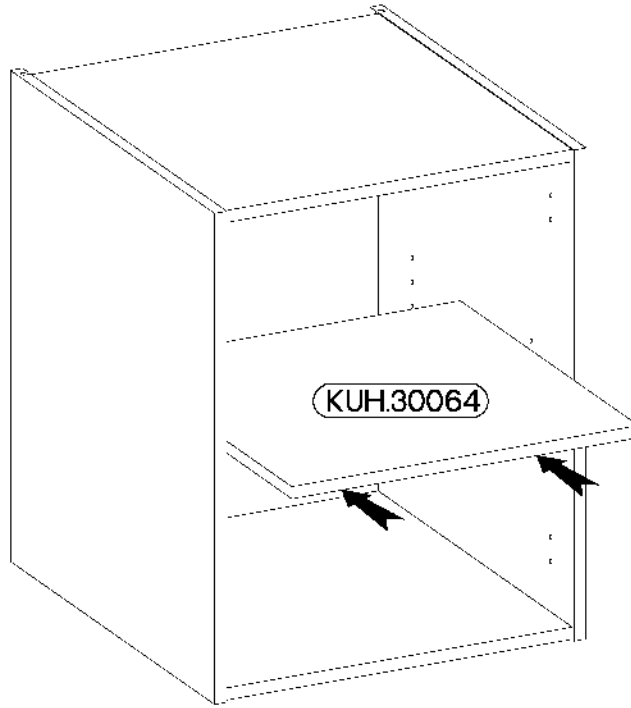
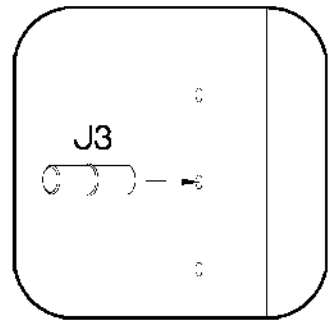


±5/16mm



J3

4



8

±35/0mm

±3.5x13mm



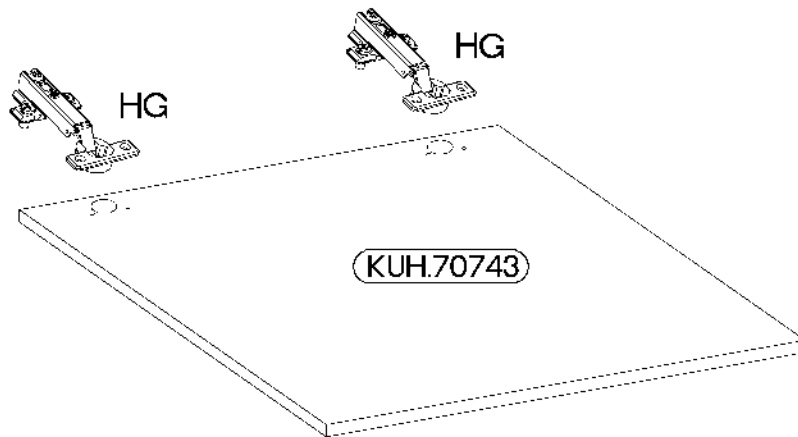
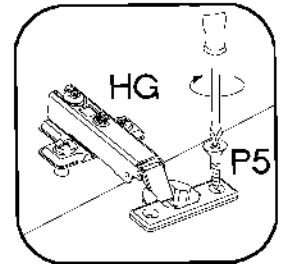
HG



2

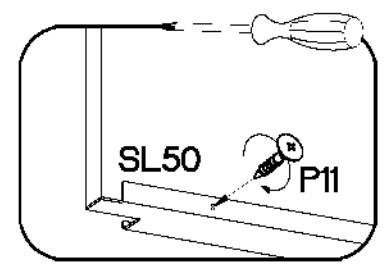
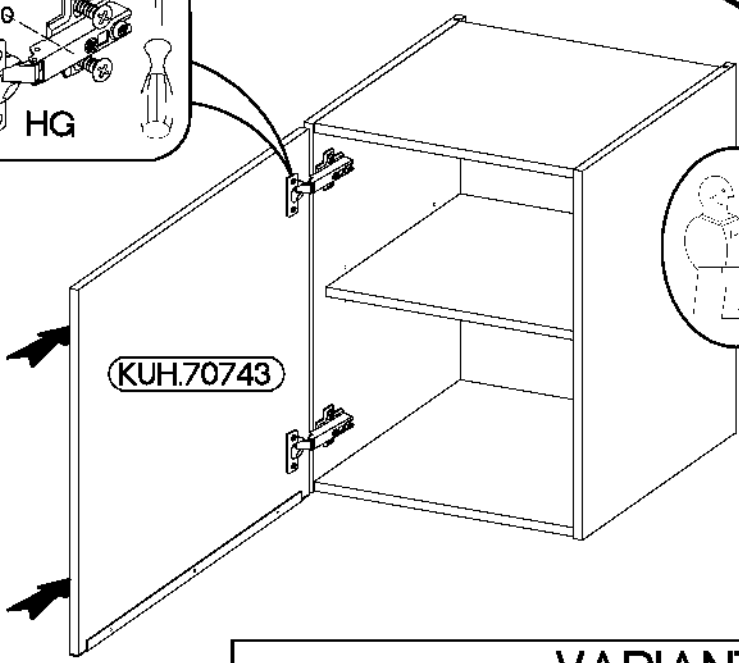
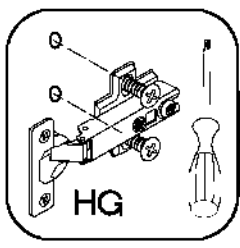
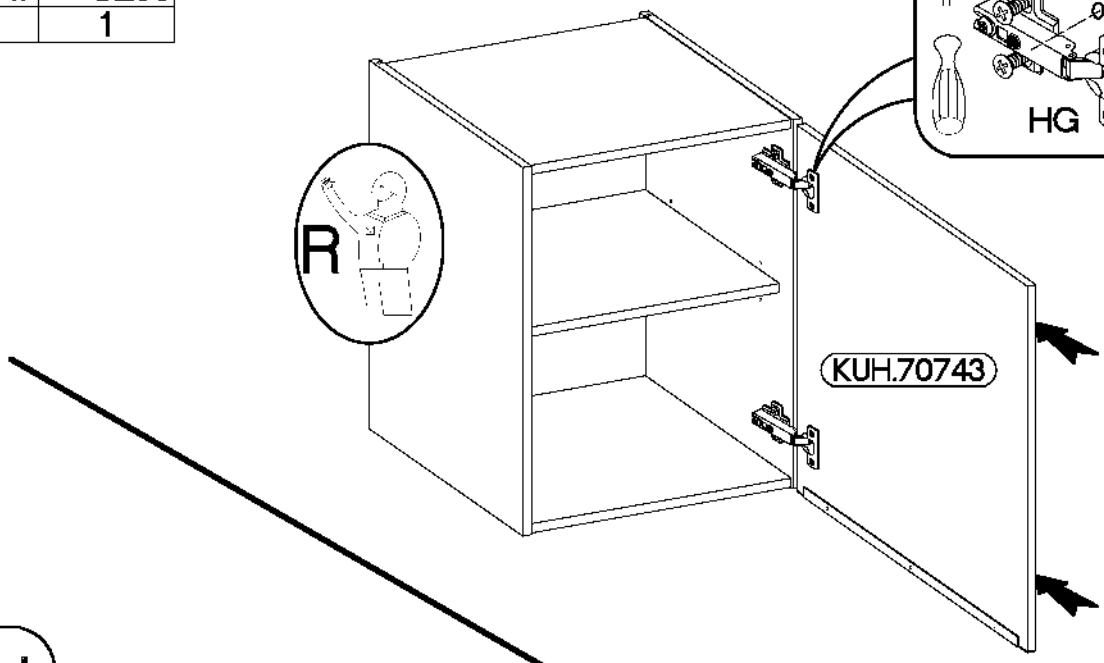
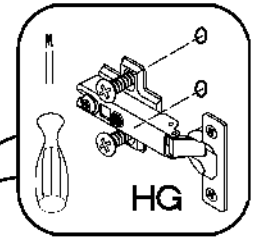


P5

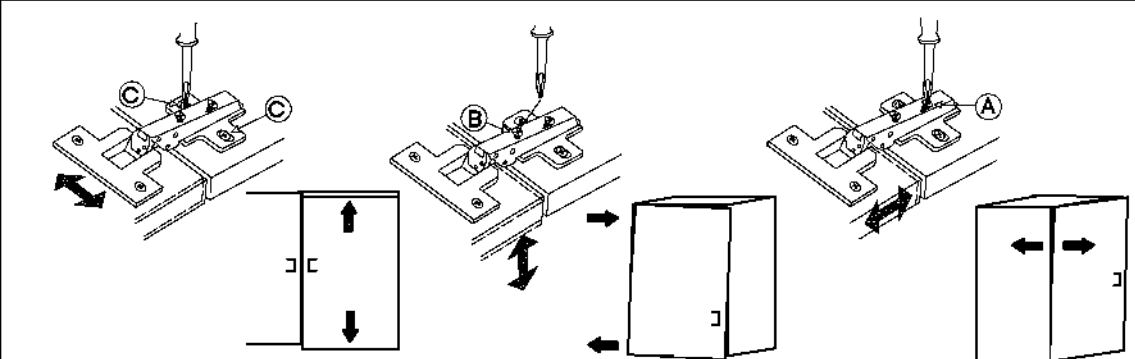
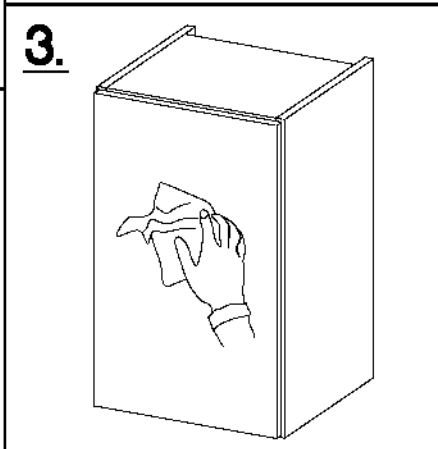
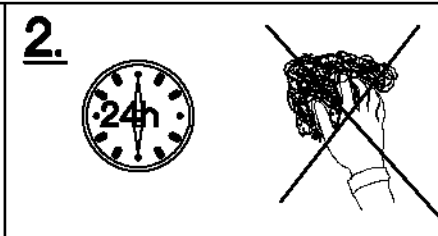
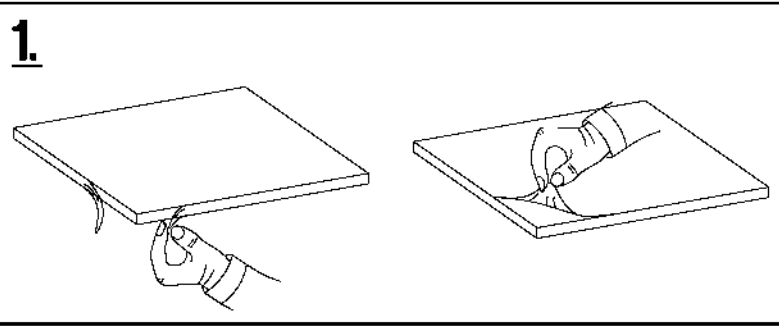
4

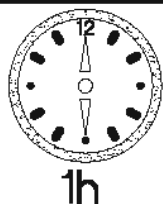
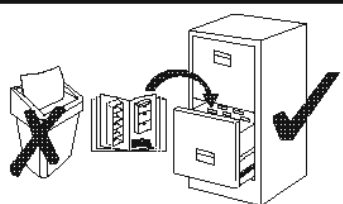
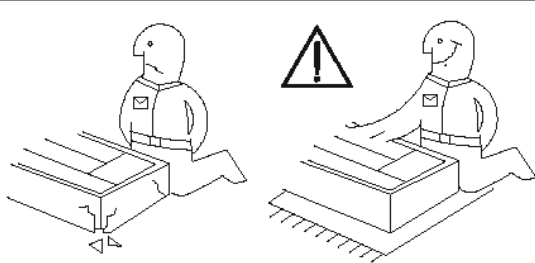
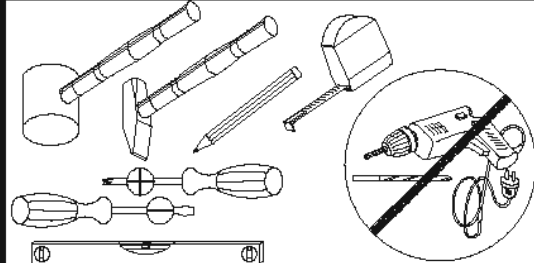
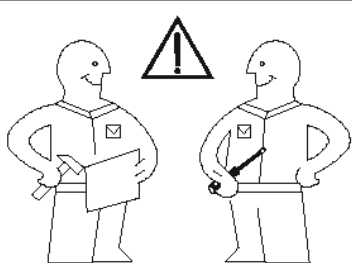


∅3.0x16mm	L=495mm
	
P11	SL50
3	1



VARIANT HIGH GLOSS





SAFADO / MARLEEN

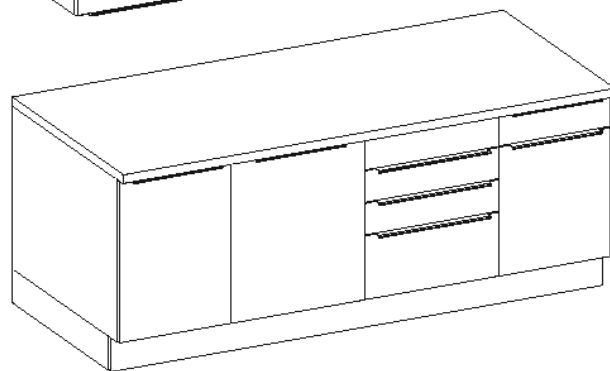
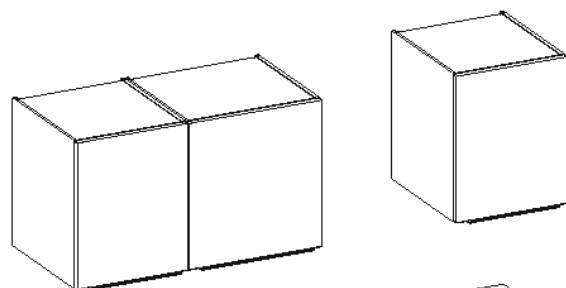
84-170-...

84-176-...

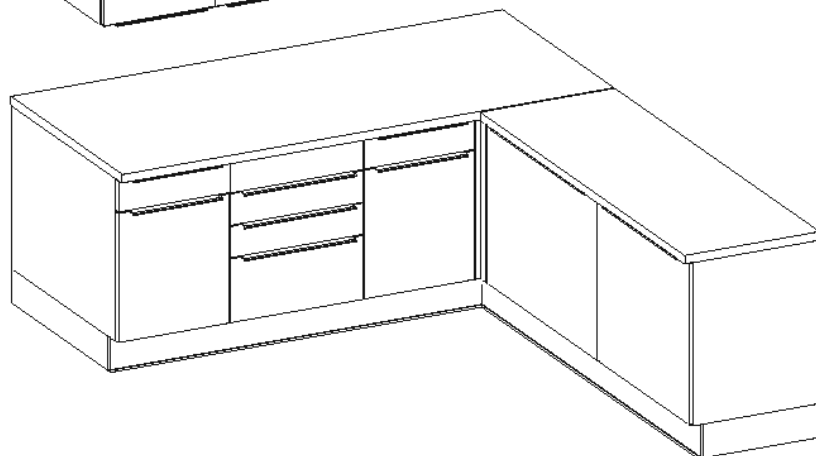
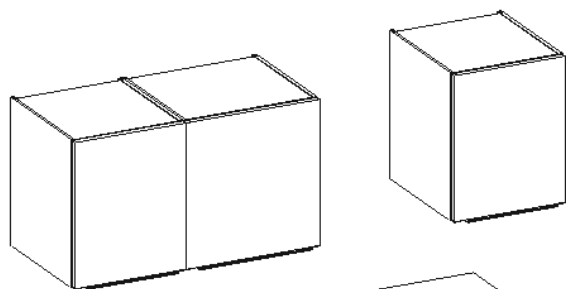
84-17F-...



**respekta®**



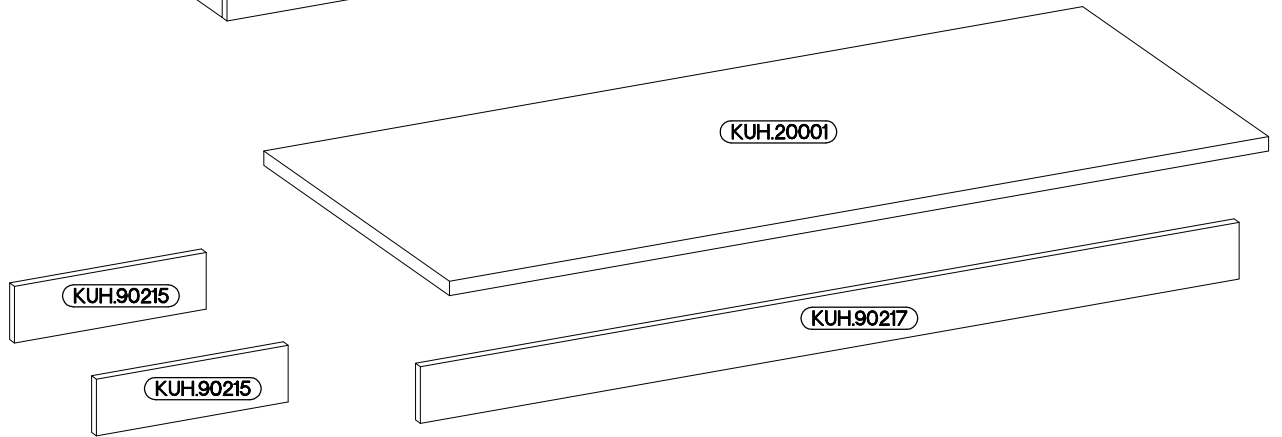
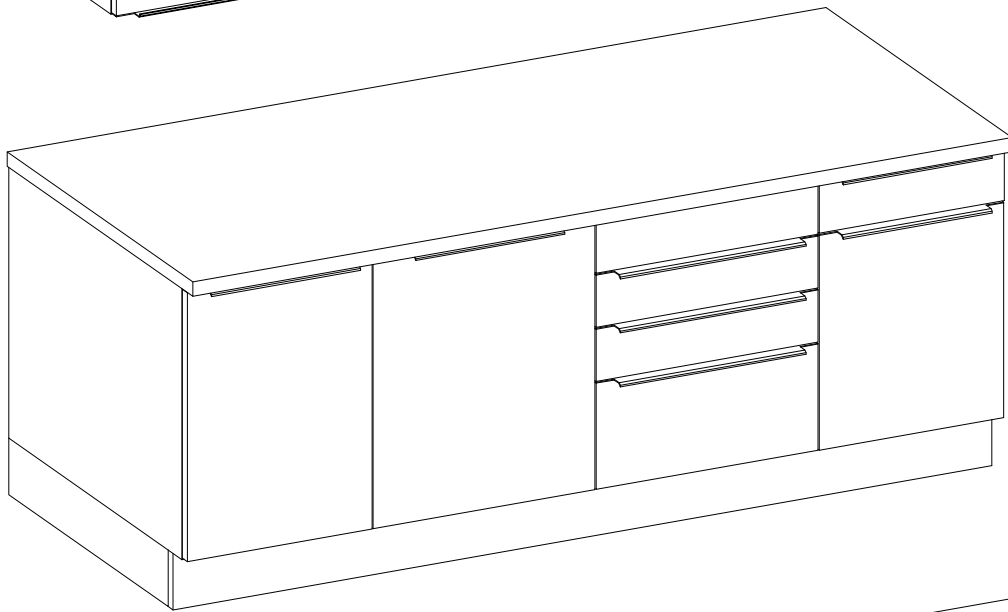
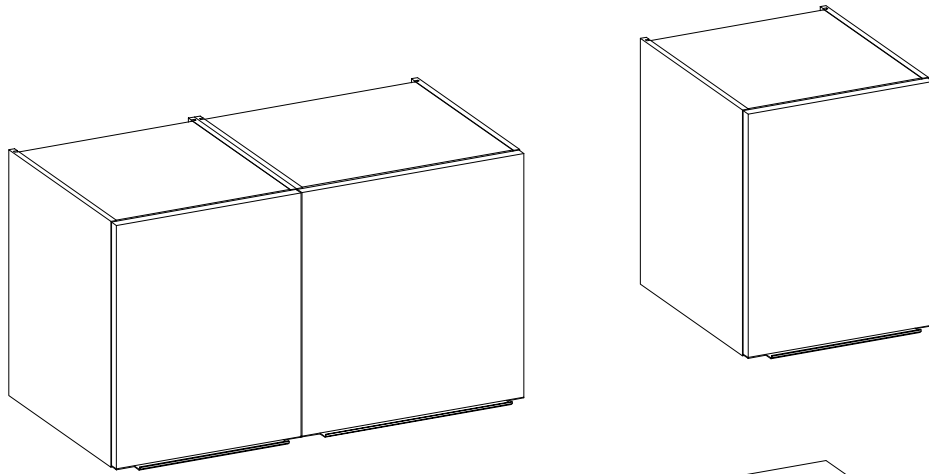
VARIANT 1



VARIANT 2

ISM-KUH-01597

# VARIANT 1



Colli	Spare Part	Dimension
Colli 6/6	KUH.20001	2200x600x38
	KUH.90215 x2	515x150x16
	KUH.90217	2199x150x16

±3.5x13mm



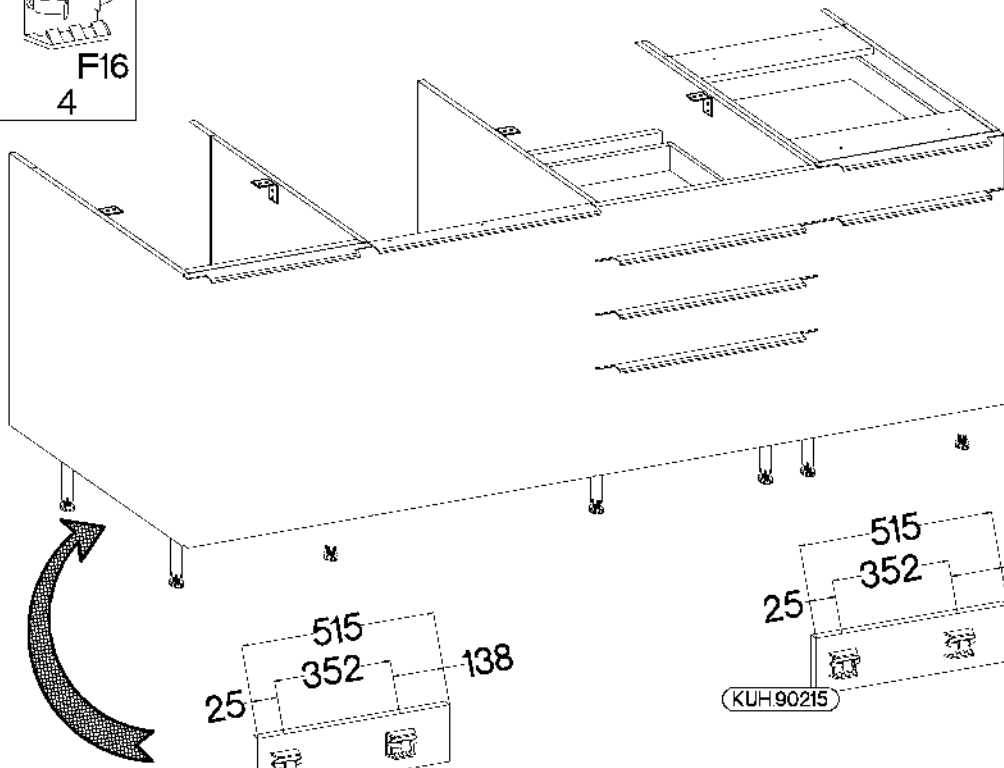
P5

8



F16

4

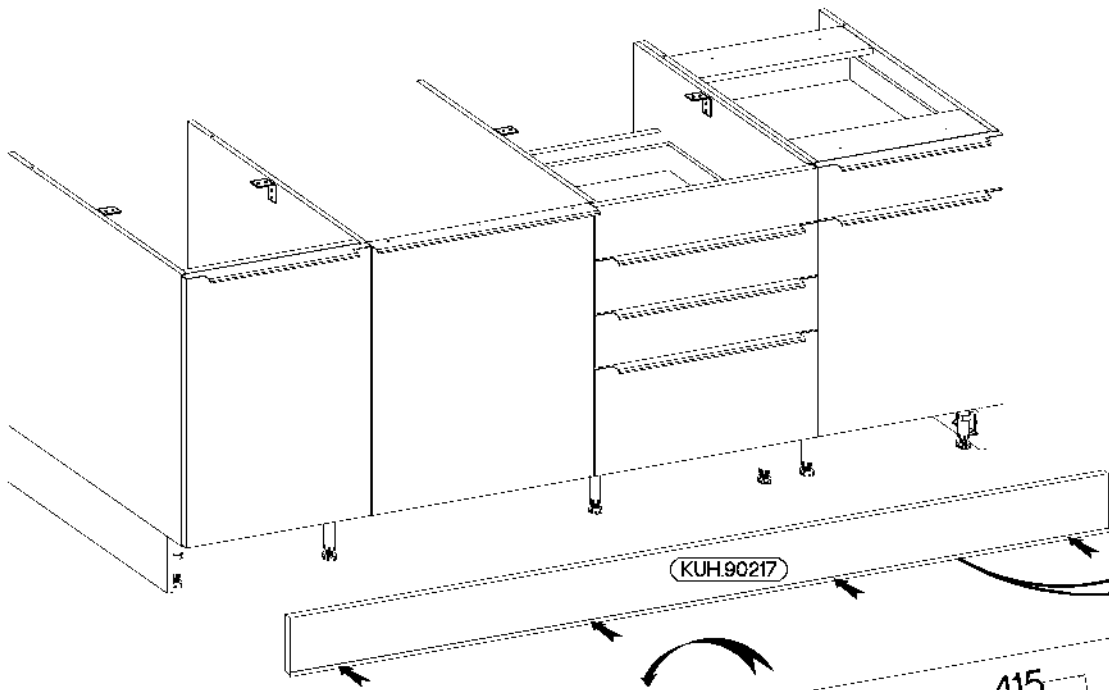


KUH.90215

KUH.90215

2

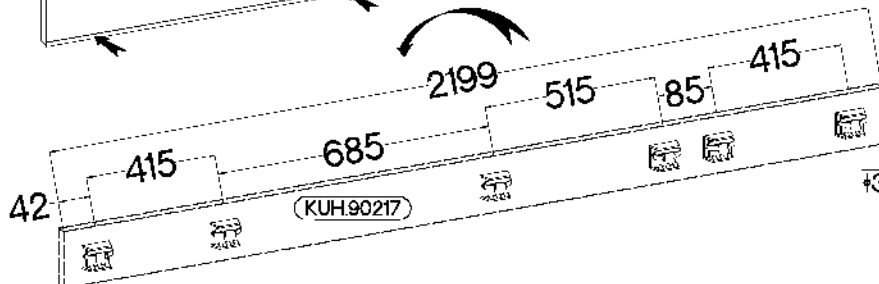
- 1.
- 2.
- 3.
- 4.



KUH.90217

KUH.90217

L35



KUH.90217

±3.5x13mm



P5

12



F16

6



L=2200mm

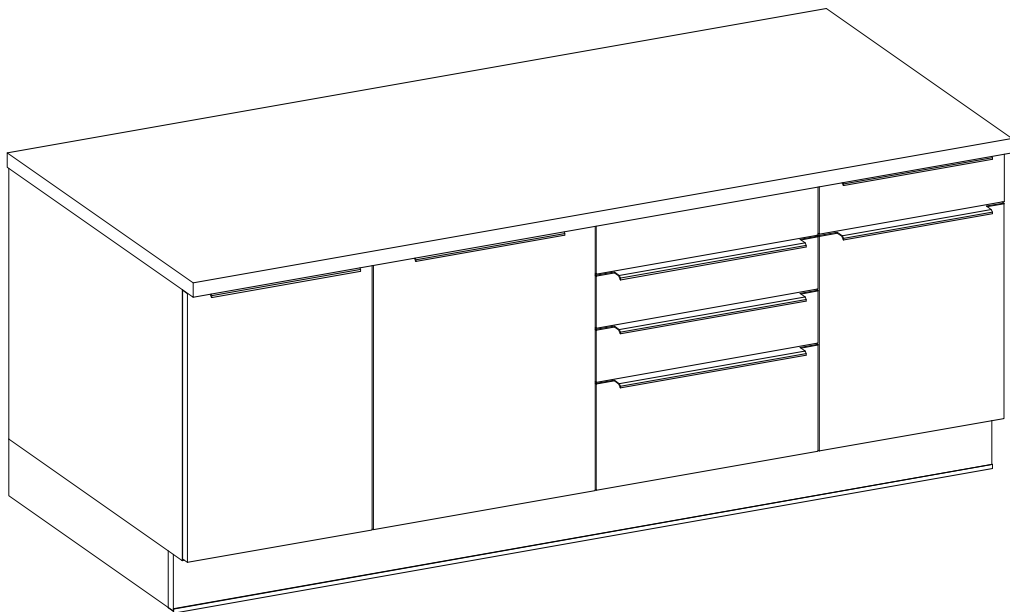
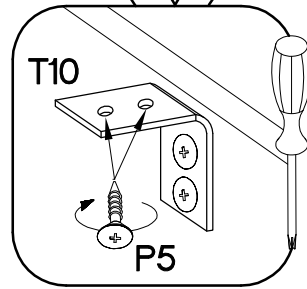
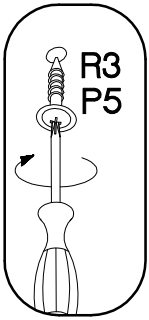
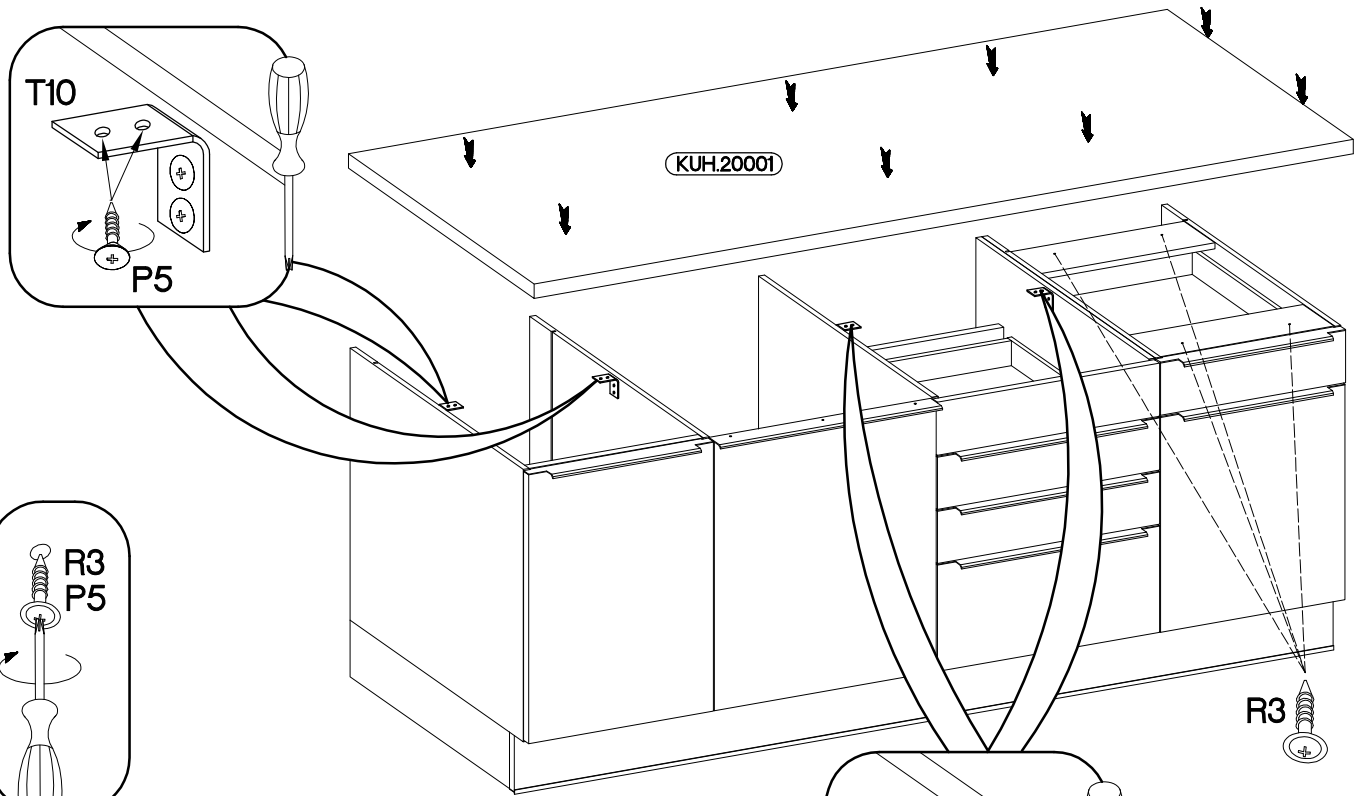


L35


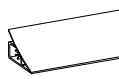
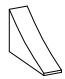
1

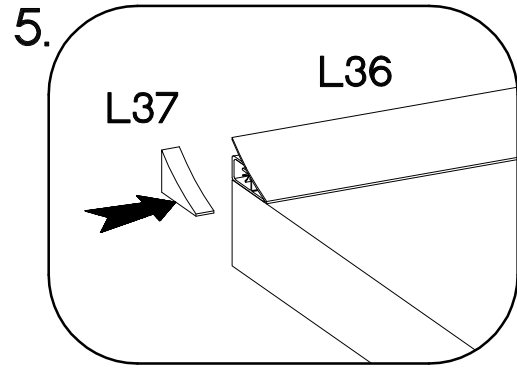
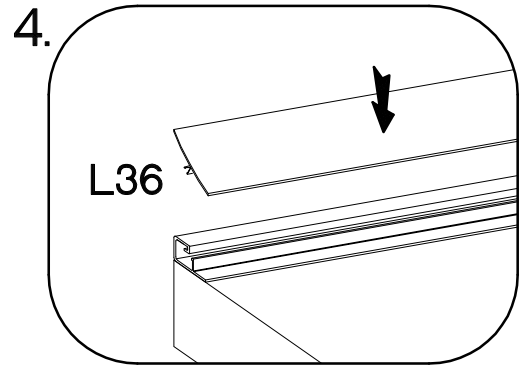
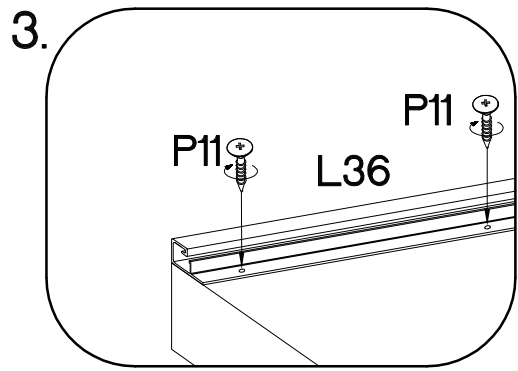
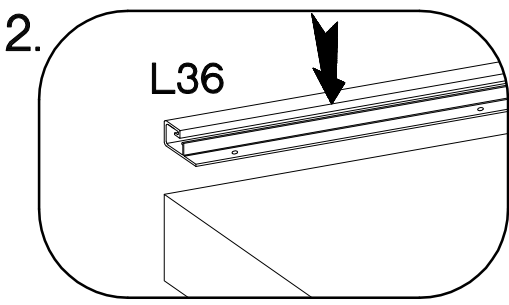
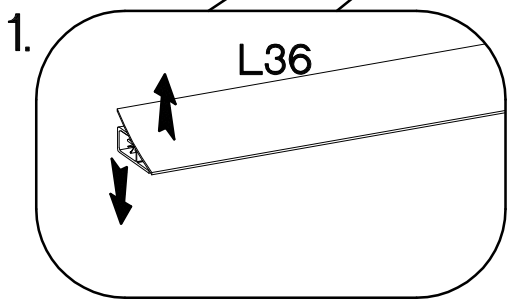
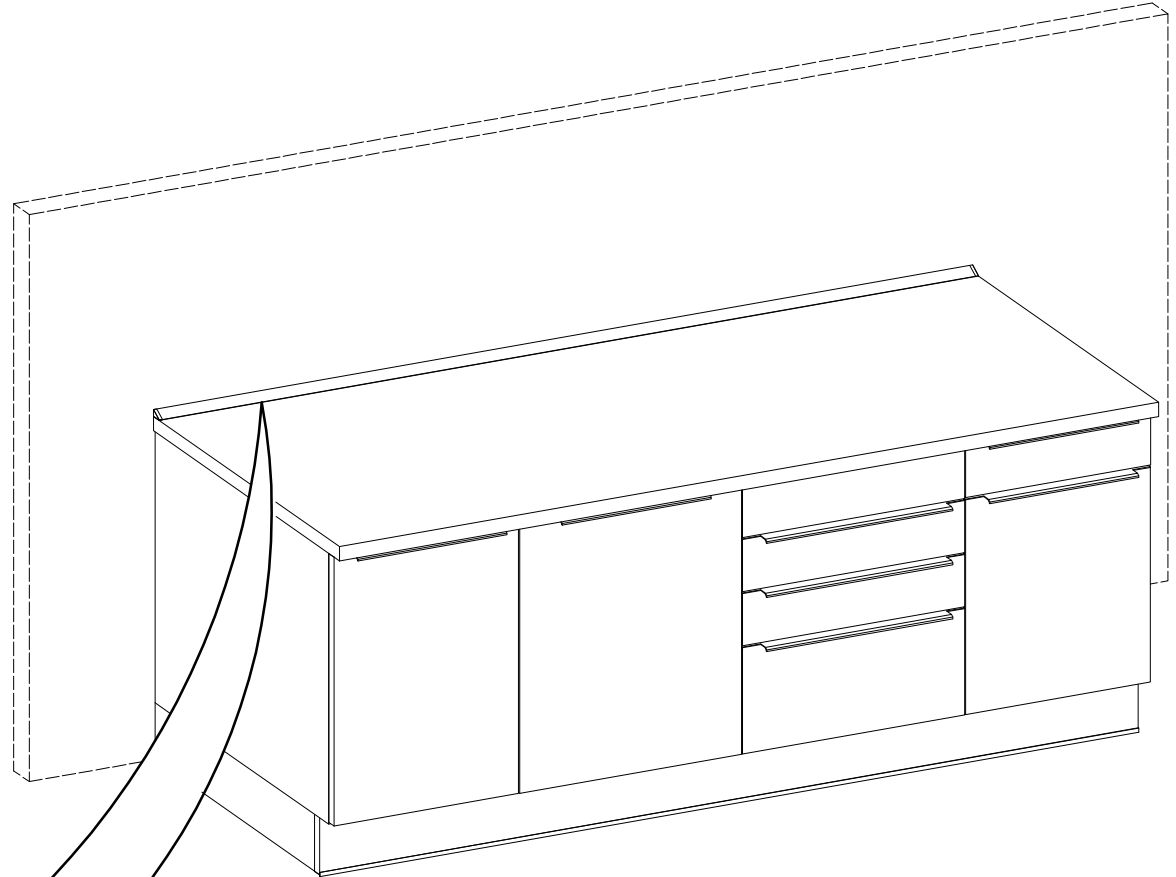
# 3

4.0x35mm	3.5x13mm
	
R3	P5
4	8

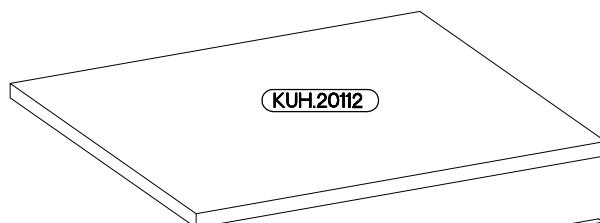
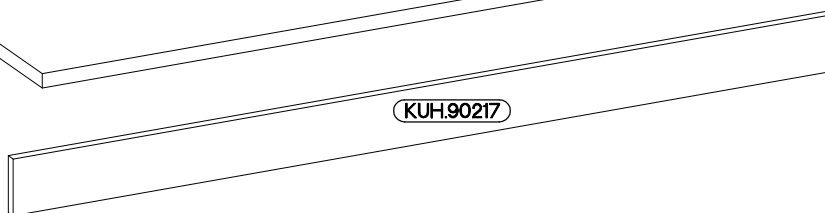
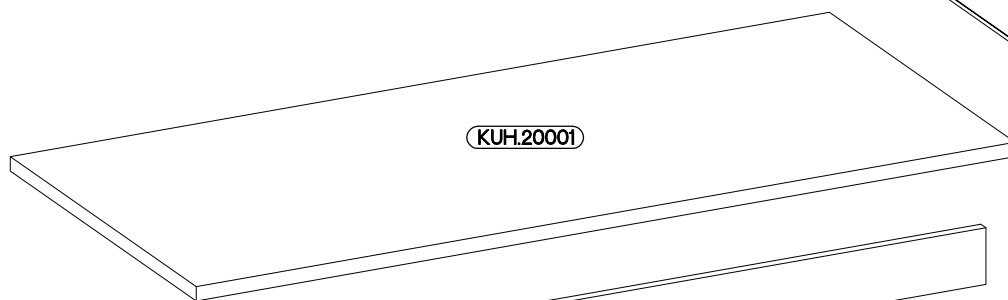
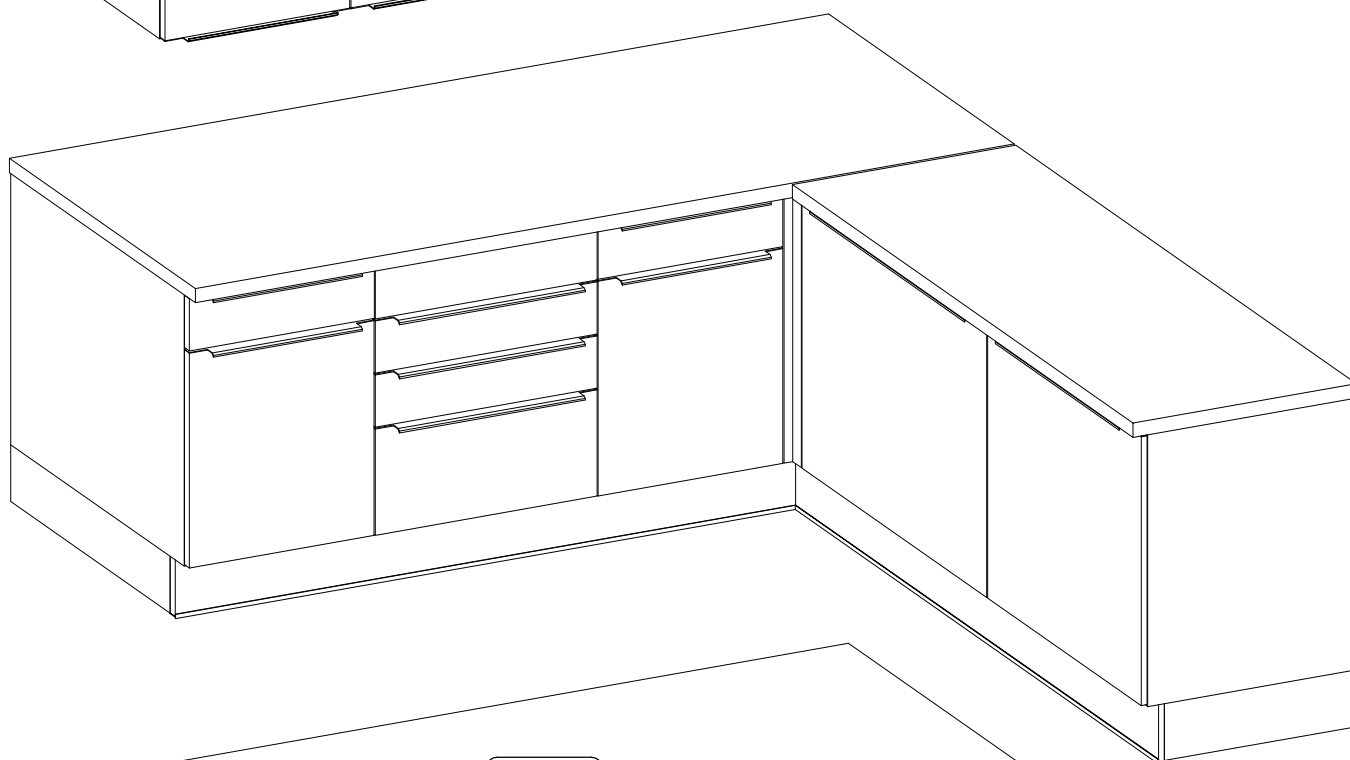
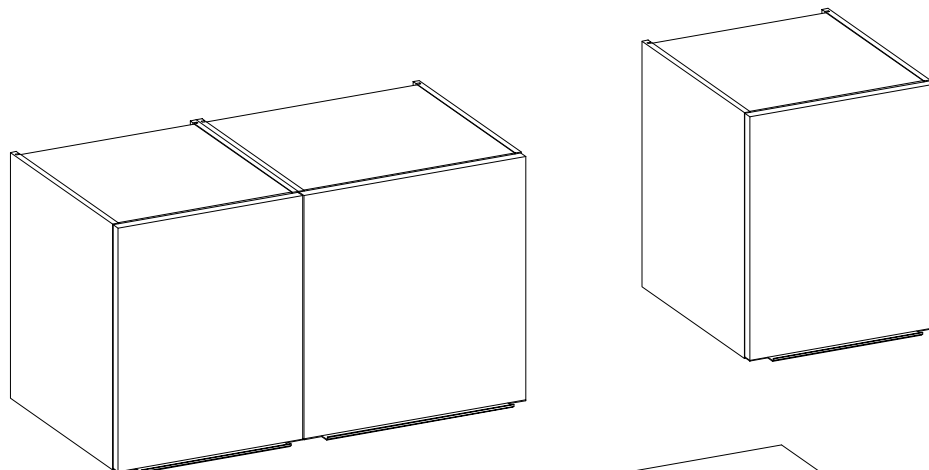




$\phi 3.0 \times 16 \text{mm}$  P11 8	L=2200mm  L36 1	 L37 2
--	--	--

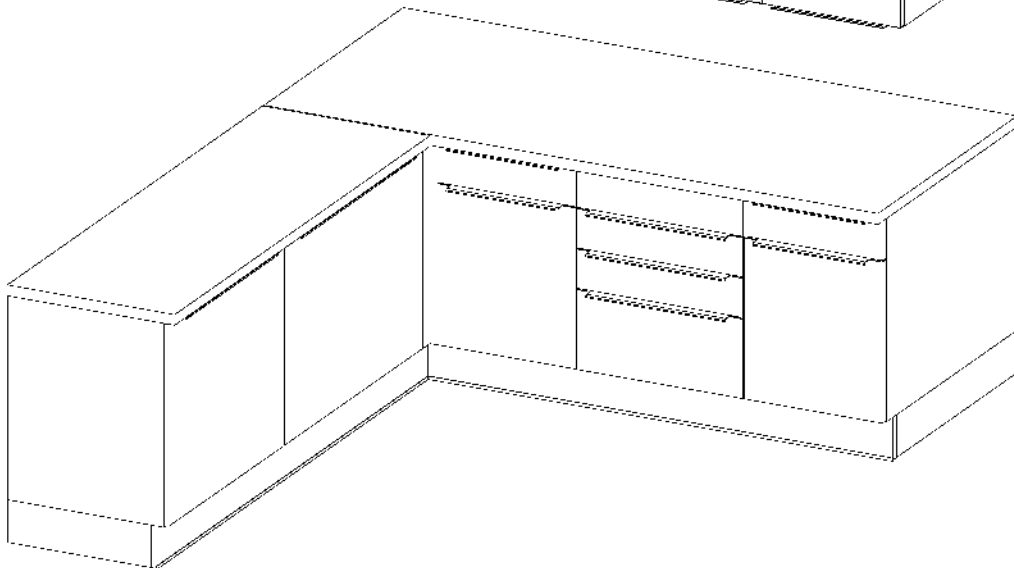
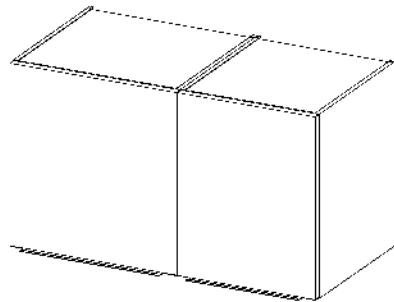
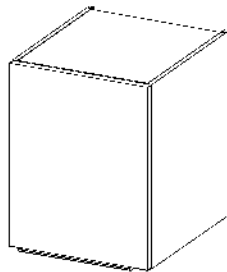
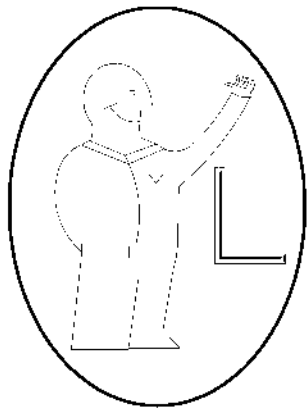
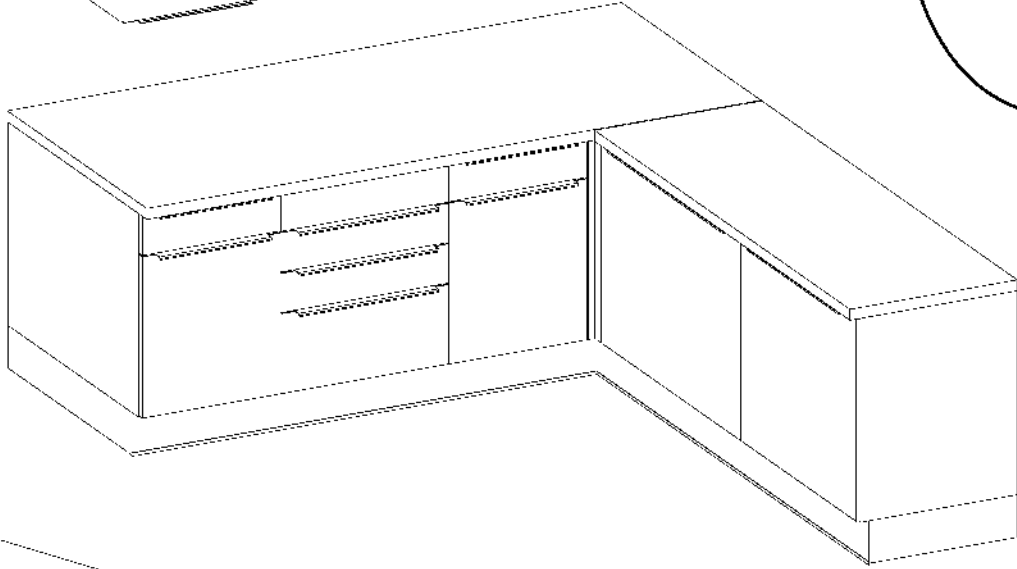
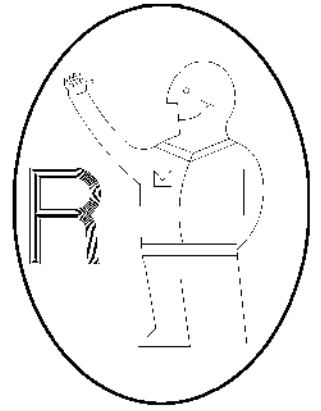
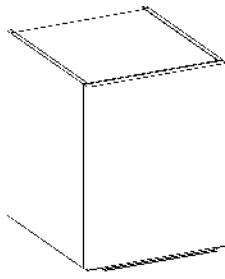
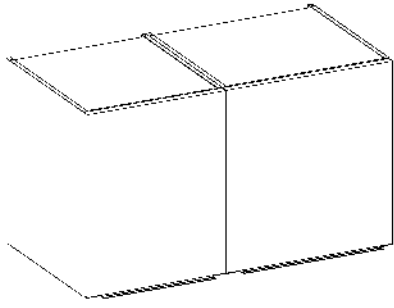


# VARIANT 2



Colli	Spare Part	Dimension
Colli 2/2	KUH.20112	1100x600x38
	KUH.90258	1172x150x16

Colli	Spare Part	Dimension
Colli 6/6	KUH.20001	2200x600x38
	KUH.90215 x2	515x150x16
	KUH.90217	2199x150x16

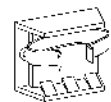


±3.5x13mm



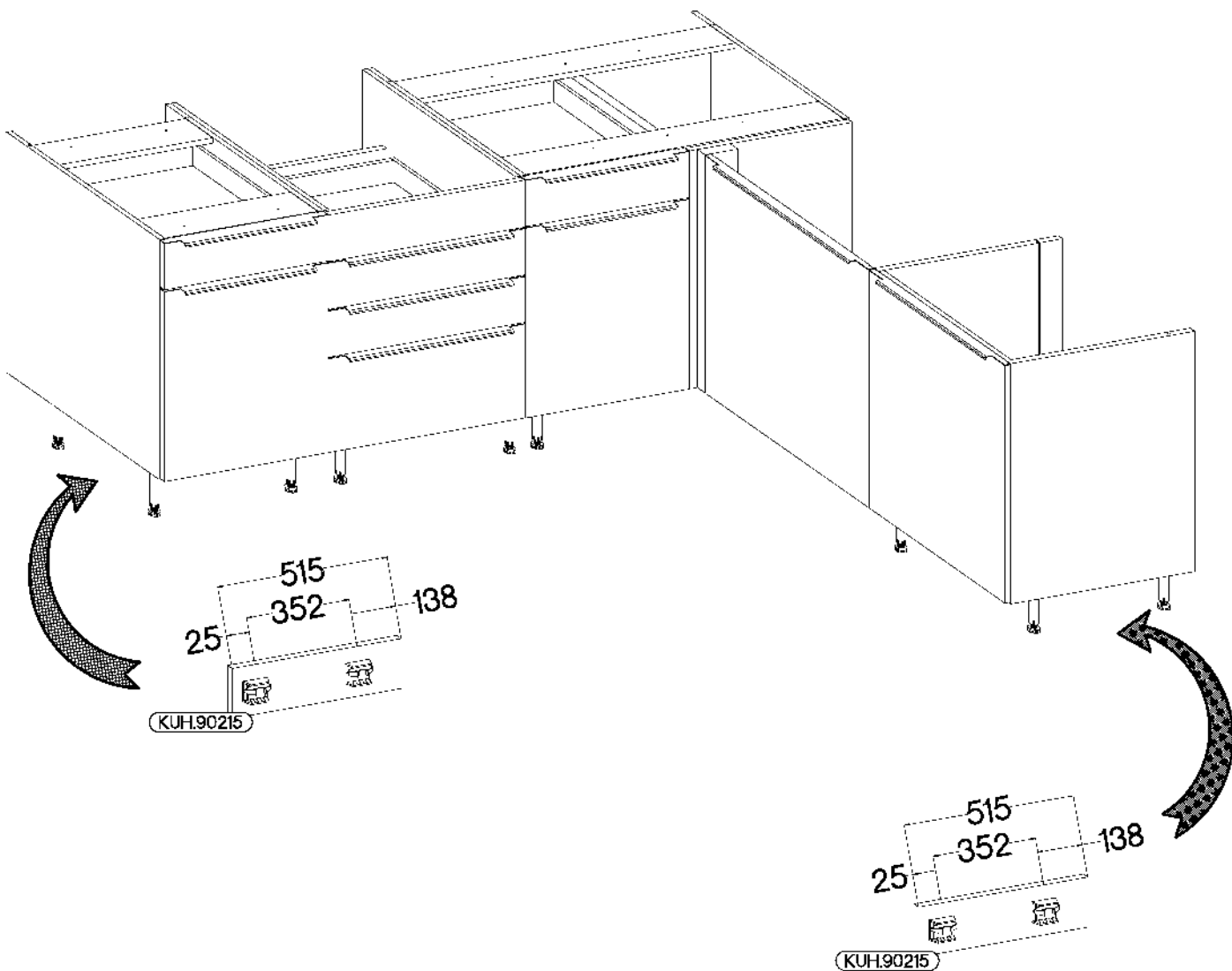
P5

8



F16

4



1. Step 1: Inserting the F16 cam bolt into the cabinet unit.
2. Step 2: Tightening the P5 screw into the cabinet unit.
3. Step 3: Pushing the F16 cam bolt into the cabinet unit.
4. Step 4: Pushing the F16 cam bolt into the cabinet unit.

3.5x13mm

L=2200mm



P5

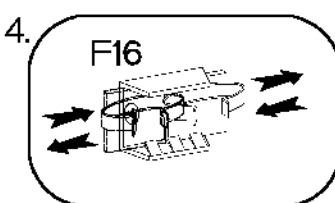
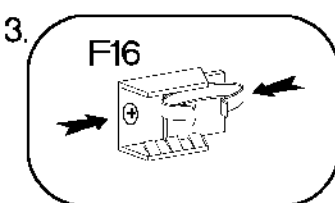
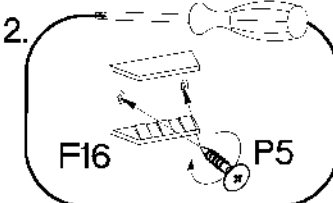
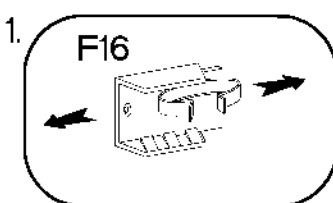
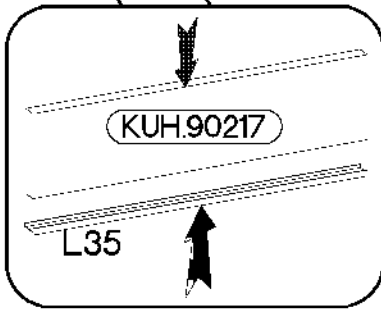
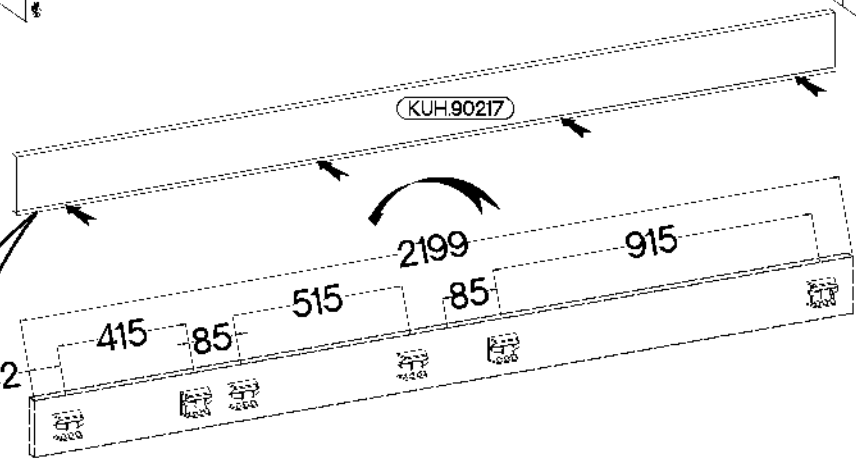
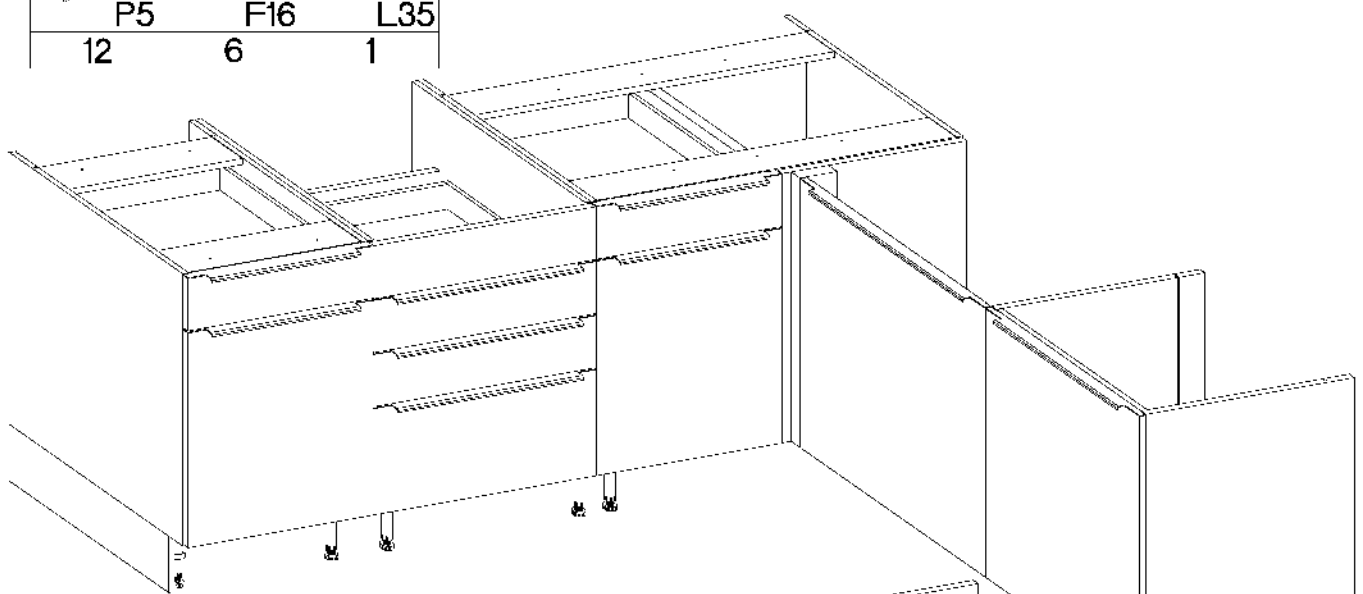
F16

L35

12

6

1



7

±3.5x13mm

L=1172mm



P5

4



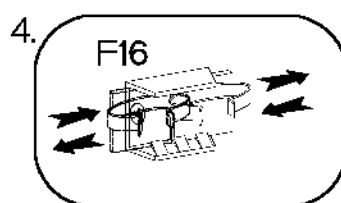
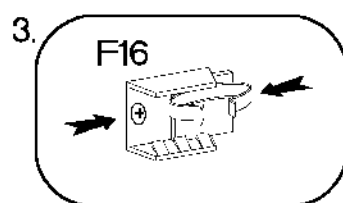
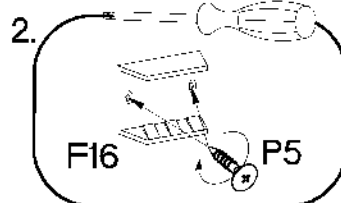
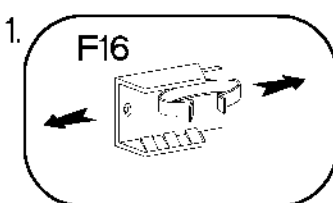
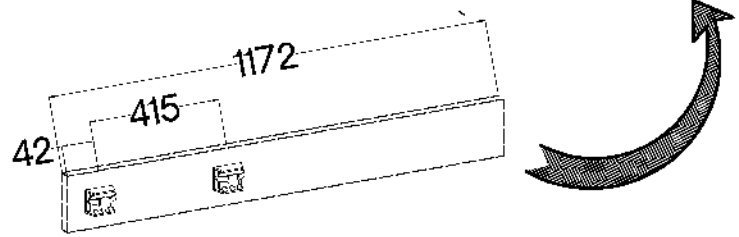
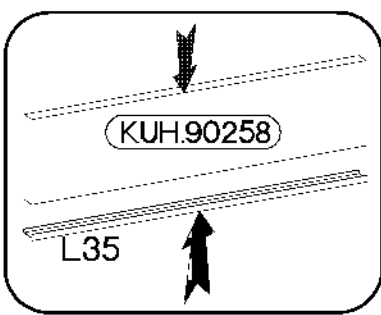
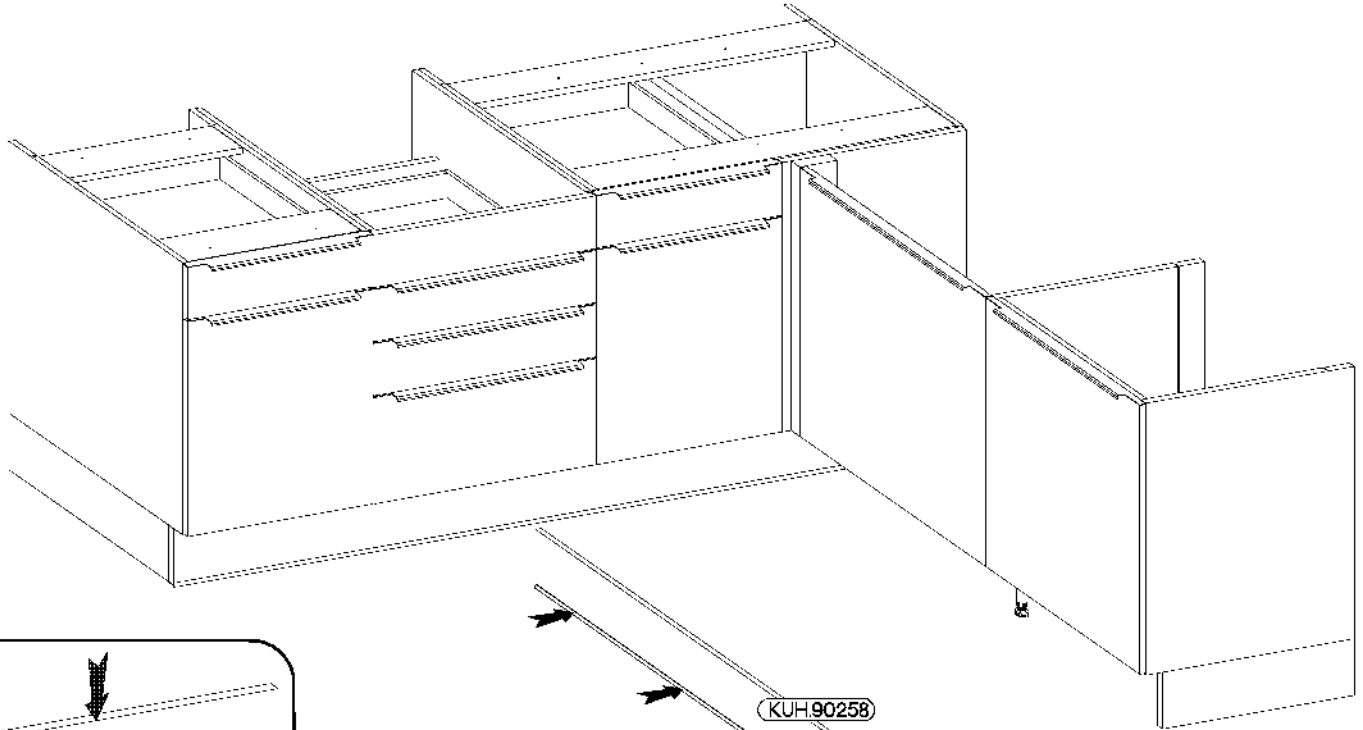
F16



2

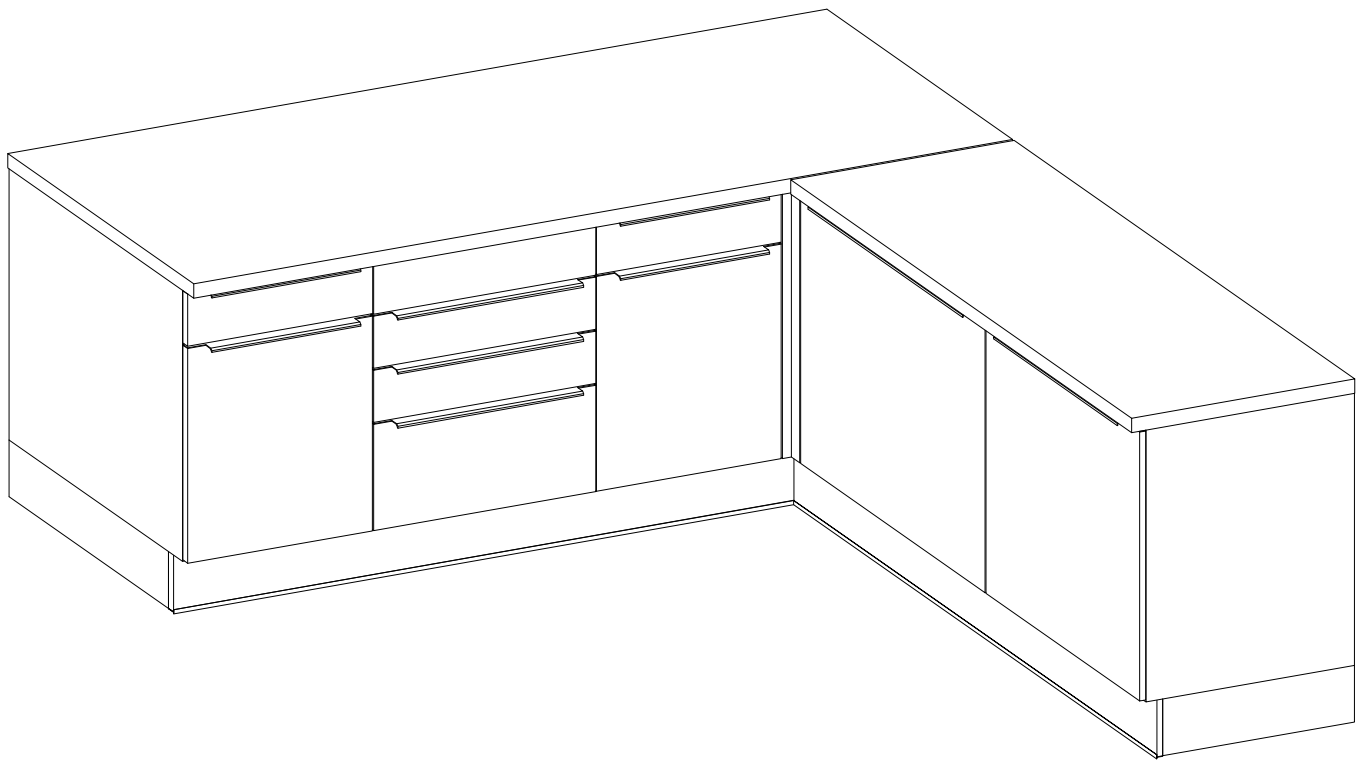
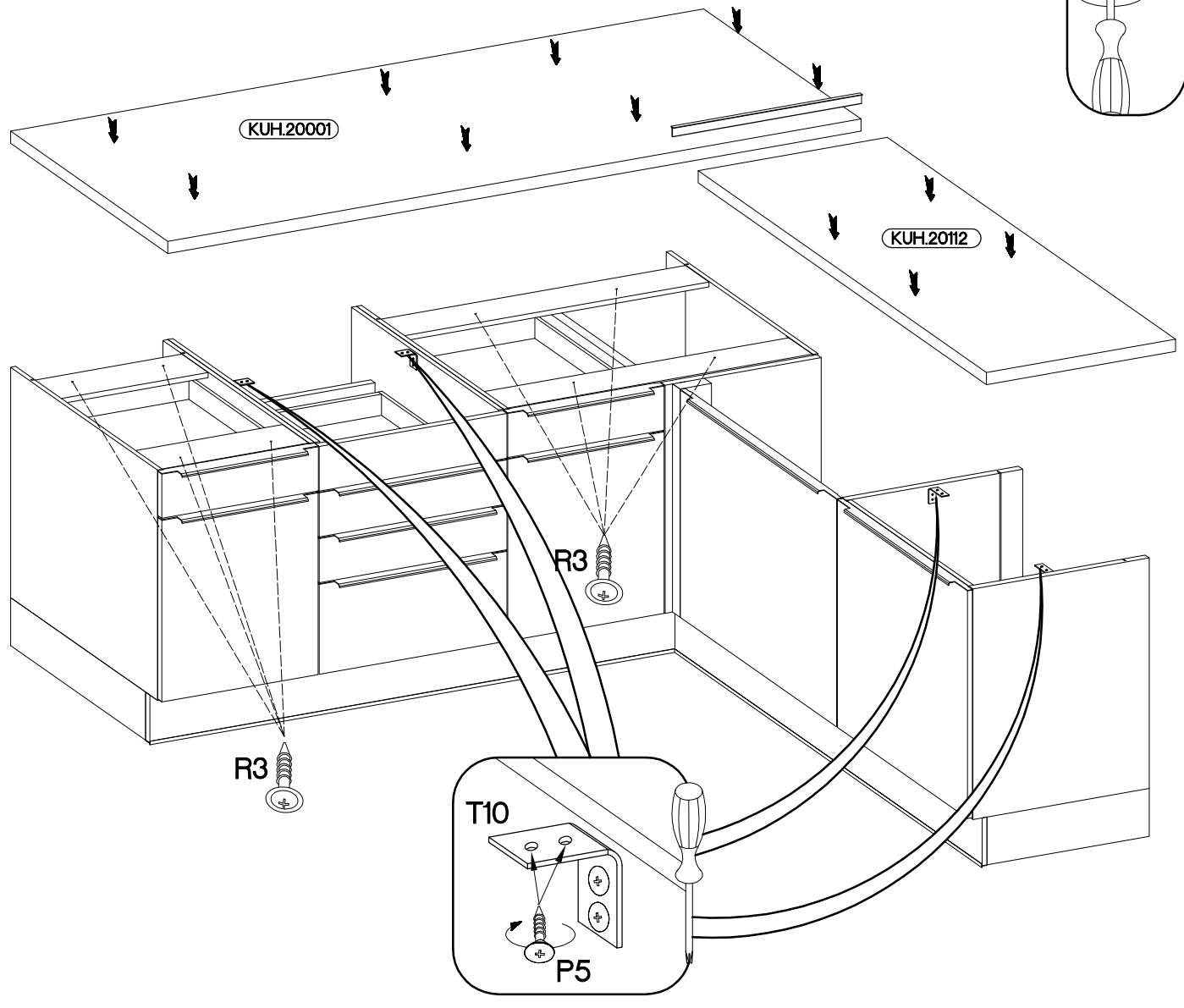
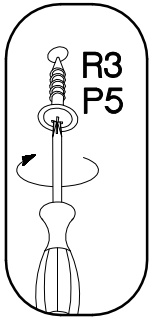


L35

1



4.0x35mm	3.5x13mm
	
R3	P5
8	8



φ3.0x16mm

L=2200mm



P11

14



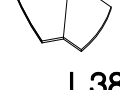
L36

2



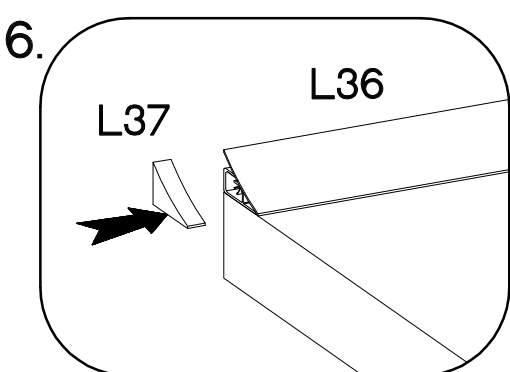
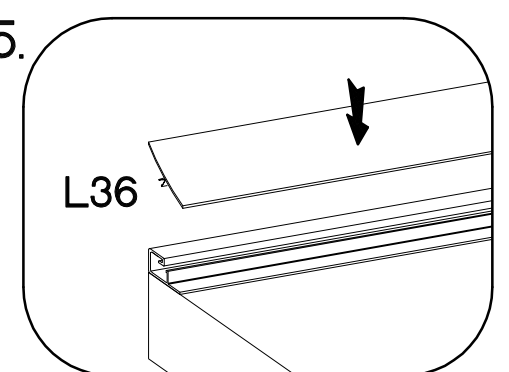
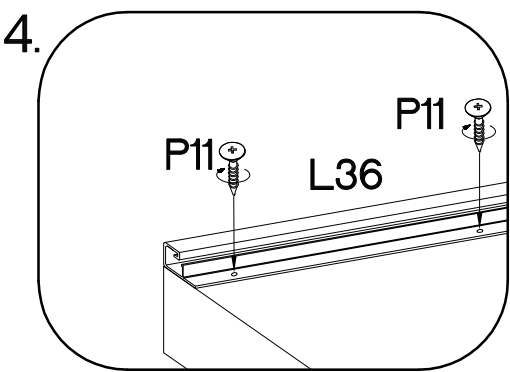
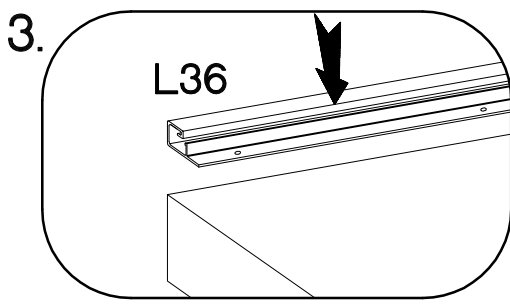
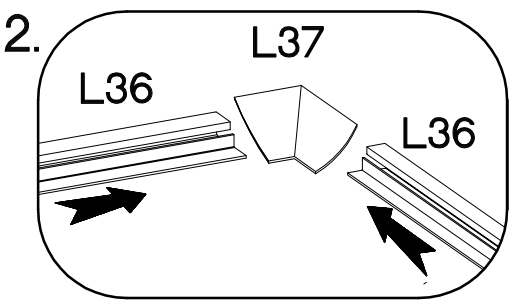
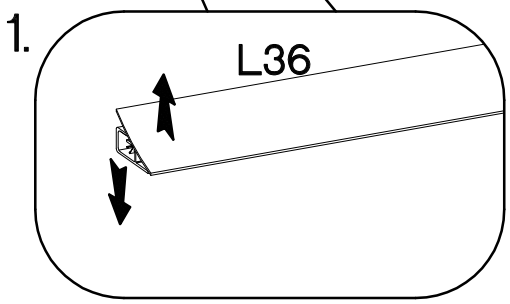
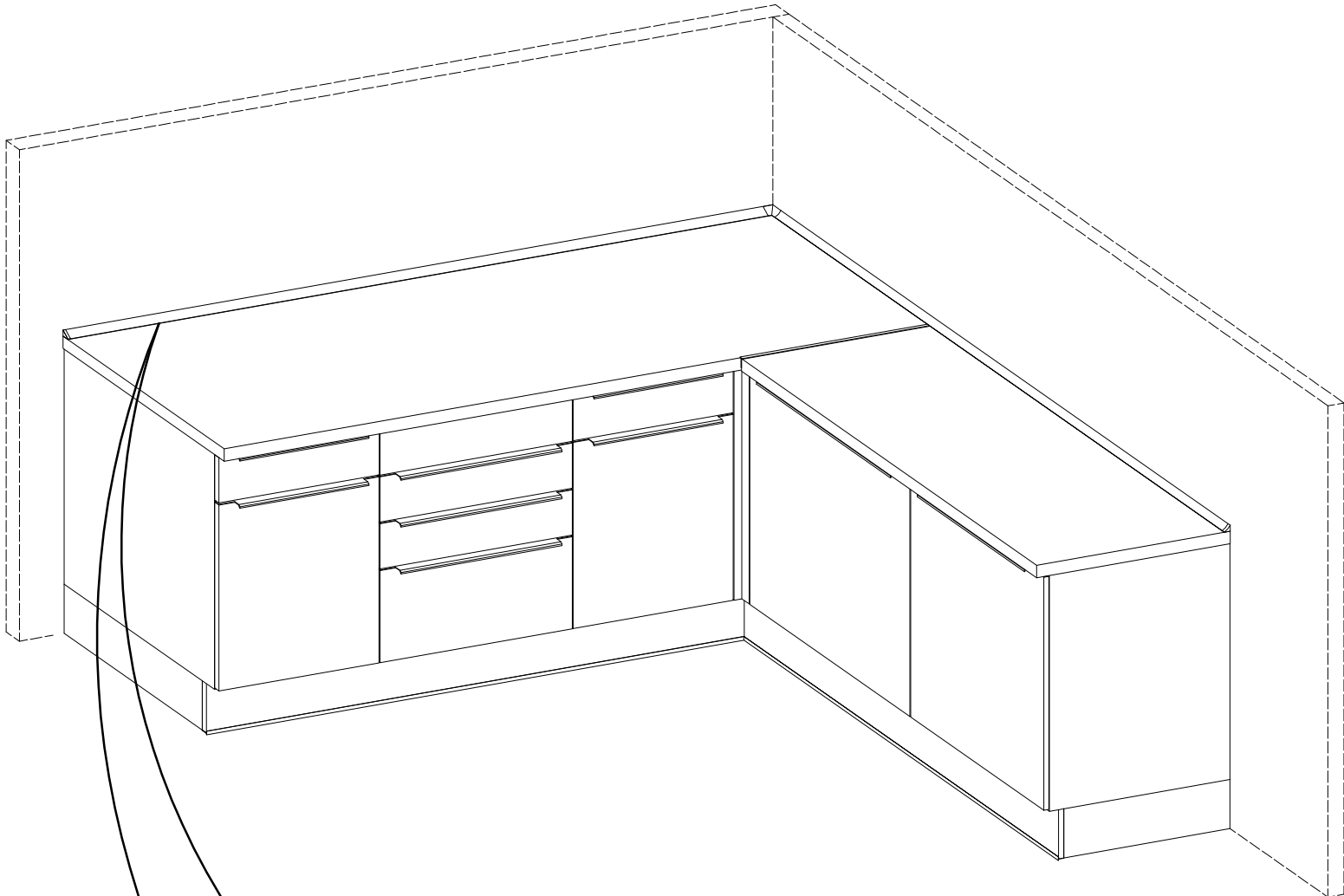
L37

2



L38

1





10

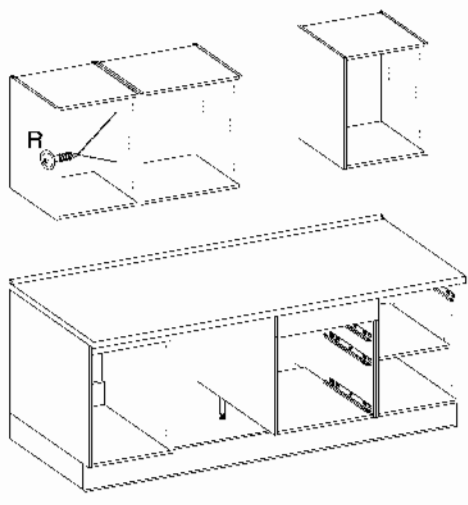
4.0x25mm



R

2

V 1



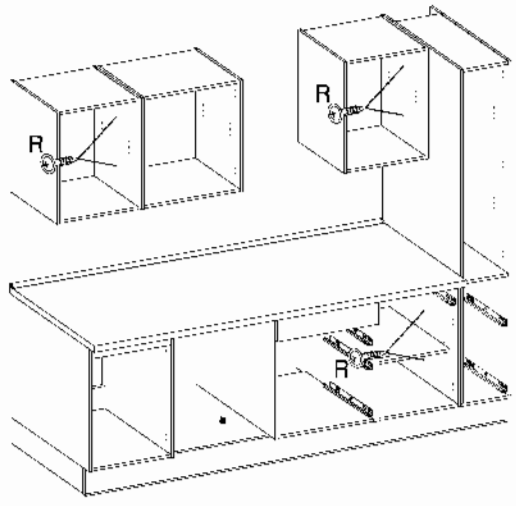
4.0x25mm



R

6

V 2



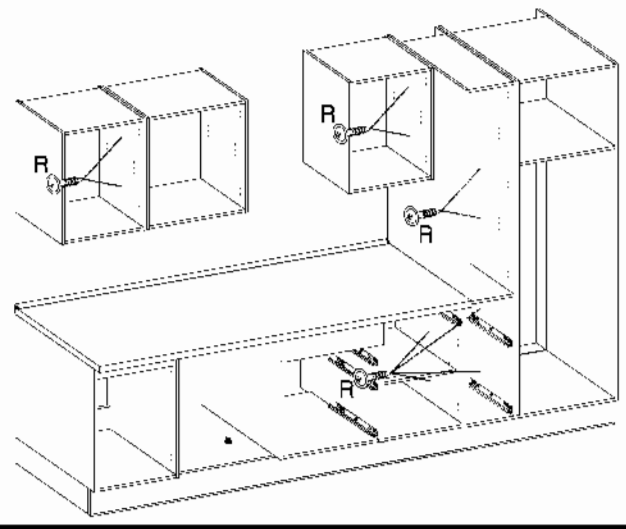
4.0x25mm



R

10

V 3



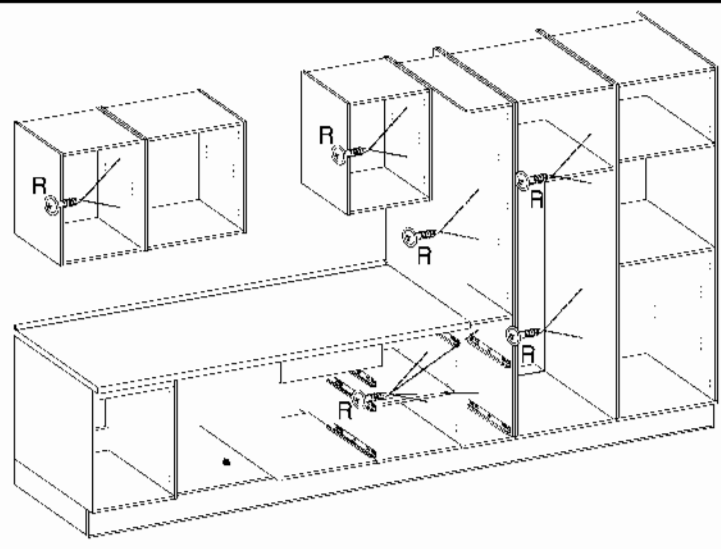
4.0x25mm

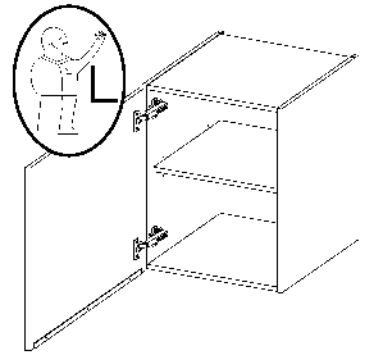
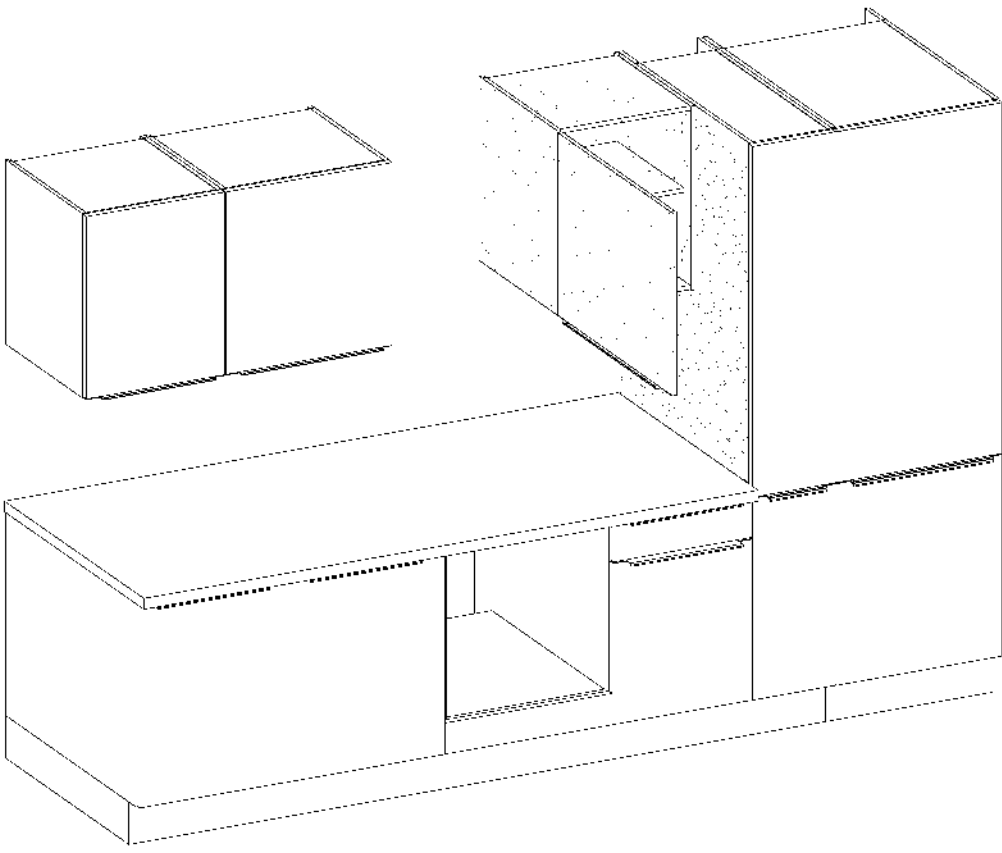
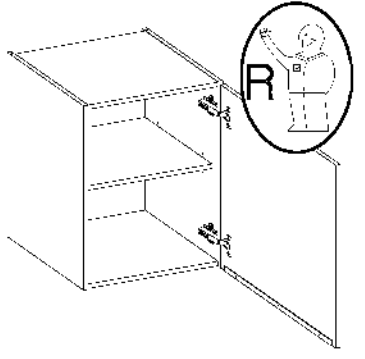
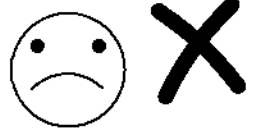
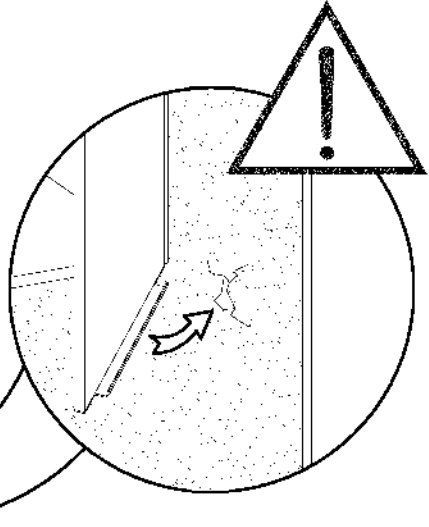
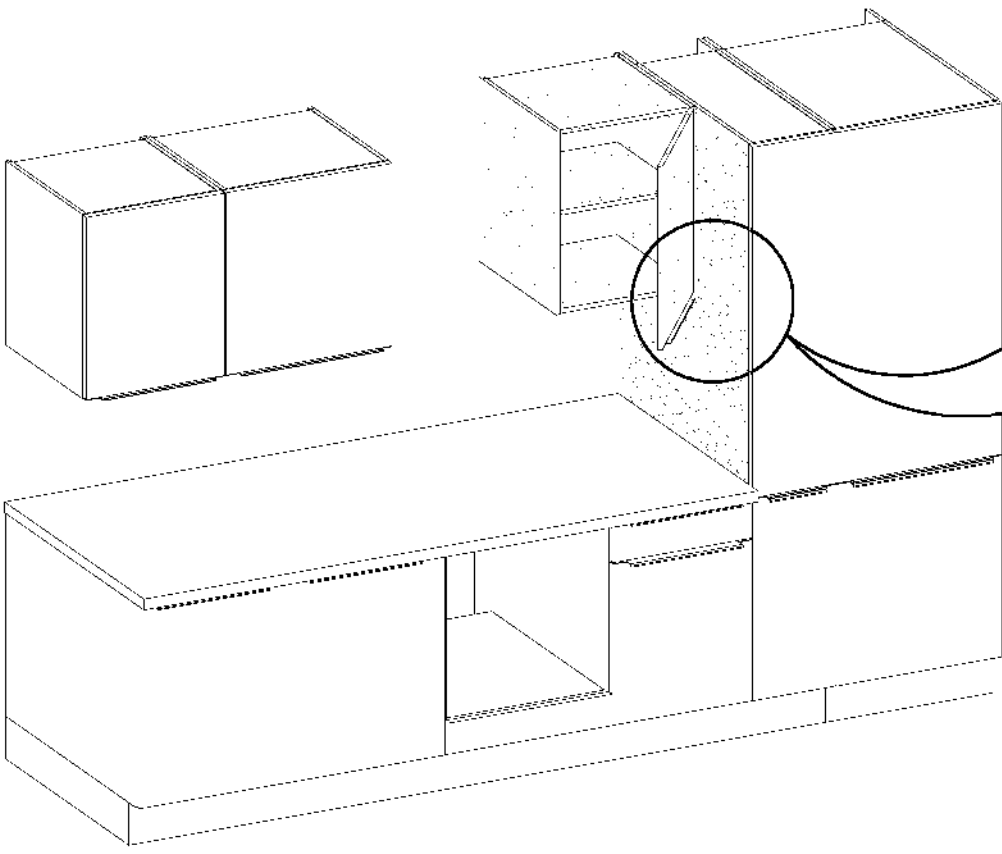


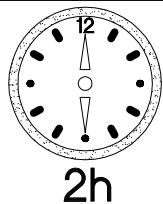
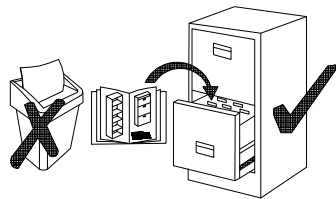
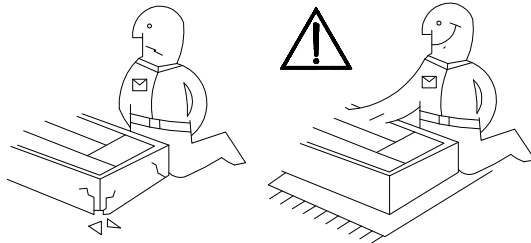
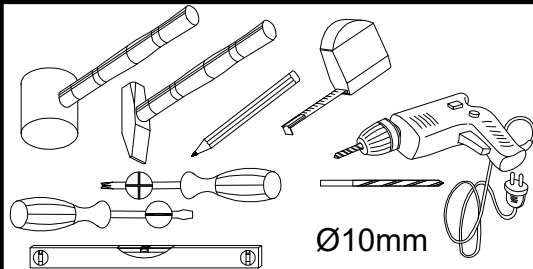
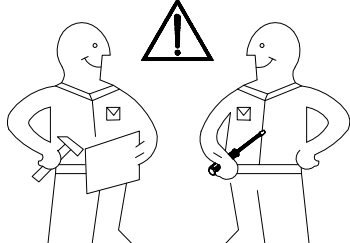
R

14

V 4

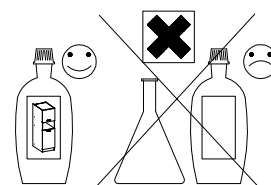
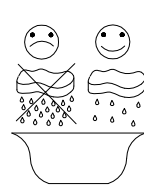




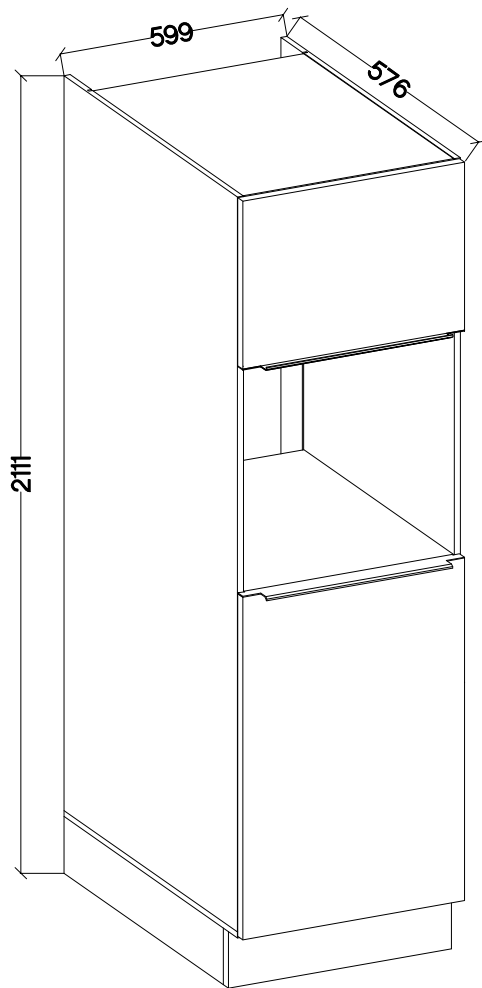


**SAFADO / MARLEEN**

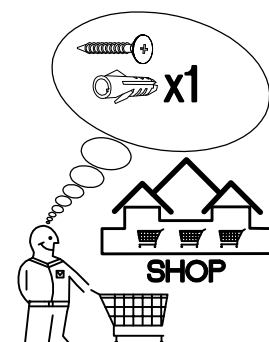
73-154-...  
73-15C-...  
73-15D-...



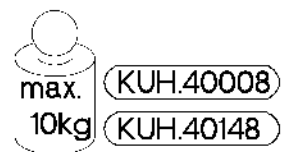
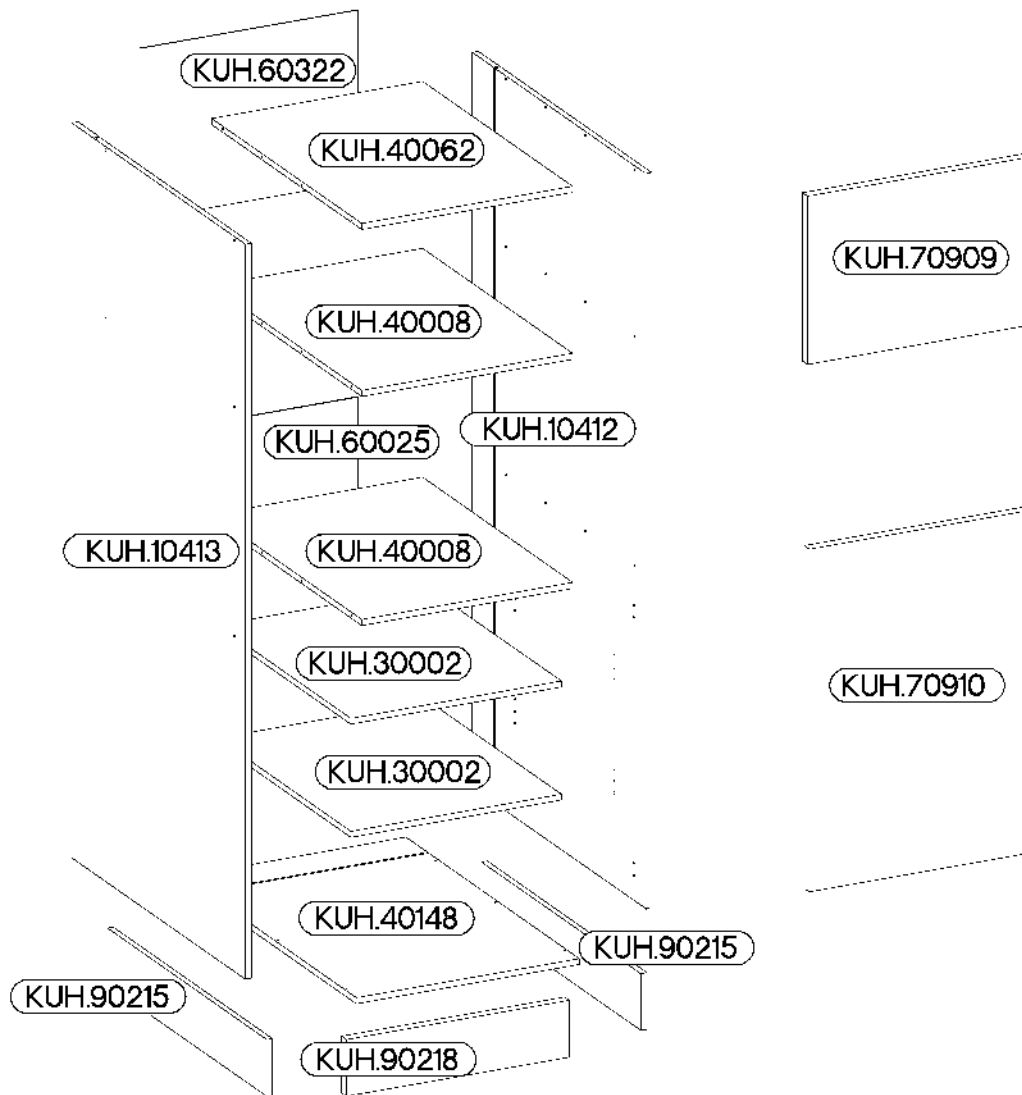
**Respekta®**



 <b>A</b> 12	 <b>B</b> 18	 <b>E1</b> 12	 <b>F15</b> 4	 <b>F16</b> 6		
 <b>HG</b> 4	 <b>J3</b> 8	 <b>J5</b> 2	 <b>K24</b> 2	 <b>L35</b> 1	 <b>R</b> 4	L=600mm †4.0x25mm
 <b>L25</b> 1	 <b>O</b> 1	 <b>P5</b> 38	 <b>P7</b> 12-15	 <b>P11</b> 8	 <b>SL60</b> 2	120x30x15mm †3.5x13mm †3.0x20mm †3.0x16mm L=595mm

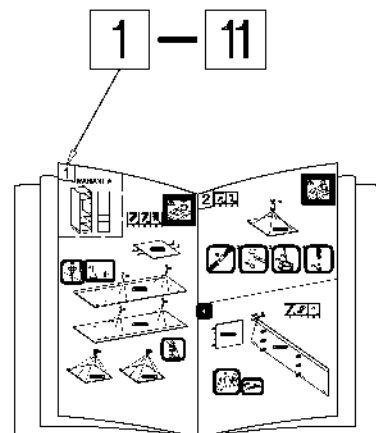
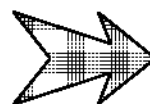
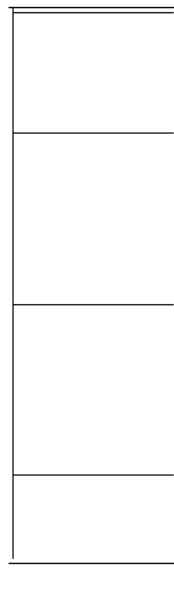
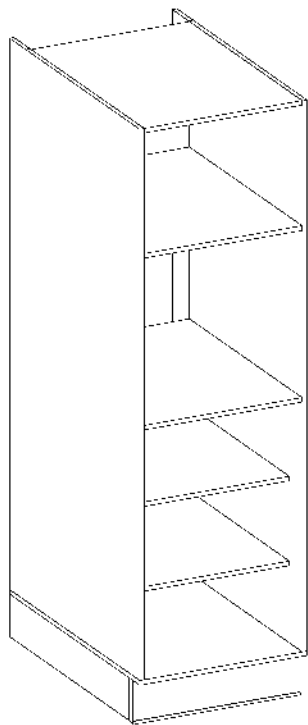
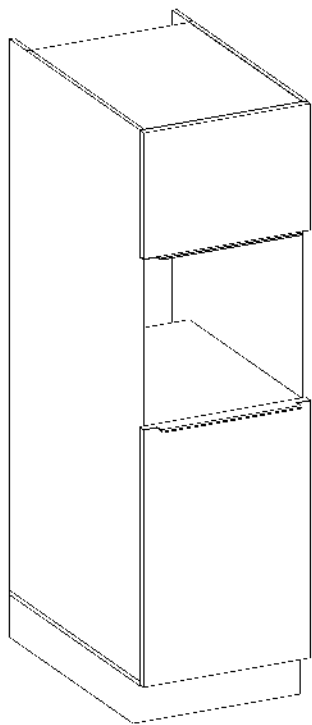


**ISM-KUH-01595**

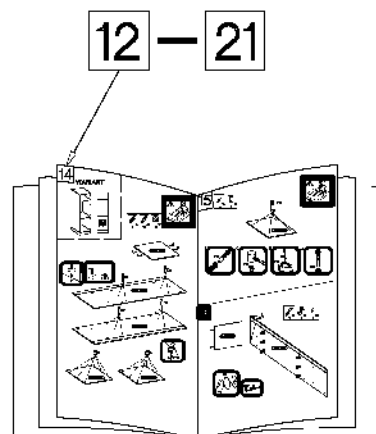
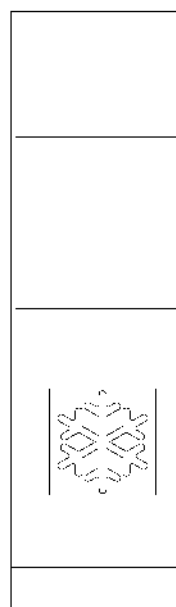
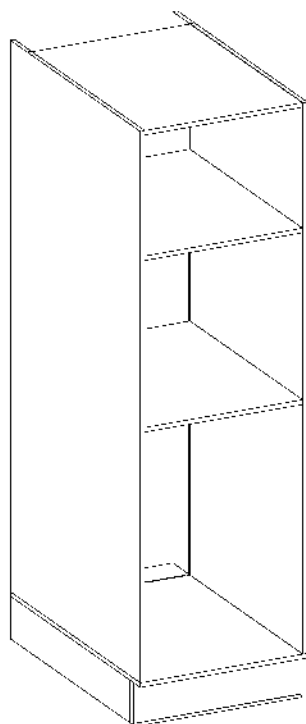
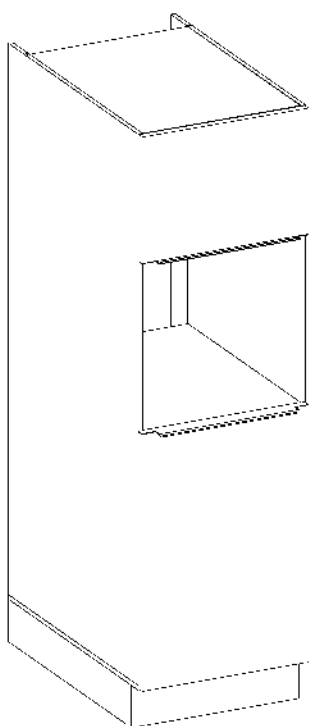


Colli	Spare Part	Dimension
Colli 1/2	KUH.40148	599x560x16
	KUH.30002 x2	566x430x16
	KUH.60025	905x585x2,5
	KUH.60322	454x585x2,5
	KUH.70910	907x596x16
	KUH.79090	445x596x16
	KUH.90215 x2	515x150x16
	KUH.90218	599x150x16
Colli 2/2	KUH.10412	1945x560x16
	KUH.10410	1945x560x16
	KUH.40008 x2	567x485x16
	KUH.40062	567x485x16

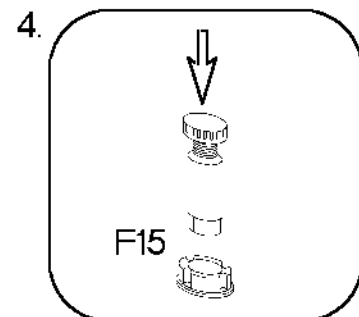
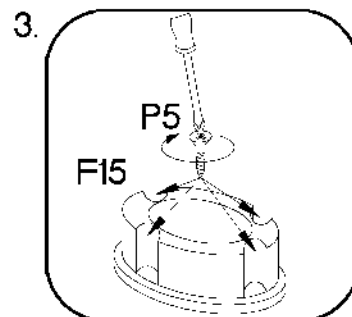
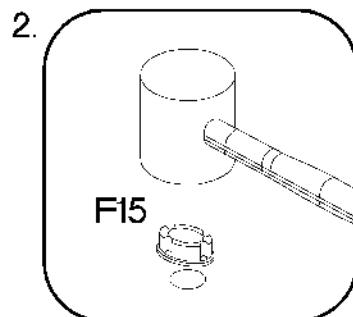
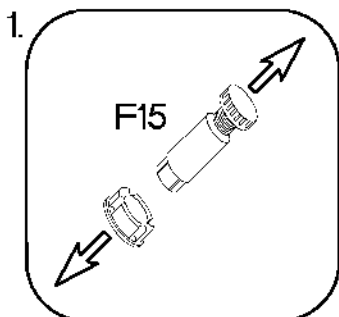
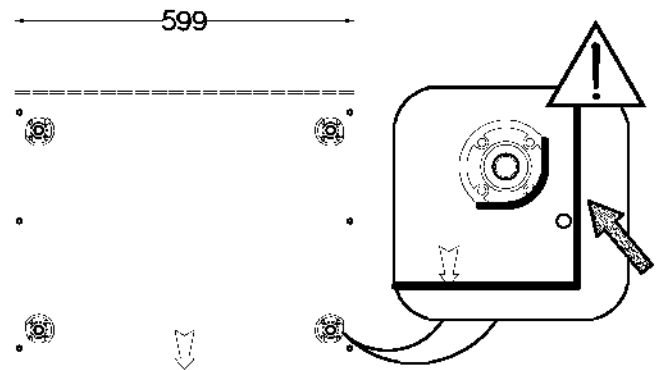
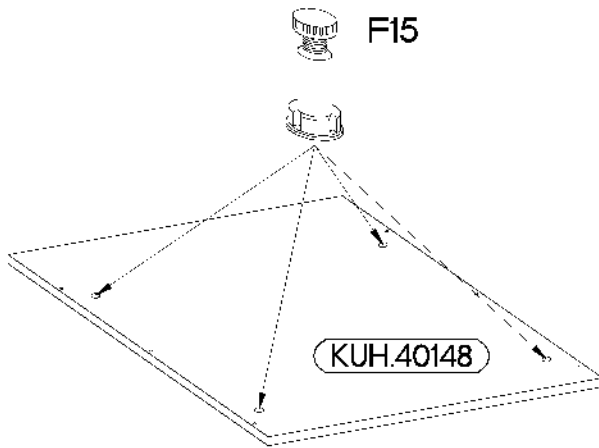
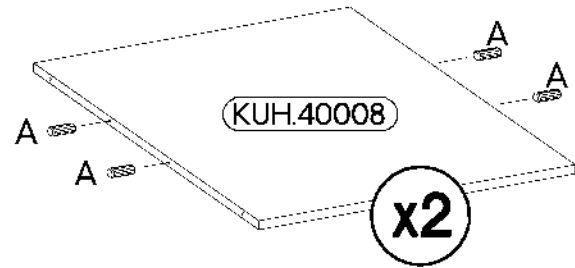
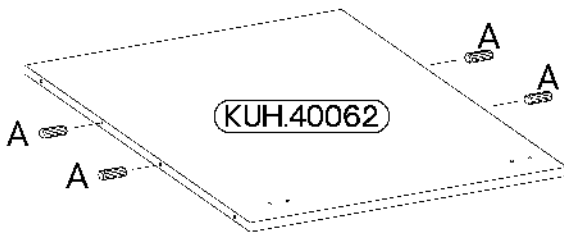
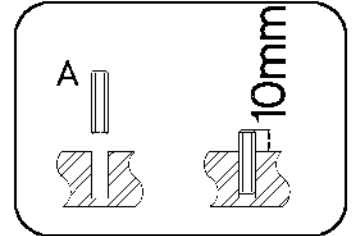
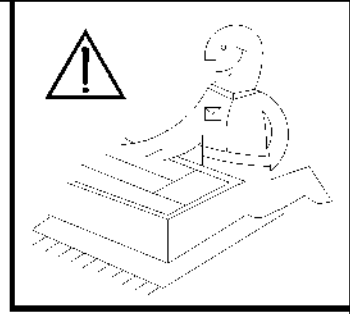
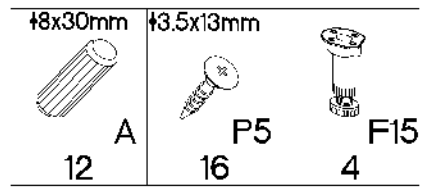
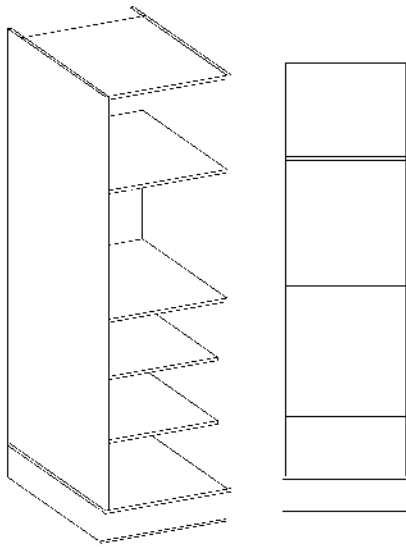
# VARIANT 1



# VARIANT 2



# VARIANT 1



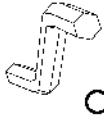
2

6,4 x 50mm



B

6



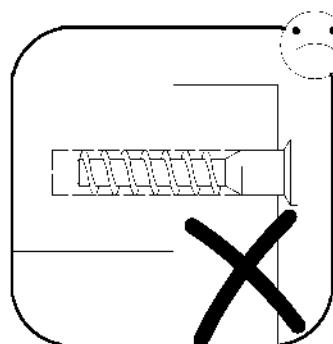
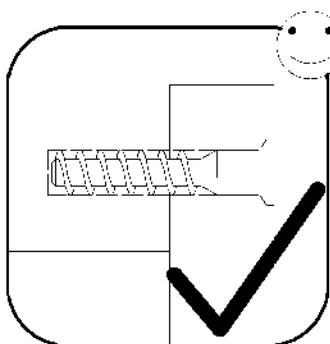
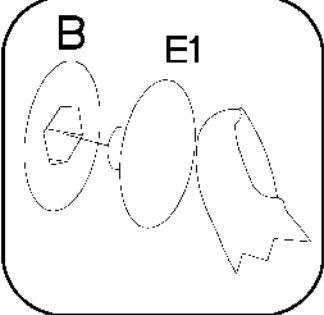
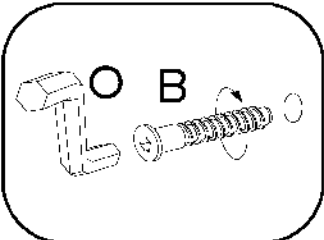
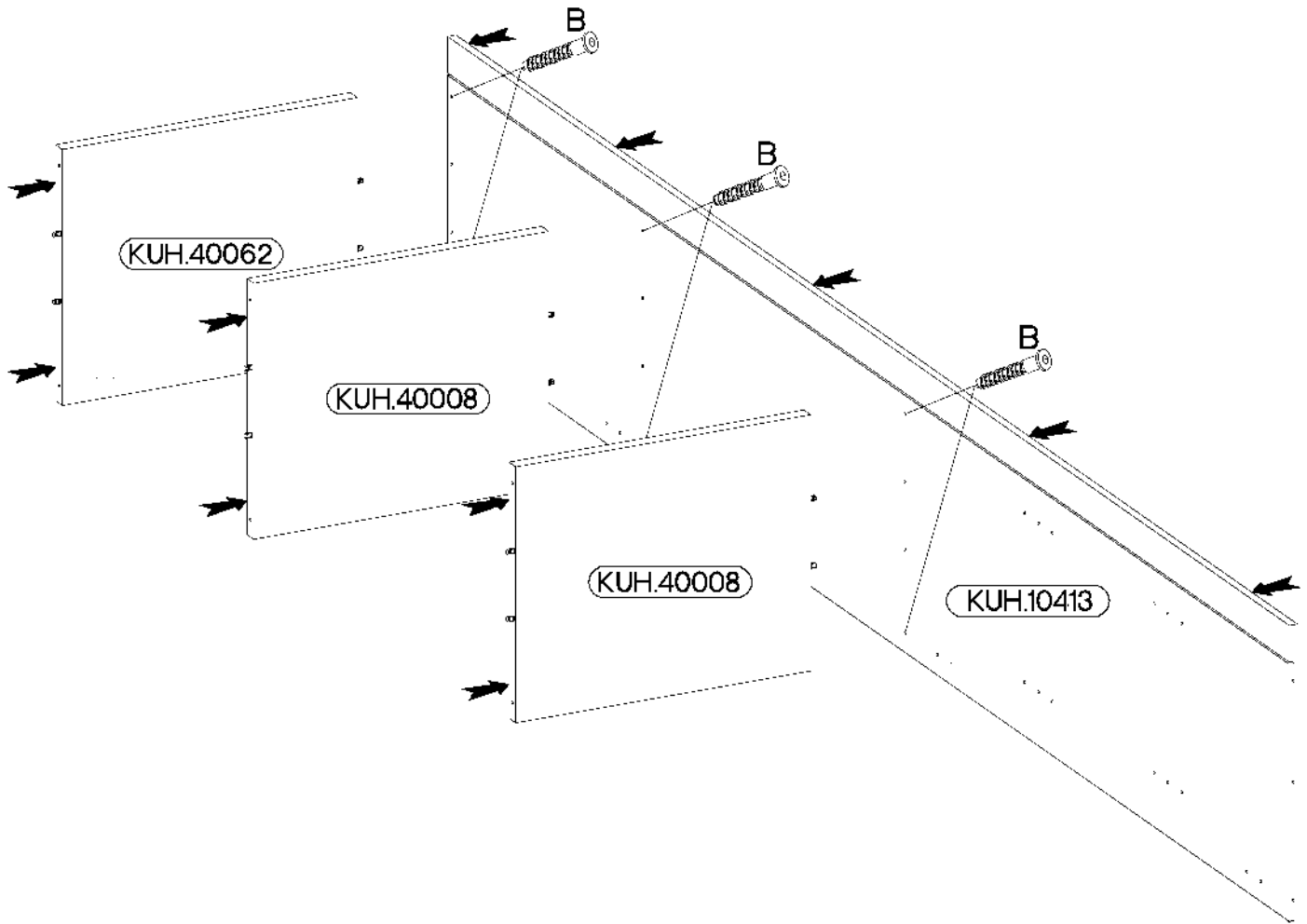
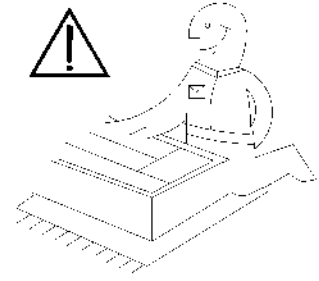
O

1

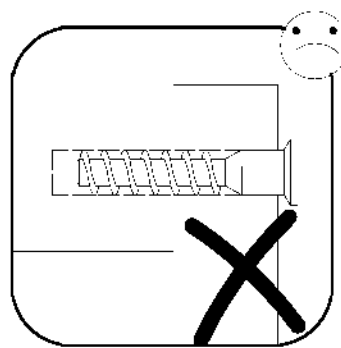
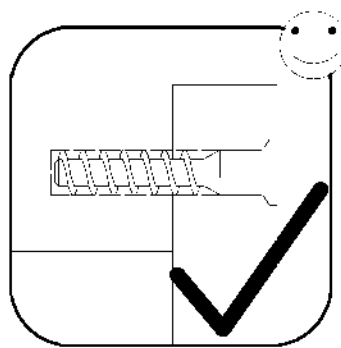
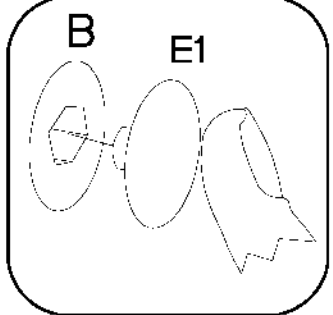
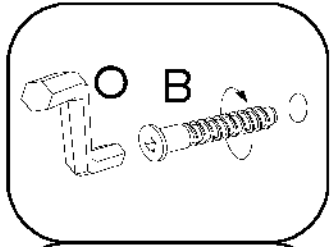
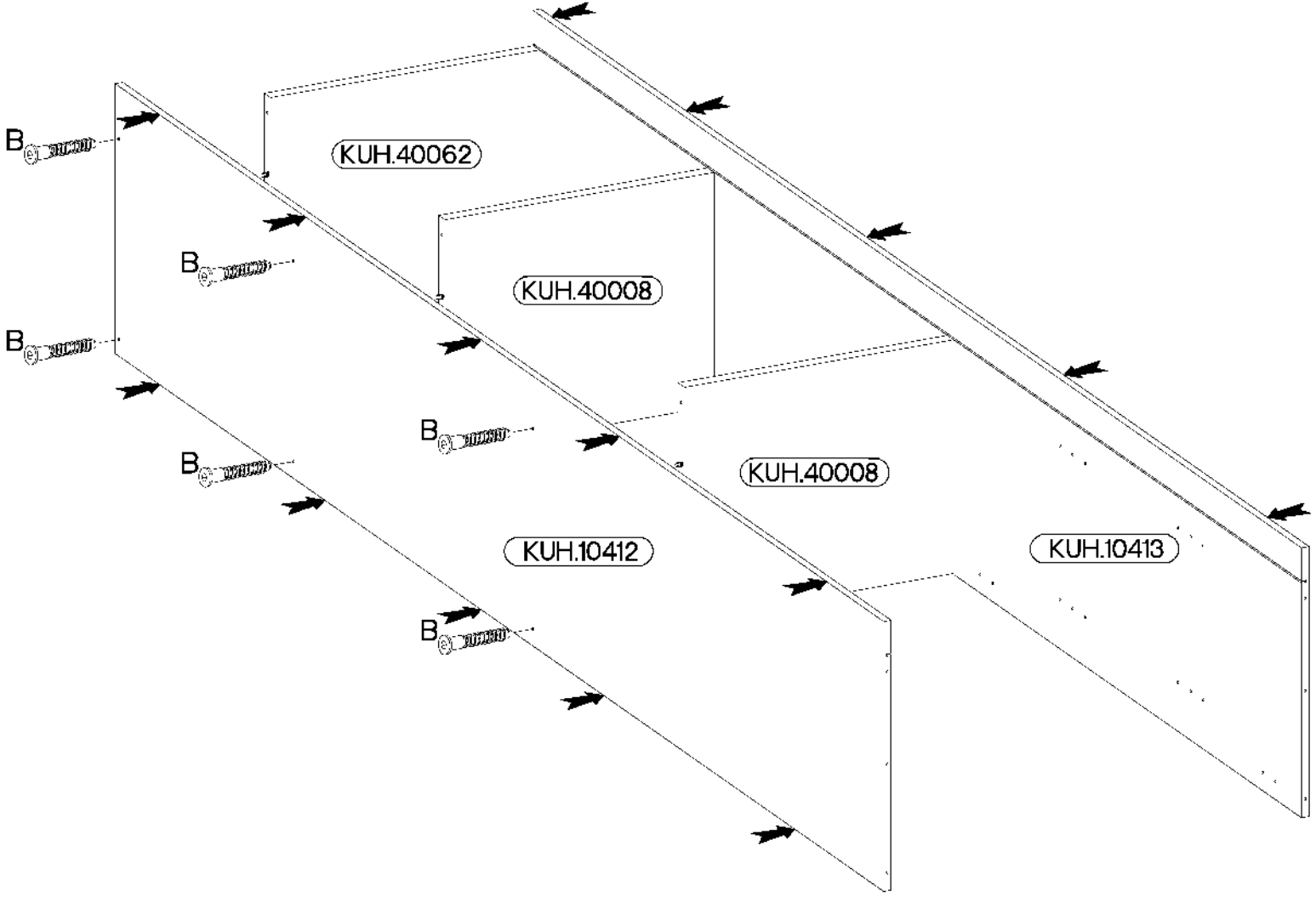
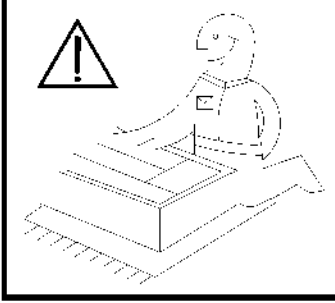
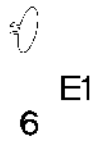
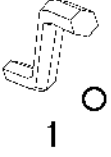


E1

6



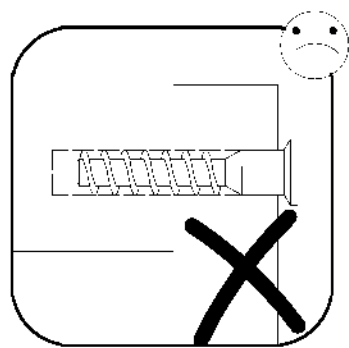
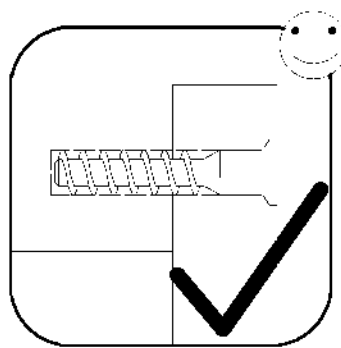
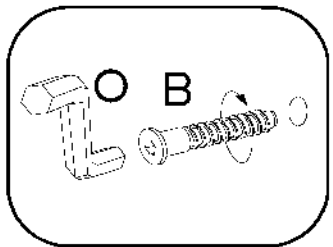
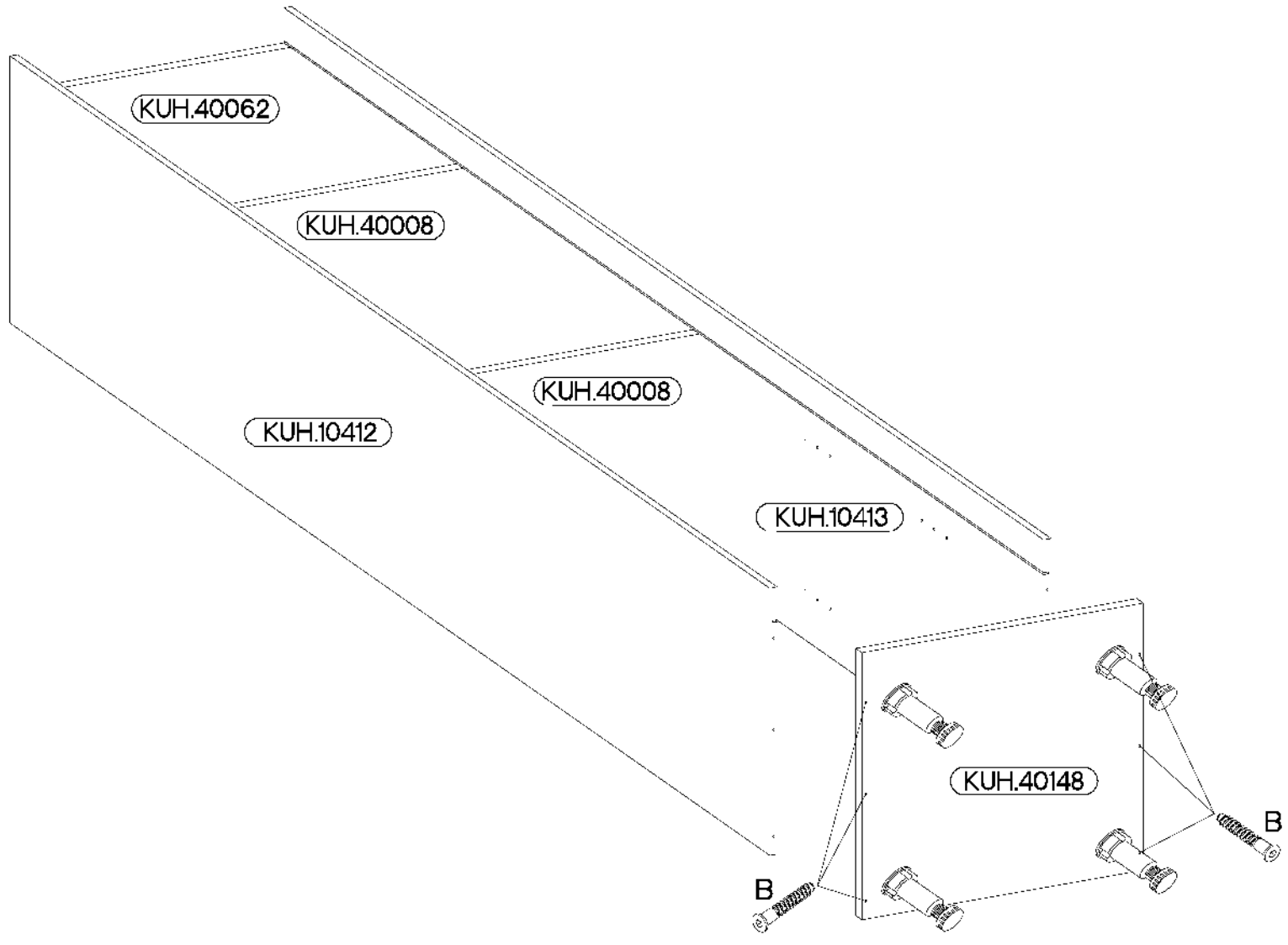
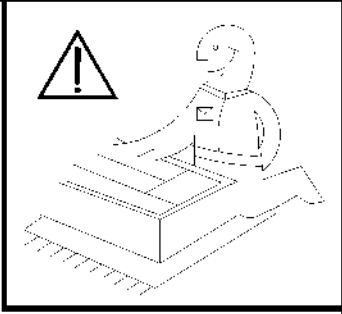
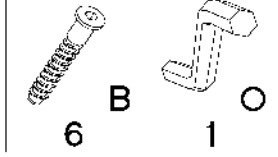
6,4 x 50mm



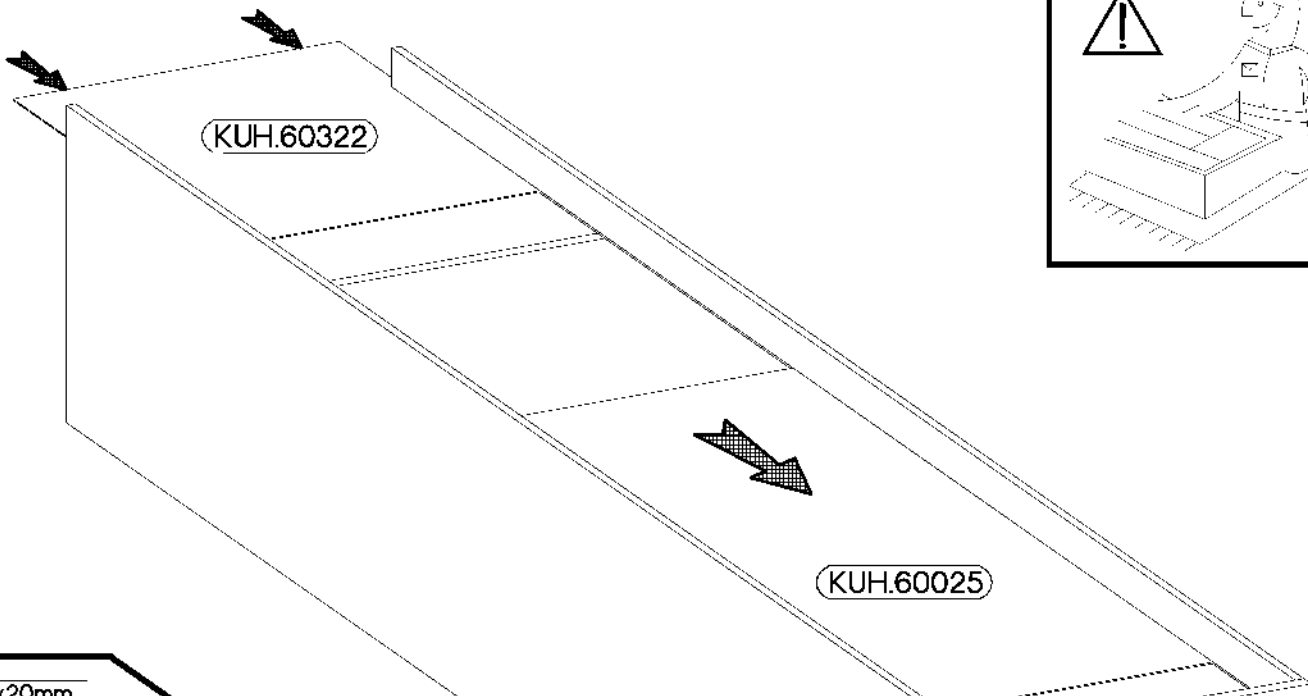





6,4 x 50mm

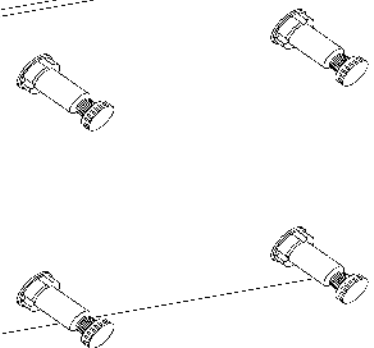
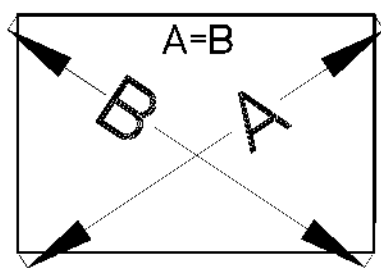
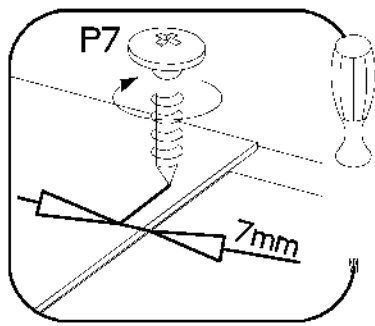
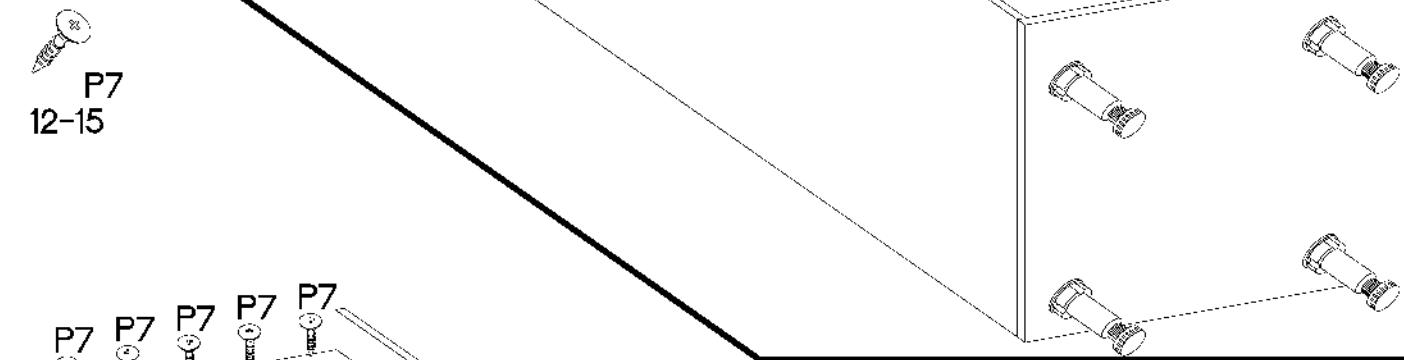


5



6

∅3.0x20mm  
  
 P7  
 12-15



7

+3.5x13mm

L=600mm



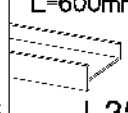
P5

12



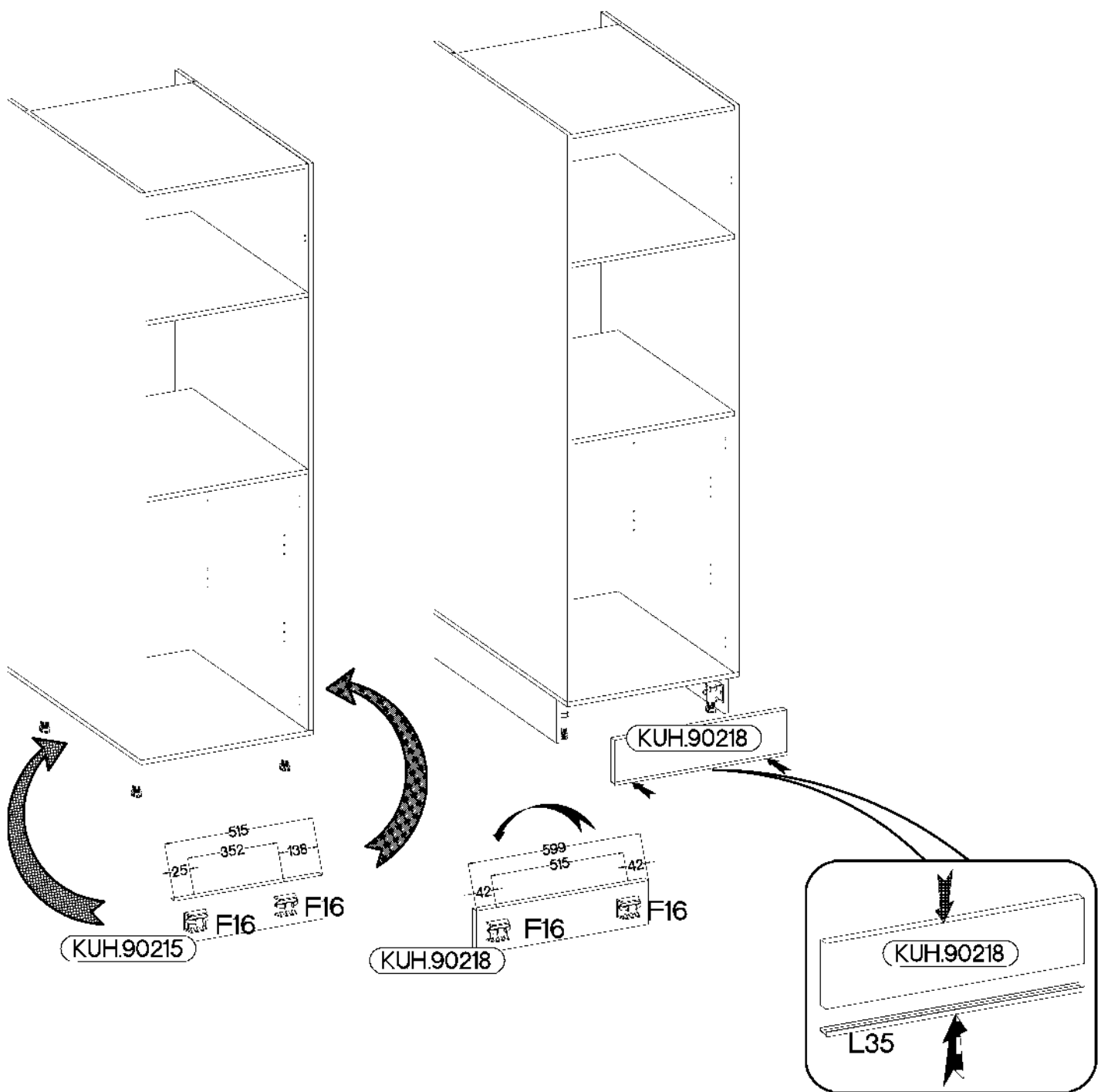
F16

6





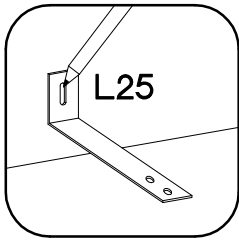
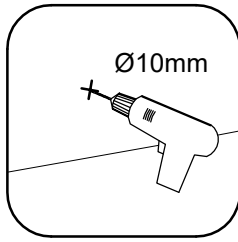
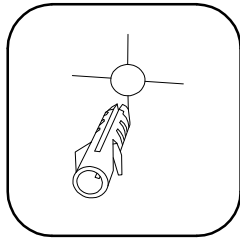
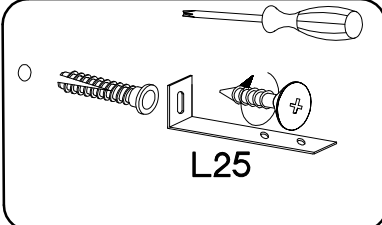
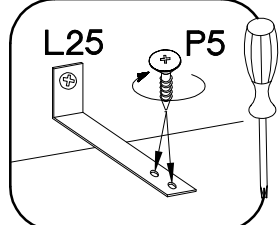
L35

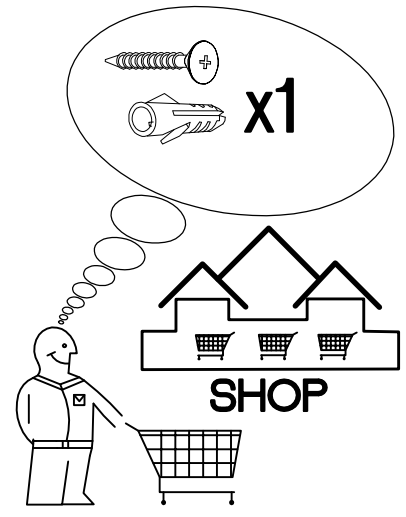
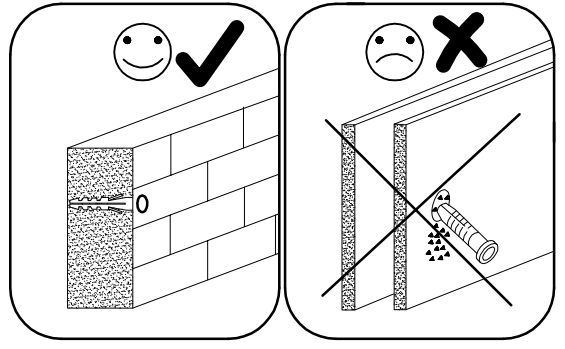
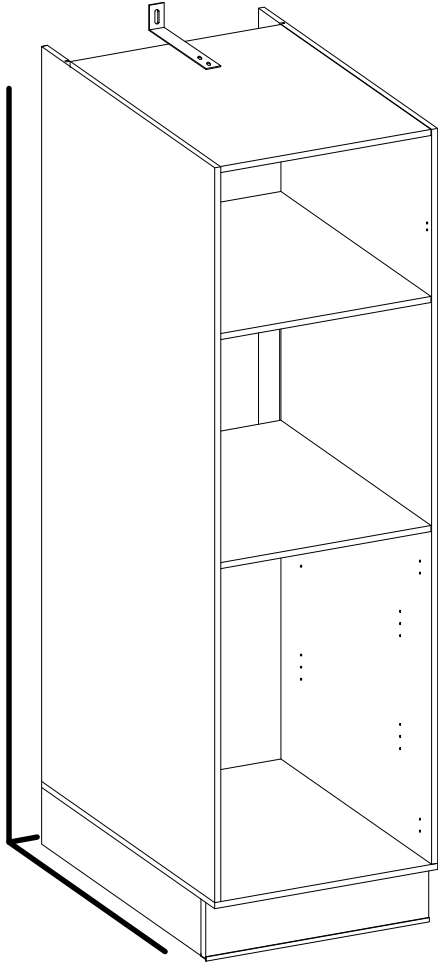
1



1. F16
2. F16 P5
3. F16
4. F16

 <p>P5</p>	 <p>L25</p>
2	1

- 
- 
- 
- 
- 



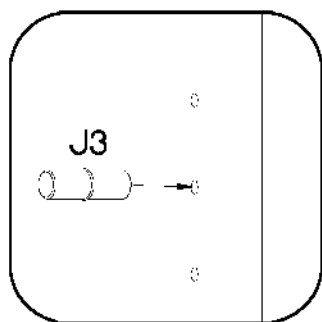
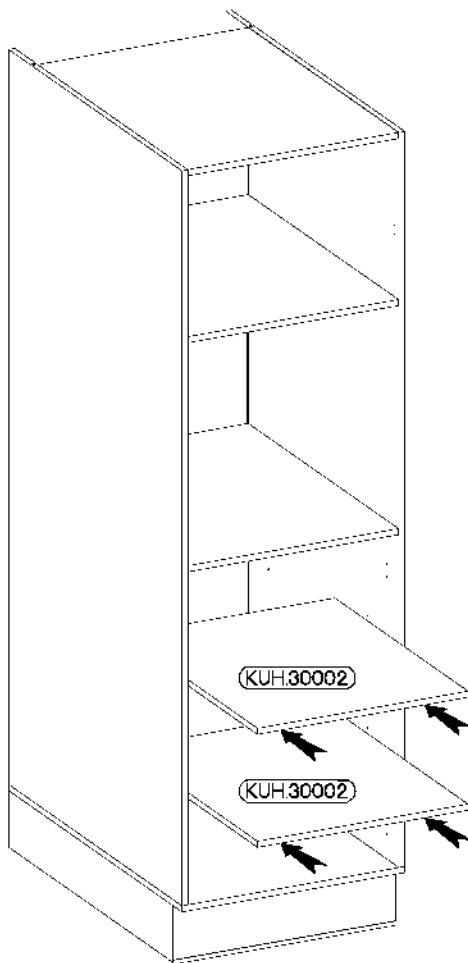


±5/16mm



J3

8



10

±35/0mm ±3.5x13mm



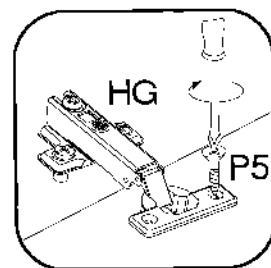
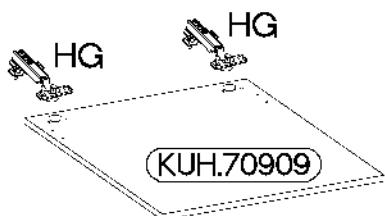
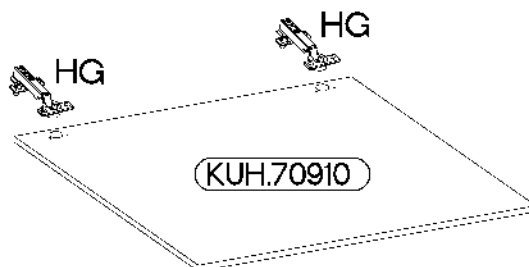
HG

4



P5

8





3.0x16mm

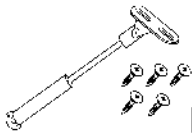
L=595mm



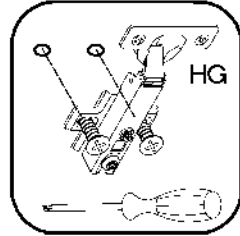
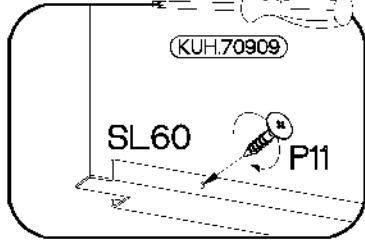
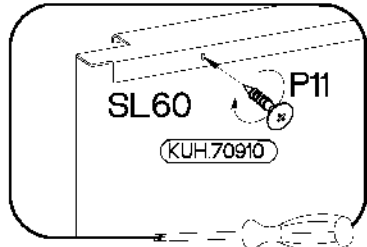
P11  
8



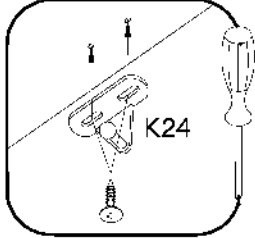
SL60  
2



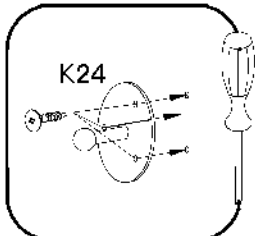
K24  
2



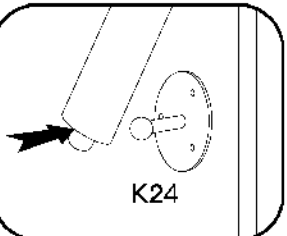
HG



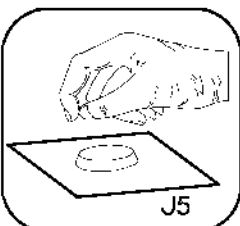
K24



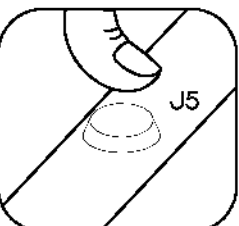
K24



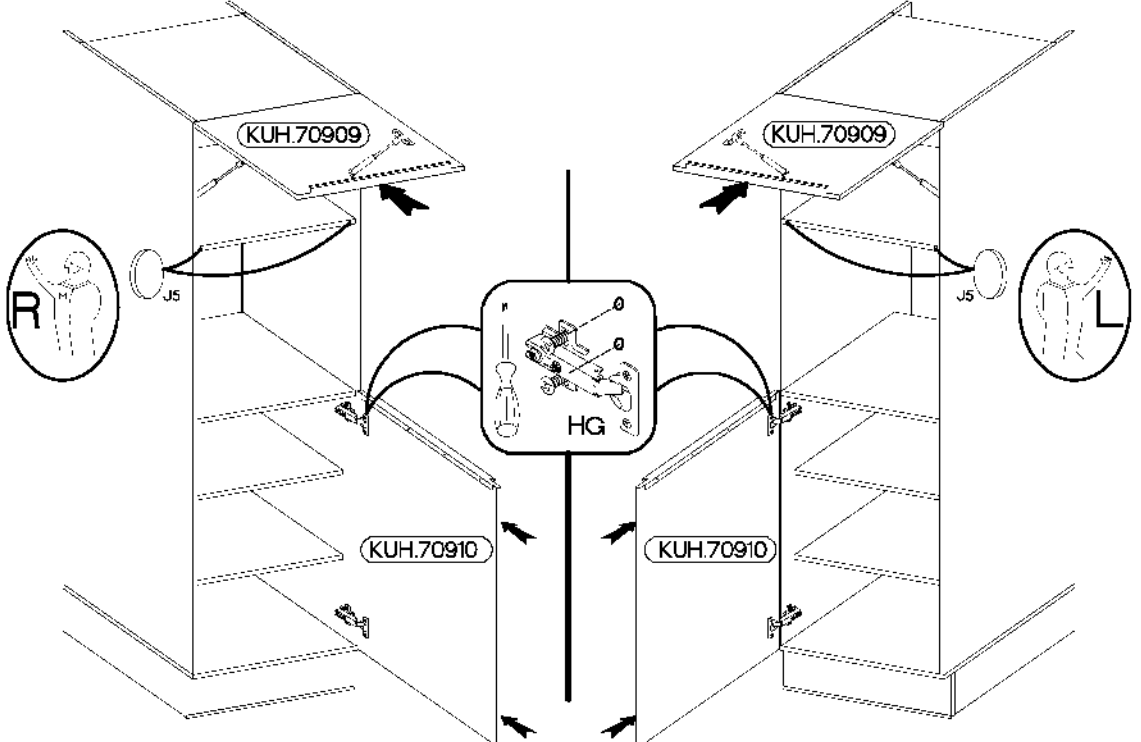
K24



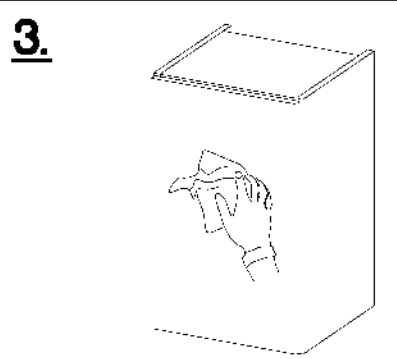
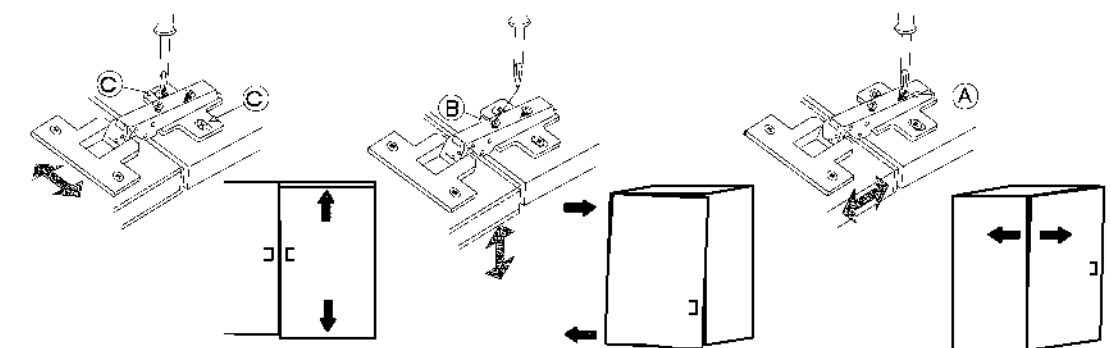
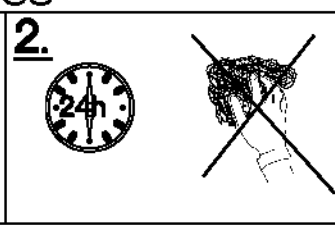
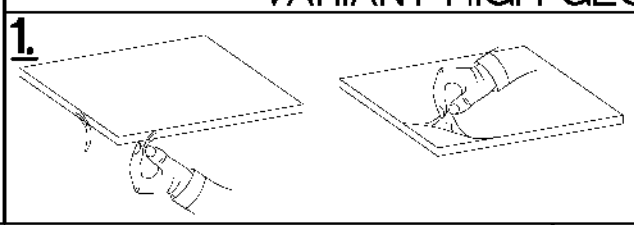
J5



J5

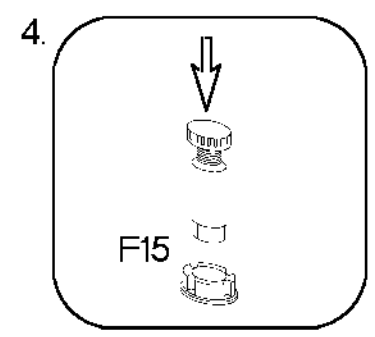
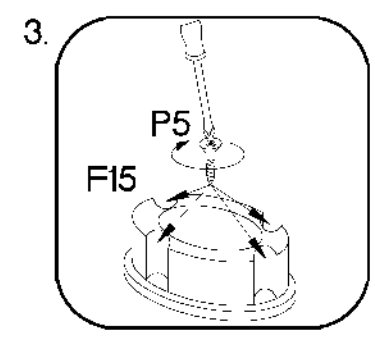
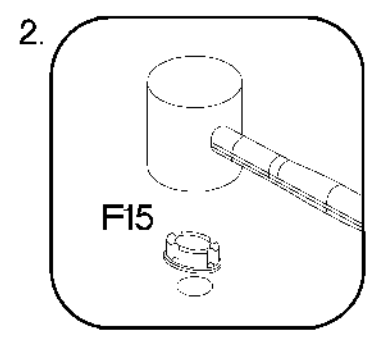
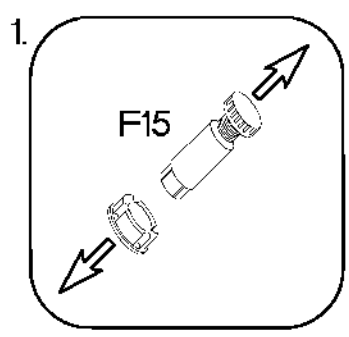
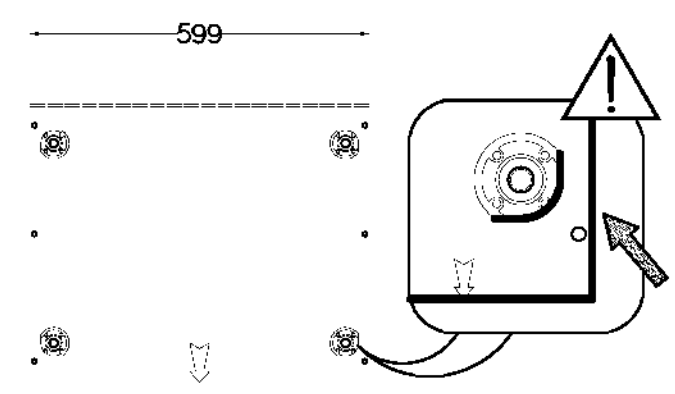
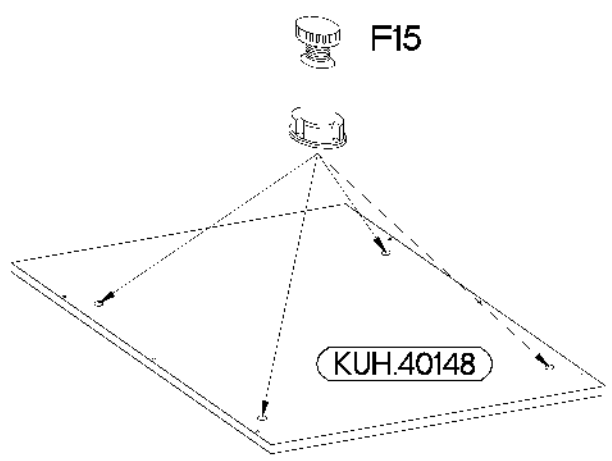
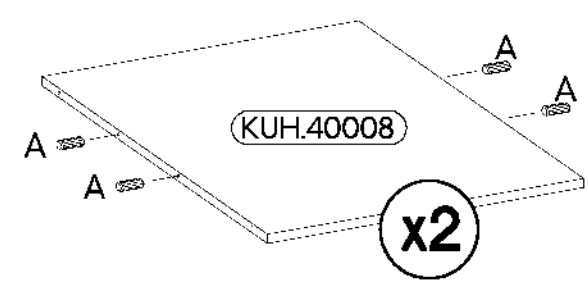
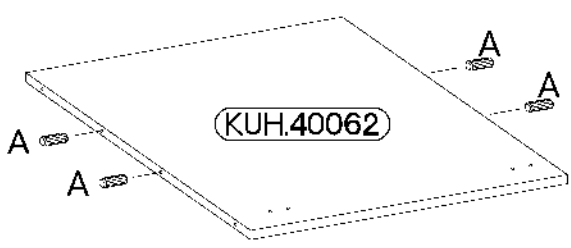
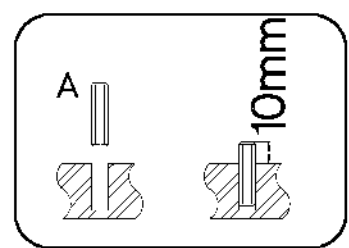
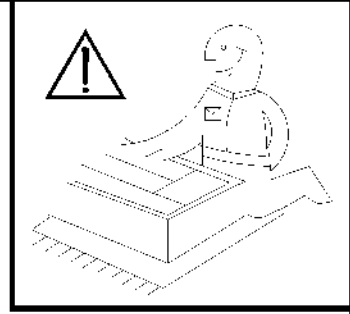
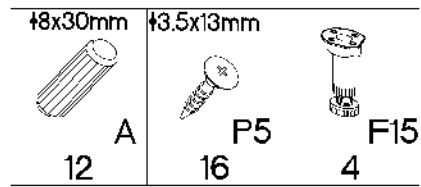
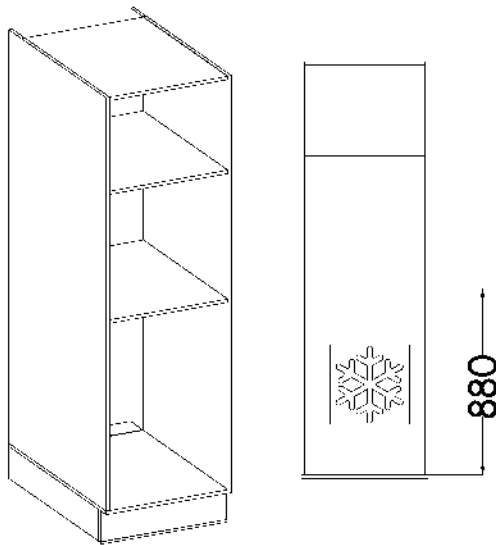


### VARIANT HIGH GLOSS



3.

# VARIANT 2

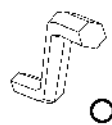


6,4 x 50mm



B

6



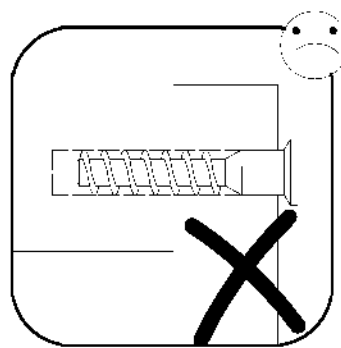
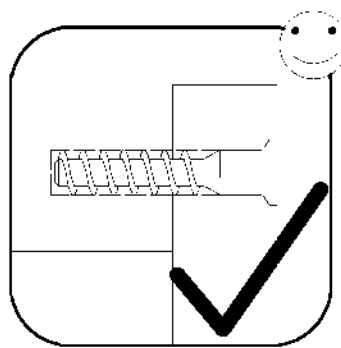
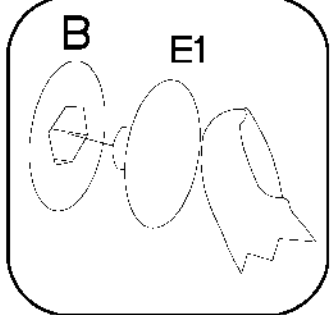
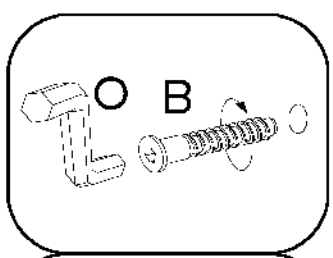
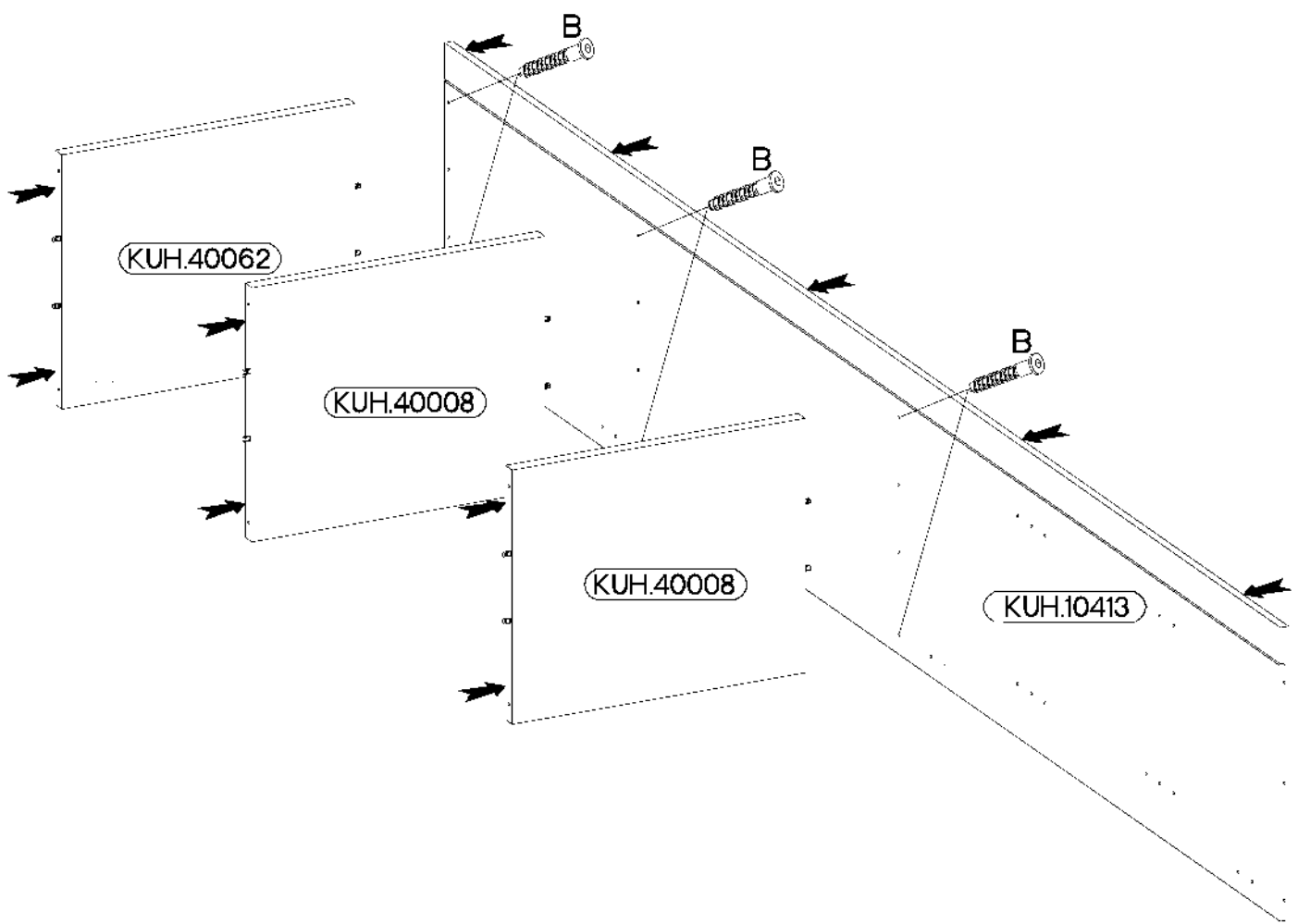
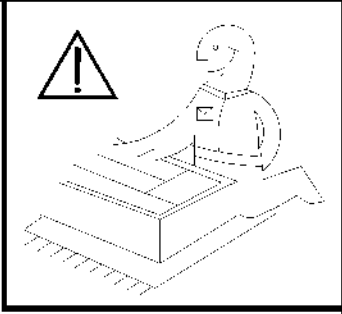
O

1



E1

6





6,4 x 50mm



B

6



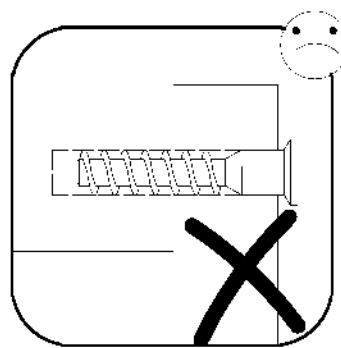
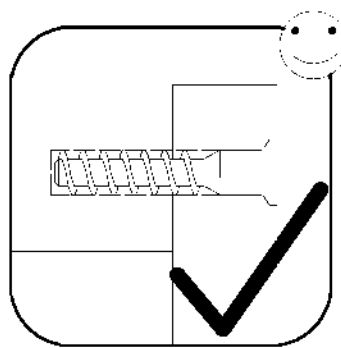
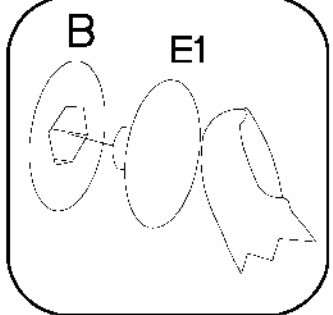
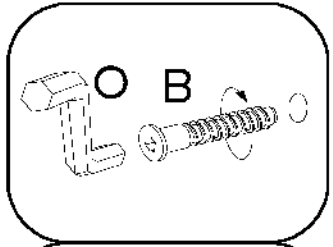
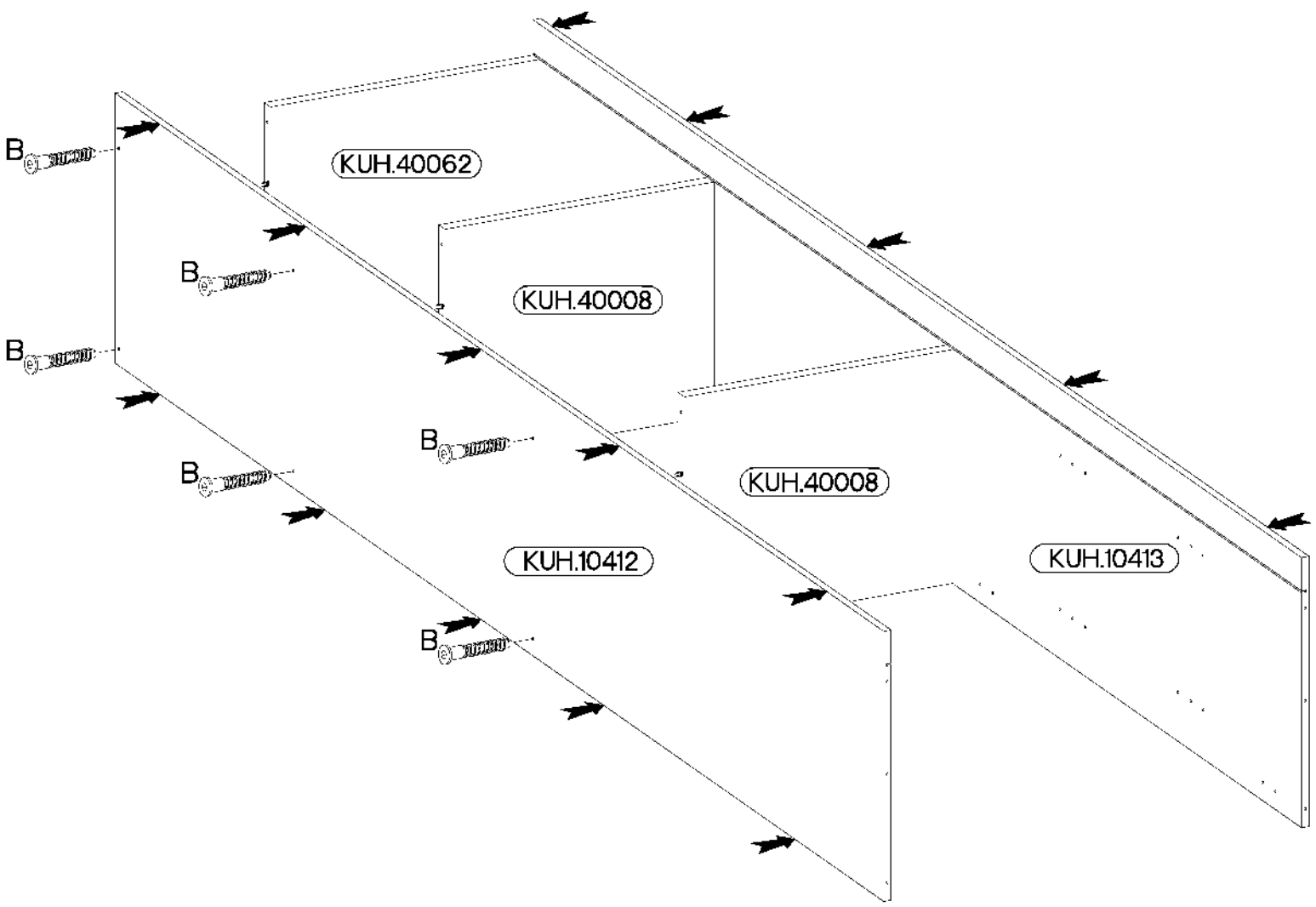
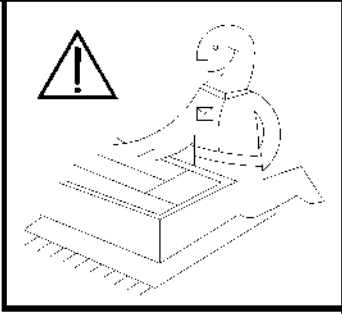
O

1

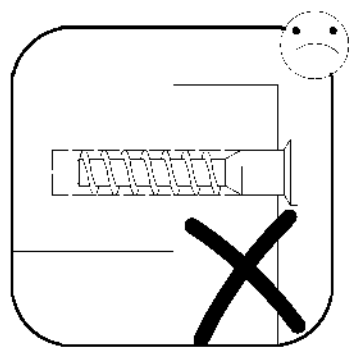
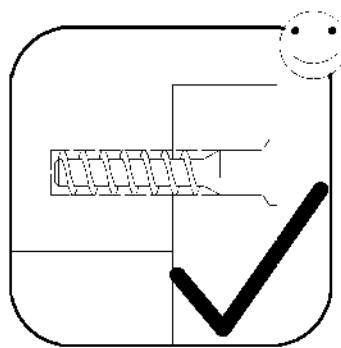
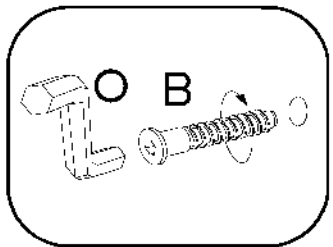
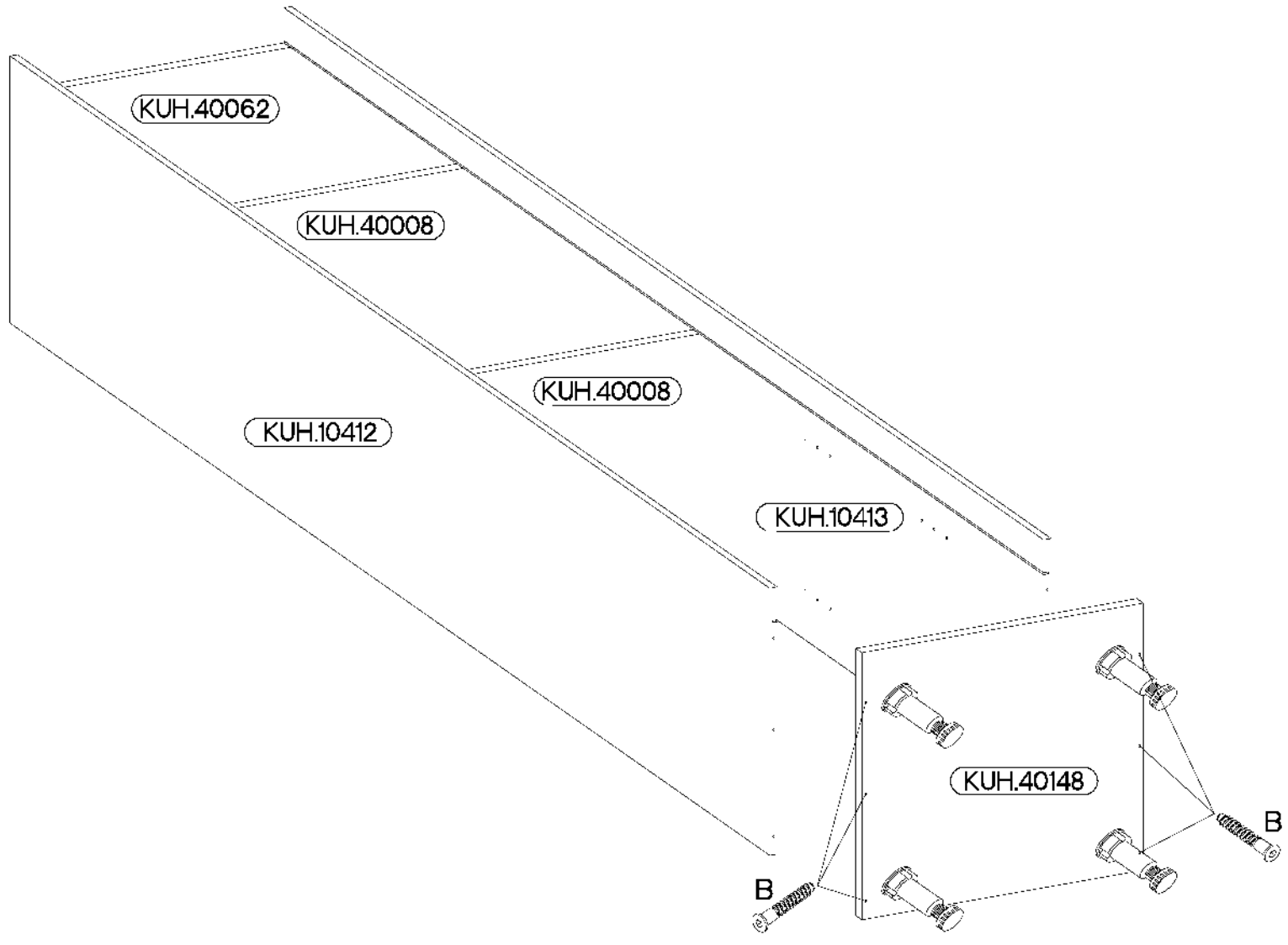
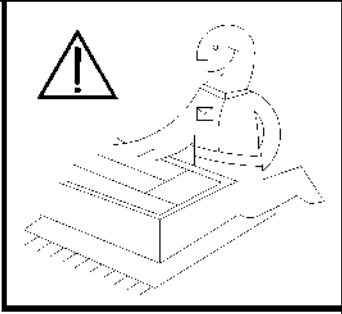
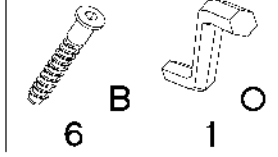


E1

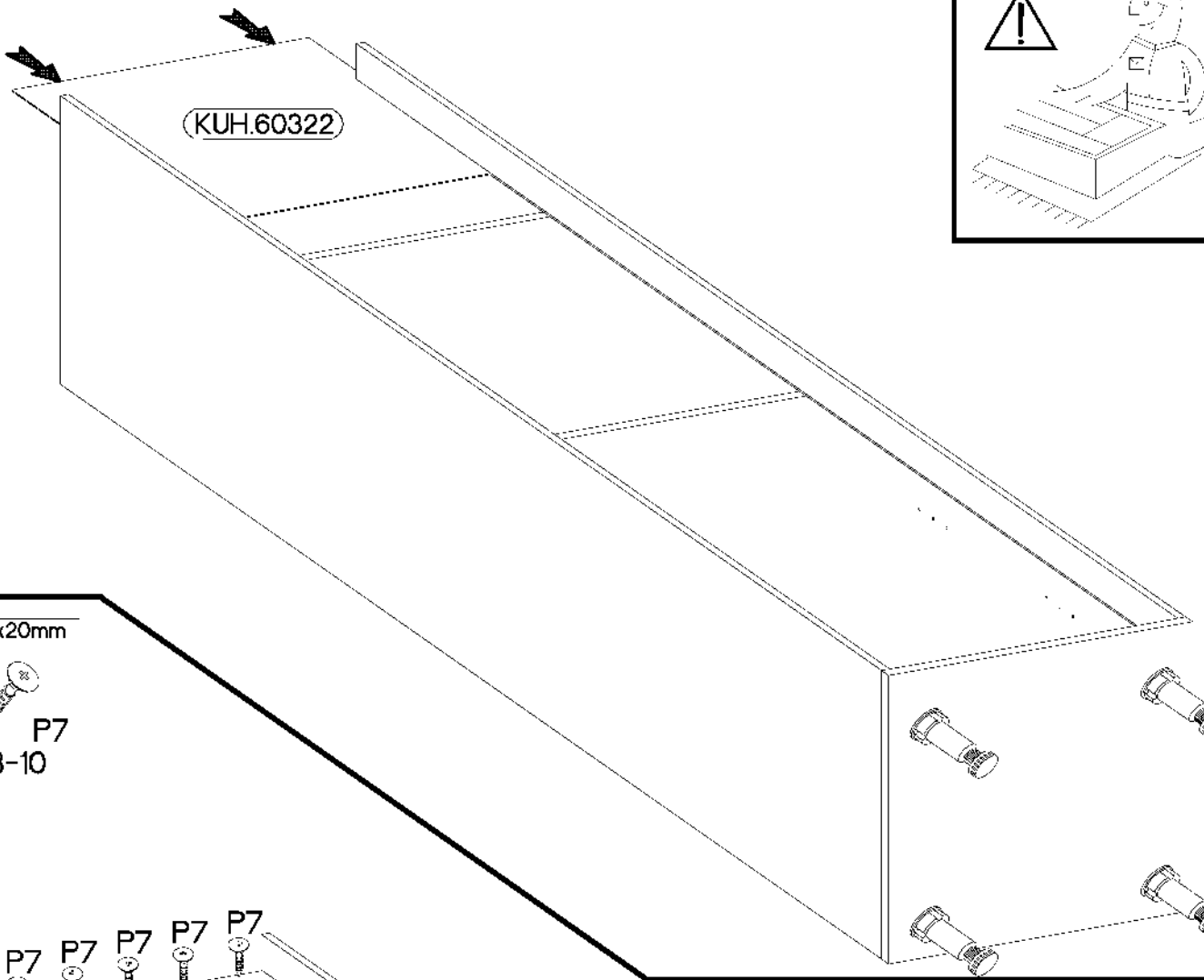
6



6,4 x 50mm

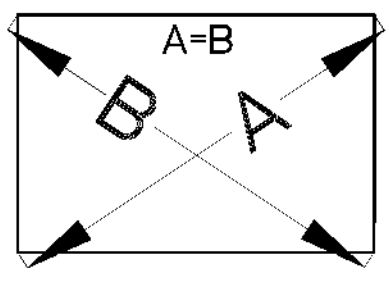
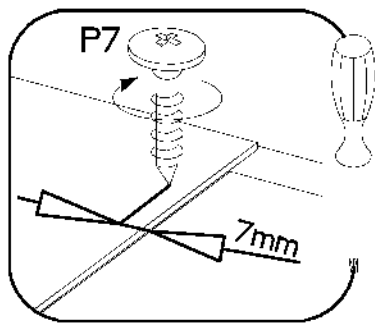
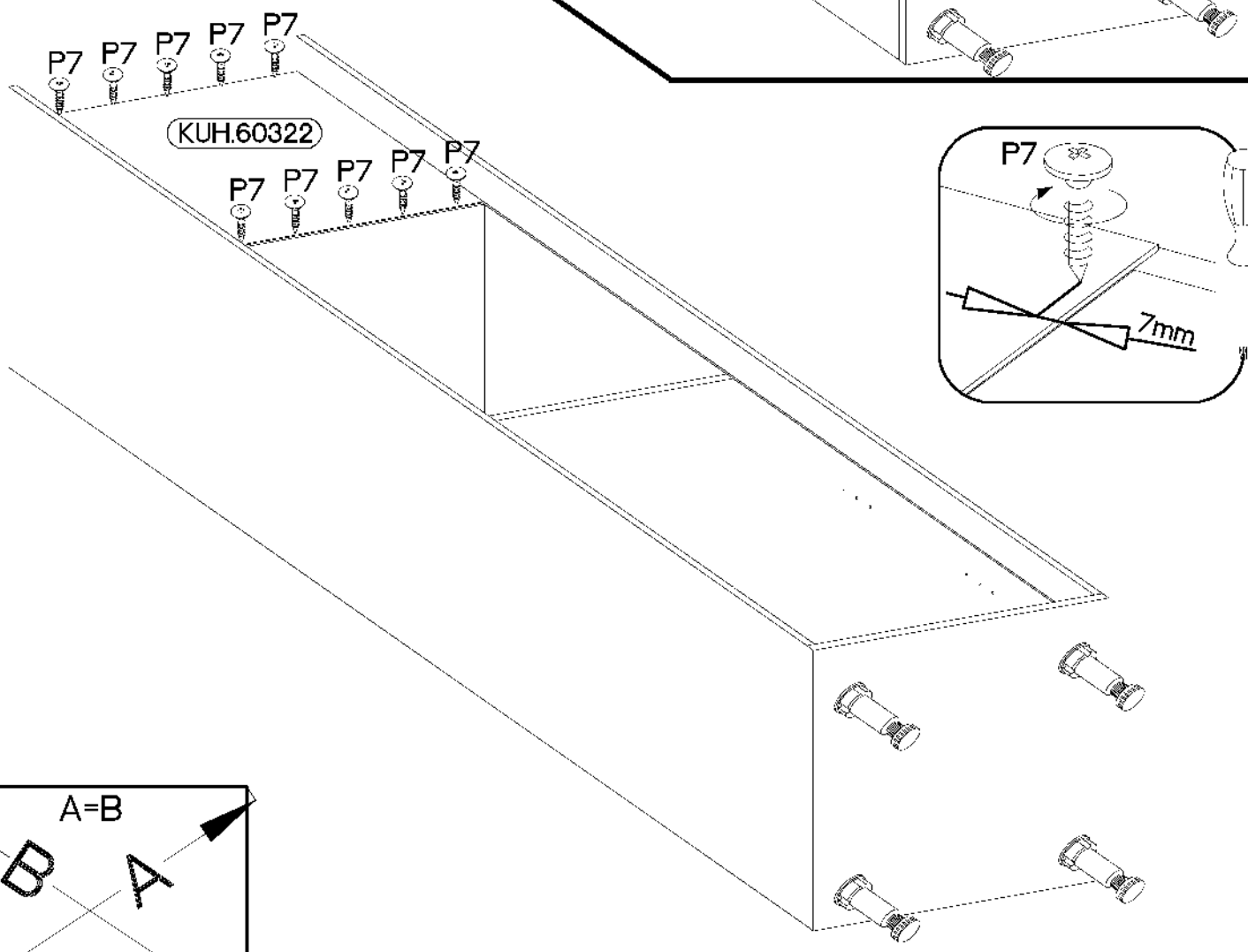


16



17

∅3.0x20mm  
P7  
8-10



+3.5x13mm

L=600mm



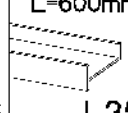
P5

12



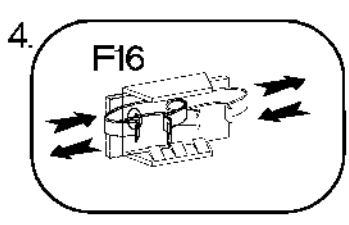
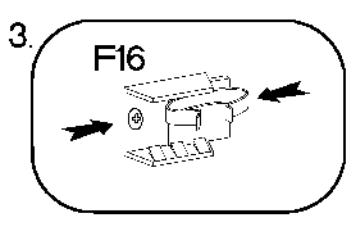
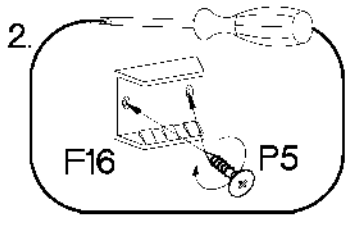
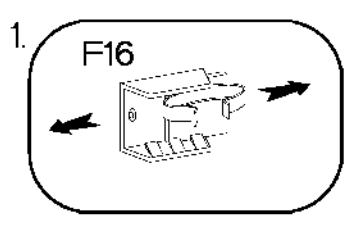
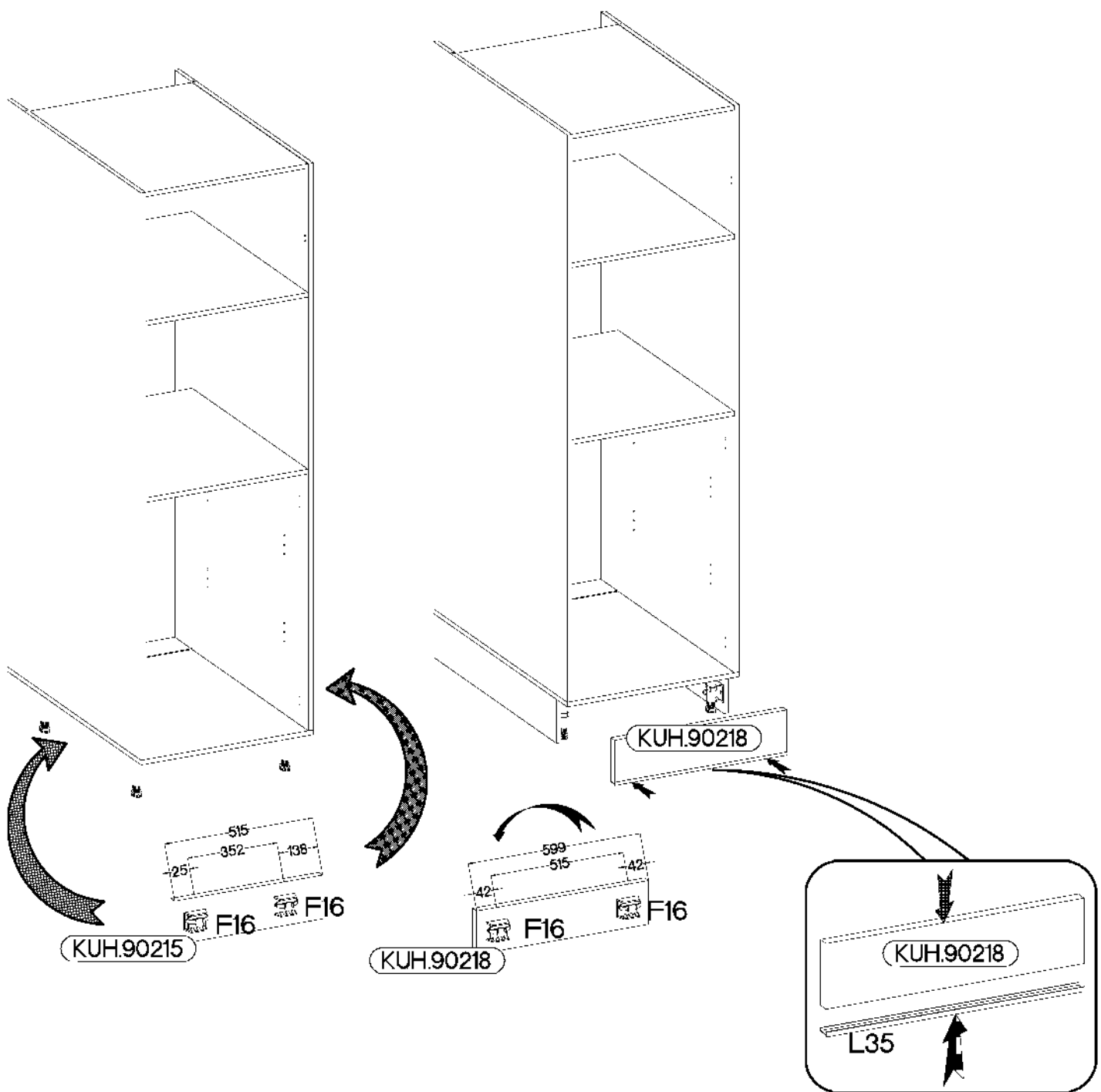
F16


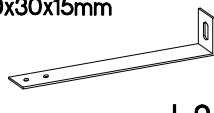
6

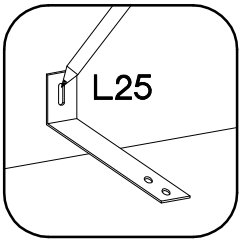
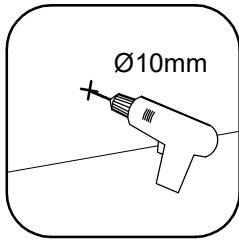
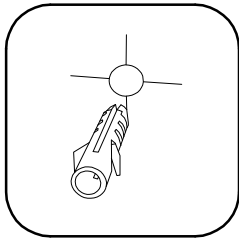
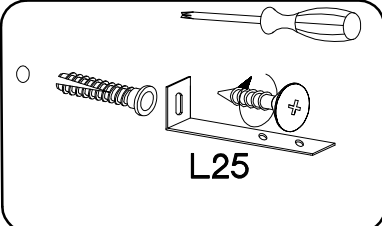
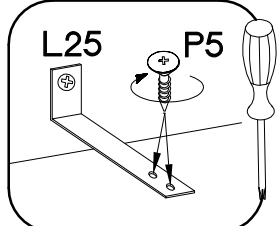


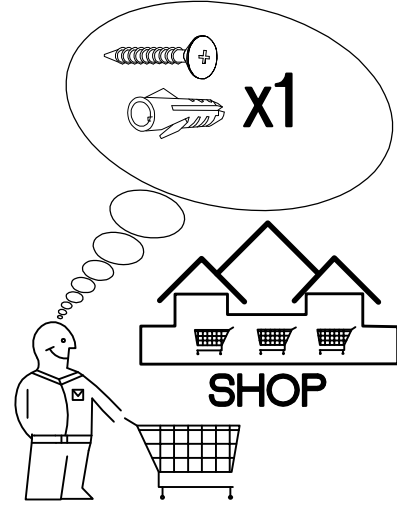
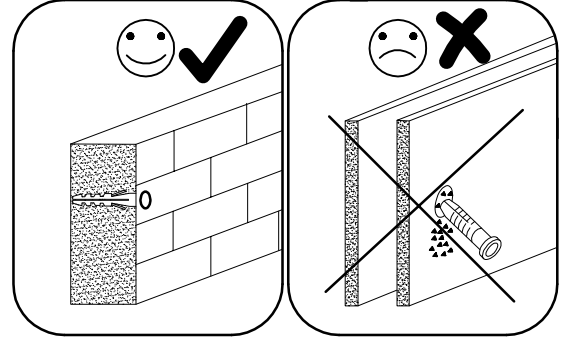
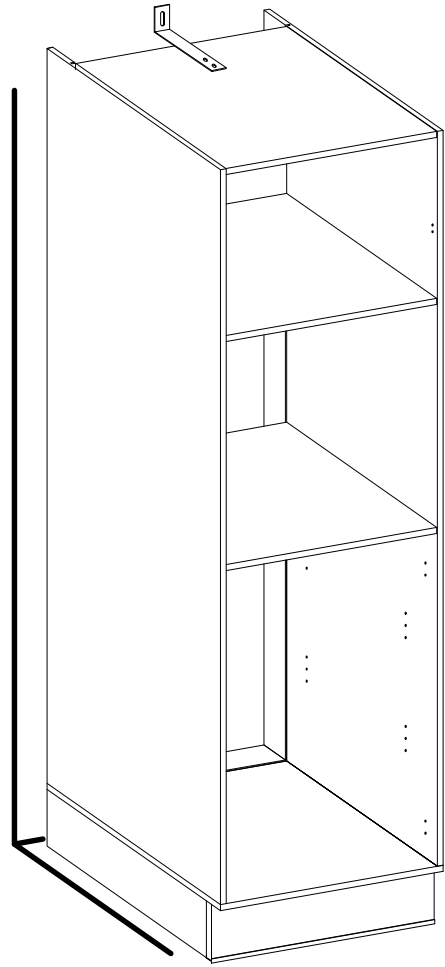
L35



1

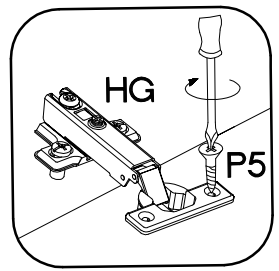
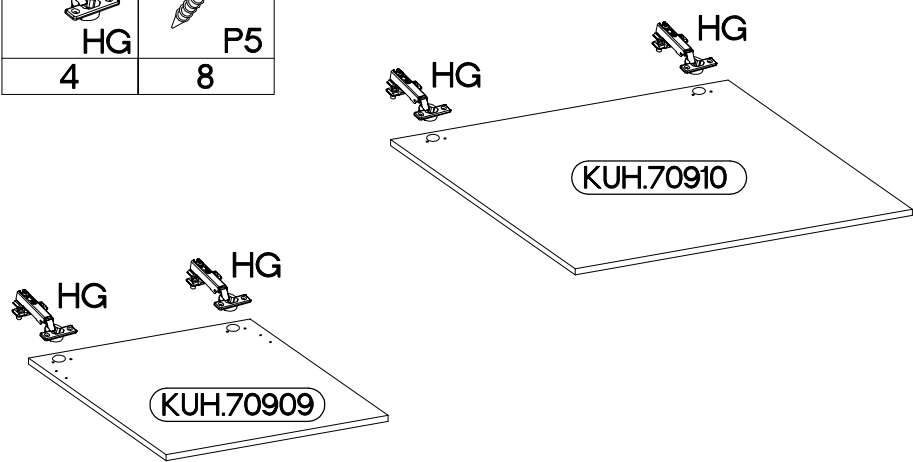


 †3.5x13mm P5 2	 120x30x15mm L25 1
--	---

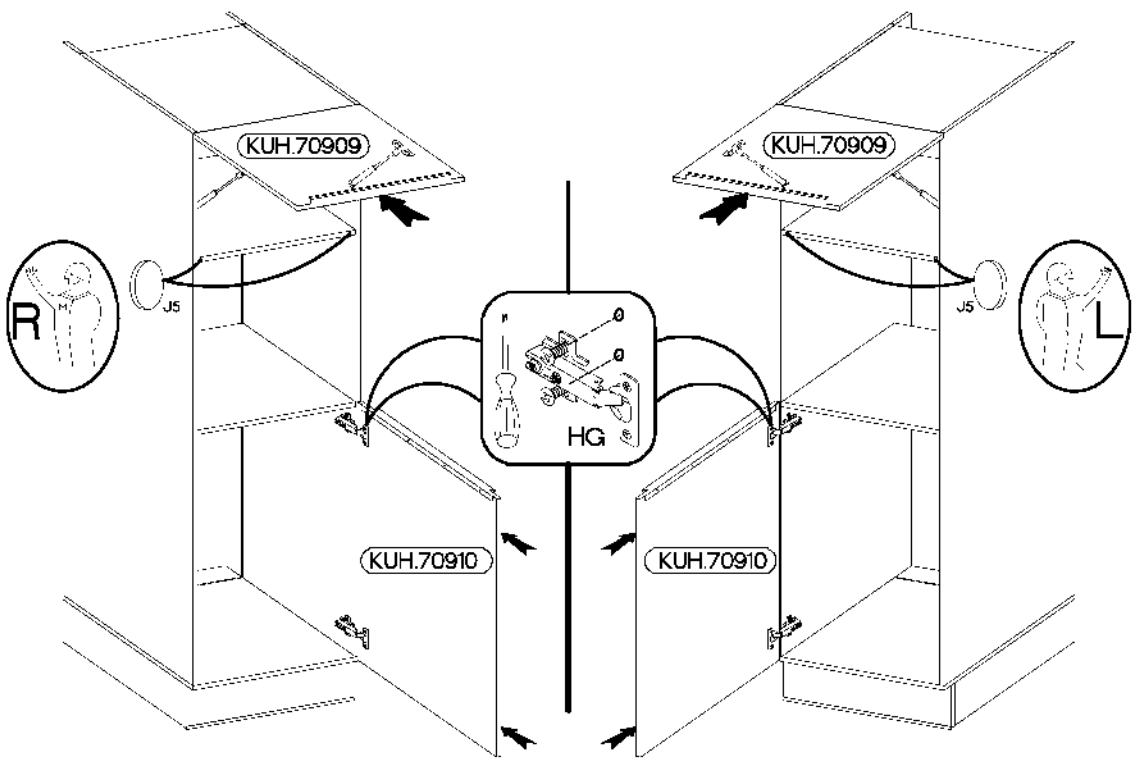
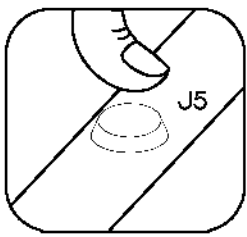
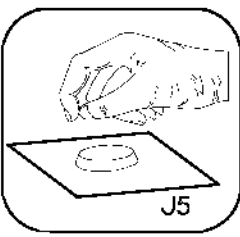
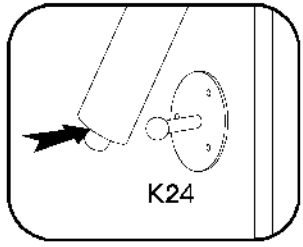
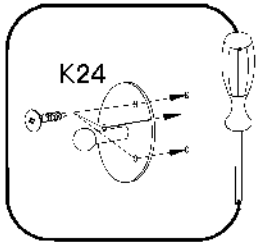
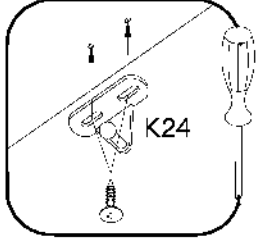
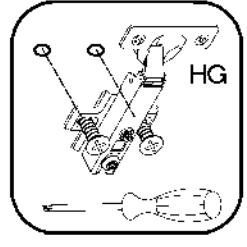
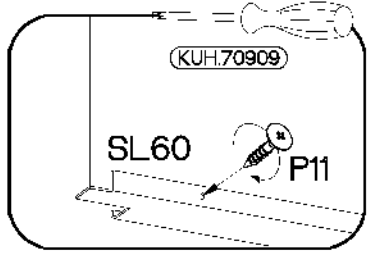
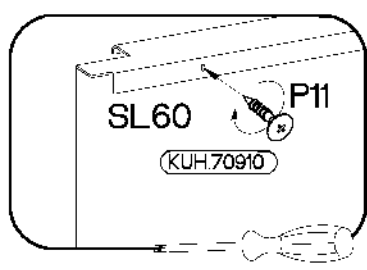
1. 
2. 
3. 
4. 
5. 



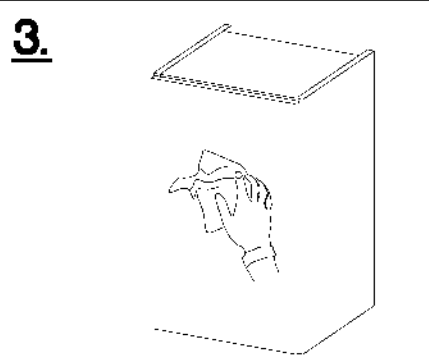
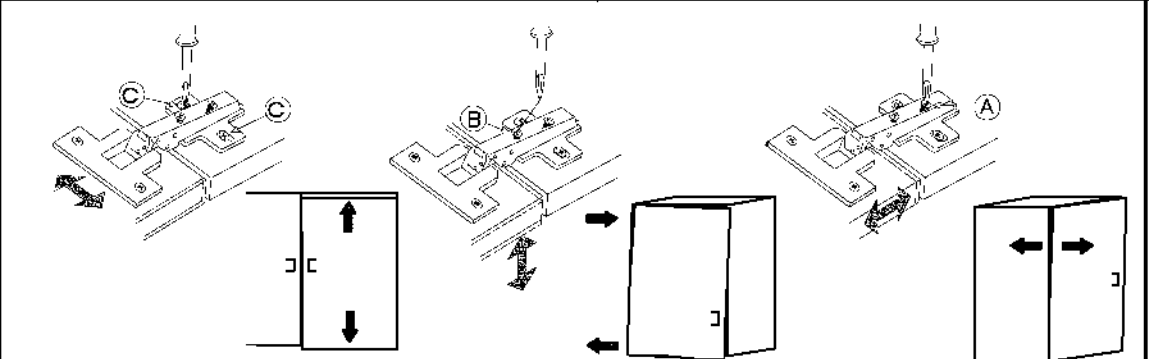
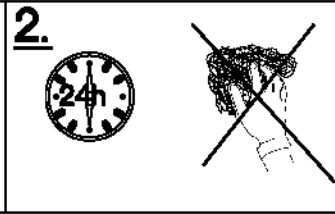
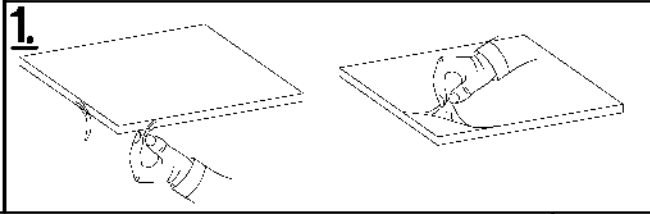
 †35/0mm HG 4	 †3.5x13mm P5 8
---	---

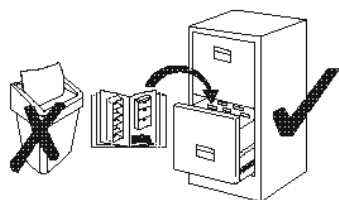
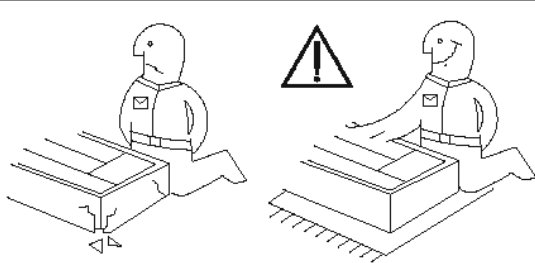
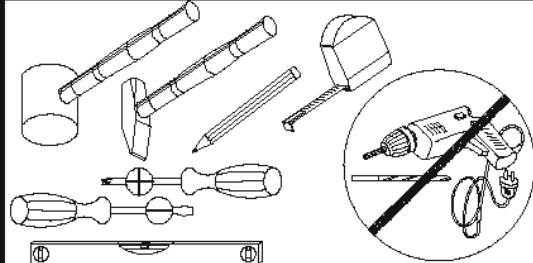
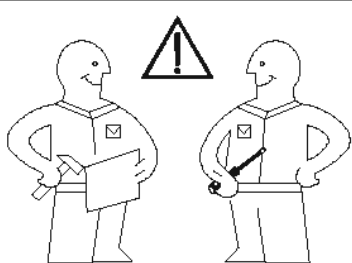


- ±3.0x16mm P11 8
- L=595mm SL60 2
- K24 2



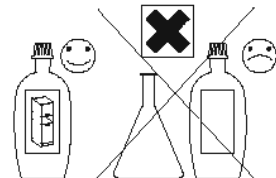
## VARIANT HIGH GLOSS



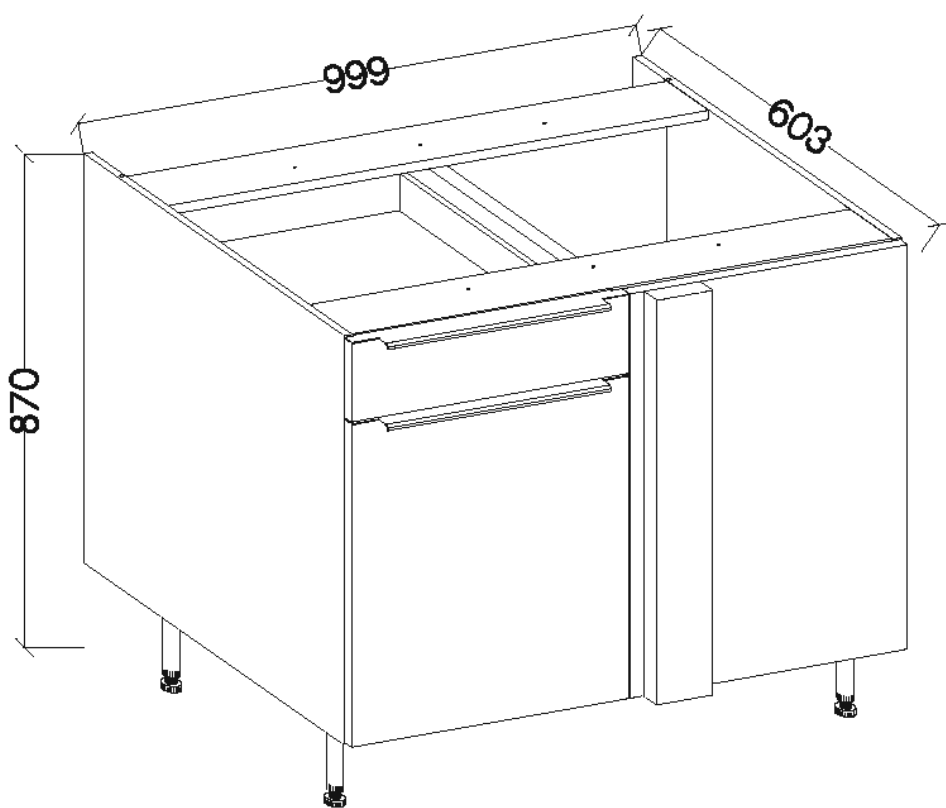


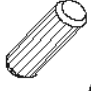


SAFADO / MARLEEN

73-156-...  
73-15G-...  
73-15H-...




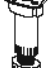








**respekta®**














±8x30mm  A	6,4 x 50mm  B	±6x42mm  B2
--	--	--

12      10      2

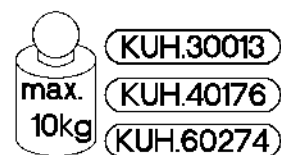
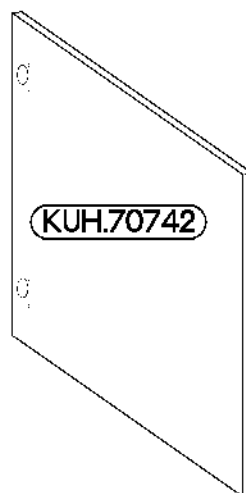
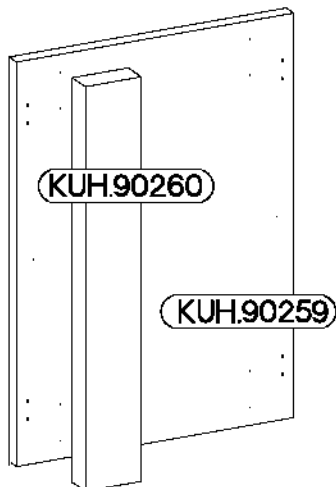
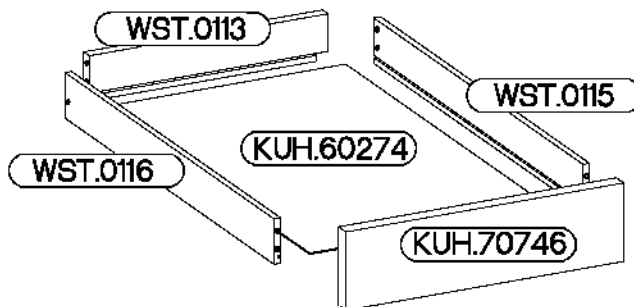
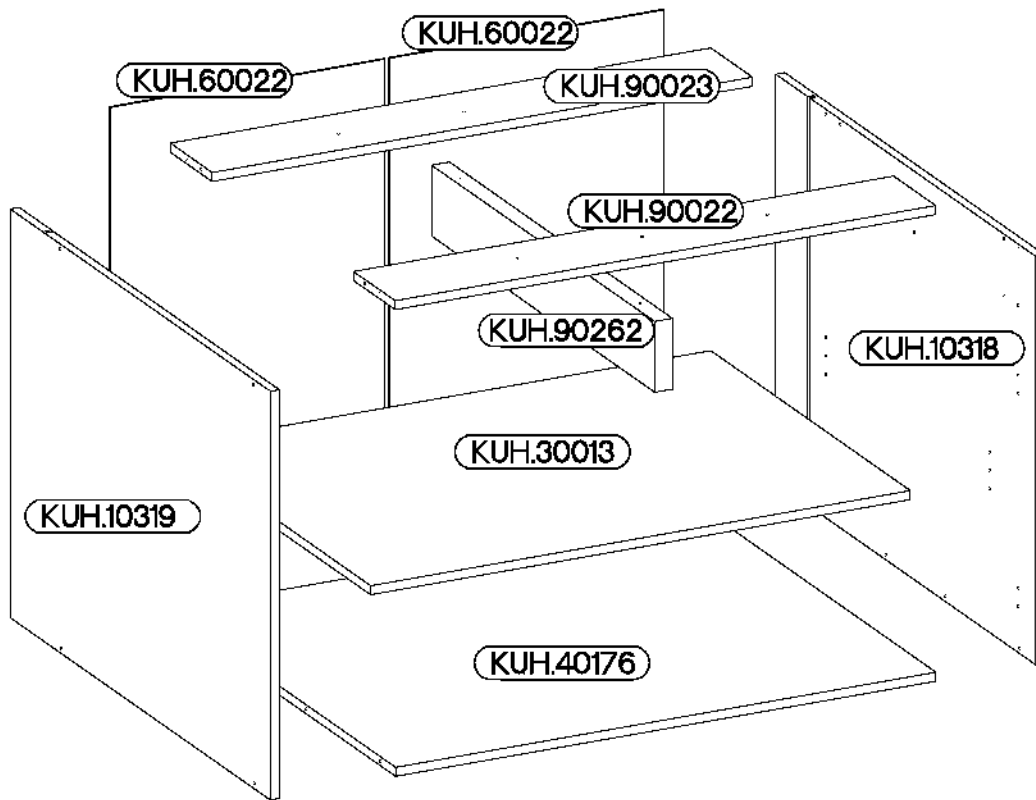
±12/10mm  C5	L=20mm  D2	 E1	 F15	 F16	±35/90°  HG6	L=450mm  I11	±5/16mm  J3	 L	L=680mm  L1
--	---	---	--	--	---	--	--	--	--

2      2      8      4      2      2      1      4      2      1

±6.3x13mm  M2	 O	 O1	±4.0x16mm  P1	±3.5x13mm  P5	±3.0x20mm  P7	±4.0x30mm  P8	±3.0x16mm  P11	±4.0x35mm  R3	L=495mm  SL50	 T3
---	--	---	--	--	--	--	---	--	--	---

8      1      1      10      24      15-20      2      6      4      2      5

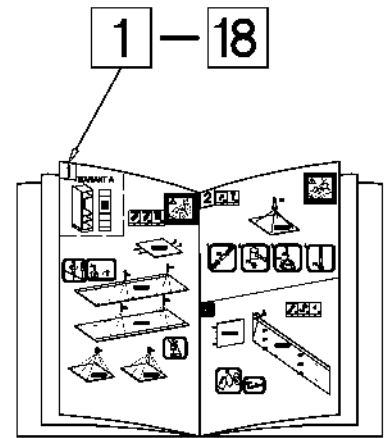
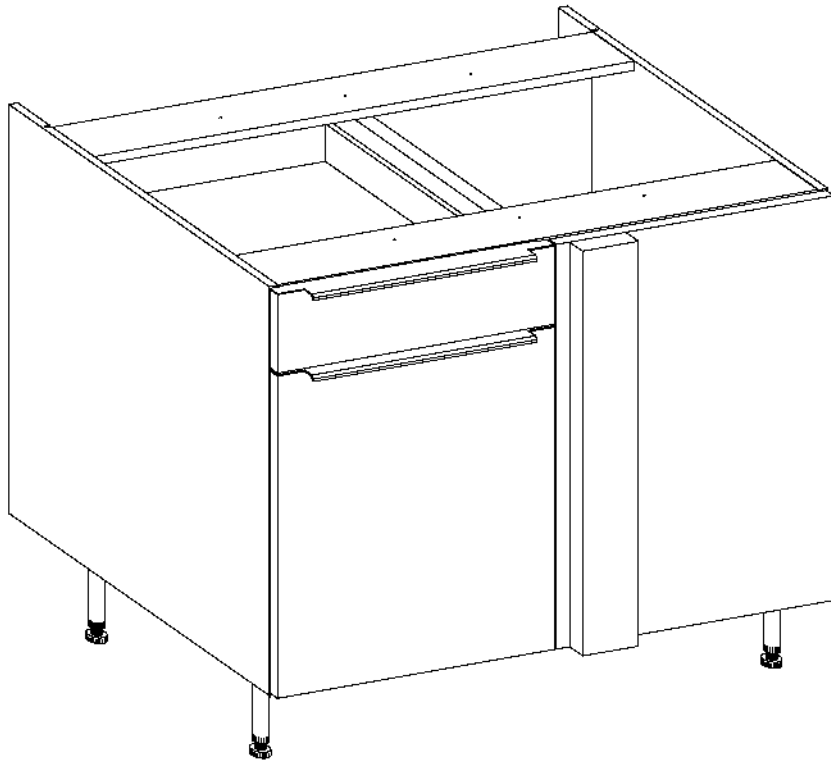
**ISM-KUH-01596**



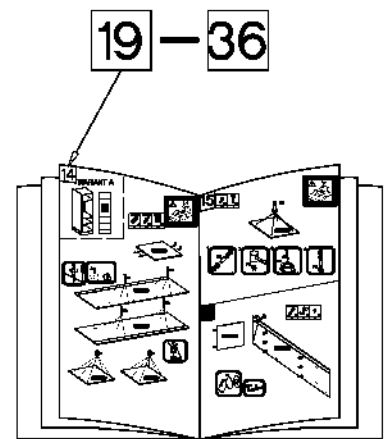
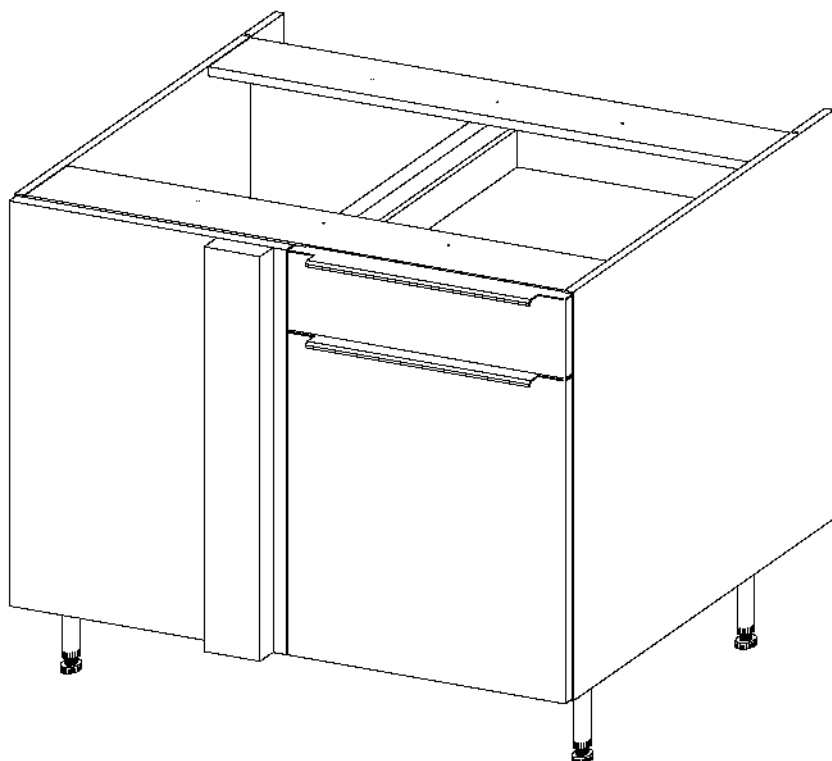
Colli	Spare Part	Dimension
Colli 1/2	KUH.10318	720x560x16
	KUH.10319	720x560x16
	KUH.30013	966x430x16
	KUH.40176	967x485x16
	KUH.60022 x2	713x491x2,5
	KUH.60274	448x437x2,5
	KUH.70742	568x496x16
	KUH.70746	138x496x16
	KUH.90259	713x496x16
	KUH.90260	713x100x28
	KUH.90262	480x125x32
	WST.0113	427x80x12
	WST.0115	450x80x12
WST.0116	450x80x12	
Colli 2/2	KUH.90022	967x90x16
	KUH.90023	967x90x16



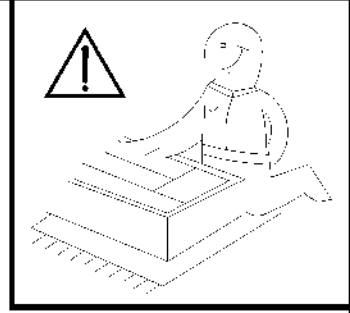
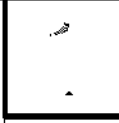
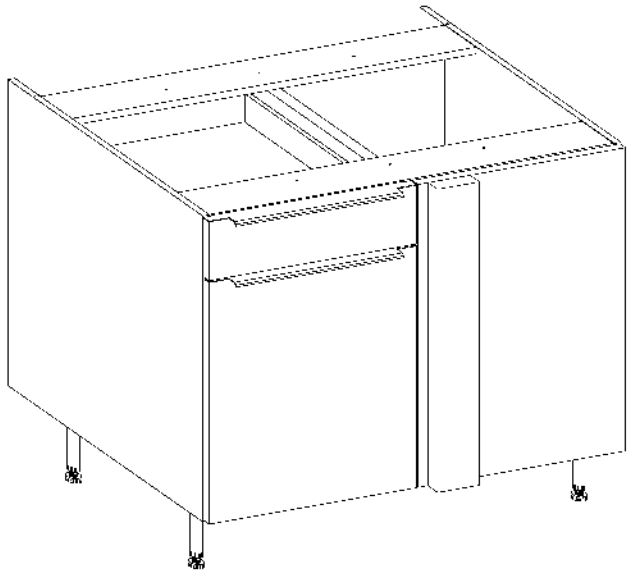
# VARIANT L



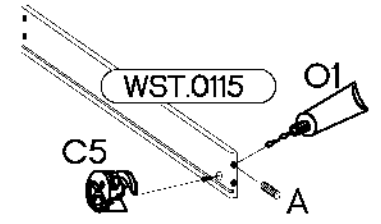
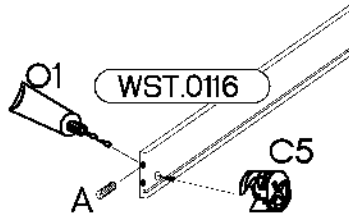
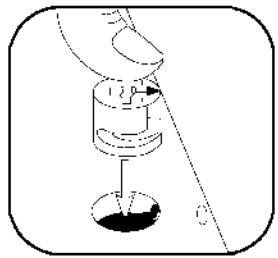
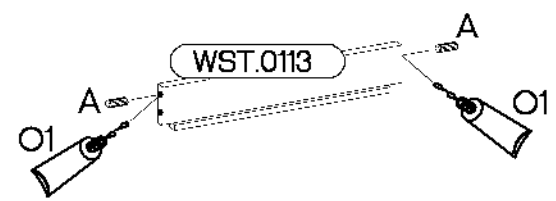
# VARIANT R



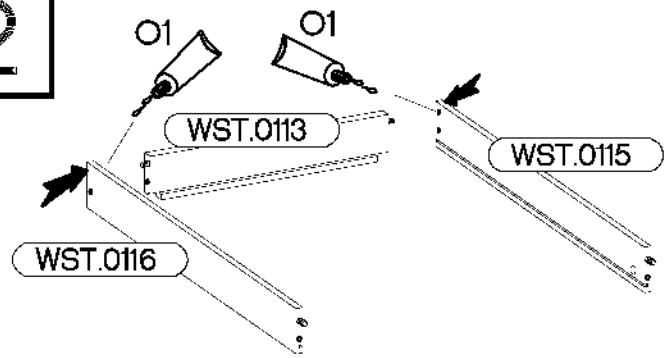
# VARIANT L



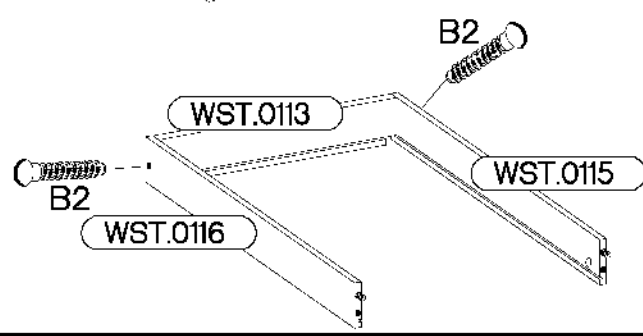
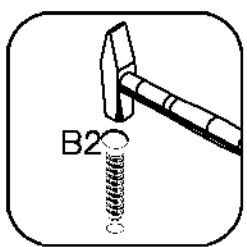
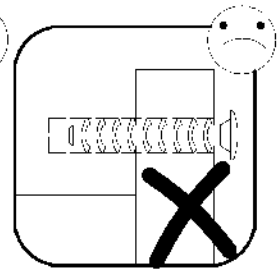
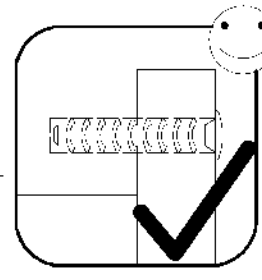
+12/10mm  C5 2	+8x30mm  A 4	 O1 1
-------------------------	-----------------------	-------------



2

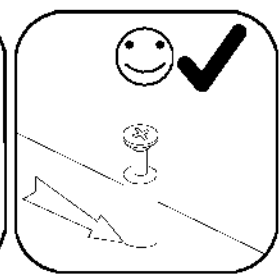
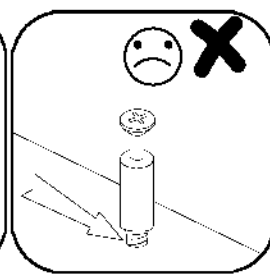
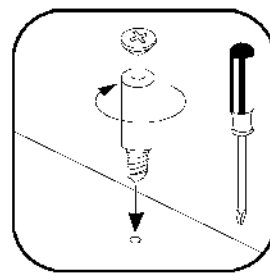
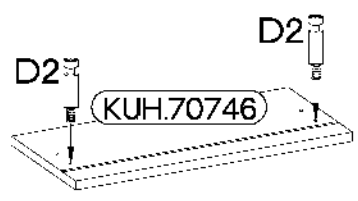


+6x42mm  B2 2	 O1 1
------------------------	-------------

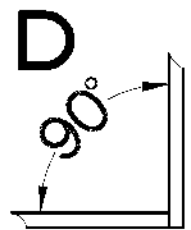
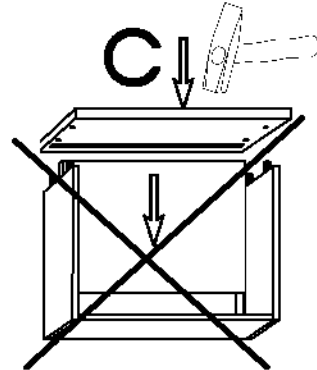
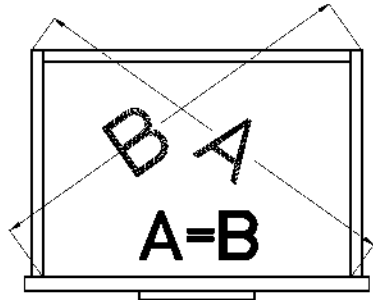
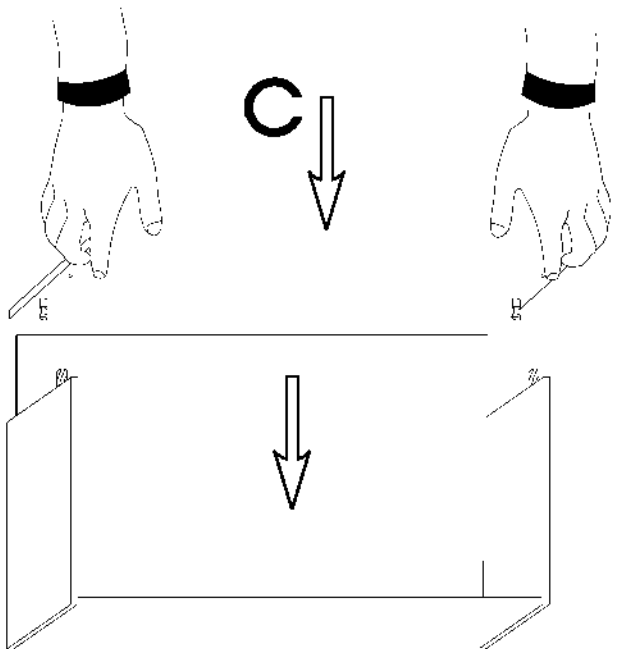
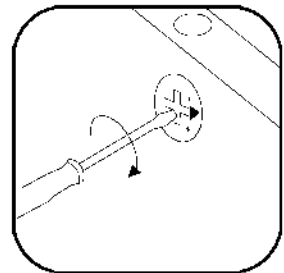
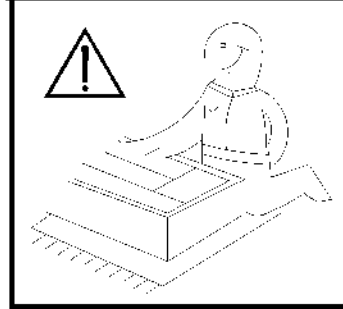
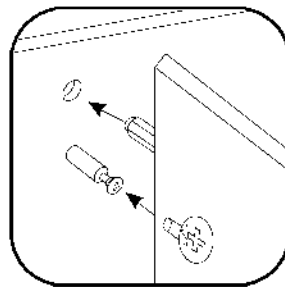
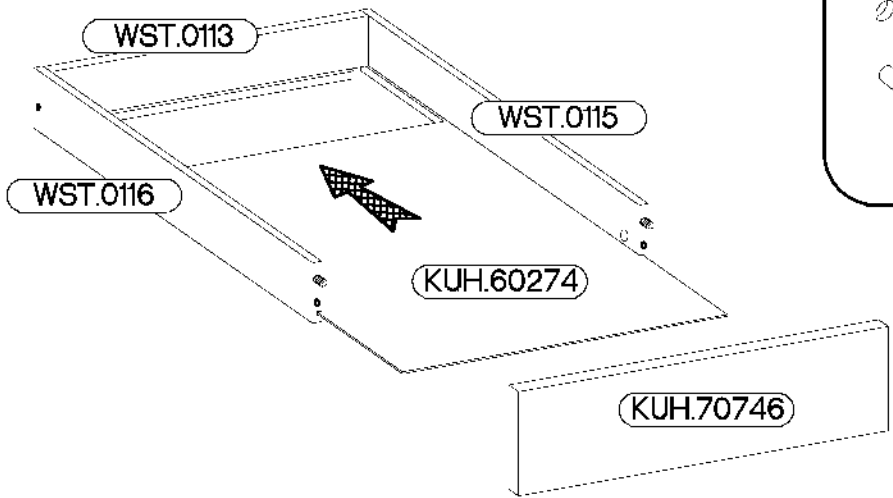


3

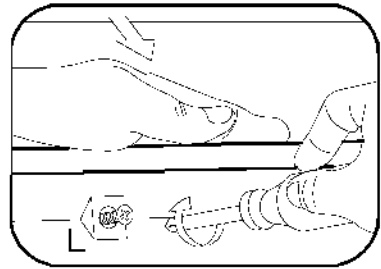
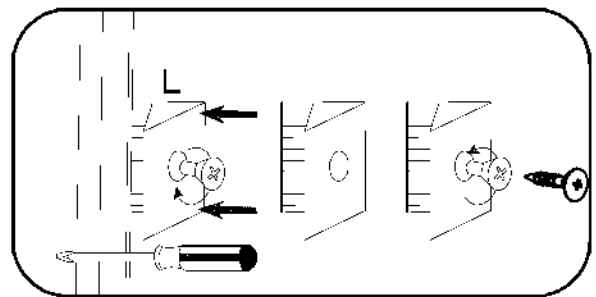
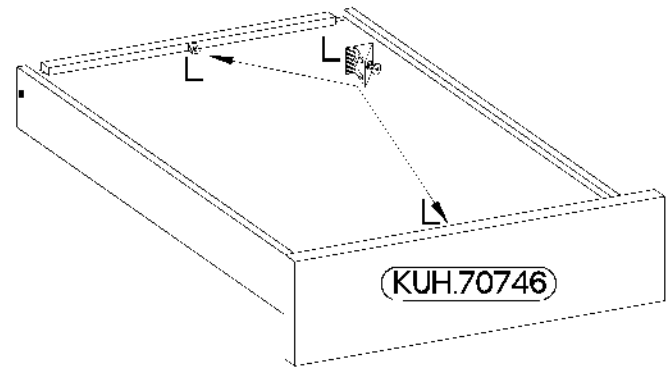
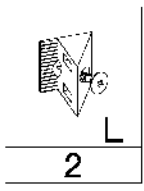
L=20mm  D2 2
-----------------------



4

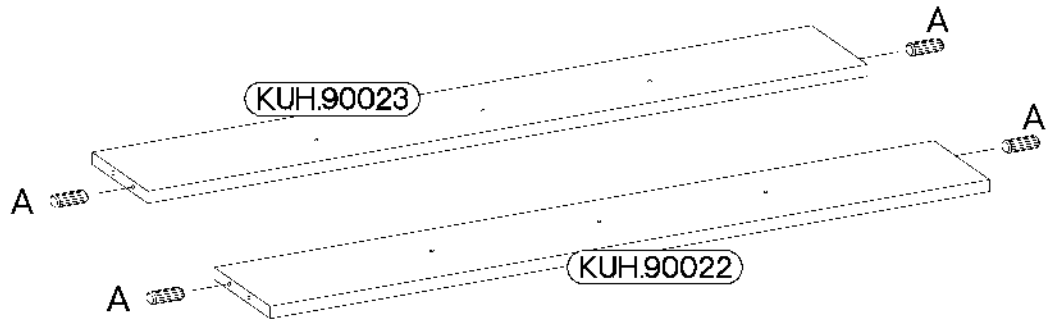
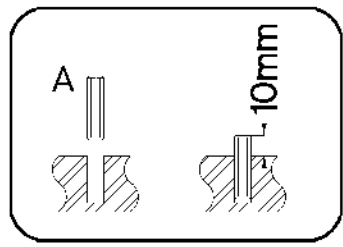
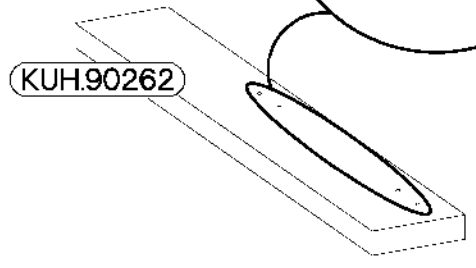
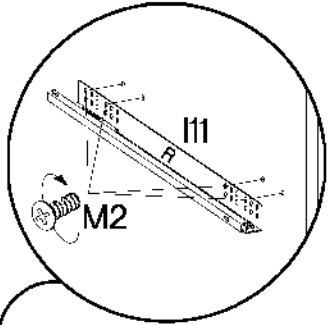
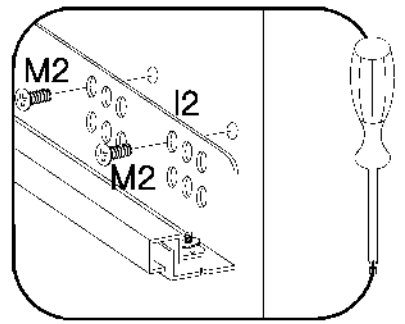
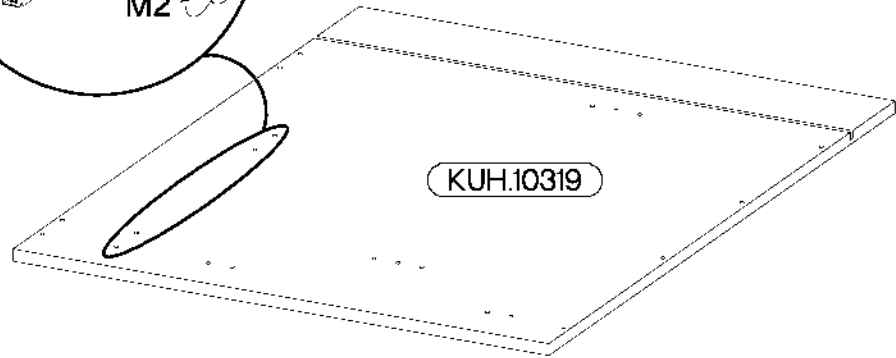
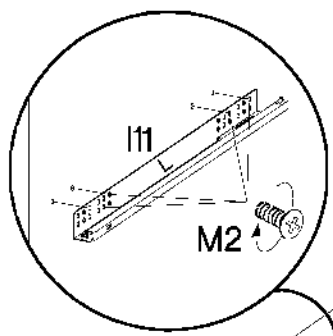
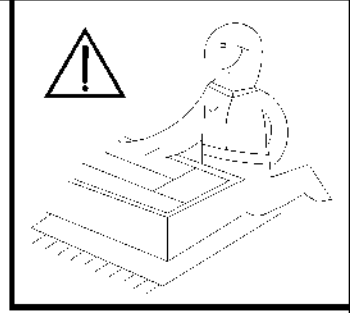


5





$\varnothing 8 \times 30 \text{mm}$	$\varnothing 6.3 \times 13 \text{mm}$
A	M2
L=450mm	
4	8





φ3.5x13mm



P5

16



F15

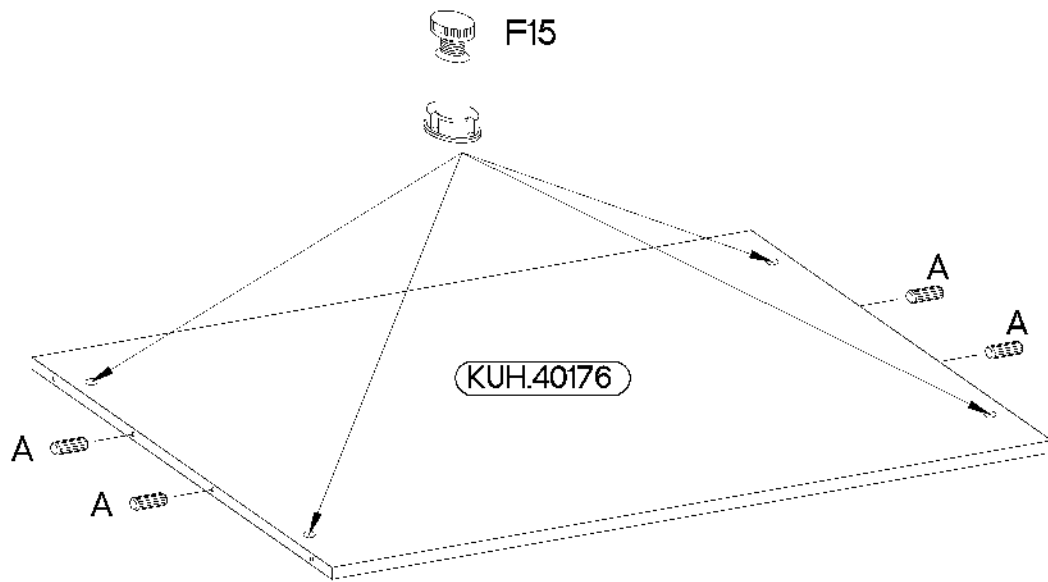
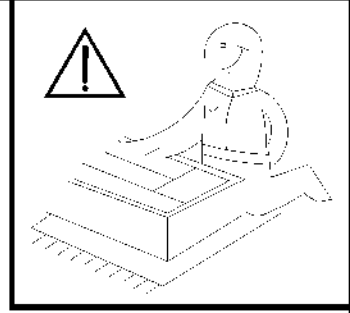
4

φ8x30mm

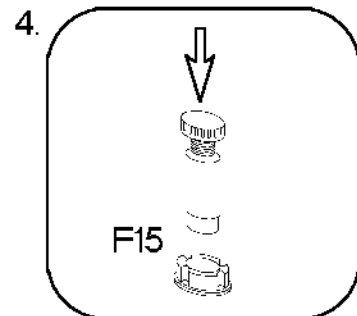
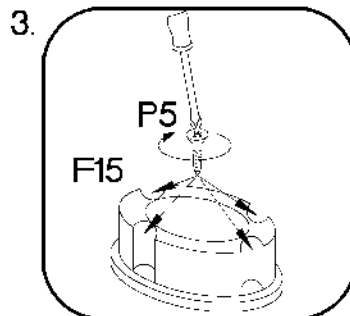
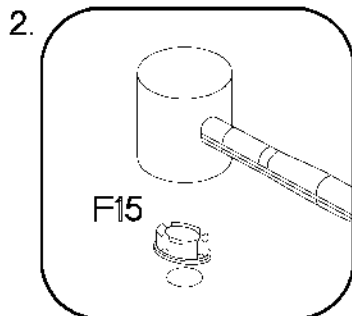
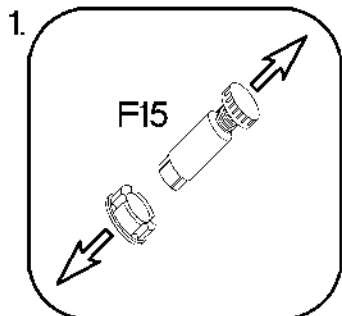
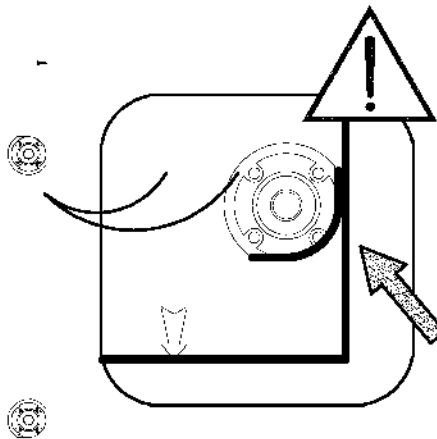


A

4



967





6,4 x 50mm



B

4



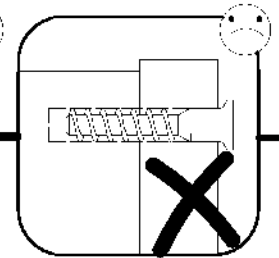
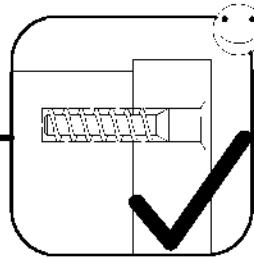
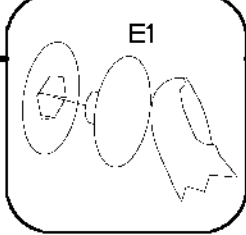
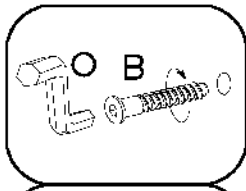
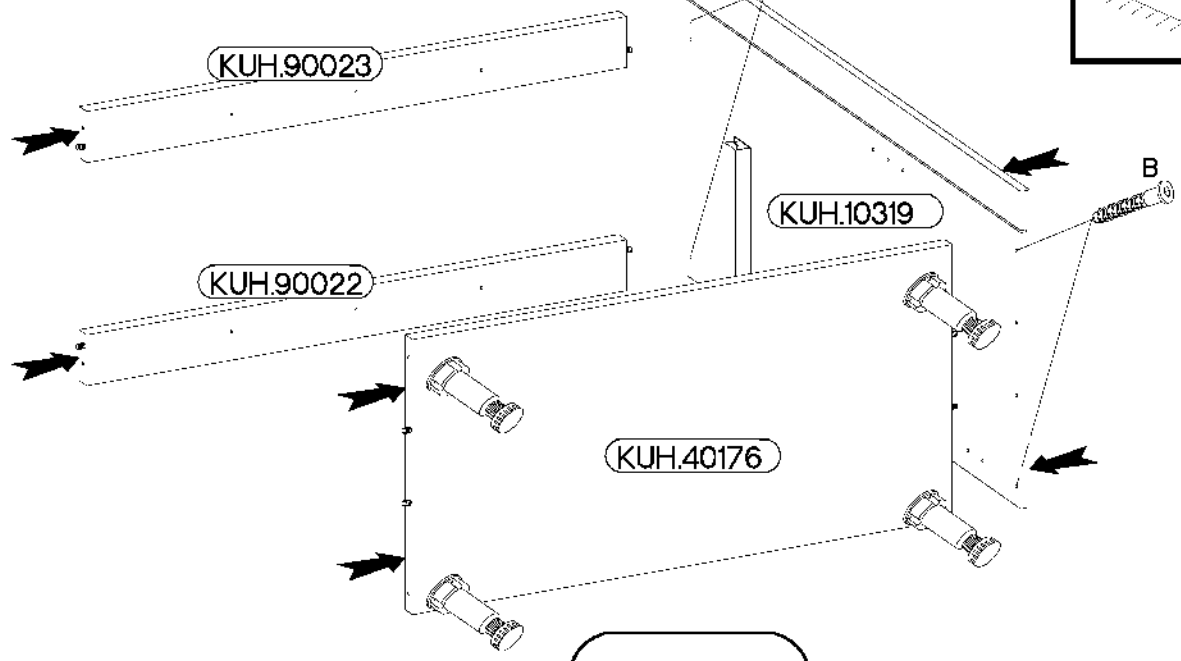
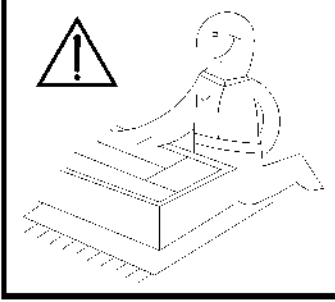
O

1



E1

4



6,4 x 50mm



B

4



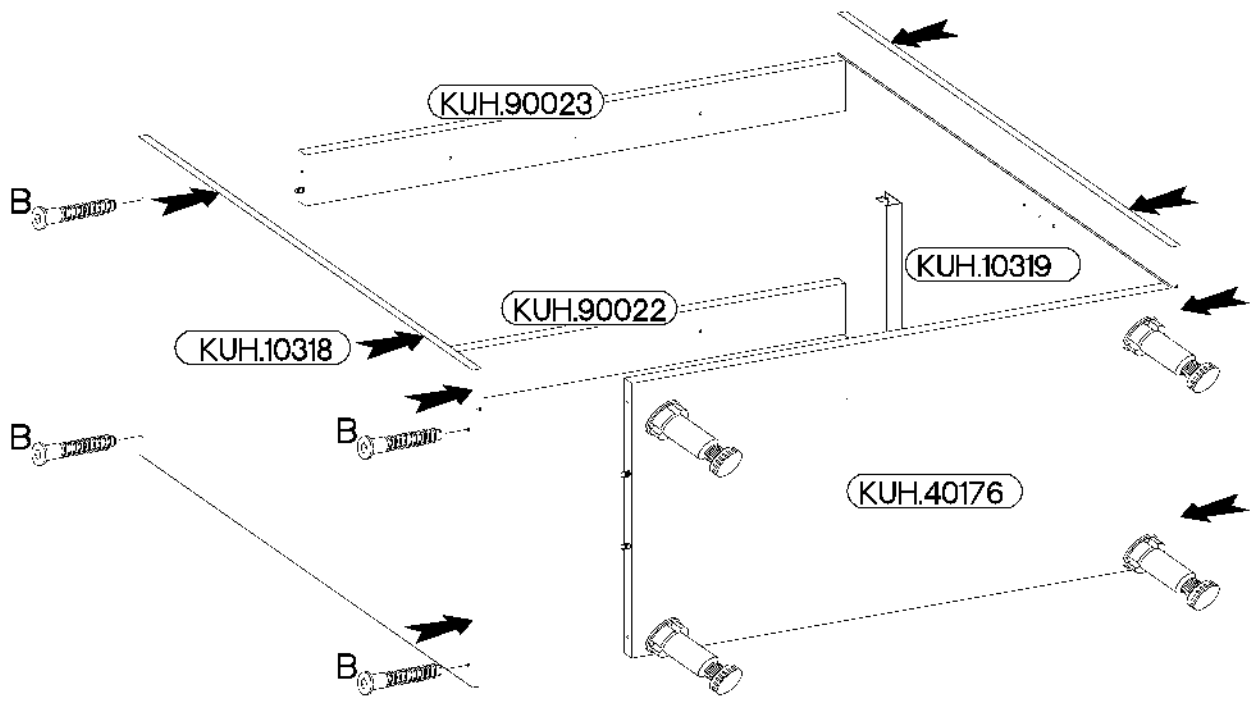
O

1



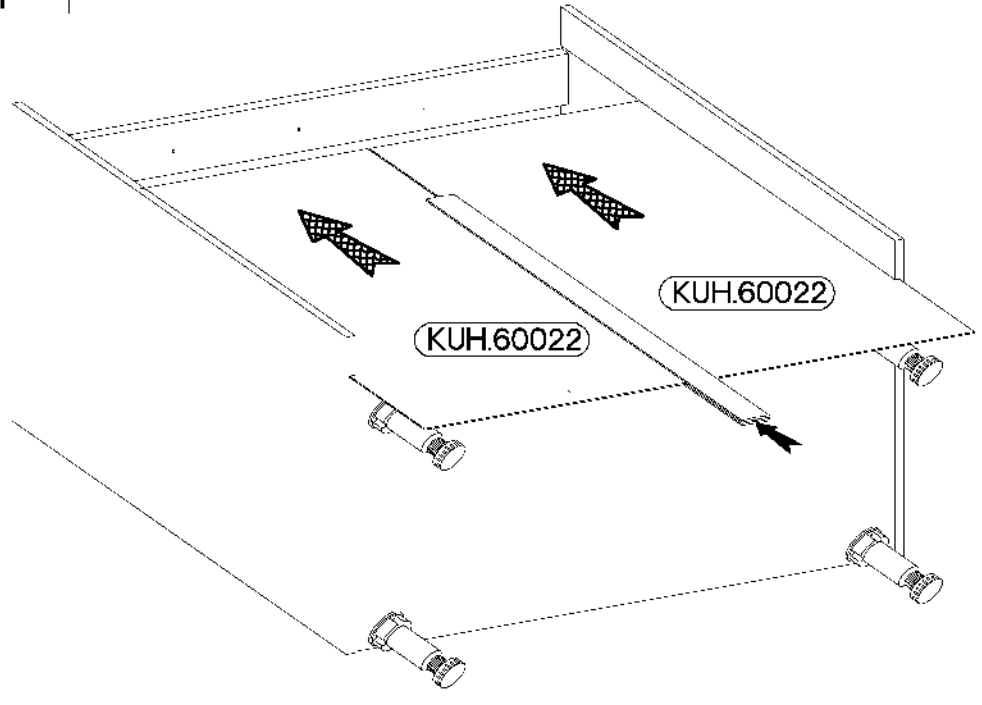
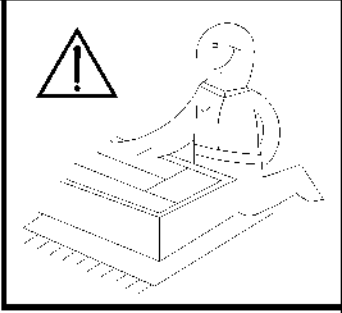
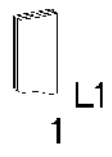
E1

4



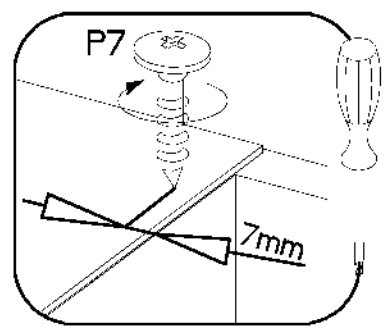
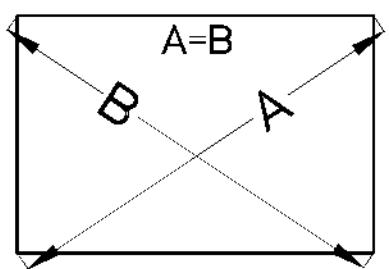
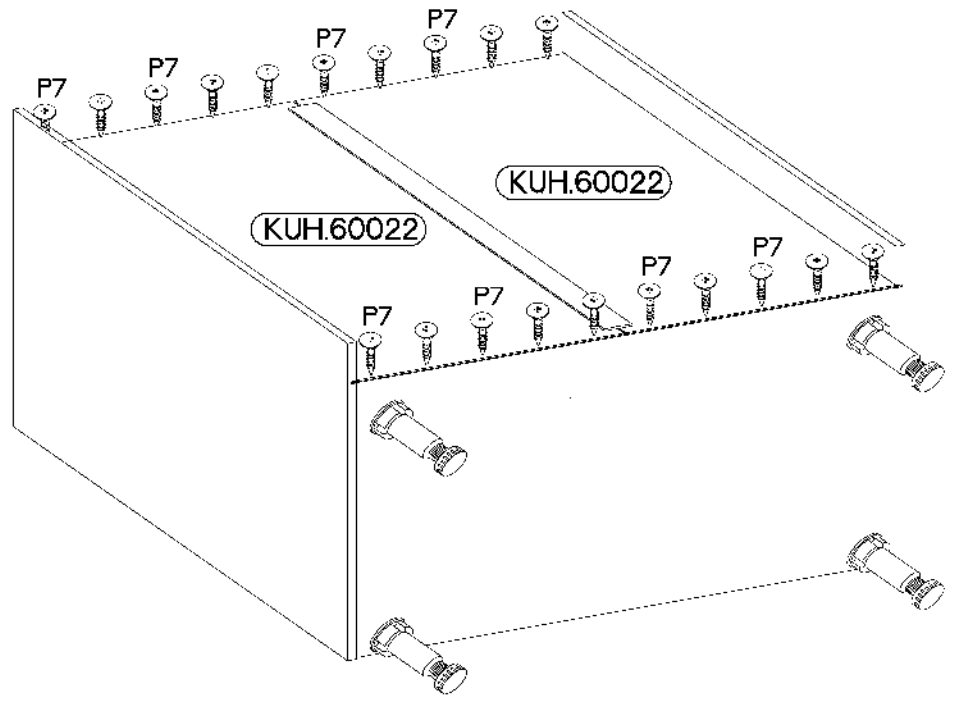
10

L=680mm

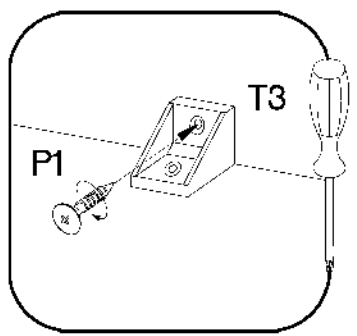
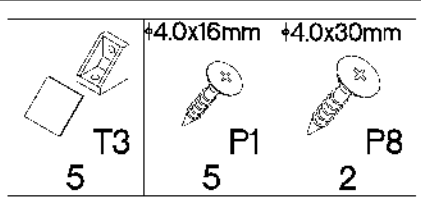


11

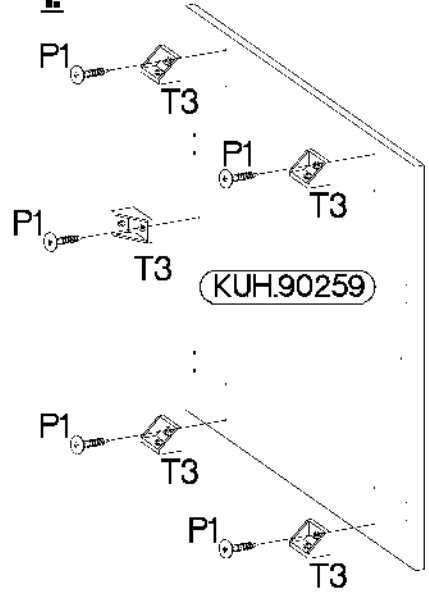
3.0x20mm



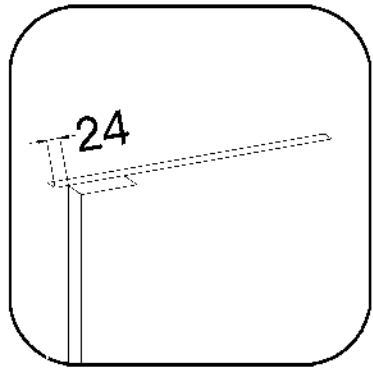
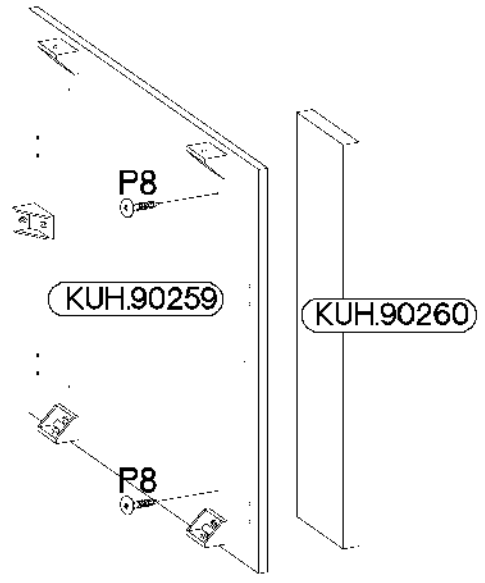
2



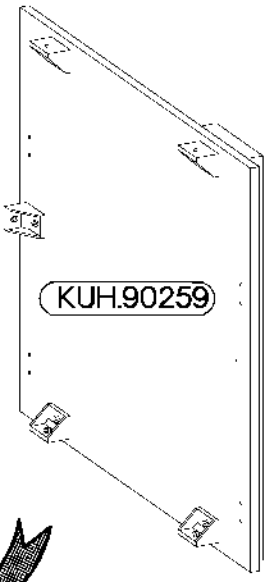
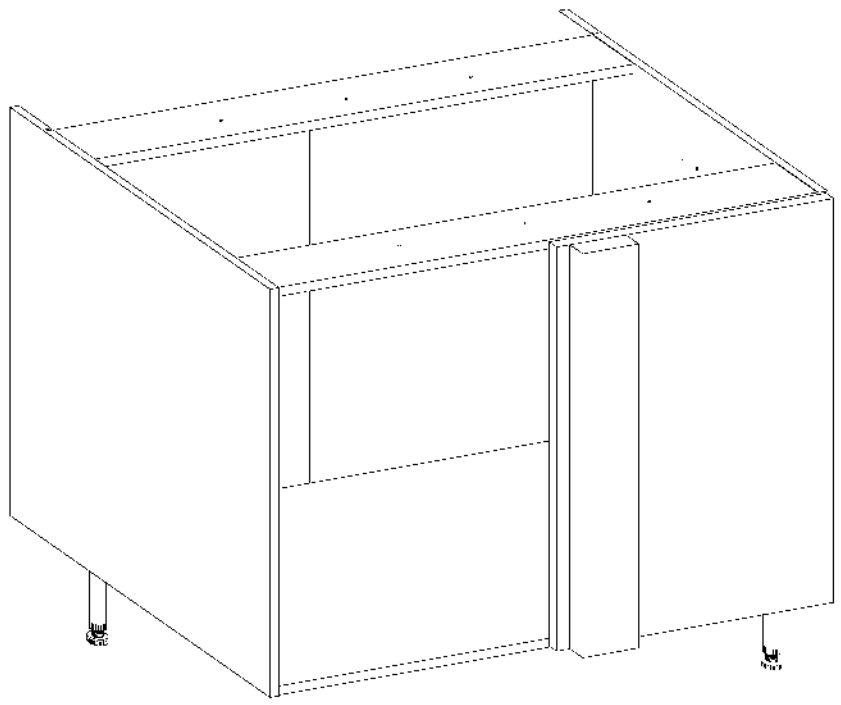
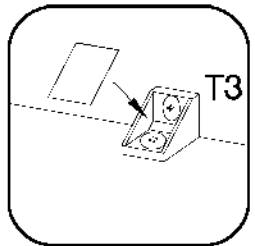
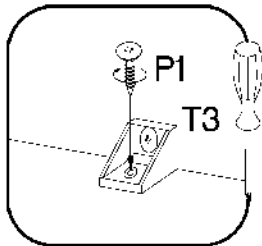
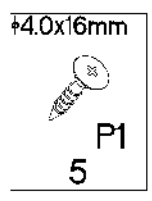
1



2



3





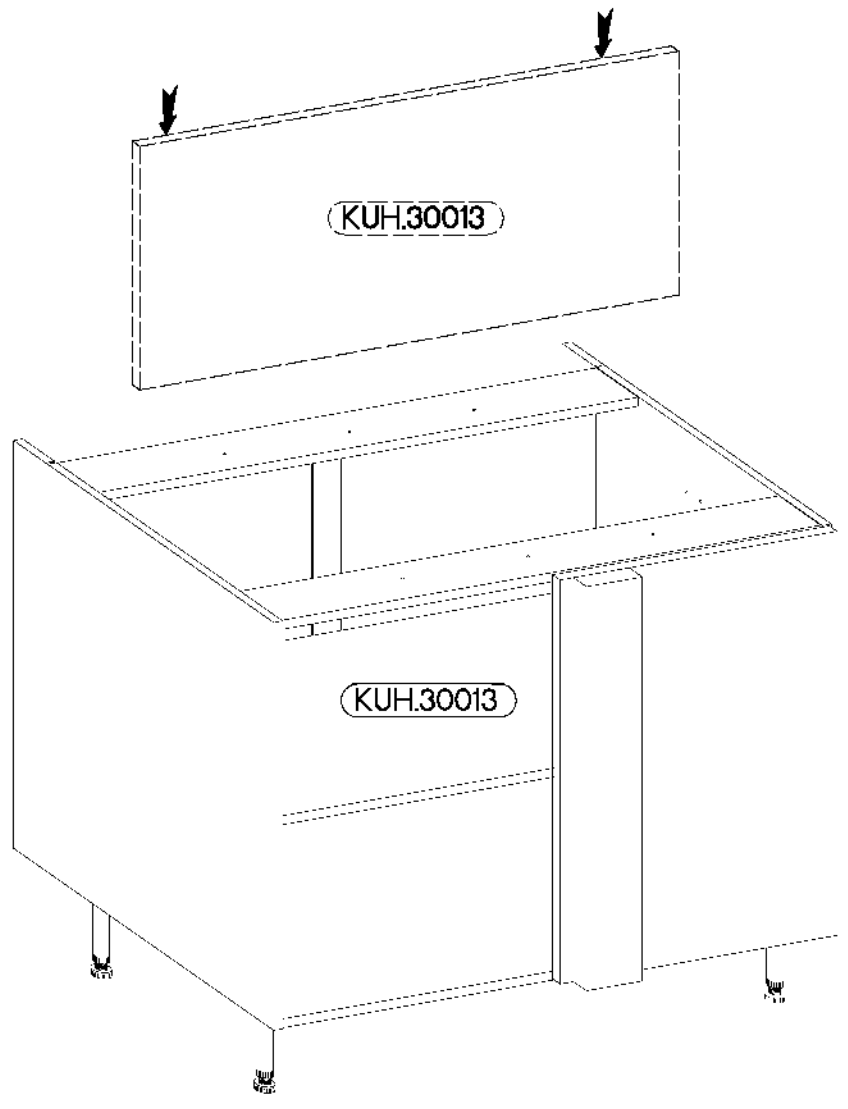
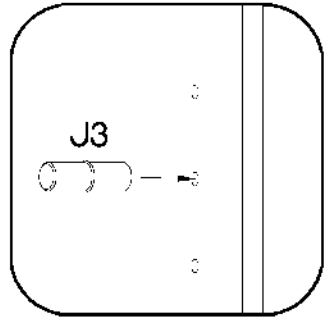
# 14

±5/16mm



J3

4



# 15

6,4 x 50mm



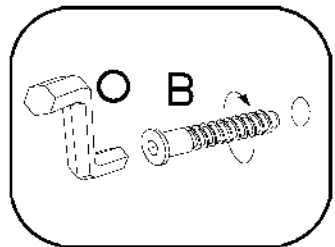
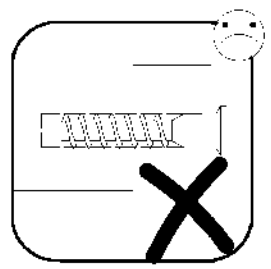
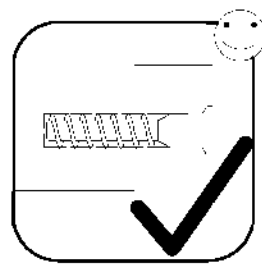
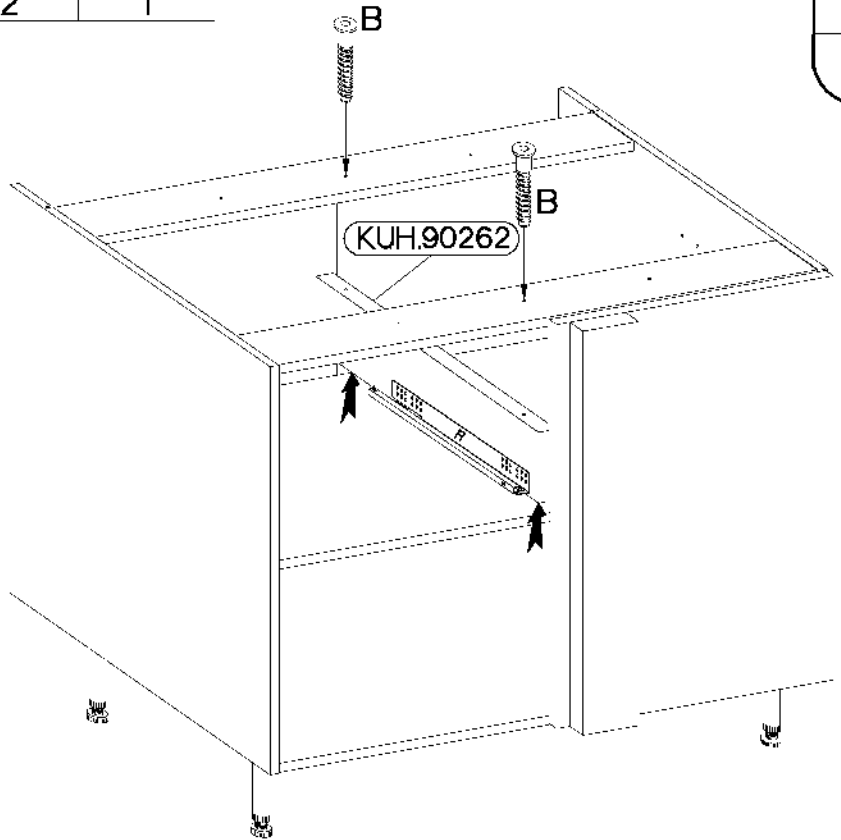
2

B



1

O



16

±4.0x35mm

±3.5x13mm



R3

4



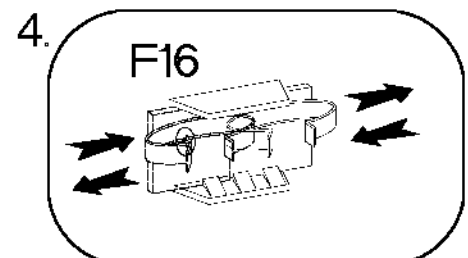
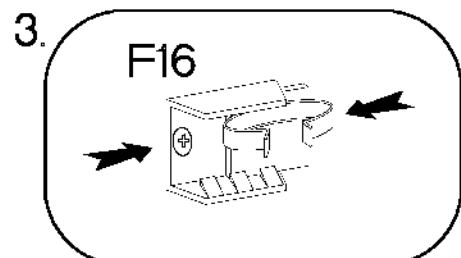
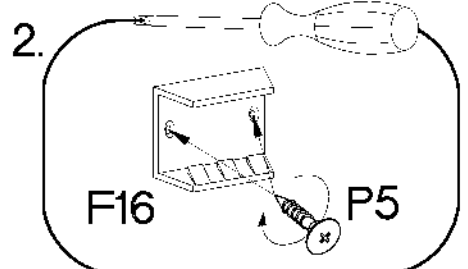
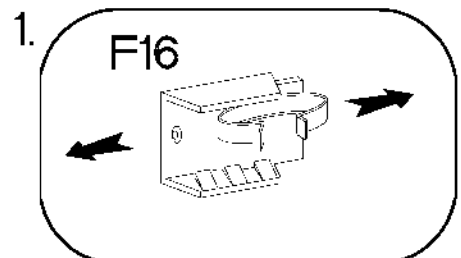
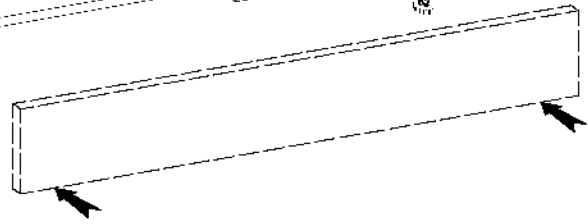
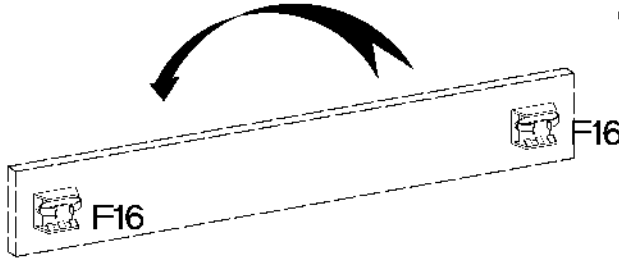
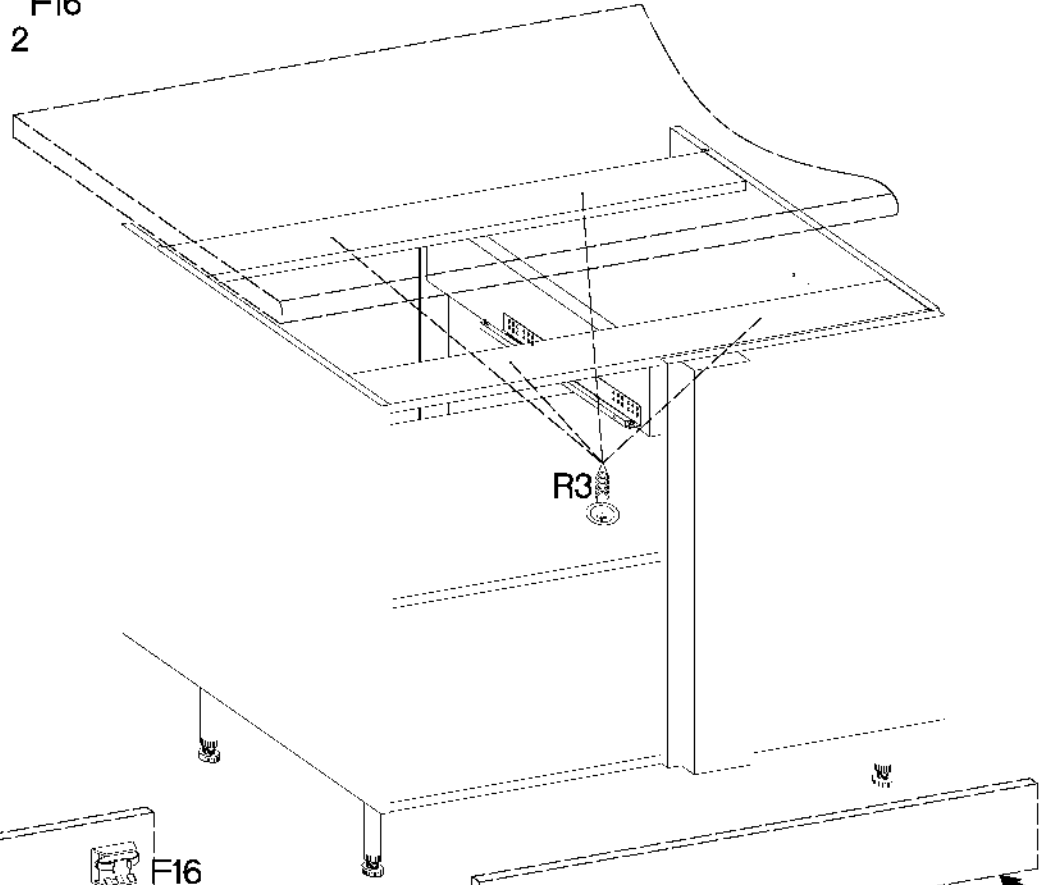
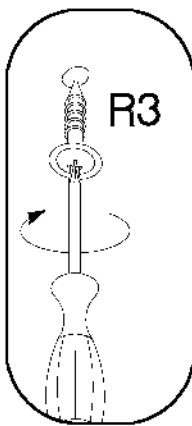
P5

4



F16

2



17

±35/90°

±3.5x13mm



HG6

2

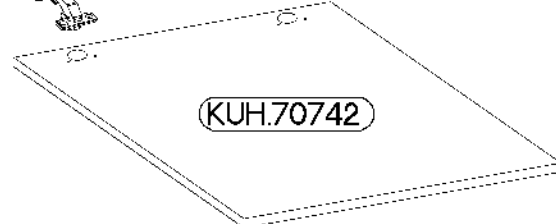


P5

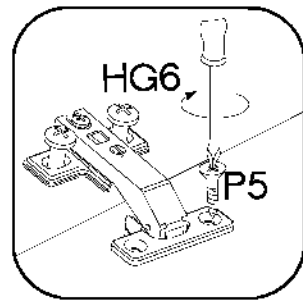
4





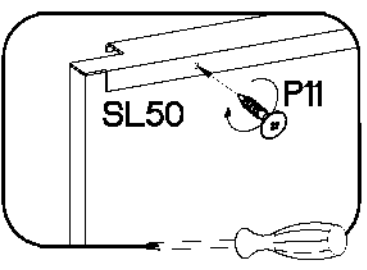
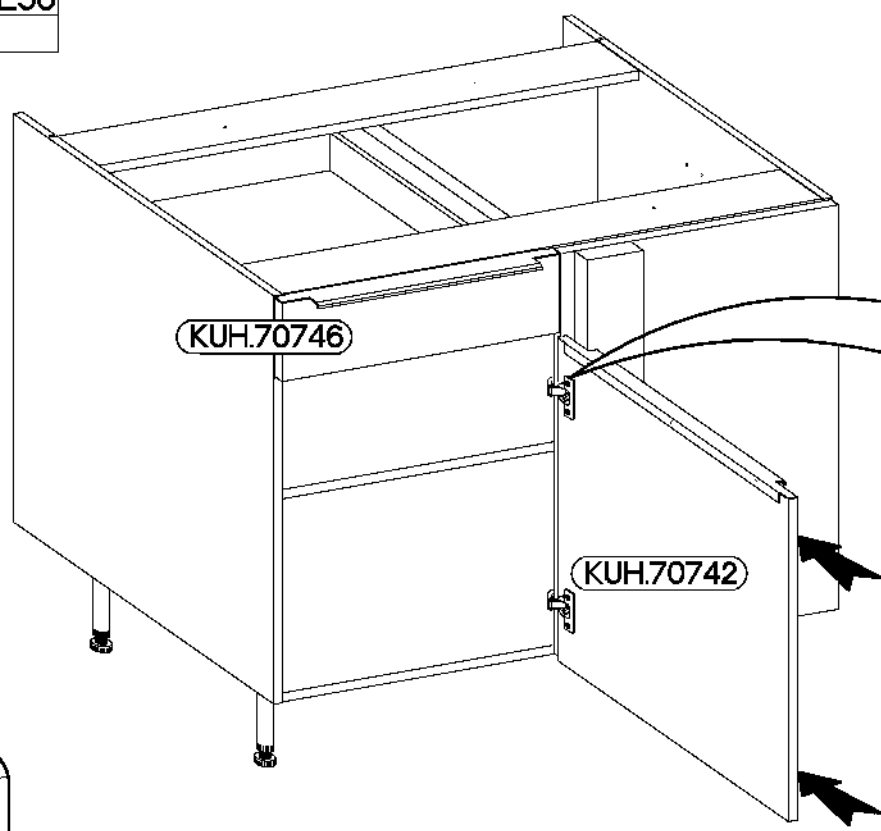
HG6



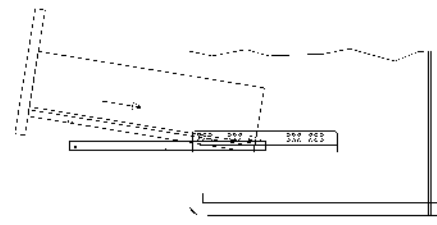
(KUH.70742)



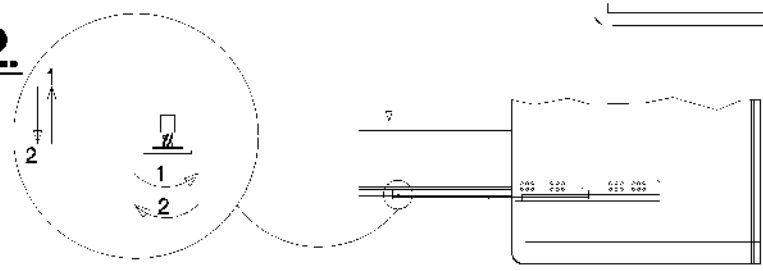
3.0x16mm	L=495mm
	
P11	SL50
6	2



**1.**

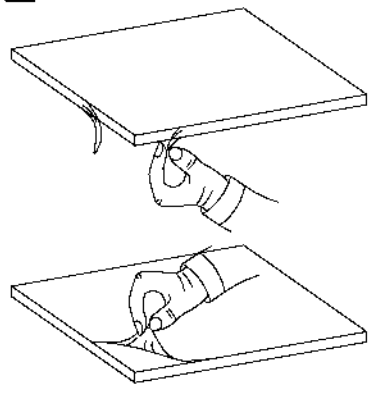


**2.**



## VARIANT HIGH GLOSS

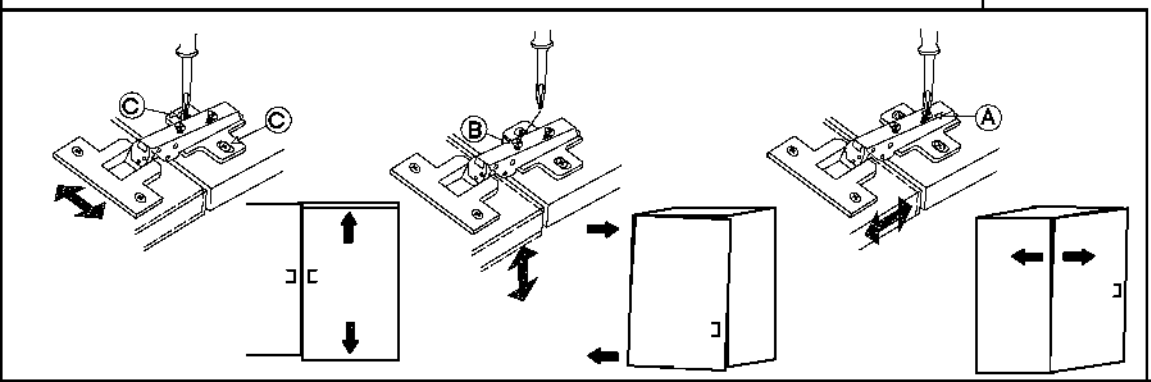
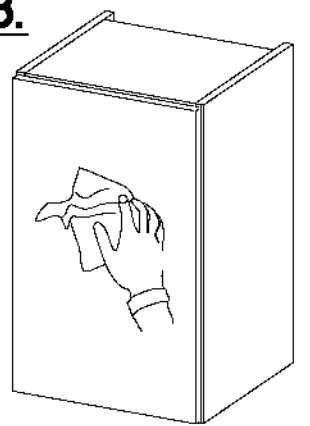
**1.**



**2.**

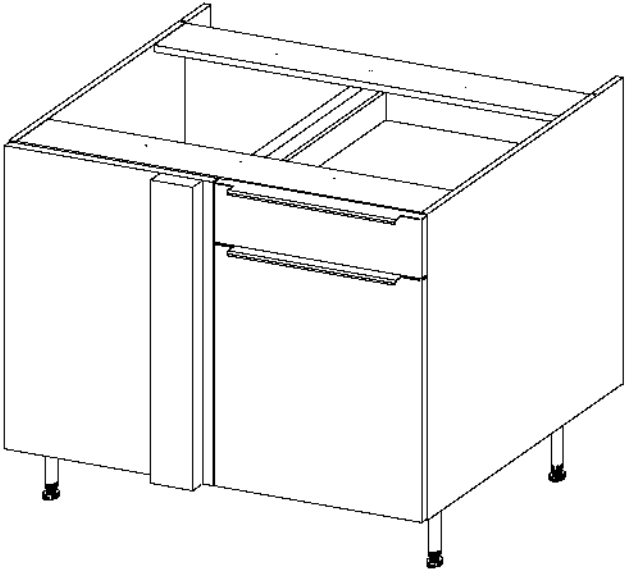
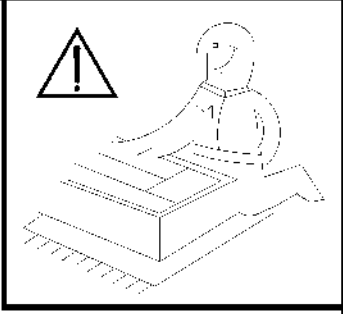


**3.**

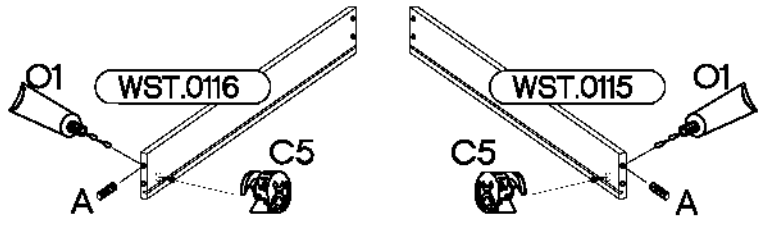
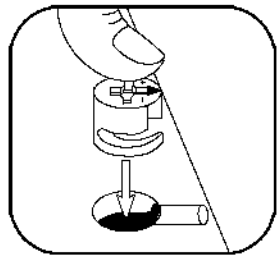
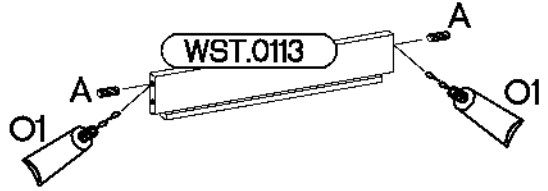


# VARIANT R

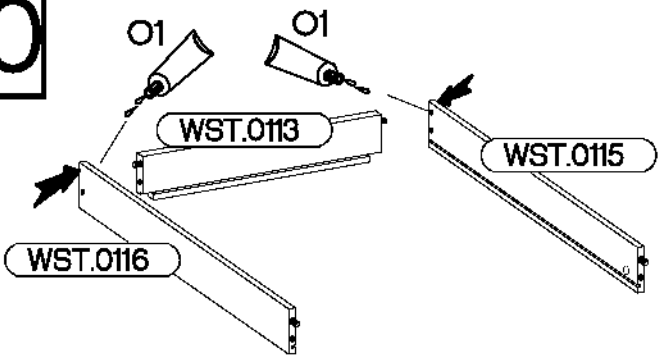
# 19



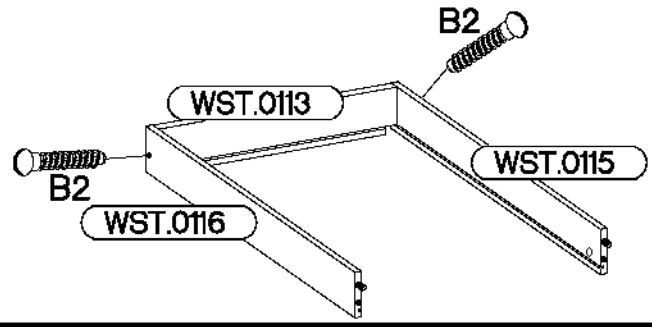
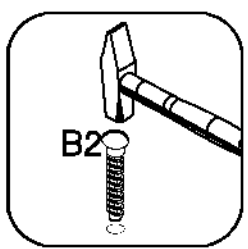
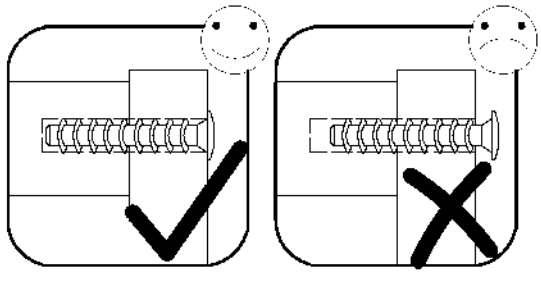
†12/10mm  <b>C5</b> 2	†8x30mm  <b>A</b> 4	 <b>O1</b> 1
--------------------------------	------------------------------	--------------------



# 20

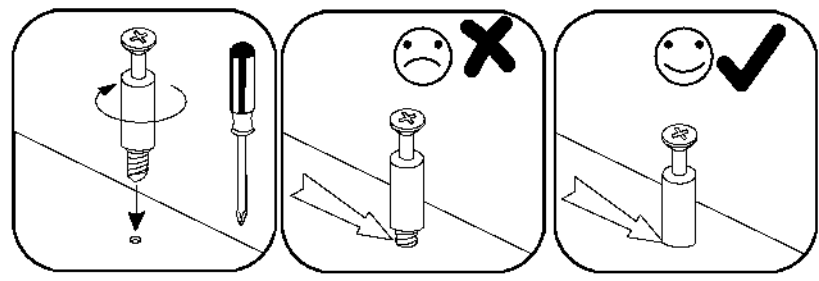
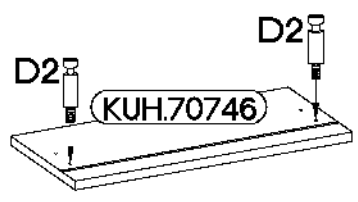


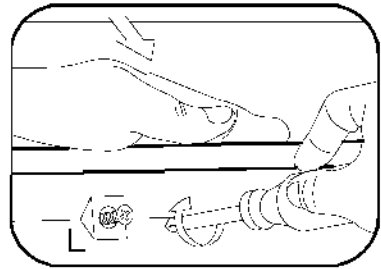
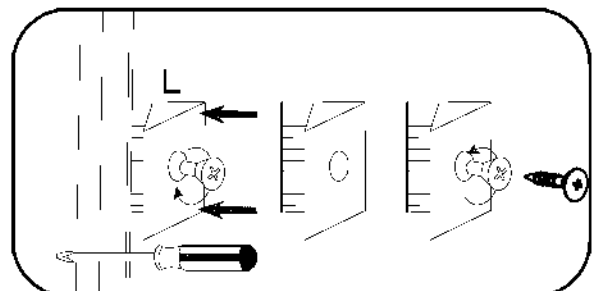
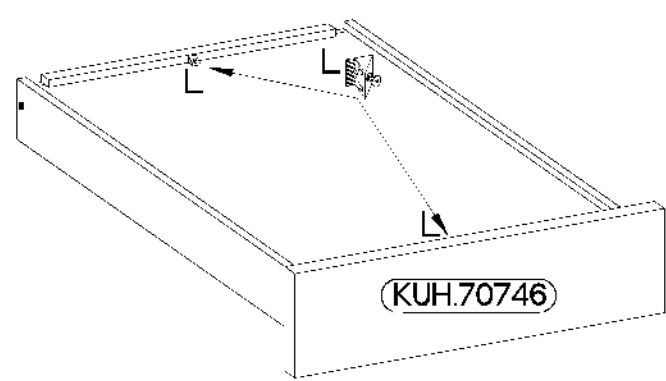
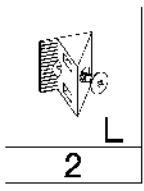
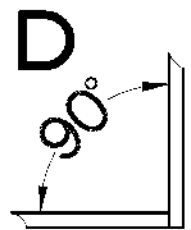
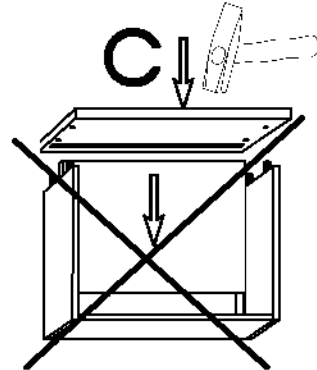
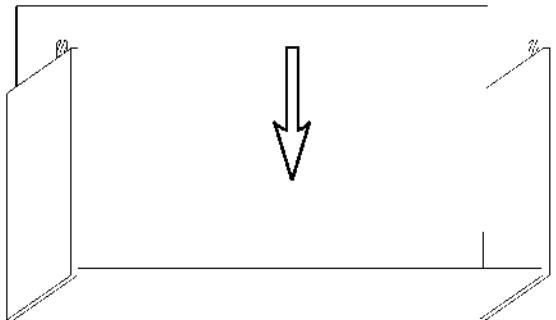
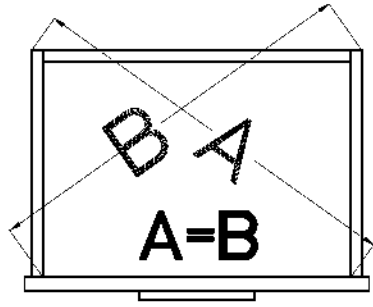
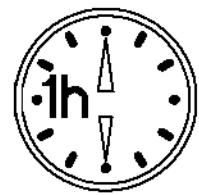
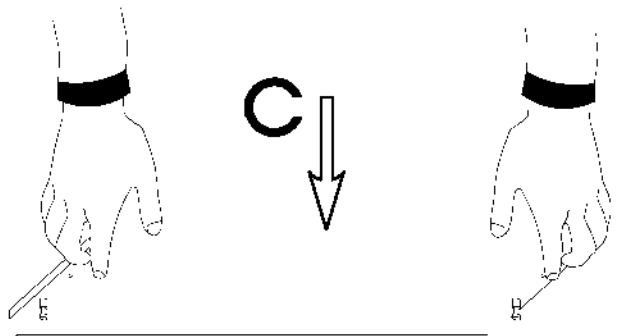
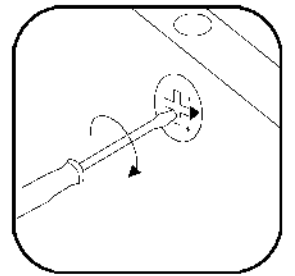
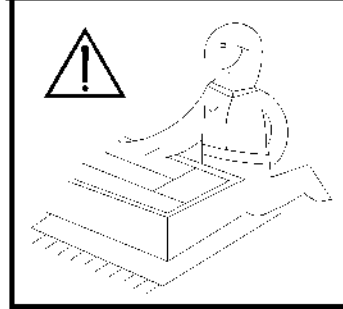
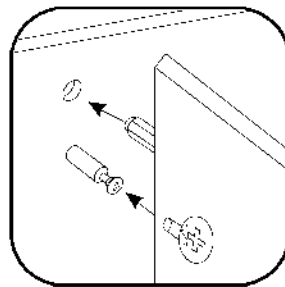
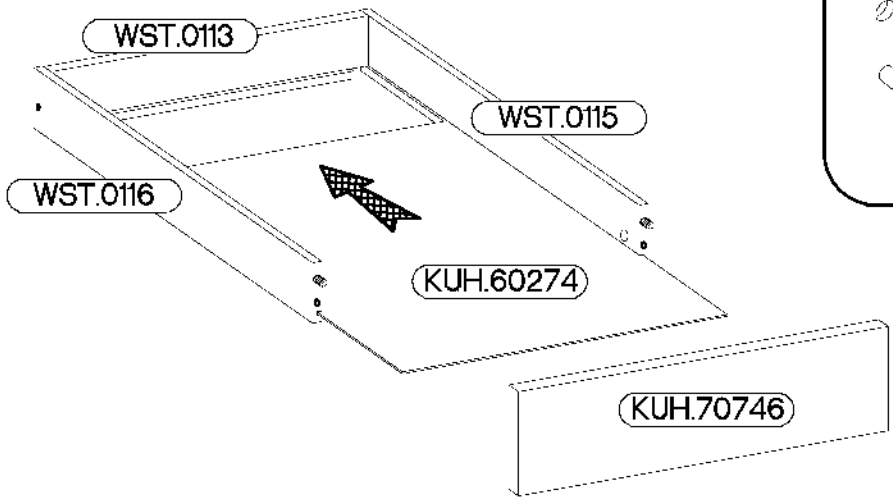
†6x42mm  <b>B2</b> 2	 <b>O1</b> 1
-------------------------------	--------------------

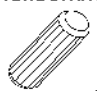



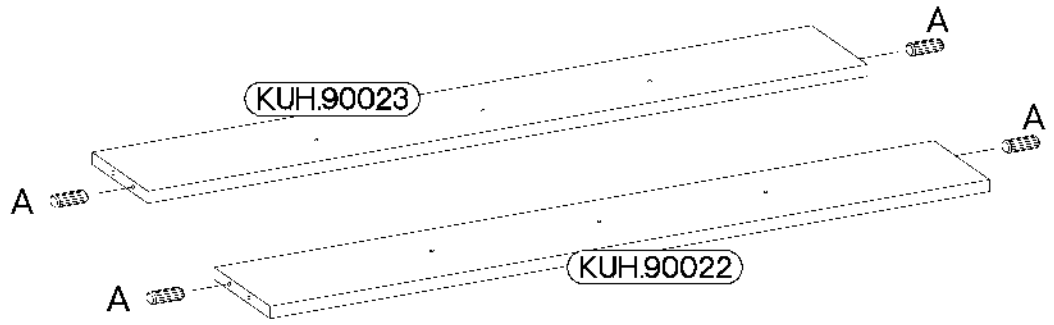
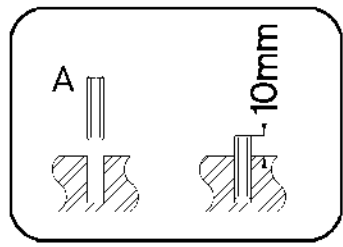
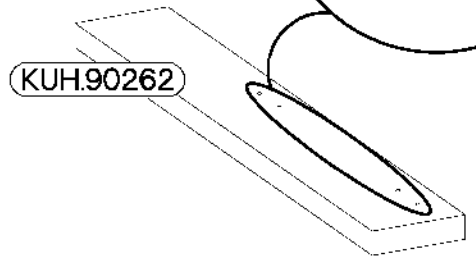
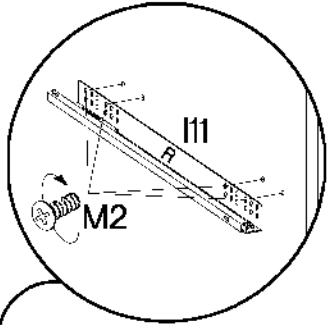
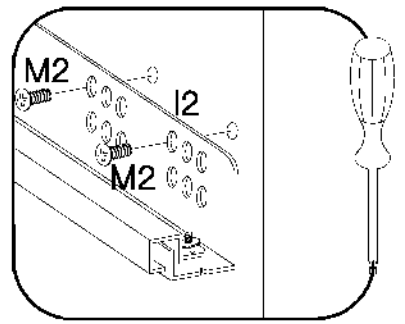
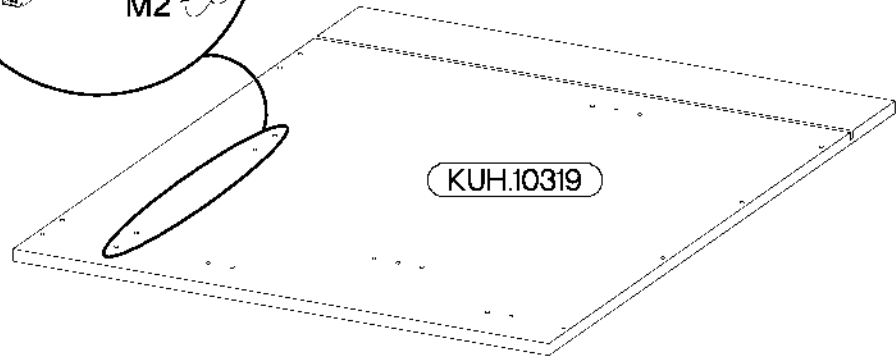
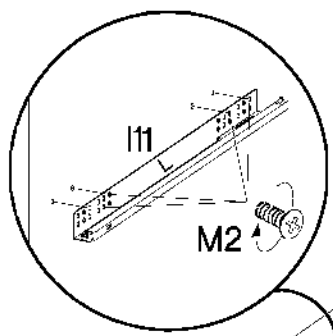
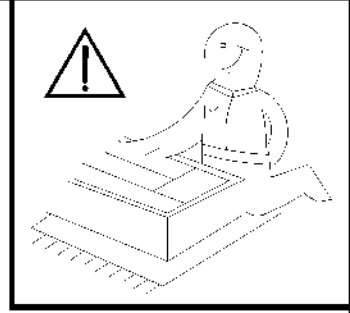
# 21

L=20mm  <b>D2</b> 2
------------------------------





$\varnothing 8 \times 30 \text{mm}$	$\varnothing 6.3 \times 13 \text{mm}$
	
A L=450mm	M2
4	8



φ3.5x13mm

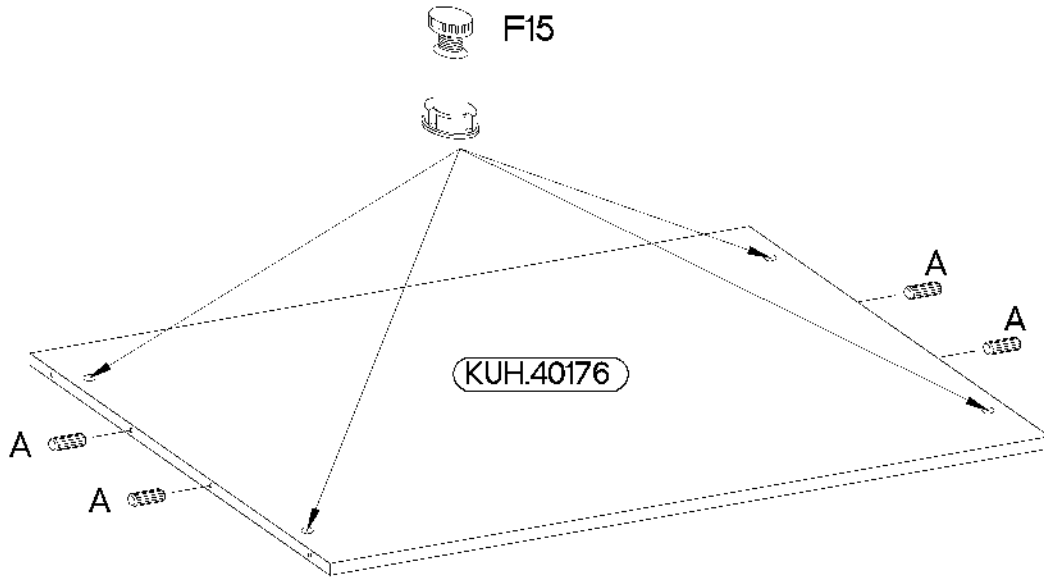
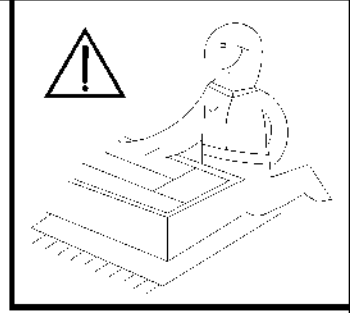


F15  
4

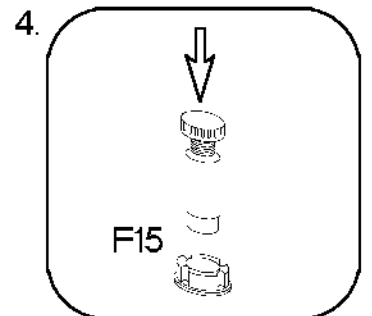
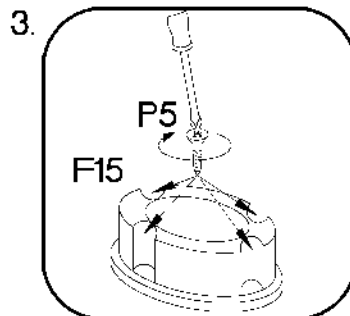
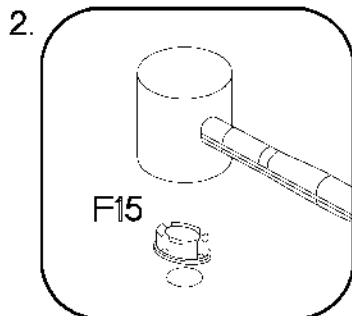
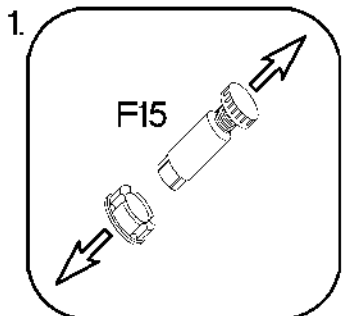
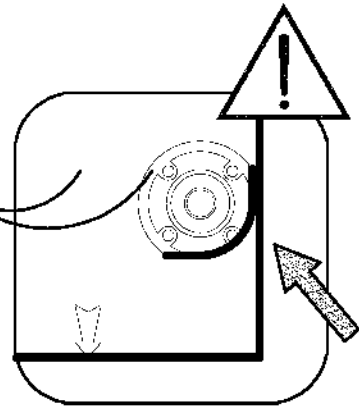
φ8x30mm



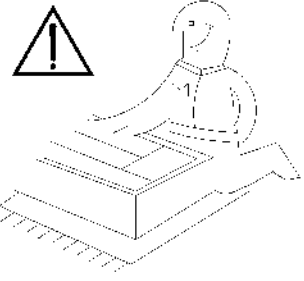
A  
4


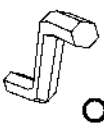



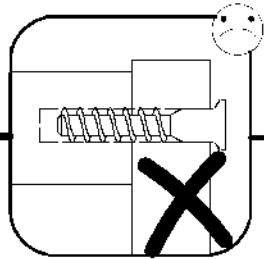
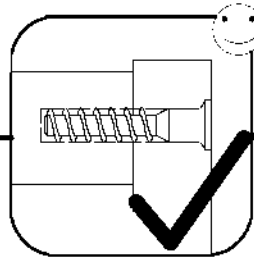
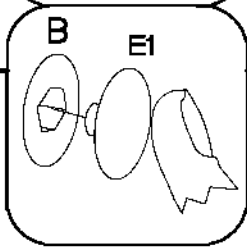
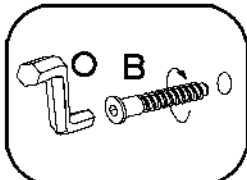
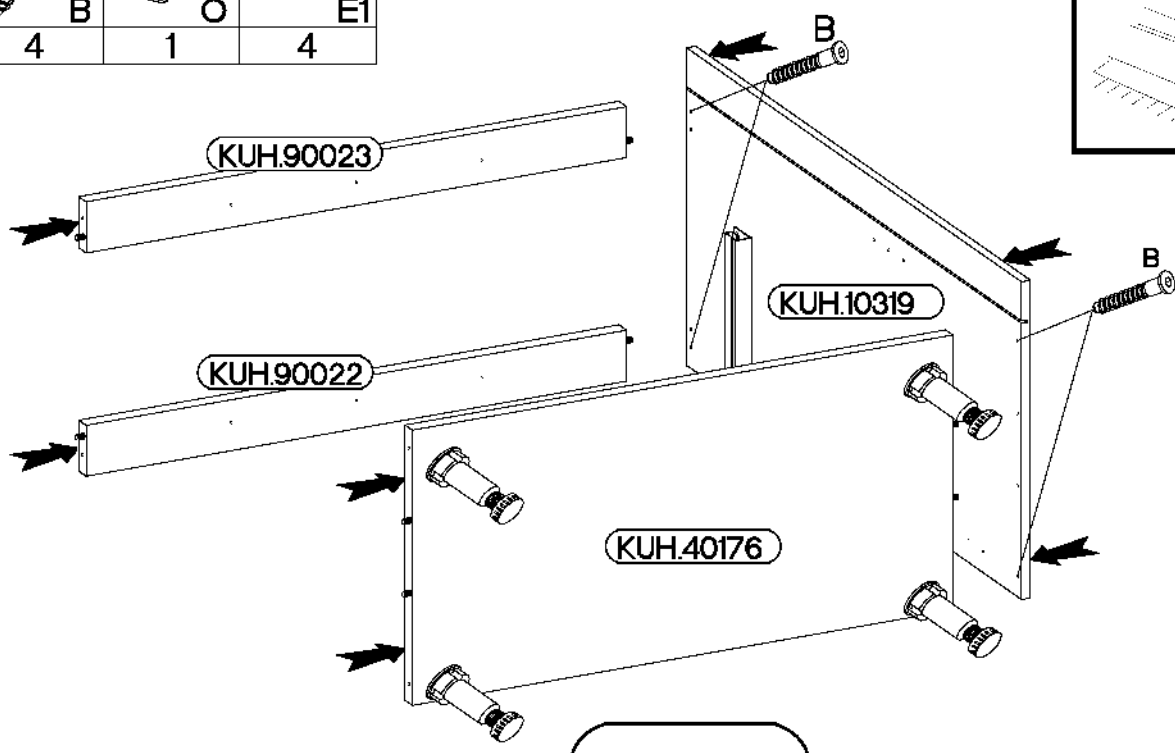
967




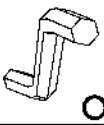

26

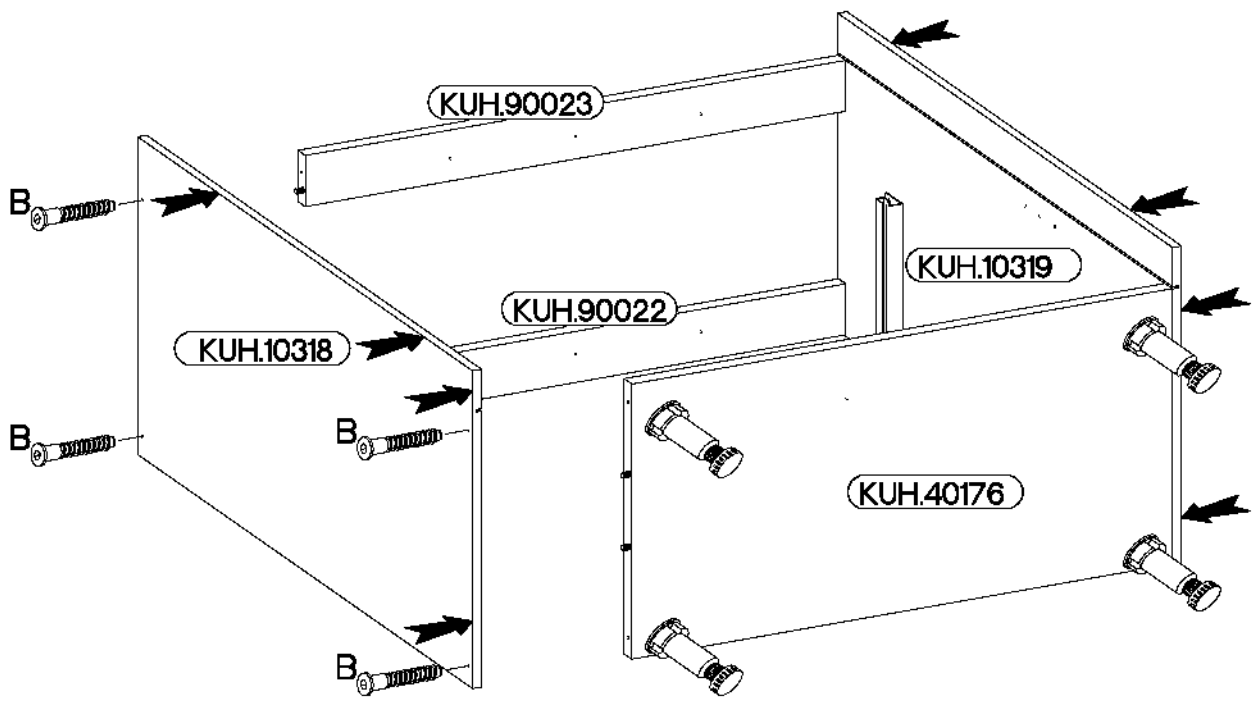


6,4 x 50mm		
		
B	O	E1
4	1	4



27

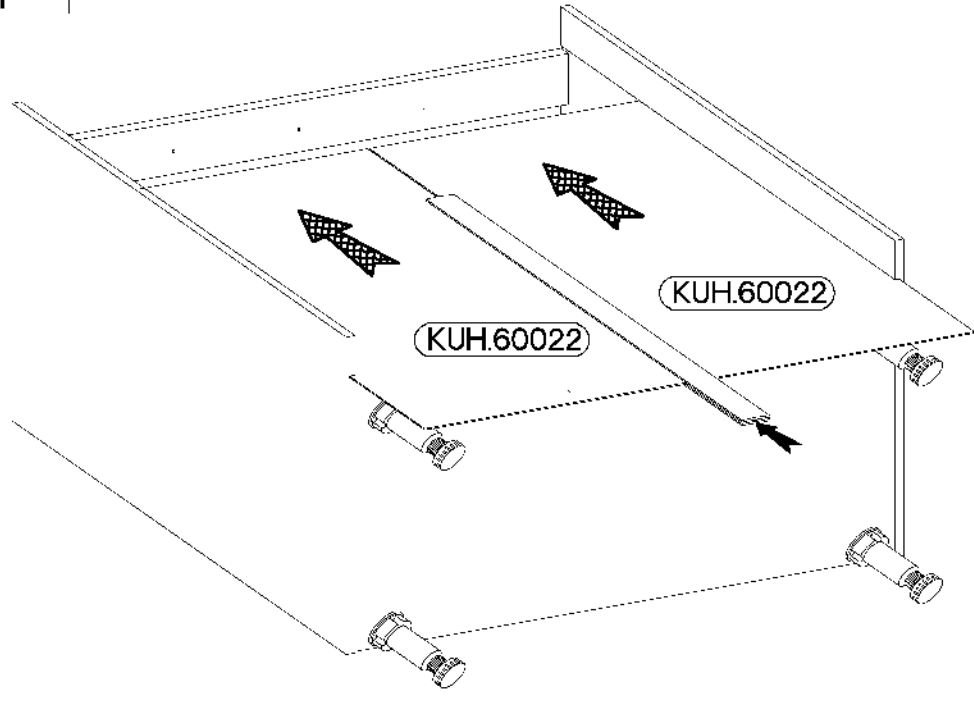
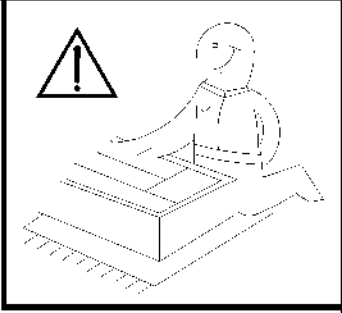
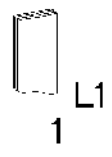
6,4 x 50mm		
		
B	O	E1
4	1	4





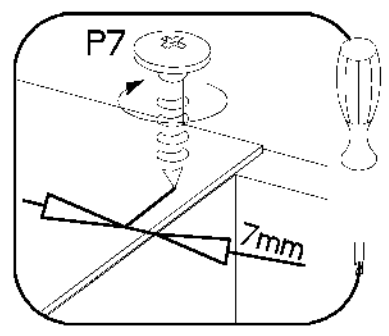
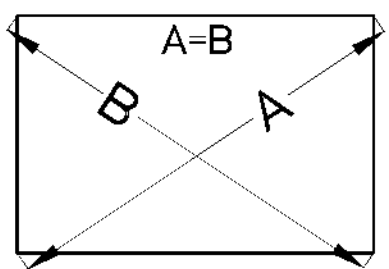
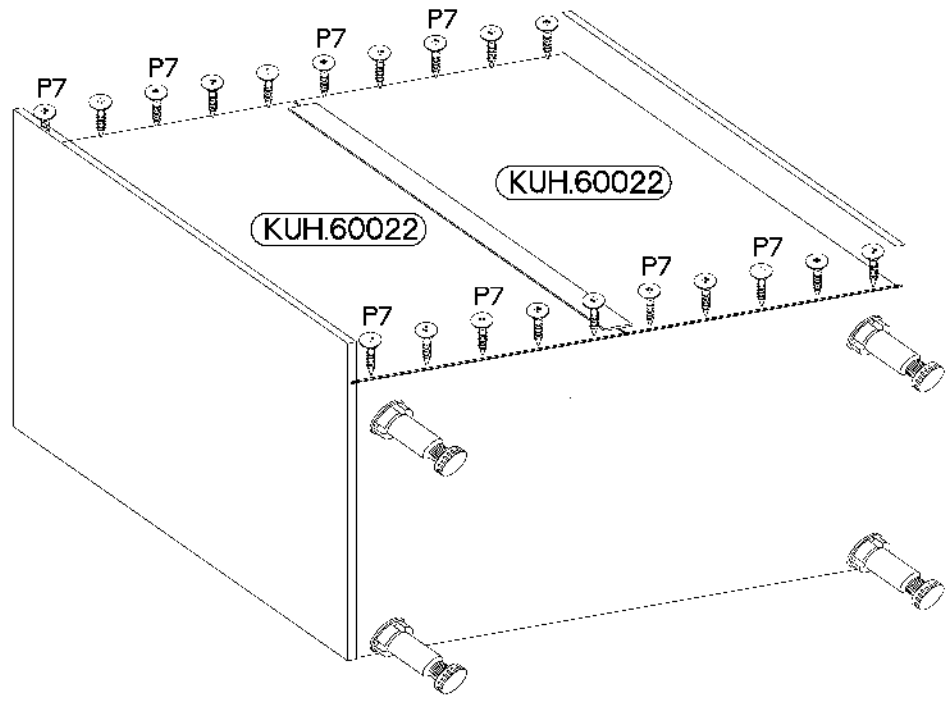
28

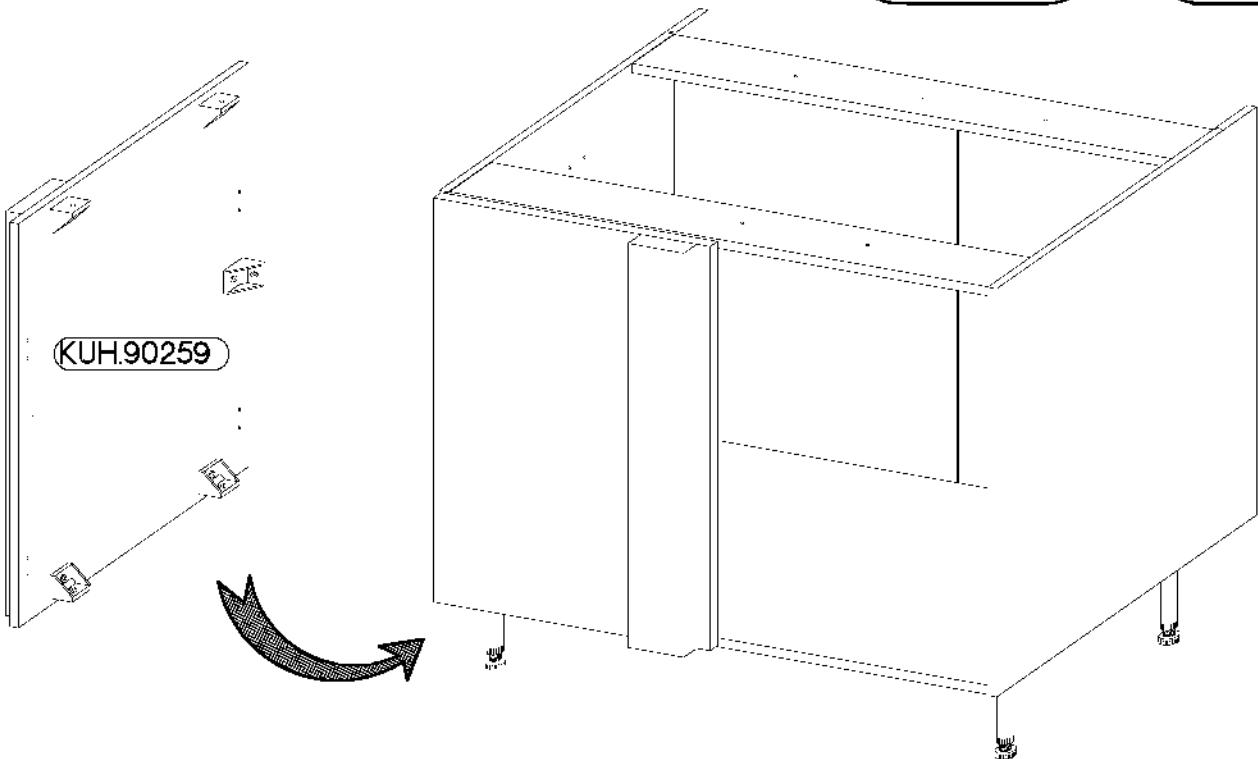
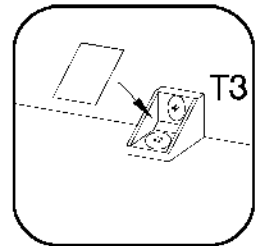
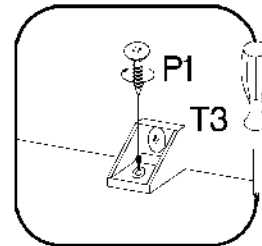
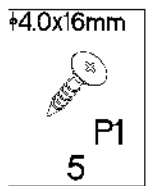
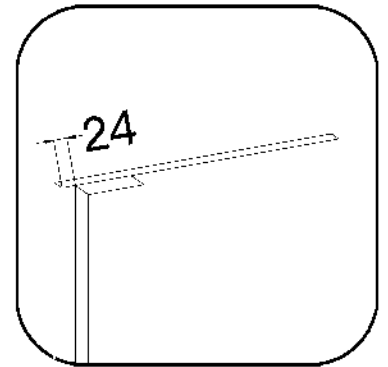
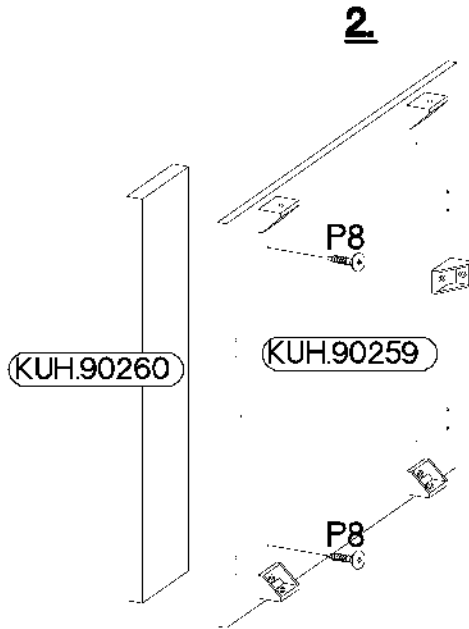
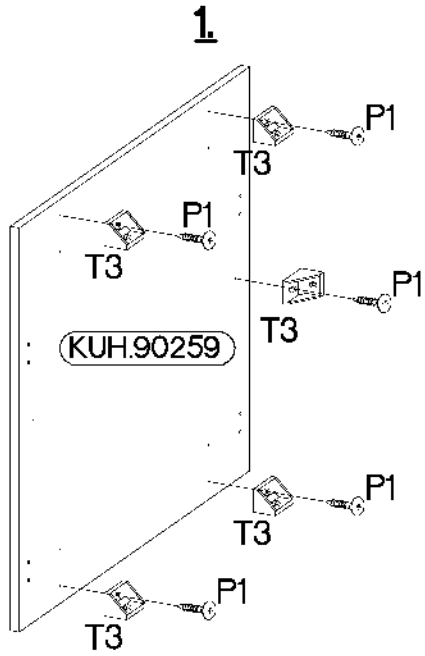
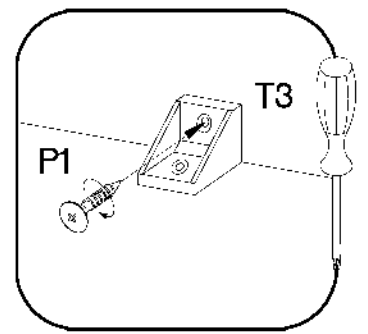
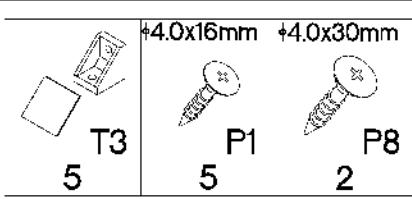
L=680mm



29

3.0x20mm





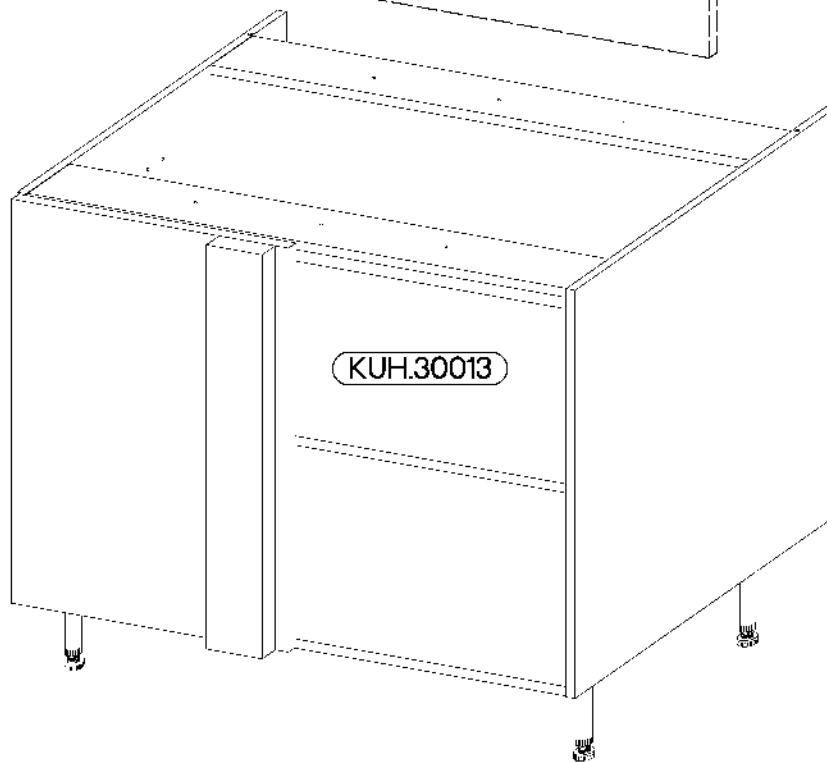
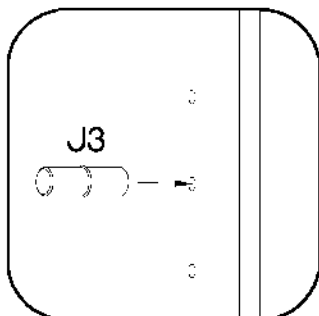
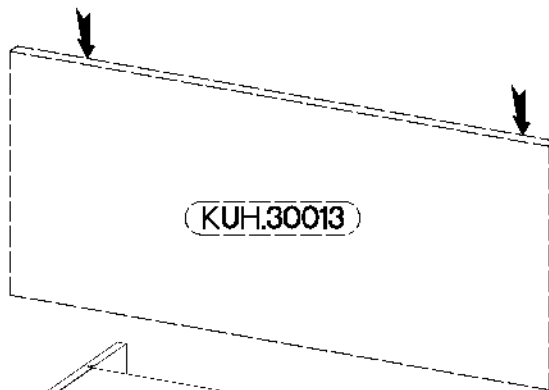
32

±5/16mm



J3

4



33

6,4 x 50mm



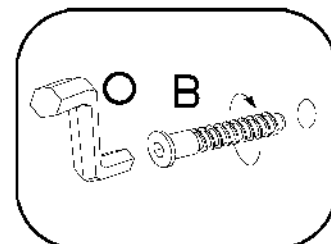
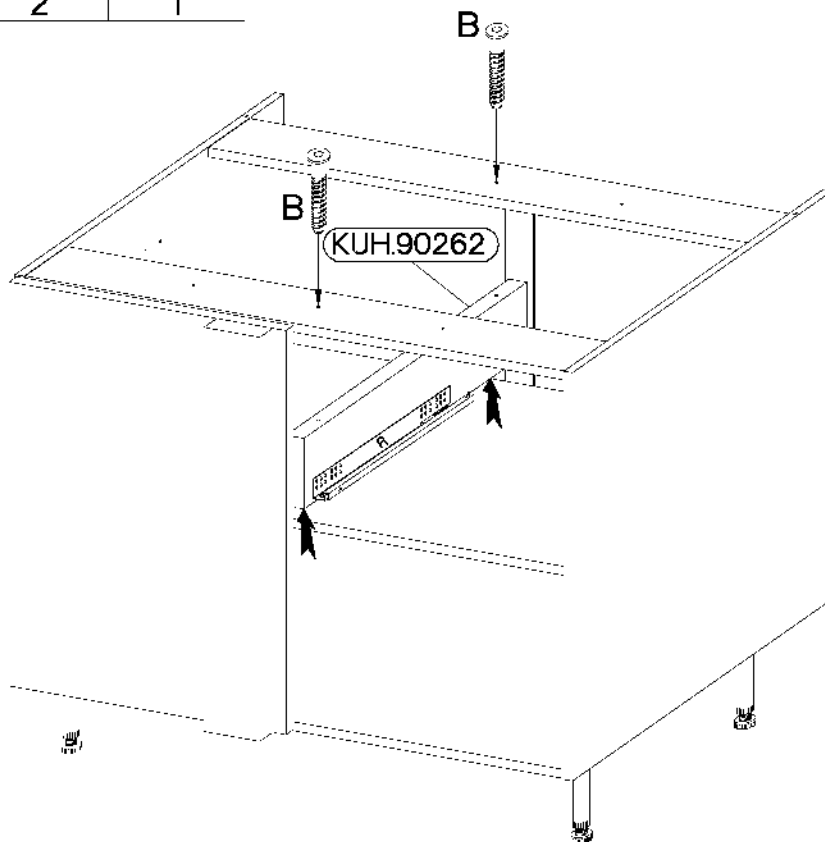
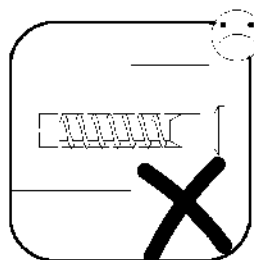
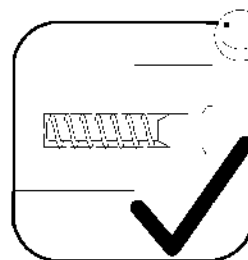
2

B



1

O



# 34

4.0x35mm

3.5x13mm



R3

4



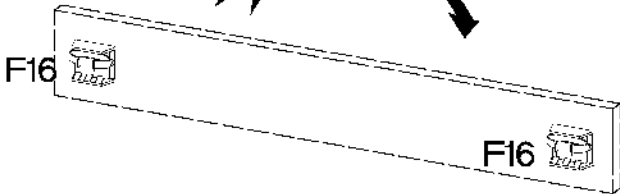
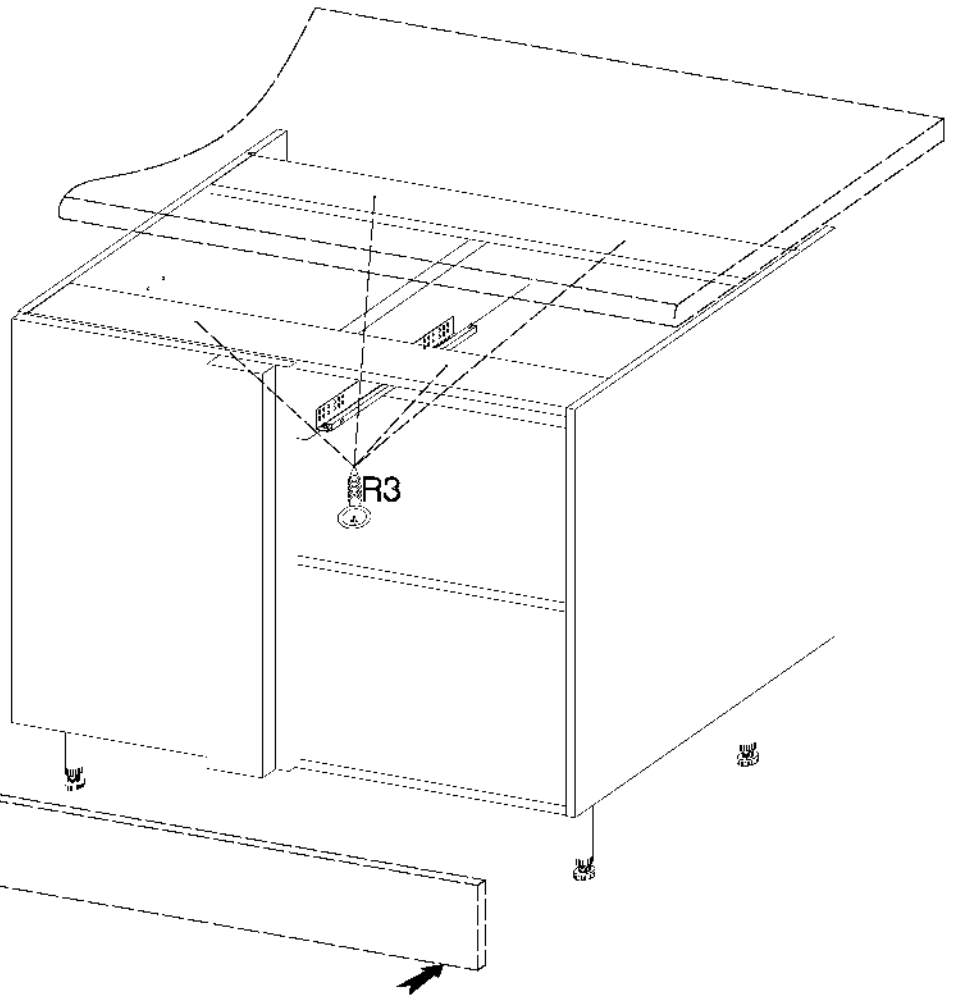
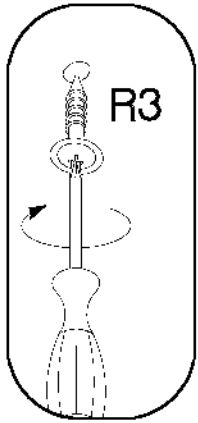
P5

4

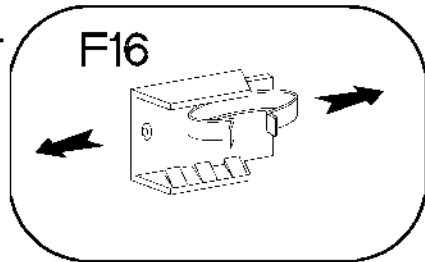


F16

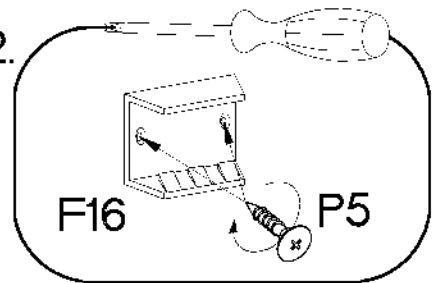
2



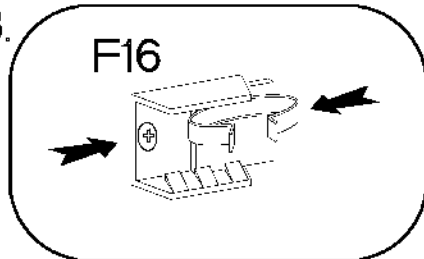
1.



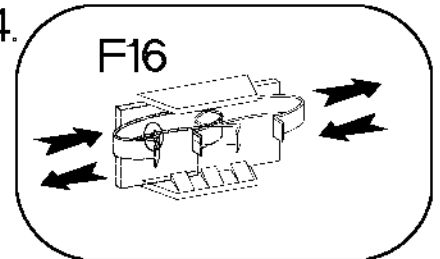
2.



3.



4.



# 35

35/90°

3.5x13mm



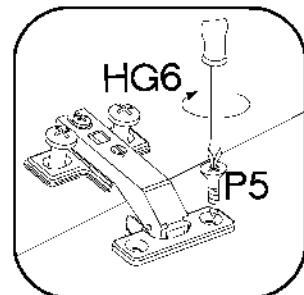
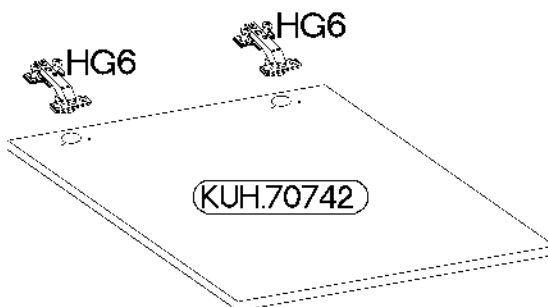
HG6



2

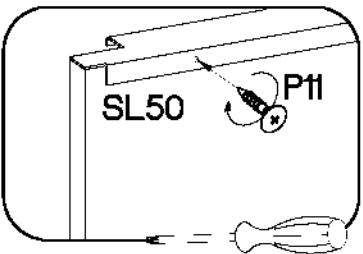
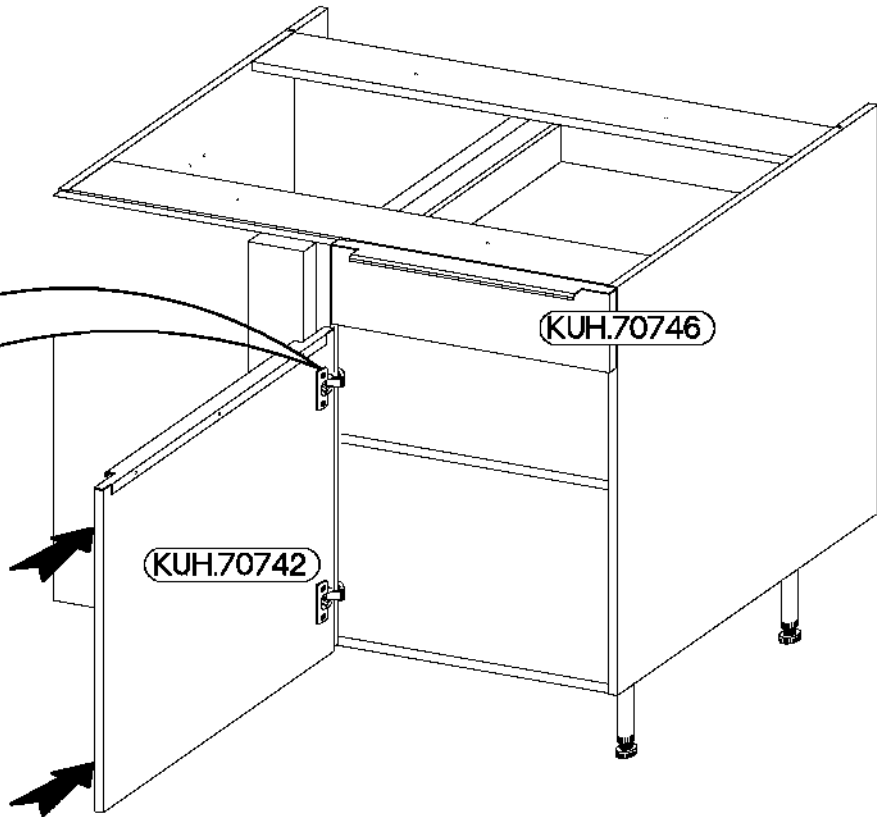
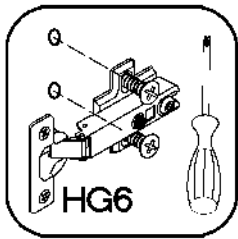


P5

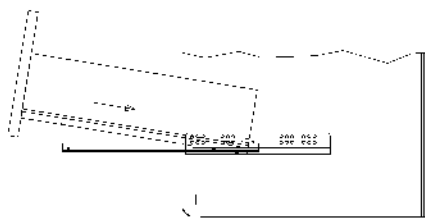
4



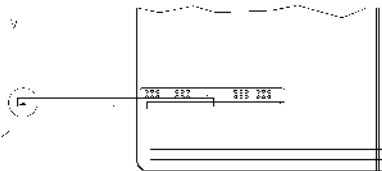
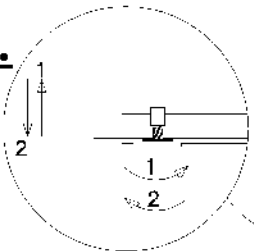
 P11 6	 SL50 2
--	---



**1.**

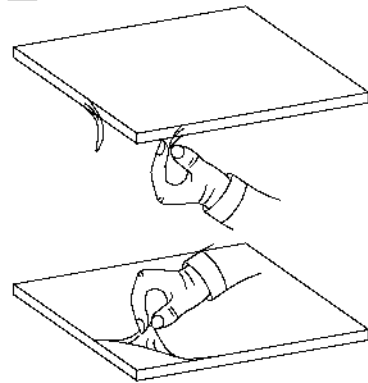


**2.**

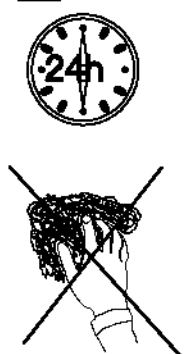


## VARIANT HIGH GLOSS

**1.**



**2.**



**3.**

