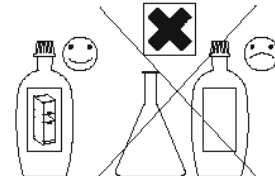
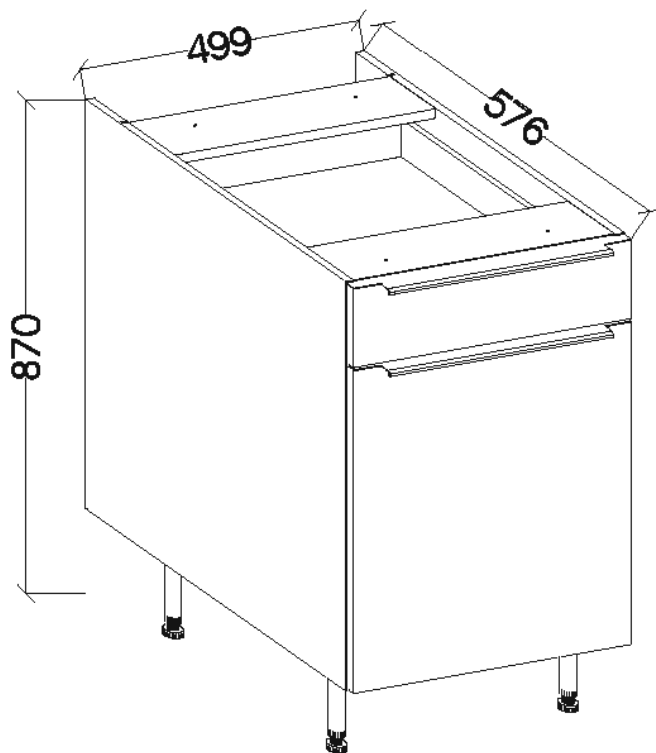







SAFADO / MARLEEN

84-170-...
84-176-...
84-17A-...











respekta®

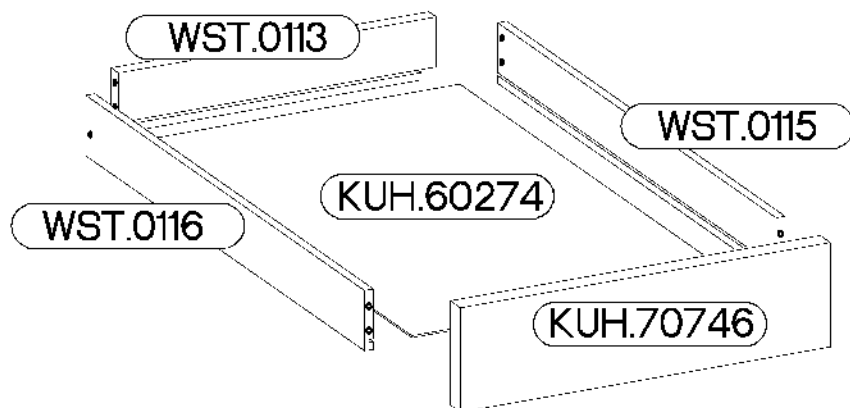
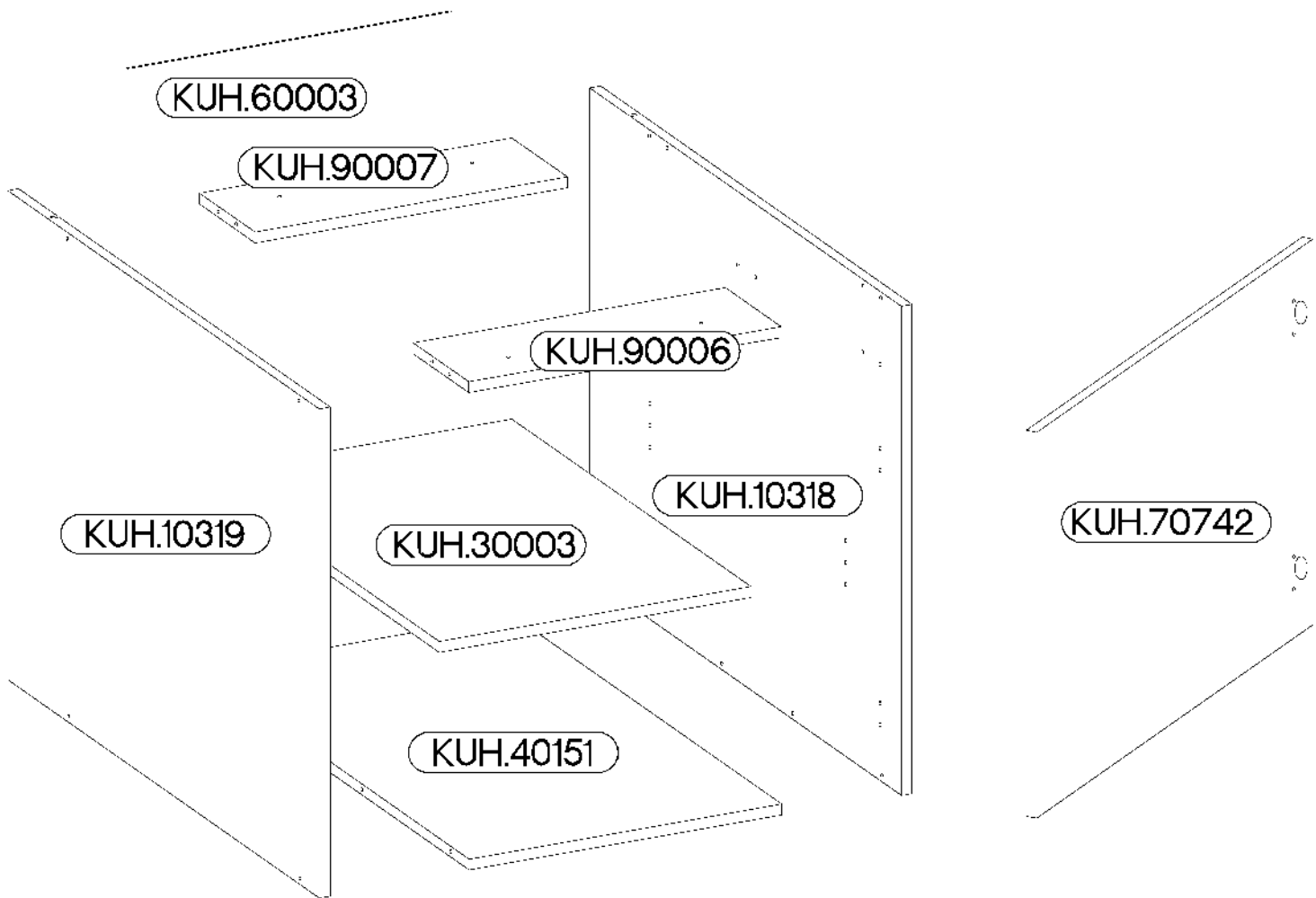


 A	 B	 B2	 C5	 D2
12	8	2	2	2

 E1	 F15	 F16	 HG L=450mm	 I1 L	 J3	 L
8	4	6	2	1	4	2

 M2	 O	 O1	 P5	 P7	 P11	 R3	 SL50
8	1	1	32	8-10	6	4	2

ISM-KUH-01600


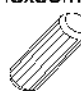



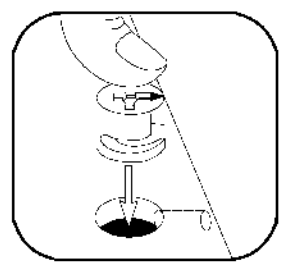
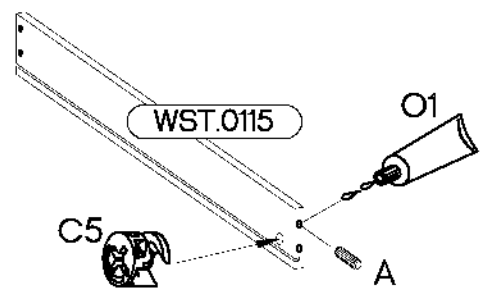
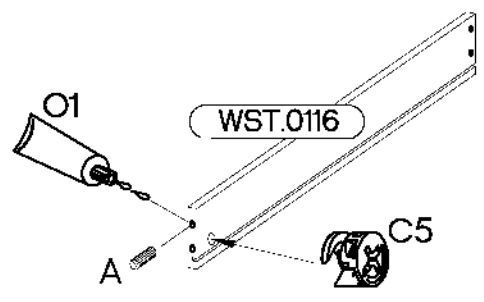
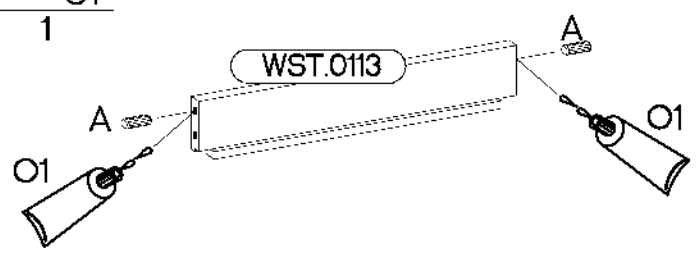
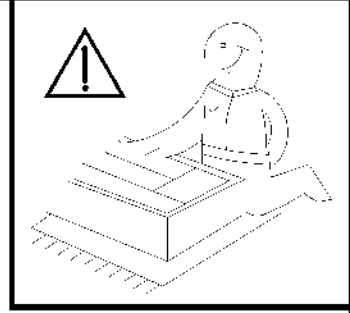
Colli	Spare Part	Dimension
Colli 1/6	KUH.10318	720x560x16
	KUH.10319	720x560x16
	KUH.30003	466x430x16
	KUH.40151	467x485x16
	KUH.60003	713x485x2,5
	KUH.60274	448x437x2,5
	KUH.70742	568x496x16
	KUH.70746	138x496x16
	KUH.90006	467x100x16
	KUH.90007	467x100x16
	WST.0113	427x80x12
	WST.0115	450x80x12
	WST.0116	450x80x12



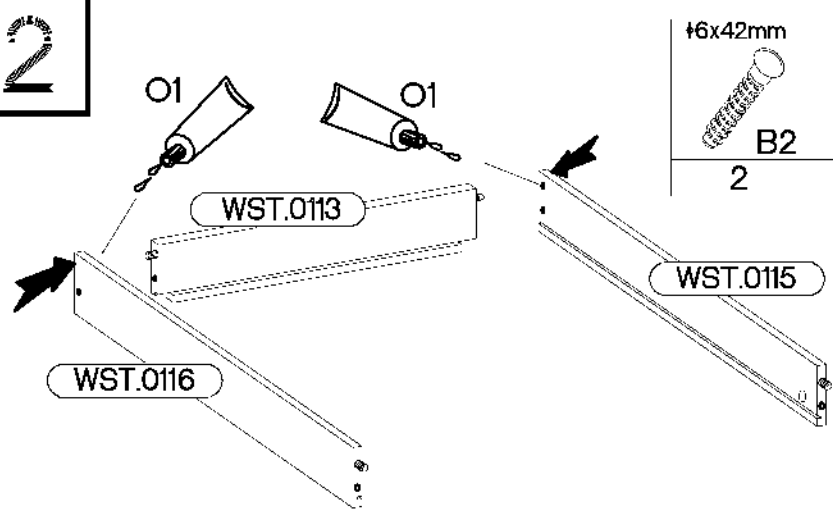
KUH.30003



KUH.40151

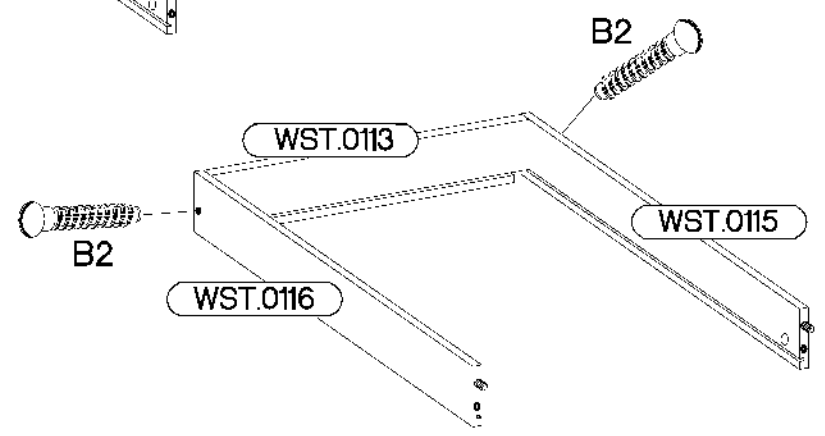
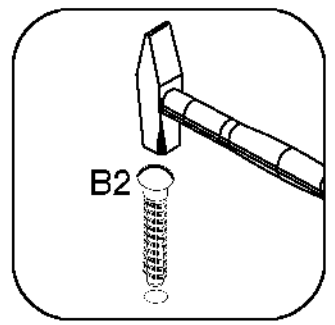
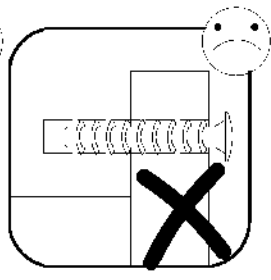
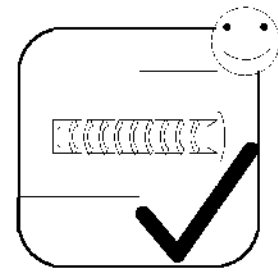
#12/10mm  C5 2	#8x30mm  A 4	 O1 1
---	---	---




2

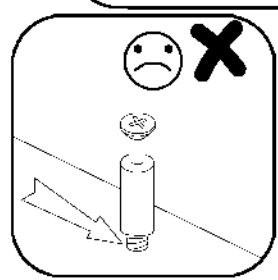
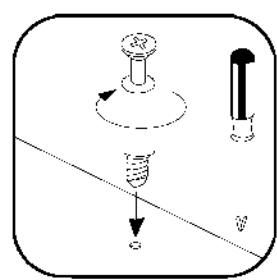
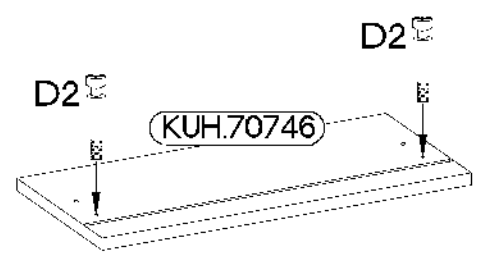


#6x42mm  B2 2	 O1 1
---	--

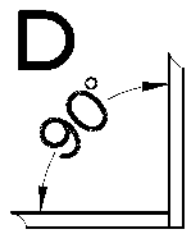
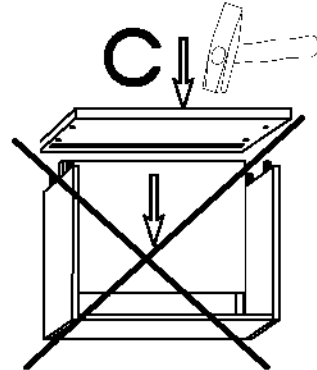
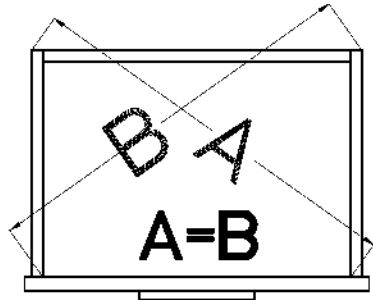
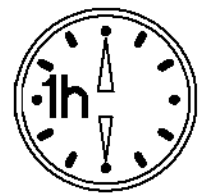
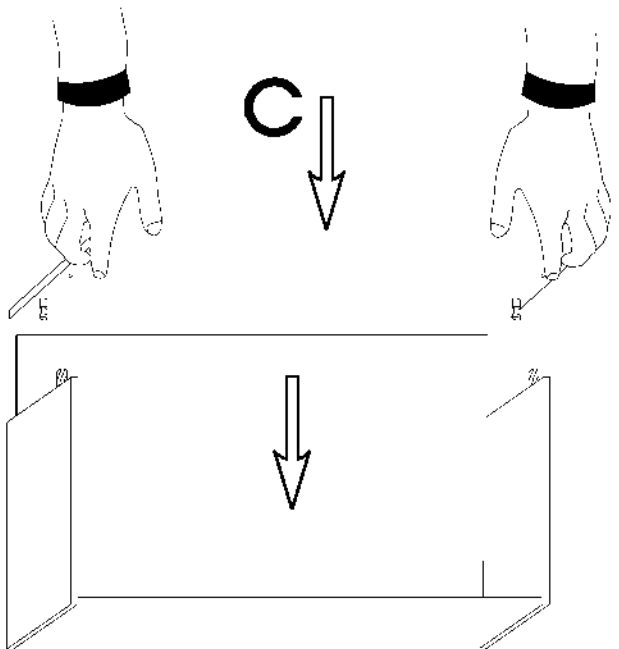
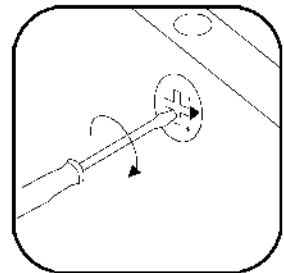
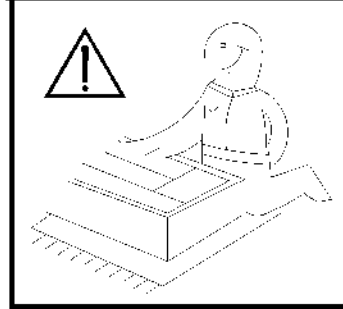
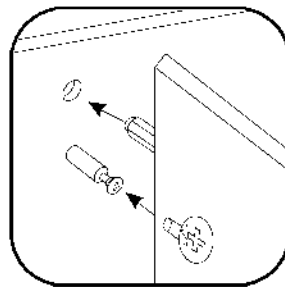
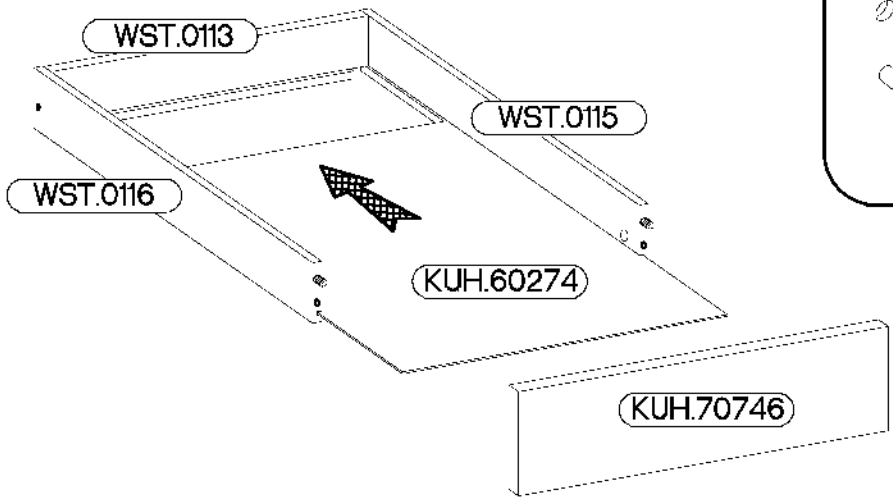


3

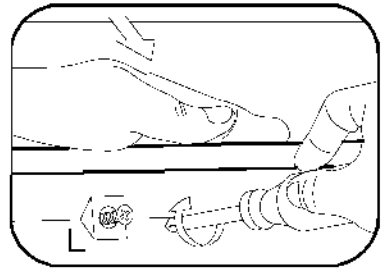
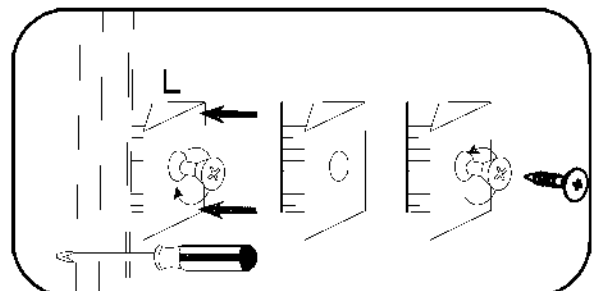
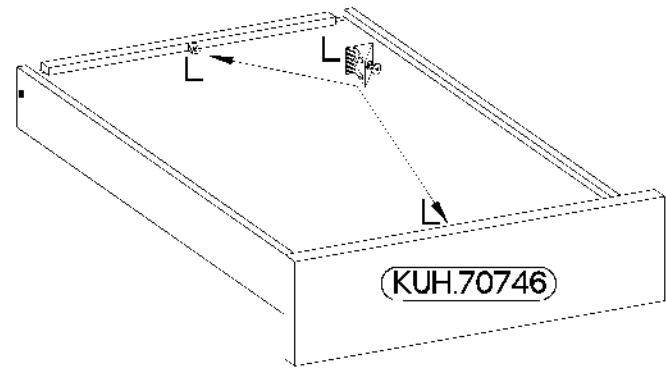
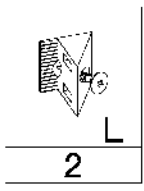
L=20mm  D2 2
--



4

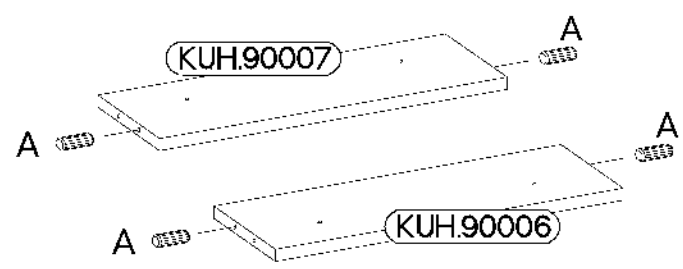
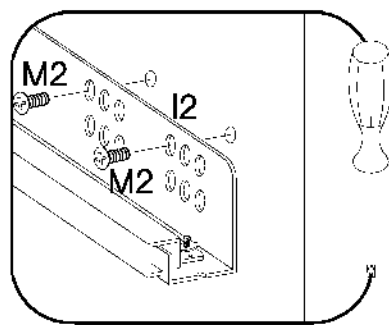
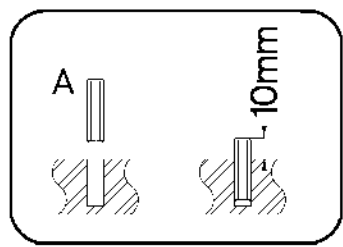
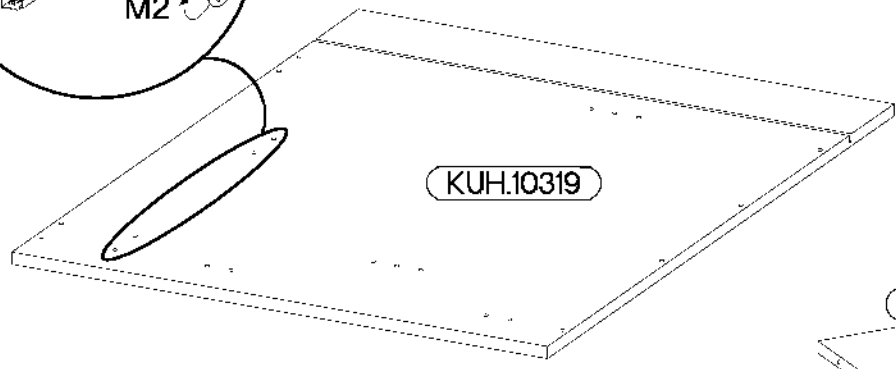
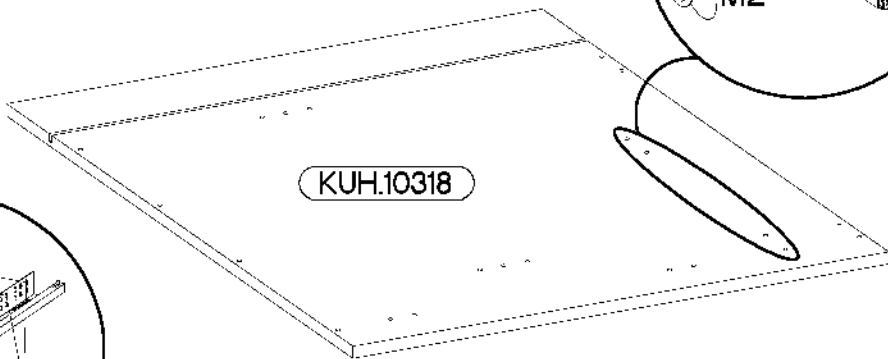
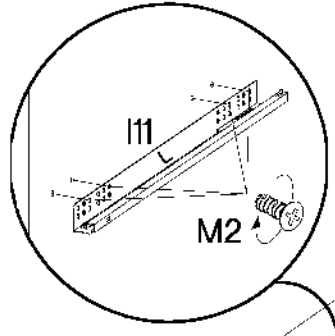
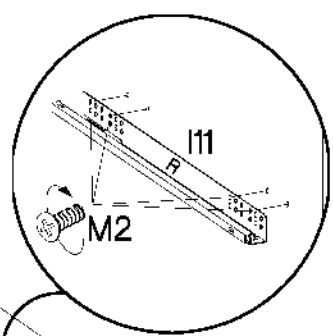
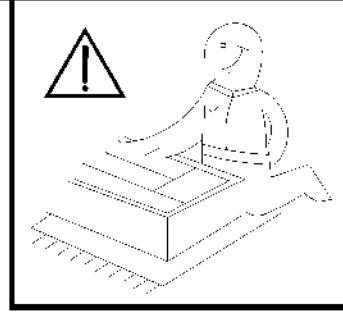


5



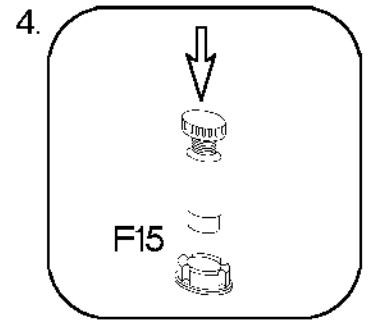
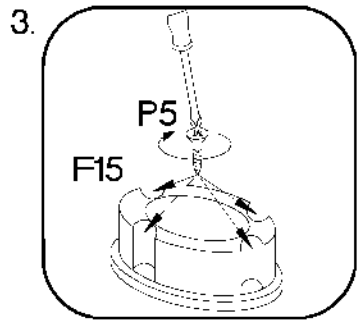
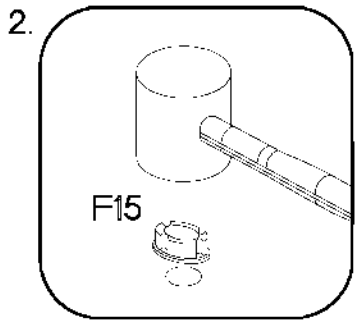
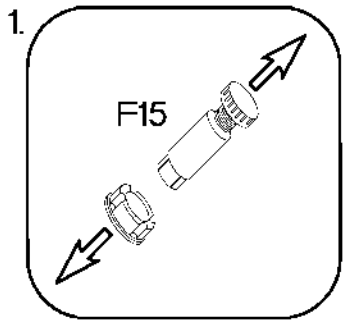
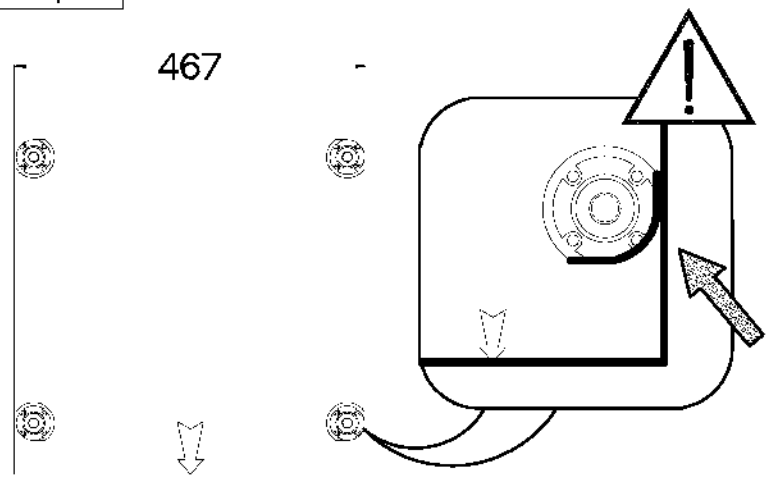
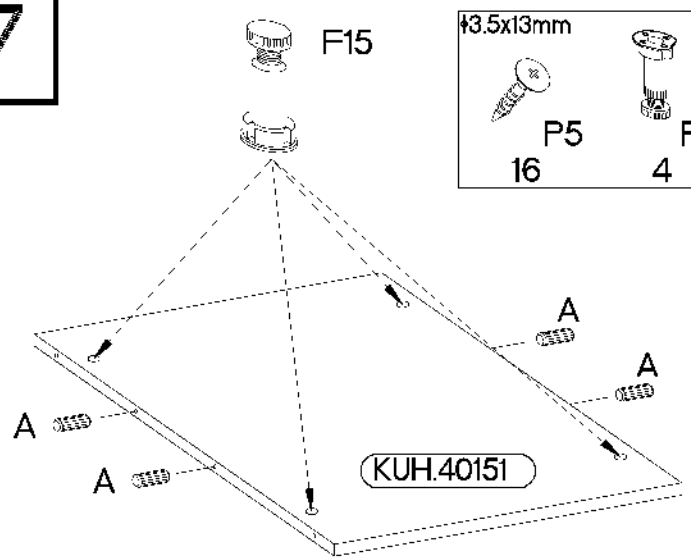
6

- 4 $\varnothing 8 \times 30 \text{mm}$
- 1 L=450mm (L, R)
- 8 $\varnothing 6.3 \times 13 \text{mm}$ M2



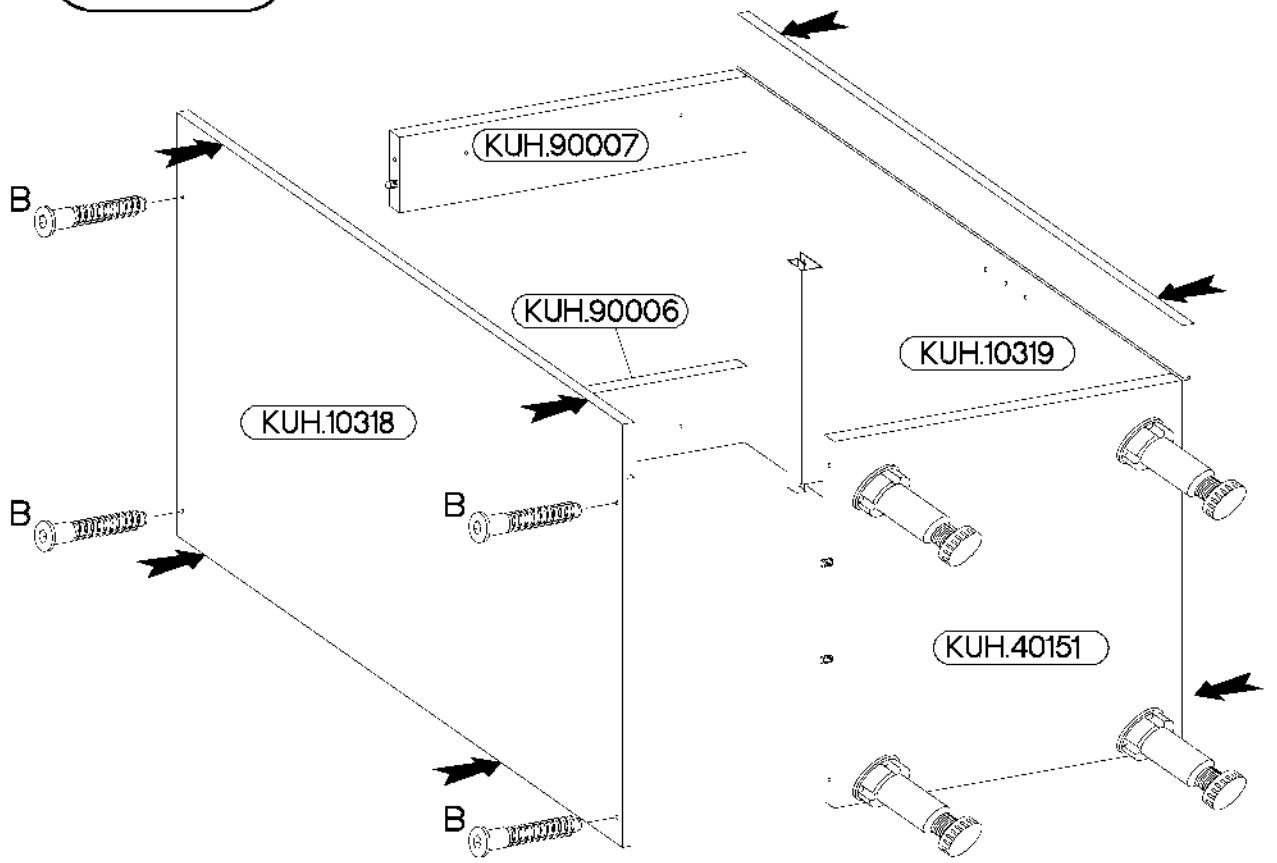
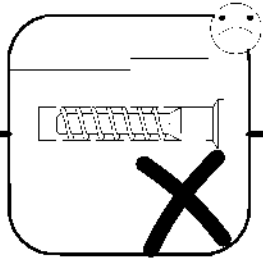
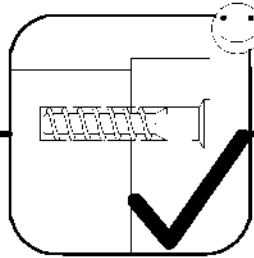
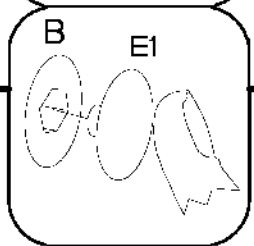
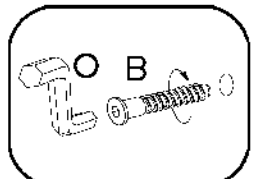
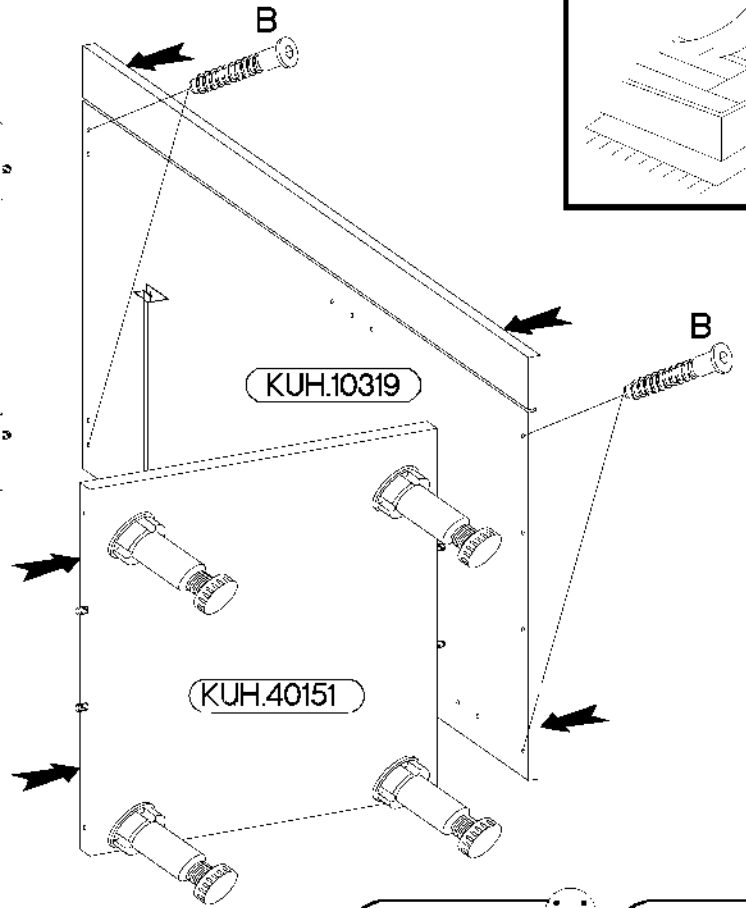
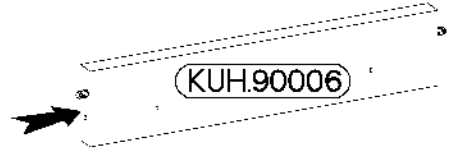
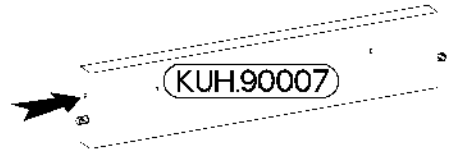
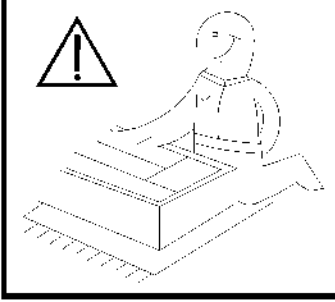
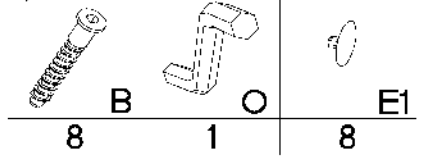
7

- 16 $\varnothing 3.5 \times 13 \text{mm}$ P5
- 4 F15
- 4 $\varnothing 8 \times 30 \text{mm}$ A





6,4 x 50mm

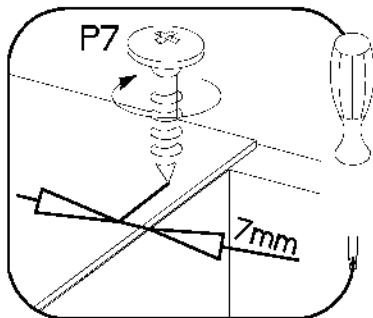
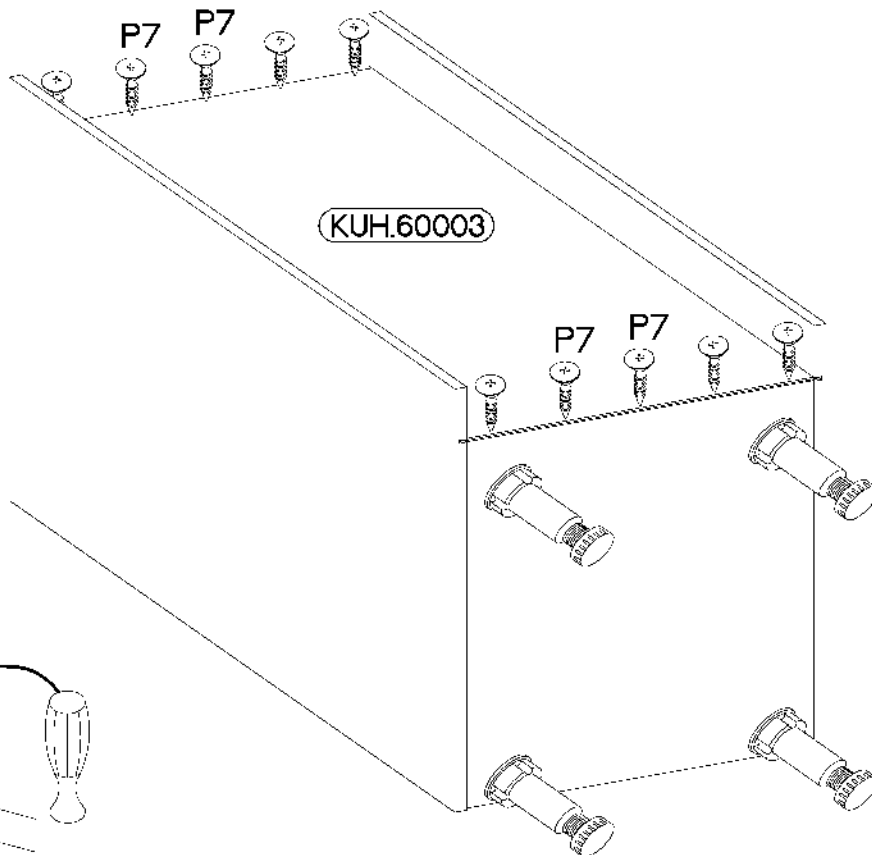
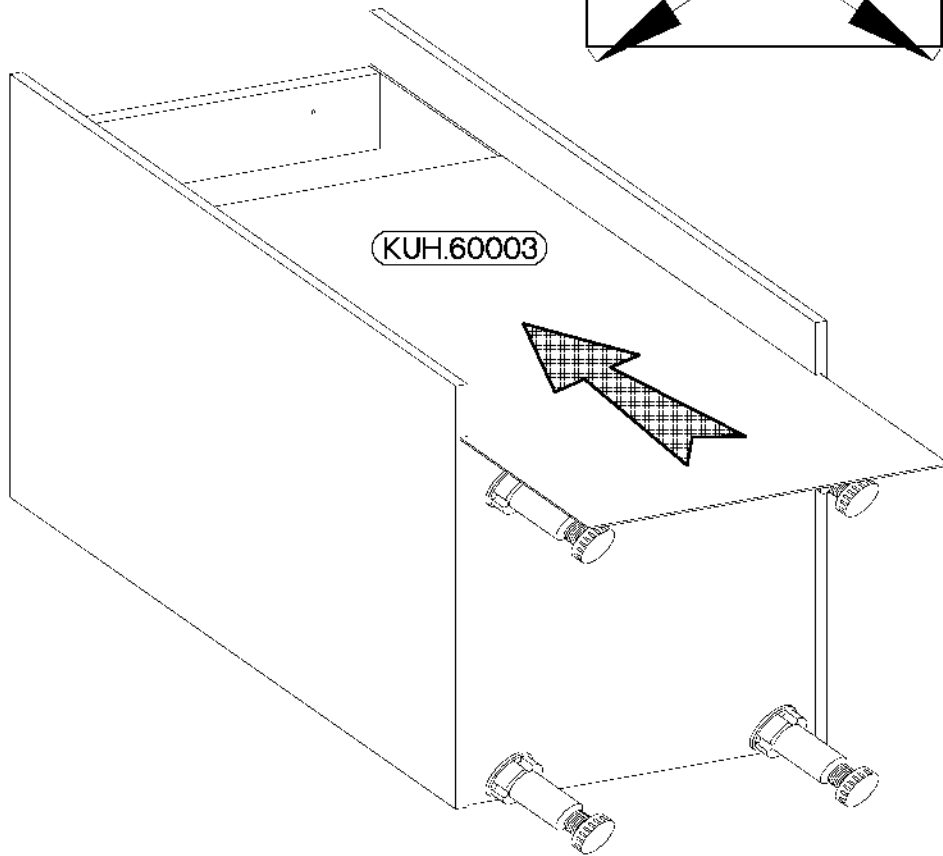
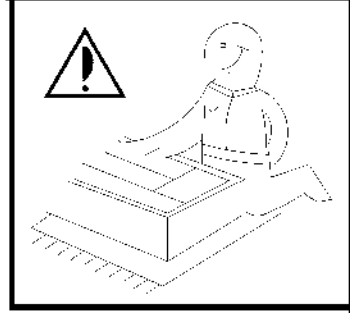
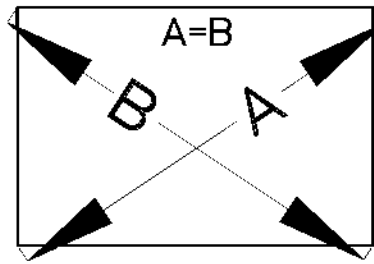


3.0x20mm



P7

8-10



1

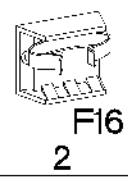
4.0x35mm 3.5x13mm



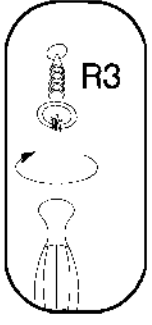
R3
4



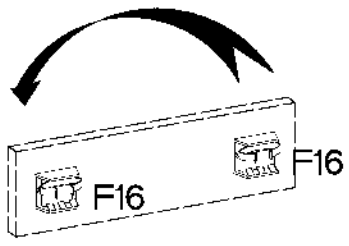
P5
4



F16
2

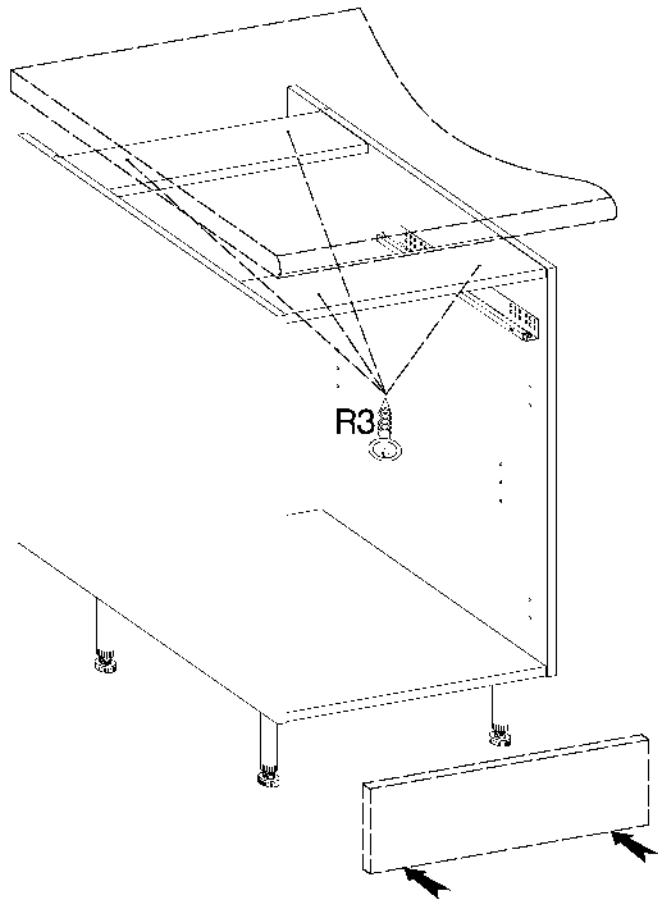


R3

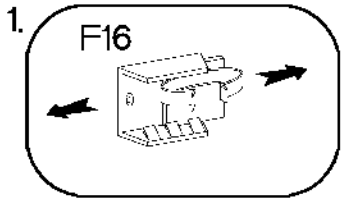


F16

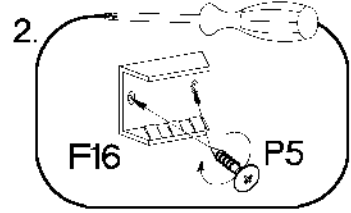
F16



R3

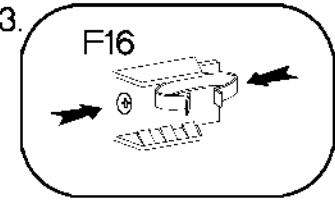


F16

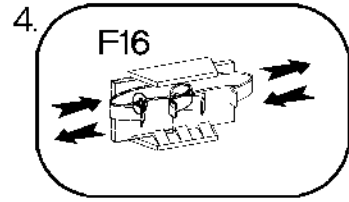


F16

P5



F16



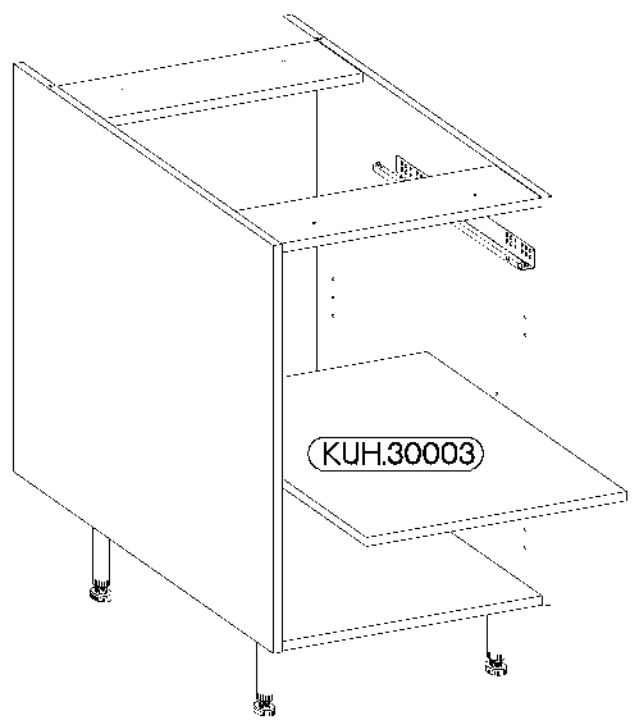
F16

2

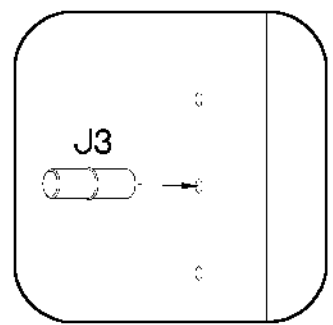
5/16mm



J3
4



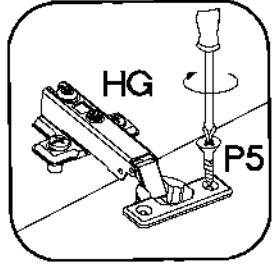
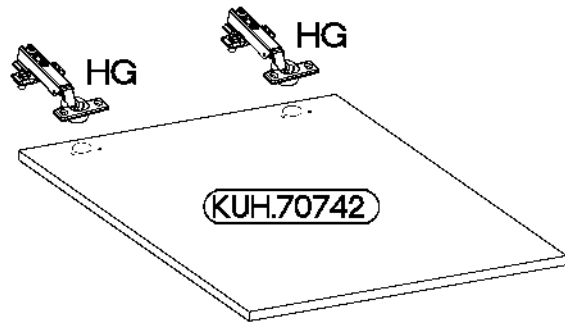
KUH.30003



J3

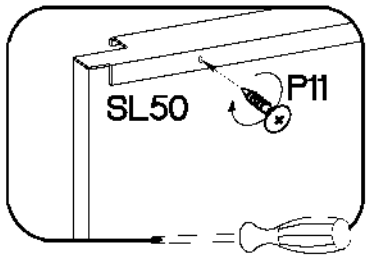
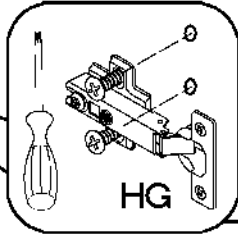
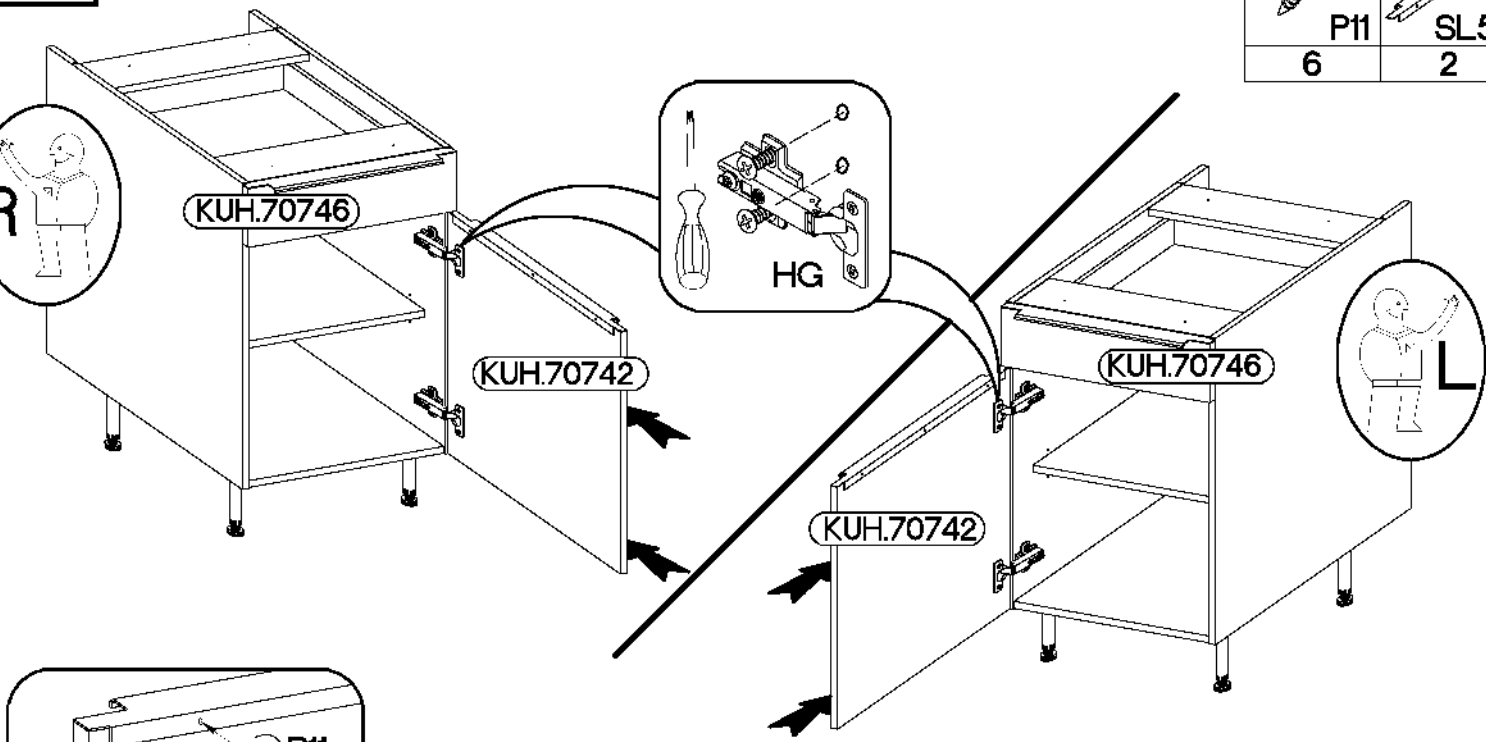
13

∅35/0mm HG 2	∅3.5x13mm P5 4
--------------------	----------------------

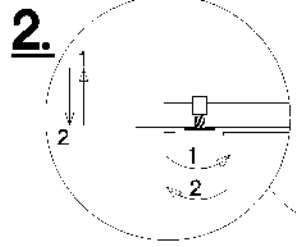
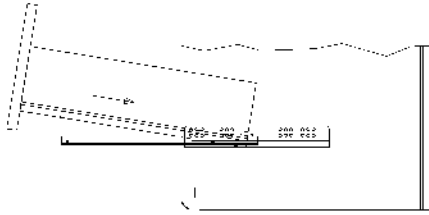


14

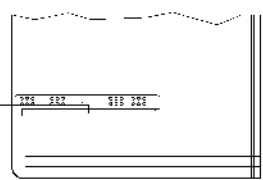
∅3.0x16mm P11 6	L=495mm SL50 2
-----------------------	----------------------



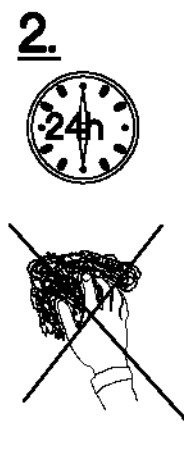
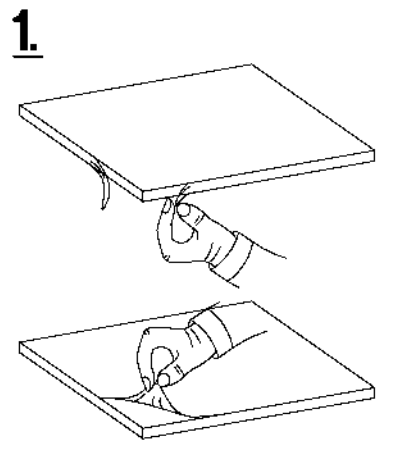
1.



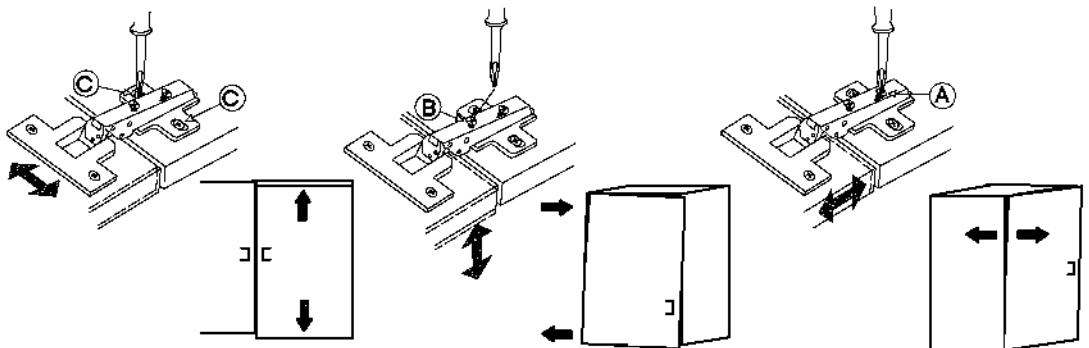
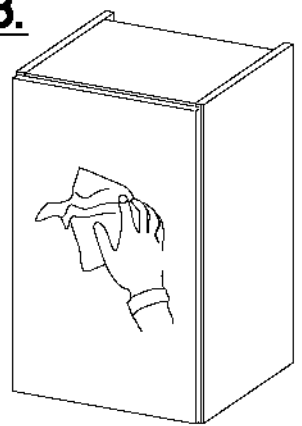
2.

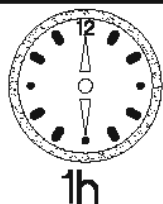
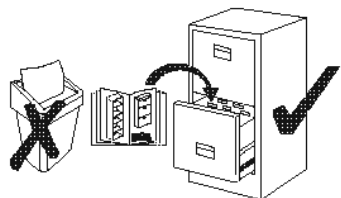
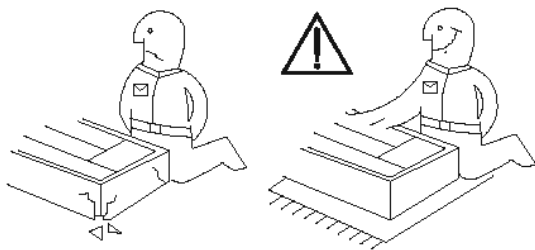
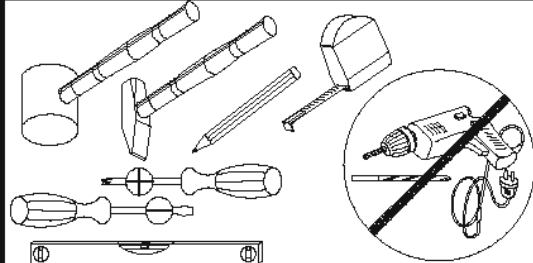
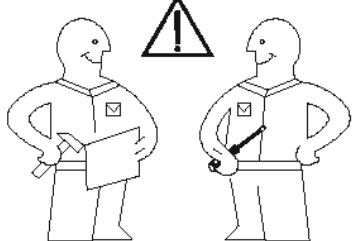


VARIANT HIGH GLOSS



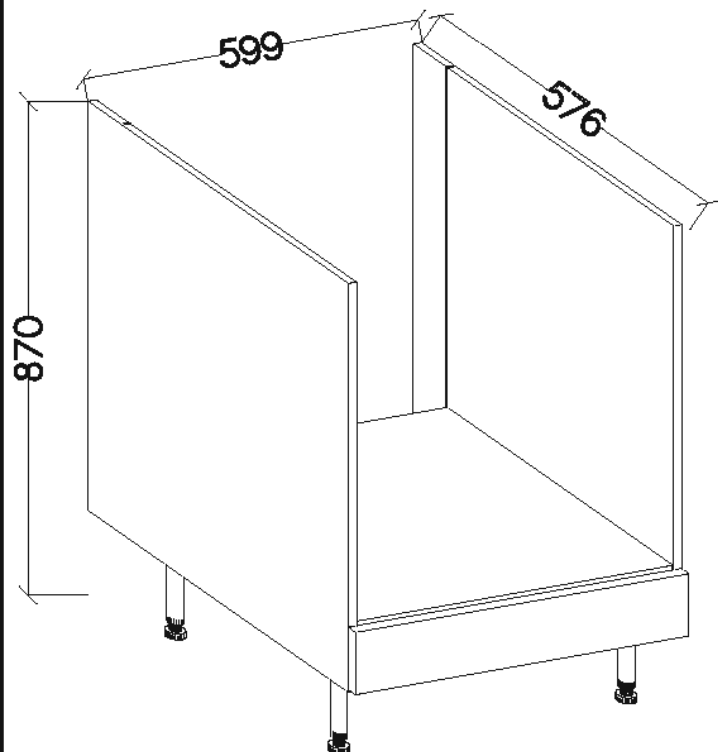
3.



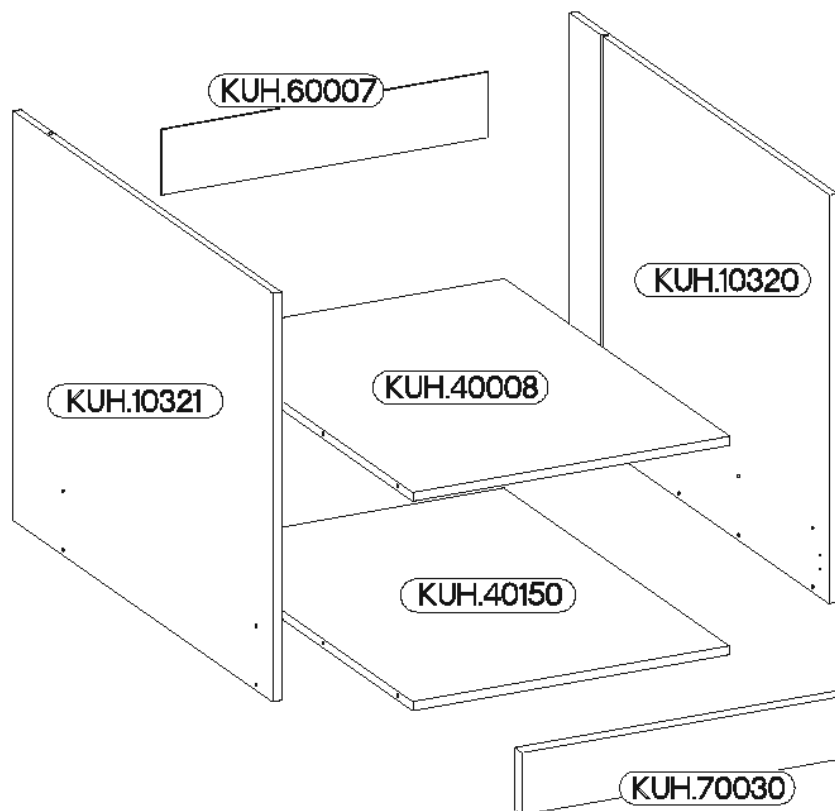


SAFADO / MARLEEN

84-170-...
84-17B-...



respekta®



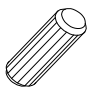
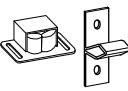

±8x30mm	6,4 x 50mm
A	B
8	8

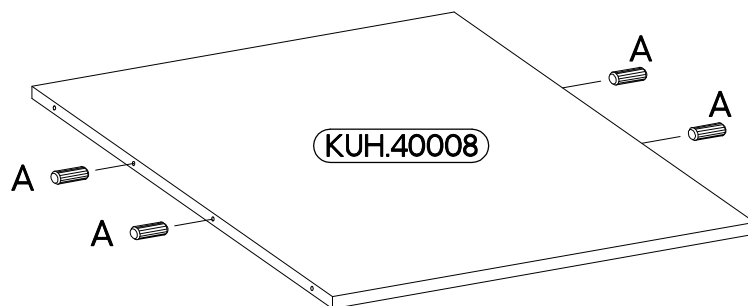
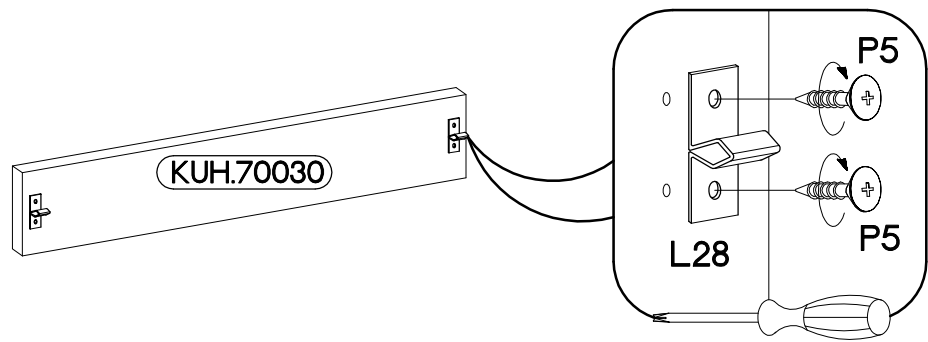
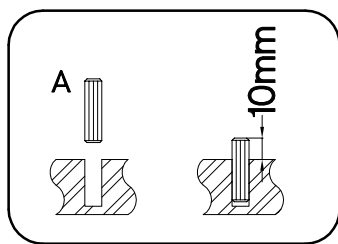
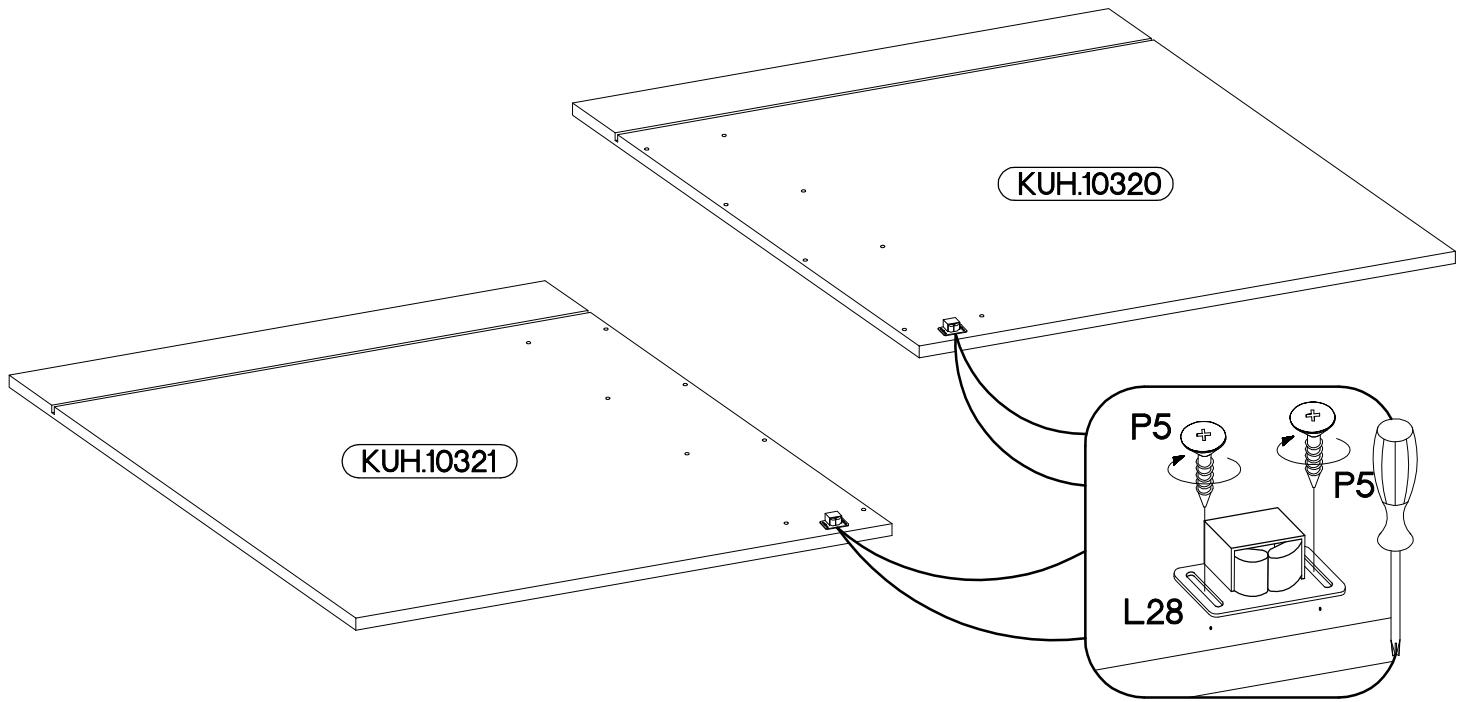
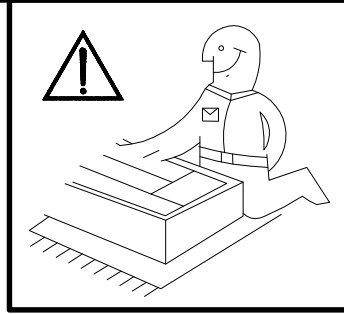
					±3.5x13mm	±3.0x20mm
E1	F15	F16	L28	O	P5	P7
8	4	2	2	1	28	8-10

Colli	Spare Part	Dimension
Colli 2/6	KUH.10320	720x560x16
	KUH.10321	720x560x16
	KUH.40008	567x485x16
	KUH.40150	567x485x16
	KUH.60007	585x115x2,5
	KUH.70030	596x110x16

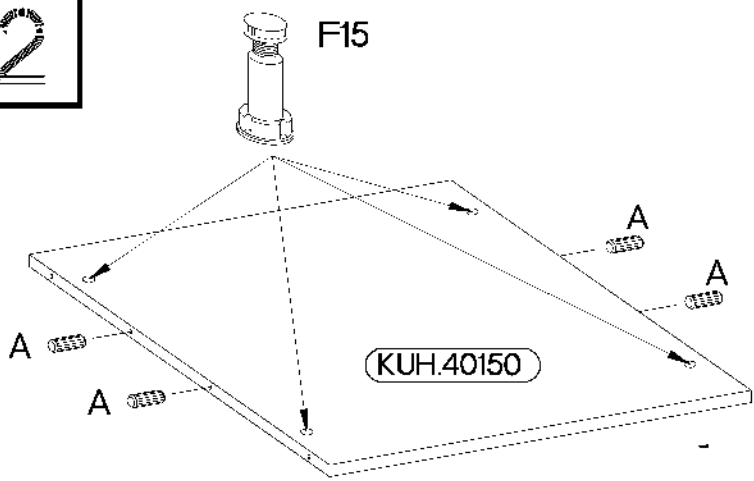
ISM-KUH-01601

1

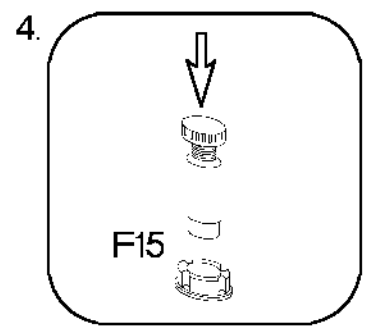
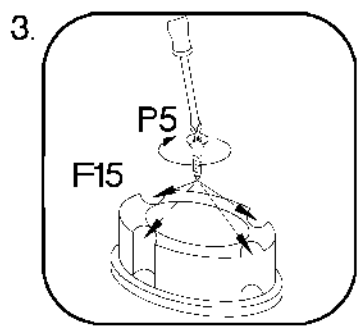
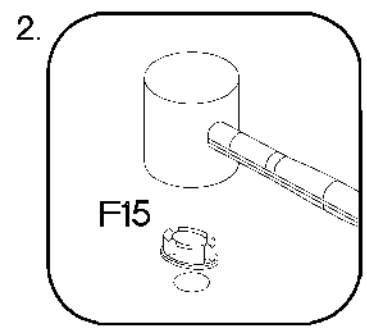
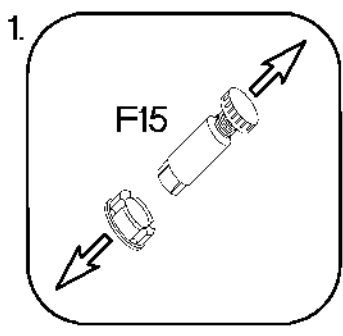
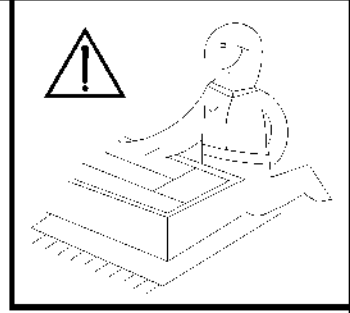
$\varnothing 8 \times 30 \text{mm}$  A	 L28	$\varnothing 3.5 \times 13 \text{mm}$  P5
4	2	8



2

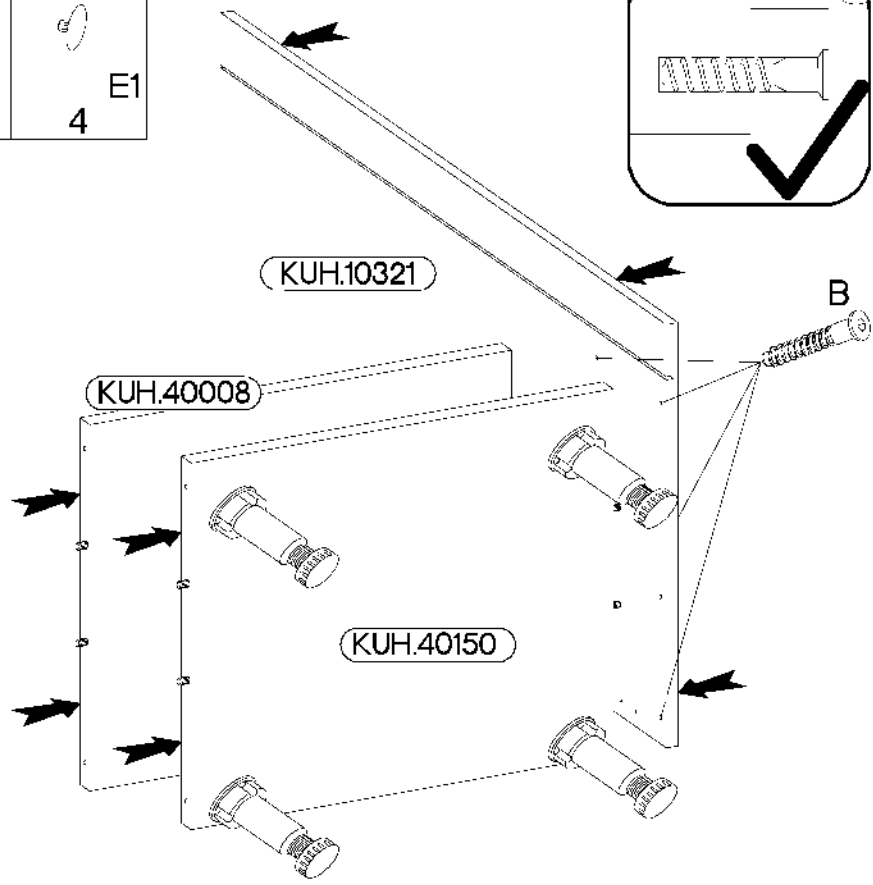
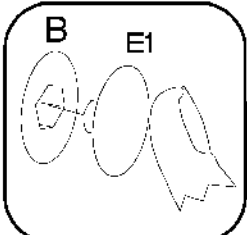
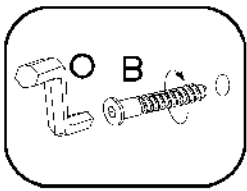
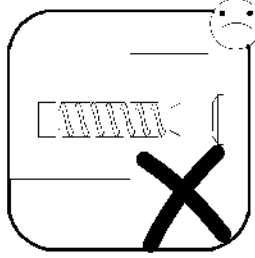
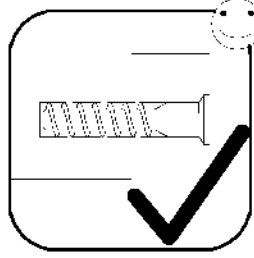


F15	P5	A
4	16	4



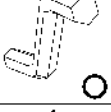
3

B	O	E1
4	1	4



4

6,4 x 50mm



B

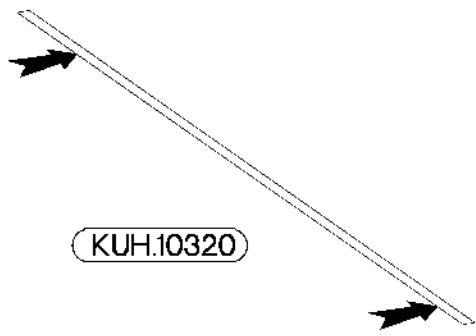
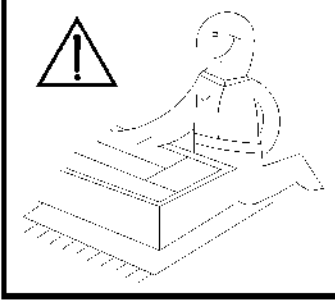
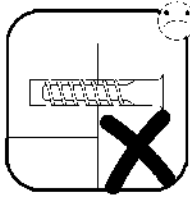
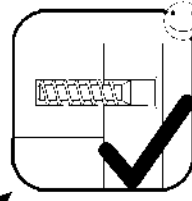
O

E1

4

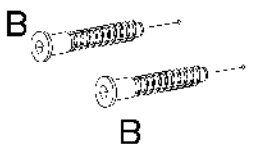
1

4

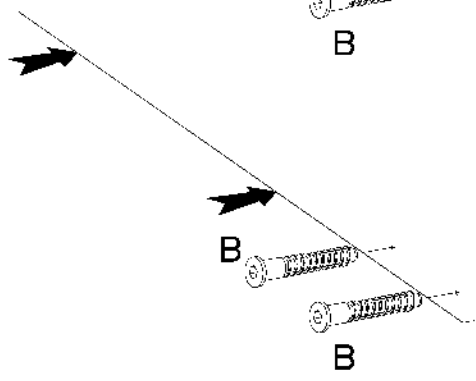


KUH.10320

KUH.10321



B

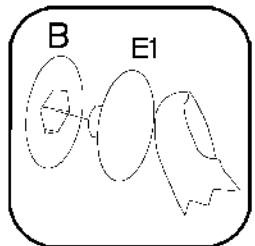
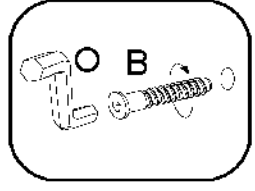


B

B

KUH.40008

KUH.40150



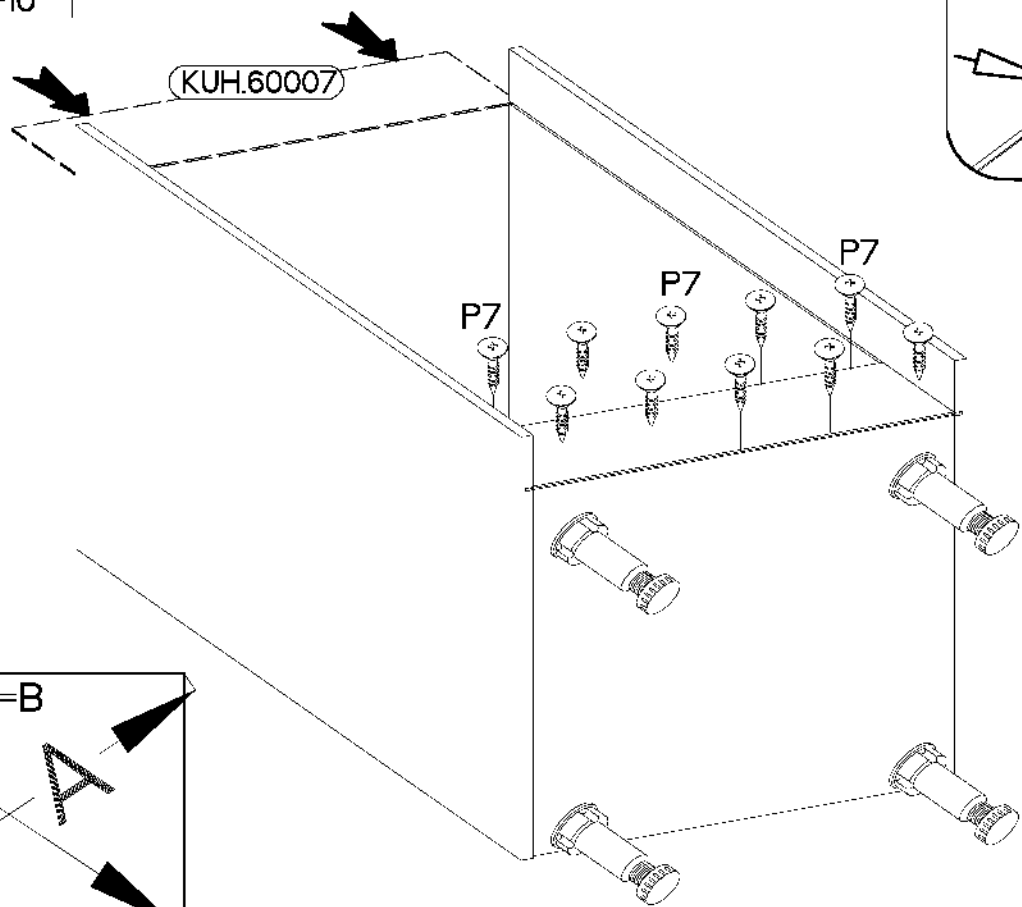
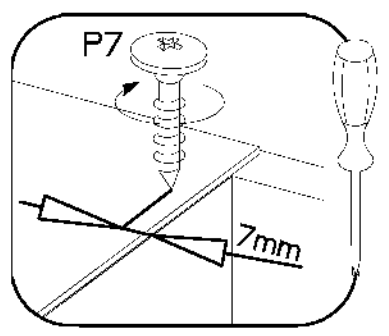
5

+3.0x20mm



P7

8-10

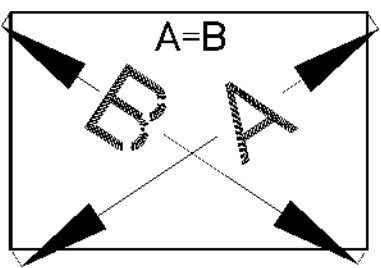


KUH.60007

P7

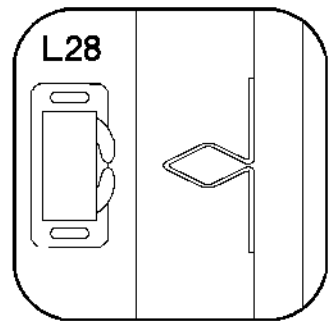
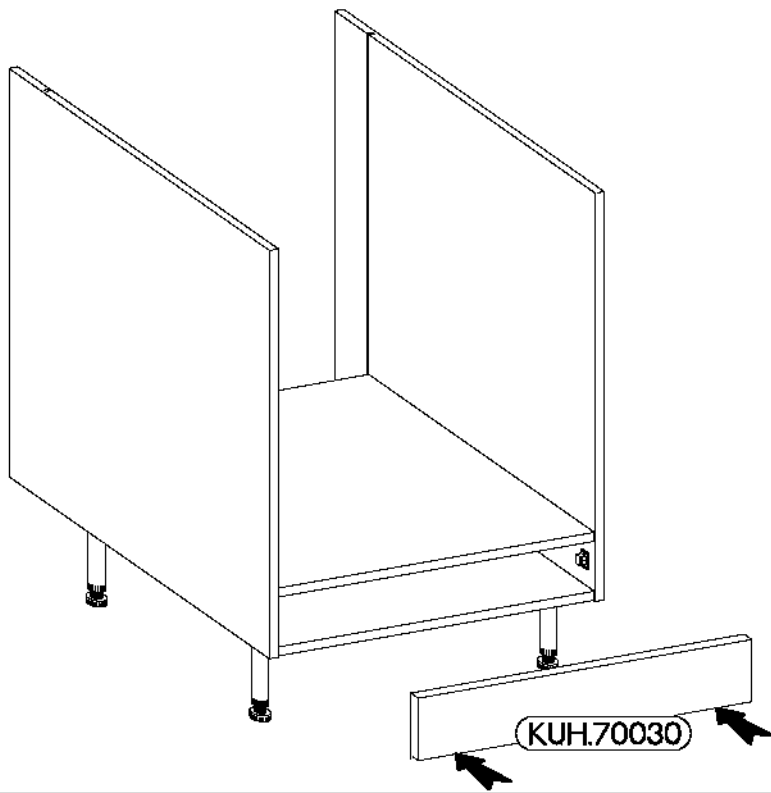
P7

P7



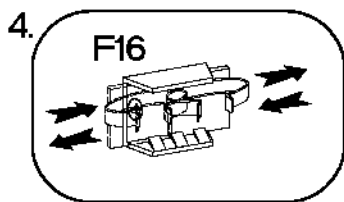
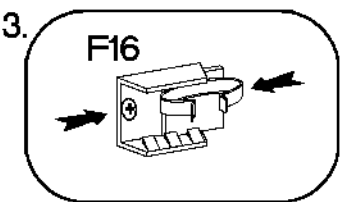
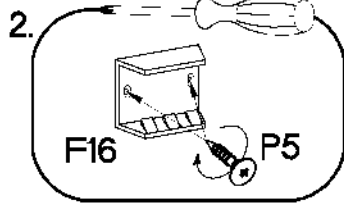
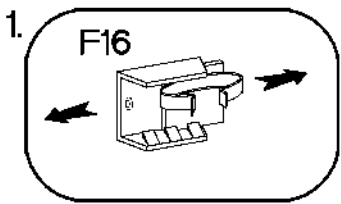
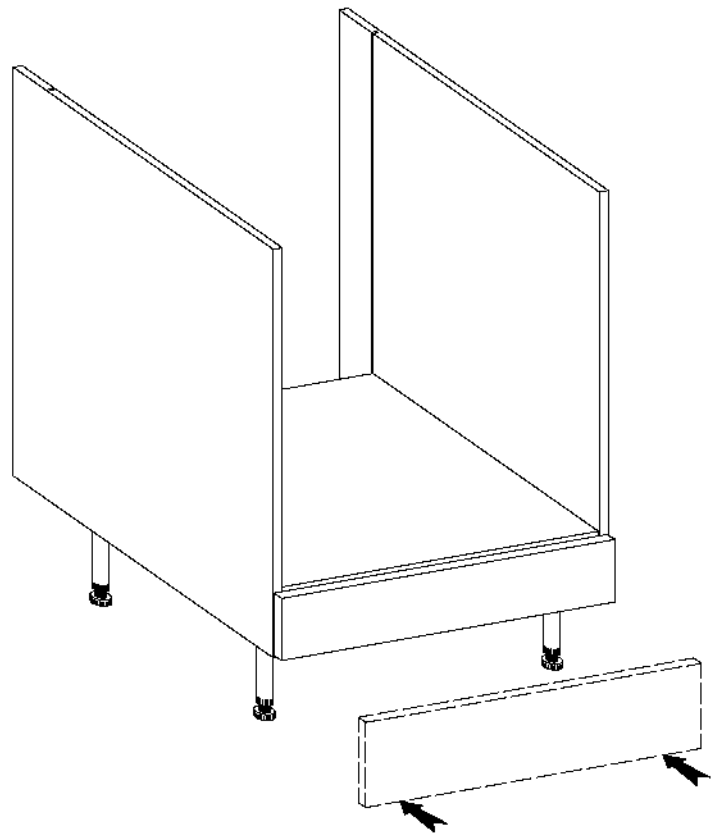
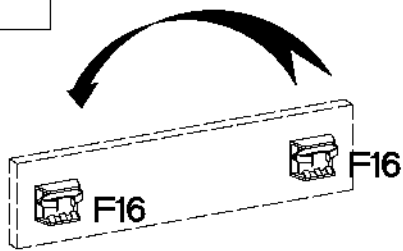
A=B

6

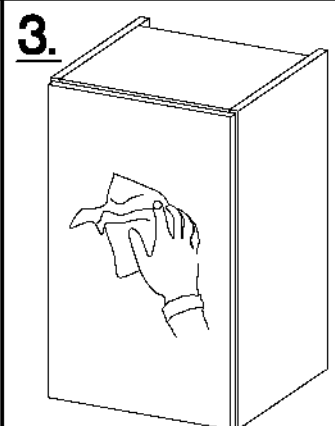
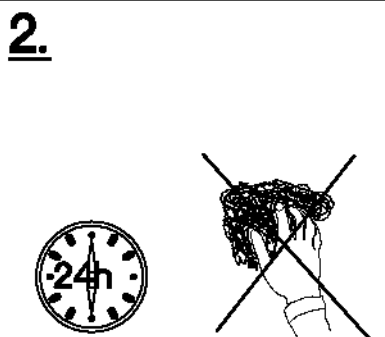
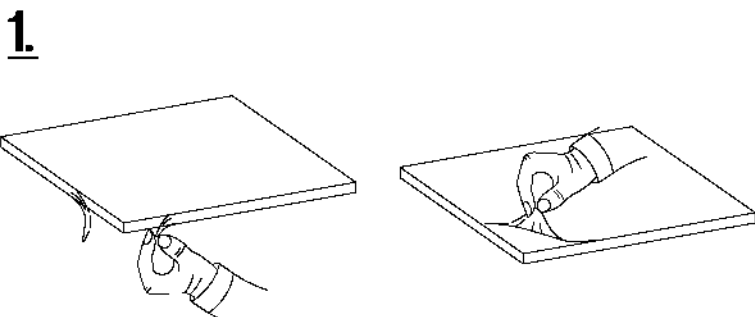


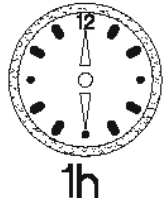
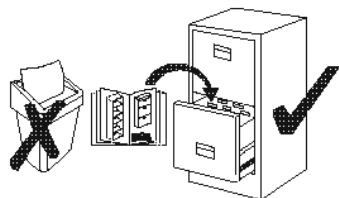
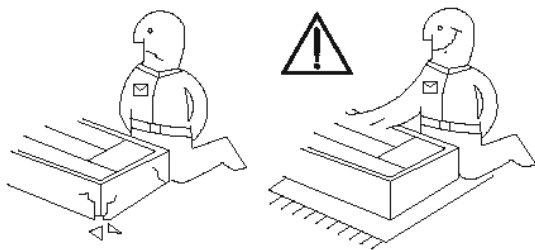
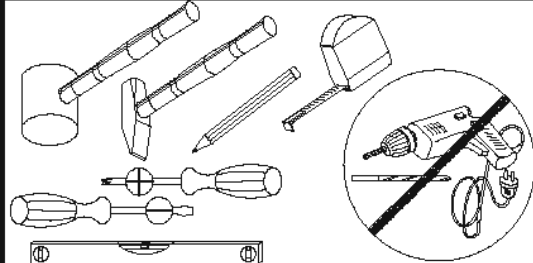
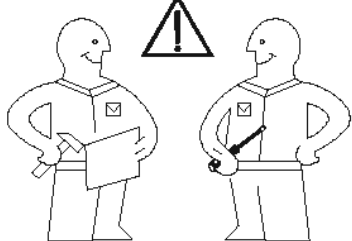
7

 P5 4	 F16 2
-------------	--------------



VARIANT HIGH GLOSS





SAFADO / MARLEEN

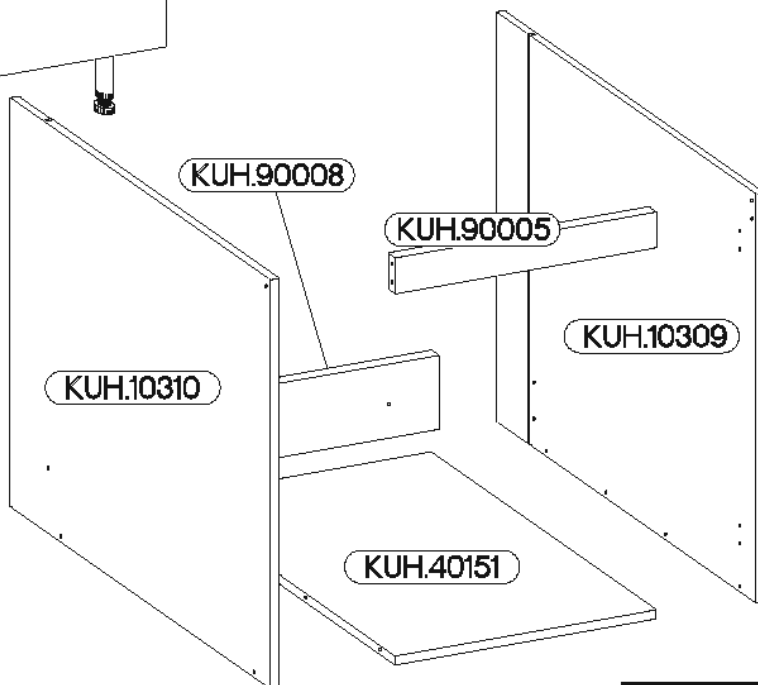
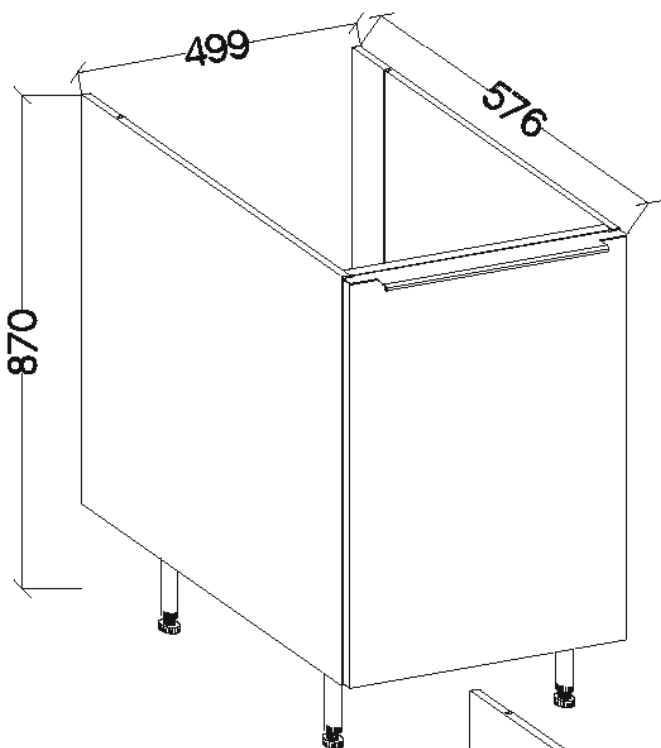
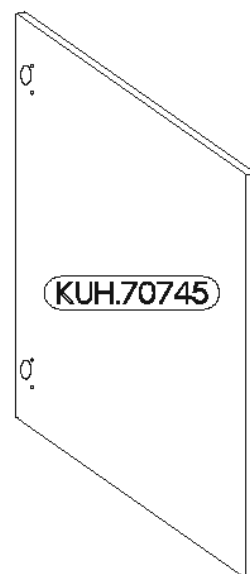
84-170-...
84-176-...
84-17C-...



respekta®



KUH.40151



±8x30mm A	6,4 x 50mm B	 E1	 L37	 L38			
8	8	8	2	2			
 F15	 F16	±35/0mm HG	 O	±3.5x13mm P5	±3.0x16mm P11	L=495mm SL50	 T10
4	2	2	1	32	17	1	2

Colli	Spare Part	Dimension
Colli 3/6	KUH.10309	720x560x16
	KUH.10310	720x560x16
	KUH.40151	467x485x16
	KUH.70745	711x496x16
	KUH.90005	467x63x16
	KUH.90008	467x130x16

ISM-KUH-01603

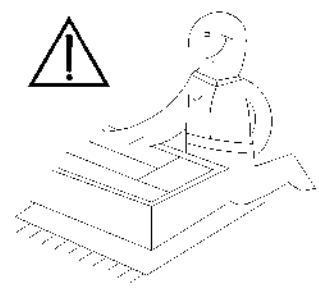
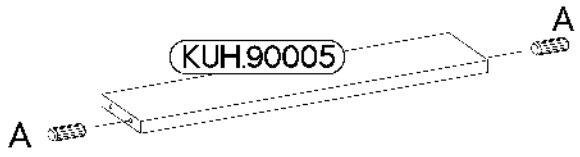
+8x30mm



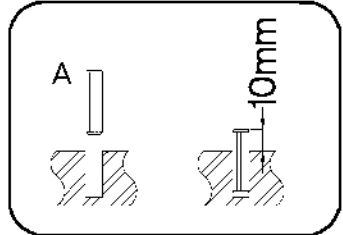
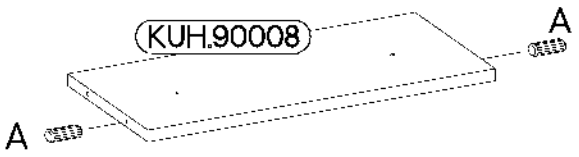
A

4

KUH.90005



KUH.90008



2

+8x30mm +3.5x13mm



4

A



P5

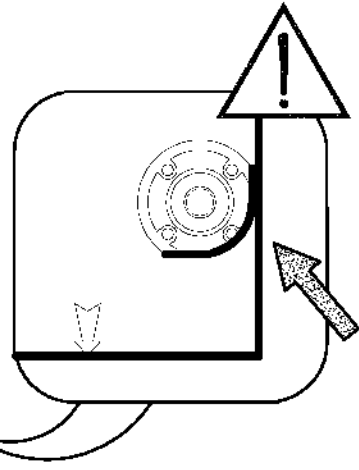
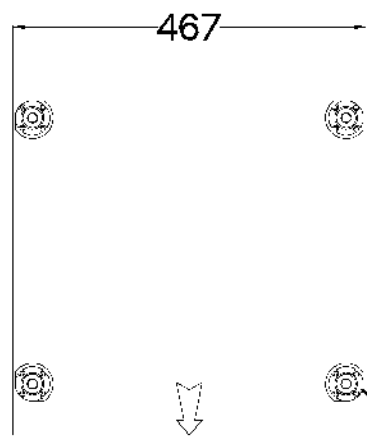
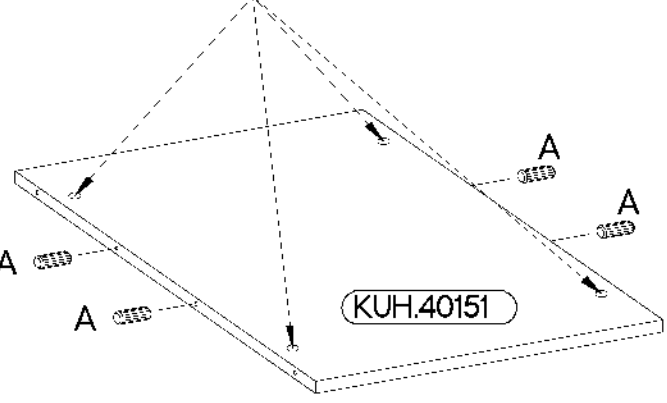
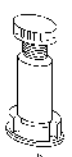
16



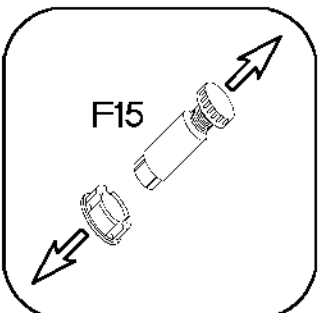
F15

4

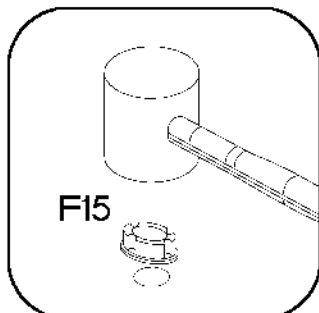
F15



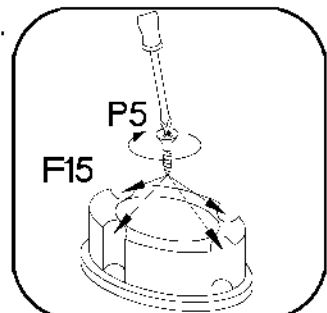
1.



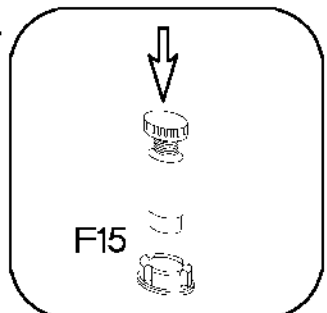
2.



3.



4.



3

+35/0mm +3.5x13mm



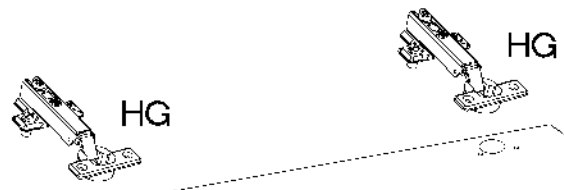
HG

2

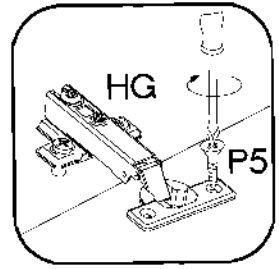


P5

4

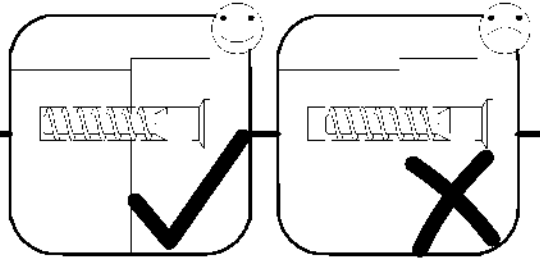
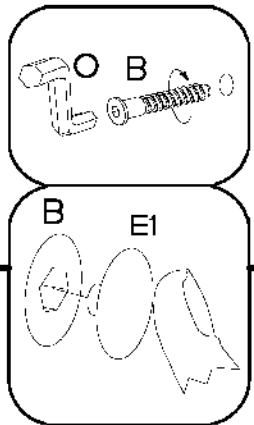
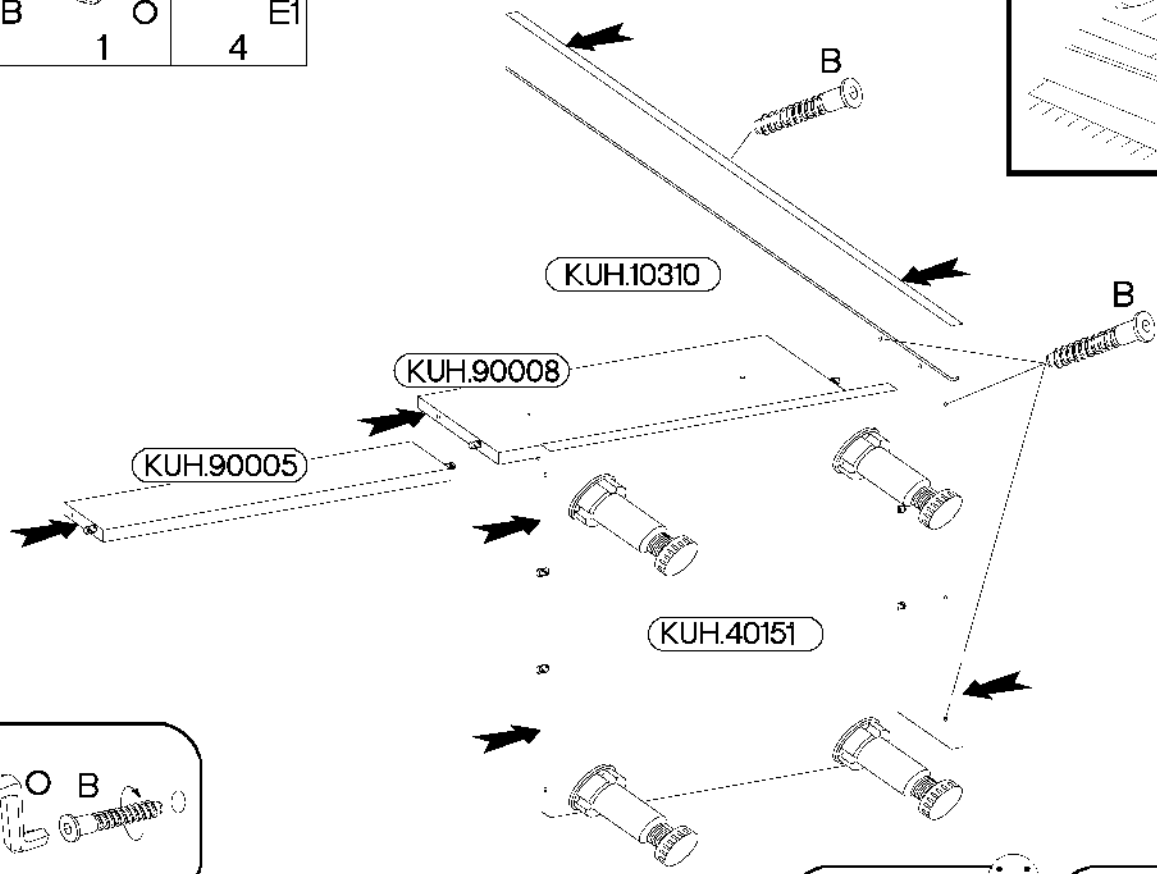
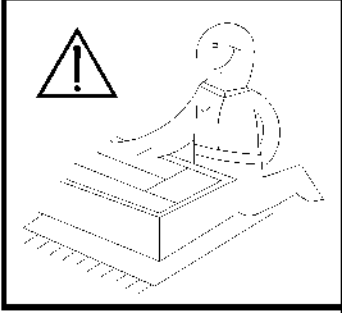
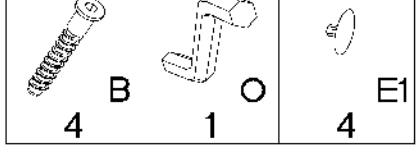


KUH.70745

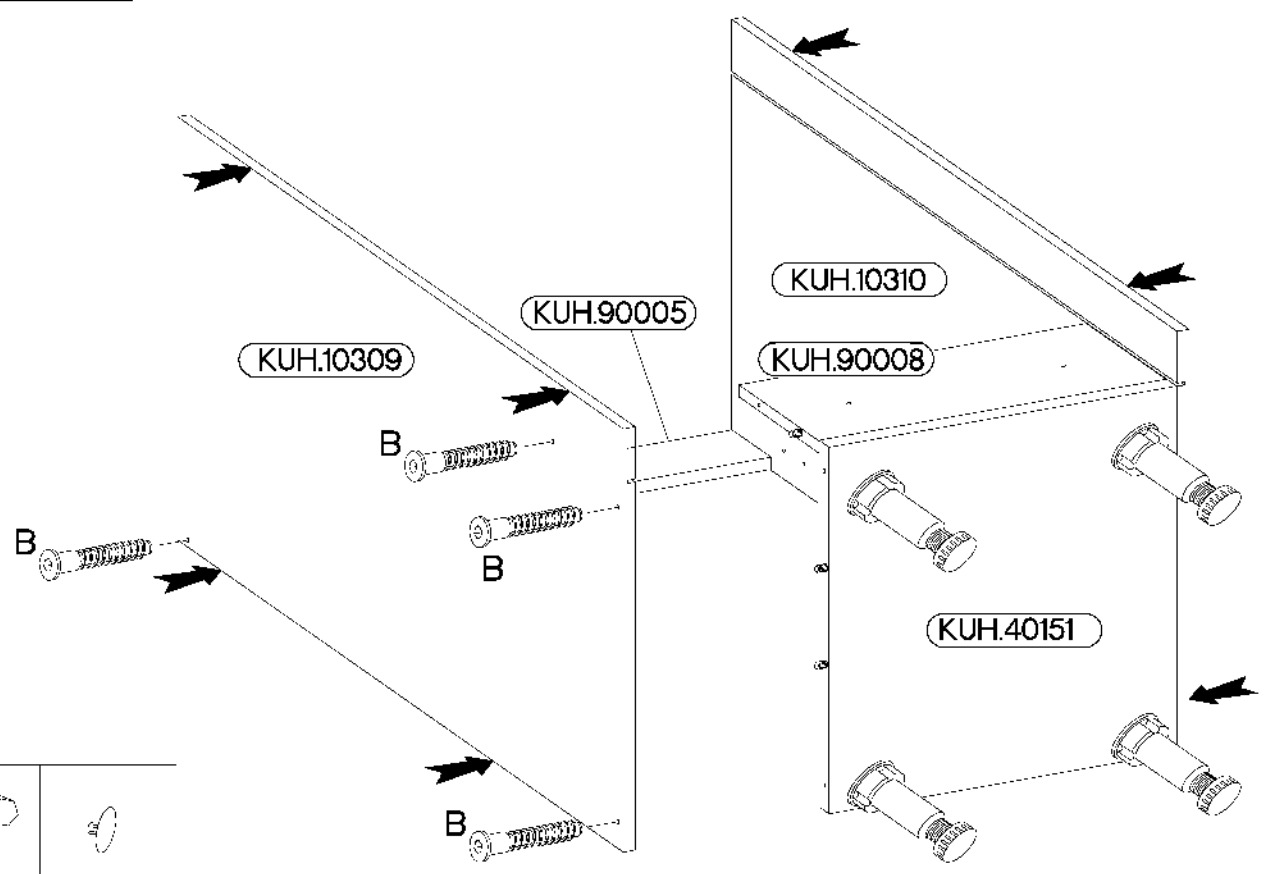


4

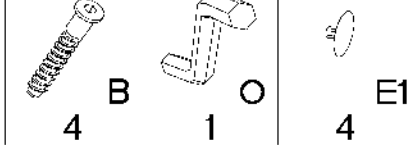
6,4 x 50mm



5



6,4 x 50mm



6

+3.5x13mm



P5

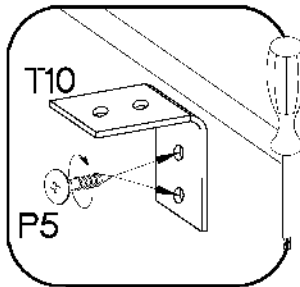
8



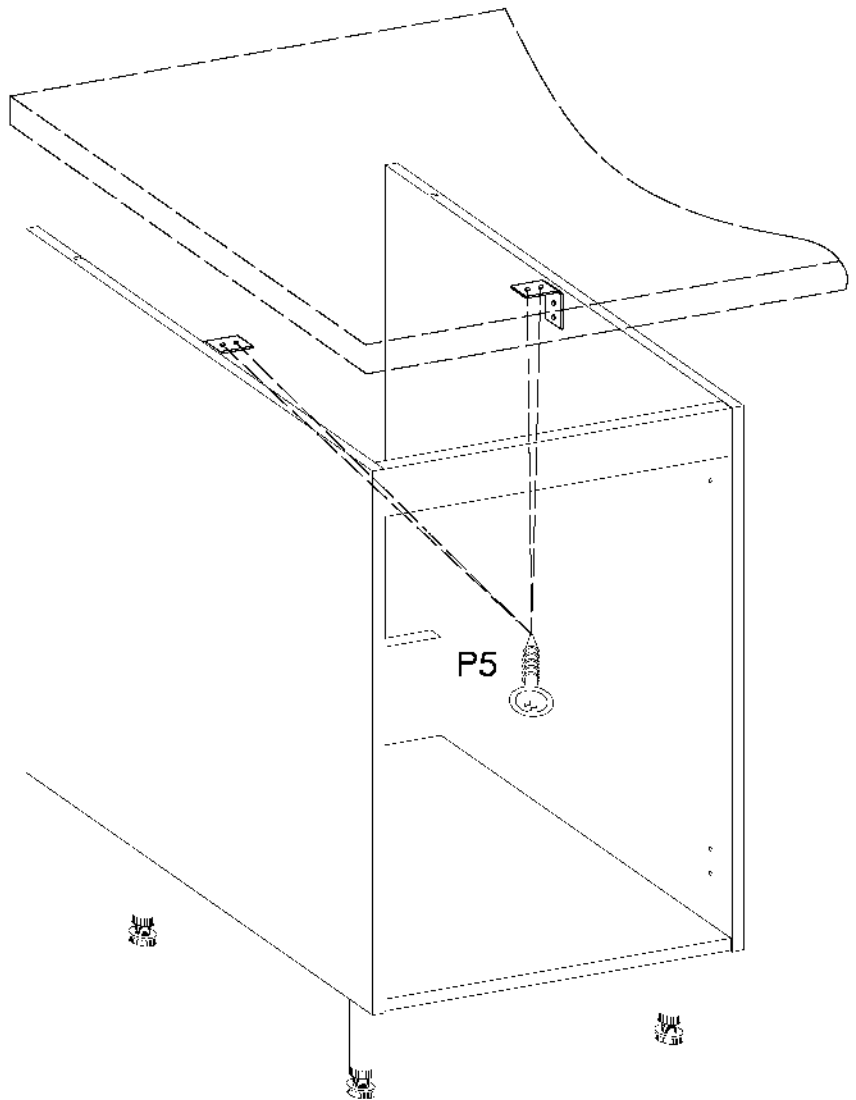
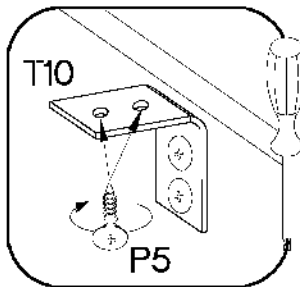
T10

2

1.



2.

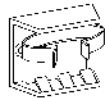
**7**

+3.5x13mm



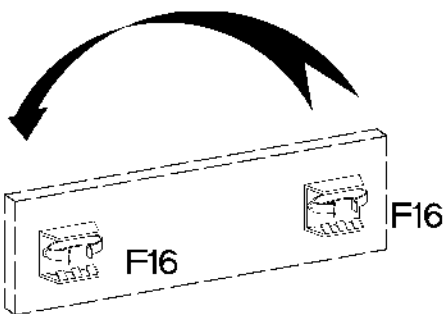
P5

4

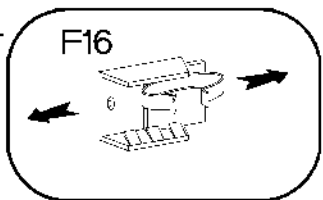


F16

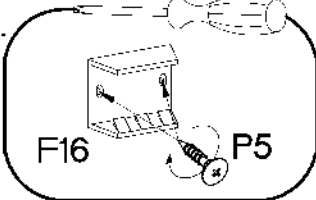
2



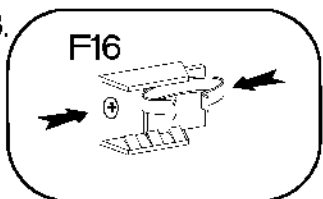
1.



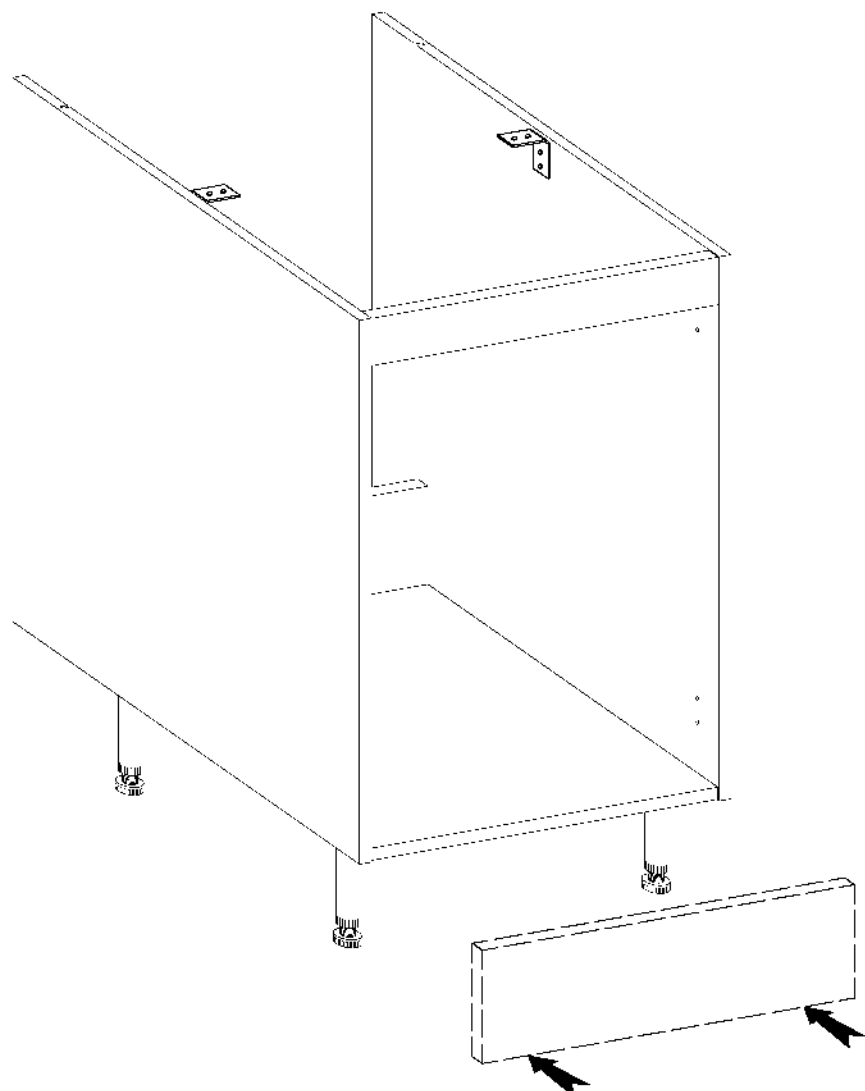
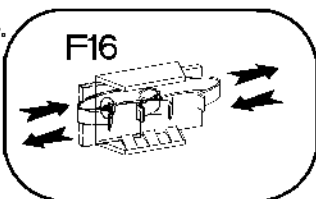
2.





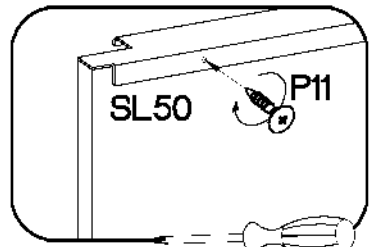
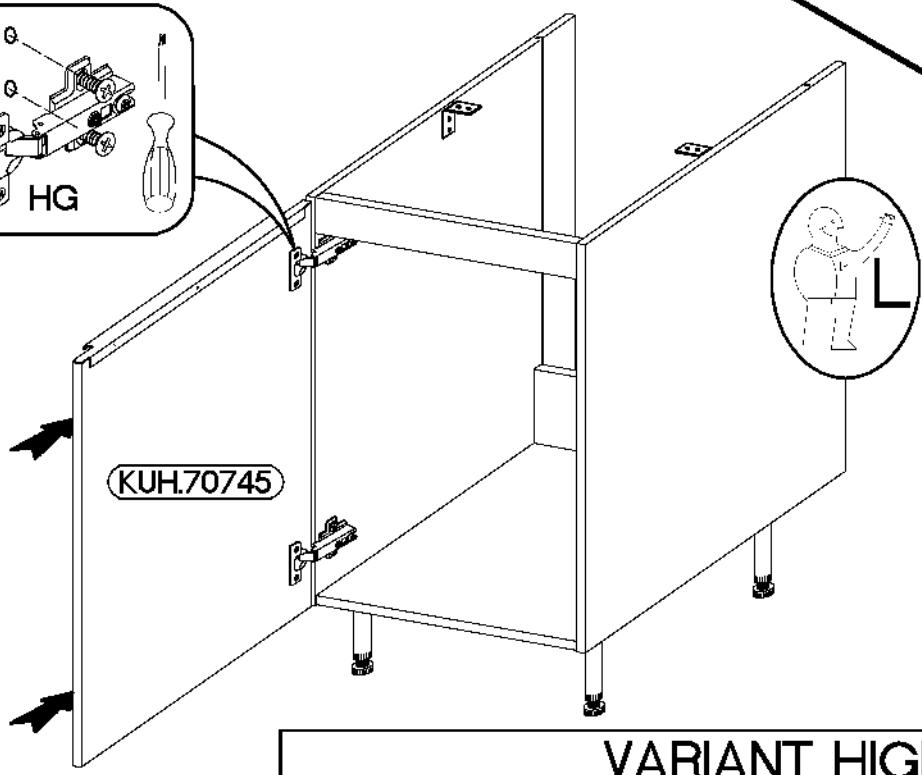
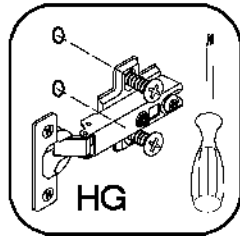
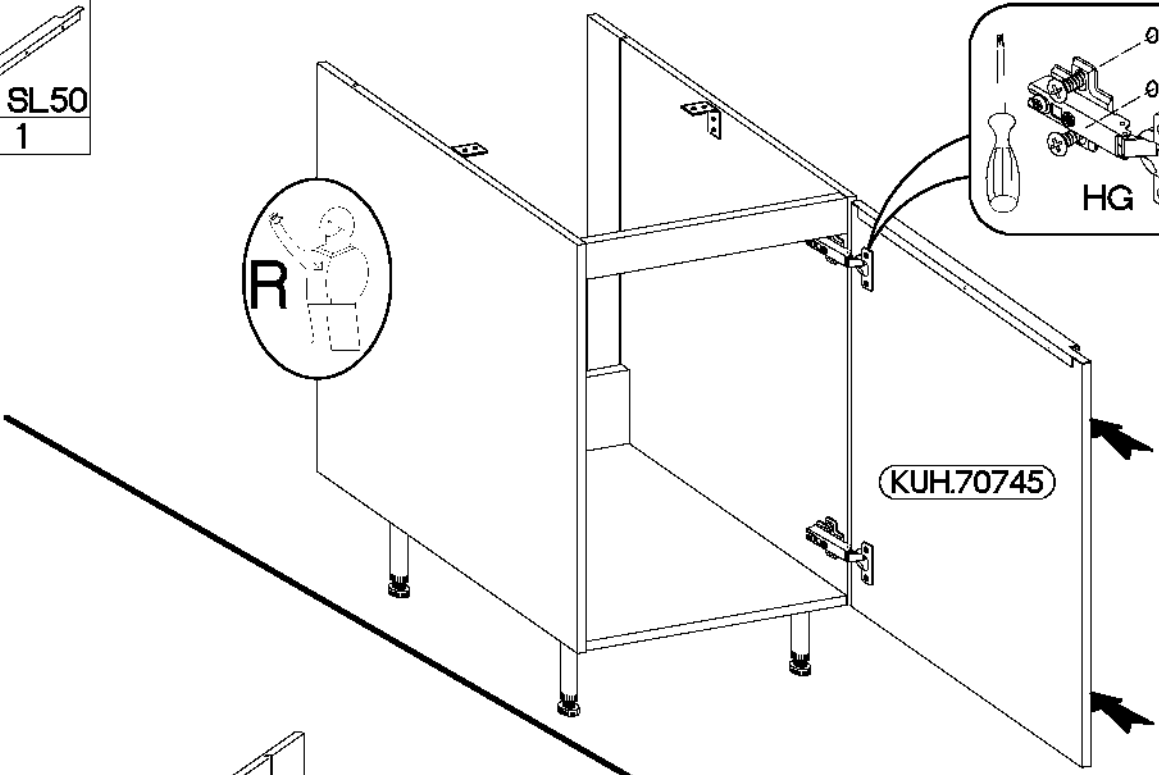
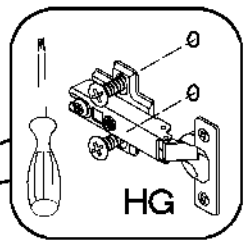
3.



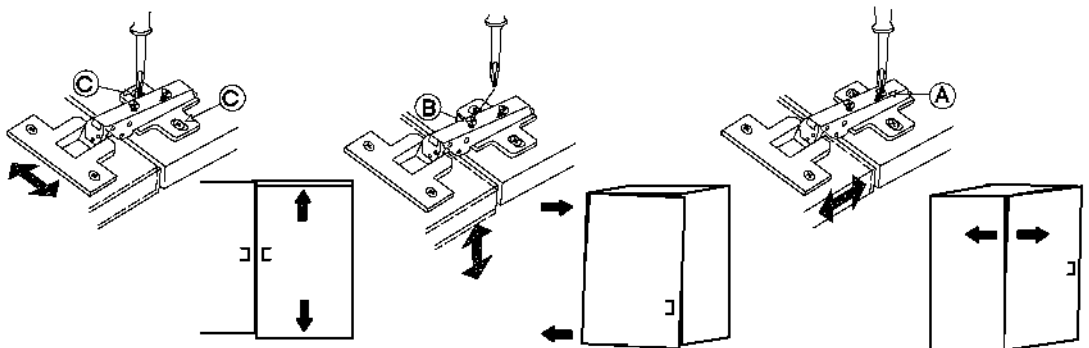
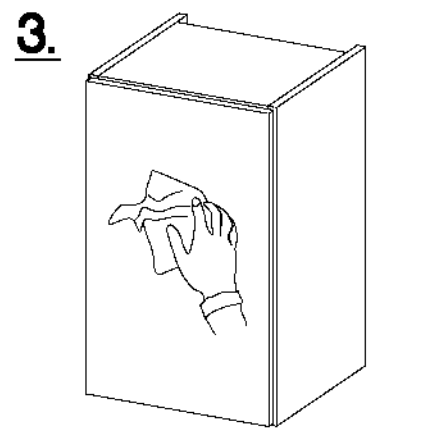
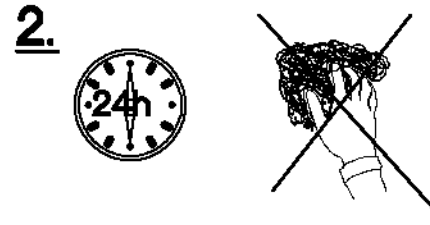
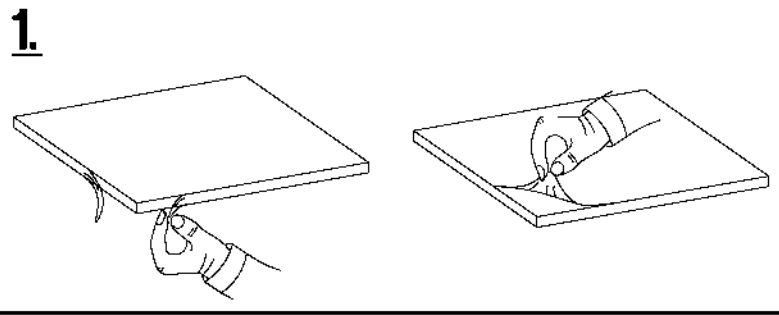
4.

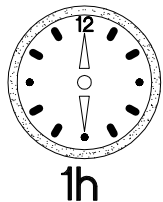
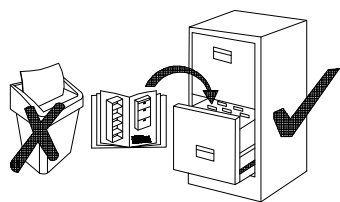
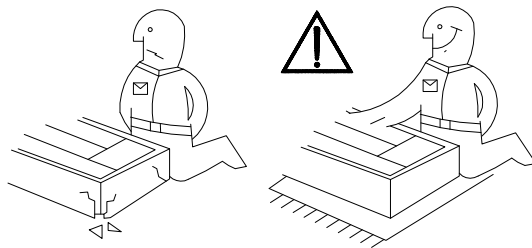
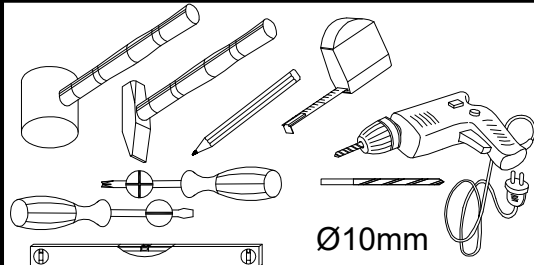
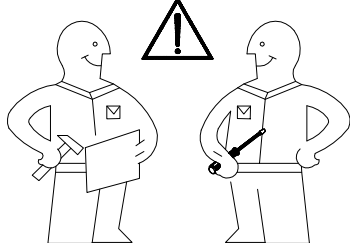


∅3.0x16mm	L=495mm
	
P11	SL50
3	1



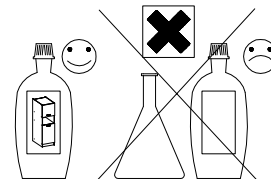
VARIANT HIGH GLOSS



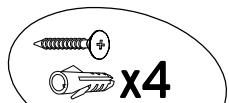
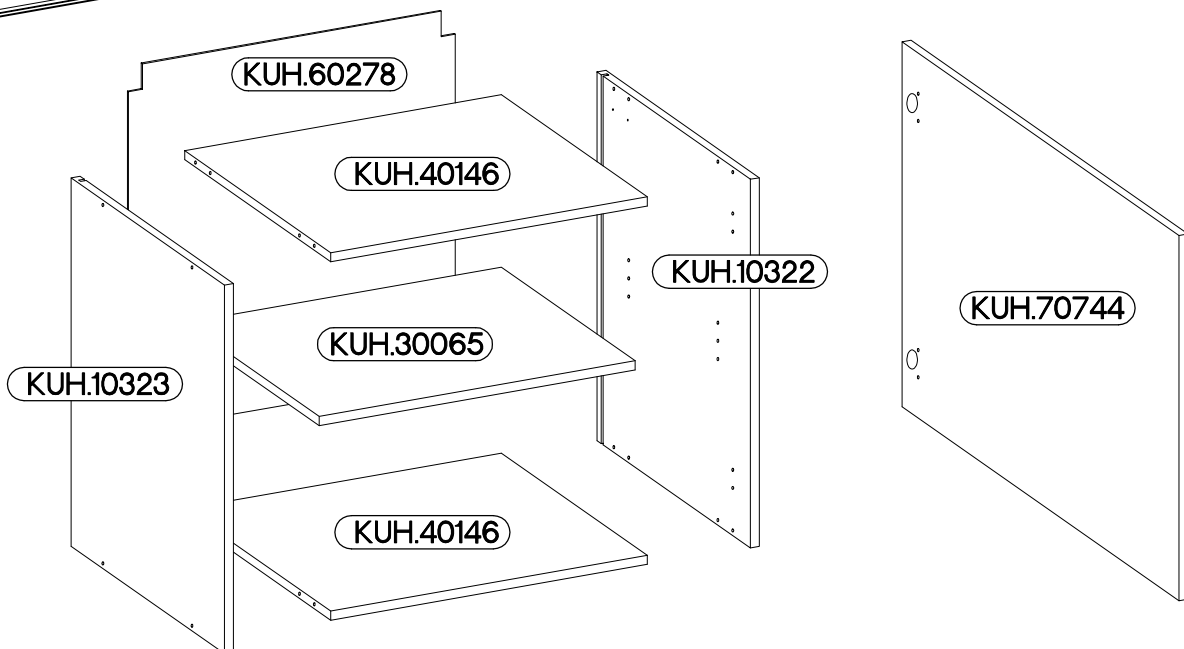
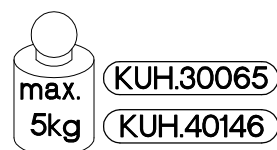
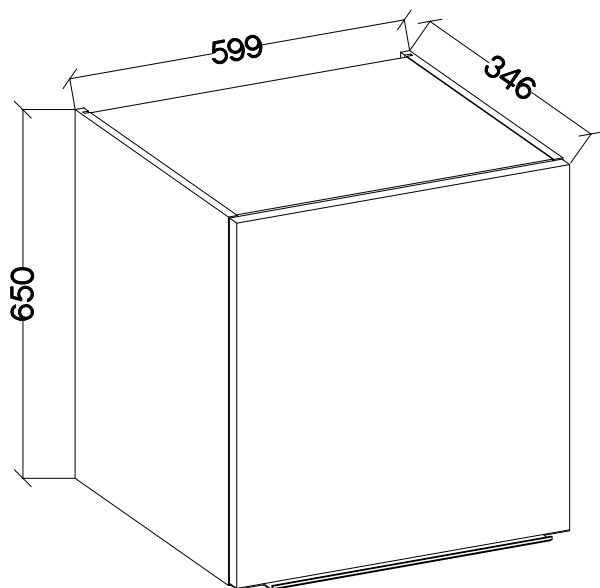


SAFADO / MARLEEN

84-170-...
84-176-...
84-17E-...



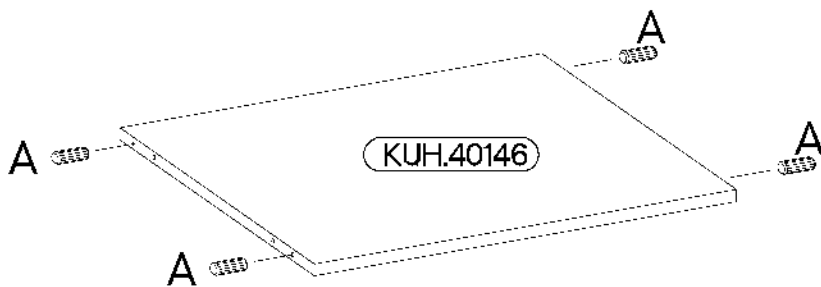
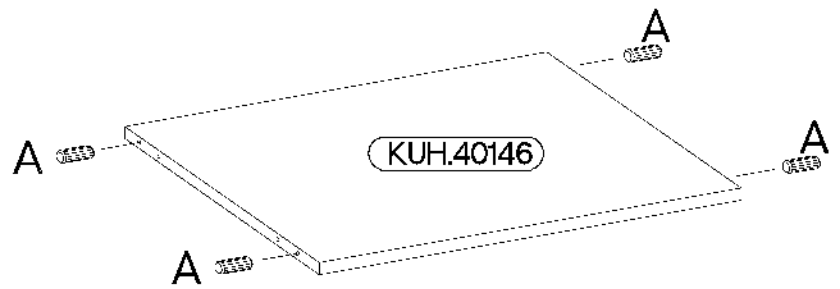
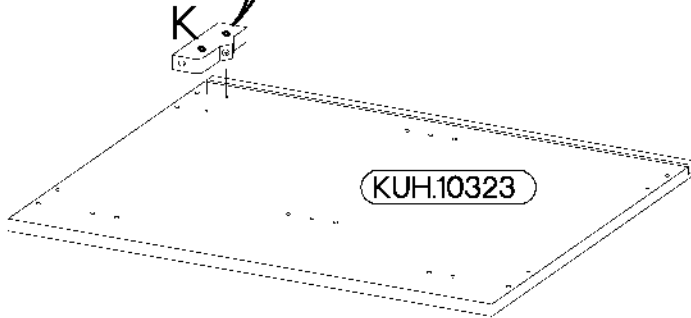
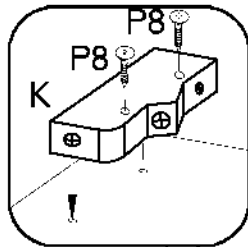
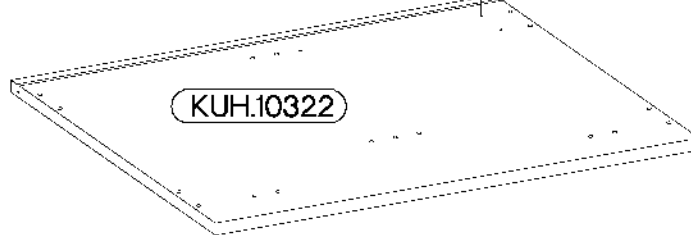
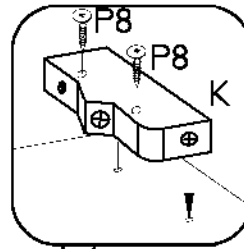
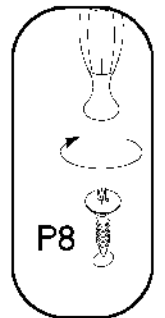
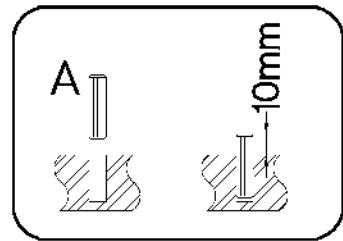
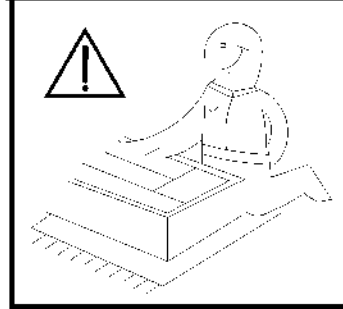
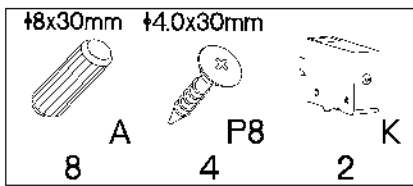
respekta®



 A 8	 B 8	 E1 8	 HG 2	 J3 4	 K 2	 K16 2
 O 1	 P5 4	 P7 10-15	 P8 4	 P11 4	 R 2	 SL60 1
+8x30mm	6,4 x 50mm		+35/0mm	+5/16mm		
	+3.5x13mm	+3.0x20mm	+4.0x30mm	+3.0x16mm	+4.0x25mm	L=595mm

Colli	Spare Part	Dimension
Colli 5/6	KUH.10322	650x330x16
	KUH.10323	650x330x16
	KUH.30065	566x288x16
	KUH.40146 x2	567x314x16
	KUH.60278	646x585x2,5
	KUH.70744	644x596x16

ISM-KUH-01604



2

6,4 x 50mm



4

B



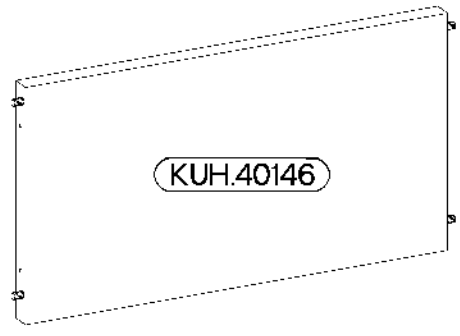
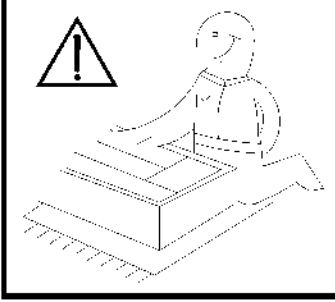
1

O

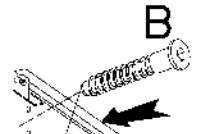


4

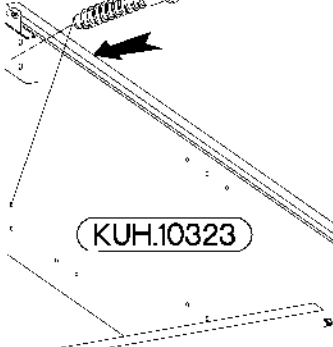
E1



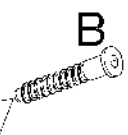
KUH.40146



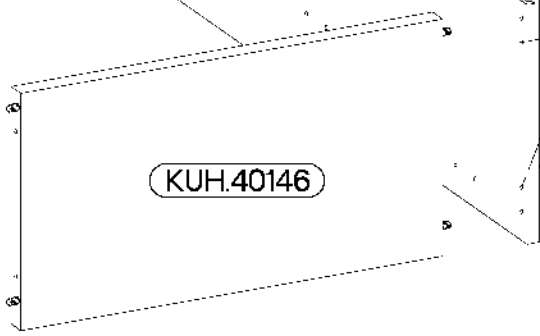
B



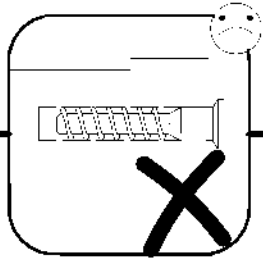
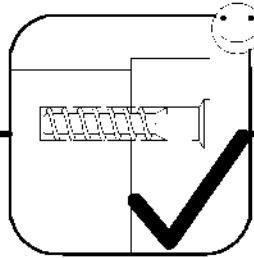
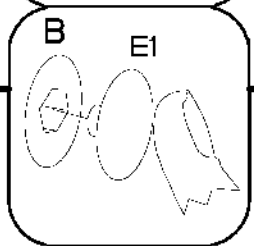
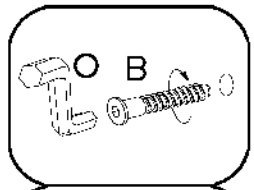
KUH.10323



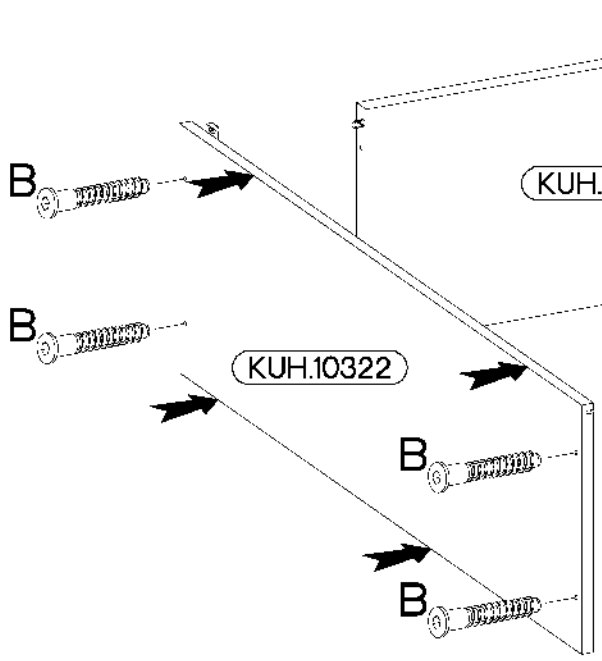
B



KUH.40146

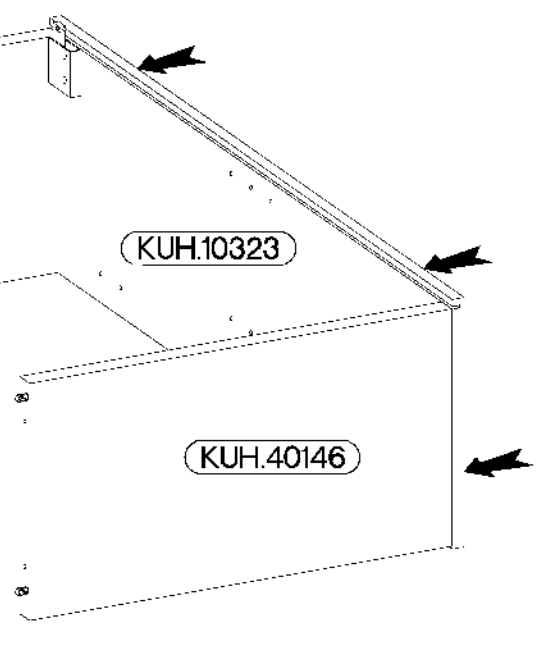


3



KUH.40146

KUH.10322



KUH.10323

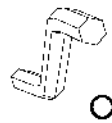
KUH.40146

6,4 x 50mm



4

B



1

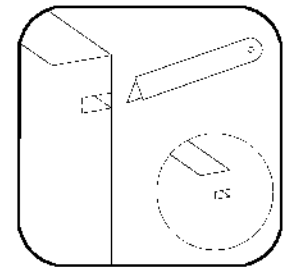
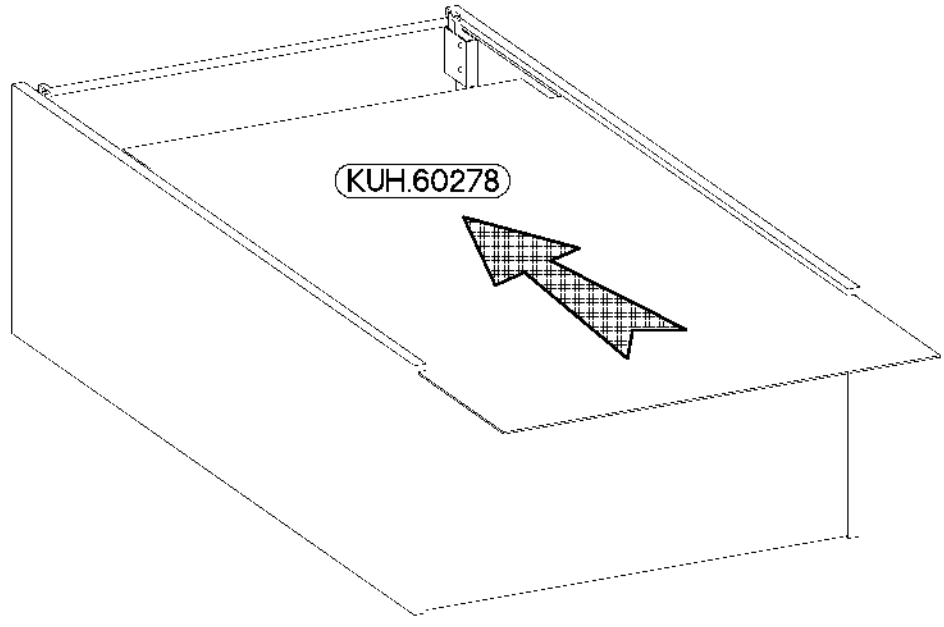
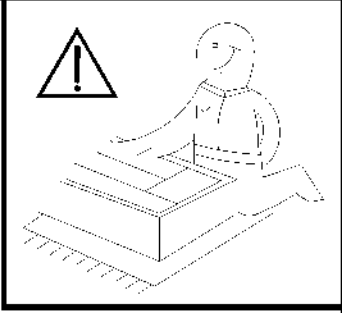
O



4

E1

4



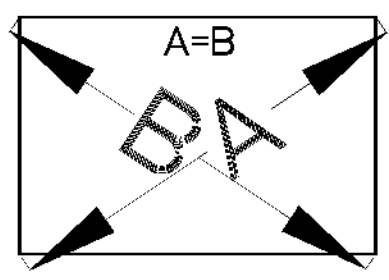
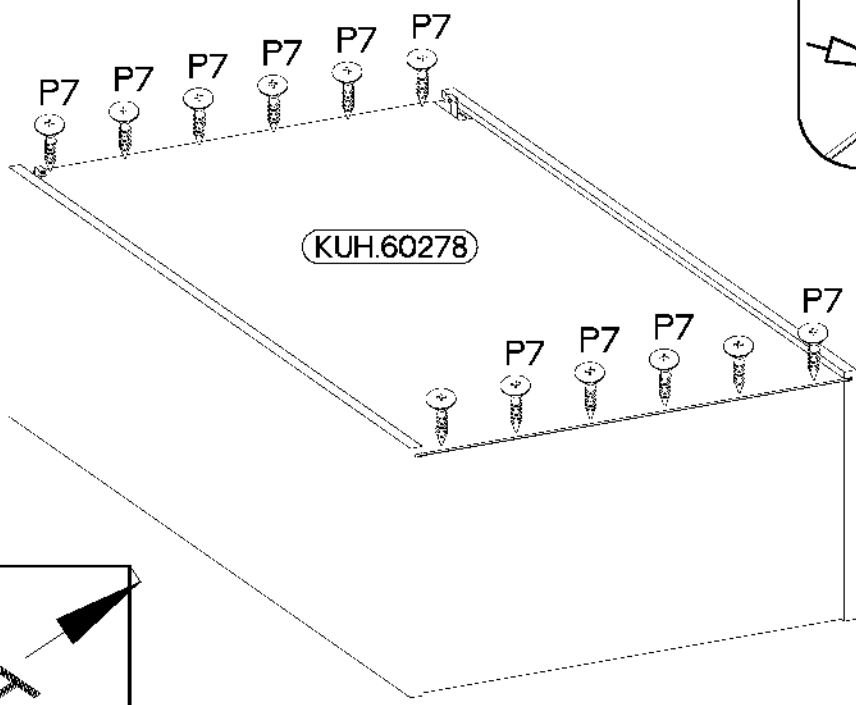
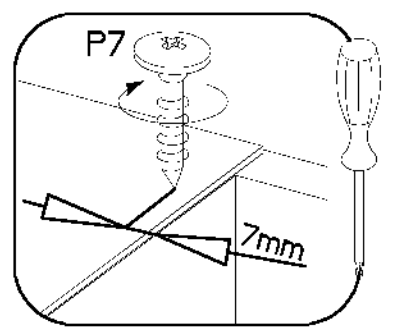
5

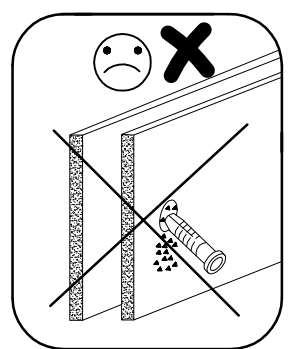
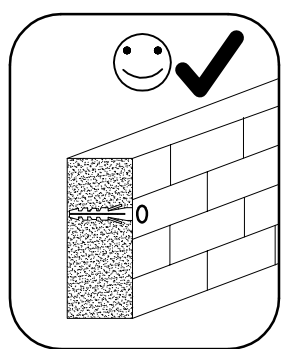
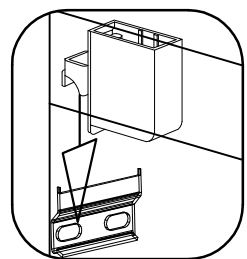
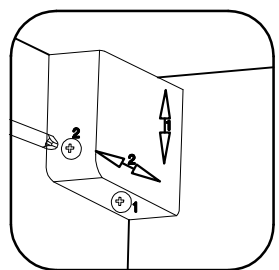
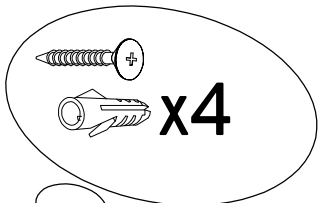
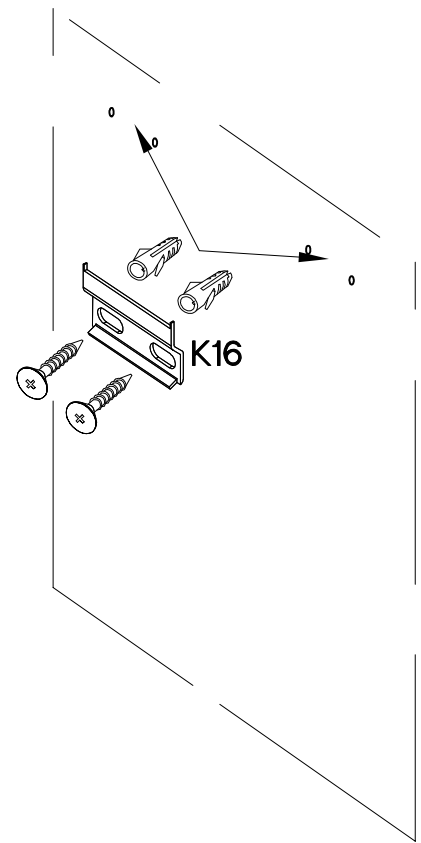
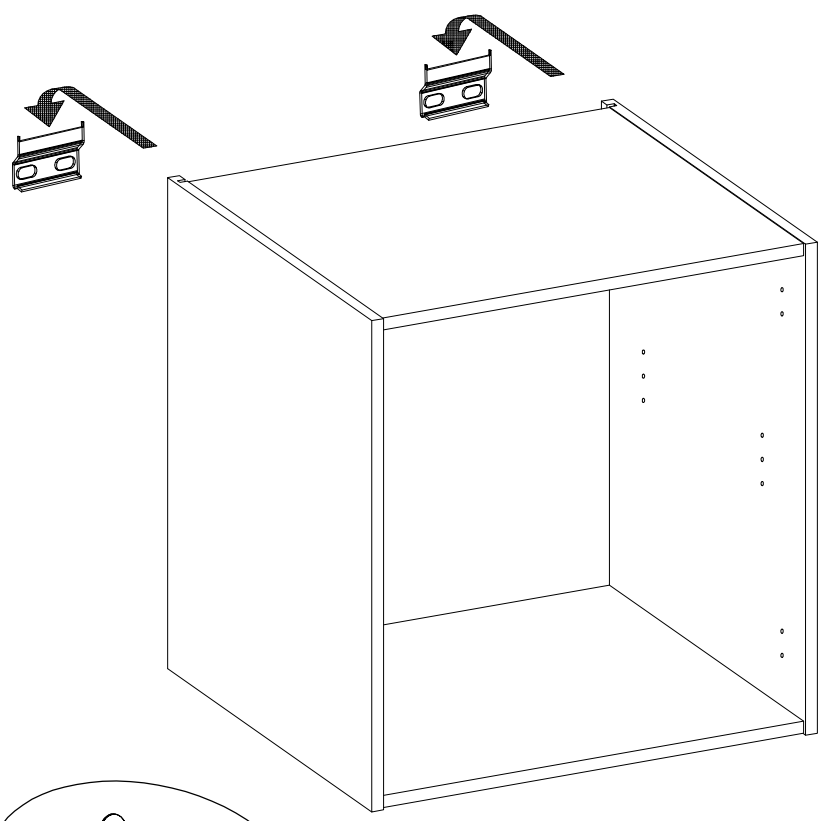
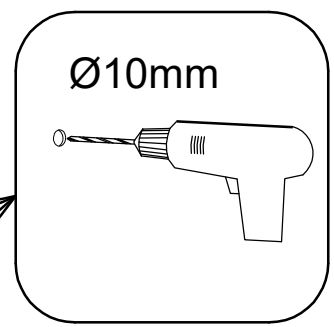
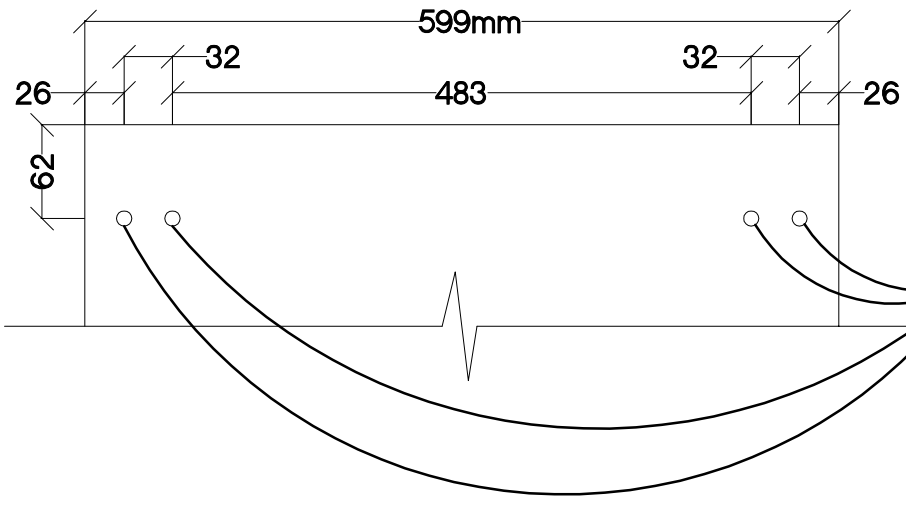
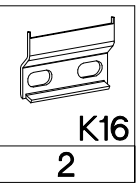
φ3.0x20mm



P7

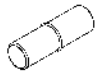
10-15





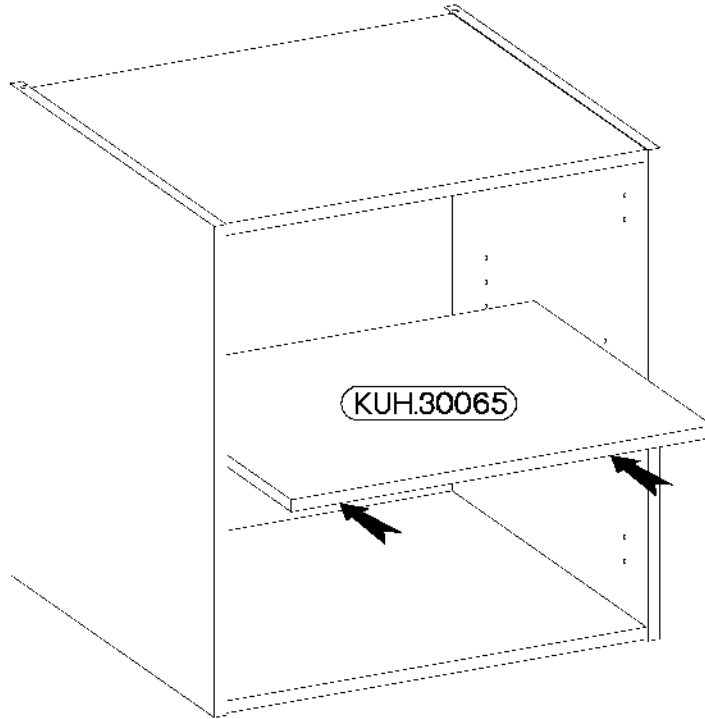
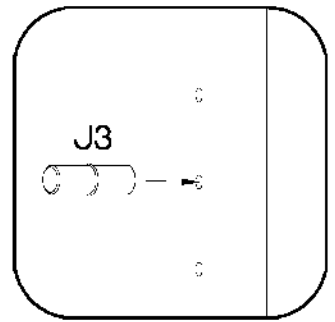


±5/16mm



J3

4



8

±35/0mm

±3.5x13mm



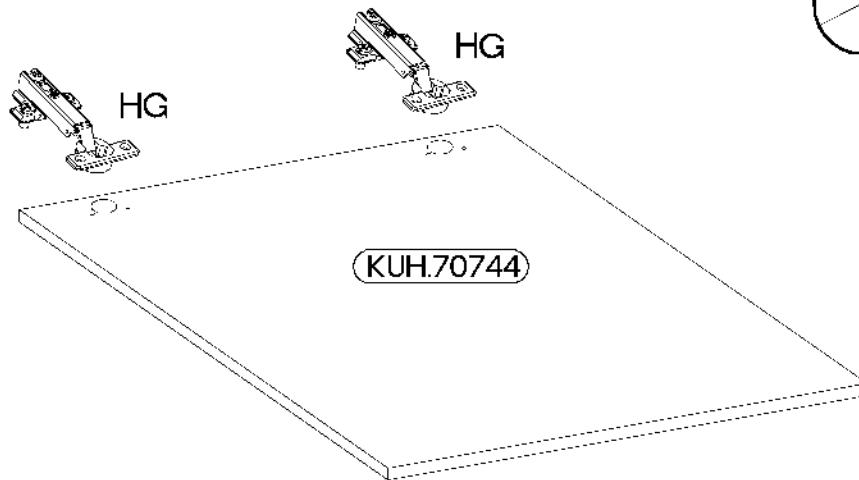
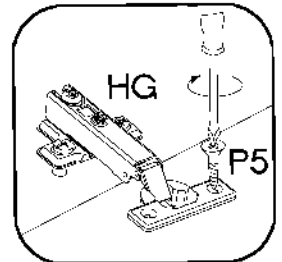
HG

2


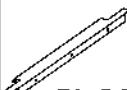


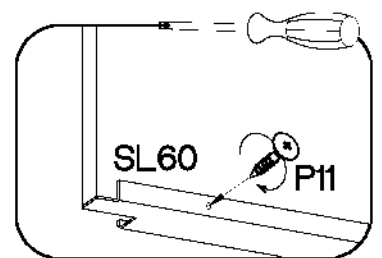
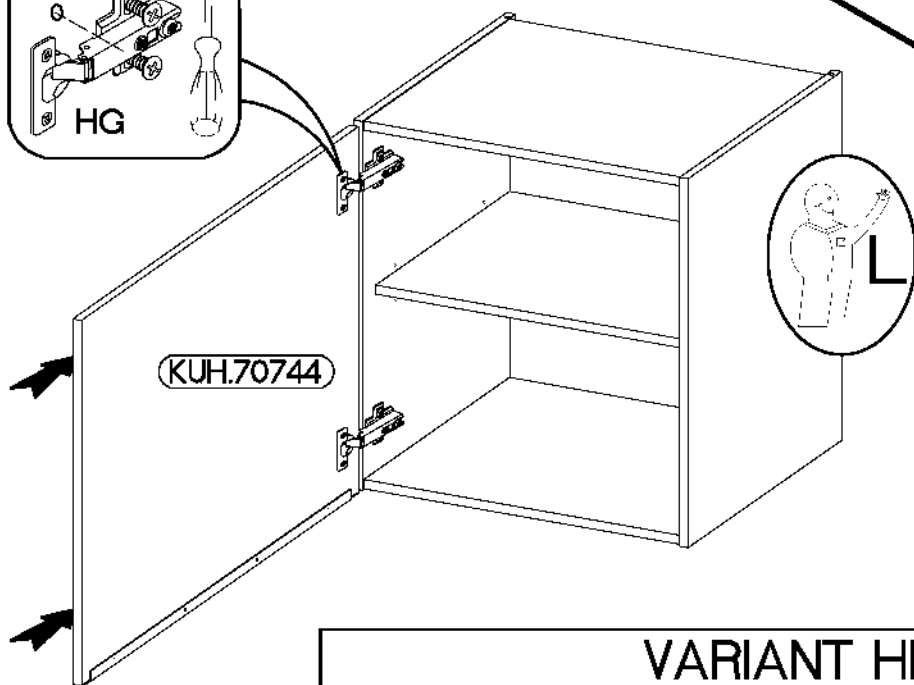
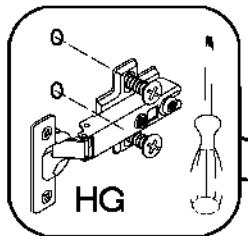
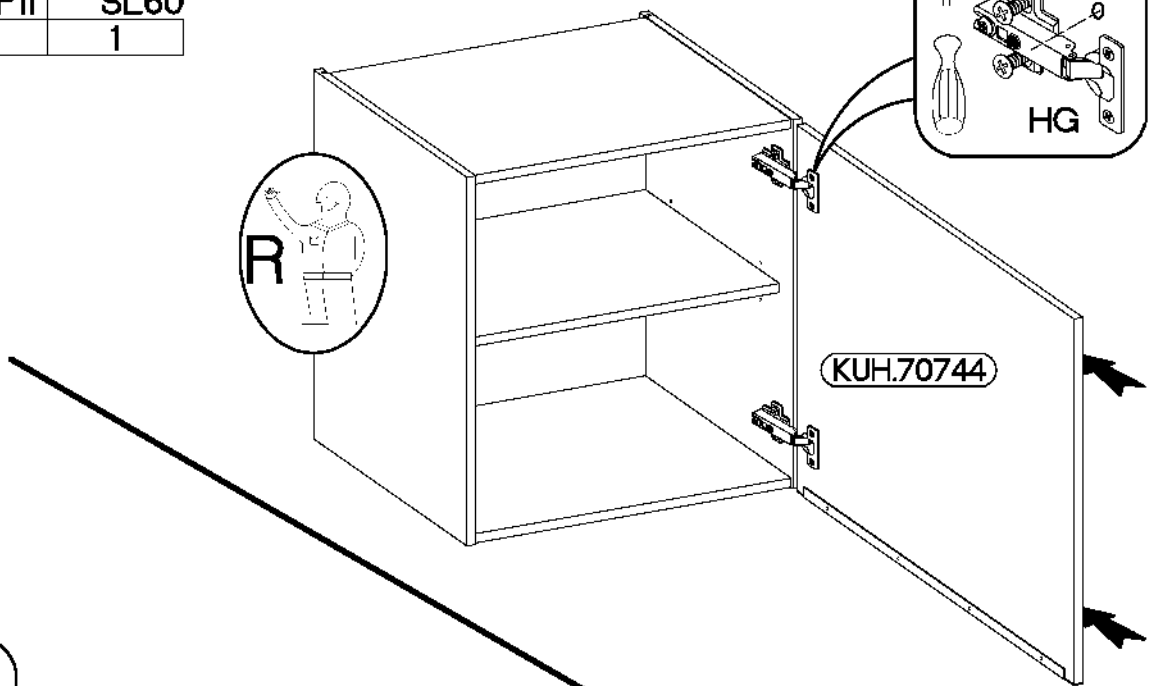
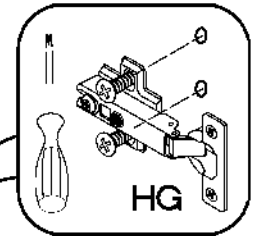
P5

4

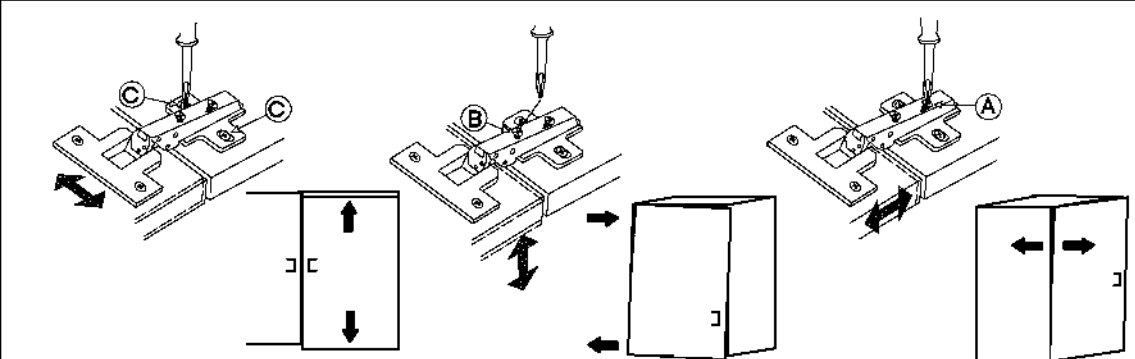
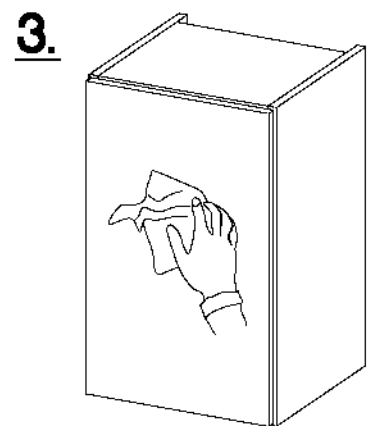
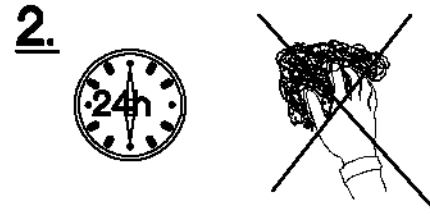
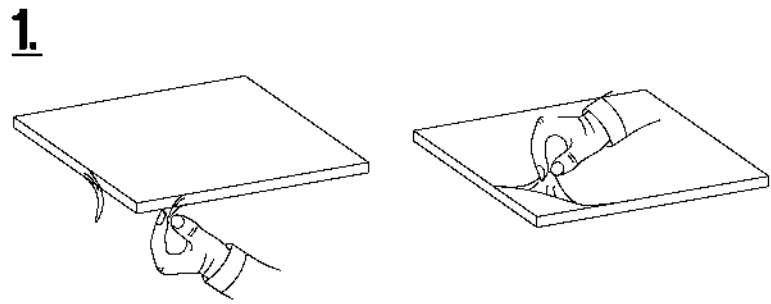


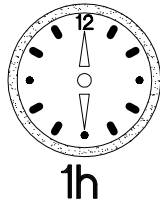
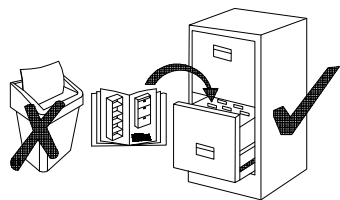
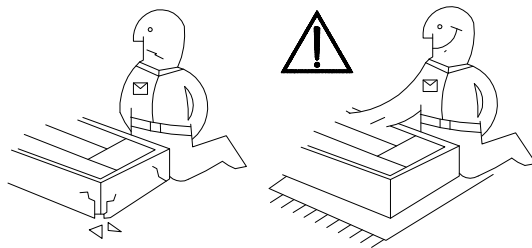
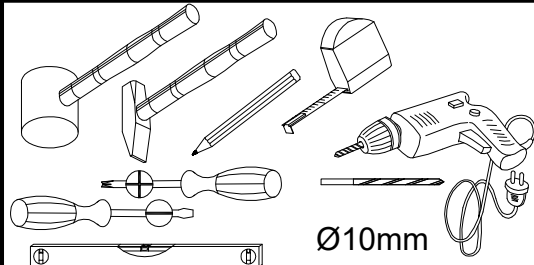
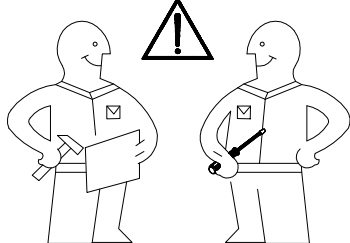
9

3.0x16mm	L=595mm
	
P11	SL60
4	1



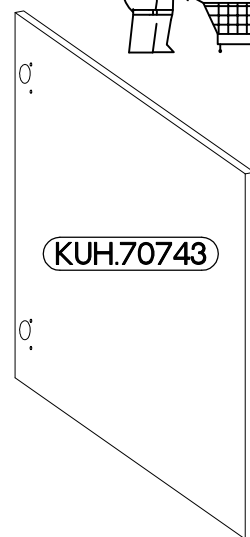
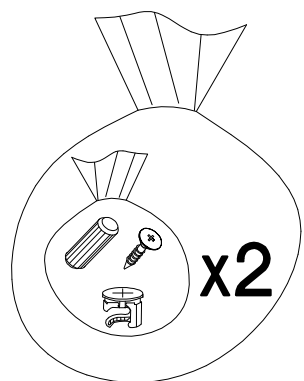
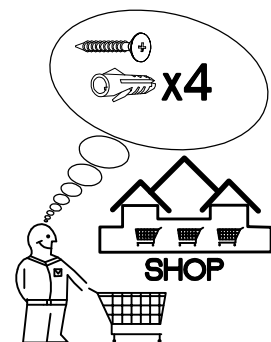
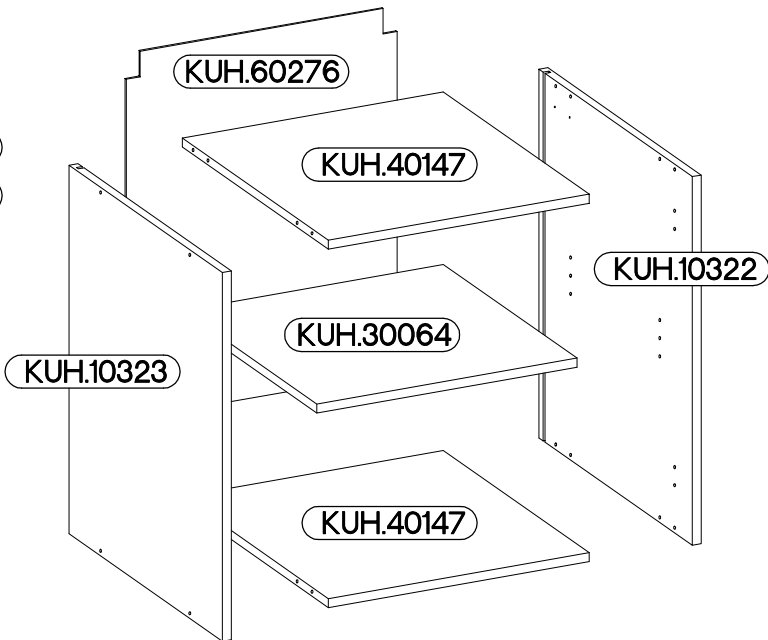
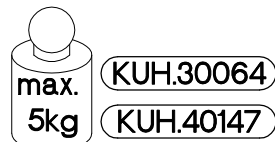
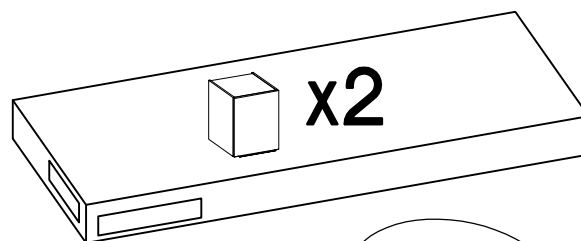
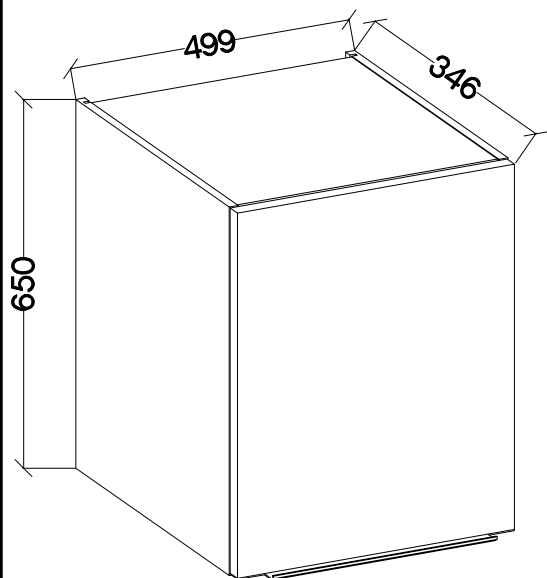
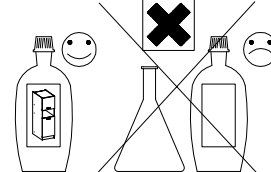
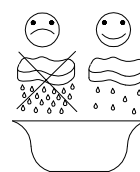
VARIANT HIGH GLOSS

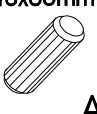
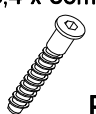
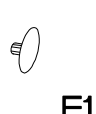

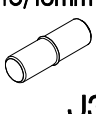
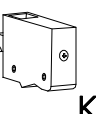

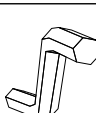




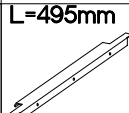




SAFADO / MARLEEN

84-170-...
84-176-...
84-17D-...

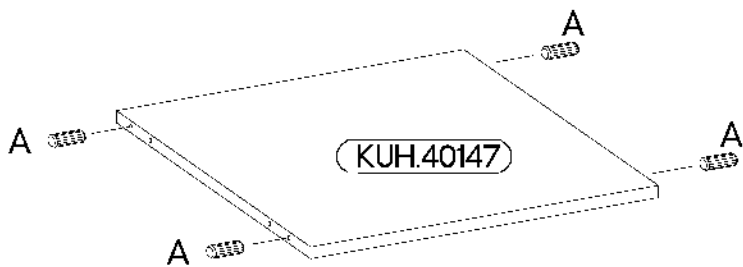
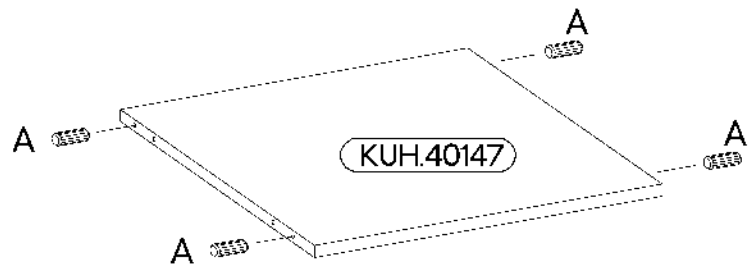
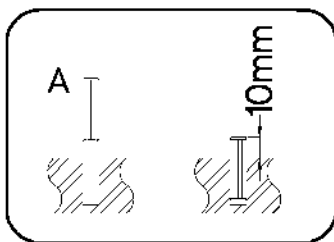
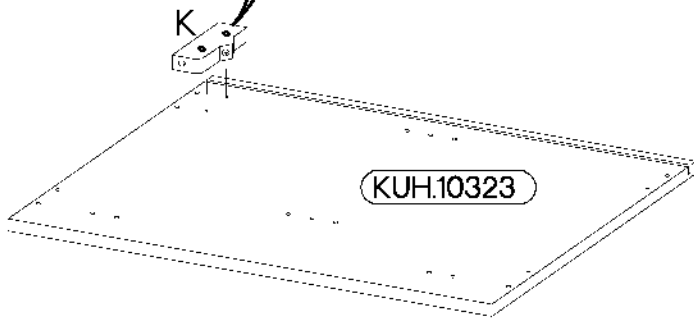
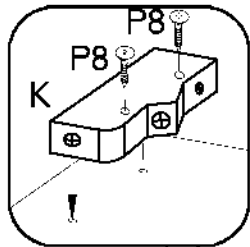
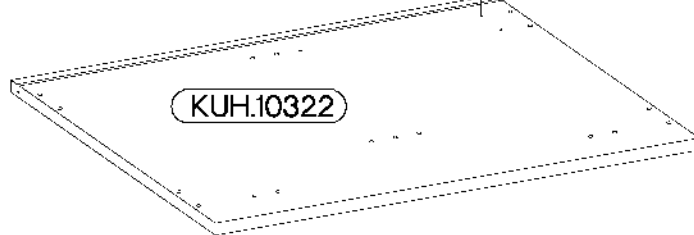
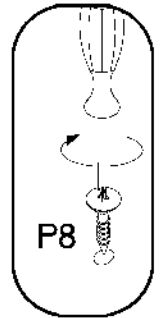
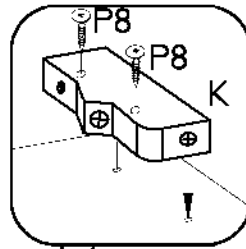
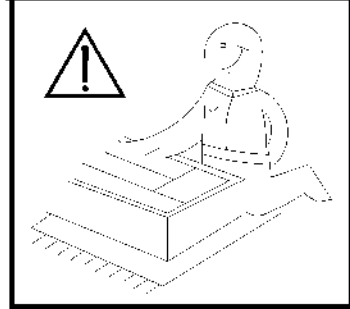
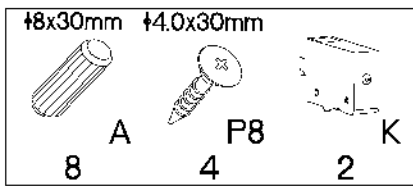


 A	 B	 E1	 HG	 J3	 K	
8	8	8	2	4	2	
 K16	 O	 P5	 P7	 P8	 P11	 SL50
2	1	4	8-10	4	3	1

Colli	Spare Part	Dimension
Colli 4/6	KUH.10322	650x330x16
	KUH.10323	650x330x16
	KUH.30064	466x288x16
	KUH.40147 x2	467x314x16
	KUH.60276	646x485x2,5
	KUH.70743	644x496x16

x2

ISM-KUH-01605



2

6,4 x 50mm



4

B



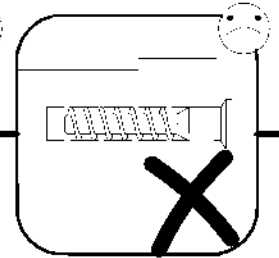
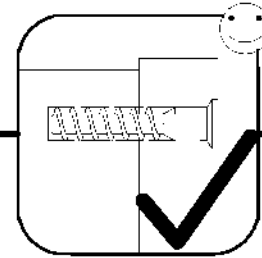
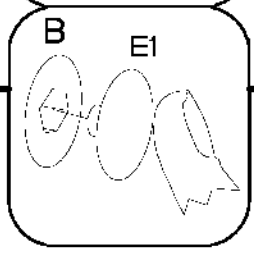
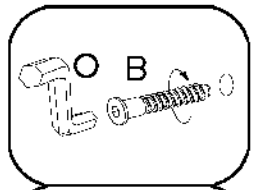
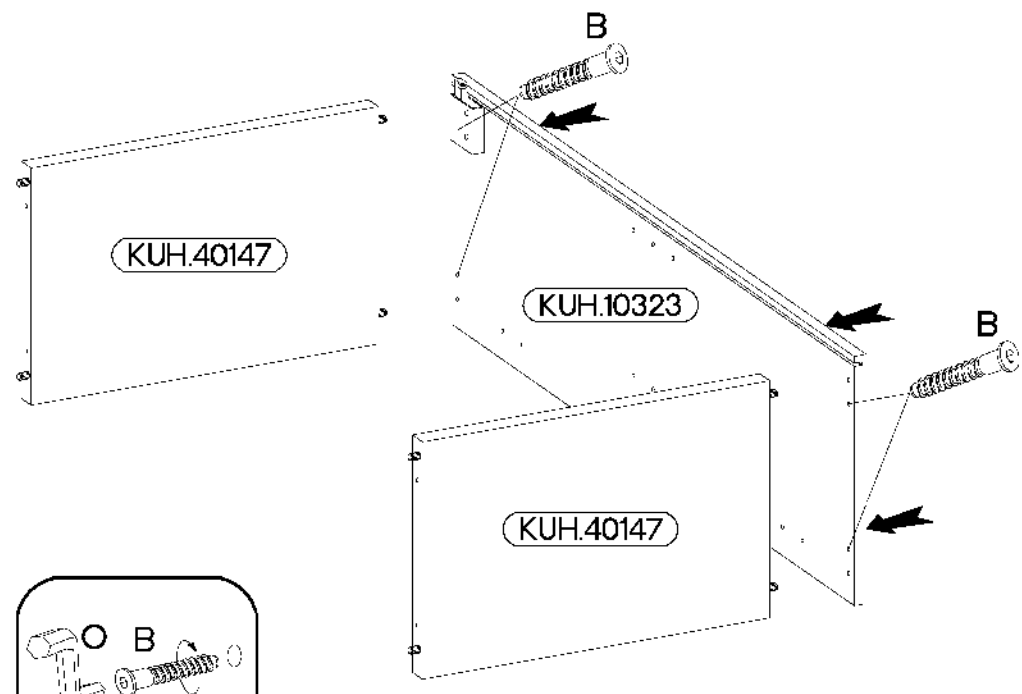
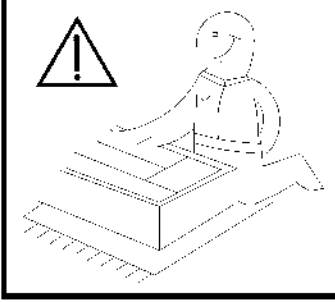
1

O

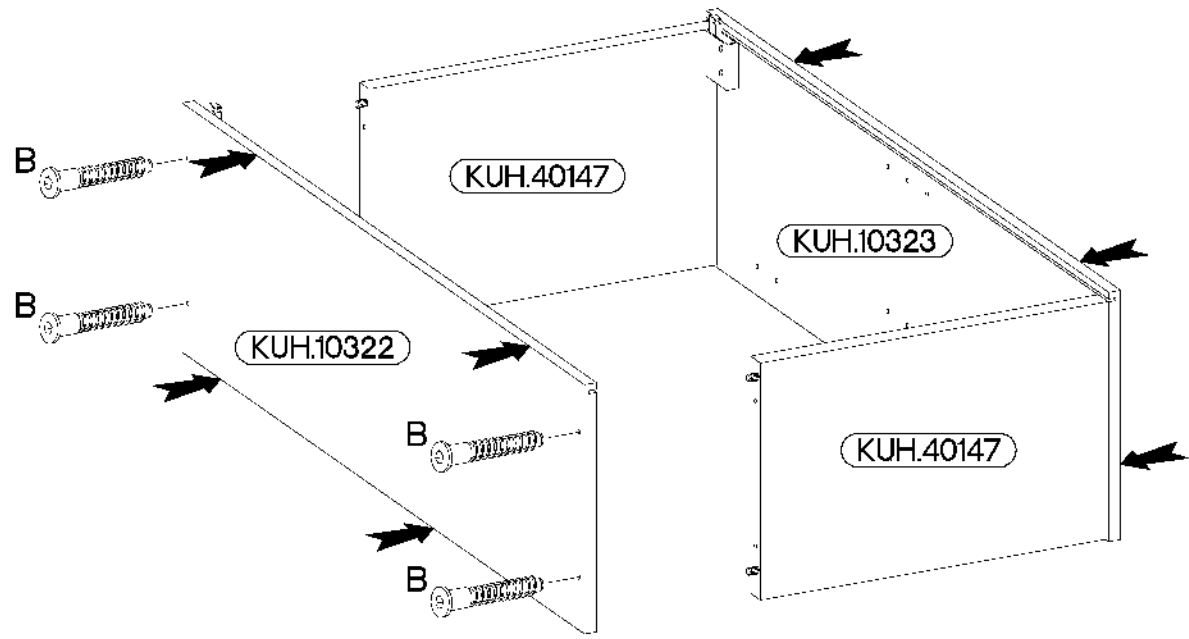


4

E1



3

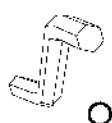


6,4 x 50mm



4

B



1

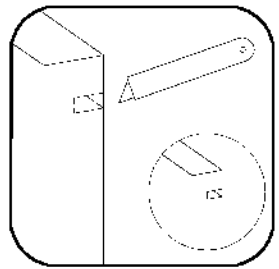
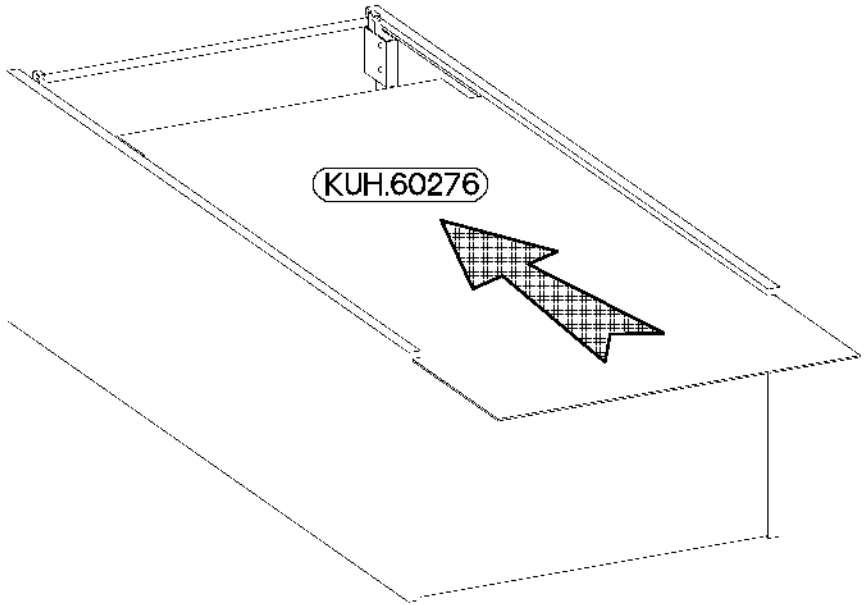
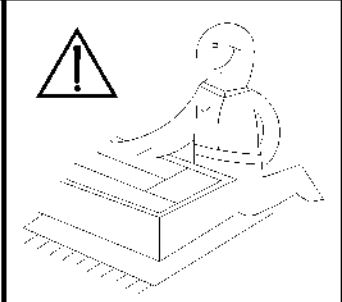
O



4

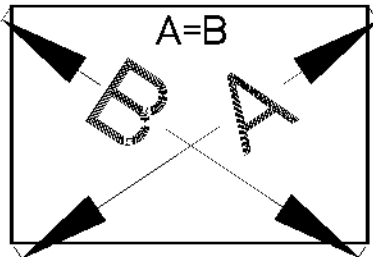
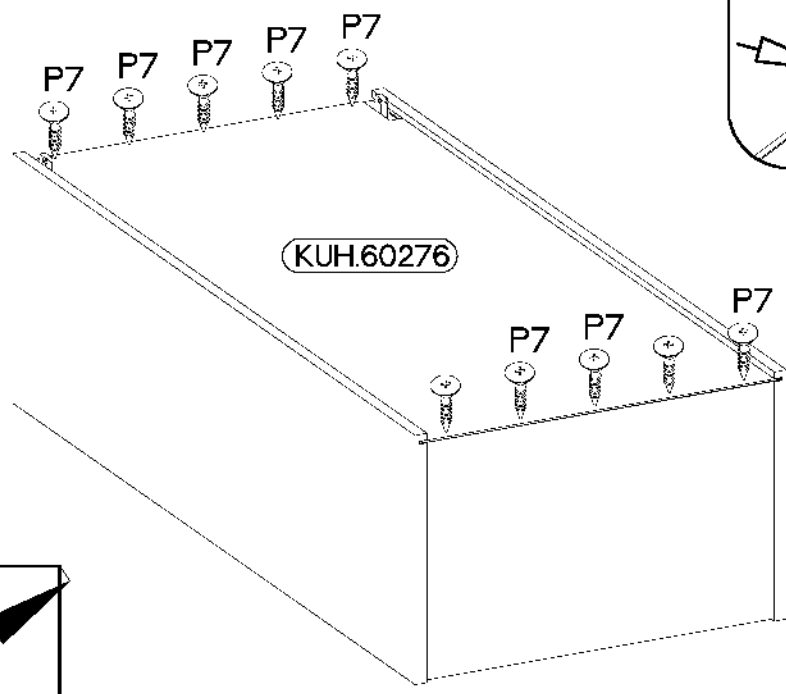
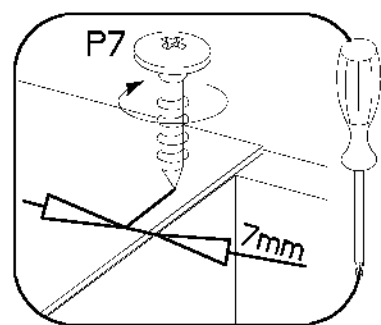
E1

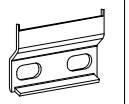
4



5

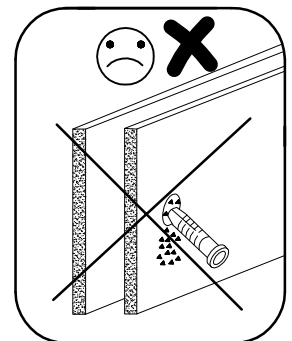
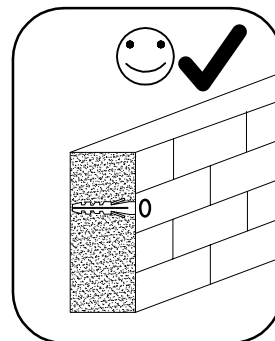
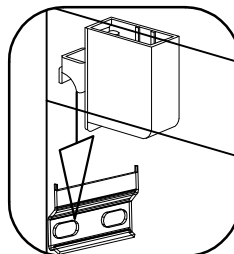
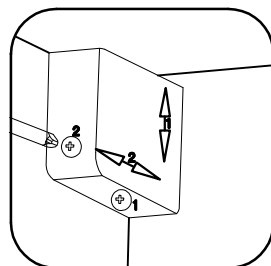
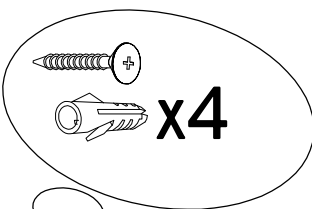
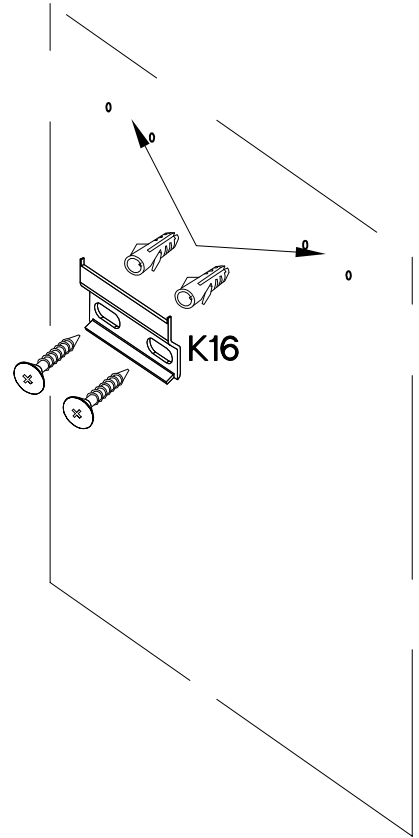
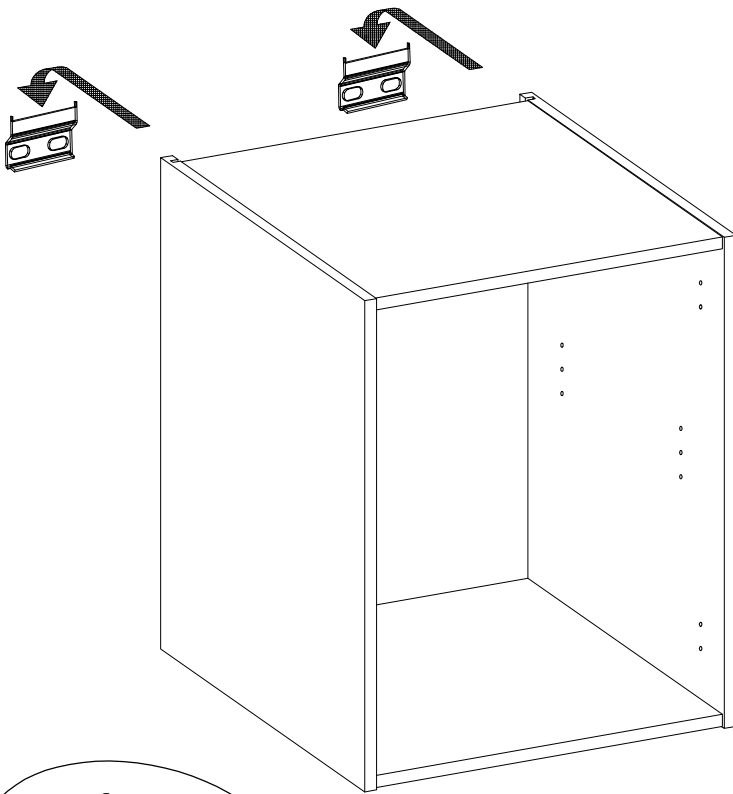
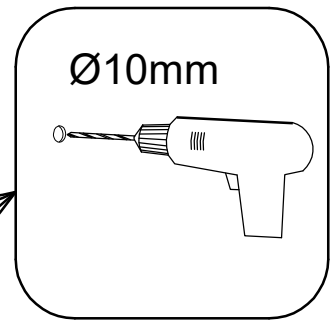
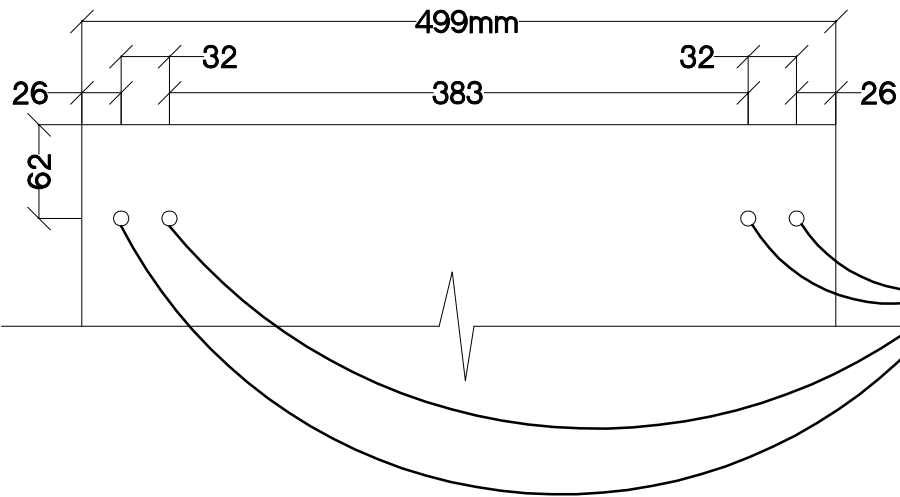
±3.0x20mm
P7
8-10





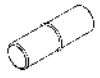
K16

2



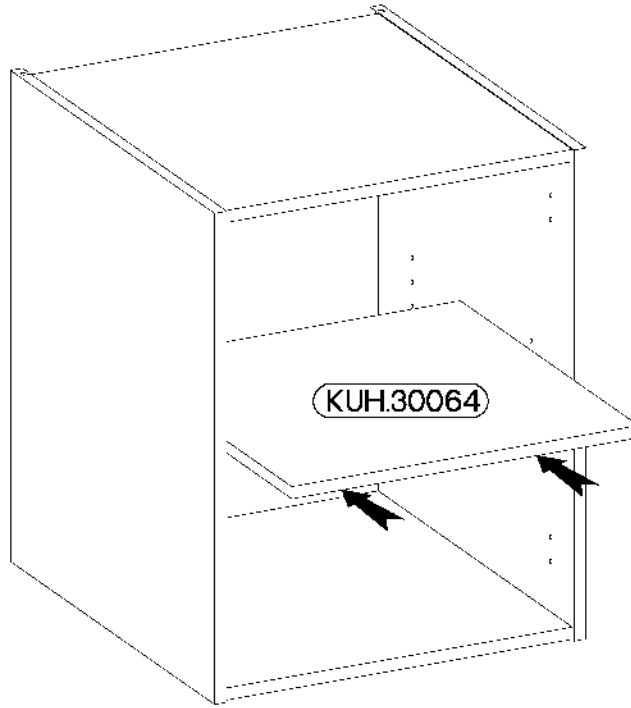
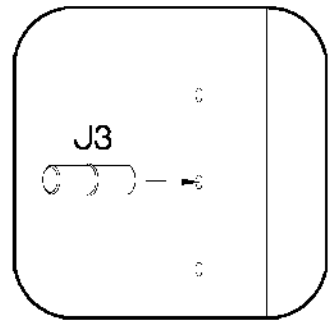


±5/16mm



J3

4



8

±35/0mm

±3.5x13mm



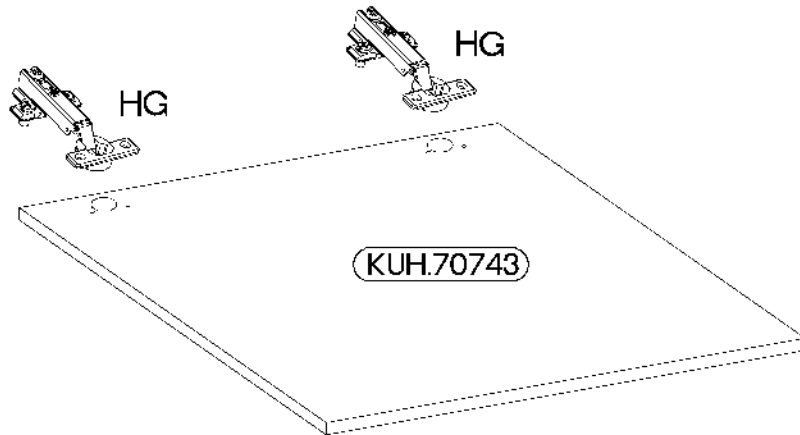
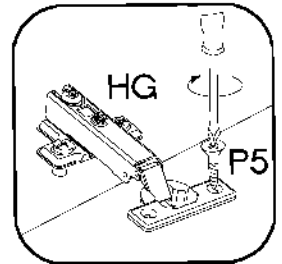
HG



2

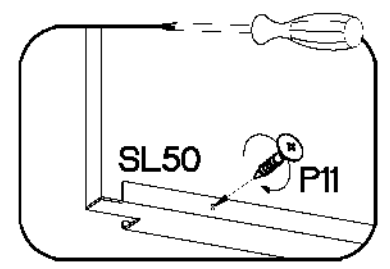
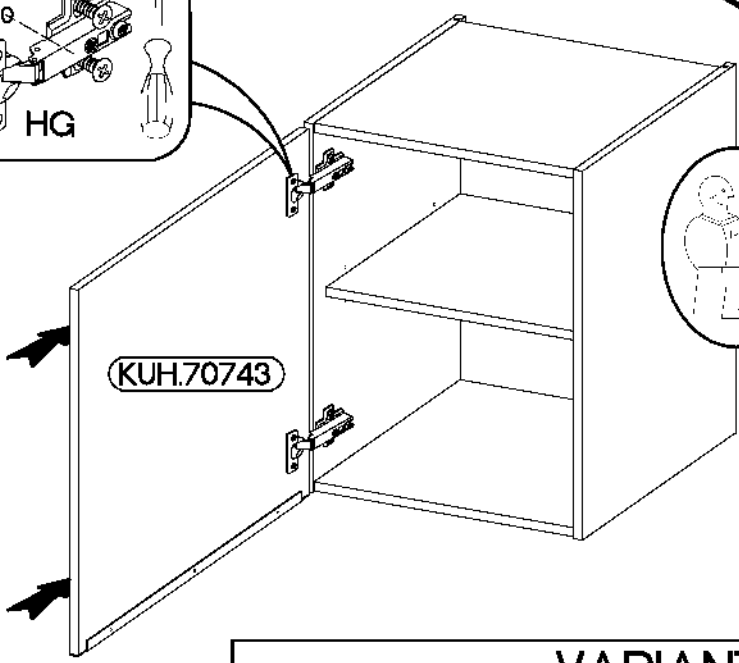
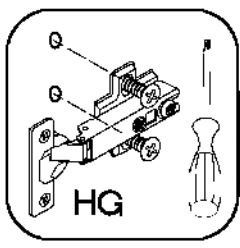
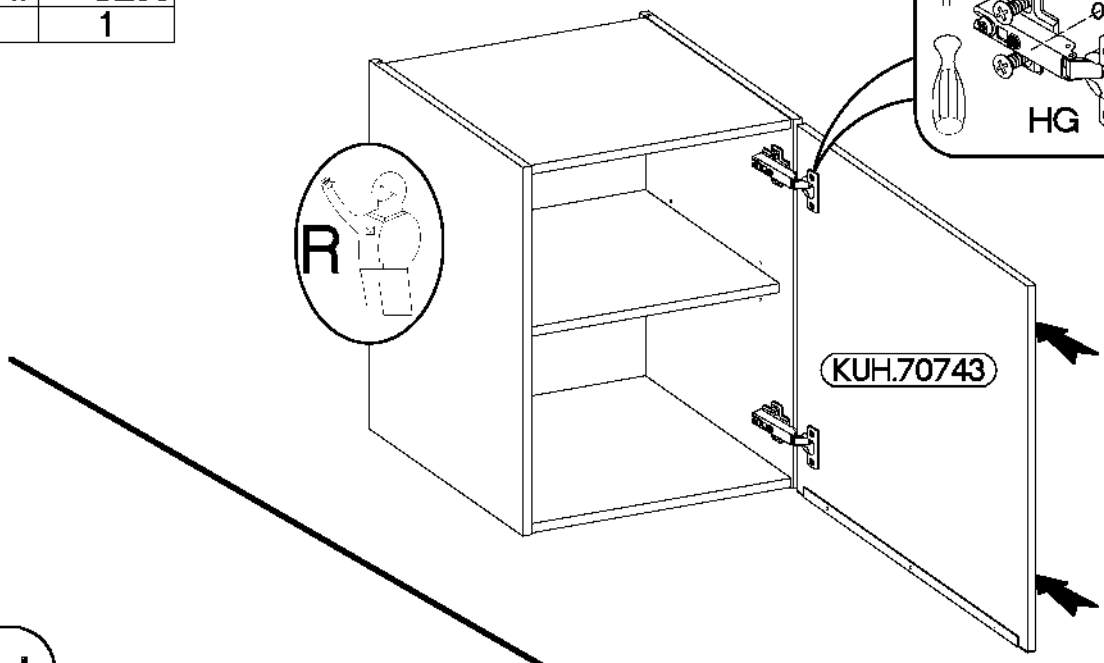
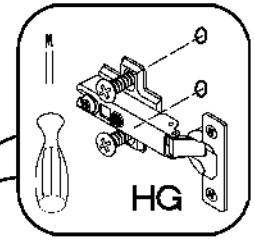


P5

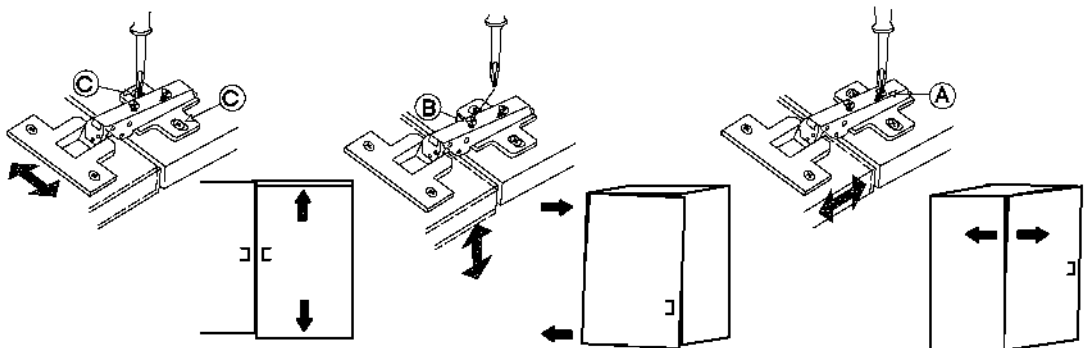
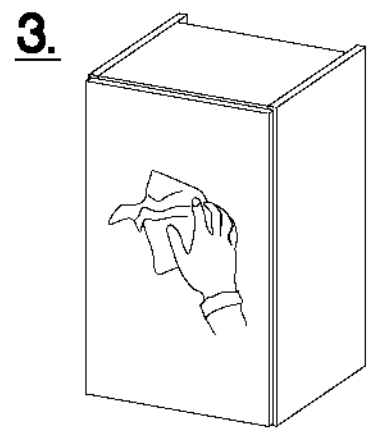
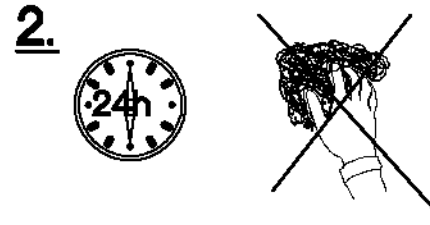
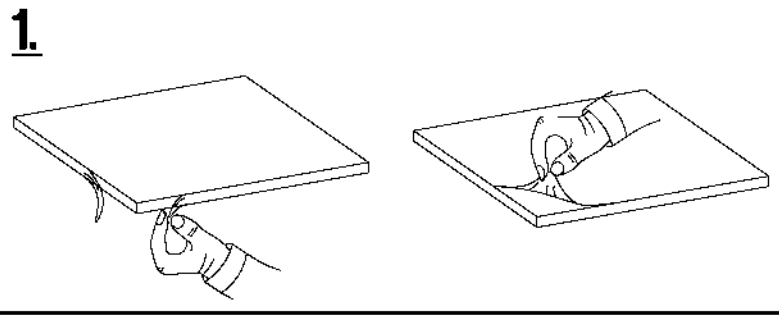
4

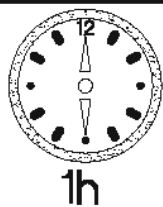
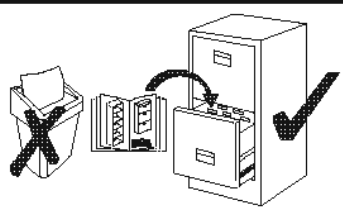
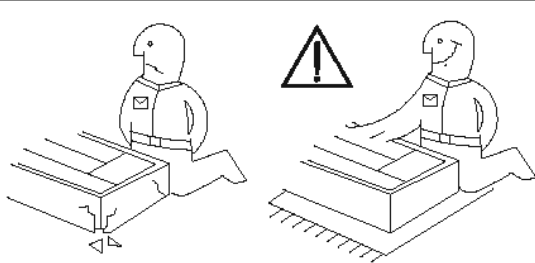
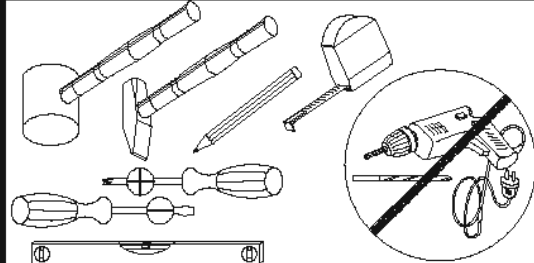
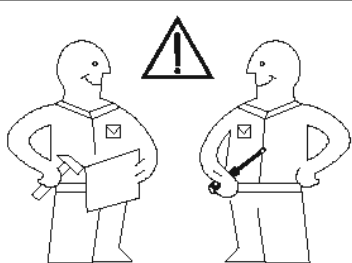


∅3.0x16mm	L=495mm
 P11	 SL50
3	1



VARIANT HIGH GLOSS



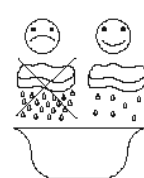


SAFADO / MARLEEN

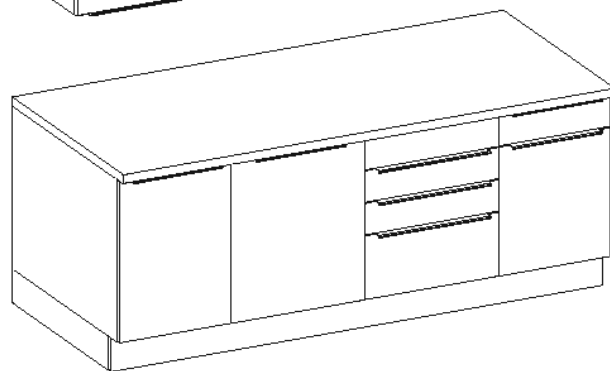
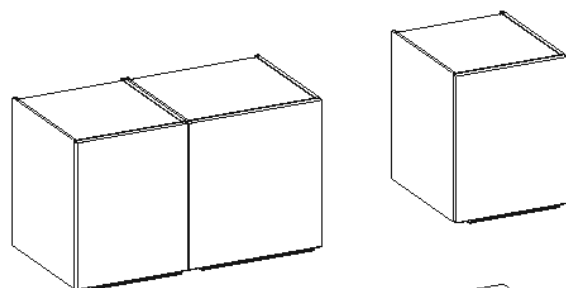
84-170-...

84-176-...

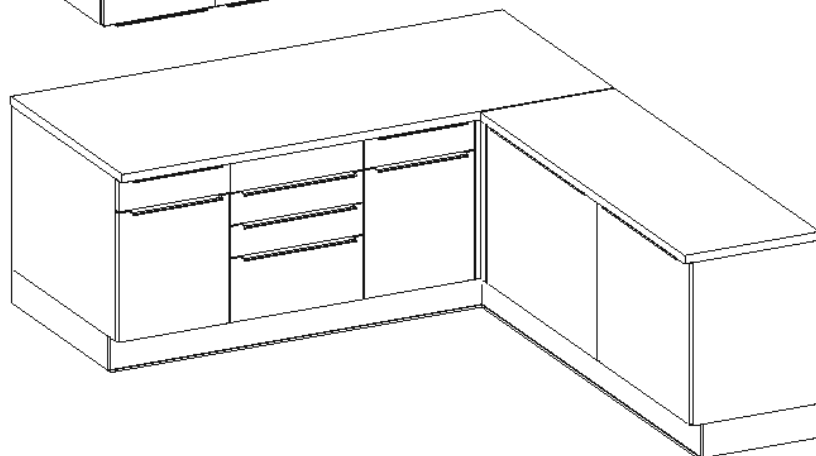
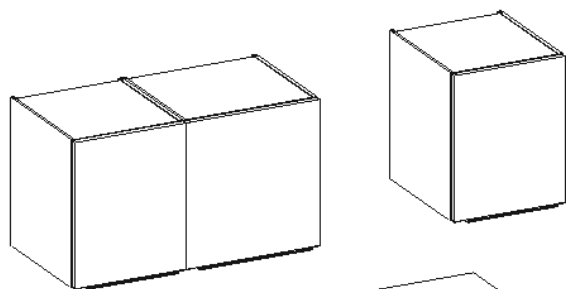
84-17F-...



respekta®



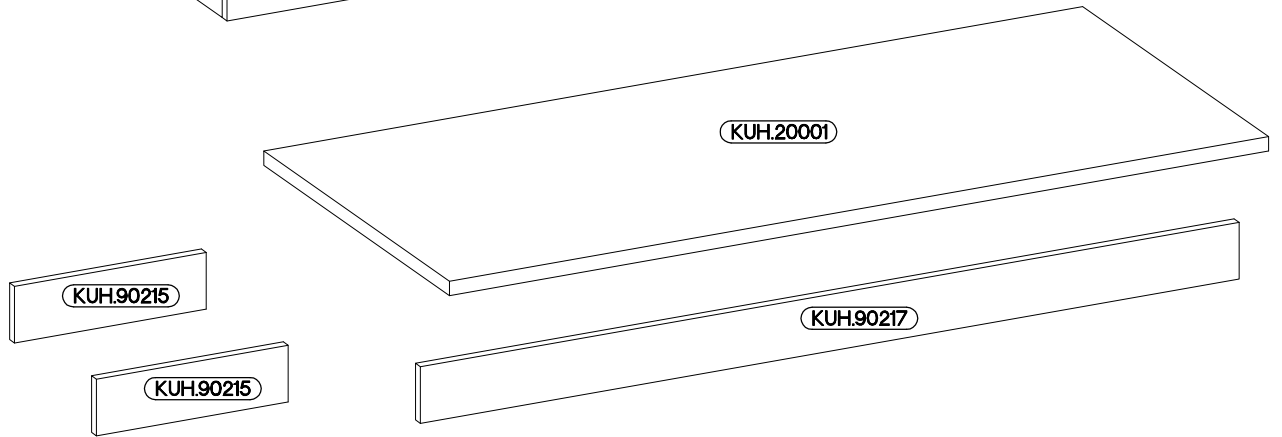
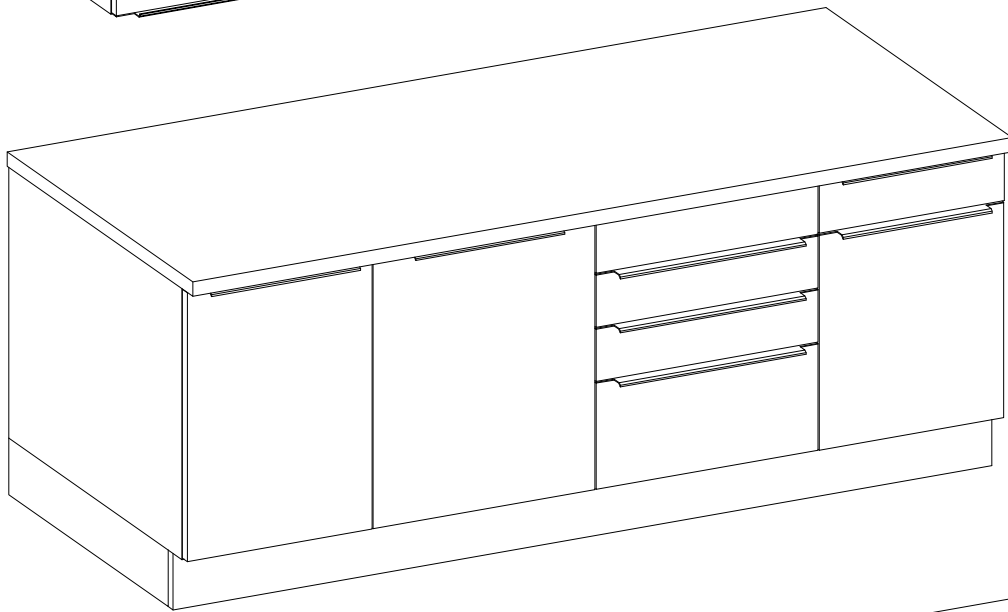
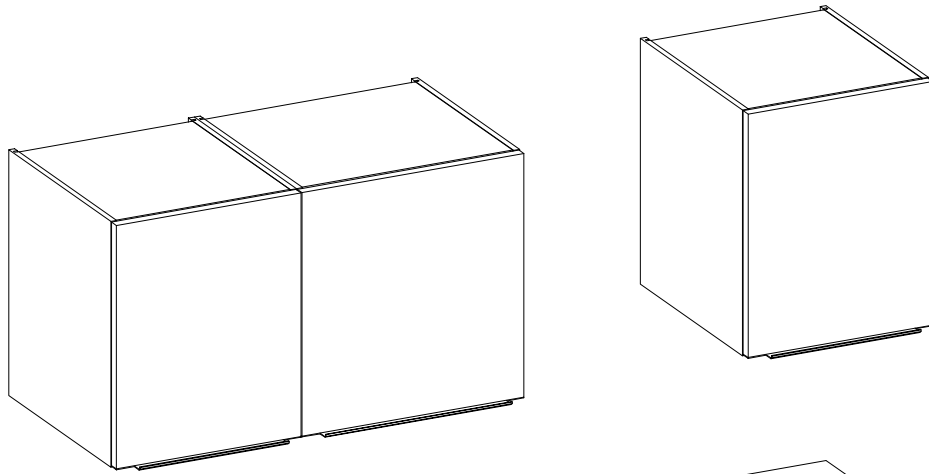
VARIANT 1



VARIANT 2

ISM-KUH-01597

VARIANT 1



Colli	Spare Part	Dimension
Colli 6/6	KUH.20001	2200x600x38
	KUH.90215 x2	515x150x16
	KUH.90217	2199x150x16

±3.5x13mm



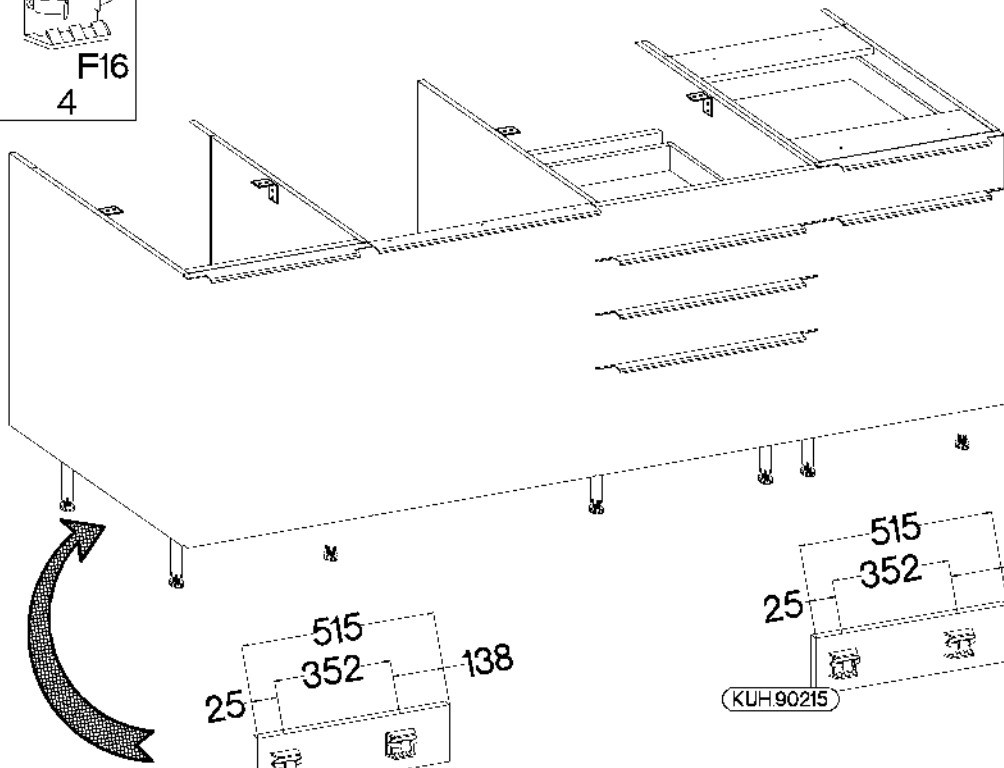
P5

8



F16

4

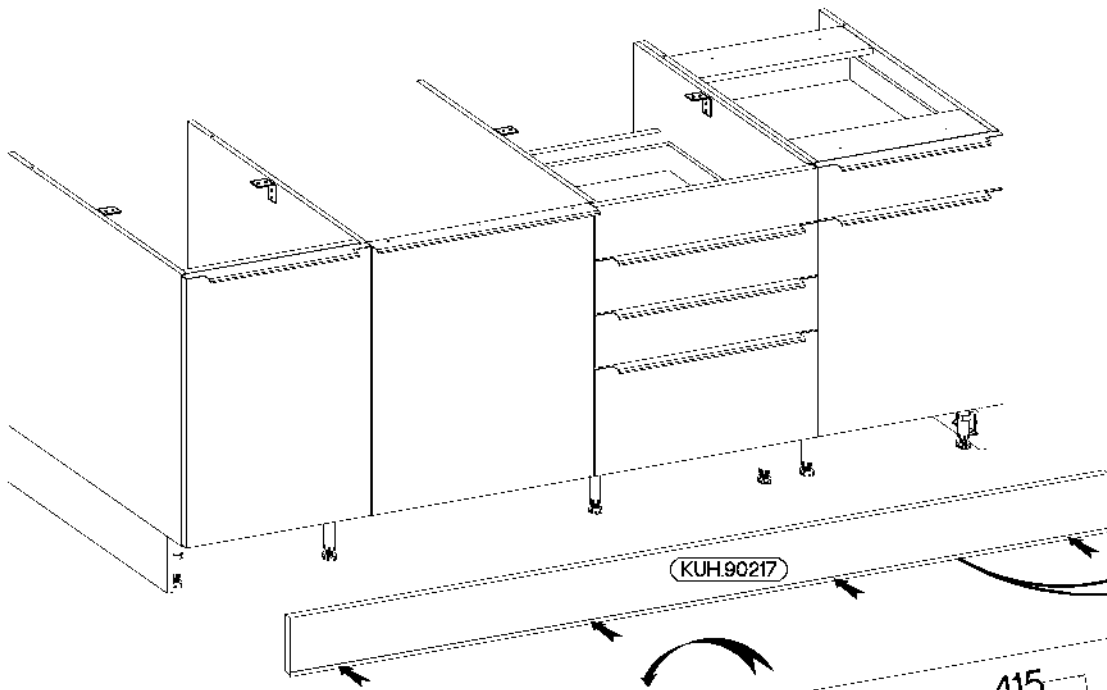


KUH.90215

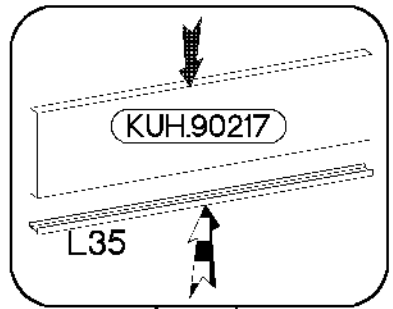
KUH.90215

2

1. F16
2. F16 P5
3. F16
4. F16

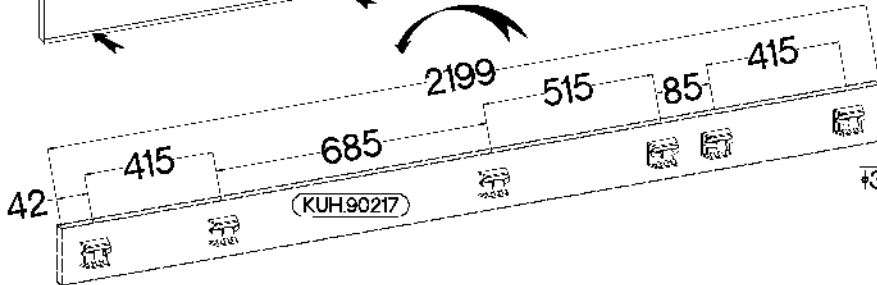


KUH.90217



KUH.90217

L35



±3.5x13mm



P5

12



F16

6



L=2200mm

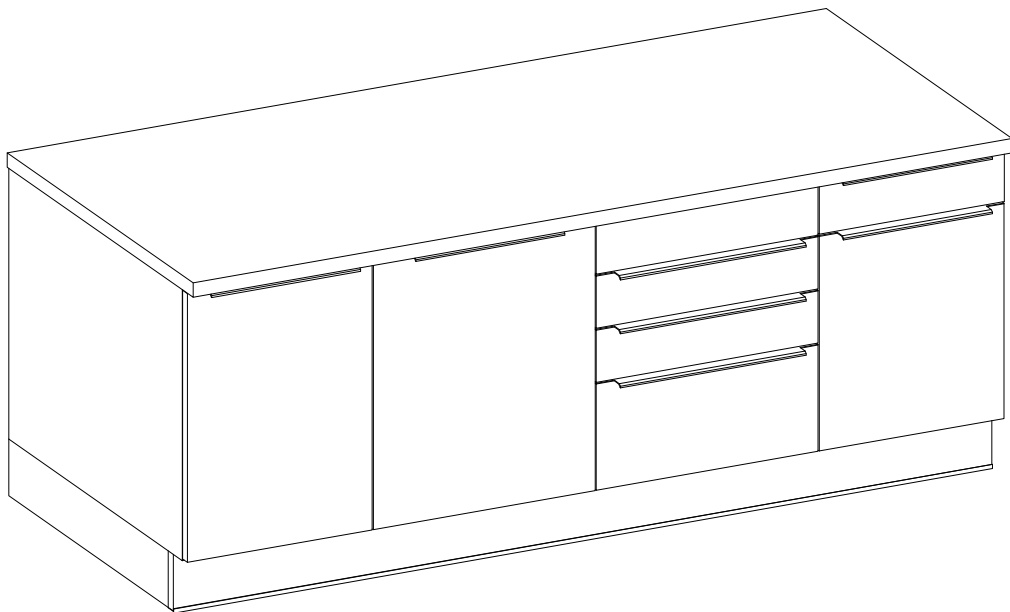
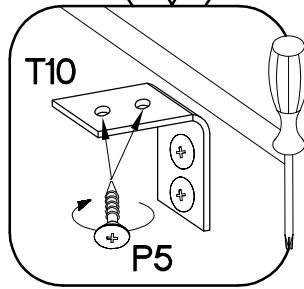
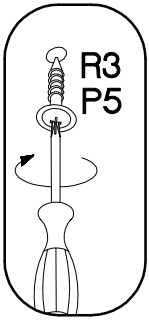
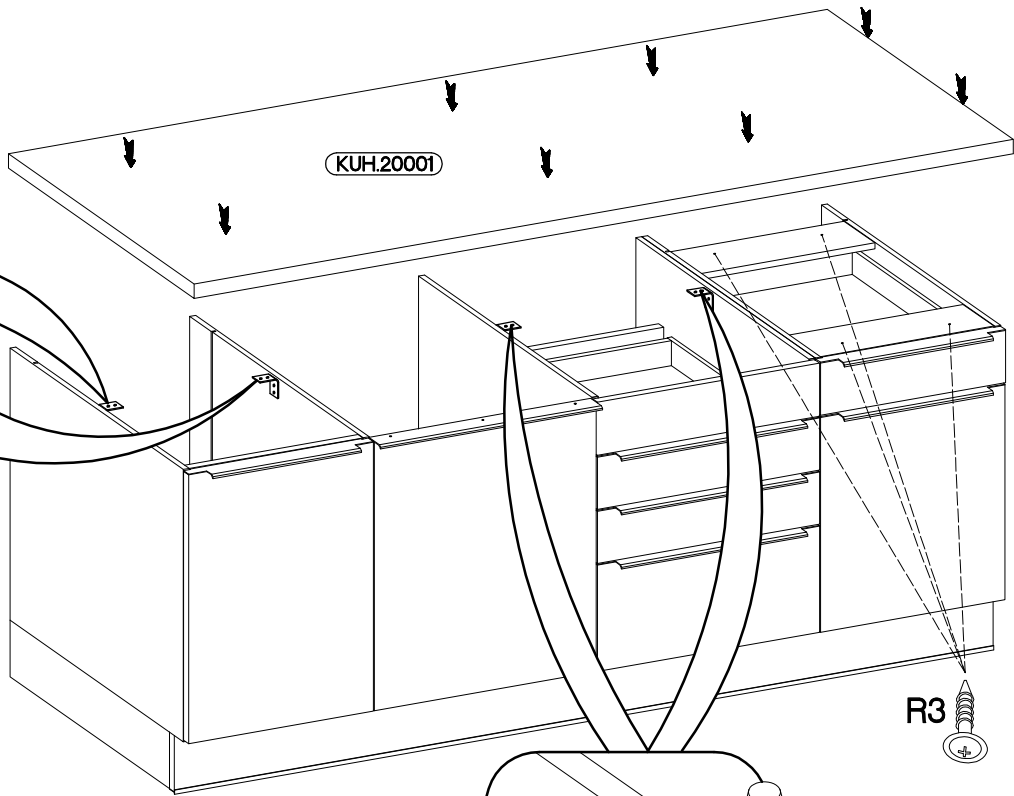
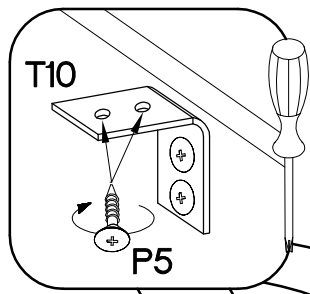



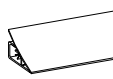
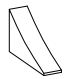
L35

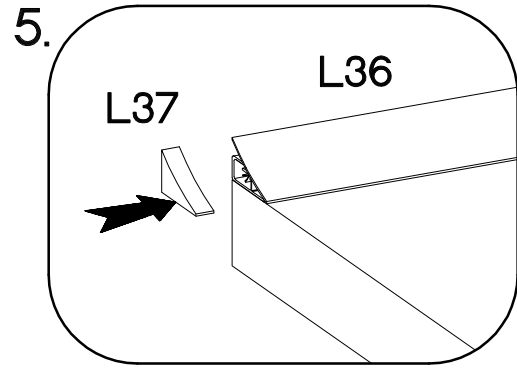
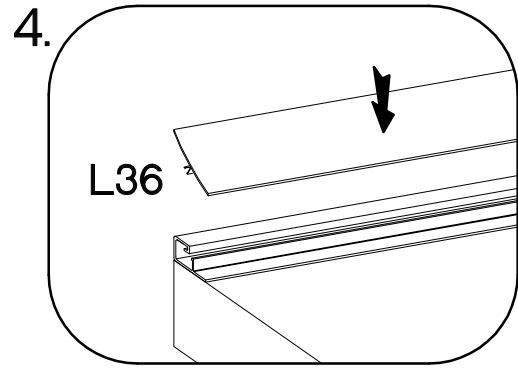
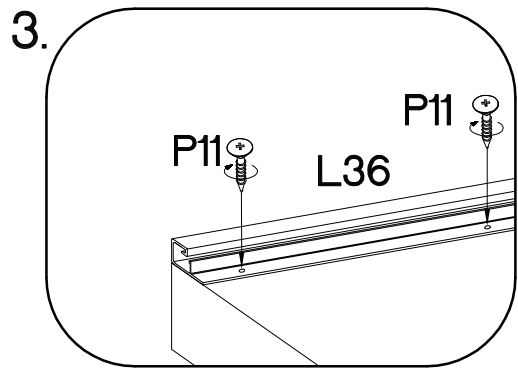
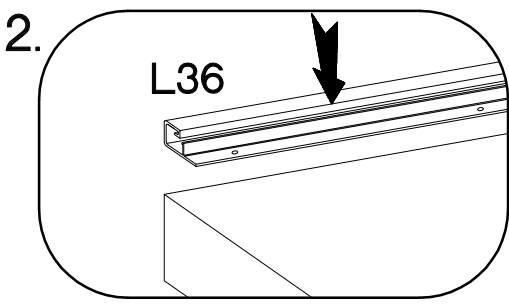
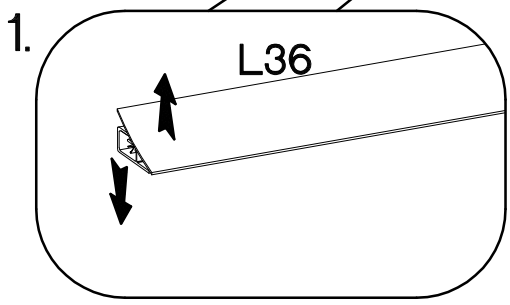
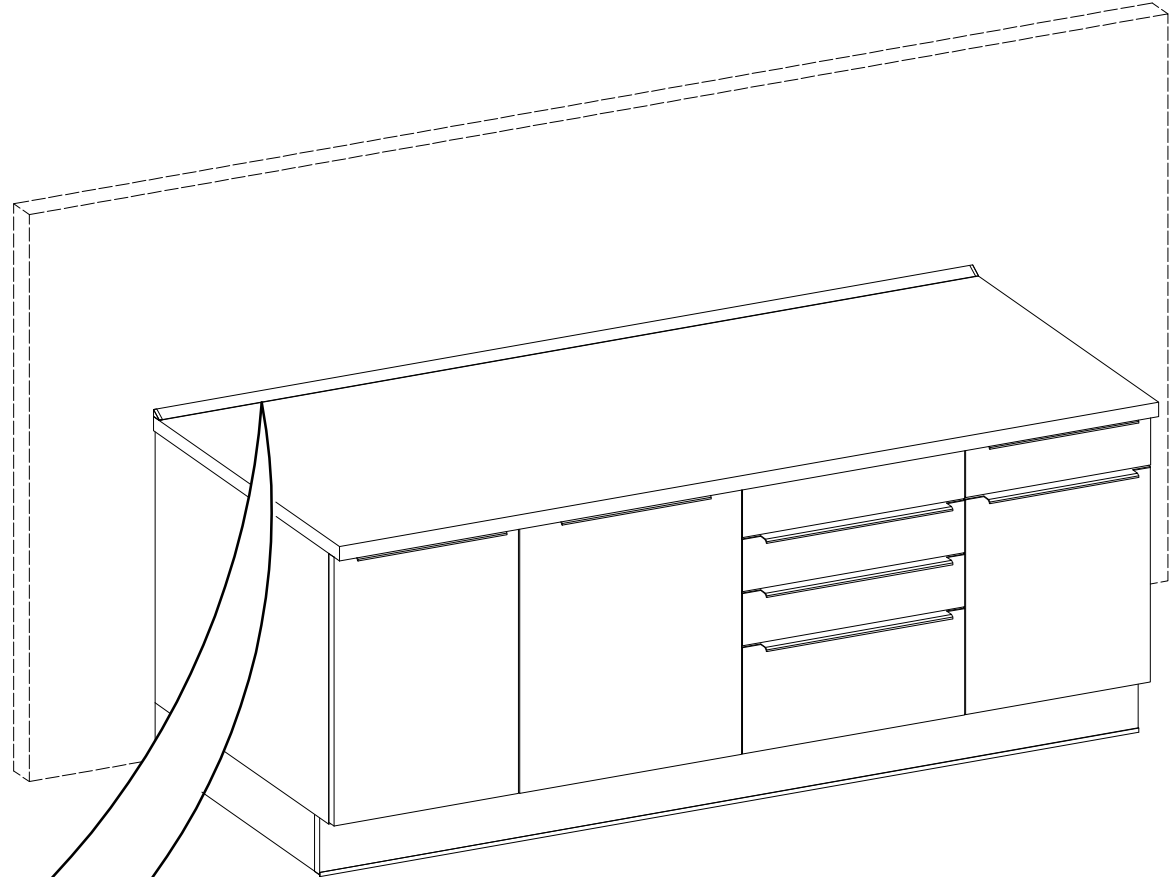
1

3

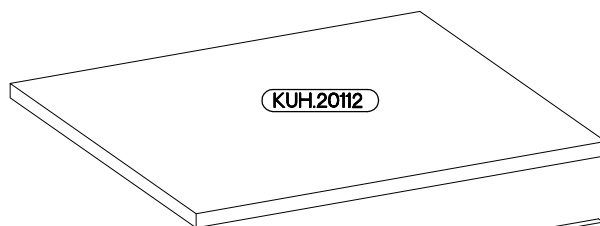
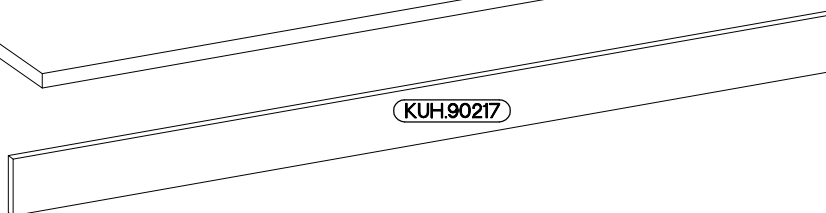
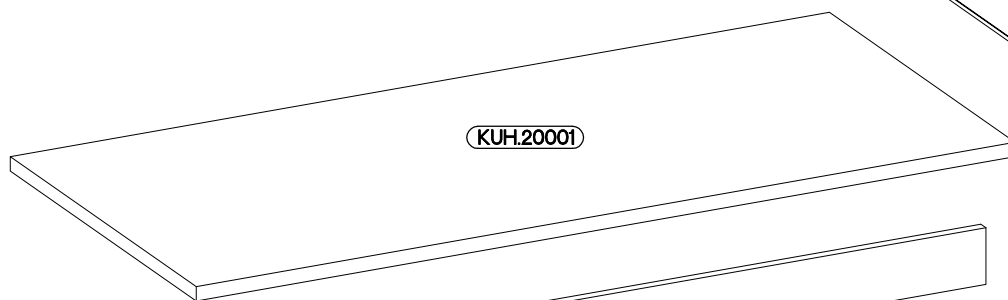
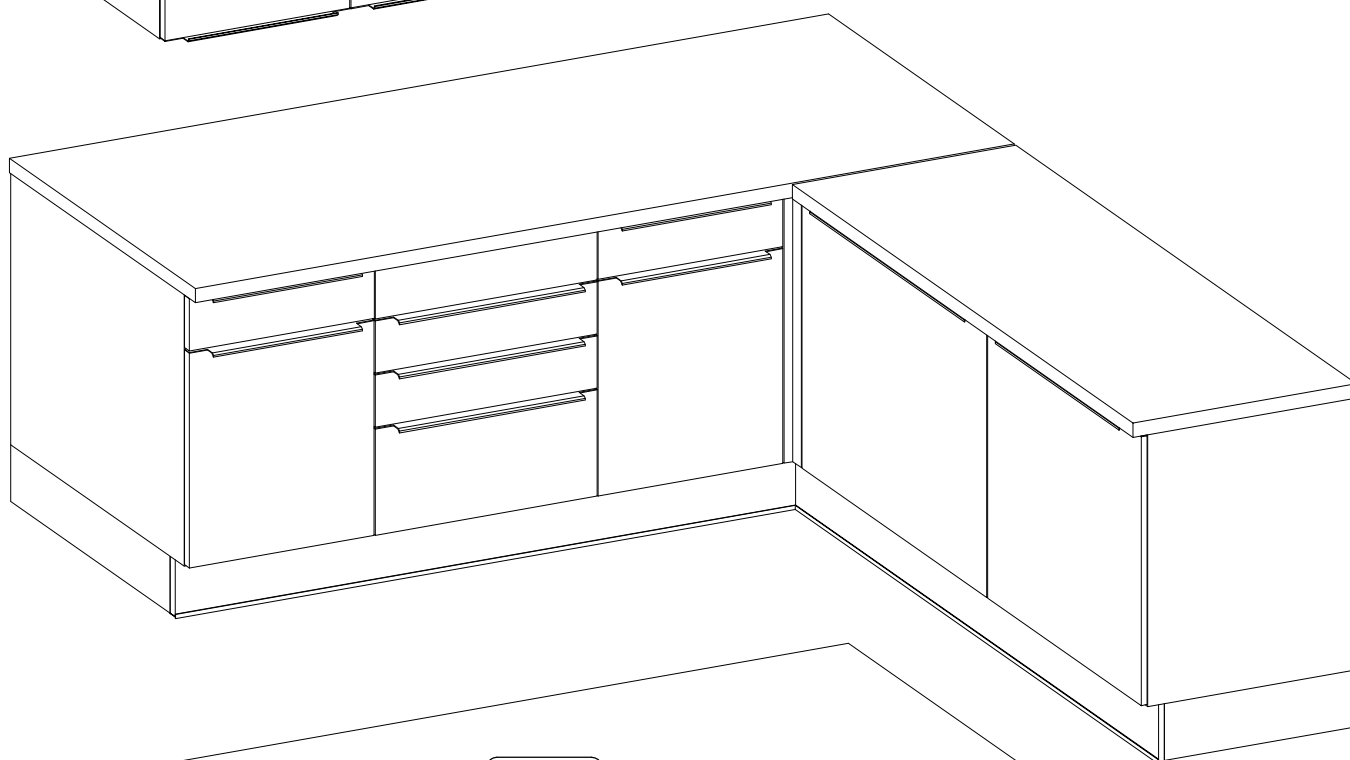
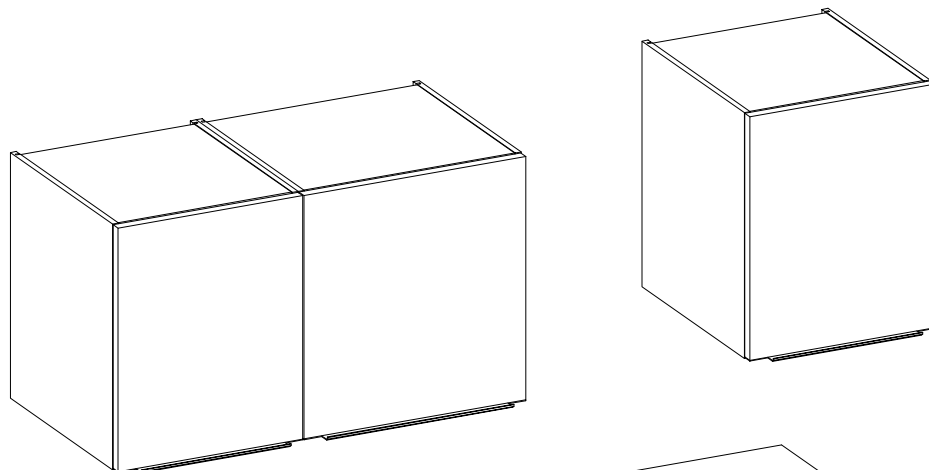
4.0x35mm	3.5x13mm
	
R3	P5
4	8



$\phi 3.0 \times 16 \text{mm}$  P11 8	L=2200mm  L36 1	 L37 2
--	--	--

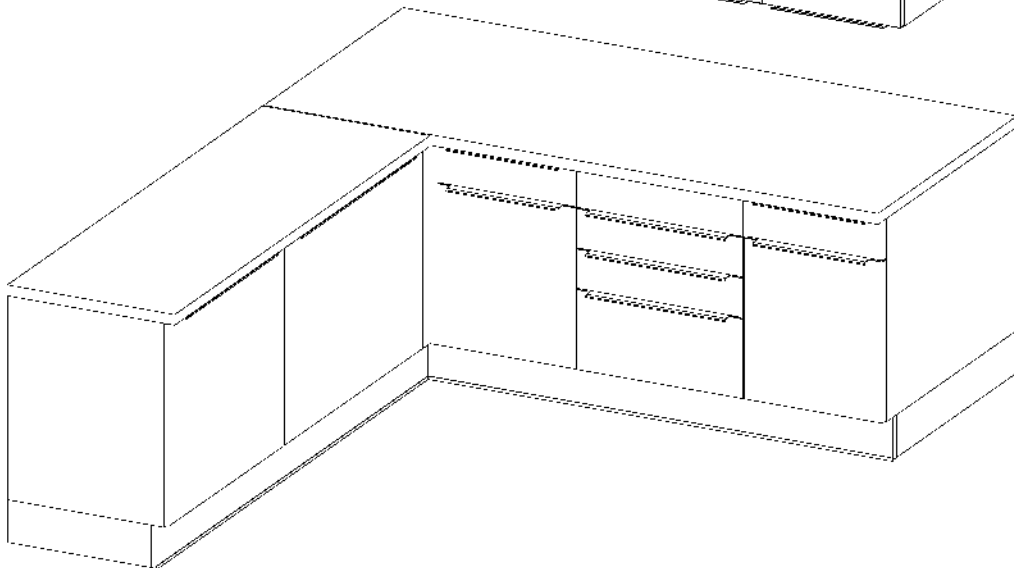
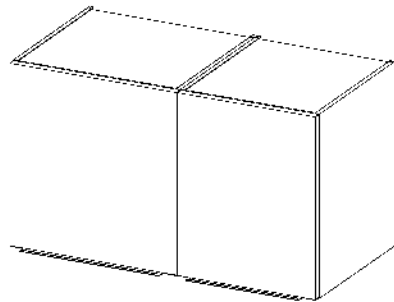
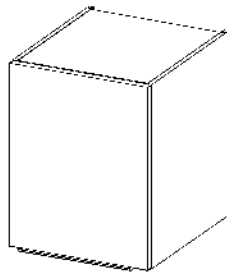
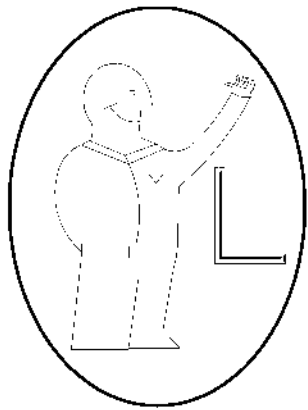
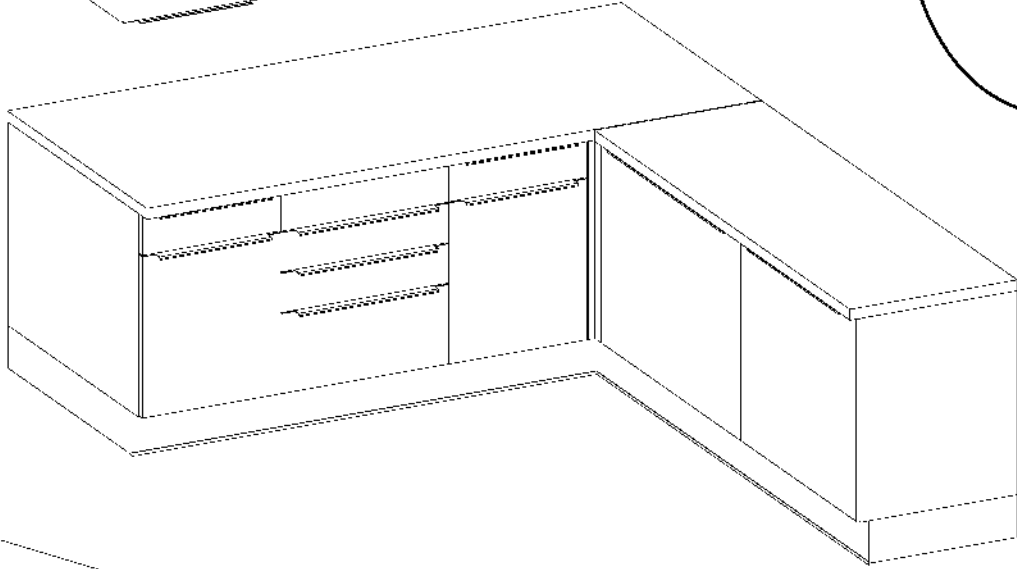
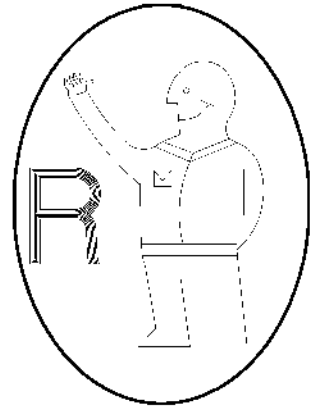
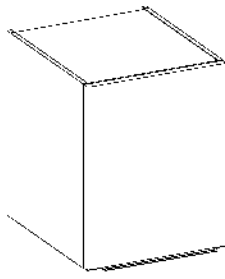
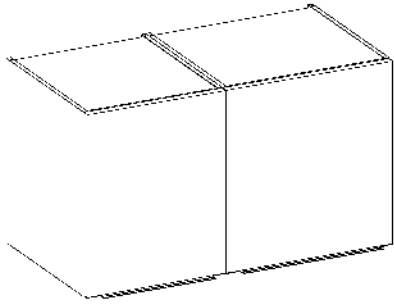


VARIANT 2



Colli	Spare Part	Dimension
Colli 2/2	KUH.20112	1100x600x38
	KUH.90258	1172x150x16

Colli	Spare Part	Dimension
Colli 6/6	KUH.20001	2200x600x38
	KUH.90215 x2	515x150x16
	KUH.90217	2199x150x16

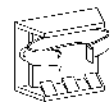


±3.5x13mm



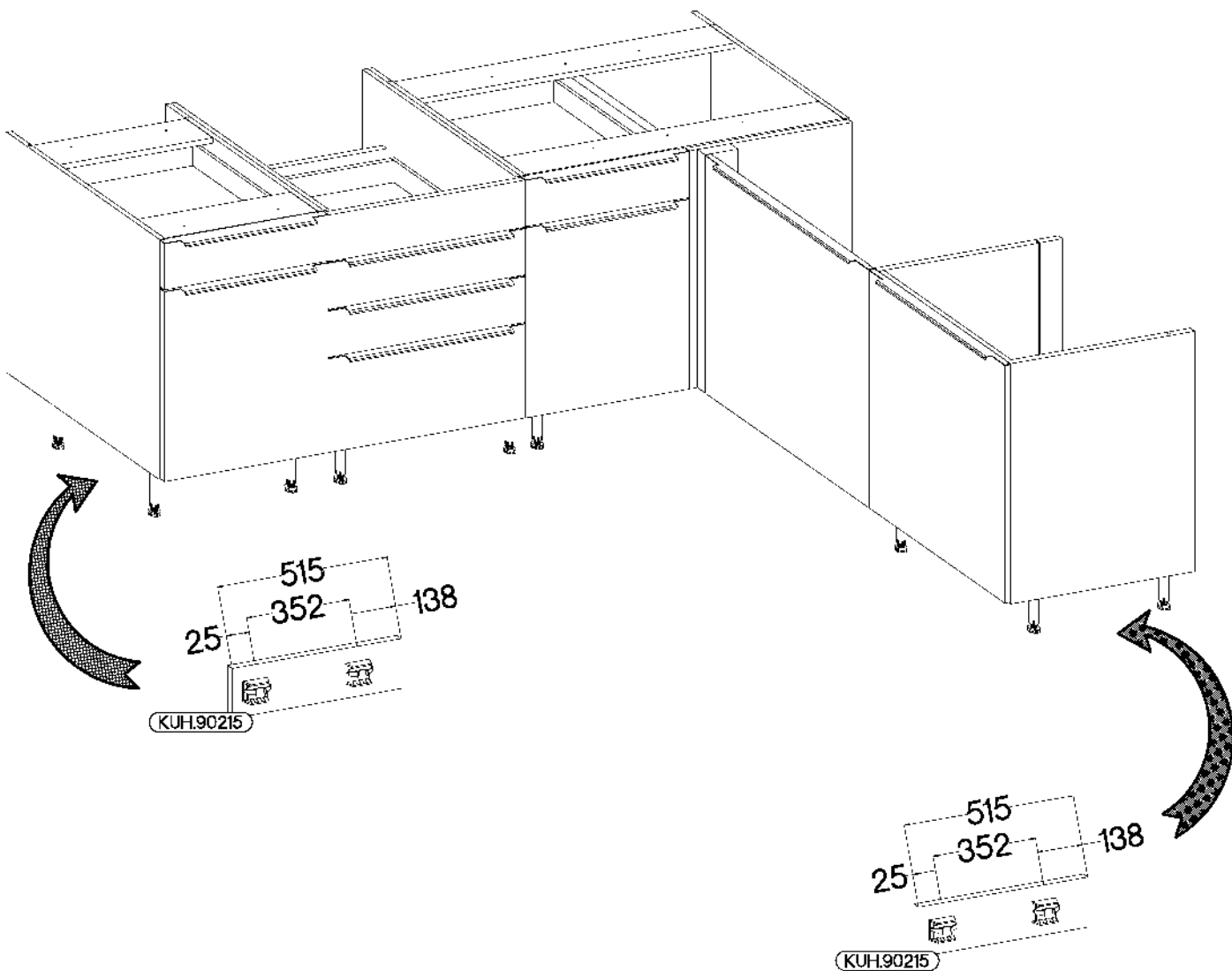
P5

8



F16

4



1. F16
2. F16 P5
3. F16
4. F16

3.5x13mm

L=2200mm



P5

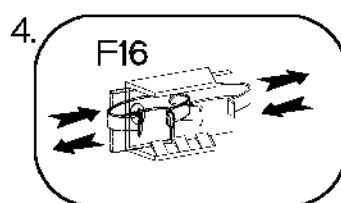
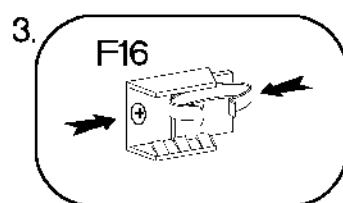
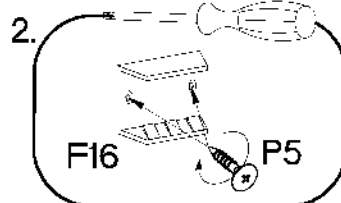
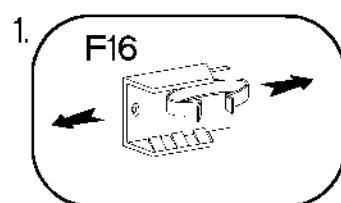
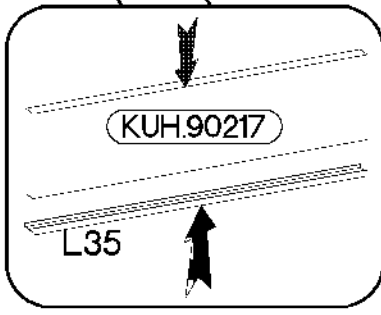
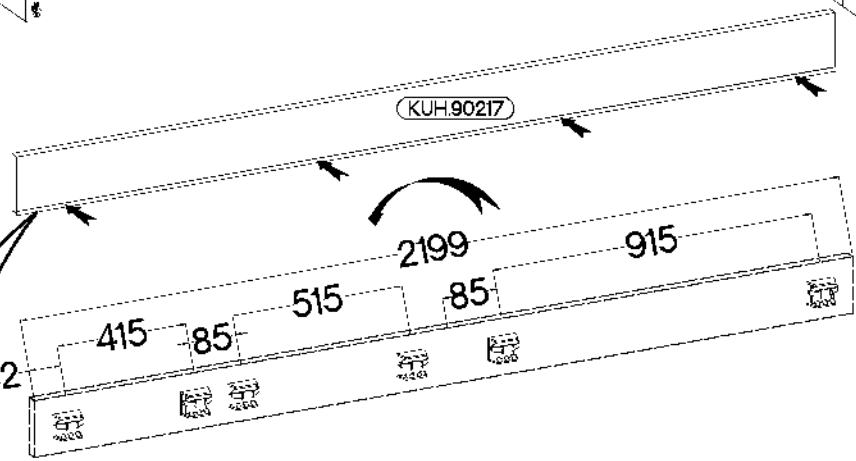
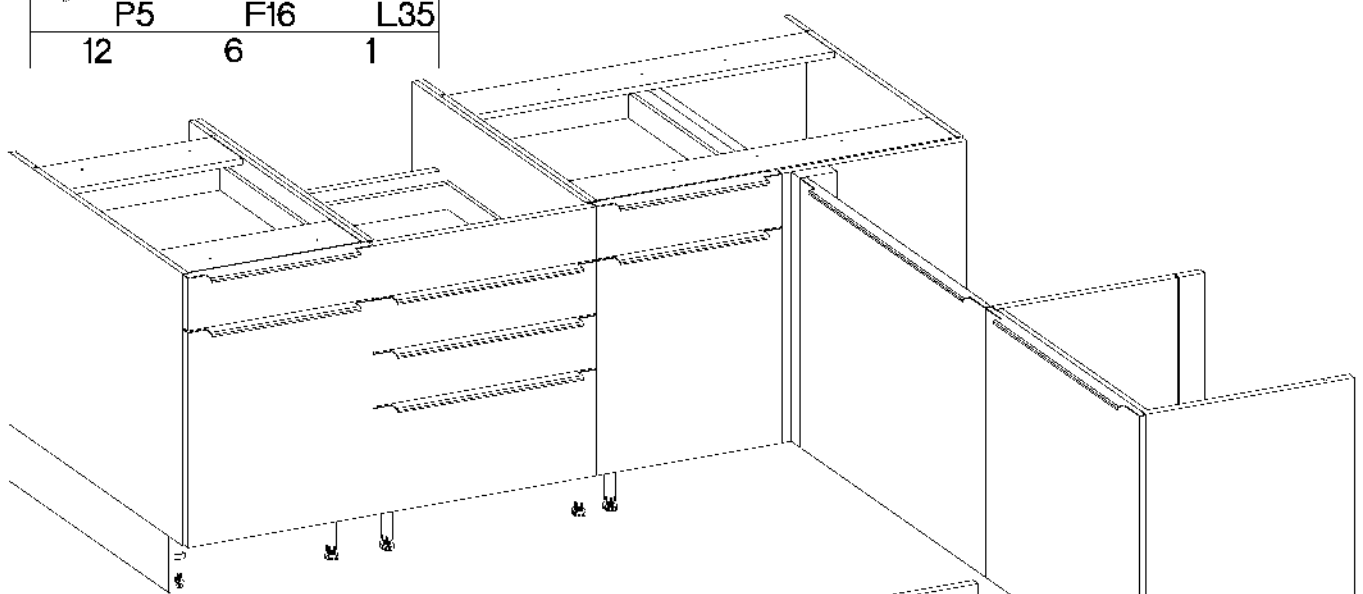
F16

L35




12

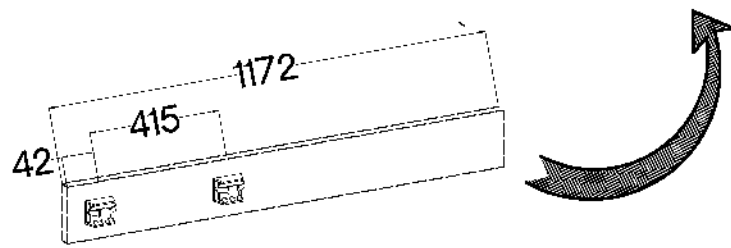
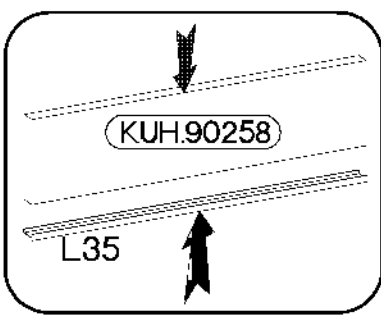
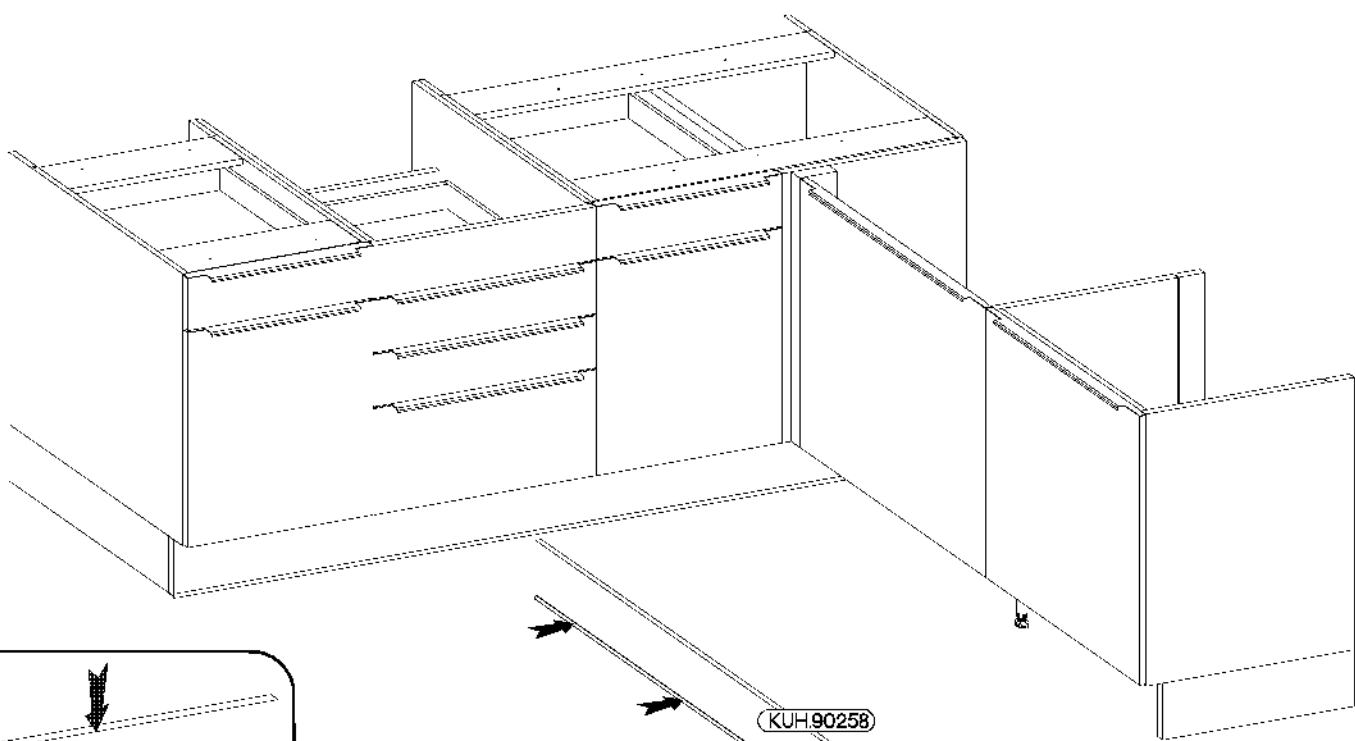
6

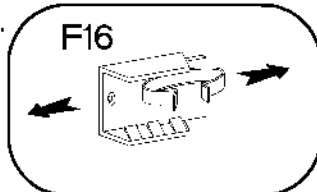
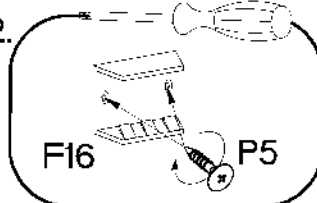
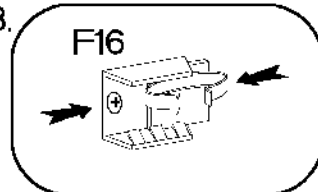
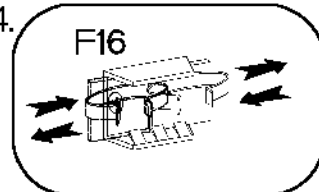
1





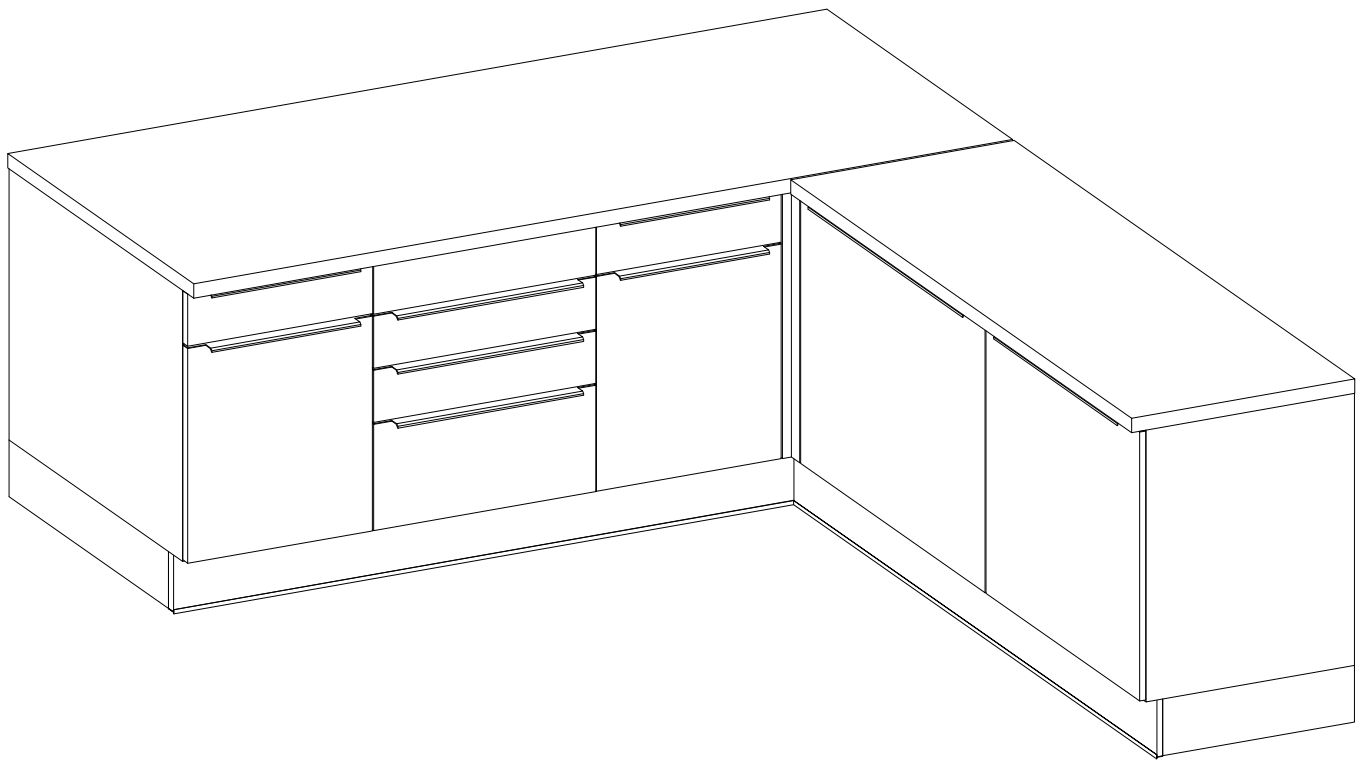
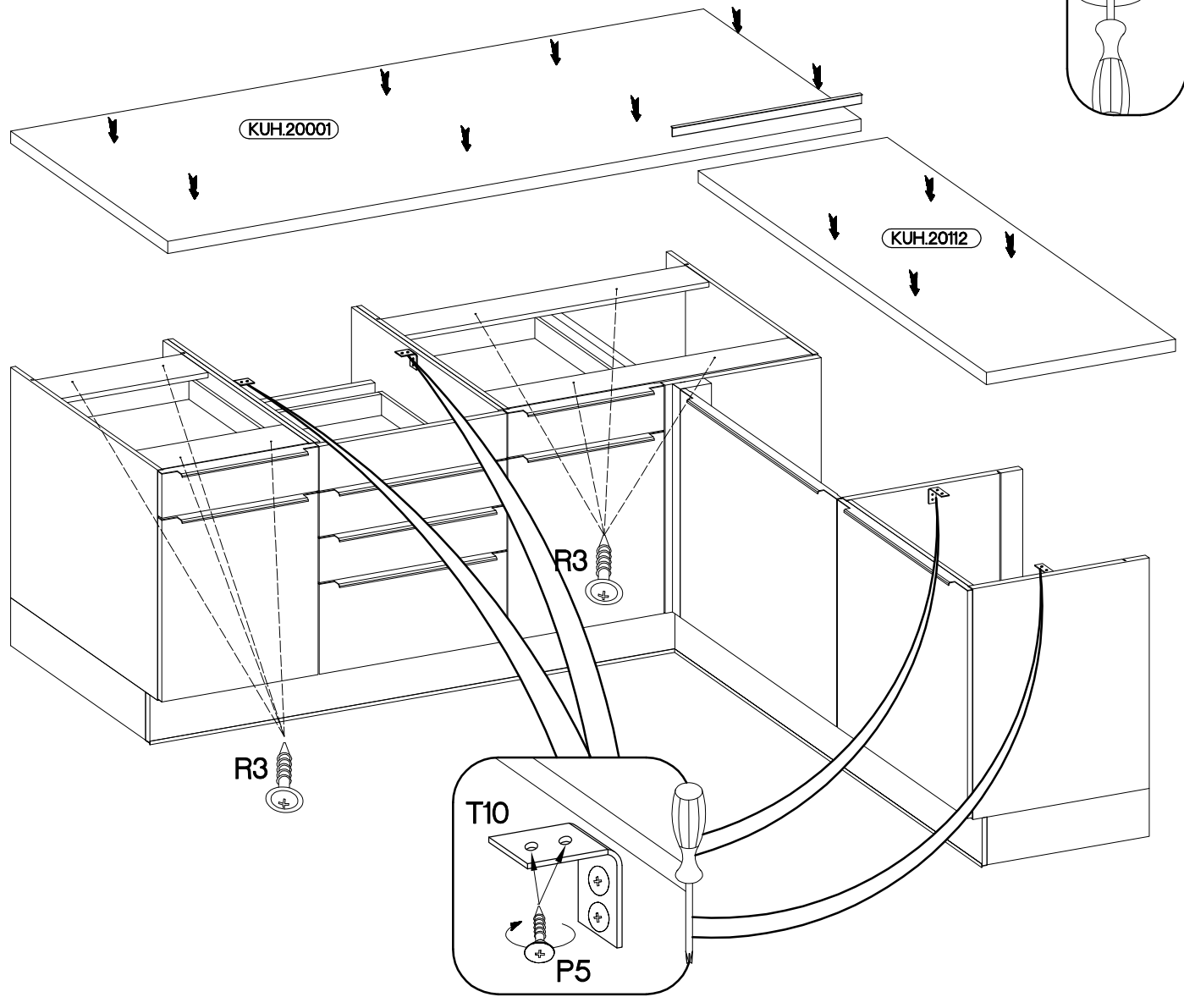
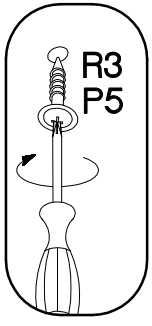
7

#3.5x13mm		L=1172mm	
			
P5	F16	L35	
4	2	1	



- 
- 
- 
- 

4.0x35mm	3.5x13mm
	
R3	P5
8	8



φ3.0x16mm

L=2200mm



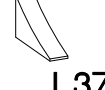
P11

14



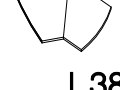
L36

2



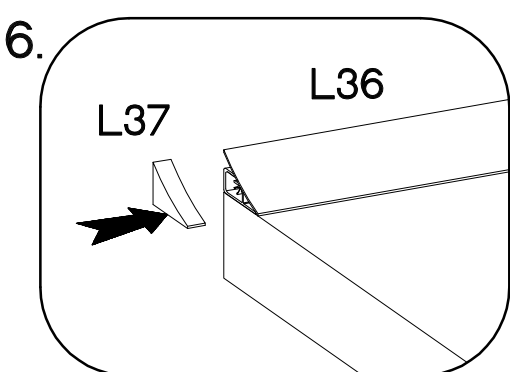
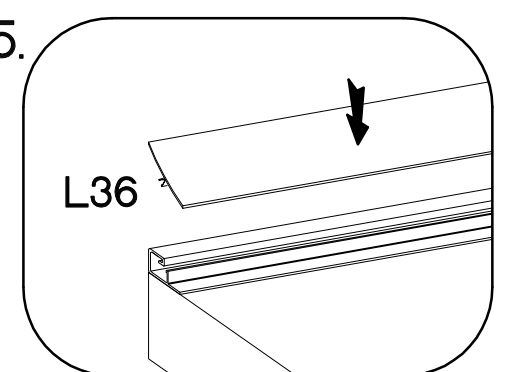
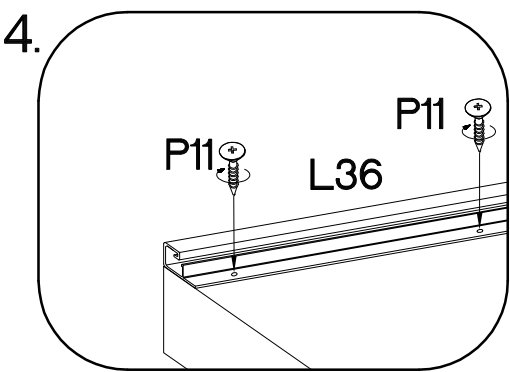
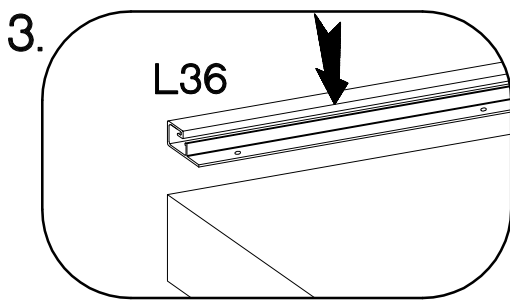
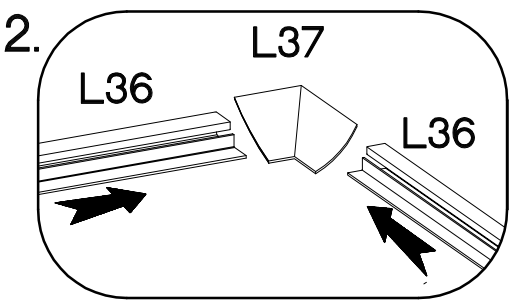
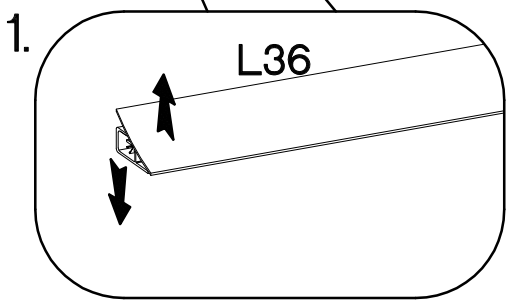
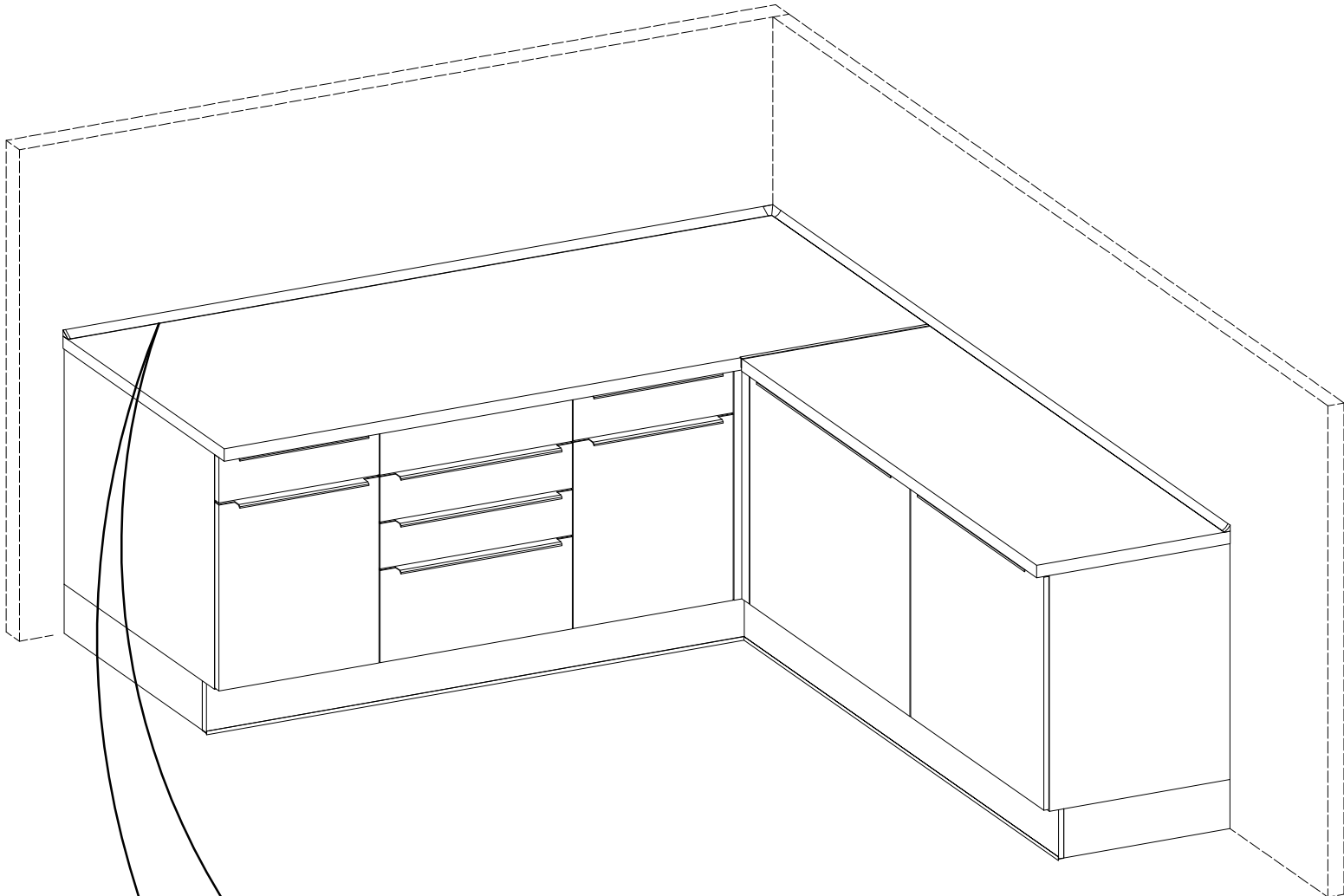
L37

2



L38

1

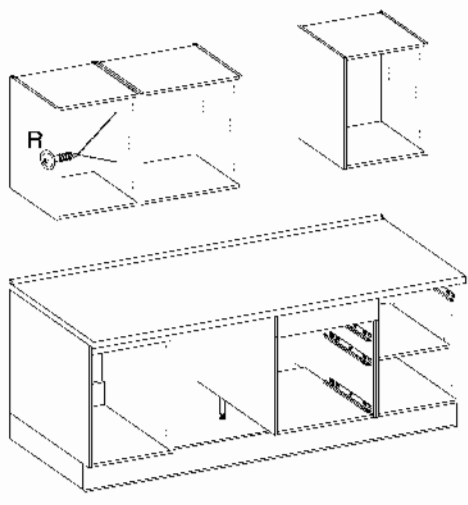


10

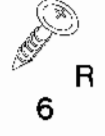
4.0x25mm



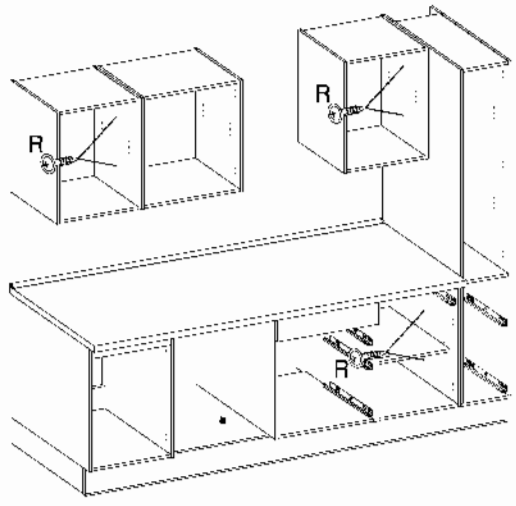
V 1



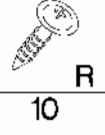
4.0x25mm



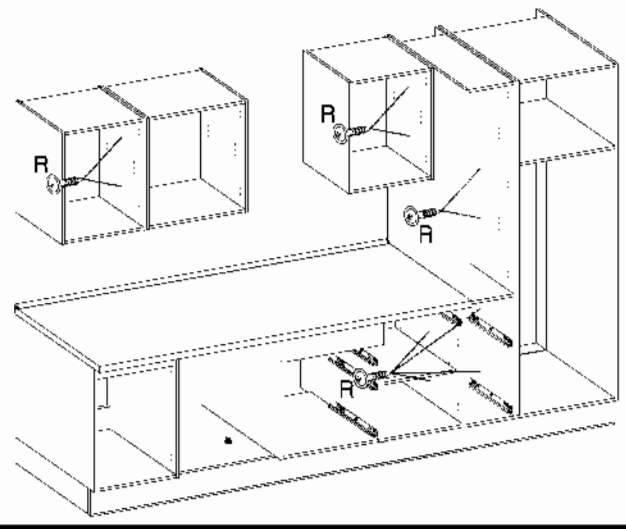
V 2



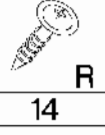
4.0x25mm



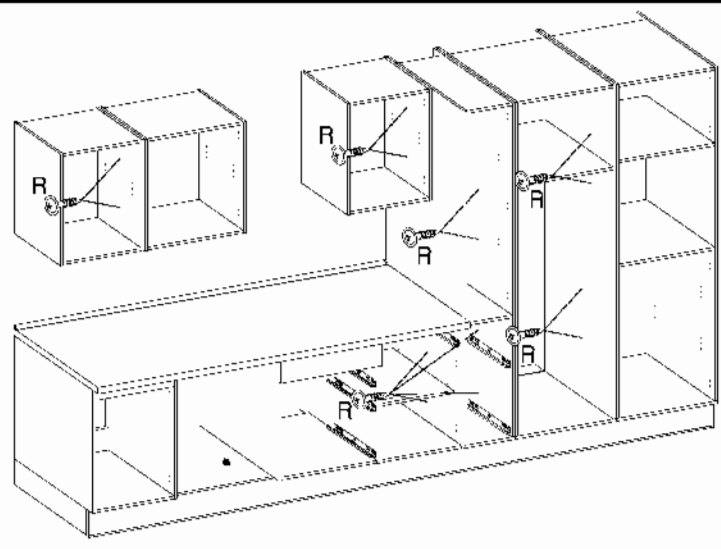
V 3

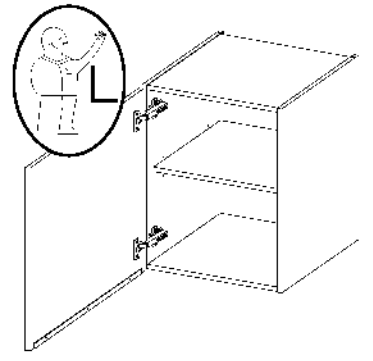
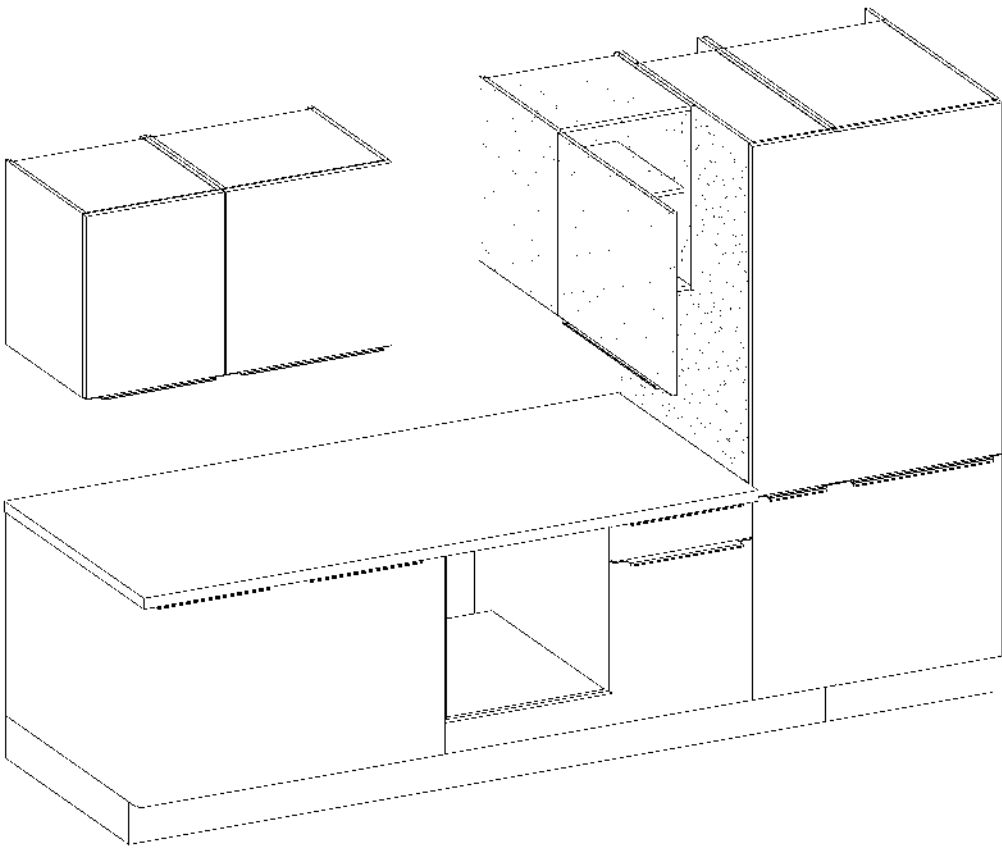
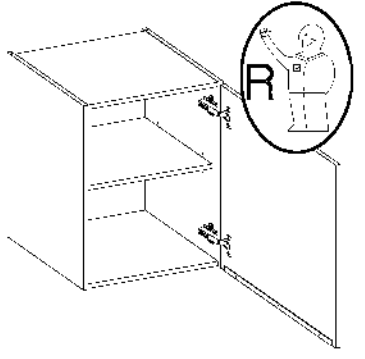
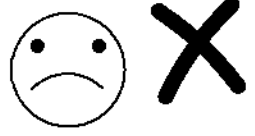
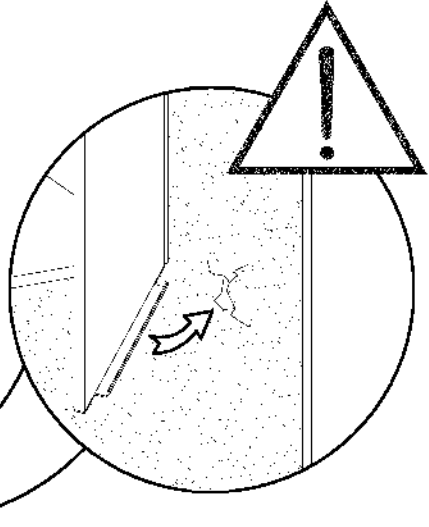
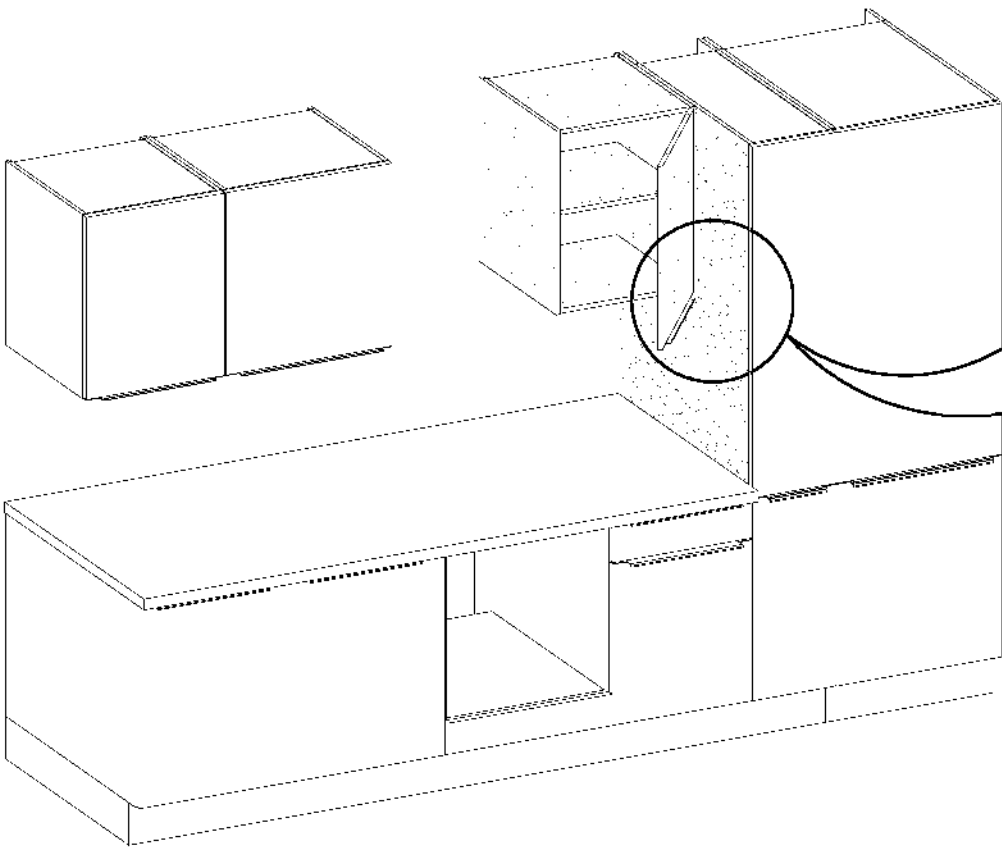


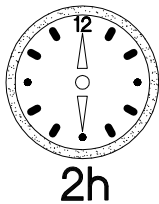
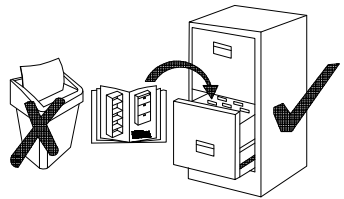
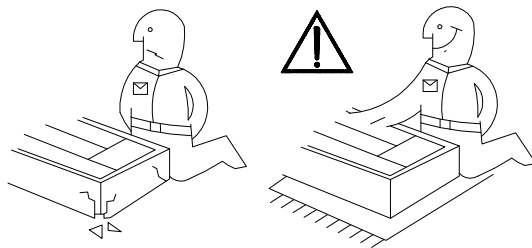
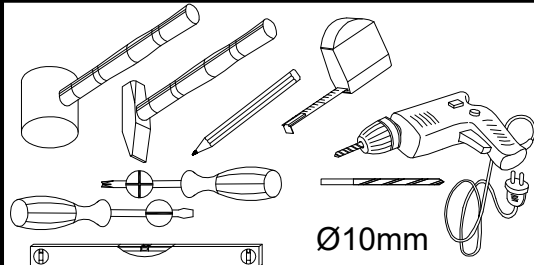
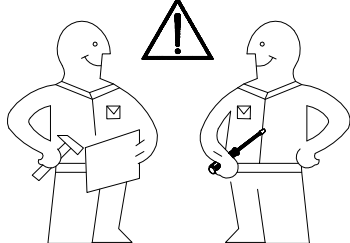
4.0x25mm



V 4

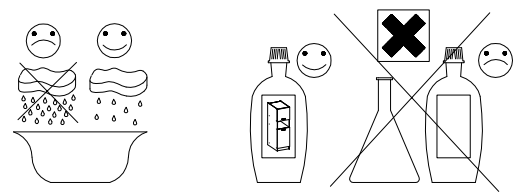




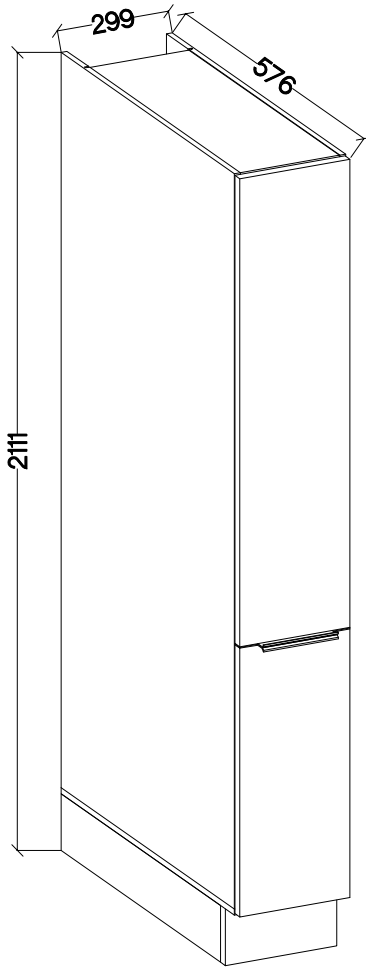


SAFADO / MARLEEN

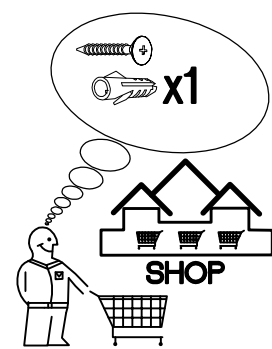
73-152-...
73-15B-...
73-15A-...



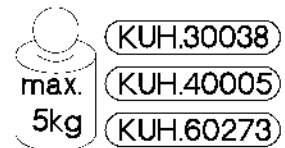
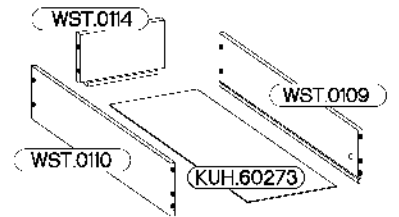
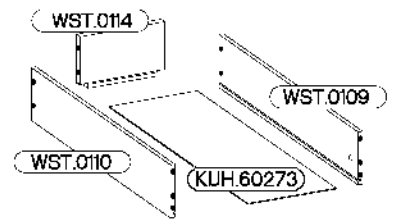
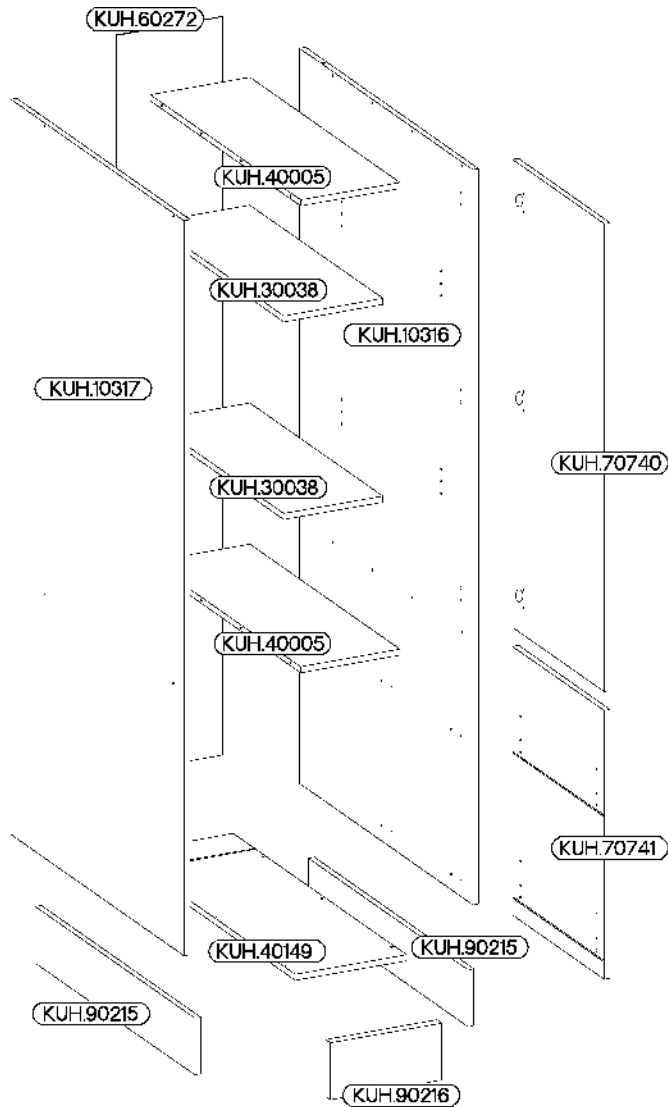
respekta®



 A 16	 B 14	 B2 8	 C5 4	 D2 4	 E1 14	 F15 4	 F16 6	 HG 3	 L=450mm 2	 I11 8	 J3 8
 L25 1	 M2 16	 O 1	 P5 36	 P7 8-10	 P11 6	 R 4	 SL30 2				



ISM-KUH-01606



Colli	Spare Part	Dimension
Colli 1/2	KUH.40005 x2	267x485x16
	KUH.40149	299x560x16
	KUH.70740	1238x296x16
	KUH.90215 x2	515x150x16
	KUH.90216	299x150x16
Colli 2/2	KUH.10316	1945x560x16
	KUH.10317	1945x560x16
	KUH.30038 x2	266x430x16
	KUH.60272	1953x285x2,5
	KUH.60273 x2	448x237x2,5
	KUH.70741	711x296x16
	WST.0109 x2	450x140x12
	WST.0110 x2	450x140x12
WST.0114 x2	227x140x12	

+8x30mm



+6.3x13mm



8

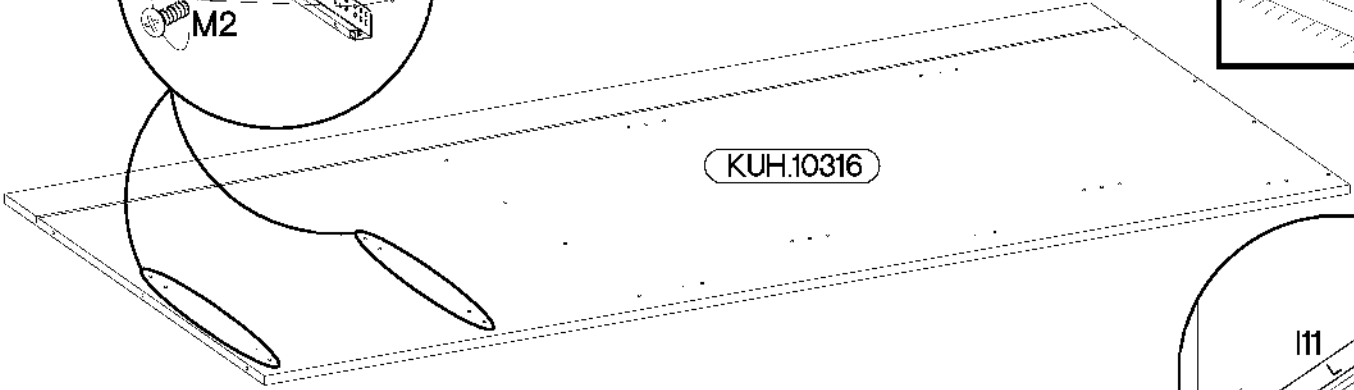
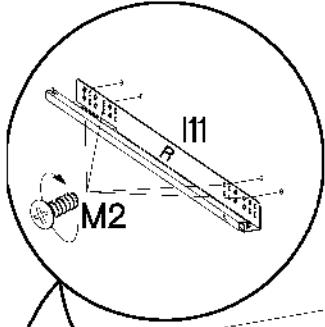
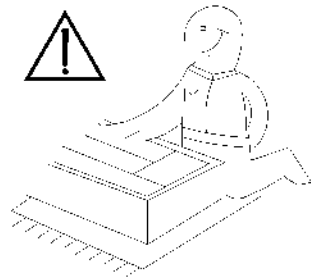
A L=450mm

2

I11

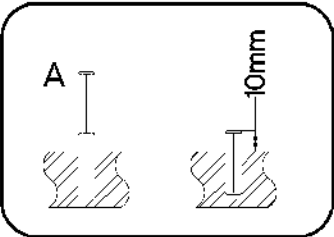
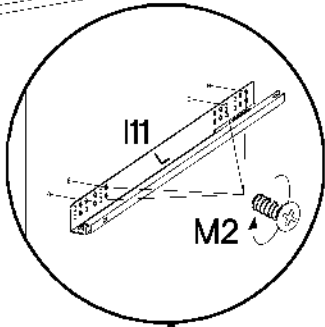
M2

16



KUH.10316

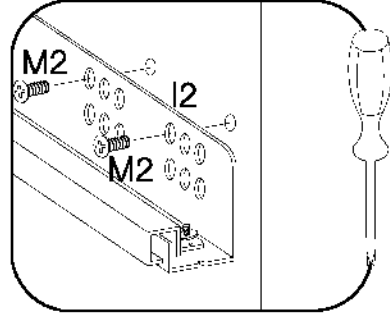
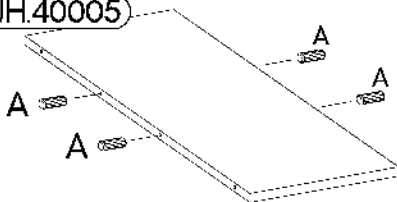
KUH.10317



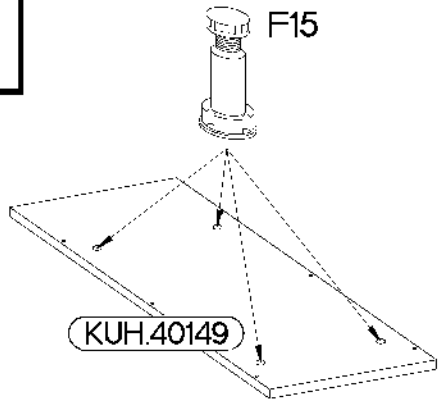
KUH.40005



KUH.40005



2



KUH.40149

+3.5x13mm

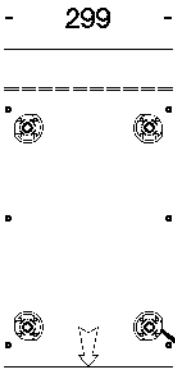


P5

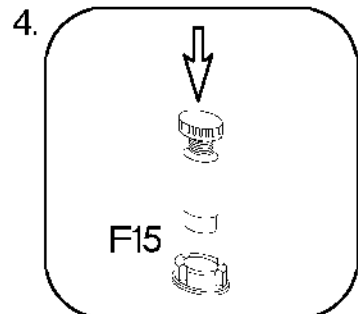
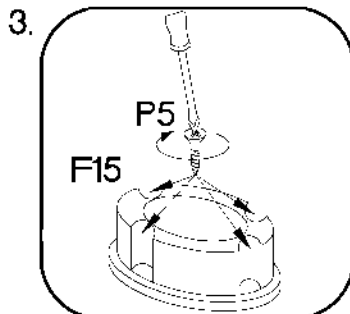
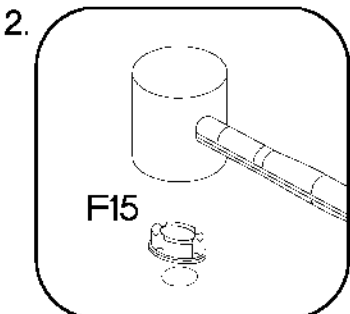
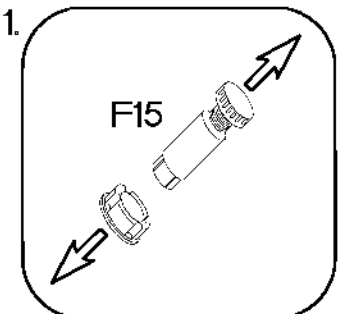
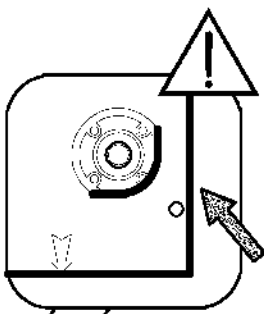
F15

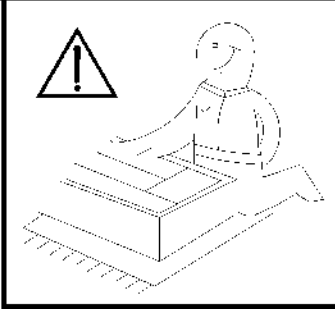
16

4



299





6,4 x 50mm



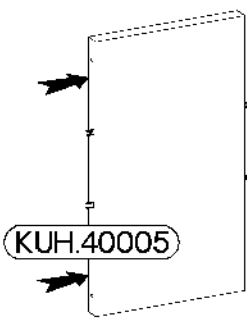
2 B



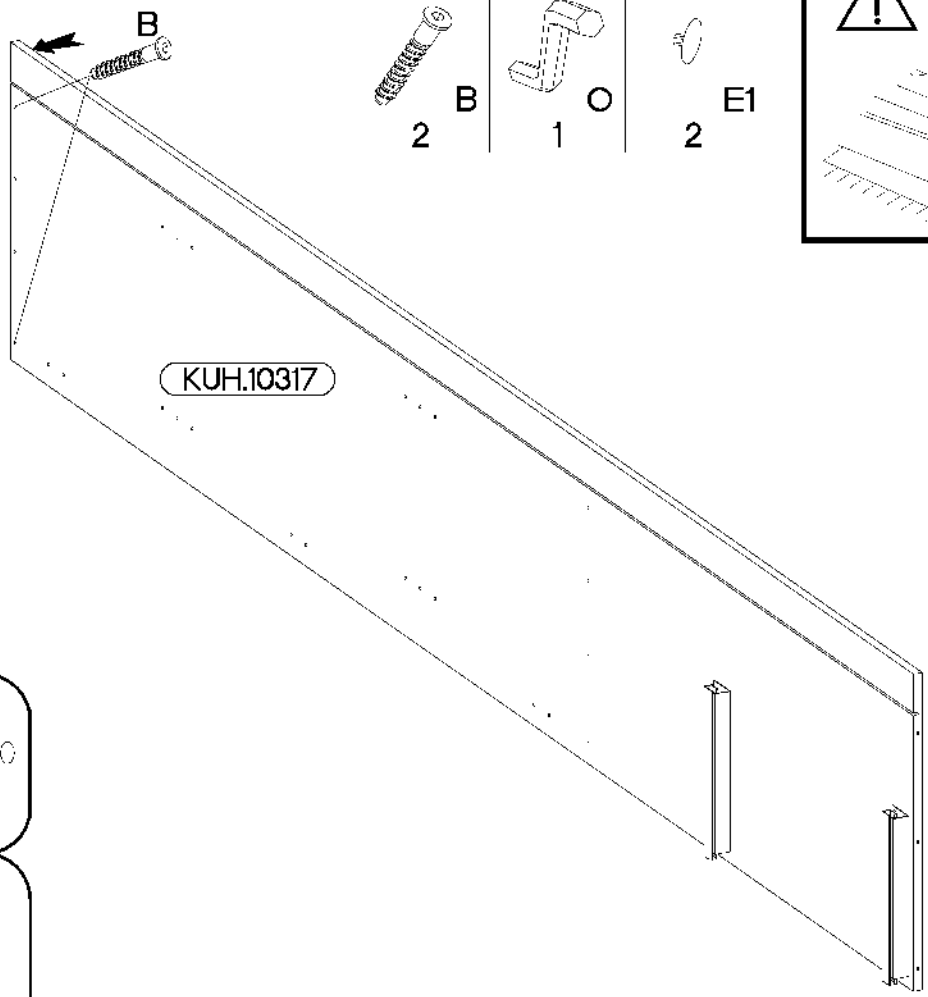
1 O



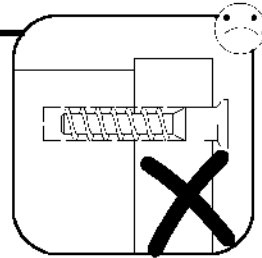
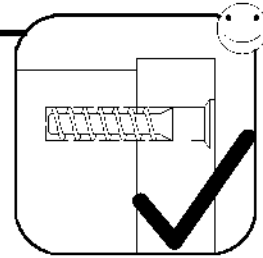
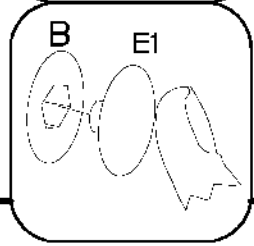
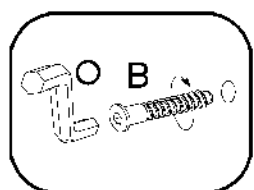
2 E1



KUH.40005



KUH.10317



KUH.40005

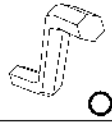
KUH.10317

KUH.40005

6,4 x 50mm



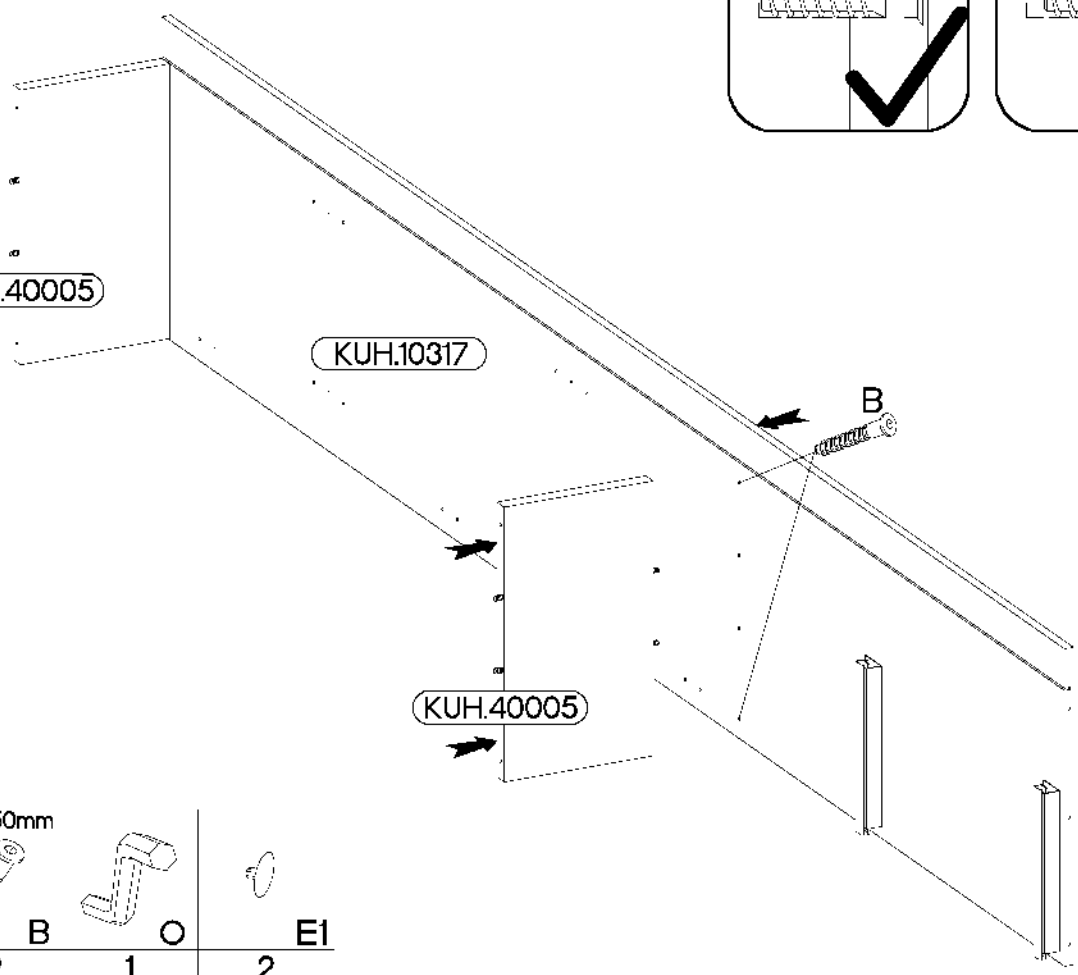
2 B



1 O

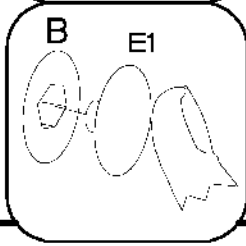
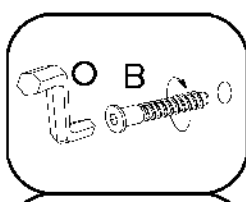
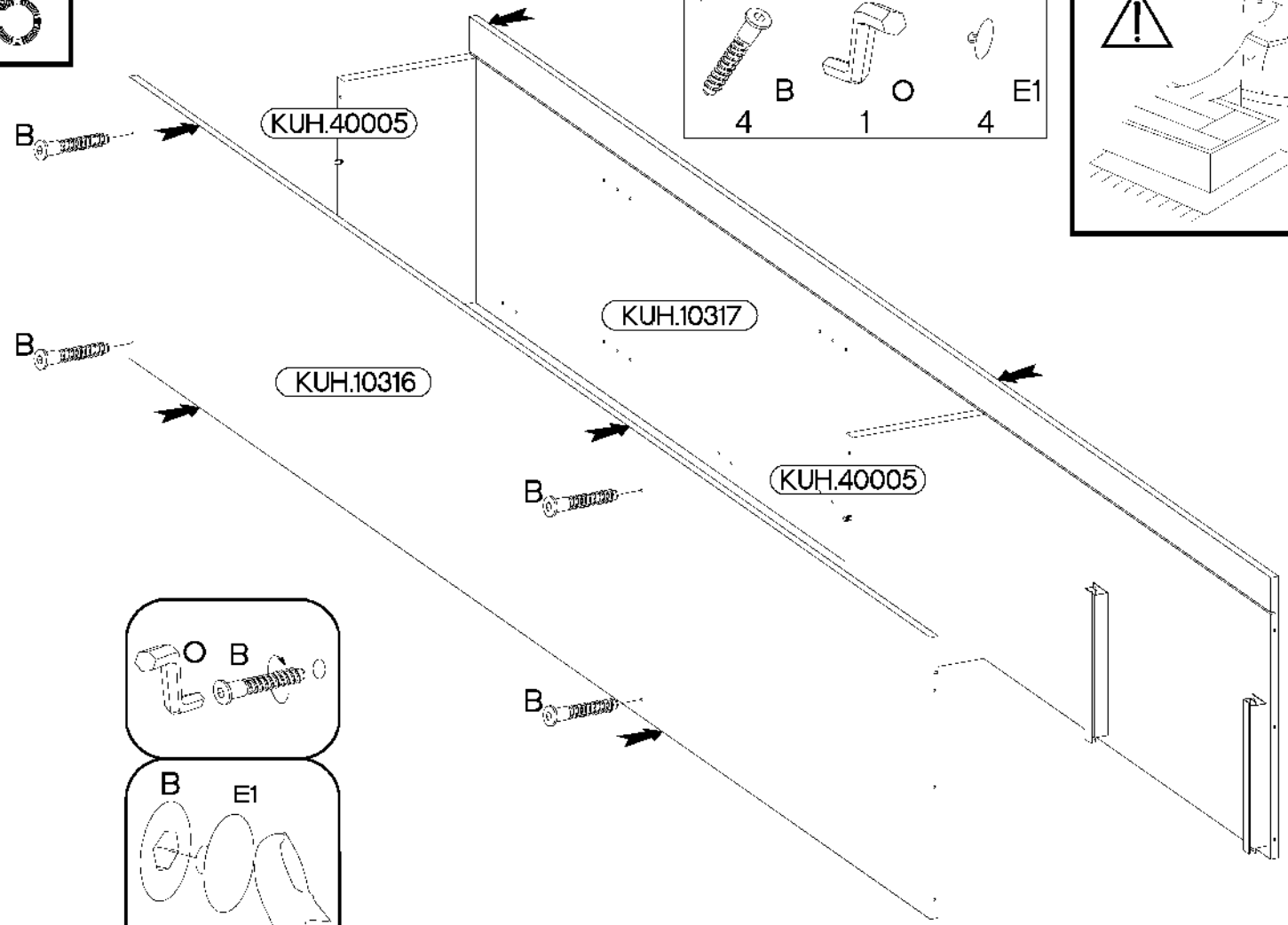
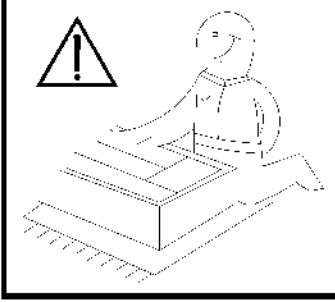
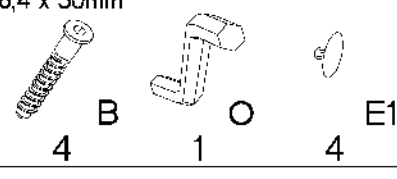


2 E1

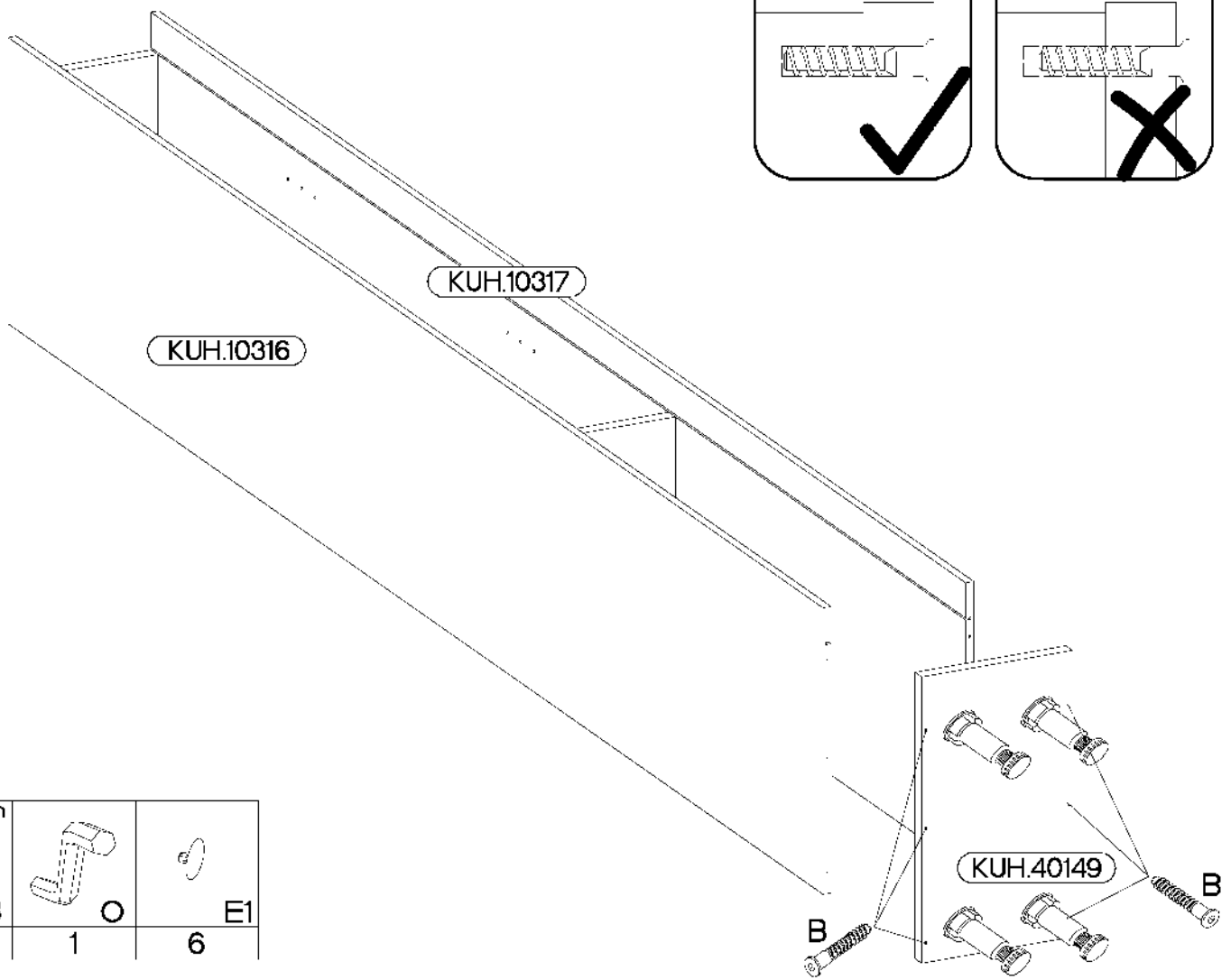
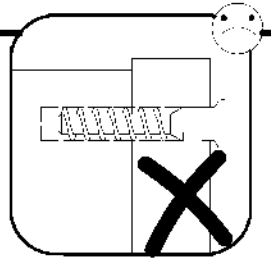
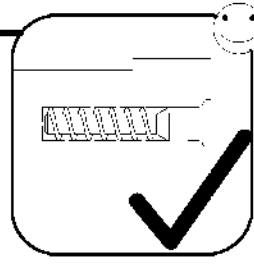


5

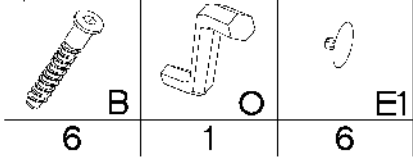
6,4 x 50mm



6



6,4 x 50mm



KUH.40149

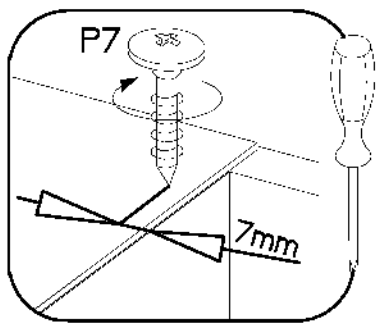
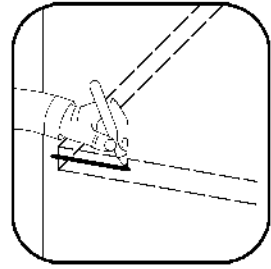
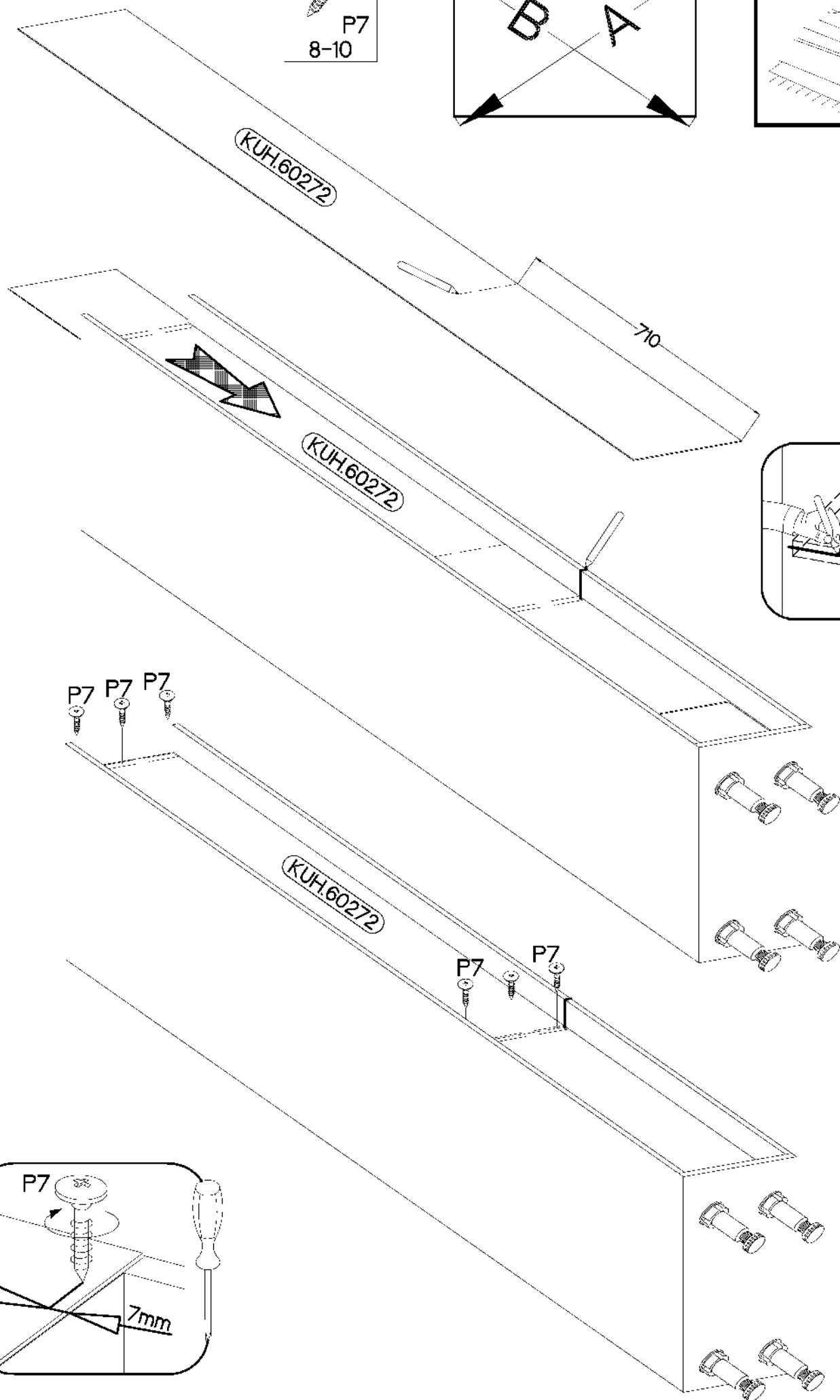
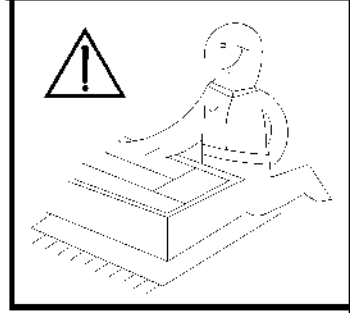
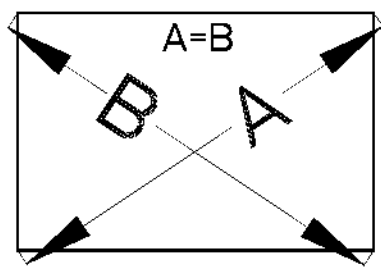


±3.0x20mm



P7

8-10



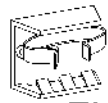


±3.5x13mm



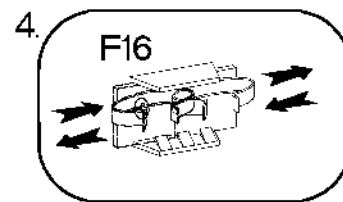
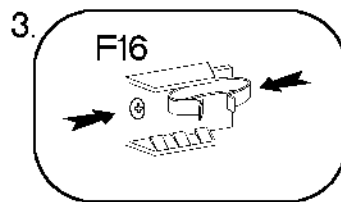
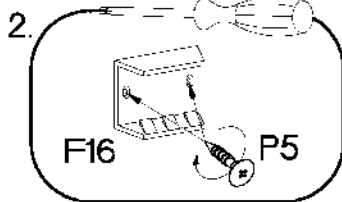
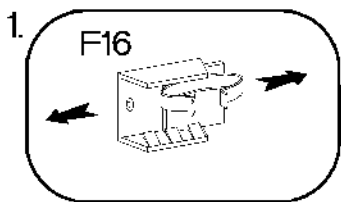
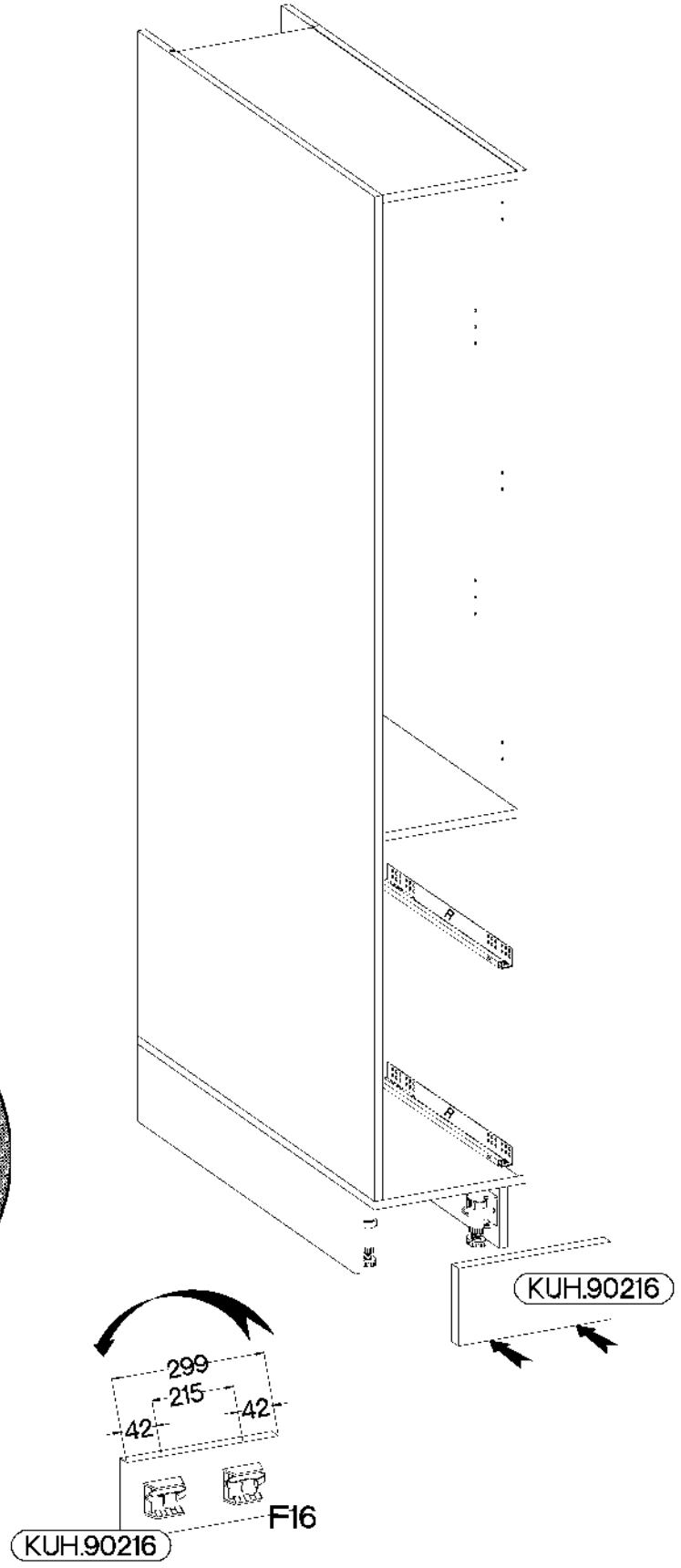
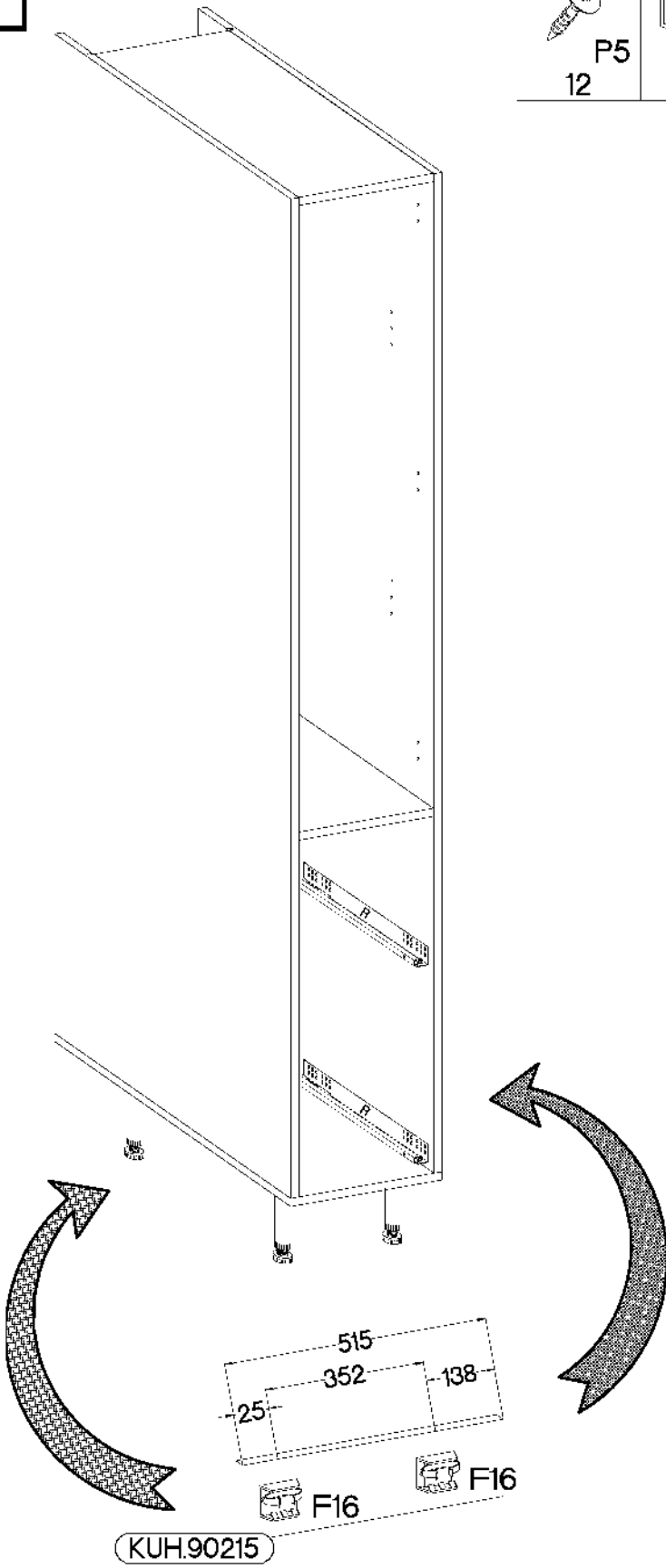
P5

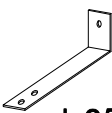

12



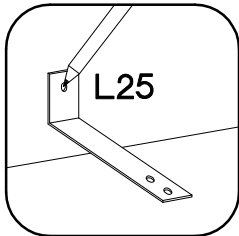
F16

6

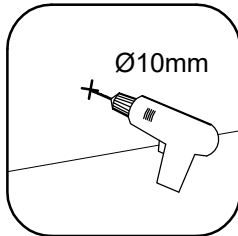


	
L25	P5
1	2

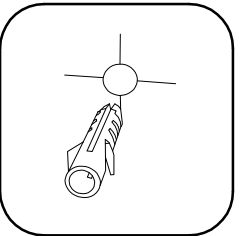
1.



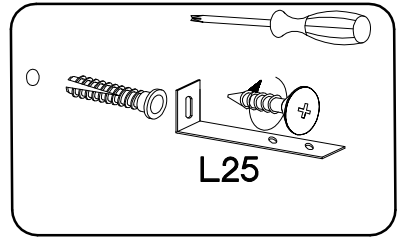
2.



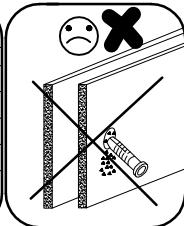
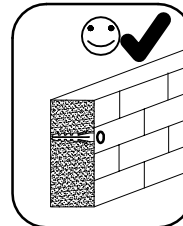
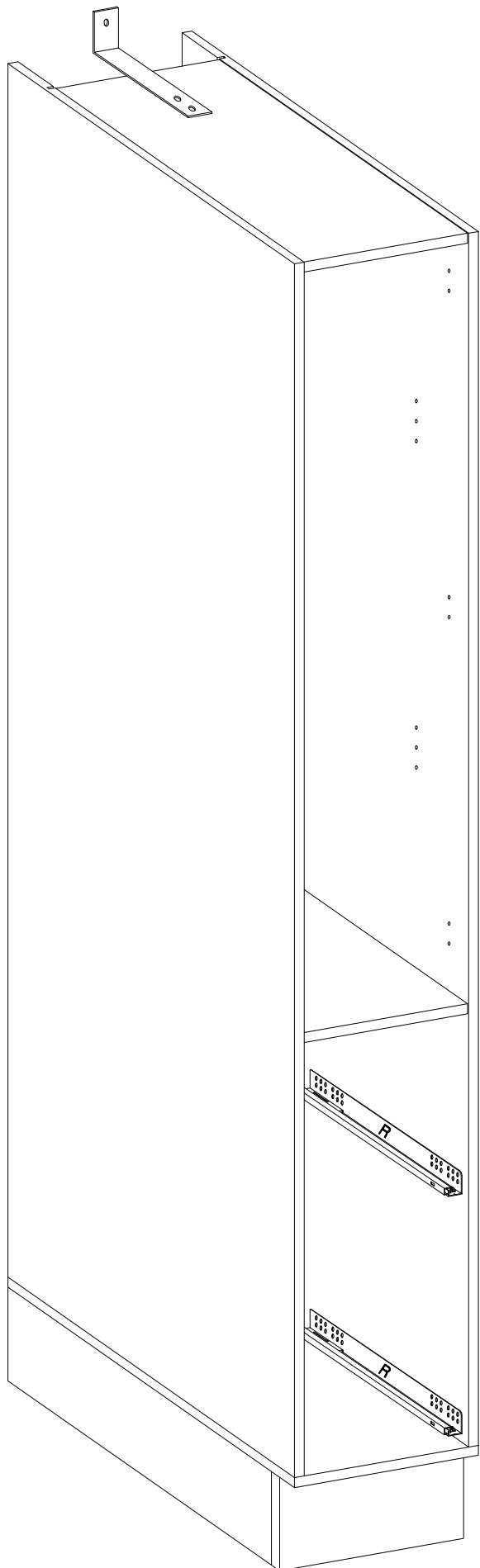
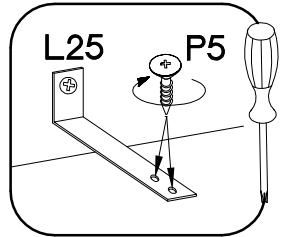
3.



4.



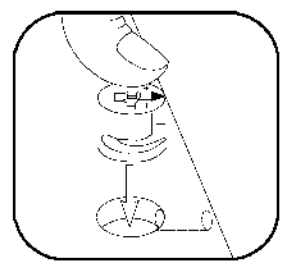
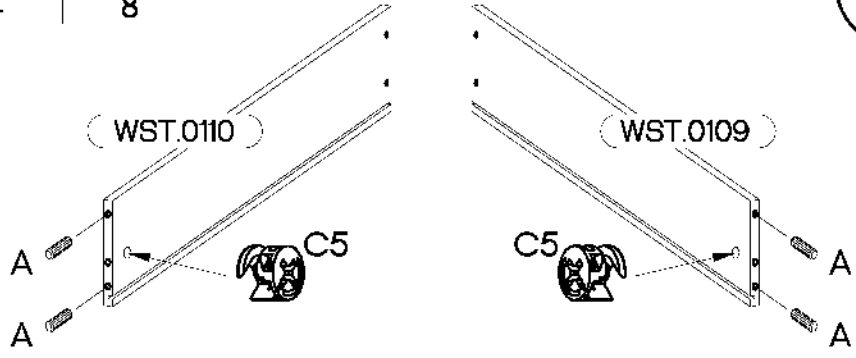
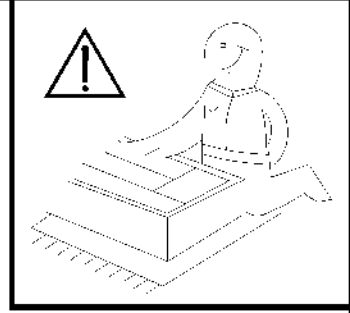
5.



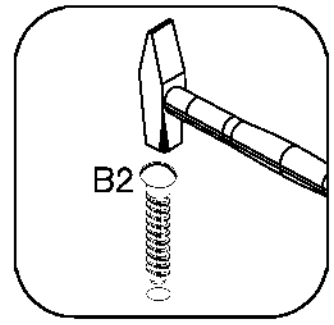
10

- #12/10mm C5 4
- #8x30mm A 8

x2

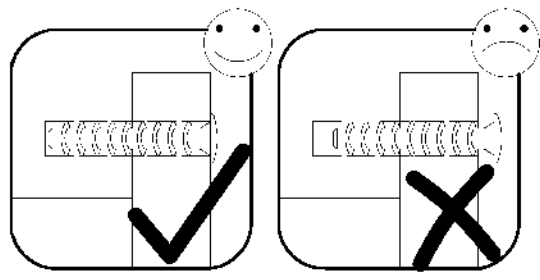
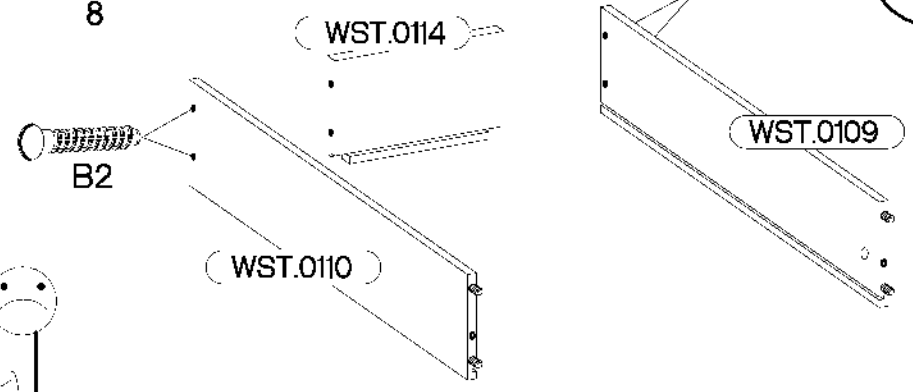


1



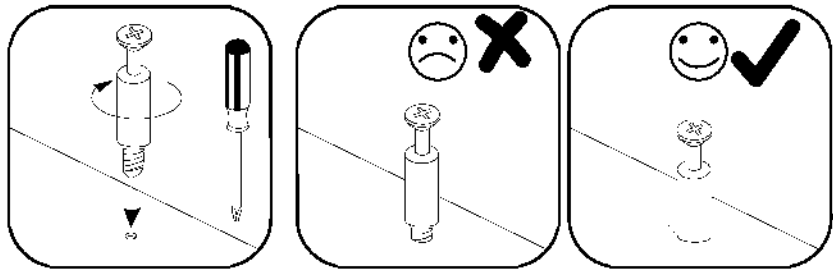
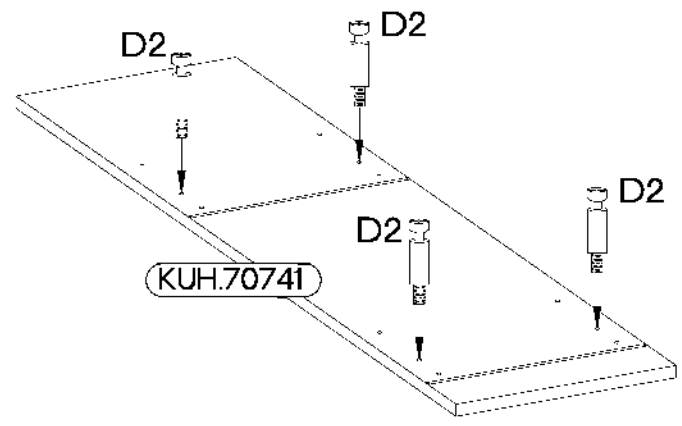
- #6x42mm B2 8

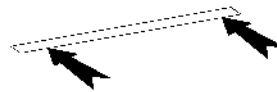
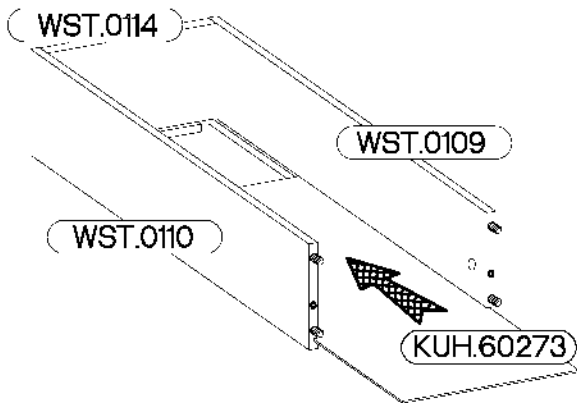
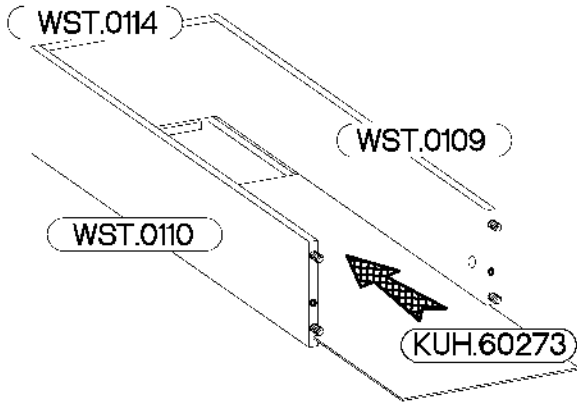
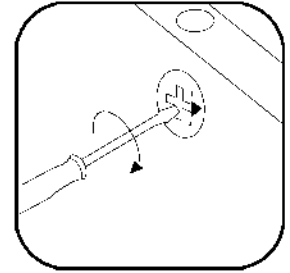
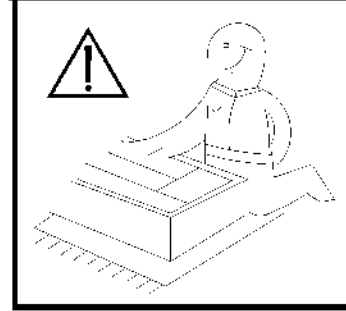
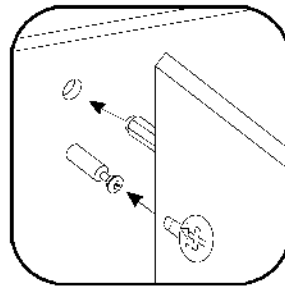
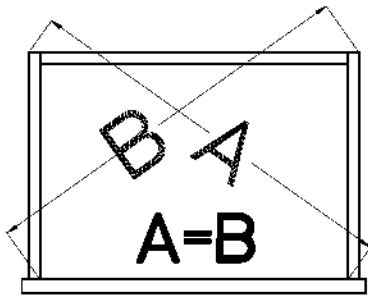
x2



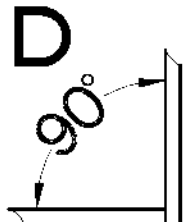
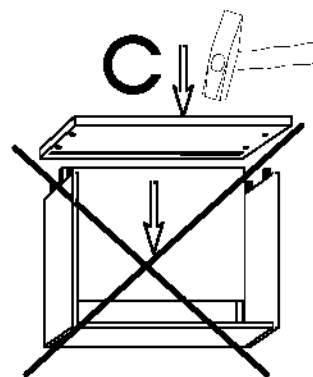
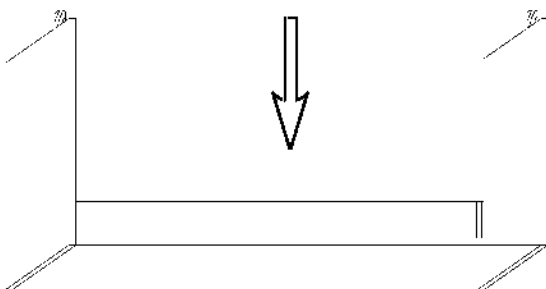
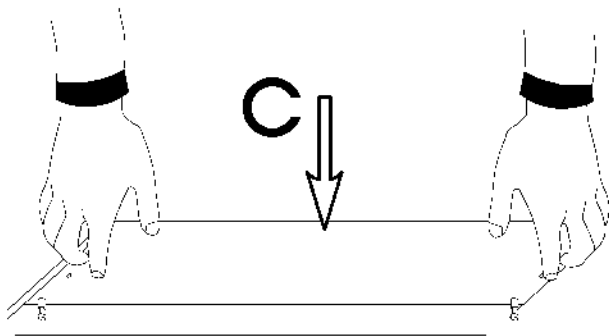
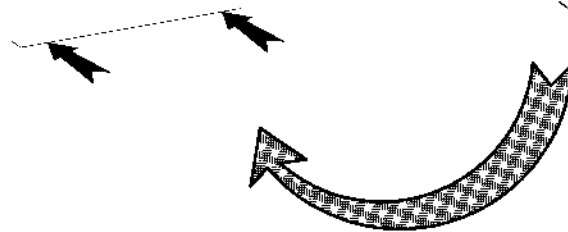
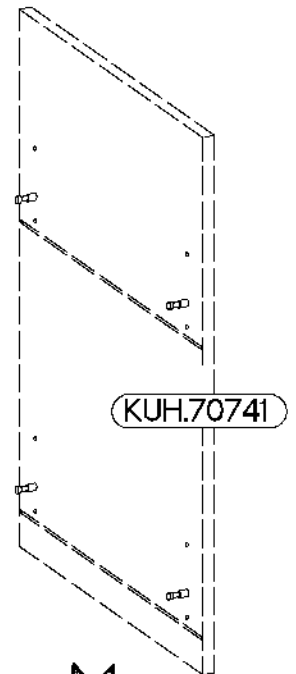
2

- L=20mm D2 4

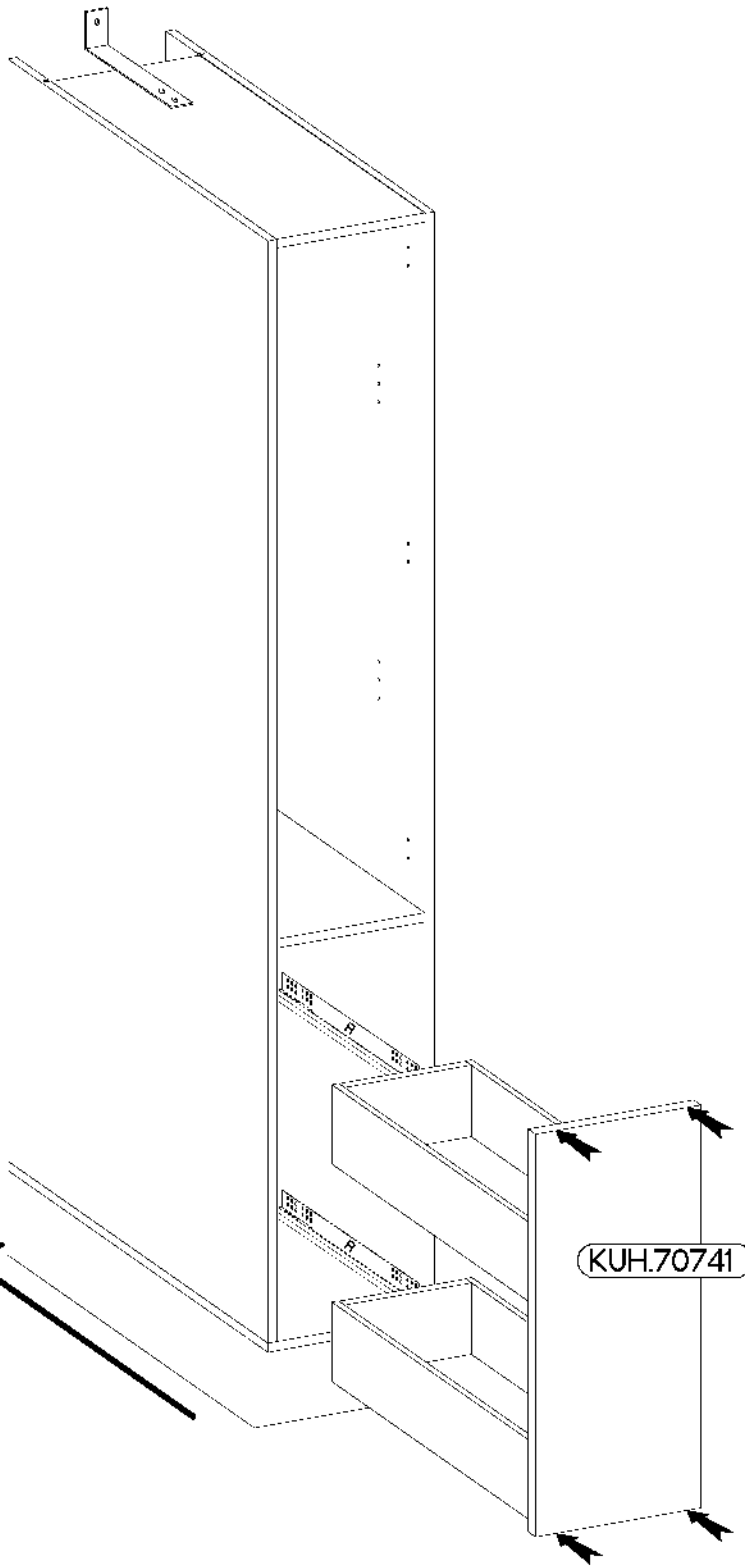




(KUH.70741)

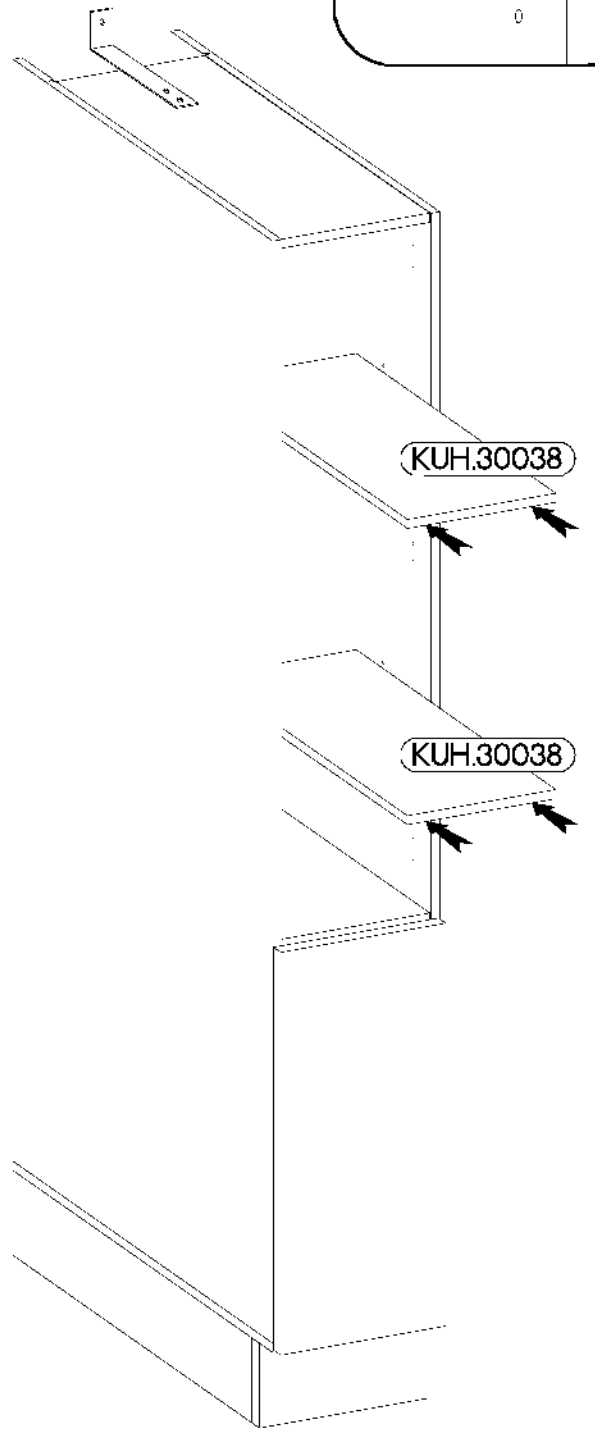
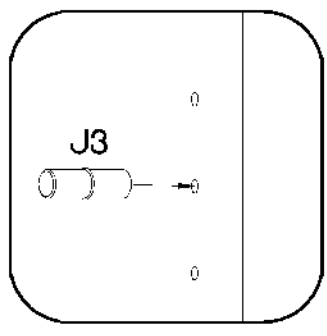


14

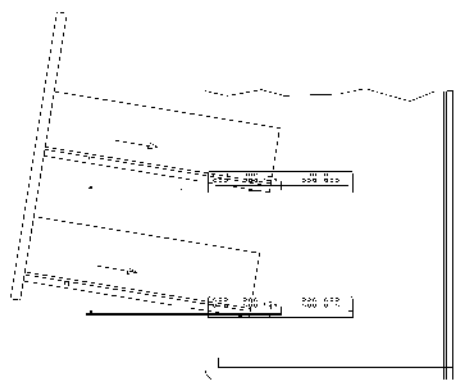


15

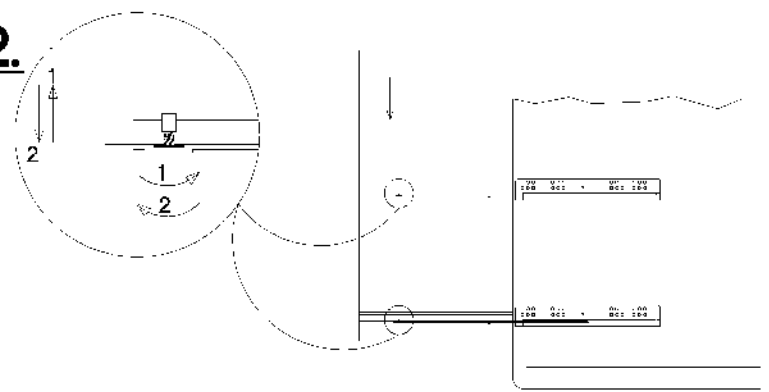
±5/16mm
J3
8



1.

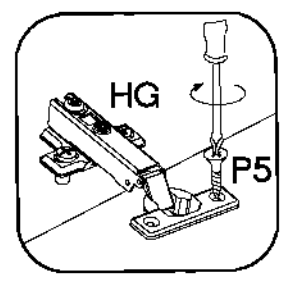
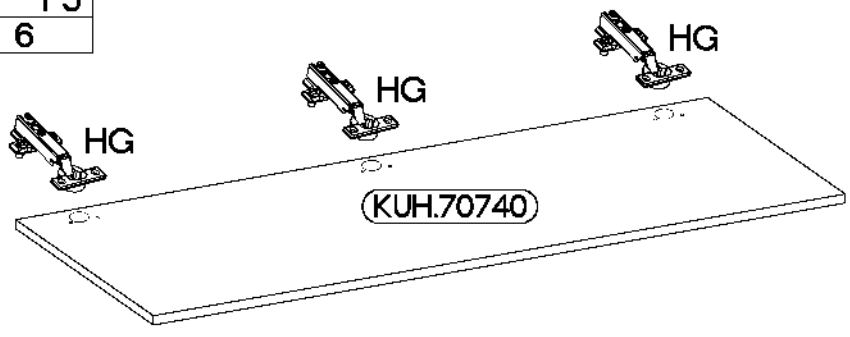


2.

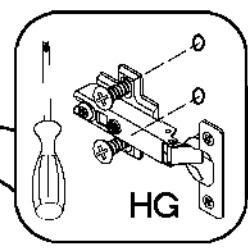
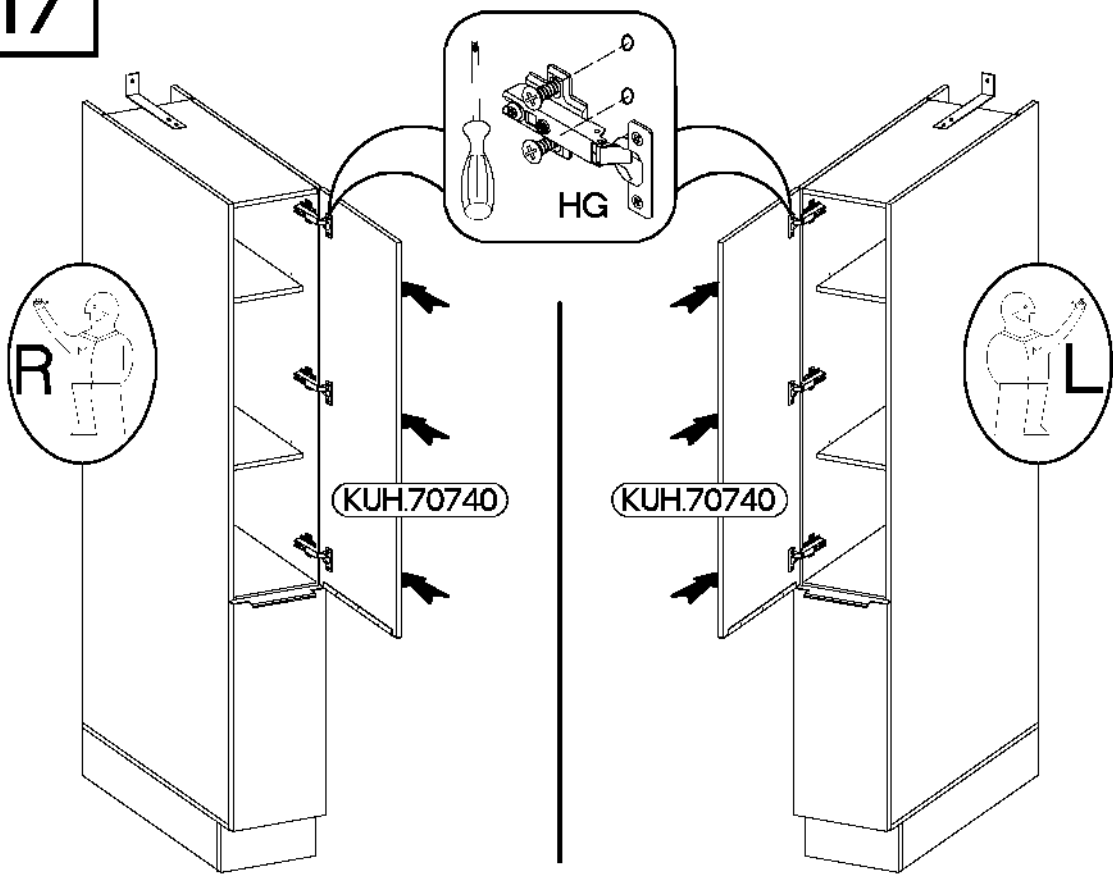


16

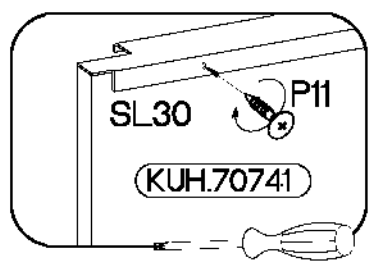
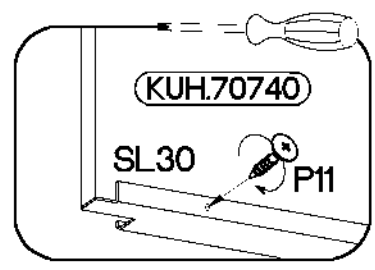
∅35/0mm HG 3	∅3.5x13mm P5 6
--------------------	----------------------



17



∅3.0x16mm P11 6	L=295mm SL30 2
-----------------------	----------------------



VARIANT HIGH GLOSS

